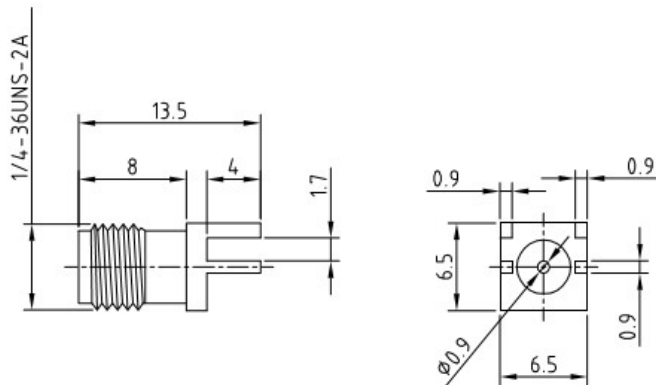
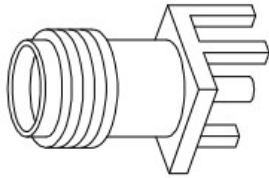
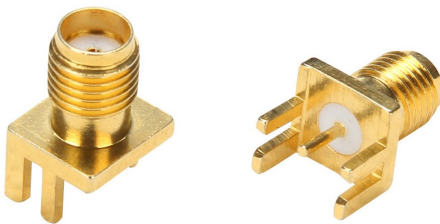


SMA connector specification

Model: SMA-50KE



SMA connector photo:



Description:

A. Material properties:

1. Shell: brass, hard gold;
2. Pin: brass, hard gold plated;
3. Insulator: polytetrafluoroethylene (PTFE);

B. Applicable technical standards: MIL- c-39012, CECC 22110, IEC-60169-15