

## Product Description

Specification parameter

Shell material: thermoplastic PA66

Insulator: thermoplastic PPS high temperature resistant 260

Contact material: copper (gold plated, silver plated)

Sealing ring: silica gel

Housing gender: male female seat

Connection: thread connection

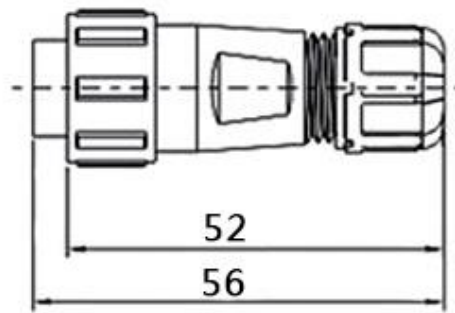
Operating temperature: -35 degrees C~110 degrees C

Relative humidity: 90%~95% (40 + 2 degrees C)

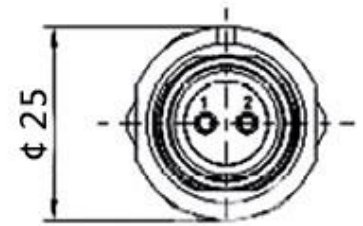
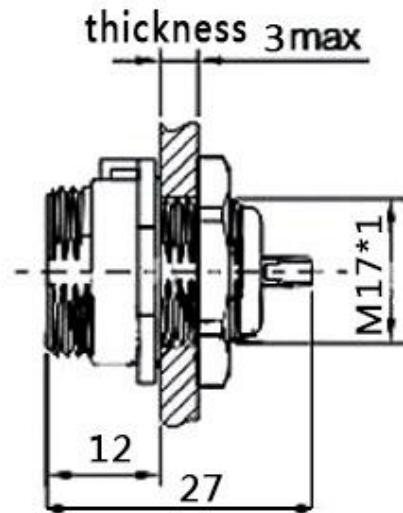
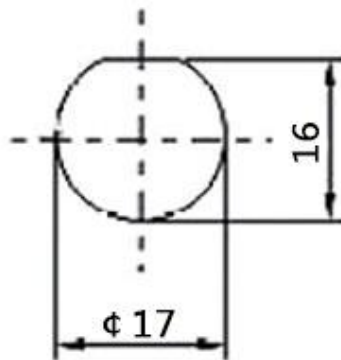
Sealing: in line with IP68

Applicable wire diameter: diameter 5.0~10.0mm

Mechanical life: more than 500 times



• Panel cutout



芯数 Number of cores	2芯	3芯	4芯	5芯	7芯	9芯	
插针绝缘体 正面图 Male contact face view							
额定电流 Rated current(A)	10A	10A	5A	5A	5A	5A	
接触件直径 Contact with a diameter (OD)	Φ1.5x2	Φ1.5x3	Φ1.0x4	Φ1.0x5	Φ1.0x7	Φ1.0x9	
额定电压 Rated voltage(V)	500V	500V	500V	500V	400V	400V	
接触电阻(mΩ) Contact resistance mΩ	2.5	2.5	5	5	5	5	
耐压(AC.V)1min The withstand voltage (AC. V) 1 min	1500V	1500V	1500V	1500V	1200V	1200V	
绝缘电阻(mΩ) Insulation resistance (mΩ)	2000	2000	2000	2000	2000	2000	
线材匹配 Wire Gague	RVV	≤1.5mm <sup>2</sup>	≤1.5mm <sup>2</sup>	≤0.5mm <sup>2</sup>	≤0.5mm <sup>2</sup>	≤0.5mm <sup>2</sup>	≤0.35mm <sup>2</sup>
	AWG	≤2/14	≤2/14	≤0.785/18	≤0.785/18	≤0.785/18	≤0.785/18
线材外径 Cable OD	3.0-6.5MM						
可插拔次数 Mechanical Life	≥500 mating cycles						
工作温度 Operating Rating	-32~110°C						
防水等级 Waterproof Level	IP68						

