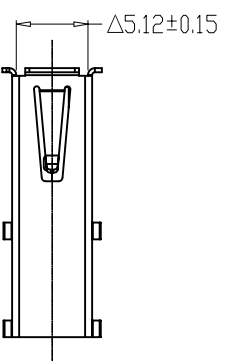
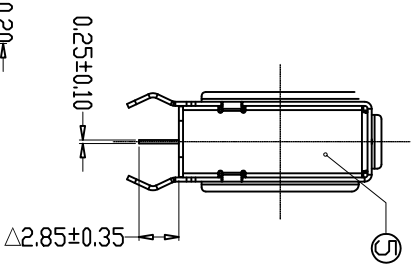
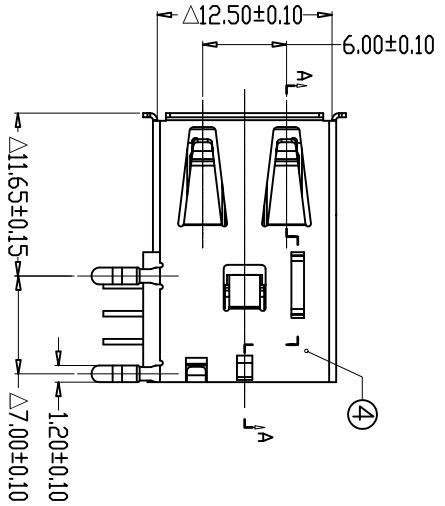
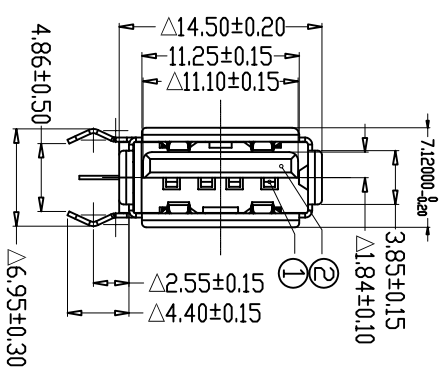


REV.	DESCRIPTION	DATE	DEVISER	APPROVED
A/0	The last word	07.03.06	W.X.Y	

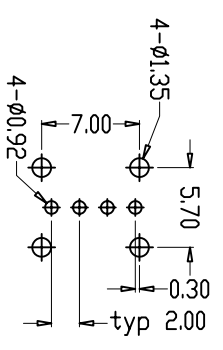


PART NO EXPLAIN:  
USB-A1D02F-□□4□

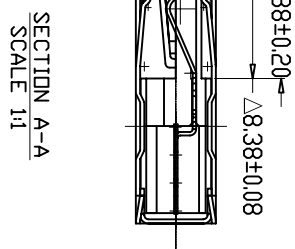
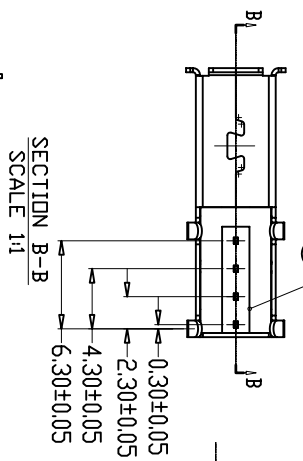
Shell Plate spec: T=Plateg tin, N=Plateg nickel  
Housing Color: B=Black, N=Nature, W=White  
Contact Plate spec: (0=FU", 1=3U", 2=6U", 3=15U", 4=30U")



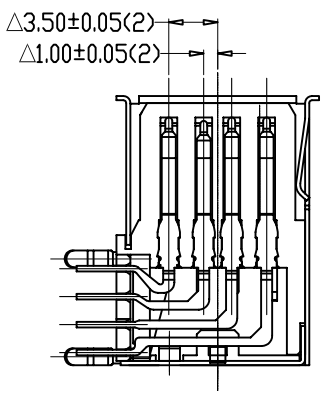
Specification  
 1.Voltage Current Rating:1AMP,30V AC  
 2.Insulation Resistance:1000MΩ Min  
 3.Contact Resistance:30mΩ Max  
 4.Dielectric Withstanding Voltage:500V AC  
 5.Temperature Range:-20°C to +60°C  
 Remark:48Hours Guarantee by -30°C storage temperature  
 6.Insertion Force: 35 Newtons maximum at maximum rate of 12.5 mm(0.492") per minute.  
 7.Extraction Force: 10 Newtons minimum at maximum rate of 12.5 mm(0.492") per minute.



RECOMMENDED P.C.B HOLE LAYOUT  
TOP VIEW(TOLERANCE:±0.05)



NO.	VARIETY	MATERIAL	QT. Y	REMARK
5	Back Shell	SPCC	1	T=0.30 Plateg nickel
4	Up Shell	C2680	1	T=0.30 Plateg nickel
3	Back Plug	P.B.T	1	UL94V-0 Nature/White/Black
2	Housing	P.B.T	1	UL94V-0 Nature/White/Black
1	Contact	C2680	4	T=0.25 Plateg Gold



<b>CZT® DONGGUAN ZHENGDE CONNECTOR CO., LTD</b>				
UNIT: mm	DEVISER: W.X.Y	TITLE: USB A TYPE(FEMALE) SIDE DIP 90°		
3RD: □	DESIGN: W.X.Y	SHEET: 1	PART NO: USB-A1D02F-□□4□	
SCALE: 1:1	APPRD:	CHART NO: 1014-0002	MATE NO:	
REV: A/0	EXAMINE:			