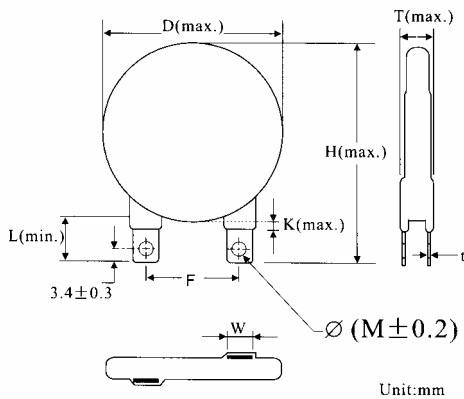


● **40D series**

Model Number 40mm	Maximum Allowable Voltage		Varistor Voltage V 1m (V)	Clamping Voltage (MAX.)		Maximum Peak Current (8/20 $\mu$ s)		Maximum Energy (JOULE) 10/1000 $\mu$ s	Typical Capacitance (Reference) @1KHz (pf)	UL	CSA
	AC (V)	DC (V)		VC (V)	IP (A)	1 time (A)	2 time (A)				
	VCR40D201K	130	170	200(185-225)	340	300	40000	30000	370		
VCR40D241K	150	200	240(216-264)	395	430				8000	*	*
VCR40D271K	175	225	270(243-297)	455	470				7600	*	*
VCR40D331K	210	275	330(297-363)	550	550				6700	*	*
VCR40D361K	230	300	360(324-396)	595	570				6200	*	*
VCR40D391K	250	320	390(351-429)	650	590				5100	*	*
VCR40D431K	275	350	430(387-473)	710	660				4900	*	*
VCR40D471K	300	385	470(423-517)	775	720				4300	*	*
VCR40D511K	320	415	510(459-561)	845	770				4200	*	*
VCR40D621K	385	505	620(558-682)	1025	860				3800	*	*
VCR40D681K	420	560	680(612-748)	1120	900				3500	*	*
VCR40D751K	460	615	750(675-825)	1240	940				3200	*	*
VCR40D781K	485	640	780(702-858)	1290	980				3000	*	*
VCR40D821K	510	670	820(738-902)	1355	1080				2900	*	*
VCR40D911K	550	745	910(819-1001)	1500	1150				2200	*	*
VCR40D951K	575	765	950(855-1045)	1570	1200				2000	*	*
VCR40D102K	625	825	1000(900-1100)	1650	1260				1800	*	*
VCR40D112K	680	895	1100(990-1210)	1815	1380				1600	*	*
VCR40D122K	750	990	1200(1080-1320)	1980	1380				1500		*
VCR40D142K	880	1140	1400(1260-1540)	2310	1550				1300		*
VCR40D162K	1000	1280	1600(1440-1760)	2640	1700	1150		*			

**DIMENSIONS**



D (max.)	45
H (max.)	60.2
T (max.)	Ref.Tab1
F ( $\pm 0.5$ )	25.4
t ( $\pm 0.1$ )	0.5
L (min.)	16.5
K (max.)	3.18
W ( $\pm 0.5$ )	7.0
Ø (M3 $\pm 0.2$ )	3.8

Tab1.

Model	T (max.)	Model	T (max.)
201K	6.2	751K	9.4
241K	6.4	781K	9.6
271K	6.6	821K	9.8
331K	6.9	911K	10.4
361K	7.1	951K	10.6
391K	7.3	102K	11.2
431K	7.5	112K	11.8
471K	7.8	122K	12.3
511K	8.0	142K	13.3
621K	8.7	162K	14.3
681K	9.0		