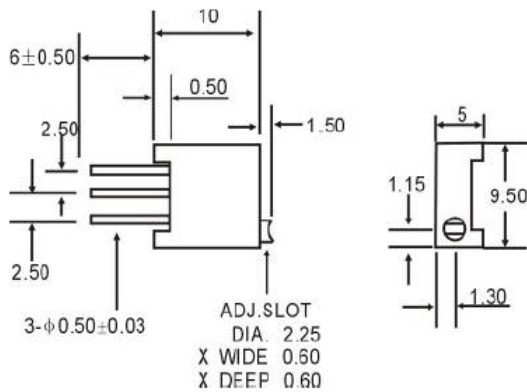


VTR-A-3296 3/8" Square Trimming Potentiometer

Multiturn/ Cermet/ Industrial/ Sealed * 5 Terminal Styles

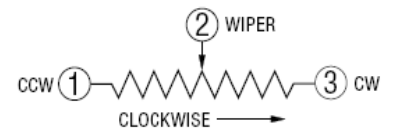
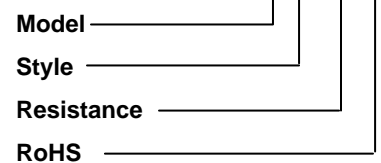
Electrical Characteristics		Environmental Characteristics	
Standard Resistance Range	10ohms - 5Mohms	Power Rating (315volts max)	0.5W@70°C, 0W@125°C
Resistance Tolerance	±10%	Temperature Range	-55°C ~ +125°C
Absolute Min Resistance	≤10ohms (100ohms≤R≤1Kohms)	Temperature Coefficient	±200 or ±100ppm/°C
	≤1%R (R>1Kohms)	Temperature Variation	-55°C, 30min, +125°C
Resistance Taper	Linear		30min, 5 cycles
Contact Resistance Variation	CRV≤3%R or 5ohms		ΔR≤2%R, ΔU ₁₂ /ΔU ₁₃ ≤1%
Insulation Resistance	R ₁ ≥1G ohms(100Vac)	Vibration	10 – 500Hz, 0.75mm, 6h
Withstand Voltage	220V		ΔR≤2%R, ΔU ₁₂ /ΔU ₁₃ ≤1%
Effective Travel	28±2 turns	Collision	390m/s ² , 400cycles, ΔR≤5%R
Starting Torque	≤35mN·m		Electrical Endurance at 70°C
		Marking	Resistance Code, Model
Standard Packaging	50pcs, per tube		

Common Dimensions

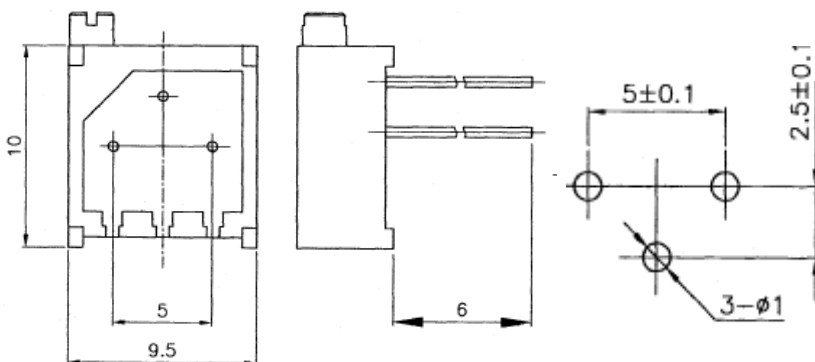


How To Order

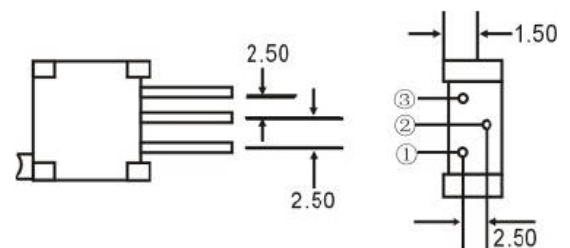
VTR-A-3296P-103-R



VTR-A-3296P



VTR-A-3296Y

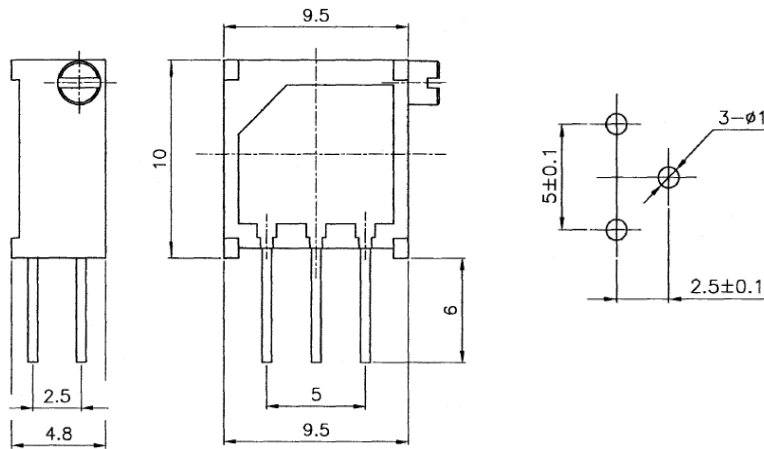


Note: Specification are subject to change without notice. For more updated information, please visit our website.

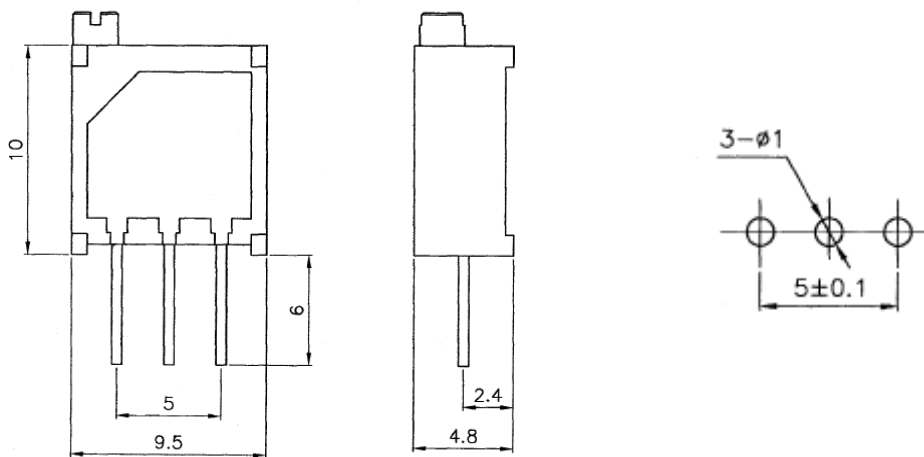
VTR-A-3296 3/8" Square Trimming Potentiometer

Multiturn/ Cermet/ Industrial/ Sealed * 5 Terminal Styles

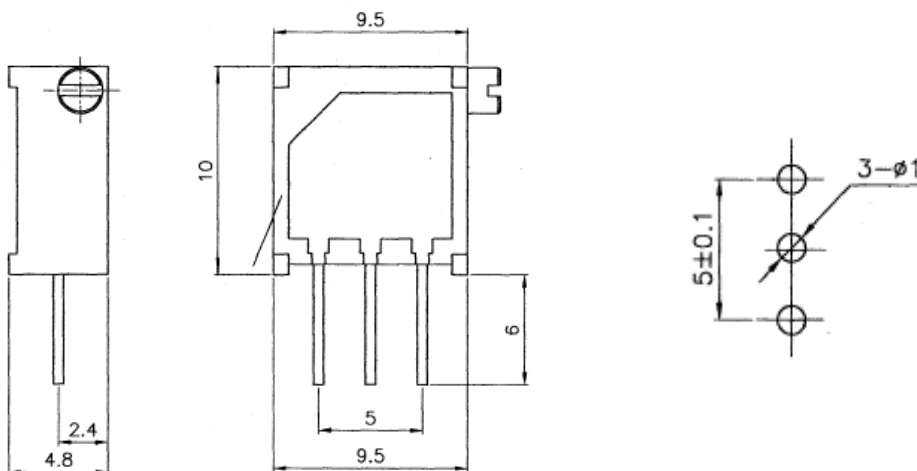
VTR-A-3296Z



VTR-A-3296W



VTR-A-3296X



Note: Specification are subject to change without notice. For more updated information, please visit our website.