

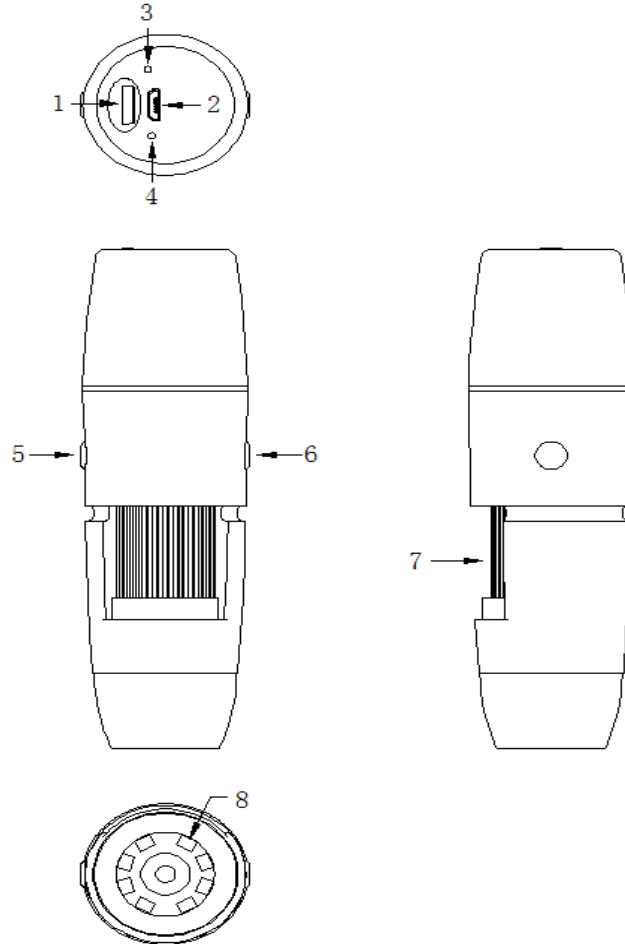
□□□□□

□□□□□□

WiFi Digital Microscope

(for iOS/Android)

1. Components and Functions



NO.	Function
1	LED light wheel
2	USB slot
3	Indicator light
4	Reset hole
5	Power button
6	Camera/Video
7	Focus wheel
8	LED lights

Technical Parameter:

Magnification: 50X-1000X

Lens construction: 2G+IR

Lens angle: 16° (it depends on the lens)

Illuminant: 8 SMD3528 bright white lights(brightness adjustable)

Focus mode and focusing range: manual,0~40mm

Imaging distance: 3mm to infinity

Sensor sizes: 1/7.5"

Signal Noise Ratio: 45db

Sensitivity: 3V/lux-sec

Video recording format: AVI

Video resolution: 640*480

Picture format: JPG

Operating range: 0-10m(empty scene,shaded scene will affect the working range)

Operating hours: ≥90 minutes(at full charge,the battery life also affects the working time)

Power supply mode: 650mahbuilt-in lithium battery

Charging demand: DC-5V/1A

Operating current: ~270mA

Product color: black(specific subject to the kind)

WiFi working environment: Android 5.0 or above,IOS 8.0 or above

WiFi working environment supporting equipment requirements: support 2.4 GHz (802.11b/g /n) wireless data transmission equipment

Operating temperature: 0°C ~ 40°C

Storage temperature: -10°C ~ 60°C

Operating humidity: 30%~60%RH

Storage humidity: 10-80%RH

If you have any questions, please contact us

The final interpretation right belongs to our company