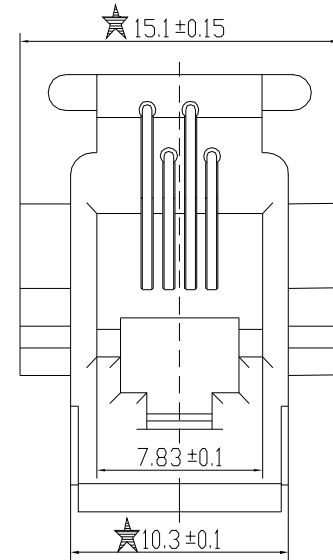
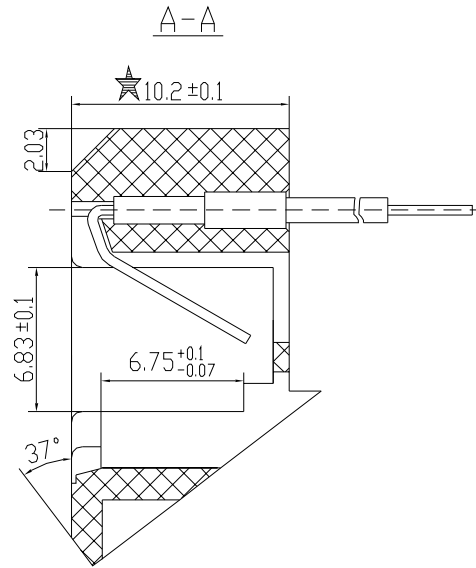
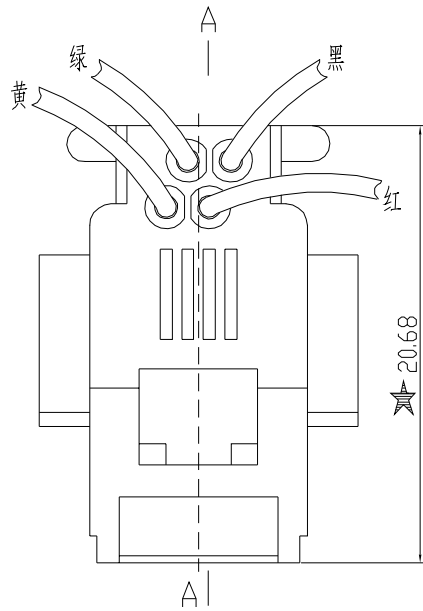
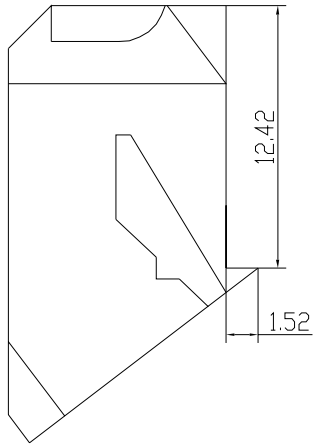


YH-103

REV.	ECN NO.	DATE



- NOTES:
- ELECTRICAL:
 - VOLTAGE RATING: 125 VAC RMS;
 - CURRENT RATING: 1.5 AMP;
 - CONTACT RESISTANCE: 20 MILLIOHMS Max;
 - INSULATION RESISTANCE: 1000 MEGOHMS Min @500 VDC;
 - DIELECTRIC STRENGTH: 1000 VAC RMS 50 or 60Hz 1 Minute;
 - MECHANICAL:
 - HOUSING: ABS, UL94V-0, GRAY;
 - TERMINALS: DIA 0.46 PHOSPHOR BRONZE PLATED 3u" Au;
 - DURABILITY: 750 CYCLES Min.
3. ★★Critical Dimension.

RoHS Compliant

CZT® 意华通讯连接器有限公司 YIHUA COMMUNICATED CONNECTOR CO.,LTD.		TOLERANCES 0~15: ±0.15 15~30: ±0.20 30~ : ±0.25 ANGLES: ±1°		MATERIAL: SEE NOTE FINISH:		Designed:		NAME: 616W 4P4C	
SCALE 3:1 UNIT mm CUSTOMER: MODEL NO.:		SHEET 1 OF 1		Checked:		Approved:		DWG NO.: Q07081003 PART NO.: B212N-4403-F003	
FIRST ANGLE PROJECTION		SIZE 4		REV 00		REV 00		REV 00	