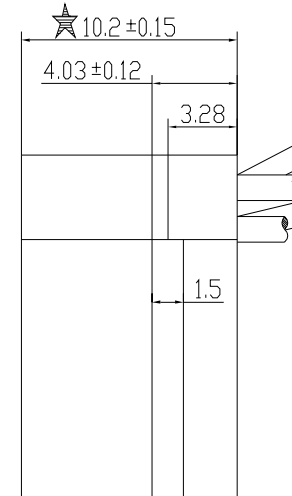
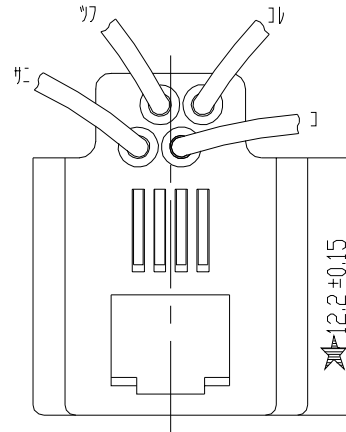
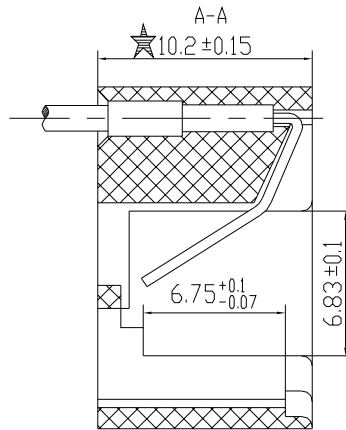
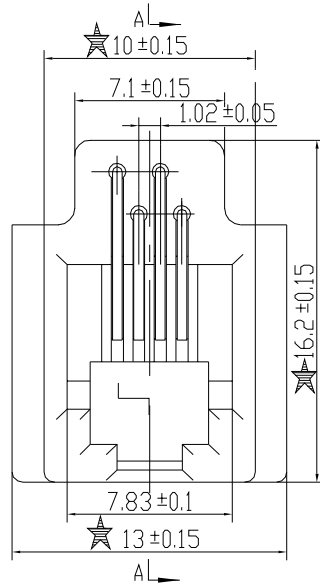


YH-106

REV.	ECN NO.	DATE



NOTES:

1. ELECTRICAL:
 - 1.1 VOLTAGE RATING: 125 VAC RMS;
 - 1.2 CURRENT RATING: 1.5 AMP;
 - 1.3 CONTACT RESISTANCE: 20 MILLIOHMS Max;
 - 1.4 INSULATION RESISTANCE: 1000 MEGOHMS Min @500 VDC;
 - 1.5 DIELECTRIC STRENGTH: 1000 VAC RMS 50 or 60Hz 1 Minute;
2. MECHANICAL:
 - 2.1 HOUSING: ABS, UL94V-0, GRAY;
 - 2.2 TERMINALS: DIA 0.46 PHOSPHOR BRONZE PLATED 3u" Au;
 - 2.3 DURABILITY: 750 CYCLES Min.
3. ★★Critical Dimension.

RoHS Compliant

意华通讯连接器有限公司 YIHUA COMMUNICATED CONNECTOR CO.,LTD.	TOLERANCES		MATERIAL: SEE NOTE	Designed:	NAME: 616MS 4P4C	
	0~15±0.15, 15~30±0.2, 30~±0.25 ANGLE ±1°.		FINISH:	Checked:	DWG NO.: Q07081006	REV
FIRST ANGLE PROJECTION	SCALE 3:1	UNIT mm	SHEET 1 OF 1	Approved:	PART NO.: B209N-4403-F002	00
SIZE	CUSTOMER:	MODEL NO.:				