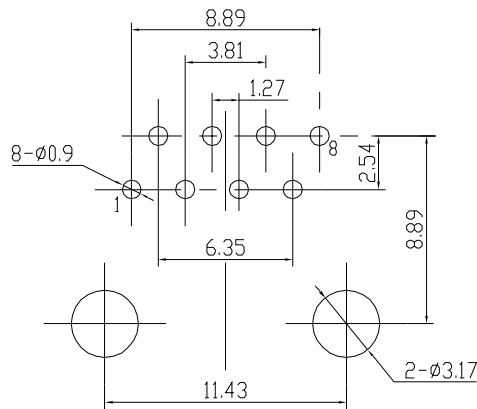
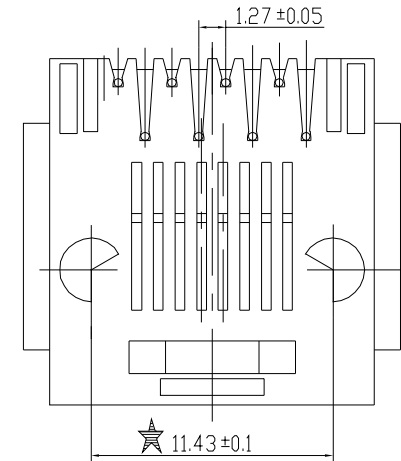
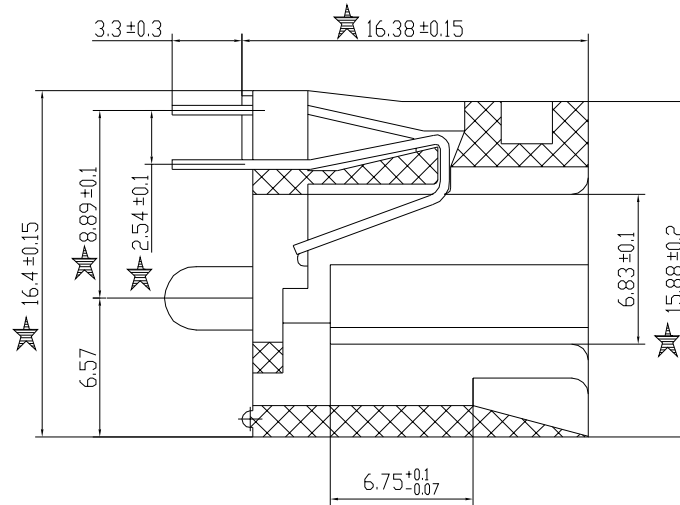
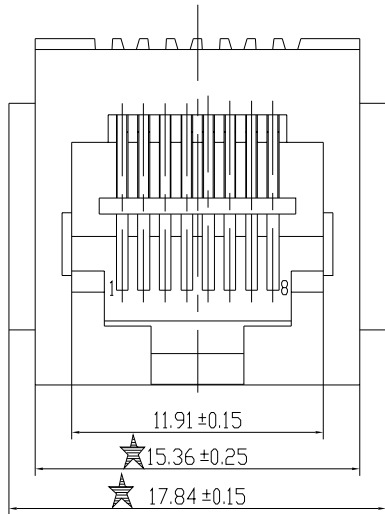


YH-52-09

REV.	ECN NO.	DATE



NOTES:

1. ELECTRICAL:
  - 1.1 VOLTAGE RATING: 125 VAC RMS;
  - 1.2 CURRENT RATING: 1.5 AMP;
  - 1.3 CONTACT RESISTANCE: 20 MILLIOHMS Max;
  - 1.4 INSULATION RESISTANCE: 1000 MEGOHMS Min @500 VDC;
  - 1.5 DIELECTRIC STRENGTH: 1000 VAC RMS 50 or 60Hz 1 Minute;
2. MECHANICAL:
  - 2.1 HOUSING: PBT, UL94V-0, BLACK;
  - 2.2 TERMINALS: DIA 0.46 PHOSPHOR BRONZE PLATED 3u" Au;
  - 2.3 DURABILITY: 750 CYCLES Min.
3. ★Critical Dimension.

RoHS Compliant

PCB LAYOUT

<b>CZT® 意华通讯接插件有限公司</b> YIHUA COMMUNICATED CONNECTOR CO.,LTD.		TOLERANCES 0~15 ±0.15, 15~30 ±0.2, 30~±0.25 ANGLE ±1°.		MATERIAL: SEE NOTE FINISH: SEE NOTE SHEET 1 OF 1		Designed: Checked: Approved:		NAME: 5222 8P8C (MOON PEG) DWG NO.: Q07081403 PART NO.: B522N-8803-M021		REV 00
FIRST ANGLE PROJECTION	SIZE 4	SCALE 3:1	UNIT mm	CUSTOMER: MODEL NO.:						