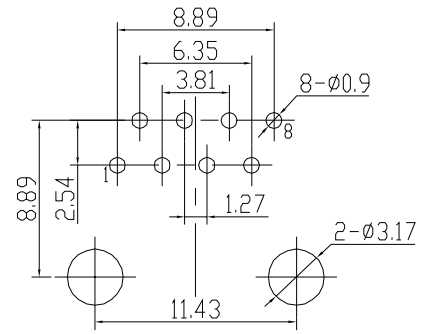
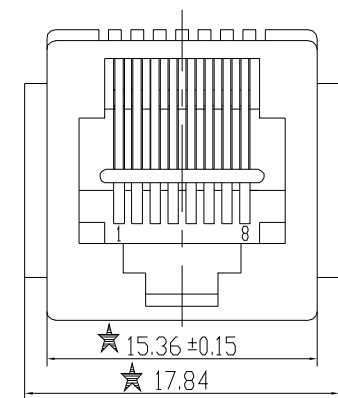
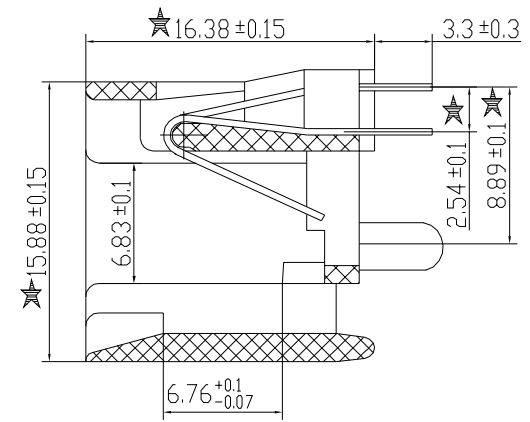
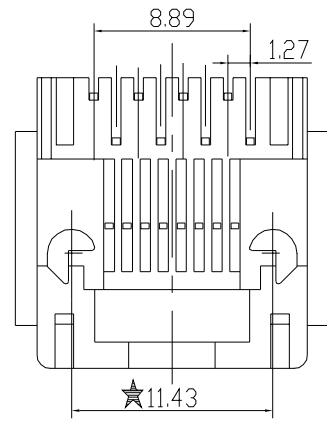
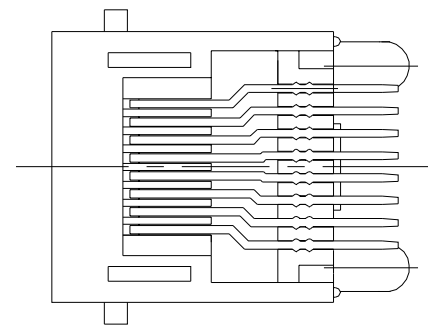


YH-52-32

REV.	ECN NO.	DATE



PCB LAYOUT



- NOTES:
1. ELECTRICAL:
 - 1.1 VOLTAGE RATING: 125 VAC RMS;
 - 1.2 CURRENT RATING: 15 AMP;
 - 1.3 CONTACT RESISTANCE: 20 MILLIOHMS Max;
 - 1.4 INSULATION RESISTANCE: 1000 MEGOHMS Min @500 VDC;
 - 1.5 DIELECTRIC STRENGTH: 1000 VAC RMS 50 or 60Hz 1 Minute;
 2. MECHANICAL:
 - 2.1 HOUSING: PBT, UL94V-0, BLACK;
 - 2.2 TERMINALS: 0.36*0.46 PHOSPHOR BRONZE PLATED 3u' Au;
 - 2.3 DURABILITY: 750 CYCLES Min.
 3. ★ Critical Dimension.

RoHS Compliant

意华通讯接插件有限公司 YIHUA COMMUNICATED CONNECTOR CO.,LTD.	TOLERANCES		MATERIAL: SEE NOTE	Designed:	NAME: 5223 8P8C	
	0~15±0.15, 15~30±0.2, 30~±0.25		FINISH: SEE NOTE	Checked:	DWG NO.: Q07081307	REV
FIRST ANGLE PROJECTION SIZE 2.5:1	SCALE	UNIT	CUSTOMER:	Approved:	PART NO.: B523N-8803-M004	00
MODEL NO.:	2.5:1	mm		SHEET 1 OF 1		