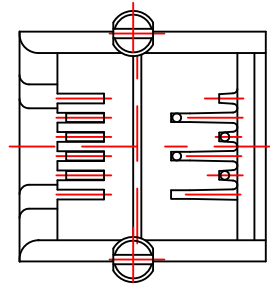
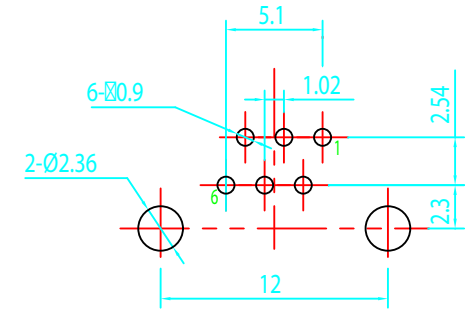


YH-55-04

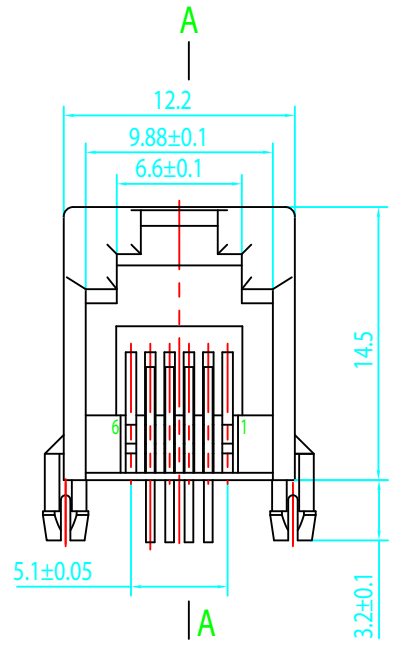
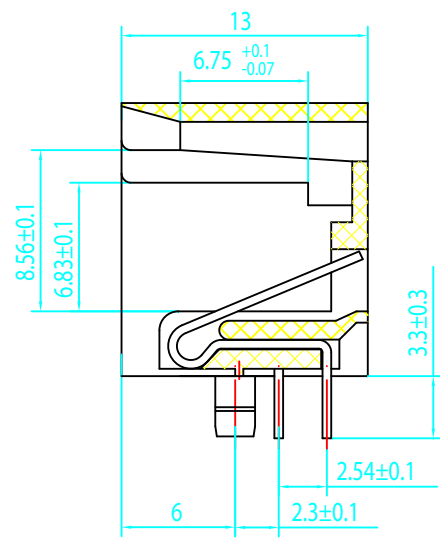
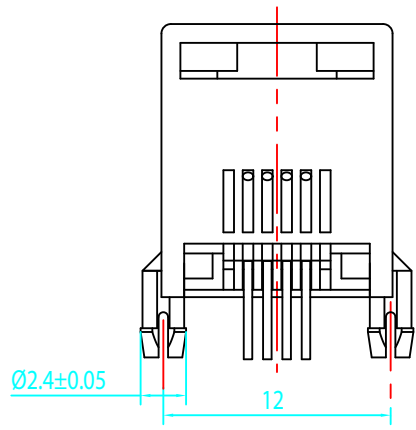
REV.	ECN NO.	DATE



A-A



PCB LAYOUT



- NOTES:
- ELECTRICAL:
    - VOLTAGE RATING: 125 VAC RMS;
    - CURRENT RATING: 1.5 AMP;
    - CONTACT RESISTANCE: 20 MILLIOHMS Max;
    - INSULATION RESISTANCE: 1000 MEGOHMS Min @500 VDC;
    - DIELECTRIC STRENGTH: 1000 VAC RMS 50 or 60Hz 1 Minute;
  - MECHANICAL:
    - HOUSING: PBT, UL94V-0, GRAY;
    - TERMINALS: DIA 0.46 PHOSPHOR BRONZE PLATED 3u" Au;
    - DURABILITY: 750 CYCLES Min.
- 3" \*Critical Dimension.

RoHS Compliant

<b>意通接插件有限公司</b> YIHUA COMMUNICATED CONNECTOR CO.,LTD.	<b>TOLERANCES</b> 0~15: ±0.15 15~30: ±0.20 30~ : ±0.25 ANGLES: ±1°			<b>MATERIAL:</b> SEE NOTE	<b>Designed:</b>	<b>NAME:</b> 5521 6P4C	
	<b>SCALE</b> A4 <b>UNIT</b> mm <b>CUSTOMER:</b> <b>MODEL NO.:</b>	<b>FINISH:</b> SEE NOTE	<b>Checked:</b>	<b>DWG NO.:</b> Q07081703	<b>REV</b>		
	<b>SHEET</b> 1 OF 1	<b>Approved:</b>	<b>PART NO.:</b> B551N-6403-M014	<b>00</b>			