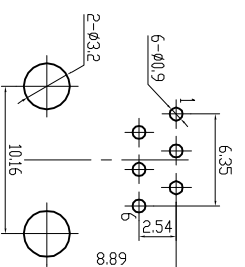
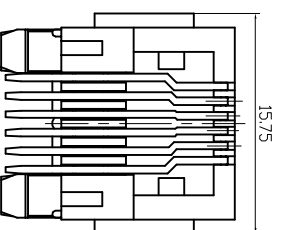
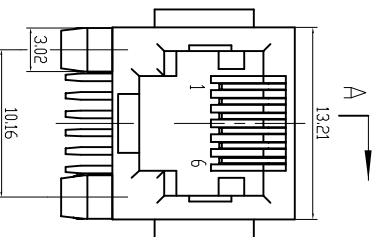
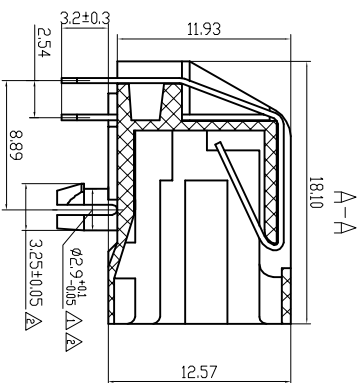


REV.	ECN NO.	DATE
01	MODIFY DIMENSION	05.06.28
02	MODIFY DIMENSION	07.08.29
03	ADD PART NO.	08.10.18
04	ADD PART NO.	08.10.30



PC BOARD LAYOUT
THICKNESS=1.6MM



NOTES:

ELECTRICAL:

1. VOLTAGE RATING : 125 VAC RMS.
2. CURRENT RATING : 1.5 AMP.
3. CONTACT RESISTANCE : 45 MILLIOHMS MAX.
4. INSULATION RESISTANCE : 1000 MEGOHMS MIN @ 500 VDC
5. DIELECTRIC STRENGTH : 1000 V AC DR 1500V DC RMS @ 0.5mA 50 Hz / 60 Hz 1 Minute

ENVIRONMENTAL:

1. STORAGE : -10°C TD +40°C
 2. OPERATION : -40°C TD +85°C.
- MATES WITH MODULAR PLUG CONFORMING TO FCC PART 68, SUBPART F.
RDHS PART NUMBER:

RDHS PART NUMBER	DESCRIPTION	CONTACT PLATING GOLD	MATERIAL
B572N-6603-M008	R111 1X1 5722 6P6C PCB JACK	3u"	PBT
B572N-6630-U002	R111 1X1 5722 6P6C PCB JACK	30u"	PA66
B572N-666F-M008	R111 1X1 5722 6P6C PCB JACK	GF	PBT

MECHANICAL:

1. HOUSING&INSERT & MATERIAL : PBT OR PA66 UL 94V-0. COLOR BLACK
2. CONTACT MATERIAL : PHOSPHOR BRONZE T=0.35mm.
3. PLATING : 1: CONTACT AREA- SELECTIVE GOLD PLATING.
2: TAILS PLATING TIN OVER NICKEL.
4. OPERATING LIFE : 750 CYCLES MIN.
5. MATING/UNMATING FORCE: : 22N / 227Kg Max.
6. RETENTION STRENGTH: : 57.83N Min.

Rohs Compliant



意华通讯连接器有限公司
YIHUA COMMUNICATED CONNECTOR CO.,LTD.

TOLERANCES
0 ± 0.25
.00 ± 0.20
.000 ± 0.10

MATERIAL: SEE_NOTE

DESIGNED: Qianpu08.10.30

NAME: R111 1X1 5722 6P PCB JACK

FINISH: SEE_NOTE

CHECKED:

DWG NO: E57007082906



THIRD ANGLE PROJECTION

SCALE 1:1

UNIT mm

CUSTOMER: N/A

MODEL NO: N/A

ANGLES ± 0.5

SHEET 1 OF 1

APPROVED:

PART NO: SEE_NOTE

REV 04

B

B

A

A

1

2

3

4