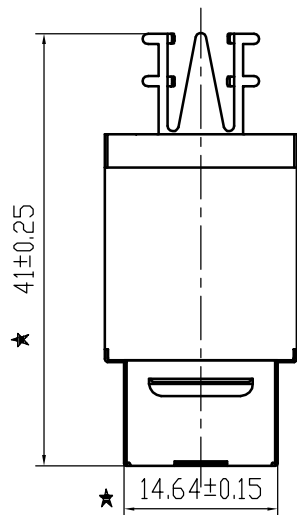
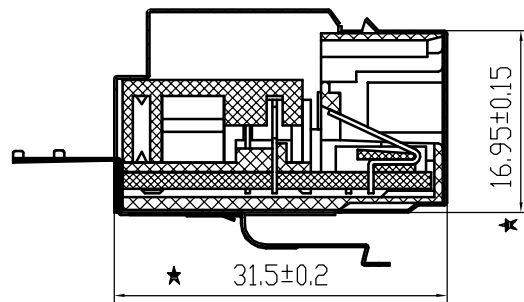
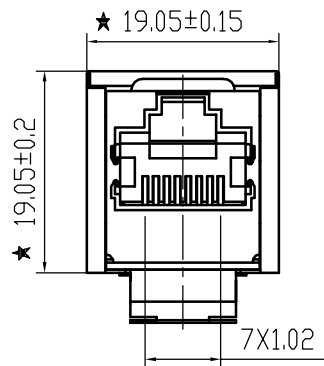


YH-net07

REV.	ECN NO.	DATE



NOTES:

1. ELECTRICAL:
  - 1.1 VOLTAGE RATING: 125 VAC RMS;
  - 1.2 CURRENT RATING: 1.5 AMP;
  - 1.3 CONTACT RESISTANCE: 20 MILLIOHMS Max;
  - 1.4 INSULATION RESISTANCE: 1000 MEGOHMS Min @500 VDC;
  - 1.5 DIELECTRIC STRENGTH: 1000 VAC RMS 50 or 60Hz 1 Minute;
2. MECHANICAL:
  - 2.1 HOUSING: ABS, UL94V-0, BLACK;
  - 2.2 INSERT: PA, UL94V-0, BLACK;
  - 2.3 TERMINALS: DIA 0.46 PHOSPHOR BRONZE PLATED 3u" Au;
  - 2.4 SHIELD: STAINLESS STEEL T=0.2.
  - 2.5 DURABILITY: 750 CYCLES Min.
3. ★ Critical Dimension.

RoHS Compliant

<b>CZT® 意华通讯连接器有限公司</b> YIHUA COMMUNICATED CONNECTOR CO.,LTD.				TOLERANCES 0~15±0.15 15~30±0.2 >30±0.25 ANGLES:±1°	MATERIAL: SEE NOTES	Designed:	NAME: TOOLLESS KEYSTONE JACK-SHIELD	
FIRST ANGLE PROJECTION SIZE 4	SCALE 1.5:1	UNIT mm	CUSTOMER: MODEL NO.:		FINISH: SEE NOTES	Checked:	DWG NO.: H07092203	REV
					SHEET 1 OF 1	Approved:	PART NO.: B845N-8803-E002	00