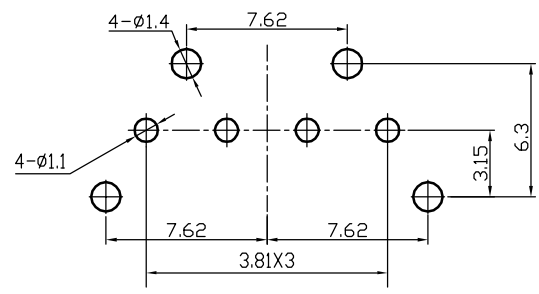
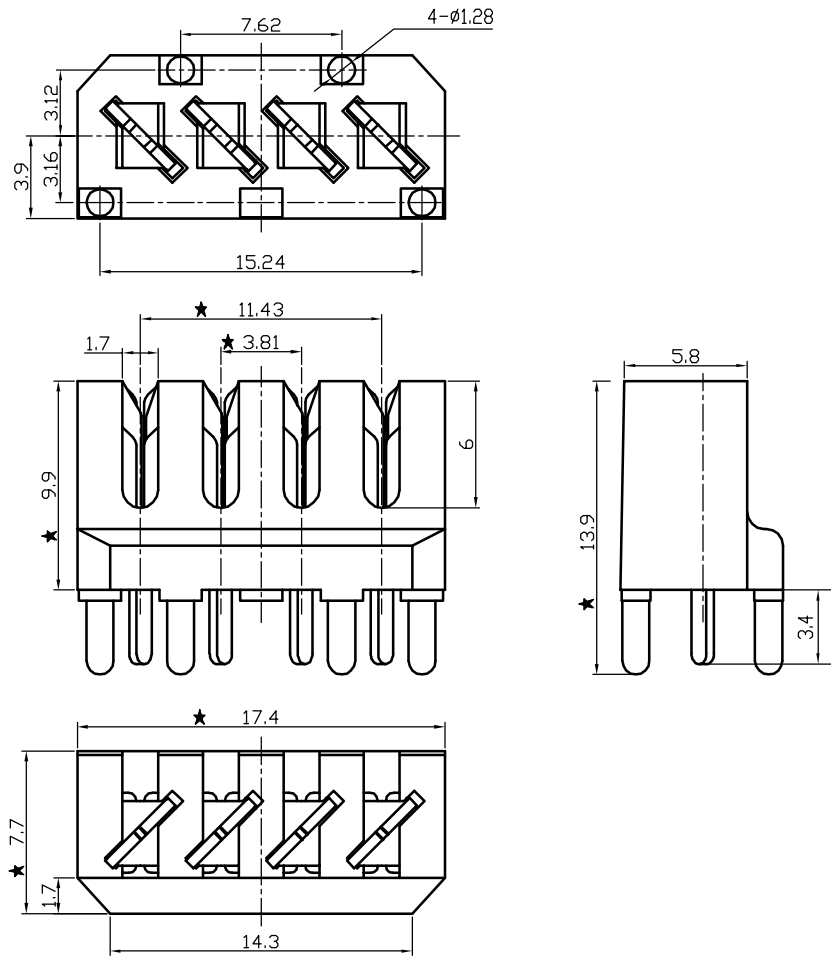


YH-net 31

REV.	ECN NO.	DATE



- NOTES :
- ELECTRICAL:
    - VOLTAGE RATING: 125 VAC RMS;
    - CURRENT RATING: 1.5 AMP;
    - CONTACT RESISTANCE: 20 MILLIOHMS Max;
    - INSULATION RESISTANCE: 1000 MEGOHMS Min @500 VDC;
    - DIELECTRIC STRENGTH: 1000 VAC RMS 50 or 60Hz 1 Minute;
  - MECHANICAL:
    - HOUSING: PC80126, UL94V-0, WHITE;
    - TERMINALS: PHOSPHOR BRONZE T=0.5mm
  - "★" Critical Dimension.

RoHS Compliant

<b>CZT® 意华通讯连接器有限公司</b> YIHUA COMMUNICATED CONNECTOR CO.,LTD.		TOLERANCES 0~15±0.15 15~30±0.2 >30±0.25 ANGLES:±1°		MATERIAL: SEE TABLE		Designed:		NAME: 4P IDC(3.81)	
SCALE 4 UNIT mm		CUSTOMER:		FINISH:		Checked:		DWG NO.: H07082107	
FIRST ANGLE PROJECTION SIZE 3:1		MODEL NO.:		SHEET 1 OF 1		Approved:		PART NO.: B843N-4101-C002	
								REV	00