



FEATURES

- Highly accurate; supports IEC 60687, IEC 61036, IEC 61268, IEC 62053-21, IEC 62053-22, and IEC 62053-23
- Compatible with 3-phase/3-wire, 3-phase/4-wire, and other 3-phase services
- Less than 0.1% active energy error over a dynamic range of 1000 to 1 at 25°C
- Supplies active/reactive/apparent energy, voltage rms, current rms, and sampled waveform data
- Two pulse outputs, one for active power and the other selectable between reactive and apparent power with programmable frequency
- Digital power, phase, and rms offset calibration
- On-chip, user-programmable thresholds for line voltage SAG and overvoltage detections
- An on-chip, digital integrator enables direct interface-to-current sensors with di/dt output
- A PGA in the current channel allows direct interface to current transformers
- An SPI[®]-compatible serial interface with $\overline{\text{IRQ}}$

- Proprietary ADCs and DSP provide high accuracy over large variations in environmental conditions and time
- Reference 2.4 V (drift 30 ppm/°C typical) with external overdrive capability
- Single 5 V supply, low power (70 mW typical)

GENERAL DESCRIPTION

The ADE7758 is a high accuracy, 3-phase electrical energy measurement IC with a serial interface and two pulse outputs. The ADE7758 incorporates second-order Σ - Δ ADCs, a digital integrator, reference circuitry, a temperature sensor, and all the signal processing required to perform active, reactive, and apparent energy measurement and rms calculations.

The ADE7758 is suitable to measure active, reactive, and apparent energy in various 3-phase configurations, such as WYE or DELTA services, with both three and four wires. The ADE7758 provides system calibration features for each phase, that is, rms offset correction, phase calibration, and power calibration. The APCF logic output gives active power information, and the VARCF logic output provides instantaneous reactive or apparent power information.

FUNCTIONAL BLOCK DIAGRAM

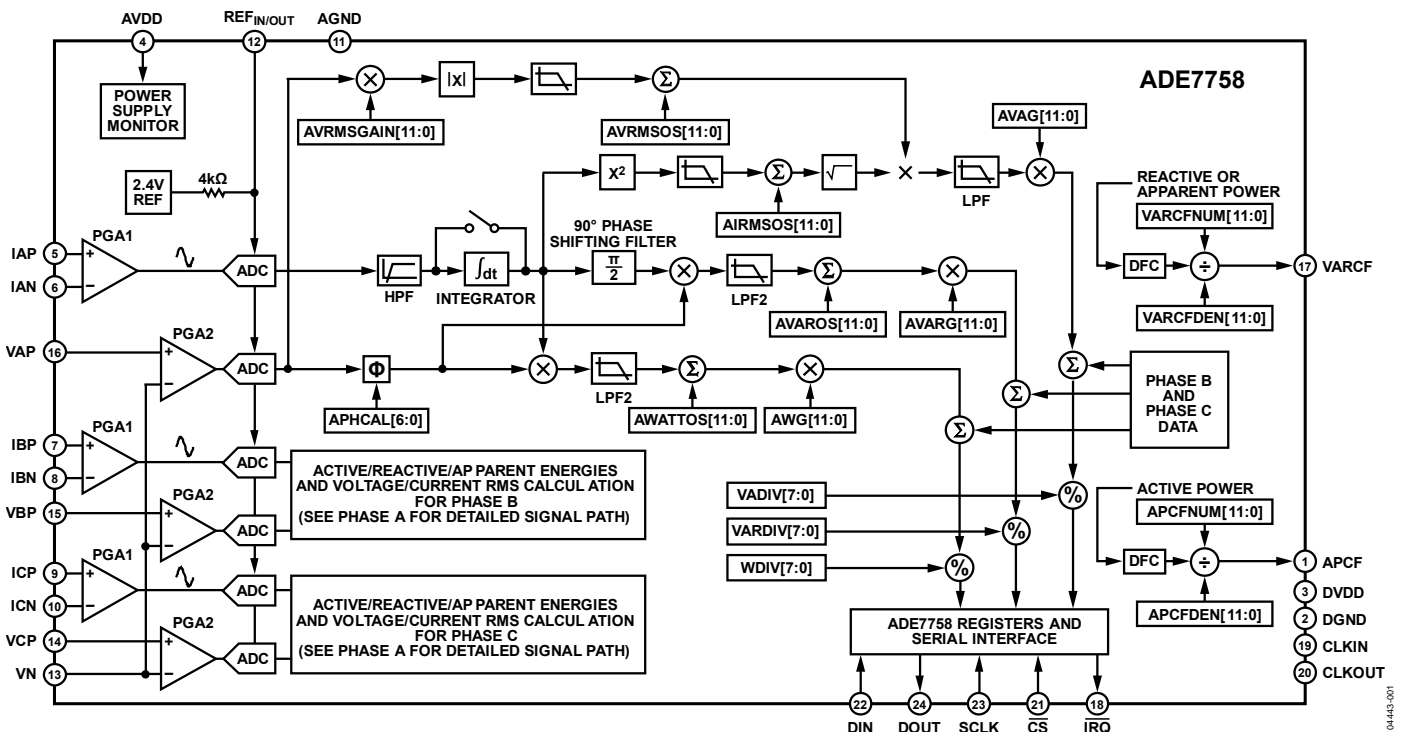


Figure 1.

Rev. E

Information furnished by Analog Devices is believed to be accurate and reliable. However, no responsibility is assumed by Analog Devices for its use, nor for any infringements of patents or other rights of third parties that may result from its use. Specifications subject to change without notice. No license is granted by implication or otherwise under any patent or patent rights of Analog Devices. Trademarks and registered trademarks are the property of their respective owners.

TABLE OF CONTENTS

Features	1	Temperature Measurement	27
General Description	1	Root Mean Square Measurement	28
Functional Block Diagram	1	Active Power Calculation	30
General Description	4	Reactive Power Calculation	35
Specifications	5	Apparent Power Calculation	39
Timing Characteristics	6	Energy Registers Scaling	41
Timing Diagrams	7	Waveform Sampling Mode	41
Absolute Maximum Ratings	8	Calibration	42
ESD Caution	8	Checksum Register	55
Pin Configuration and Function Descriptions	9	Interrupts	55
Terminology	11	Using the Interrupts with an MCU	56
Typical Performance Characteristics	12	Interrupt Timing	56
Test Circuits	17	Serial Interface	56
Theory of Operation	18	Serial Write Operation	57
Antialiasing Filter	18	Serial Read Operation	59
Analog Inputs	18	Accessing the On-Chip Registers	59
Current Channel ADC	19	Registers	60
di/dt Current Sensor and Digital Integrator	20	Communications Register	60
Peak Current Detection	21	Operational Mode Register (0x13)	64
Overcurrent Detection Interrupt	21	Measurement Mode Register (0x14)	64
Voltage Channel ADC	22	Waveform Mode Register (0x15)	65
Zero-Crossing Detection	23	Computational Mode Register (0x16)	66
Phase Compensation	23	Line Cycle Accumulation Mode Register (0x17)	67
Period Measurement	25	Interrupt Mask Register (0x18)	68
Line Voltage SAG Detection	25	Interrupt Status Register (0x19)/Reset Interrupt Status Register (0x1A)	69
SAG Level Set	26	Outline Dimensions	70
Peak Voltage Detection	26	Ordering Guide	70
Phase Sequence Detection	26		
Power-Supply Monitor	27		
Reference Circuit	27		

Revision History

10/11—Rev. D to Rev. E

Changes to Figure 1	1	Changes to Equation 25	34
Changes to Figure 41	19	Changes to Figure 69	34
Changes to Figure 60	27	Changes to Table 17	62
Added Figure 61; Renumbered Sequentially	27	Change to Table 18	64
Changes to Phase Sequence Detection Section	27	Changes to Table 24	69
Changes to Power-Supply Monitor Section	27	Changes to Ordering Guide	70
Changes to Figure 62	28		
Changes to Figure 67	32	10/08—Rev. C to Rev. D	
Changes to Figure 68	32	Changes to Figure 1	1
		Changes to Phase Sequence Detection Section and Figure 60	27

Changes to Current RMS Calculation Section.....	28	Changes to Energy Accumulation Mode Section.....	33
Changes to Voltage Channel RMS Calculation Section and Figure 63.....	29	Changes to the Reactive Power Calculation Section.....	35
Changes to Table 17.....	60	Added Equation 32.....	36
Changes to Ordering Guide.....	70	Changes to Energy Accumulation Mode Section.....	38
7/06—Rev. B to Rev. C		Changes to the Reactive Power Frequency Output Section.....	38
Updated Format.....	Universal	Changes to the Apparent Energy Calculation Section.....	40
Changes to Figure 1.....	1	Changes to the Calibration Section.....	42
Changes to Table 2.....	6	Changes to Figure 76 through Figure 84.....	43–54
Changes to Table 4.....	9	Changes to Table 15.....	59
Changes to Figure 34 and Figure 35.....	17	Changes to Table 16.....	63
Changes to Current Waveform Gain Registers Section and Current Channel Sampling Section.....	19	Changes to Ordering Guide.....	69
Changes to Voltage Channel Sampling Section.....	22	9/04—Rev. 0 to Rev. A	
Changes to Zero-Crossing Timeout Section.....	23	Changed Hexadecimal Notation.....	Universal
Changes to Figure 60.....	27	Changes to Features List.....	1
Changes to Current RMS Calculation Section.....	28	Changes to Specifications Table.....	5
Changes to Current RMS Offset Compensation Section and Voltage Channel RMS Calculation Section.....	29	Change to Figure 25.....	16
Added Table 7 and Table 9; Renumbered Sequentially.....	29	Additions to the Analog Inputs Section.....	19
Changes to Figure 65.....	30	Added Figures 36 and 37; Renumbered Subsequent Figures.....	19
Changes to Active Power Offset Calibration Section.....	31	Changes to Period Measurement Section.....	26
Changes to Reactive Power Frequency Output Section.....	38	Change to Peak Voltage Detection Section.....	26
Changes to Apparent Power Frequency Output Section and Waveform Sampling Mode Section.....	41	Added Figure 60.....	27
Changes to Gain Calibration Using Line Accumulation Section.....	49	Change to the Current RMS Offset Compensation Section.....	29
Changes to Example: Power Offset Calibration Using Line Accumulation Section.....	53	Edits to Active Power Frequency Output Section.....	33
Changes to Calibration of IRMS and VRMS Offset Section.....	54	Added Figure 68; Renumbered Subsequent Figures.....	33
Changes to Table 18.....	64	Changes to Reactive Power Frequency Output Section.....	37
Changes to Table 20.....	65	Added Figure 73; Renumbered Subsequent Figures.....	38
11/05—Rev. A to Rev. B		Change to Gain Calibration Using Pulse Output Example.....	44
Changes to Table 1.....	5	Changes to Equation 37.....	45
Changes to Figure 23 Caption.....	14	Changes to Example—Phase Calibration of Phase A Using Pulse Output.....	45
Changes to Current Waveform Gain Registers Section.....	19	Changes to Equations 56 and 57.....	53
Changes to di/dt Current Sensor and Digital Integrator Section.....	20	Addition to the ADE7758 Interrupts Section.....	54
Changes to Phase Compensation Section.....	23	Changes to Example-Calibration of RMS Offsets.....	54
Changes to Figure 57.....	25	Addition to Table 20.....	66
Changes to Figure 60.....	27	1/04—Revision 0: Initial Version	
Changes to Temperature Measurement Section and Root Mean Square Measurement Section.....	28		
Inserted Table 6.....	28		
Changes to Current RMS Offset Compensation Section.....	29		
Inserted Table 7.....	29		
Added Equation 17.....	31		

GENERAL DESCRIPTION

The ADE7758 has a waveform sample register that allows access to the ADC outputs. The part also incorporates a detection circuit for short duration low or high voltage variations. The voltage threshold levels and the duration (number of half-line cycles) of the variation are user programmable. A zero-crossing detection is synchronized with the zero-crossing point of the line voltage of any of the three phases. This information can be used to measure the period of any one of the three voltage inputs. The zero-crossing detection is used inside the chip for the line cycle energy accumulation mode. This mode permits faster and more accurate calibration by synchronizing the energy accumulation with an integer number of line cycles.

Data is read from the ADE7758 via the SPI serial interface. The interrupt request output ($\overline{\text{IRQ}}$) is an open-drain, active low logic output. The $\overline{\text{IRQ}}$ output goes active low when one or more interrupt events have occurred in the ADE7758. A status register indicates the nature of the interrupt. The ADE7758 is available in a 24-lead SOIC package.

SPECIFICATIONS

AVDD = DVDD = 5 V ± 5%, AGND = DGND = 0 V, on-chip reference, CLKIN = 10 MHz XTAL, T_{MIN} to T_{MAX} = -40°C to +85°C.

Table 1.

Parameter ^{1,2}	Specification	Unit	Test Conditions/Comments
ACCURACY			
Active Energy Measurement Error (per Phase)	0.1	% typ	Over a dynamic range of 1000 to 1
Phase Error Between Channels			Line frequency = 45 Hz to 65 Hz, HPF on
PF = 0.8 Capacitive	±0.05	°max	Phase lead 37°
PF = 0.5 Inductive	±0.05	°max	Phase lag 60°
AC Power Supply Rejection			AVDD = DVDD = 5 V + 175 mV rms/120 Hz
Output Frequency Variation	0.01	% typ	V1P = V2P = V3P = 100 mV rms
DC Power Supply Rejection			AVDD = DVDD = 5 V ± 250 mV dc
Output Frequency Variation	0.01	% typ	V1P = V2P = V3P = 100 mV rms
Active Energy Measurement Bandwidth	14	kHz	
IRMS Measurement Error	0.5	% typ	Over a dynamic range of 500:1
IRMS Measurement Bandwidth	14	kHz	
VRMS Measurement Error	0.5	% typ	Over a dynamic range of 20:1
VRMS Measurement Bandwidth	260	Hz	
ANALOG INPUTS			
Maximum Signal Levels	±500	mV max	See the Analog Inputs section
Input Impedance (DC)	380	kΩ min	Differential input
ADC Offset Error ³	±30	mV max	Uncalibrated error, see the Terminology section
Gain Error ³	±6	% typ	External 2.5 V reference
WAVEFORM SAMPLING			
Current Channels			Sampling CLKIN/128, 10 MHz/128 = 78.1 kSPS
Signal-to-Noise Plus Distortion	62	dB typ	See the Current Channel ADC section
Bandwidth (-3 dB)	14	kHz	
Voltage Channels			See the Voltage Channel ADC section
Signal-to-Noise Plus Distortion	62	dB typ	
Bandwidth (-3 dB)	260	Hz	
REFERENCE INPUT			
REF _{IN/OUT} Input Voltage Range	2.6	V max	2.4 V + 8%
	2.2	V min	2.4 V - 8%
Input Capacitance	10	pF max	
ON-CHIP REFERENCE			
Reference Error	±200	mV max	Nominal 2.4 V at REF _{IN/OUT} pin
Current Source	6	μA max	
Output Impedance	4	kΩ min	
Temperature Coefficient	30	ppm/°C typ	
CLKIN			
Input Clock Frequency	15	MHz max	All specifications CLKIN of 10 MHz
	5	MHz min	
LOGIC INPUTS			
DIN, SCLK, CLKIN, and \overline{CS}			
Input High Voltage, V _{INH}	2.4	V min	DVDD = 5 V ± 5%
Input Low Voltage, V _{INL}	0.8	V max	DVDD = 5 V ± 5%
Input Current, I _{IN}	±3	μA max	Typical 10 nA, V _{IN} = 0 V to DVDD
Input Capacitance, C _{IN}	10	pF max	

Parameter ^{1,2}	Specification	Unit	Test Conditions/Comments
LOGIC OUTPUTS			
$\overline{\text{IRQ}}$, DOUT, and CLKOUT			DVDD = 5 V ± 5% $\overline{\text{IRQ}}$ is open-drain, 10 kΩ pull-up resistor
Output High Voltage, V _{OH}	4	V min	I _{SOURCE} = 5 mA
Output Low Voltage, V _{OL}	0.4	V max	I _{SINK} = 1 mA
APCF and VARCF			
Output High Voltage, V _{OH}	4	V min	I _{SOURCE} = 8 mA
Output Low Voltage, V _{OL}	1	V max	I _{SINK} = 5 mA
POWER SUPPLY			
AVDD	4.75	V min	For specified performance 5 V – 5%
	5.25	V max	5 V + 5%
DVDD	4.75	V min	5 V – 5%
	5.25	V max	5 V + 5%
A _{IDD}	8	mA max	Typically 5 mA
D _{IDD}	13	mA max	Typically 9 mA

¹ See the Typical Performance Characteristics.

² See the Terminology section for a definition of the parameters.

³ See the Analog Inputs section.

TIMING CHARACTERISTICS

AVDD = DVDD = 5 V ± 5%, AGND = DGND = 0 V, on-chip reference, CLKIN = 10 MHz XTAL, T_{MIN} to T_{MAX} = –40°C to +85°C.

Table 2.

Parameter ^{1,2}	Specification	Unit	Test Conditions/Comments
WRITE TIMING			
t ₁	50	ns (min)	$\overline{\text{CS}}$ falling edge to first SCLK falling edge
t ₂	50	ns (min)	SCLK logic high pulse width
t ₃	50	ns (min)	SCLK logic low pulse width
t ₄	10	ns (min)	Valid data setup time before falling edge of SCLK
t ₅	5	ns (min)	Data hold time after SCLK falling edge
t ₆	1200	ns (min)	Minimum time between the end of data byte transfers
t ₇	400	ns (min)	Minimum time between byte transfers during a serial write
t ₈	100	ns (min)	$\overline{\text{CS}}$ hold time after SCLK falling edge
READ TIMING			
t ₉ ³	4	μs (min)	Minimum time between read command (that is, a write to communication register) and data read
t ₁₀	50	ns (min)	Minimum time between data byte transfers during a multibyte read
t ₁₁ ⁴	30	ns (min)	Data access time after SCLK rising edge following a write to the communications register
t ₁₂ ⁵	100	ns (max)	Bus relinquish time after falling edge of SCLK
	10	ns (min)	
t ₁₃ ⁵	100	ns (max)	Bus relinquish time after rising edge of $\overline{\text{CS}}$
	10	ns (min)	

¹ Sample tested during initial release and after any redesign or process change that may affect this parameter. All input signals are specified with tr = tf = 5 ns (10% to 90%) and timed from a voltage level of 1.6 V.

² See the timing diagrams in Figure 3 and Figure 4 and the Serial Interface section.

³ Minimum time between read command and data read for all registers except waveform register, which is t₉ = 500 ns min.

⁴ Measured with the load circuit in Figure 2 and defined as the time required for the output to cross 0.8 V or 2.4 V.

⁵ Derived from the measured time taken by the data outputs to change 0.5 V when loaded with the circuit in Figure 2. The measured number is then extrapolated back to remove the effects of charging or discharging the 50 pF capacitor. This means that the time quoted here is the true bus relinquish time of the part and is independent of the bus loading.

TIMING DIAGRAMS

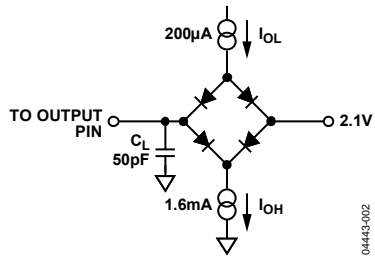


Figure 2. Load Circuit for Timing Specifications

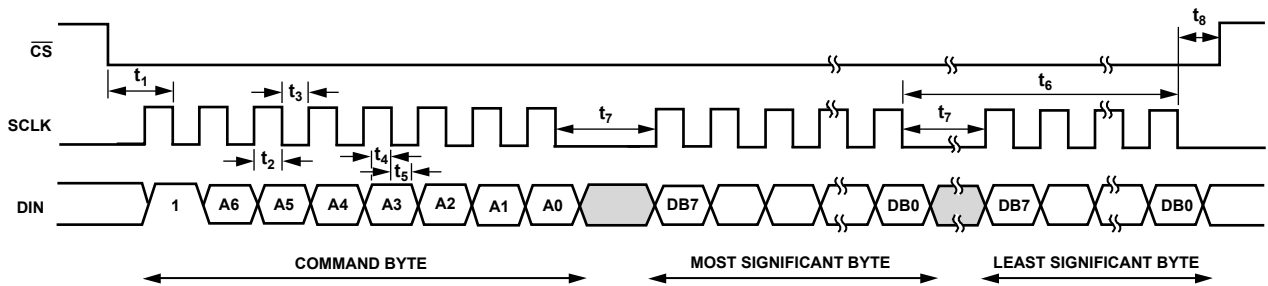


Figure 3. Serial Write Timing

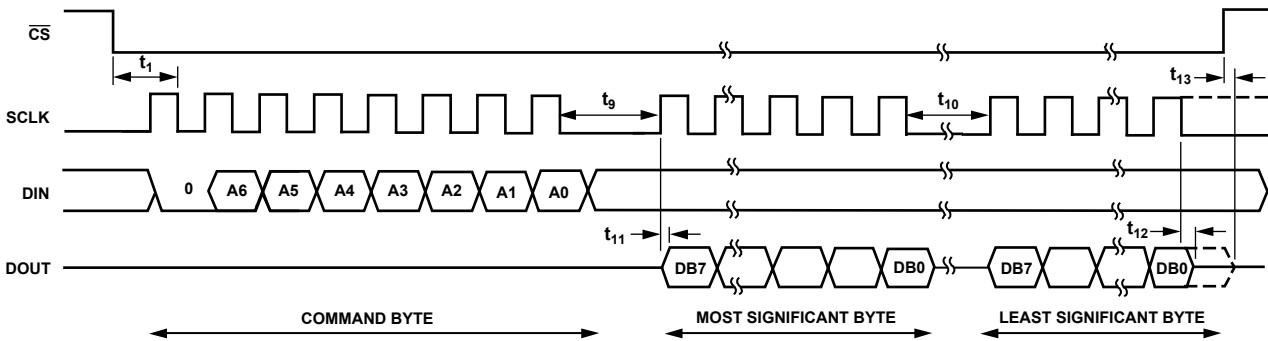


Figure 4. Serial Read Timing

ABSOLUTE MAXIMUM RATINGS

$T_A = 25^\circ\text{C}$, unless otherwise noted.

Table 3.

Parameter	Rating
AVDD to AGND	-0.3 V to +7 V
DVDD to DGND	-0.3 V to +7 V
DVDD to AVDD	-0.3 V to +0.3 V
Analog Input Voltage to AGND, IAP, IAN, IBP, IBN, ICP, ICN, VAP, VBP, VCP, VN	-6 V to +6 V
Reference Input Voltage to AGND	-0.3 V to AVDD + 0.3 V
Digital Input Voltage to DGND	-0.3 V to DVDD + 0.3 V
Digital Output Voltage to DGND	-0.3 V to DVDD + 0.3 V
Operating Temperature	
Industrial Range	-40°C to +85°C
Storage Temperature Range	-65°C to +150°C
Junction Temperature	150°C
24-Lead SOIC, Power Dissipation	88 mW
θ_{JA} Thermal Impedance	53°C/W
Lead Temperature, Soldering	
Vapor Phase (60 sec)	215°C
Infrared (15 sec)	220°C

Stresses above those listed under Absolute Maximum Ratings may cause permanent damage to the device. This is a stress rating only; functional operation of the device at these or any other conditions above those listed in the operational sections of this specification is not implied. Exposure to absolute maximum rating conditions for extended periods may affect device reliability.

ESD CAUTION



ESD (electrostatic discharge) sensitive device. Charged devices and circuit boards can discharge without detection. Although this product features patented or proprietary protection circuitry, damage may occur on devices subjected to high energy ESD. Therefore, proper ESD precautions should be taken to avoid performance degradation or loss of functionality.

PIN CONFIGURATION AND FUNCTION DESCRIPTIONS

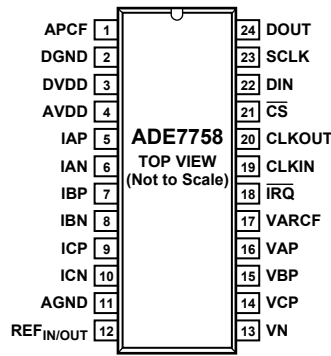


Figure 5. Pin Configuration

Table 4. Pin Function Descriptions

Pin No.	Mnemonic	Description
1	APCF	Active Power Calibration Frequency (APCF) Logic Output. It provides active power information. This output is used for operational and calibration purposes. The full-scale output frequency can be scaled by writing to the APCFNUM and APCFDEN registers (see the Active Power Frequency Output section).
2	DGND	This provides the ground reference for the digital circuitry in the ADE7758, that is, the multiplier, filters, and digital-to-frequency converter. Because the digital return currents in the ADE7758 are small, it is acceptable to connect this pin to the analog ground plane of the whole system. However, high bus capacitance on the DOUT pin can result in noisy digital current that could affect performance.
3	DVDD	Digital Power Supply. This pin provides the supply voltage for the digital circuitry in the ADE7758. The supply voltage should be maintained at $5\text{ V} \pm 5\%$ for specified operation. This pin should be decoupled to DGND with a $10\ \mu\text{F}$ capacitor in parallel with a ceramic $100\ \text{nF}$ capacitor.
4	AVDD	Analog Power Supply. This pin provides the supply voltage for the analog circuitry in the ADE7758. The supply should be maintained at $5\text{ V} \pm 5\%$ for specified operation. Every effort should be made to minimize power supply ripple and noise at this pin by the use of proper decoupling. The Typical Performance Characteristics show the power supply rejection performance. This pin should be decoupled to AGND with a $10\ \mu\text{F}$ capacitor in parallel with a ceramic $100\ \text{nF}$ capacitor.
5, 6, 7, 8, 9, 10	IAP, IAN, IBP, IBN, ICP, ICN	Analog Inputs for Current Channel. This channel is used with the current transducer and is referenced in this document as the current channel. These inputs are fully differential voltage inputs with maximum differential input signal levels of $\pm 0.5\text{ V}$, $\pm 0.25\text{ V}$, and $\pm 0.125\text{ V}$, depending on the gain selections of the internal PGA (see the Analog Inputs section). All inputs have internal ESD protection circuitry. In addition, an overvoltage of $\pm 6\text{ V}$ can be sustained on these inputs without risk of permanent damage.
11	AGND	This pin provides the ground reference for the analog circuitry in the ADE7758, that is, ADCs, temperature sensor, and reference. This pin should be tied to the analog ground plane or the quietest ground reference in the system. This quiet ground reference should be used for all analog circuitry, for example, antialiasing filters, current, and voltage transducers. To keep ground noise around the ADE7758 to a minimum, the quiet ground plane should be connected to the digital ground plane at only one point. It is acceptable to place the entire device on the analog ground plane.
12	REF _{IN/OUT}	This pin provides access to the on-chip voltage reference. The on-chip reference has a nominal value of $2.4\text{ V} \pm 8\%$ and a typical temperature coefficient of $30\ \text{ppm}/^\circ\text{C}$. An external reference source can also be connected at this pin. In either case, this pin should be decoupled to AGND with a $1\ \mu\text{F}$ ceramic capacitor.
13, 14, 15, 16	VN, VCP, VBP, VAP	Analog Inputs for the Voltage Channel. This channel is used with the voltage transducer and is referenced as the voltage channels in this document. These inputs are single-ended voltage inputs with the maximum signal level of $\pm 0.5\text{ V}$ with respect to VN for specified operation. These inputs are voltage inputs with maximum input signal levels of $\pm 0.5\text{ V}$, $\pm 0.25\text{ V}$, and $\pm 0.125\text{ V}$, depending on the gain selections of the internal PGA (see the Analog Inputs section). All inputs have internal ESD protection circuitry, and in addition, an overvoltage of $\pm 6\text{ V}$ can be sustained on these inputs without risk of permanent damage.

Pin No.	Mnemonic	Description
17	VARCF	Reactive Power Calibration Frequency Logic Output. It gives reactive power or apparent power information depending on the setting of the VACF bit of the WAVMODE register. This output is used for operational and calibration purposes. The full-scale output frequency can be scaled by writing to the VARCFNUM and VARCFDEN registers (see the Reactive Power Frequency Output section).
18	$\overline{\text{IRQ}}$	Interrupt Request Output. This is an active low open-drain logic output. Maskable interrupts include: an active energy register at half level, an apparent energy register at half level, and waveform sampling up to 26 kSPS (see the Interrupts section).
19	CLKIN	Master Clock for ADCs and Digital Signal Processing. An external clock can be provided at this logic input. Alternatively, a parallel resonant AT crystal can be connected across CLKIN and CLKOUT to provide a clock source for the ADE7758. The clock frequency for specified operation is 10 MHz. Ceramic load capacitors of a few tens of picofarad should be used with the gate oscillator circuit. Refer to the crystal manufacturer's data sheet for the load capacitance requirements
20	CLKOUT	A crystal can be connected across this pin and CLKIN as previously described to provide a clock source for the ADE7758. The CLKOUT pin can drive one CMOS load when either an external clock is supplied at CLKIN or a crystal is being used.
21	$\overline{\text{CS}}$	Chip Select. Part of the 4-wire serial interface. This active low logic input allows the ADE7758 to share the serial bus with several other devices (see the Serial Interface section).
22	DIN	Data Input for the Serial Interface. Data is shifted in at this pin on the falling edge of SCLK (see the Serial Interface section).
23	SCLK	Serial Clock Input for the Synchronous Serial Interface. All serial data transfers are synchronized to this clock (see the Serial Interface section). The SCLK has a Schmidt-trigger input for use with a clock source that has a slow edge transition time, for example, opto-isolator outputs.
24	DOUT	Data Output for the Serial Interface. Data is shifted out at this pin on the rising edge of SCLK. This logic output is normally in a high impedance state, unless it is driving data onto the serial data bus (see the Serial Interface section).

TERMINOLOGY

Measurement Error

The error associated with the energy measurement made by the ADE7758 is defined by

$$\text{Measurement Error} = \frac{\text{Energy Registered by ADE7758} - \text{True Energy}}{\text{True Energy}} \times 100\% \quad (1)$$

Phase Error Between Channels

The high-pass filter (HPF) and digital integrator introduce a slight phase mismatch between the current and the voltage channel. The all-digital design ensures that the phase matching between the current channels and voltage channels in all three phases is within $\pm 0.1^\circ$ over a range of 45 Hz to 65 Hz and $\pm 0.2^\circ$ over a range of 40 Hz to 1 kHz. This internal phase mismatch can be combined with the external phase error (from current sensor or component tolerance) and calibrated with the phase calibration registers.

Power Supply Rejection (PSR)

This quantifies the ADE7758 measurement error as a percentage of reading when the power supplies are varied. For the ac PSR measurement, a reading at nominal supplies (5 V) is taken. A second reading is obtained with the same input signal levels when an ac signal (175 mV rms/100 Hz) is introduced onto the supplies. Any error introduced by this ac signal is expressed as a percentage of reading—see the Measurement Error definition.

For the dc PSR measurement, a reading at nominal supplies (5 V) is taken. A second reading is obtained with the same input signal levels when the power supplies are varied $\pm 5\%$. Any error introduced is again expressed as a percentage of the reading.

ADC Offset Error

This refers to the dc offset associated with the analog inputs to the ADCs. It means that with the analog inputs connected to AGND that the ADCs still see a dc analog input signal. The magnitude of the offset depends on the gain and input range selection (see the Typical Performance Characteristics section). However, when HPFs are switched on, the offset is removed from the current channels and the power calculation is not affected by this offset.

Gain Error

The gain error in the ADCs of the ADE7758 is defined as the difference between the measured ADC output code (minus the offset) and the ideal output code (see the Current Channel ADC section and the Voltage Channel ADC section). The difference is expressed as a percentage of the ideal code.

Gain Error Match

The gain error match is defined as the gain error (minus the offset) obtained when switching between a gain of 1, 2, or 4. It is expressed as a percentage of the output ADC code obtained under a gain of 1.

TYPICAL PERFORMANCE CHARACTERISTICS

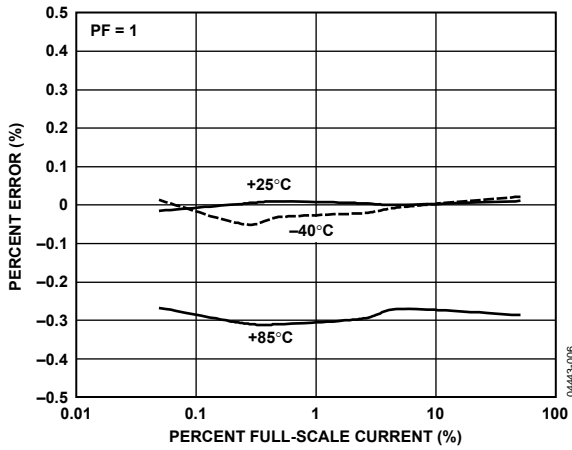


Figure 6. Active Energy Error as a Percentage of Reading (Gain = +1) over Temperature with Internal Reference and Integrator Off

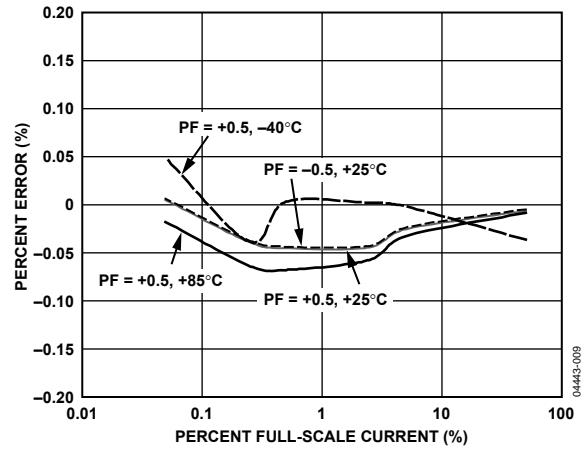


Figure 9. Active Energy Error as a Percentage of Reading (Gain = +1) over Temperature with External Reference and Integrator Off

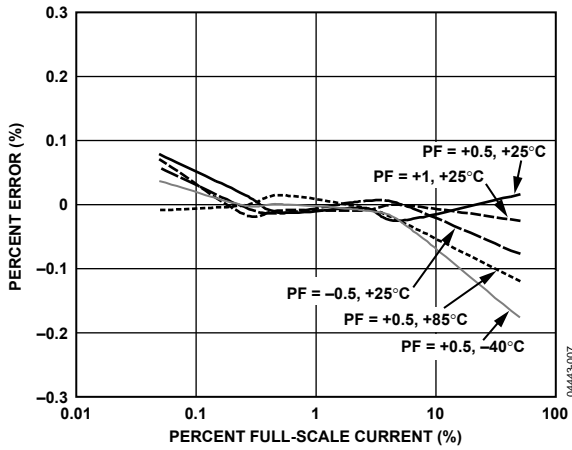


Figure 7. Active Energy Error as a Percentage of Reading (Gain = +1) over Power Factor with Internal Reference and Integrator Off

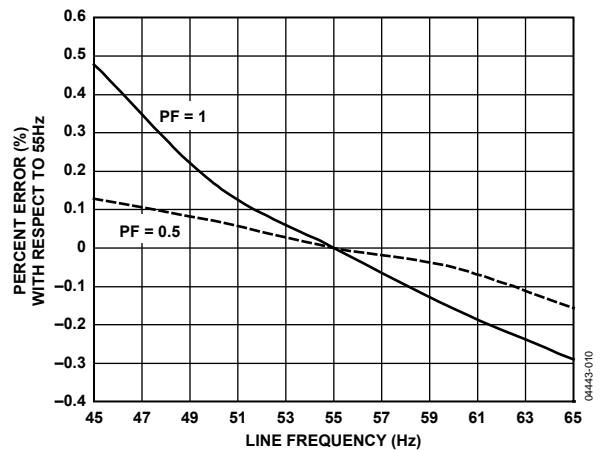


Figure 10. Active Energy Error as a Percentage of Reading (Gain = +1) over Frequency with Internal Reference and Integrator Off

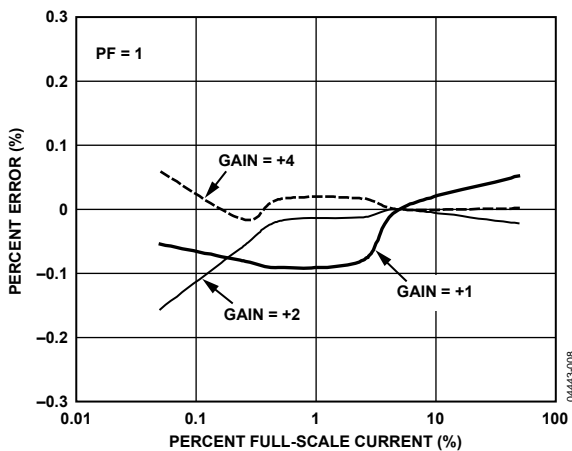


Figure 8. Active Energy Error as a Percentage of Reading over Gain with Internal Reference and Integrator Off

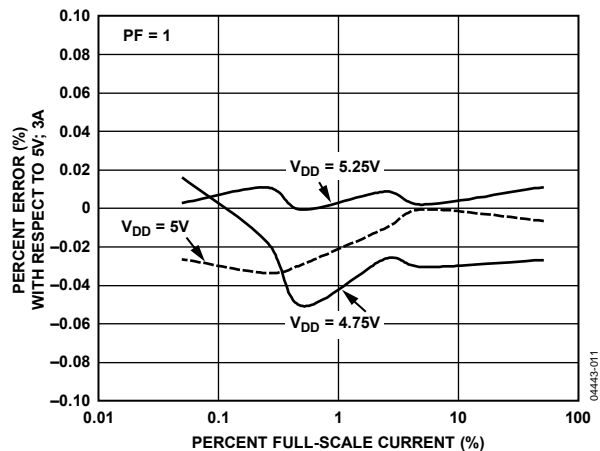


Figure 11. Active Energy Error as a Percentage of Reading (Gain = +1) over Power Supply with Internal Reference and Integrator Off

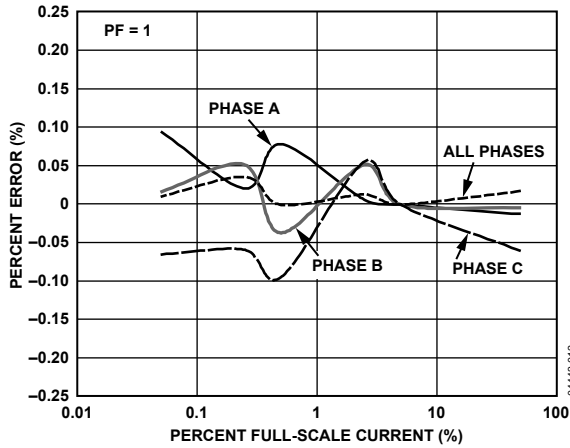


Figure 12. APCF Error as a Percentage of Reading (Gain = +1) with Internal Reference and Integrator Off

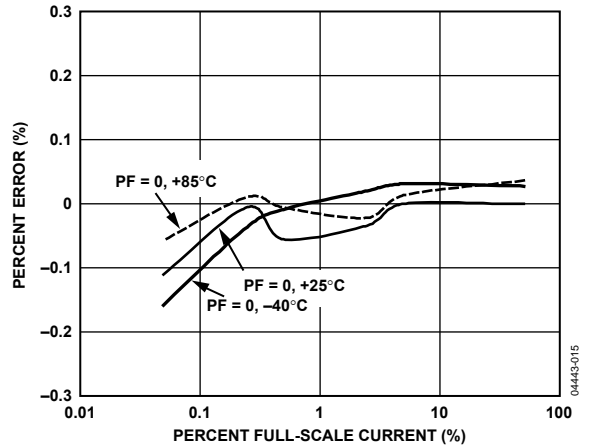


Figure 15. Reactive Energy Error as a Percentage of Reading (Gain = +1) over Temperature with External Reference and Integrator Off

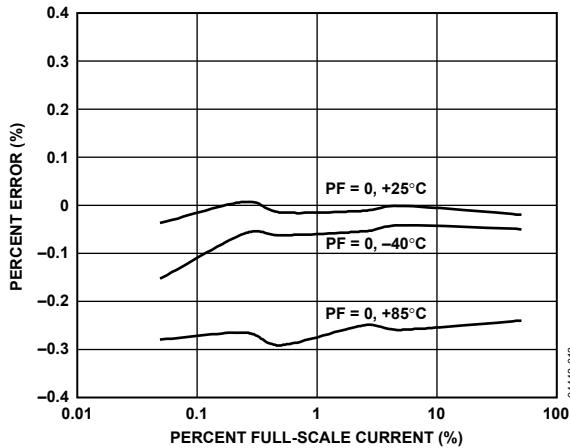


Figure 13. Reactive Energy Error as a Percentage of Reading (Gain = +1) over Temperature with Internal Reference and Integrator Off

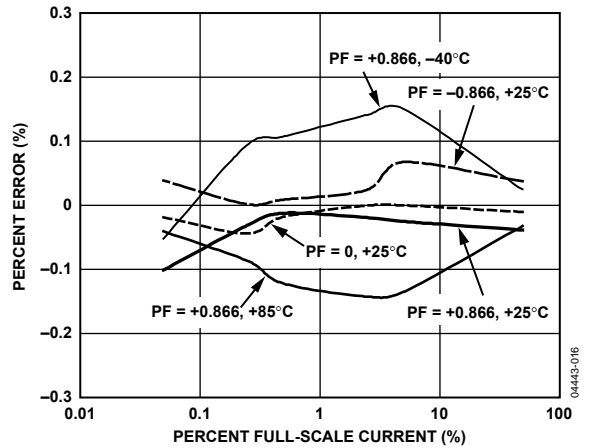


Figure 16. Reactive Energy Error as a Percentage of Reading (Gain = +1) over Power Factor with External Reference and Integrator Off

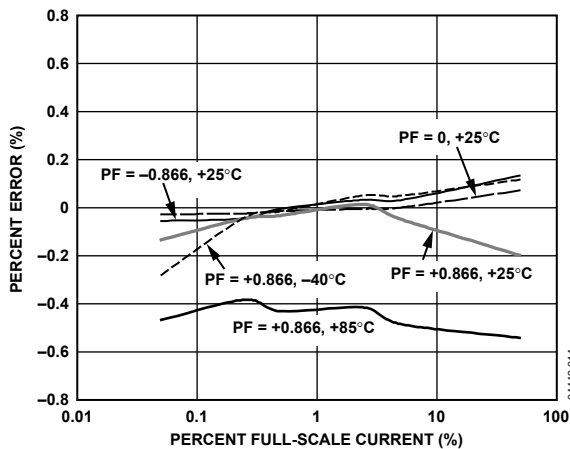


Figure 14. Reactive Energy Error as a Percentage of Reading (Gain = +1) over Power Factor with Internal Reference and Integrator Off

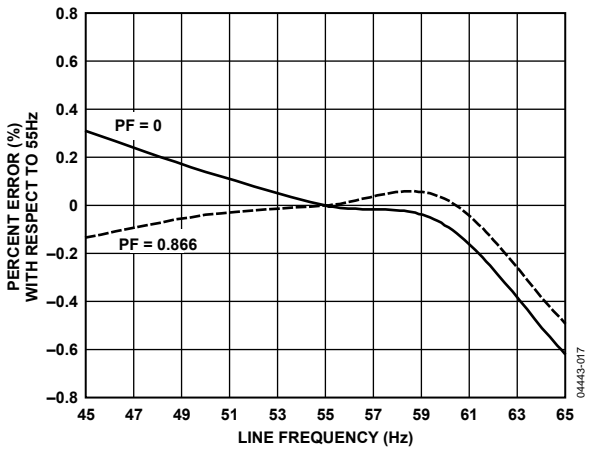


Figure 17. Reactive Energy Error as a Percentage of Reading (Gain = +1) over Frequency with Internal Reference and Integrator Off

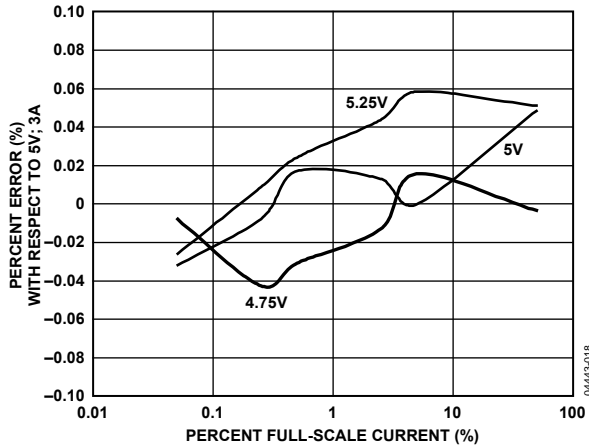


Figure 18. Reactive Energy Error as a Percentage of Reading (Gain = +1) over Supply with Internal Reference and Integrator Off

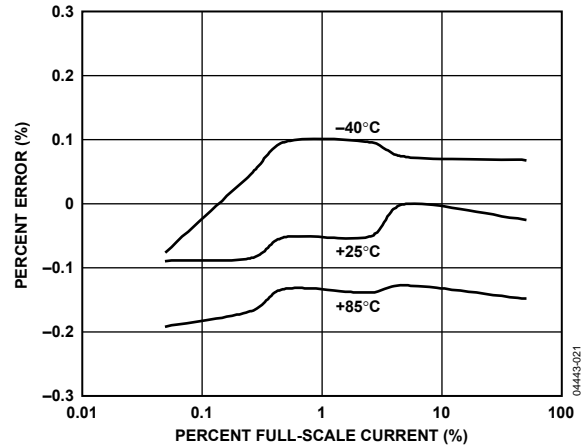


Figure 21. Active Energy Error as a Percentage of Reading (Gain = +4) over Temperature with Internal Reference and Integrator On

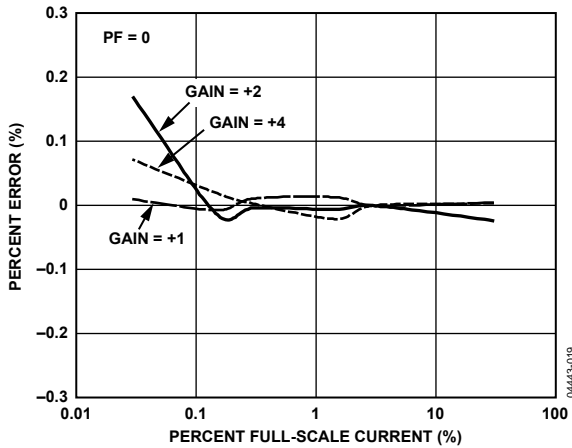


Figure 19. Reactive Energy Error as a Percentage of Reading over Gain with Internal Reference and Integrator Off

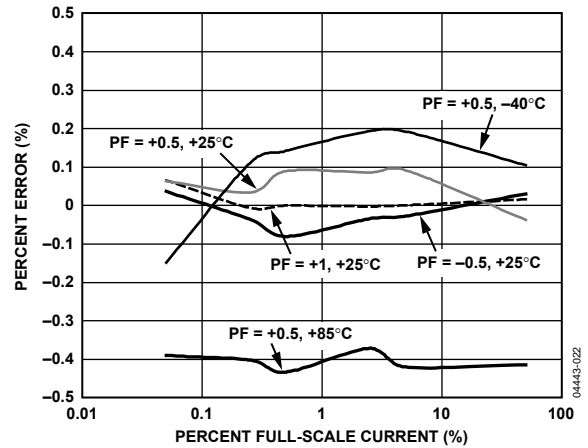


Figure 22. Active Energy Error as a Percentage of Reading (Gain = +4) over Power Factor with Internal Reference and Integrator On

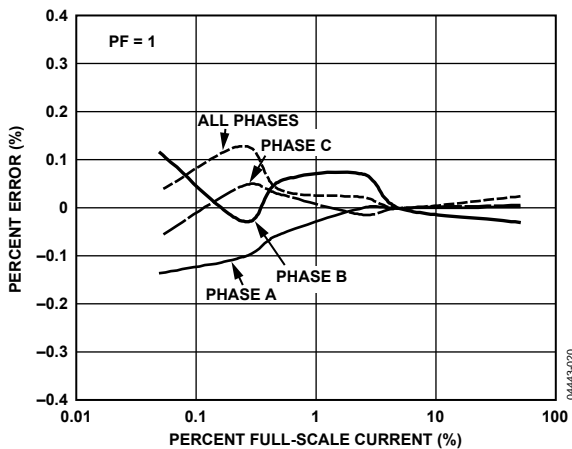


Figure 20. VARCF Error as a Percentage of Reading (Gain = +1) with Internal Reference and Integrator Off

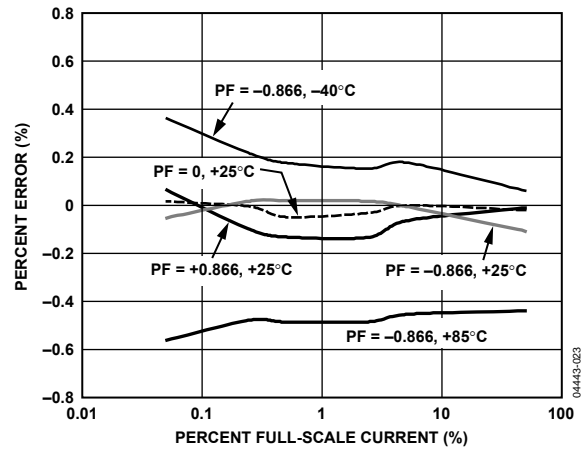


Figure 23. Reactive Energy Error as a Percentage of Reading (Gain = +4) over Power Factor with Internal Reference and Integrator On

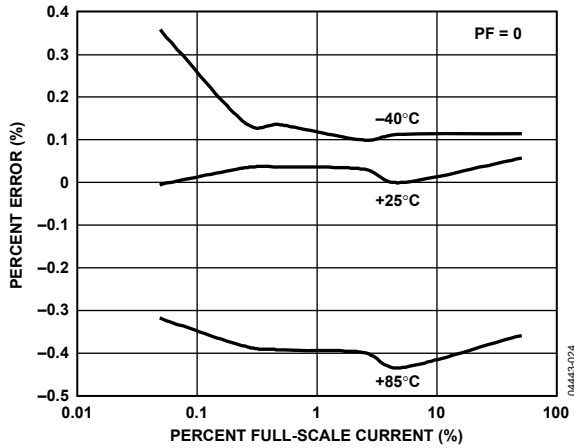


Figure 24. Reactive Energy Error as a Percentage of Reading (Gain = +4) over Temperature with Internal Reference and Integrator On

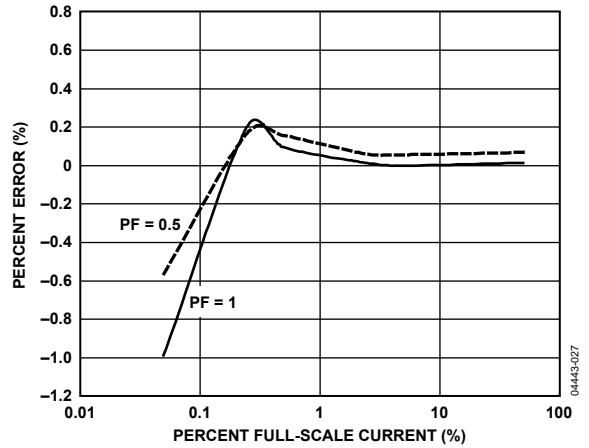


Figure 27. IRMS Error as a Percentage of Reading (Gain = +1) with Internal Reference and Integrator Off

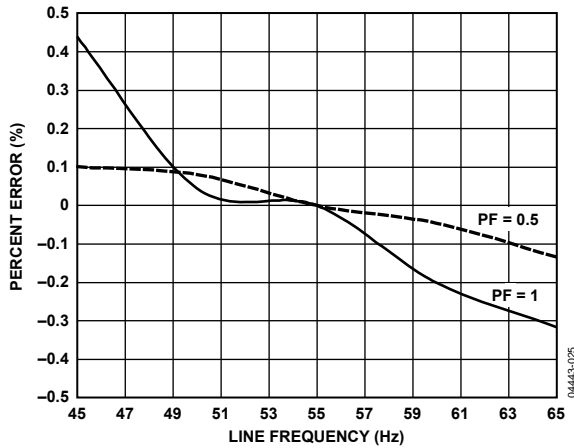


Figure 25. Active Energy Error as a Percentage of Reading (Gain = +4) over Frequency with Internal Reference and Integrator On

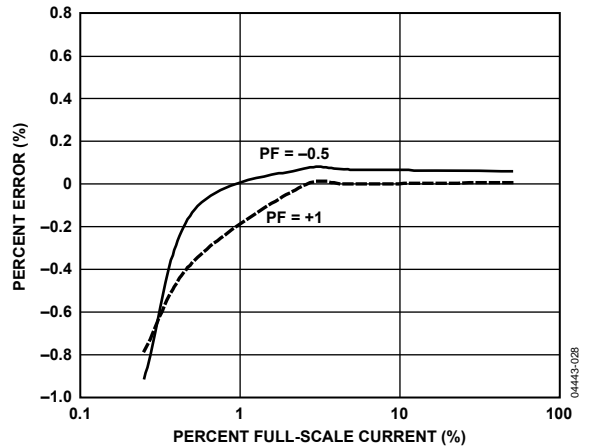


Figure 28. IRMS Error as a Percentage of Reading (Gain = +4) with Internal Reference and Integrator On

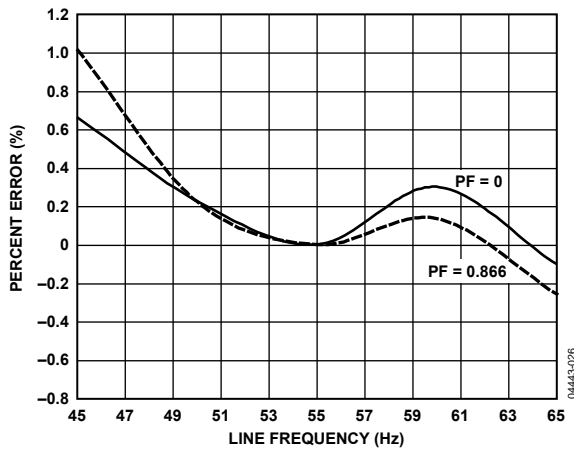


Figure 26. Reactive Energy Error as a Percentage of Reading (Gain = +4) over Frequency with Internal Reference and Integrator On

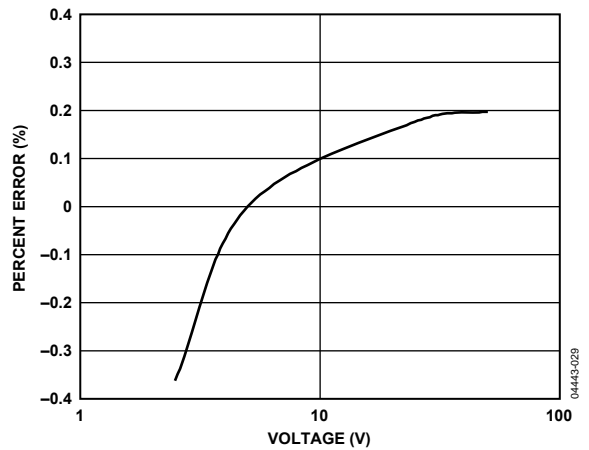


Figure 29. VRMS Error as a Percentage of Reading (Gain = +1) with Internal Reference

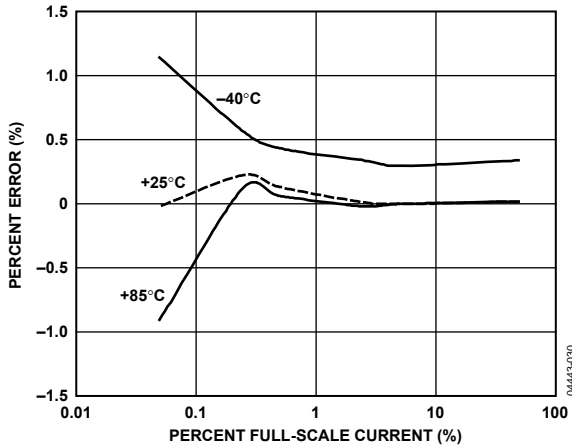


Figure 30. Apparent Energy Error as a Percentage of Reading (Gain = +1) over Temperature with Internal Reference and Integrator Off

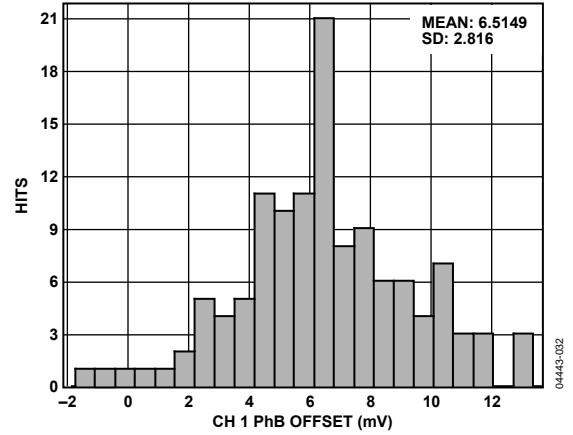


Figure 32. Phase B Channel 1 Offset Distribution

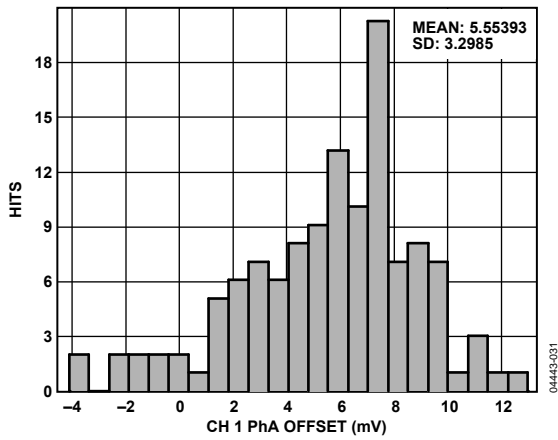


Figure 31. Phase A Channel 1 Offset Distribution

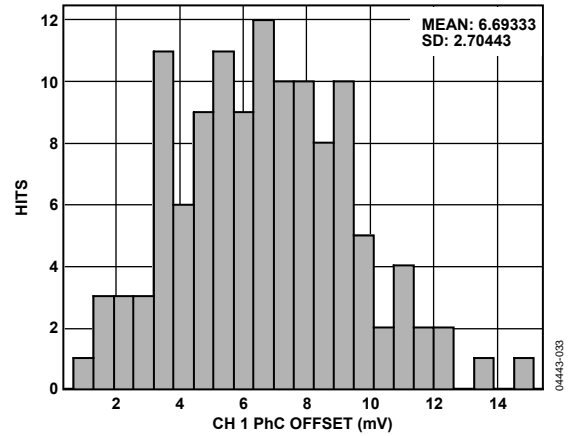


Figure 33. Phase C Channel 1 Offset Distribution

TEST CIRCUITS

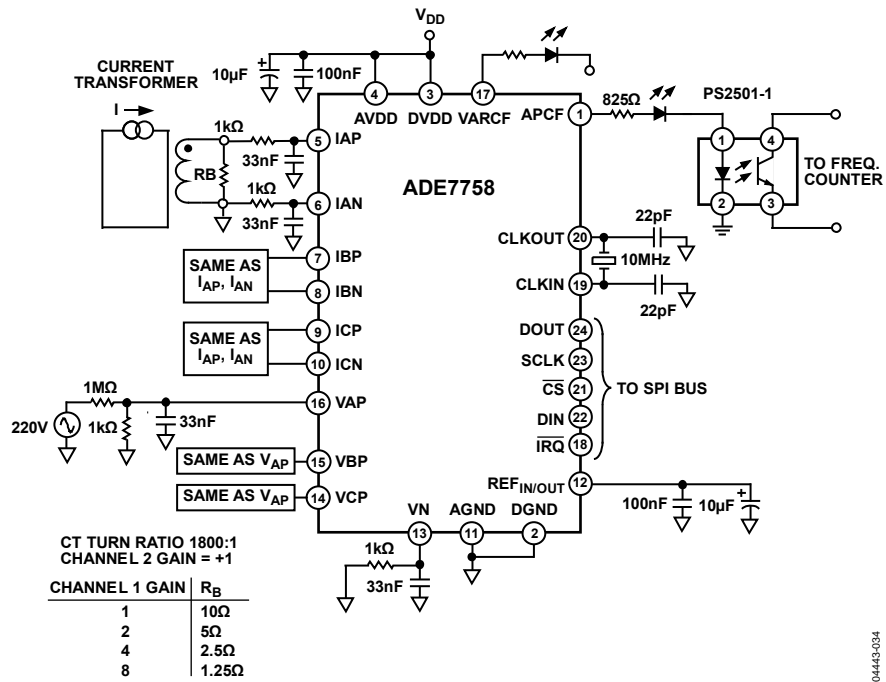


Figure 34. Test Circuit for Integrator Off

04443-034

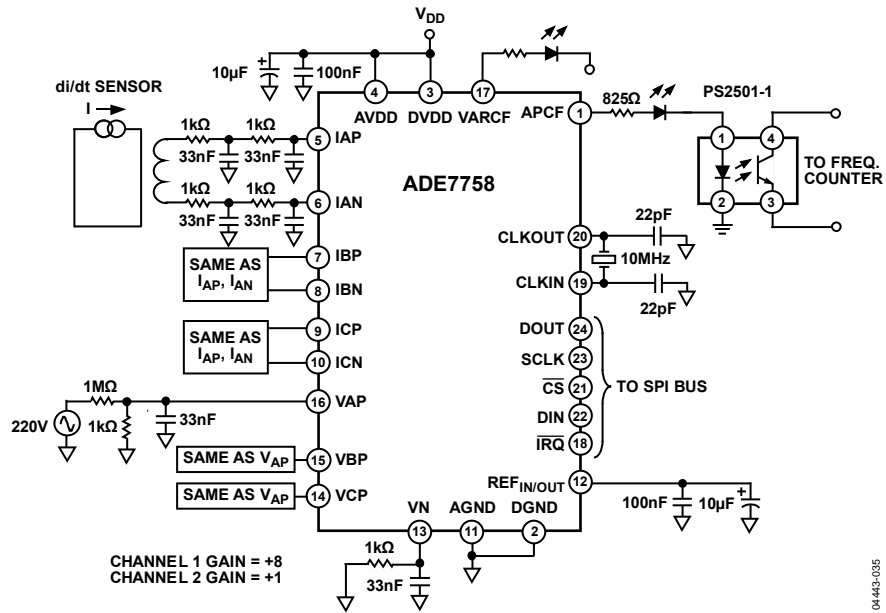


Figure 35. Test Circuit for Integrator On

04443-035

THEORY OF OPERATION

ANTI_ALIASING FILTER

This filter prevents aliasing, which is an artifact of all sampled systems. Input signals with frequency components higher than half the ADC sampling rate distort the sampled signal at a frequency below half the sampling rate. This happens with all ADCs, regardless of the architecture. The combination of the high sampling rate Σ - Δ ADC used in the ADE7758 with the relatively low bandwidth of the energy meter allows a very simple low-pass filter (LPF) to be used as an antialiasing filter. A simple RC filter (single pole) with a corner frequency of 10 kHz produces an attenuation of approximately 40 dB at 833 kHz. This is usually sufficient to eliminate the effects of aliasing.

ANALOG INPUTS

The ADE7758 has six analog inputs divided into two channels: current and voltage. The current channel consists of three pairs of fully differential voltage inputs: IAP and IAN, IBP and IBN, and ICP and ICN. These fully differential voltage input pairs have a maximum differential signal of ± 0.5 V. The current channel has a programmable gain amplifier (PGA) with possible gain selection of 1, 2, or 4. In addition to the PGA, the current channels also have a full-scale input range selection for the ADC. The ADC analog input range selection is also made using the gain register (see Figure 38). As mentioned previously, the maximum differential input voltage is ± 0.5 V. However, by using Bit 3 and Bit 4 in the gain register, the maximum ADC input voltage can be set to ± 0.5 V, ± 0.25 V, or ± 0.125 V on the current channels. This is achieved by adjusting the ADC reference (see the Reference Circuit section).

Figure 36 shows the maximum signal levels on the current channel inputs. The maximum common-mode signal is ± 25 mV, as shown in Figure 37.

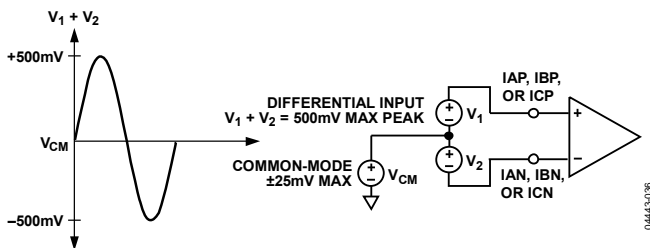


Figure 36. Maximum Signal Levels, Current Channels, Gain = 1

The voltage channel has three single-ended voltage inputs: VAP, VBP, and VCP. These single-ended voltage inputs have a maximum input voltage of ± 0.5 V with respect to VN. Both the current and voltage channel have a PGA with possible gain selections of 1, 2, or 4. The same gain is applied to all the inputs of each channel.

Figure 37 shows the maximum signal levels on the voltage channel inputs. The maximum common-mode signal is ± 25 mV, as shown in Figure 36.

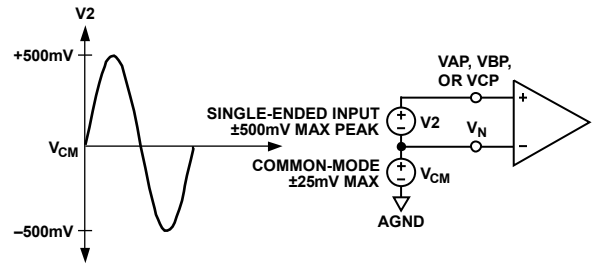


Figure 37. Maximum Signal Levels, Voltage Channels, Gain = 1

The gain selections are made by writing to the gain register. Bit 0 to Bit 1 select the gain for the PGA in the fully differential current channel. The gain selection for the PGA in the single-ended voltage channel is made via Bit 5 to Bit 6. Figure 38 shows how a gain selection for the current channel is made using the gain register.

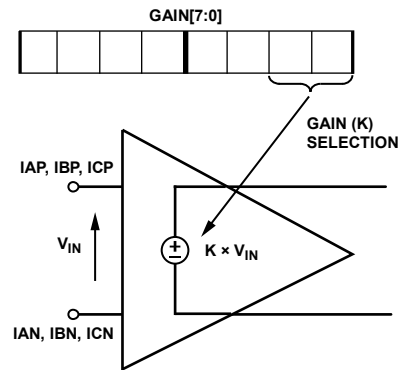
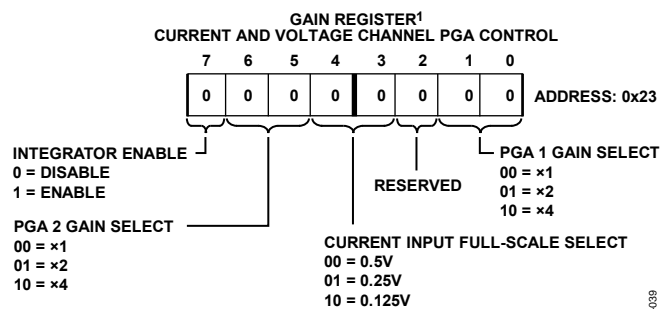


Figure 38. PGA in Current Channel

Figure 39 shows how the gain settings in PGA 1 (current channel) and PGA 2 (voltage channel) are selected by various bits in the gain register.



¹REGISTER CONTENTS SHOW POWER-ON DEFAULTS

Figure 39. Analog Gain Register

Bit 7 of the gain register is used to enable the digital integrator in the current signal path. Setting this bit activates the digital integrator (see the DI/DT Current Sensor and Digital Integrator section).

CURRENT CHANNEL ADC

Figure 41 shows the ADC and signal processing path for the input IA of the current channels (same for IB and IC). In waveform sampling mode, the ADC outputs are signed two's complement 24-bit data-words at a maximum of 26.0 kSPS (thousand samples per second). With the specified full-scale analog input signal of ±0.5 V, the ADC produces its maximum output code value (see Figure 41). This diagram shows a full-scale voltage signal being applied to the differential inputs IAP and IAN. The ADC output swings between 0xD7AE14 (−2,642,412) and 0x2851EC (+2,642,412).

Current Channel Sampling

The waveform samples of the current channel can be routed to the WFORM register at fixed sampling rates by setting the WAVSEL[2:0] bit in the WAVMODE register to 000 (binary) (see Table 20). The phase in which the samples are routed is set by setting the PHSEL[1:0] bits in the WAVMODE register. Energy calculation remains uninterrupted during waveform sampling.

When in waveform sample mode, one of four output sample rates can be chosen by using Bit 5 and Bit 6 of the WAVMODE register (DTRT[1:0]). The output sample rate can be 26.04 kSPS, 13.02 kSPS, 6.51 kSPS, or 3.25 kSPS. By setting the WFSM bit in the interrupt mask register to Logic 1, the interrupt request output $\overline{\text{IRQ}}$ goes active low when a sample is available. The timing is shown in Figure 40. The 24-bit waveform samples are transferred from the ADE7758 one byte (8-bits) at a time, with the most significant byte shifted out first.

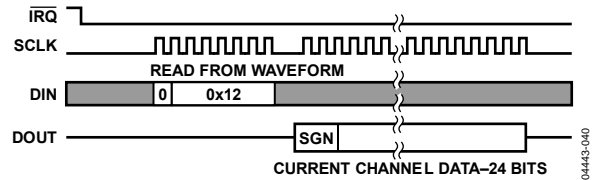
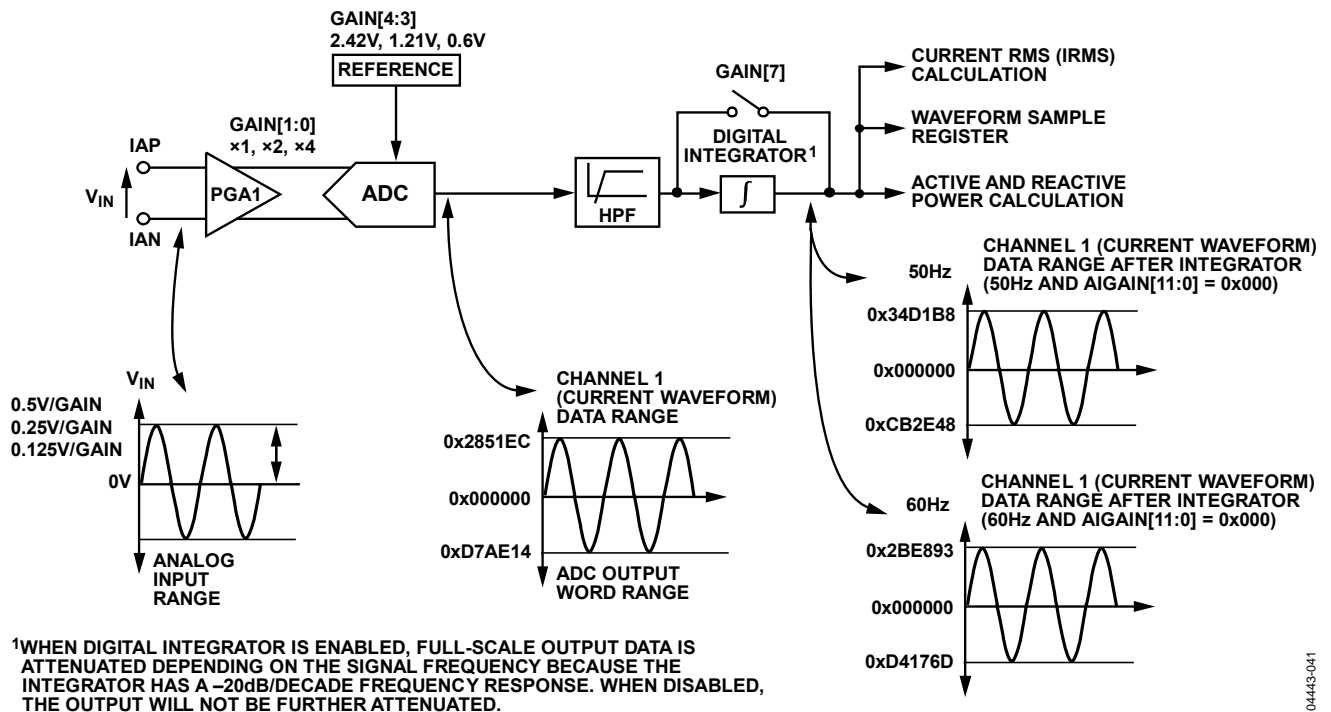


Figure 40. Current Channel Waveform Sampling

The interrupt request output $\overline{\text{IRQ}}$ stays low until the interrupt routine reads the reset status register (see the Interrupts section).



¹WHEN DIGITAL INTEGRATOR IS ENABLED, FULL-SCALE OUTPUT DATA IS ATTENUATED DEPENDING ON THE SIGNAL FREQUENCY BECAUSE THE INTEGRATOR HAS A −20dB/DECADE FREQUENCY RESPONSE. WHEN DISABLED, THE OUTPUT WILL NOT BE FURTHER ATTENUATED.

Figure 41. Current Channel Signal Path

DI/DT CURRENT SENSOR AND DIGITAL INTEGRATOR

The di/dt sensor detects changes in the magnetic field caused by the ac current. Figure 42 shows the principle of a di/dt current sensor.

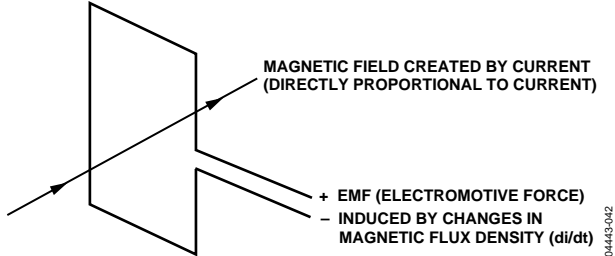


Figure 42. Principle of a di/dt Current Sensor

The flux density of a magnetic field induced by a current is directly proportional to the magnitude of the current. The changes in the magnetic flux density passing through a conductor loop generate an electromotive force (EMF) between the two ends of the loop. The EMF is a voltage signal that is proportional to the di/dt of the current. The voltage output from the di/dt current sensor is determined by the mutual inductance between the current carrying conductor and the di/dt sensor.

The current signal needs to be recovered from the di/dt signal before it can be used. An integrator is therefore necessary to restore the signal to its original form. The ADE7758 has a built-in digital integrator to recover the current signal from the di/dt sensor. The digital integrator on Channel 1 is disabled by default when the ADE7758 is powered up. Setting the MSB of the GAIN[7:0] register turns on the integrator. Figure 43 to Figure 46 show the magnitude and phase response of the digital integrator.

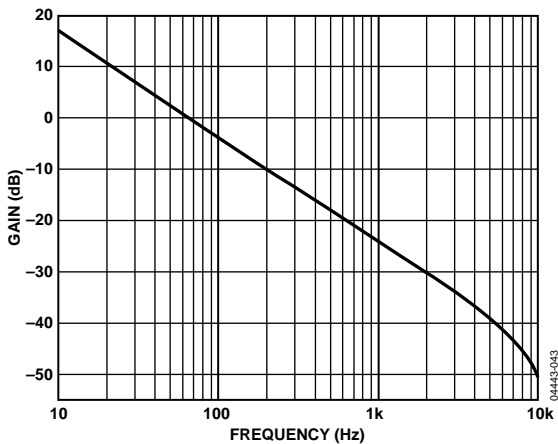


Figure 43. Combined Gain Response of the Digital Integrator and Phase Compensator

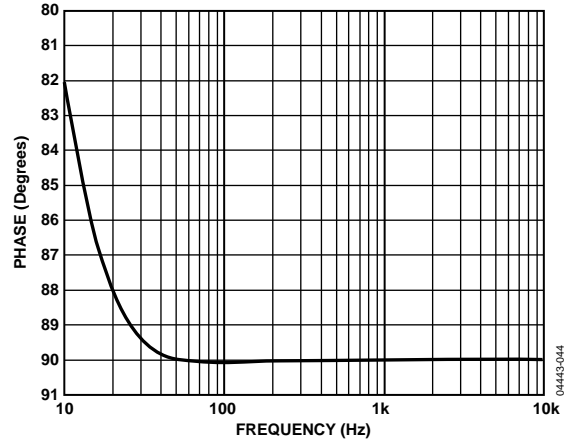


Figure 44. Combined Phase Response of the Digital Integrator and Phase Compensator

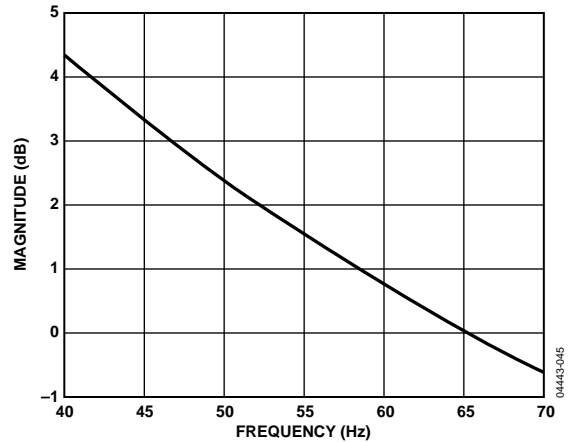


Figure 45. Combined Gain Response of the Digital Integrator and Phase Compensator (40 Hz to 70 Hz)

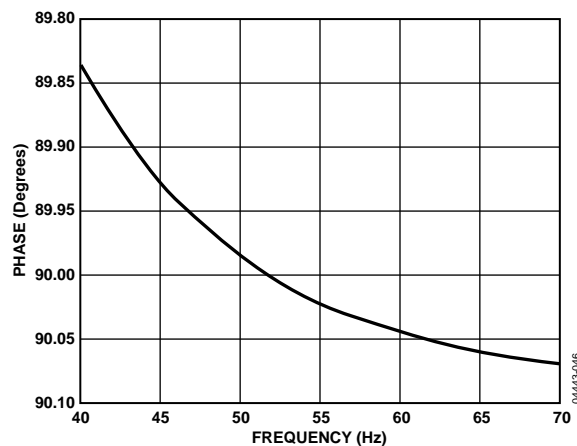


Figure 46. Combined Phase Response of the Digital Integrator and Phase Compensator (40 Hz to 70 Hz)

Note that the integrator has a -20 dB/dec attenuation and approximately -90° phase shift. When combined with a di/dt sensor, the resulting magnitude and phase response should be a flat gain over the frequency band of interest. However, the di/dt sensor has a 20 dB/dec gain associated with it and generates significant high frequency noise. A more effective antialiasing filter is needed to avoid noise due to aliasing (see the Theory of Operation section).

When the digital integrator is switched off, the ADE7758 can be used directly with a conventional current sensor, such as a current transformer (CT) or a low resistance current shunt.

PEAK CURRENT DETECTION

The ADE7758 can be programmed to record the peak of the current waveform and produce an interrupt if the current exceeds a preset limit.

Peak Current Detection Using the PEAK Register

The peak absolute value of the current waveform within a fixed number of half-line cycles is stored in the IPEAK register. Figure 47 illustrates the timing behavior of the peak current detection.

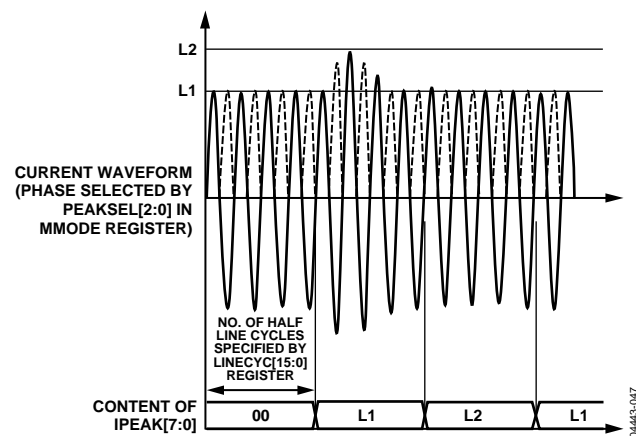


Figure 47. Peak Current Detection Using the IPEAK Register

Note that the content of the IPEAK register is equivalent to Bit 14 to Bit 21 of the current waveform sample. At full-scale analog input, the current waveform sample is 0x2851EC. The IPEAK at full-scale input is therefore expected to be 0xA1.

In addition, multiple phases can be activated for the peak detection simultaneously by setting more than one of the PEAKSEL[2:4] bits in the MMODE register to logic high. These bits select the phase for both voltage and current peak measurements. Note that if more than one bit is set, the VPEAK and IPEAK registers can hold values from two different phases, that is, the voltage and current peak are independently processed (see the Peak Current Detection section).

Note that the number of half-line cycles is based on counting the zero crossing of the voltage channel. The ZXSEL[2:0] bits in the LCYCMODE register determine which voltage channels are used for the zero-crossing detection. The same signal is also used for line cycle energy accumulation mode if activated (see the Line Cycle Accumulation Mode Register (0X17) section).

OVERCURRENT DETECTION INTERRUPT

Figure 48 illustrates the behavior of the overcurrent detection.

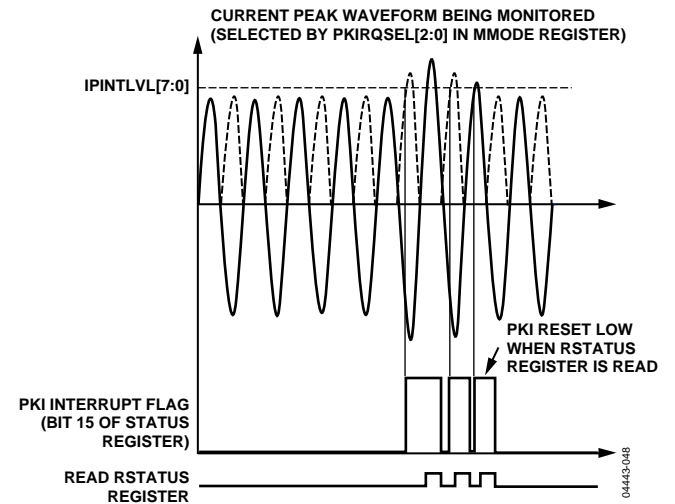


Figure 48. ADE7758 Overcurrent Detection

Note that the content of the IPINTLVL[7:0] register is equivalent to Bit 14 to Bit 21 of the current waveform sample. Therefore, setting this register to 0xA1 represents putting peak detection at full-scale analog input. Figure 48 shows a current exceeding a threshold. The overcurrent event is recorded by setting the PKI flag (Bit 15) in the interrupt status register. If the PKI enable bit is set to Logic 1 in the interrupt mask register, the IRQ logic output goes active low (see the Interrupts section).

Similar to peak level detection, multiple phases can be activated for peak detection. If any of the active phases produce waveform samples above the threshold, the PKI flag in the interrupt status register is set. The phase of which overcurrent is monitored is set by the PKIRQSEL[2:0] bits in the MMODE register (see Table 19).

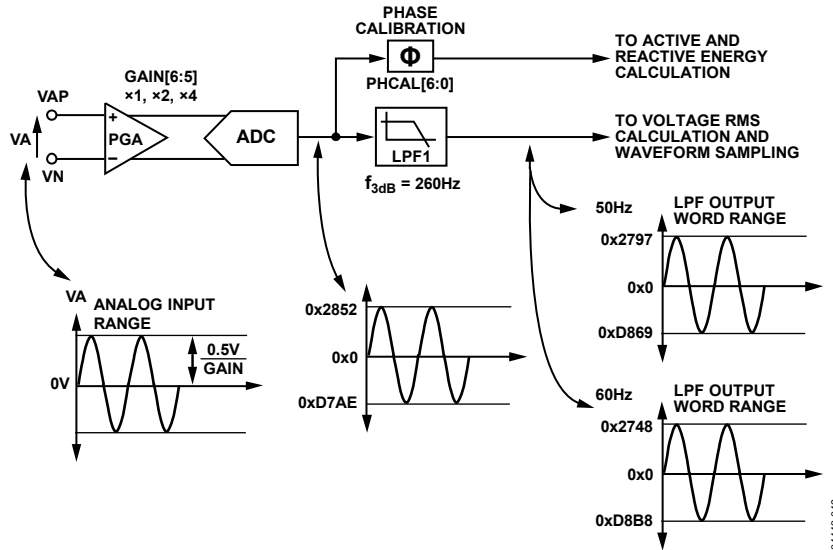


Figure 49. ADC and Signal Processing in Voltage Channel

VOLTAGE CHANNEL ADC

Figure 49 shows the ADC and signal processing chain for the input VA in the voltage channel. The VB and VC channels have similar processing chains.

For active and reactive energy measurements, the output of the ADC passes to the multipliers directly and is not filtered. This solution avoids the much larger multibit multiplier and does not affect the accuracy of the measurement. An HPF is not implemented on the voltage channel to remove the dc offset because the HPF on the current channel alone should be sufficient to eliminate error due to ADC offsets in the power calculation. However, ADC offset in the voltage channels produces large errors in the voltage rms calculation and affects the accuracy of the apparent energy calculation.

Voltage Channel Sampling

The waveform samples on the voltage channels can also be routed to the WFORM register. However, before passing to the WFORM register, the ADC outputs pass through a single-pole, low-pass filter (LPF1) with a cutoff frequency at 260 Hz.

Figure 50 shows the magnitude and phase response of LPF1. This filter attenuates the signal slightly. For example, if the line frequency is 60 Hz, the signal at the output of LPF1 is attenuated by 3.575%. The waveform samples are 16-bit, two's complement data ranging between 0x2748 (+10,056d) and 0xD8B8 (-10,056d). The data is sign extended to 24-bit in the WFORM register.

$$H(f) = \frac{1}{\sqrt{1 + \left(\frac{60 \text{ Hz}}{260 \text{ Hz}}\right)^2}} = 0.974 = -0.225 \text{ dB} \quad (3)$$

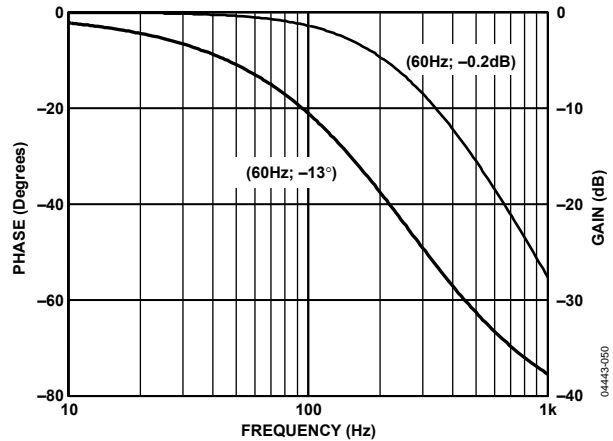


Figure 50. Magnitude and Phase Response of LPF1

Note that LPF1 does not affect the active and reactive energy calculation because it is only used in the waveform sampling signal path. However, waveform samples are used for the voltage rms calculation and the subsequent apparent energy accumulation.

The WAVSEL[2:0] bits in the WAVMODE register should be set to 001 (binary) to start the voltage waveform sampling. The PHSEL[1:0] bits control the phase from which the samples are routed. In waveform sampling mode, one of four output sample rates can be chosen by changing Bit 5 and Bit 6 of the WAVMODE register (see Table 20). The available output sample rates are 26.0 kSPS, 13.5 kSPS, 6.5 kSPS, or 3.3 kSPS. By setting the WFSM bit in the interrupt mask register to Logic 1, the interrupt request output IRQ goes active low when a sample is available. The 24-bit waveform samples are transferred from the ADE7758 one byte (8 bits) at a time, with the most significant byte shifted out first.

The sign of the register is extended in the upper 8 bits. The timing is the same as for the current channels, as seen in Figure 40.

ZERO-CROSSING DETECTION

The ADE7758 has zero-crossing detection circuits for each of the voltage channels (VAN, VBN, and VCN). Figure 51 shows how the zero-cross signal is generated from the output of the ADC of the voltage channel.

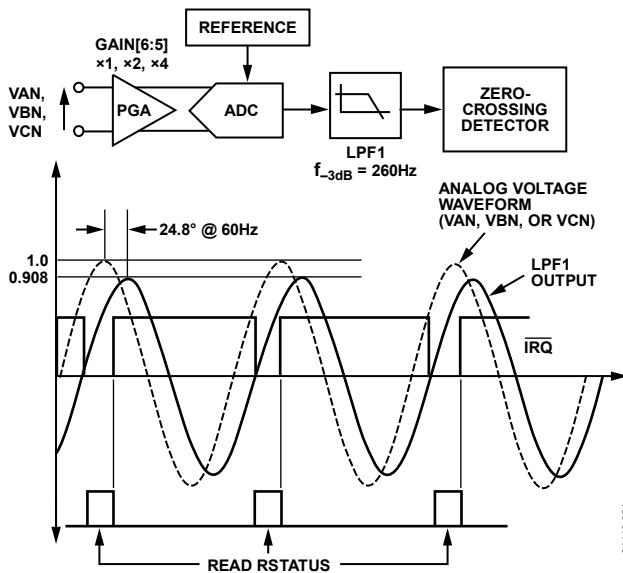


Figure 51. Zero-Crossing Detection on Voltage Channels

The zero-crossing interrupt is generated from the output of LPF1. LPF1 has a single pole at 260 Hz (CLKIN = 10 MHz). As a result, there is a phase lag between the analog input signal of the voltage channel and the output of LPF1. The phase response of this filter is shown in the Voltage Channel Sampling section. The phase lag response of LPF1 results in a time delay of approximately 1.1 ms (at 60 Hz) between the zero crossing on the voltage inputs and the resulting zero-crossing signal. Note that the zero-crossing signal is used for the line cycle accumulation mode, zero-crossing interrupt, and line period/frequency measurement.

When one phase crosses from negative to positive, the corresponding flag in the interrupt status register (Bit 9 to Bit 11) is set to Logic 1. An active low in the IRQ output also appears if the corresponding ZX bit in the interrupt mask register is set to Logic 1. Note that only zero crossing from negative to positive generates an interrupt.

The flag in the interrupt status register is reset to 0 when the interrupt status register with reset (RSTATUS) is read. Each phase has its own interrupt flag and mask bit in the interrupt register.

Zero-Crossing Timeout

Each zero-crossing detection has an associated internal timeout register (not accessible to the user). This unsigned, 16-bit register is decreased by 1 every 384/CLKIN seconds. The registers are reset to a common user-programmed value, that is, the zero-crossing timeout register (ZXTOU[15:0], Address 0x1B),

every time a zero crossing is detected on its associated input. The default value of ZXTOU is 0xFFFF. If the internal register decrements to 0 before a zero crossing at the corresponding input is detected, it indicates an absence of a zero crossing in the time determined by the ZXTOU[15:0]. The ZXTOx detection bit of the corresponding phase in the interrupt status register is then switched on (Bit 6 to Bit 8). An active low on the IRQ output also appears if the ZXTOx mask bit for the corresponding phase in the interrupt mask register is set to Logic 1. Figure 52 shows the mechanism of the zero-crossing timeout detection when the Line Voltage A stays at a fixed dc level for more than 384/CLKIN × ZXTOU[15:0] seconds.

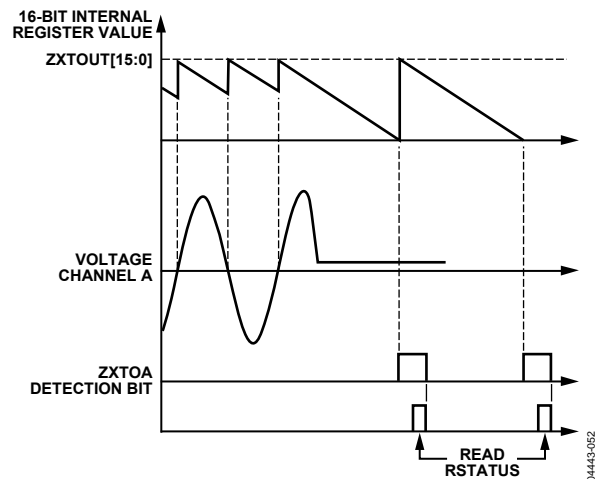


Figure 52. Zero-Crossing Timeout Detection

PHASE COMPENSATION

When the HPF in the current channel is disabled, the phase error between the current channel (IA, IB, or IC) and the corresponding voltage channel (VA, VB, or VC) is negligible. When the HPF is enabled, the current channels have phase response (see Figure 53 through Figure 55). The phase response is almost 0 from 45 Hz to 1 kHz. The frequency band is sufficient for the requirements of typical energy measurement applications.

However, despite being internally phase compensated, the ADE7758 must work with transducers that may have inherent phase errors. For example, a current transformer (CT) with a phase error of 0.1° to 0.3° is not uncommon. These phase errors can vary from part to part, and they must be corrected to perform accurate power calculations.

The errors associated with phase mismatch are particularly noticeable at low power factors. The ADE7758 provides a means of digitally calibrating these small phase errors. The ADE7758 allows a small time delay or time advance to be introduced into the signal processing chain to compensate for the small phase errors.

The phase calibration registers (APHCAL, BPHCAL, and CPHCAL) are two's complement, 7-bit sign-extended registers that can vary the time advance in the voltage channel signal path from +153.6 μs to -75.6 μs (CLKIN = 10 MHz),

respectively. Negative values written to the PHCAL registers represent a time advance, and positive values represent a time delay. One LSB is equivalent to 1.2 μs of time delay or 2.4 μs of time advance with a CLKIN of 10 MHz. With a line frequency of 60 Hz, this gives a phase resolution of 0.026° (360° × 1.2 μs × 60 Hz) at the fundamental in the positive direction (delay) and 0.052° in the negative direction (advance). This corresponds to a total correction range of -3.32° to +1.63° at 60 Hz.

Figure 56 illustrates how the phase compensation is used to remove a 0.1° phase lead in IA of the current channel from the external current transducer. To cancel the lead (0.1°) in the current channel of Phase A, a phase lead must be introduced into the corresponding voltage channel. The resolution of the phase adjustment allows the introduction of a phase lead of 0.104°. The phase lead is achieved by introducing a time advance into VA. A time advance of 4.8 μs is made by writing -2 (0x7E) to the time delay block (APHCAL[6:0]), thus reducing the amount of time delay by 4.8 μs or equivalently, $360^\circ \times 4.8 \mu\text{s} \times 60 \text{ Hz} = 0.104^\circ$ at 60 Hz.

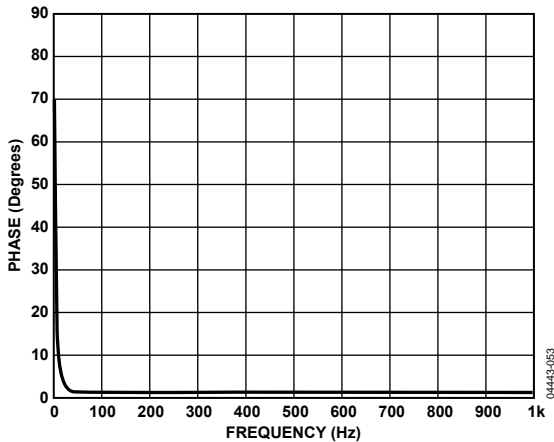


Figure 53. Phase Response of the HPF and Phase Compensation (10 Hz to 1 kHz)

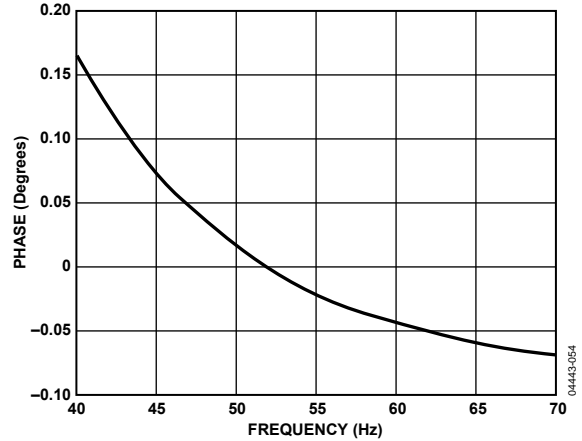


Figure 54. Phase Response of the HPF and Phase Compensation (40 Hz to 70 Hz)

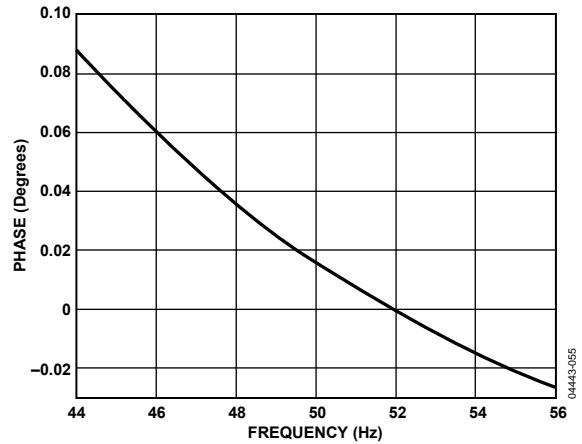


Figure 55. Phase Response of HPF and Phase Compensation (44 Hz to 56 Hz)

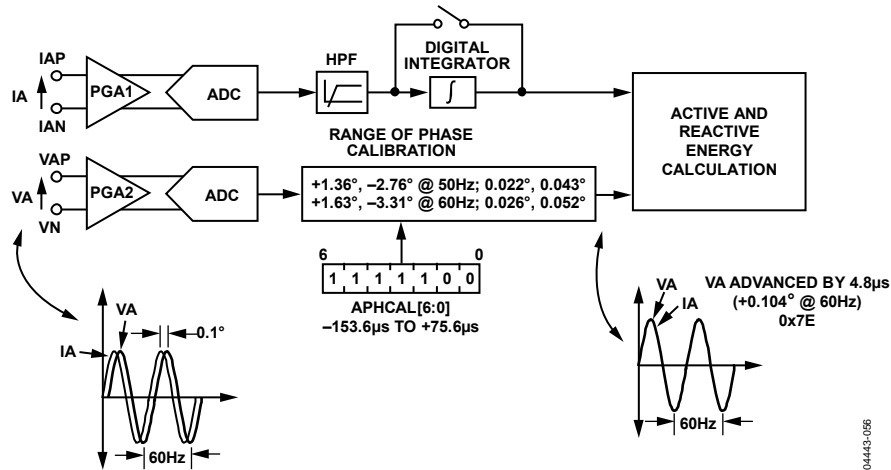


Figure 56. Phase Calibration on Voltage Channels

PERIOD MEASUREMENT

The ADE7758 provides the period or frequency measurement of the line voltage. The period is measured on the phase specified by Bit 0 to Bit 1 of the MMODE register. The period register is an unsigned 12-bit FREQ register and is updated every four periods of the selected phase.

Bit 7 of the LCYCMODE selects whether the period register displays the frequency or the period. Setting this bit causes the register to display the period. The default setting is logic low, which causes the register to display the frequency.

When set to measure the period, the resolution of this register is 96/CLKIN per LSB (9.6 µs/LSB when CLKIN is 10 MHz), which represents 0.06% when the line frequency is 60 Hz. At 60 Hz, the value of the period register is 1737d. At 50 Hz, the value of the period register is 2084d. When set to measure frequency, the value of the period register is approximately 960d at 60 Hz and 800d at 50 Hz. This is equivalent to 0.0625 Hz/LSB.

LINE VOLTAGE SAG DETECTION

The ADE7758 can be programmed to detect when the absolute value of the line voltage of any phase drops below a certain peak value for a number of half cycles. Each phase of the voltage channel is controlled simultaneously. This condition is illustrated in Figure 57.

Figure 57 shows a line voltage fall below a threshold, which is set in the SAG level register (SAGLVL[7:0]), for nine half cycles. Because the SAG cycle register indicates a six half-cycle threshold (SAGCYC[7:0] = 0x06), the SAG event is recorded at the end of the sixth half cycle by setting the SAG flag of the corresponding phase in the interrupt status register (Bit 1 to Bit 3 in the interrupt status register).

If the SAG enable bit is set to Logic 1 for this phase (Bit 1 to Bit 3 in the interrupt mask register), the IRQ logic output goes active low (see the Interrupts section). The phases are compared to the same parameters defined in the SAGLVL and SAGCYC registers.

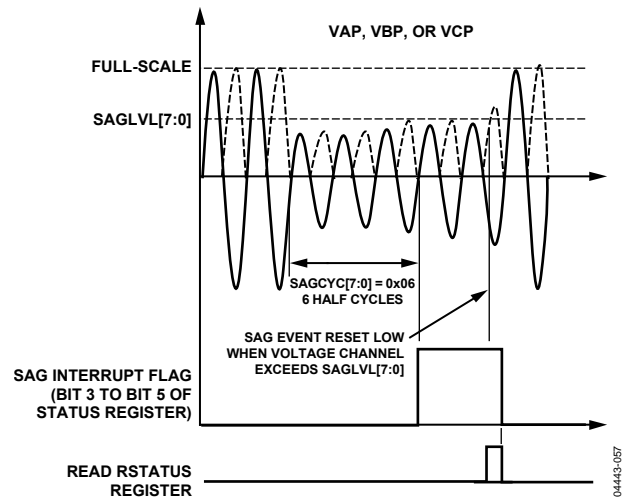


Figure 57. ADE7758 SAG Detection

Figure 57 shows a line voltage fall below a threshold, which is set in the SAG level register (SAGLVL[7:0]), for nine half cycles. Because the SAG cycle register indicates a six half-cycle threshold (SAGCYC[7:0] = 0x06), the SAG event is recorded at the end of the sixth half cycle by setting the SAG flag of the corresponding phase in the interrupt status register (Bit 1 to Bit 3 in the interrupt status register). If the SAG enable bit is set to Logic 1 for this phase (Bit 1 to Bit 3 in the interrupt mask register), the IRQ logic output goes active low (see the Interrupts section). The phases are compared to the same parameters defined in the SAGLVL and SAGCYC registers.

SAG LEVEL SET

The contents of the single-byte SAG level register, SAGLVL[0:7], are compared to the absolute value of Bit 6 to Bit 13 from the voltage waveform samples. For example, the nominal maximum code of the voltage channel waveform samples with a full-scale signal input at 60 Hz is 0x2748 (see the Voltage Channel Sampling section). Bit 13 to Bit 6 are 0x9D. Therefore, writing 0x9D to the SAG level register puts the SAG detection level at full scale and sets the SAG detection to its most sensitive value.

The detection is made when the content of the SAGLVL[7:0] register is greater than the incoming sample. Writing 0x00 puts the SAG detection level at 0. The detection of a decrease of an input voltage is disabled in this case.

PEAK VOLTAGE DETECTION

The ADE7758 can record the peak of the voltage waveform and produce an interrupt if the current exceeds a preset limit.

Peak Voltage Detection Using the VPEAK Register

The peak absolute value of the voltage waveform within a fixed number of half-line cycles is stored in the VPEAK register. Figure 58 illustrates the timing behavior of the peak voltage detection.

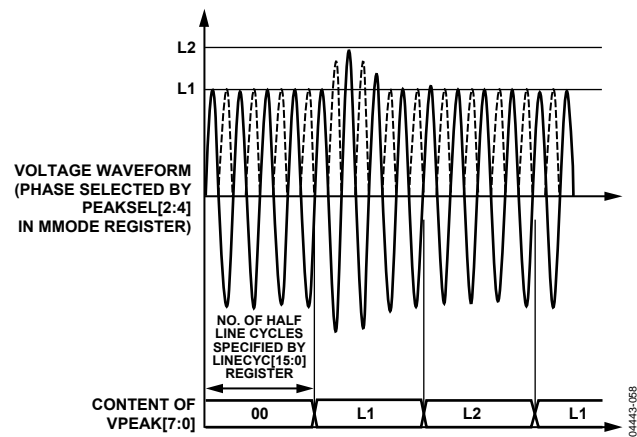


Figure 58. Peak Voltage Detection Using the VPEAK Register

Note that the content of the VPEAK register is equivalent to Bit 6 to Bit 13 of the 16-bit voltage waveform sample. At full-scale analog input, the voltage waveform sample at 60 Hz is 0x2748. The VPEAK at full-scale input is, therefore, expected to be 0x9D.

In addition, multiple phases can be activated for the peak detection simultaneously by setting multiple bits among the PEAKSEL[2:4] bits in the MMODE register. These bits select the phase for both voltage and current peak measurements.

Note that if more than one bit is set, the VPEAK and IPEAK registers can hold values from two different phases, that is, the voltage and current peak are independently processed (see the Peak Current Detection section).

Note that the number of half-line cycles is based on counting the zero crossing of the voltage channel. The ZXSEL[2:0] bits in the LCYCMODE register determine which voltage channels are used for the zero-crossing detection (see Table 22). The same signal is also used for line cycle energy accumulation mode if activated.

Overvoltage Detection Interrupt

Figure 59 illustrates the behavior of the overvoltage detection.

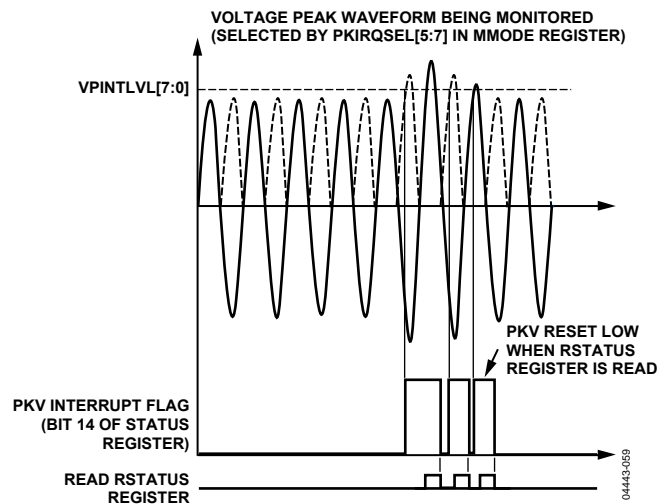


Figure 59. ADE7758 Overvoltage Detection

Note that the content of the VPINTLVL[7:0] register is equivalent to Bit 6 to Bit 13 of the 16-bit voltage waveform samples; therefore, setting this register to 0x9D represents putting the peak detection at full-scale analog input. Figure 59 shows a voltage exceeding a threshold. By setting the PKV flag (Bit 14) in the interrupt status register, the overvoltage event is recorded. If the PKV enable bit is set to Logic 1 in the interrupt mask register, the $\overline{\text{IRQ}}$ logic output goes active low (see the Interrupts section).

Multiple phases can be activated for peak detection. If any of the active phases produce waveform samples above the threshold, the PKV flag in the interrupt status register is set. The phase in which overvoltage is monitored is set by the PKIRQSEL[5:7] bits in the MMODE register (see Table 19).

PHASE SEQUENCE DETECTION

The ADE7758 has an on-chip phase sequence error detection interrupt. This detection works on phase voltages and considers all associated zero crossings. The regular succession of these zero crossings events is a negative to positive transition on Phase A, followed by a positive to negative transition on Phase C, followed by a negative to positive transition on Phase B, and so on.

On the [ADE7758](#), if the regular succession of the zero crossings presented above happens, the SEQERR bit (Bit 19) in the STATUS register is set (Figure 60). If SEQERR is set in the mask register, the $\overline{\text{IRQ}}$ logic output goes active low (see the Interrupts section).

If the regular zero crossing succession does not occur, that is when a negative to positive transition on Phase A followed by a positive to negative transition on Phase B, followed by a negative to positive transition on Phase C, and so on, the SEQERR bit (Bit 19) in the STATUS register is cleared to 0.

To have the [ADE7758](#) trigger SEQERR status bit when the zero crossing regular succession does not occur, the analog inputs for Phase C and Phase B should be swapped. In this case, the Phase B voltage input should be wired to the VCP pin, and the Phase C voltage input should be wired to the VBP pin.

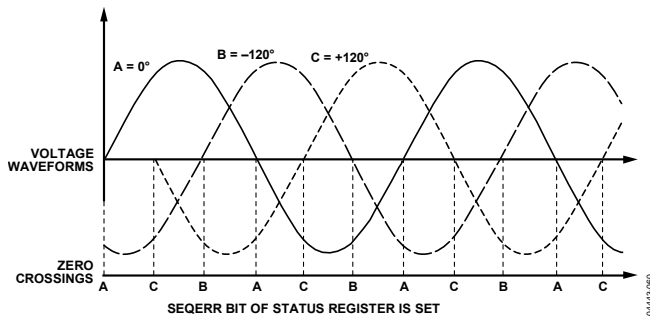


Figure 60. Regular Phase Sequence Sets SEQERR Bit to 1

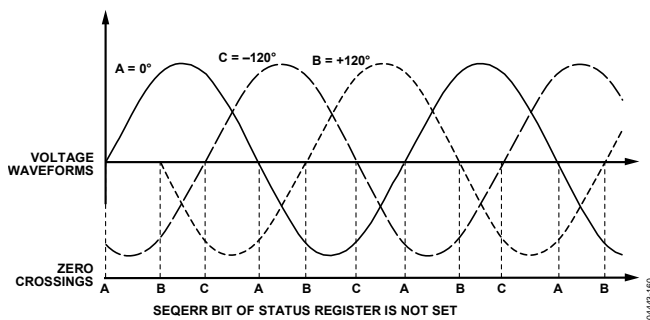


Figure 61. Erroneous Phase Sequence Clears SEQERR Bit to 0

POWER-SUPPLY MONITOR

The [ADE7758](#) also contains an on-chip power-supply monitor. The analog supply (AVDD) is monitored continuously by the [ADE7758](#). If the supply is less than $4\text{ V} \pm 5\%$, the [ADE7758](#) goes into an inactive state, that is, no energy is accumulated when the supply voltage is below 4 V. This is useful to ensure correct device operation at power-up and during power-down. The power-supply monitor has built-in hysteresis and filtering. This gives a high degree of immunity to false triggering due to noisy supplies. When AVDD returns above $4\text{ V} \pm 5\%$, the [ADE7758](#) waits $18\ \mu\text{s}$ for the voltage to achieve the recommended voltage range, $5\text{ V} \pm 5\%$ and then becomes ready to function. Figure 62 shows the behavior of the [ADE7758](#) when the voltage of AVDD falls below the power-supply

monitor threshold. The power supply and decoupling for the part should be designed such that the ripple at AVDD does not exceed $5\text{ V} \pm 5\%$ as specified for normal operation.

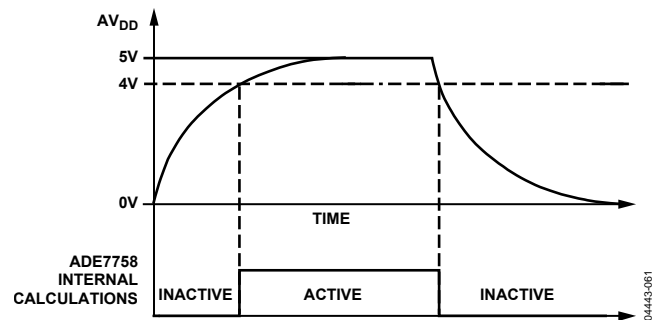


Figure 62. On-Chip, Power-Supply Monitoring

REFERENCE CIRCUIT

The nominal reference voltage at the $\text{REF}_{\text{IN/OUT}}$ pin is 2.42 V. This is the reference voltage used for the ADCs in the [ADE7758](#). However, the current channels have three input range selections (full scale is selectable among 0.5 V, 0.25 V, and 0.125 V). This is achieved by dividing the reference internally by 1, $\frac{1}{2}$, and $\frac{1}{4}$. The reference value is used for the ADC in the current channels. Note that the full-scale selection is only available for the current inputs.

The $\text{REF}_{\text{IN/OUT}}$ pin can be overdriven by an external source, for example, an external 2.5 V reference. Note that the nominal reference value supplied to the ADC is now 2.5 V and not 2.42 V. This has the effect of increasing the nominal analog input signal range by $2.5/2.42 \times 100\% = 3\%$ or from 0.5 V to 0.5165 V.

The voltage of the [ADE7758](#) reference drifts slightly with temperature; see the Specifications section for the temperature coefficient specification (in ppm/°C). The value of the temperature drift varies from part to part. Because the reference is used for all ADCs, any $\times\%$ drift in the reference results in a $2\times\%$ deviation of the meter accuracy. The reference drift resulting from temperature changes is usually very small and typically much smaller than the drift of other components on a meter. Alternatively, the meter can be calibrated at multiple temperatures.

TEMPERATURE MEASUREMENT

The [ADE7758](#) also includes an on-chip temperature sensor. A temperature measurement is made every $4/\text{CLKIN}$ seconds. The output from the temperature sensing circuit is connected to an ADC for digitizing. The resultant code is processed and placed in the temperature register (TEMP[7:0]). This register can be read by the user and has an address of 0x11 (see the Serial Interface section). The contents of the temperature register are signed (twos complement) with a resolution of $3^\circ\text{C}/\text{LSB}$. The offset of this register may vary significantly from part to part. To calibrate this register, the nominal value should be measured, and the equation should be adjusted accordingly.

$$Temp (^{\circ}C) = [(TEMP[7:0] - Offset) \times 3^{\circ}C/LSB] + Ambient(^{\circ}C) \quad (4)$$

For example, if the temperature register produces a code of 0x46 at ambient temperature (25°C), and the temperature register currently reads 0x50, then the temperature is 55°C :

$$Temp (^{\circ}C) = [(0x50 - 0x46) \times 3^{\circ}C/LSB] + 25^{\circ}C = 55^{\circ}C$$

Depending on the nominal value of the register, some finite temperature can cause the register to roll over. This should be compensated for in the system master (MCU).

The ADE7758 temperature register varies with power supply. It is recommended to use the temperature register only in applications with a fixed, stable power supply. Typical error with respect to power supply variation is show in Table 5.

Table 5. Temperature Register Error with Power Supply Variation

	4.5 V	4.75 V	5 V	5.25 V	5.5 V
Register Value	219	216	214	211	208
% Error	+2.34	+0.93	0	-1.40	-2.80

ROOT MEAN SQUARE MEASUREMENT

Root mean square (rms) is a fundamental measurement of the magnitude of an ac signal. Its definition can be both practical and mathematical. Defined practically, the rms value assigned to an ac signal is the amount of dc required to produce an equivalent amount of power in the load. Mathematically, the rms value of a continuous signal f(t) is defined as

$$FRMS = \sqrt{\frac{1}{T} \int_0^T f^2(t) dt} \quad (5)$$

For time sampling signals, rms calculation involves squaring the signal, taking the average, and obtaining the square root.

$$FRMS = \sqrt{\frac{1}{N} \sum_{n=1}^N f^2[n]} \quad (6)$$

The method used to calculate the rms value in the ADE7758 is to low-pass filter the square of the input signal (LPF3) and take the square root of the result (see Figure 63).

$$i(t) = \sqrt{2} \times IRMS \times \sin(\omega t) \quad (7)$$

then

$$i^2(t) = IRMS^2 - IRMS^2 \times \cos(\omega t) \quad (8)$$

The rms calculation is simultaneously processed on the six analog input channels. Each result is available in separate registers.

While the ADE7758 measures nonsinusoidal signals, it should be noted that the voltage rms measurement, and therefore the apparent energy, are bandlimited to 260 Hz. The current rms as well as the active power have a bandwidth of 14 kHz.

Current RMS Calculation

Figure 63 shows the detail of the signal processing chain for the rms calculation on one of the phases of the current channel. The current channel rms value is processed from the samples used in the current channel waveform sampling mode. The current rms values are stored in 24-bit registers (AIRMS, BIRMS, and CIRMS). One LSB of the current rms register is equivalent to one LSB of the current waveform sample. The update rate of the current rms measurement is CLKIN/12.

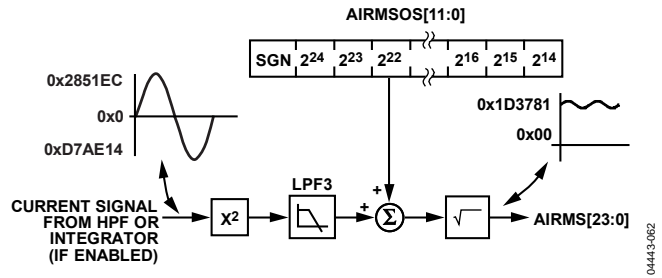


Figure 63. Current RMS Signal Processing

With the specified full-scale analog input signal of 0.5 V, the ADC produces an output code that is approximately ±2,642,412d (see the Current Channel ADC section). The equivalent rms value of a full-scale sinusoidal signal at 60 Hz is 1,914,753 (0x1D3781).

The accuracy of the current rms is typically 0.5% error from the full-scale input down to 1/500 of the full-scale input. Additionally, this measurement has a bandwidth of 14 kHz. It is recommended to read the rms registers synchronous to the voltage zero crossings to ensure stability. The IRQ can be used to indicate when a zero crossing has occurred (see the Interrupts section).

Table 6 shows the settling time for the IRMS measurement, which is the time it takes for the rms register to reflect the value at the input to the current channel.

Table 6. Settling Time for IRMS Measurement

	63%	100%
Integrator Off	80 ms	960 ms
Integrator On	40 ms	1.68 sec

Current RMS Offset Compensation

The ADE7758 incorporates a current rms offset compensation register for each phase (AIRMSOS, BIRMSOS, and CIRMSOS). These are 12-bit signed registers that can be used to remove offsets in the current rms calculations. An offset can exist in the rms calculation due to input noises that are integrated in the dc component of $I^2(t)$. Assuming that the maximum value from the current rms calculation is 1,914,753d with full-scale ac inputs (60 Hz), one LSB of the current rms offset represents 0.94% of the measurement error at 60 dB down from full scale. The IRMS measurement is undefined at zero input. Calibration of the offset should be done at low current and values at zero input should be ignored. For details on how to calibrate the current rms measurement, see the Calibration section.

$$IRMS = \sqrt{IRMS_0^2 + 16384 \times IRMSOS} \tag{9}$$

where $IRMS_0$ is the rms measurement without offset correction.

Table 7. Approximate IRMS Register Values

Frequency (Hz)	Integrator Off (d)	Integrator On (d)
50	1,921,472	2,489,581
60	1,914,752	2,067,210

Voltage Channel RMS Calculation

Figure 64 shows the details of the signal path for the rms estimation on Phase A of the voltage channel. This voltage rms estimation is done in the ADE7758 using the mean absolute value calculation, as shown in Figure 64. The voltage channel rms value is processed from the waveform samples after the low-pass filter LPF1. The output of the voltage channel ADC can be scaled by $\pm 50\%$ by changing VRMSGAIN[11:0] registers to perform an overall rms voltage calibration. The VRMSGAIN registers scale the rms calculations as well as the apparent energy calculation because apparent power is the product of the voltage and current rms values. The voltage rms values are stored in 24-bit registers (AVRMS, BVRMS, and CVRMS). One LSB of a voltage waveform sample is approximately equivalent to 256 LSBs of the voltage rms register. The update rate of the voltage rms measurement is $CLKIN/12$.

With the specified full-scale ac analog input signal of 0.5 V, the LPF1 produces an output code that is approximately 63% of its full-scale value, that is, $\pm 9,372d$, at 60 Hz (see the Voltage Channel ADC section). The equivalent rms value of a full-scale ac signal is approximately 1,639,101 (0x1902BD) in the VRMS register.

The accuracy of the VRMS measurement is typically 0.5% error from the full-scale input down to 1/20 of the full-scale input. Additionally, this measurement has a bandwidth of 260 Hz. It is recommended to read the rms registers synchronous to the voltage zero crossings to ensure stability. The IRQ can be used to indicate when a zero crossing has occurred (see the Interrupts section).

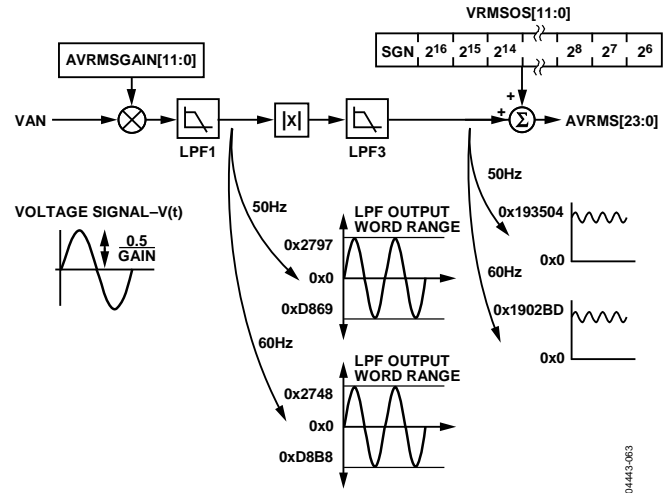


Figure 64. Voltage RMS Signal Processing

Table 8 shows the settling time for the VRMS measurement, which is the time it takes for the rms register to reflect the value at the input to the voltage channel.

Table 8. Settling Time for VRMS Measurement

63%	100%
100 ms	960 ms

Voltage RMS Offset Compensation

The ADE7758 incorporates a voltage rms offset compensation for each phase (AVRMSOS, BVRMSOS, and CVRMSOS). These are 12-bit signed registers that can be used to remove offsets in the voltage rms calculations. An offset can exist in the rms calculation due to input noises and offsets in the input samples. It should be noted that the offset calibration does not allow the contents of the VRMS registers to be maintained at 0 when no voltage is applied. This is caused by noise in the voltage rms calculation, which limits the usable range between full scale and 1/50th of full scale. One LSB of the voltage rms offset is equivalent to 64 LSBs of the voltage rms register.

Assuming that the maximum value from the voltage rms calculation is 1,639,101d with full-scale ac inputs, then 1 LSB of the voltage rms offset represents 0.042% of the measurement error at 1/10 of full scale.

$$VRMS = VRMS_0 + VRMSOS \times 64 \tag{10}$$

where $VRMS_0$ is the rms measurement without the offset correction.

Table 9. Approximate VRMS Register Values

Frequency (Hz)	Value (d)
50	1,678,210
60	1,665,118

Voltage RMS Gain Adjust

The ADC gain in each phase of the voltage channel can be adjusted for the rms calculation by using the voltage rms gain registers (AVRMSGAIN, BVRMSGAIN, and CVRMSGAIN). The gain of the voltage waveforms before LPF1 is adjusted by writing twos complement, 12-bit words to the voltage rms gain registers. Equation 11 shows how the gain adjustment is related to the contents of the voltage gain register.

Content of VRMSRegister =

$$\text{Nominal RMS Values Without Gain} \times \left(1 + \frac{\text{VRMSGAIN}}{2^{12}}\right) \quad (11)$$

For example, when 0x7FF is written to the voltage gain register, the RMS value is scaled up by 50%.

$$0x7FF = 2047d$$

$$2047/2^{12} = 0.5$$

Similarly, when 0x800, which equals -2047d (signed twos complement), is written the ADC output is scaled by -50%.

ACTIVE POWER CALCULATION

Electrical power is defined as the rate of energy flow from source to load. It is given by the product of the voltage and current waveforms. The resulting waveform is called the instantaneous power signal and it is equal to the rate of energy flow at every instant of time. The unit of power is the watt or joules/sec. Equation 14 gives an expression for the instantaneous power signal in an ac system.

$$v(t) = \sqrt{2} \times VRMS \times \sin(\omega t) \quad (12)$$

$$i(t) = \sqrt{2} \times IRMS \times \sin(\omega t) \quad (13)$$

where VRMS = rms voltage and IRMS = rms current.

$$p(t) = v(t) \times i(t)$$

$$p(t) = IRMS \times VRMS - IRMS \times VRMS \times \cos(2\omega t) \quad (14)$$

The average power over an integral number of line cycles (n) is given by the expression in Equation 15.

$$p = \frac{1}{nT} \int_0^{nT} p(t)dt = VRMS \times IRMS \quad (15)$$

where:

t is the line cycle period.

P is referred to as the active or real power. Note that the active power is equal to the dc component of the instantaneous power signal p(t) in Equation 14, that is, VRMS × IRMS. This is the relationship used to calculate the active power in the ADE7758 for each phase.

The instantaneous power signal p(t) is generated by multiplying the current and voltage signals in each phase. The dc component of the instantaneous power signal in each phase (A, B, and C) is then extracted by LPF2 (the low-pass filter) to obtain the average active power information on each phase. Figure 65 shows this process. The active power of each phase accumulates in the corresponding 16-bit watt-hour register (AWATTHR, BWATTHR, or CWATTHR). The input to each active energy register can be changed depending on the accumulation mode setting (see Table 22).

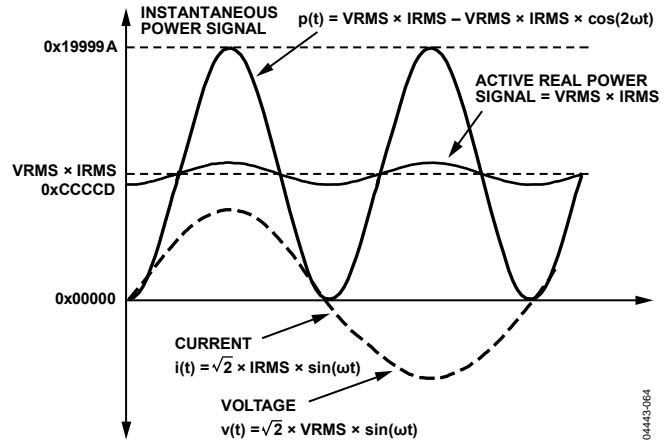


Figure 65. Active Power Calculation

Because LPF2 does not have an ideal brick wall frequency response (see Figure 66), the active power signal has some ripple due to the instantaneous power signal. This ripple is sinusoidal and has a frequency equal to twice the line frequency. Because the ripple is sinusoidal in nature, it is removed when the active power signal is integrated over time to calculate the energy.

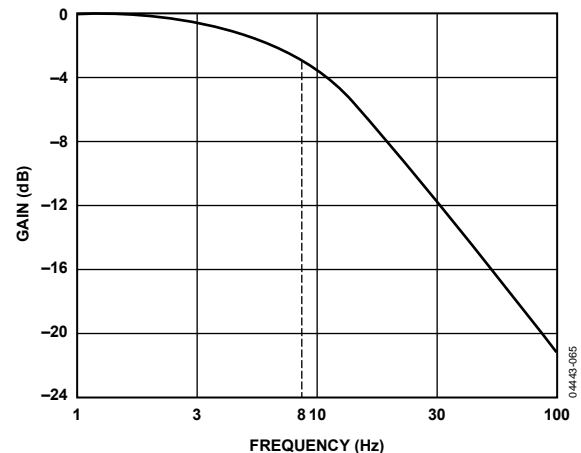


Figure 66. Frequency Response of the LPF Used to Filter Instantaneous Power in Each Phase

Active Power Gain Calibration

Note that the average active power result from the LPF output in each phase can be scaled by $\pm 50\%$ by writing to the phase's watt gain register (AWG, BWG, or CWG). The watt gain registers are twos complement, signed registers and have a resolution of 0.024%/LSB. Equation 16 describes mathematically the function of the watt gain registers.

$$\text{Average Power Data} = \text{LPF2 Output} \times \left(1 + \frac{\text{Watt Gain Register}}{2^{12}} \right) \quad (16)$$

The output is scaled by -50% by writing 0x800 to the watt gain registers and increased by $+50\%$ by writing 0x7FF to them. These registers can be used to calibrate the active power (or energy) calculation in the ADE7758 for each phase.

Active Power Offset Calibration

The ADE7758 also incorporates a watt offset register on each phase (AWATTOS, BWATTOS, and CWATTOS). These are signed twos complement, 12-bit registers that are used to remove offsets in the active power calculations. An offset can exist in the power calculation due to crosstalk between channels on the PCB or in the chip itself. The offset calibration allows the contents of the active power register to be maintained at 0 when no power is being consumed. One LSB in the active power offset register is equivalent to 1/16 LSB in the active power multiplier output. At full-scale input, if the output from the multiplier is 0xCCCCD (838,861d), then 1 LSB in the LPF2 output is equivalent to 0.0075% of measurement error at 60 dB down from full scale on the current channel. At -60 dB down on full scale (the input signal level is 1/1000 of full-scale signal inputs), the average word value from LPF2 is 838.861 (838,861/1000). One LSB is equivalent to $1/838.861/16 \times 100\% = 0.0075\%$ of the measured value. The active power offset register has a correction resolution equal to 0.0075% at -60 dB.

Sign of Active Power Calculation

Note that the average active power is a signed calculation. If the phase difference between the current and voltage waveform is more than 90° , the average power becomes negative. Negative power indicates that energy is being placed back on the grid. The ADE7758 has a sign detection circuitry for active power calculation.

The REVPAP bit (Bit 17) in the interrupt status register is set if the average power from any one of the phases changes sign. The phases monitored are selected by TERMSEL bits in the COMPMODE register (see Table 21). The TERMSEL bits are also used to select which phases are included in the APCF and VARCF pulse outputs. If the REVPAP bit is set in the mask register, the $\overline{\text{IRQ}}$ logic output goes active low (see the Interrupts section). Note that this bit is set whenever there are sign changes, that is, the REVPAP bit is set for both a positive-to-negative change and a negative-to-positive change of the sign bit. The response time of this bit is approximately 176 ms for a full-scale signal, which has an average value of 0xCCCCD at the low pass filter output. For smaller inputs, the time is longer.

$$\text{Response Time} \cong 160 \text{ ms} + \left[\frac{2^{25}}{\text{Average Value}} \right] \times \frac{4}{\text{CLKIN}} \quad (17)$$

The APCFNUM [15:13] indicate reverse power on each of the individual phases. Bit 15 is set if the sign of the power on Phase A is negative, Bit 14 for Phase B, and Bit 13 for Phase C.

No-Load Threshold

The ADE7758 has an internal no-load threshold on each phase. The no-load threshold can be activated by setting the NOLOAD bit (Bit 7) of the COMPMODE register. If the active power falls below 0.005% of full-scale input, the energy is not accumulated in that phase. As stated, the average multiplier output with full-scale input is 0xCCCCD. Therefore, if the average multiplier output falls below 0x2A, the power is not accumulated to avoid creep in the meter. The no-load threshold is implemented only on the active energy accumulation. The reactive and apparent energies do not have the no-load threshold option.

Active Energy Calculation

As previously stated, power is defined as the rate of energy flow. This relationship can be expressed mathematically as

$$\text{Power} = \frac{d\text{Energy}}{dt} \quad (18)$$

Conversely, Energy is given as the integral of power.

$$\text{Energy} = \int p(t) dt \quad (19)$$

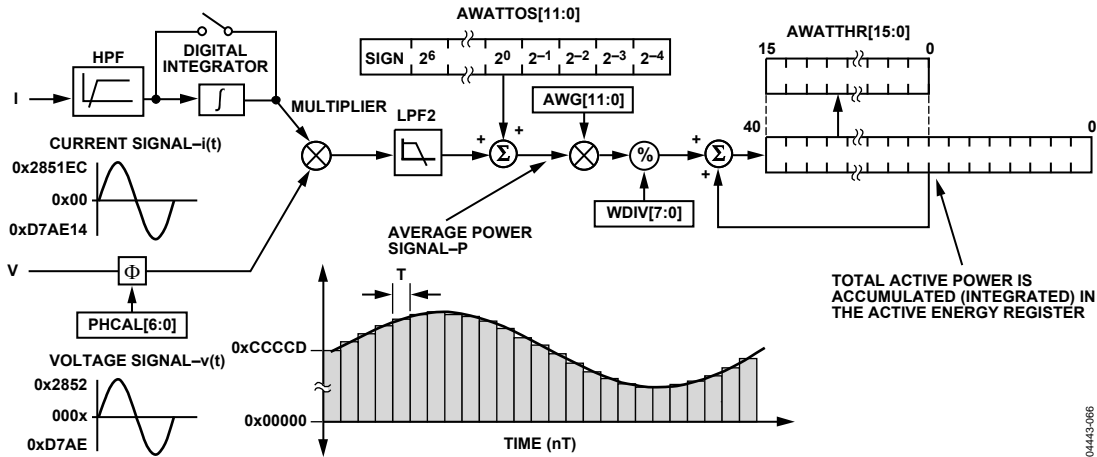


Figure 67. ADE7758 Active Energy Accumulation

The ADE7758 achieves the integration of the active power signal by continuously accumulating the active power signal in the internal 41-bit energy registers. The watt-hr registers (AWATTHR, BWATTHR, and CWATTHR) represent the upper 16 bits of these internal registers. This discrete time accumulation or summation is equivalent to integration in continuous time. Equation 20 expresses the relationship.

$$Energy = \int p(t)dt = \lim_{T \rightarrow 0} \left\{ \sum_{n=0}^{\infty} p(nT) \times T \right\} \quad (20)$$

where:

n is the discrete time sample number.
 T is the sample period.

Figure 67 shows a signal path of this energy accumulation. The average active power signal is continuously added to the internal active energy register. This addition is a signed operation. Negative energy is subtracted from the active energy register. Note the values shown in Figure 67 are the nominal full-scale values, that is, the voltage and current inputs at the corresponding phase are at their full-scale input level. The average active power is divided by the content of the watt divider register before it is added to the corresponding watt-hr accumulation registers. When the value in the WDIV[7:0] register is 0 or 1, active power is accumulated without division. WDIV is an 8-bit unsigned register that is useful to lengthen the time it takes before the watt-hr accumulation registers overflow.

Figure 68 shows the energy accumulation for full-scale signals (sinusoidal) on the analog inputs. The three displayed curves show the minimum time it takes for the watt-hr accumulation register to overflow when the watt gain register of the corresponding phase equals to 0x7FE, 0x000, and 0x800. The watt gain registers are used to carry out a power calibration in the ADE7758. As shown, the fastest integration time occurs when the watt gain registers are set to maximum full scale, that is, 0x7FE.

This is the time it takes before overflow can be scaled by writing to the WDIV register and therefore can be increased by a maximum factor of 255.

Note that the active energy register content can roll over to full-scale negative (0x8000) and continue increasing in value when the active power is positive (see Figure 67). Conversely, if the active power is negative, the energy register would under flow to full-scale positive (0x7FFF) and continue decreasing in value.

By setting the AEHF bit (Bit 0) of the interrupt mask register, the ADE7758 can be configured to issue an interrupt (IRQ) when Bit 14 of any one of the three watt-hr accumulation registers has changed, indicating that the accumulation register is half full (positive or negative).

Setting the RSTREAD bit (Bit 6) of the LCYMODE register enables a read-with-reset for the watt-hr accumulation registers, that is, the registers are reset to 0 after a read operation.

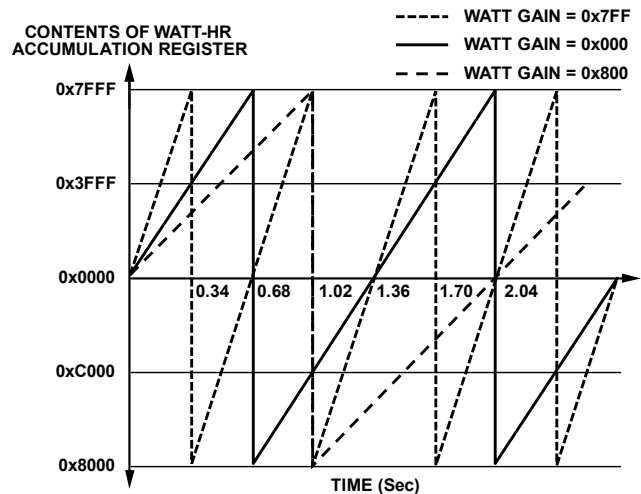


Figure 68. Energy Register Roll-Over Time for Full-Scale Power (Minimum and Maximum Power Gain)

Integration Time Under Steady Load

The discrete time sample period (T) for the accumulation register is 0.4 μs (4/CLKIN). With full-scale sinusoidal signals on the analog inputs and the watt gain registers set to 0x000, the average word value from each LPF2 is 0xCCCCD (see Figure 65 and Figure 67). The maximum value that can be stored in the watt-hr accumulation register before it overflows is 2¹⁵ – 1 or 0x7FFF. Because the average word value is added to the internal register, which can store 2⁴⁰ – 1 or 0xFF, FFFF, FFFF before it overflows, the integration time under these conditions with WDIV = 0 is calculated as

$$Time = \frac{0xFF, FFFF, FFFF}{0xCCCCD} \times 0.4 \mu s = 0.524 \text{ sec} \quad (21)$$

When WDIV is set to a value different from 0, the time before overflow is scaled accordingly as shown in Equation 22.

$$Time = Time (WDIV = 0) \times WDIV[7:0] \quad (22)$$

Energy Accumulation Mode

The active power accumulated in each watt-hr accumulation register (AWATTHR, BWATTHR, or CWATTHR) depends on the configuration of the CONSEL bits in the COMPMODE register (Bit 0 and Bit 1). The different configurations are described in Table 10.

Table 10. Inputs to Watt-Hr Accumulation Registers

CONSEL[1, 0]	AWATTHR	BWATTHR	CWATTHR
00	VA × IA	VB × IB	VC × IC
01	VA × (IA – IB)	0	VC × (IC – IB)
10	VA × (IA – IB)	0	VC × IC
11	Reserved	Reserved	Reserved

Depending on the poly phase meter service, the appropriate formula should be chosen to calculate the active energy. The American ANSI C12.10 Standard defines the different configurations of the meter.

Table 11 describes which mode should be chosen in these different configurations.

Table 11. Meter Form Configuration

ANSI Meter Form	CONSEL (d)	TERMSEL (d)
5S/13S	3-Wire Delta	0
6S/14S	4-Wire Wye	1
8S/15S	4-Wire Delta	2
9S/16S	4-Wire Wye	0

Active Power Frequency Output

Pin 1 (APCF) of the ADE7758 provides frequency output for the total active power. After initial calibration during manufacturing, the manufacturer or end customer often verifies the energy meter calibration. One convenient way to verify the meter calibration is for the manufacturer to provide an output frequency that is proportional to the energy or active power under steady load conditions. This output frequency can provide a

simple, single-wire, optically isolated interface to external calibration equipment. Figure 69 illustrates the energy-to-frequency conversion in the ADE7758.

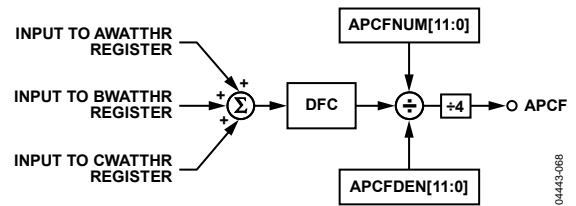


Figure 69. Active Power Frequency Output

A digital-to-frequency converter (DFC) is used to generate the APCF pulse output from the total active power. The TERMSEL bits (Bit 2 to Bit 4) of the COMPMODE register can be used to select which phases to include in the total power calculation. Setting Bit 2, Bit 3, and Bit 4 includes the input to the AWATTHR, BWATTHR, and CWATTHR registers in the total active power calculation. The total active power is signed addition. However, setting the ABS bit (Bit 5) in the COMPMODE register enables the absolute-only mode; that is, only the absolute value of the active power is considered.

The output from the DFC is divided down by a pair of frequency division registers before being sent to the APCF pulse output. Namely, APCFDEN/APCFNUM pulses are needed at the DFC output before the APCF pin outputs a pulse. Under steady load conditions, the output frequency is directly proportional to the total active power. The pulse width of APCF is 64/CLKIN if APCFNUM and APCFDEN are both equal. If APCFDEN is greater than APCFNUM, the pulse width depends on APCFDEN. The pulse width in this case is T × (APCFDEN/2), where T is the period of the APCF pulse and APCFDEN/2 is rounded to the nearest whole number. An exception to this is when the period is greater than 180 ms. In this case, the pulse width is fixed at 90 ms.

The maximum output frequency (APCFNUM = 0x00 and APCFDEN = 0x00) with full-scale ac signals on one phase is approximately 16 kHz.

The ADE7758 incorporates two registers to set the frequency of APCF (APCFNUM[11:0] and APCFDEN[11:0]). These are unsigned 12-bit registers that can be used to adjust the frequency of APCF by 1/2¹² to 1 with a step of 1/2¹². For example, if the output frequency is 1.562 kHz while the contents of APCFDEN are 0 (0x000), then the output frequency can be set to 6.103 Hz by writing 0xFF to the APCFDEN register.

If 0 were written to any of the frequency division registers, the divider would use 1 in the frequency division. In addition, the ratio APCFNUM/APCFDEN should be set not greater than 1 to ensure proper operation. In other words, the APCF output frequency cannot be higher than the frequency on the DFC output.

The output frequency has a slight ripple at a frequency equal to 2× the line frequency. This is due to imperfect filtering of the instantaneous power signal to generate the active power signal

(see the Active Power Calculation section). Equation 14 gives an expression for the instantaneous power signal. This is filtered by LPF2, which has a magnitude response given by Equation 23.

$$H(f) = \frac{1}{\sqrt{1 + \frac{f^2}{8^2}}} \quad (23)$$

The active power signal (output of the LPF2) can be rewritten as

$$p(t) = VRMS \times IRMS - \left[\frac{VRMS \times IRMS}{\sqrt{1 + \frac{(2f_1)^2}{8^2}}} \right] \times \cos(4\pi f_1 t) \quad (24)$$

where f_1 is the line frequency, for example, 60 Hz.

From Equation 24, E(t) equals

$$VRMS \times IRMS \times t - \left[\frac{VRMS \times IRMS}{4\pi f_1 \sqrt{1 + \frac{(2f_1)^2}{8^2}}} \right] \times \cos(4\pi f_1 t) \quad (25)$$

From Equation 25, it can be seen that there is a small ripple in the energy calculation due to the $\sin(2\omega t)$ component (see Figure 70). The ripple gets larger with larger loads. Choosing a lower output frequency for APCF during calibration by using a large APCFDEN value and keeping APCFNUM relatively small can significantly reduce the ripple. Averaging the output frequency over a longer period achieves the same results.

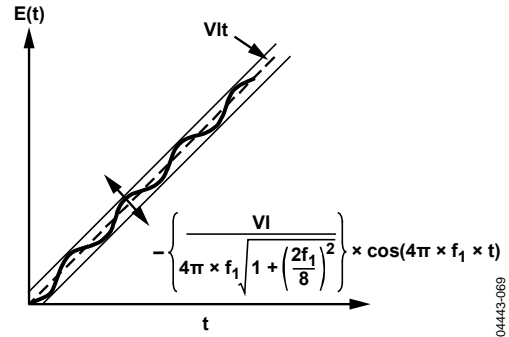


Figure 70. Output Frequency Ripple

Line Cycle Active Energy Accumulation Mode

The ADE7758 is designed with a special energy accumulation mode that simplifies the calibration process. By using the on-chip, zero-crossing detection, the ADE7758 updates the watt-hr accumulation registers after an integer number of zero crossings (see Figure 71). The line-active energy accumulation mode for watt-hr accumulation is activated by setting the LWATT bit (Bit 0) of the LCYCMODE register. The total energy accumulated over an integer number of half-line cycles is written to the watt-hr accumulation registers after the LINECYC number of zero crossings is detected. When using the line cycle accumulation mode, the RSTREAD bit (Bit 6) of the LCYCMODE register should be set to Logic 0.

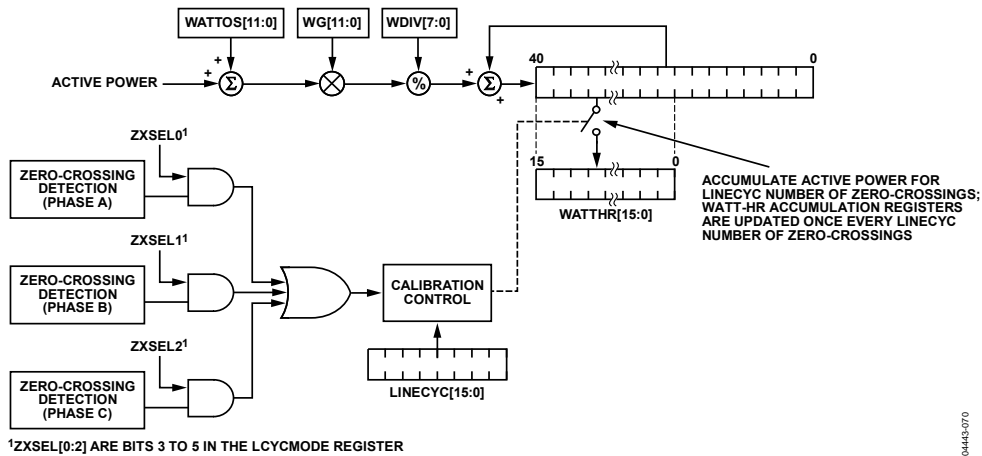


Figure 71. ADE7758 Line Cycle Active Energy Accumulation Mode

Phase A, Phase B, and Phase C zero crossings are, respectively, included when counting the number of half-line cycles by setting ZXSEL[0:2] bits (Bit 3 to Bit 5) in the LCYCMODE register. Any combination of the zero crossings from all three phases can be used for counting the zero crossing. Only one phase should be selected at a time for inclusion in the zero crossings count during calibration (see the Calibration section).

The number of zero crossings is specified by the LINECYC register. LINECYC is an unsigned 16-bit register. The ADE7758 can accumulate active power for up to 65535 combined zero crossings. Note that the internal zero-crossing counter is always active. By setting the LWATT bit, the first energy accumulation result is, therefore, incorrect. Writing to the LINECYC register when the LWATT bit is set resets the zero-crossing counter, thus ensuring that the first energy accumulation result is accurate.

At the end of an energy calibration cycle, the LENERGY bit (Bit 12) in the STATUS register is set. If the corresponding mask bit in the interrupt mask register is enabled, the $\overline{\text{IRQ}}$ output also goes active low; thus, the $\overline{\text{IRQ}}$ can also be used to signal the end of a calibration.

Because active power is integrated on an integer number of half-line cycles in this mode, the sinusoidal component is reduced to 0, eliminating any ripple in the energy calculation. Therefore, total energy accumulated using the line-cycle accumulation mode is

$$E(t) = VRMS \times IRMS \times t \tag{26}$$

where t is the accumulation time.

Note that line cycle active energy accumulation uses the same signal path as the active energy accumulation. The LSB size of these two methods is equivalent. Using the line cycle accumulation to calculate the kWh/LSB constant results in a value that can be applied to the WATTHR registers when the line accumulation mode is not selected (see the Calibration section).

REACTIVE POWER CALCULATION

A load that contains a reactive element (inductor or capacitor) produces a phase difference between the applied ac voltage and the resulting current. The power associated with reactive elements is called reactive power, and its unit is VAR. Reactive power is defined as the product of the voltage and current waveforms when one of these signals is phase shifted by 90°.

Equation 30 gives an expression for the instantaneous reactive power signal in an ac system when the phase of the current channel is shifted by +90°.

$$v(t) = \sqrt{2} V \sin(\omega t - \theta) \tag{27}$$

$$i(t) = \sqrt{2} I \sin(\omega t) \tag{28}$$

$$i'(t) = \sqrt{2} I \sin\left(\omega t + \frac{\pi}{2}\right) \tag{28}$$

where:

v = rms voltage.

i = rms current.

θ = total phase shift caused by the reactive elements in the load.

Then the instantaneous reactive power $q(t)$ can be expressed as

$$q(t) = v(t) \times i'(t) \tag{29}$$

$$q(t) = VI \cos\left(-\theta - \frac{\pi}{2}\right) - VI \cos\left(2\omega t - \theta - \frac{\pi}{2}\right) \tag{29}$$

where $i'(t)$ is the current waveform phase shifted by 90°.

Note that $q(t)$ can be rewritten as

$$q(t) = VI \sin(\theta) + VI \sin(2\omega t - \theta) \tag{30}$$

The average reactive power over an integral number of line cycles (n) is given by the expression in Equation 31.

$$Q = \frac{1}{nT} \int_0^{nT} q(t) dt = V \times I \times \sin(\theta) \tag{31}$$

where:

T is the period of the line cycle.

Q is referred to as the average reactive power. The instantaneous reactive power signal $q(t)$ is generated by multiplying the voltage signals and the 90° phase-shifted current in each phase.

The dc component of the instantaneous reactive power signal in each phase (A, B, and C) is then extracted by a low-pass filter to obtain the average reactive power information on each phase. This process is illustrated in Figure 72. The reactive power of each phase is accumulated in the corresponding 16-bit VAR-hour register (AVARHR, BVARHR, or CVARHR). The input to each reactive energy register can be changed depending on the accumulation mode setting (see Table 21).

The frequency response of the LPF in the reactive power signal path is identical to that of the LPF2 used in the average active power calculation (see Figure 66).

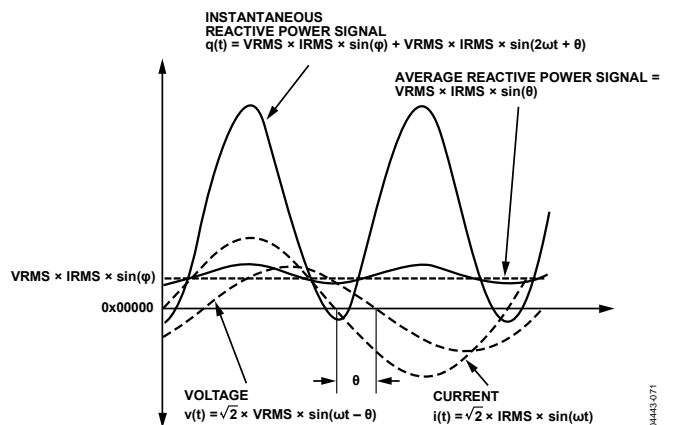


Figure 72. Reactive Power Calculation

The low-pass filter is nonideal, so the reactive power signal has some ripple. This ripple is sinusoidal and has a frequency equal to 2× the line frequency. Because the ripple is sinusoidal in nature, it is removed when the reactive power signal is integrated over time to calculate the reactive energy.

The phase-shift filter has -90° phase shift when the integrator is enabled and $+90^\circ$ phase shift when the integrator is disabled. In addition, the filter has a nonunity magnitude response. Because the phase-shift filter has a large attenuation at high frequency, the reactive power is primarily for the calculation at line frequency. The effect of harmonics is largely ignored in the reactive power calculation. Note that because of the magnitude characteristic of the phase shifting filter, the LSB weight of the reactive power calculation is slightly different from that of the active power calculation (see the Energy Registers Scaling section). The ADE7758 uses the line frequency of the phase selected in the FREQSEL[1:0] bits of the MMODE[1:0] to compensate for attenuation of the reactive energy phase shift filter over frequency (see the Period Measurement section).

Reactive Power Gain Calibration

The average reactive power from the LPF output in each phase can be scaled by $\pm 50\%$ by writing to the phase's VAR gain register (AVARG, BVARG, or CVARG). The VAR gain registers are twos complement, signed registers and have a resolution of 0.024%/LSB. The function of the VAR gain registers is expressed by

$$\text{Average Reactive Power} = \text{LPF2Output} \times \left(1 + \frac{\text{VAR Gain Register}}{2^{12}} \right) \quad (32)$$

The output is scaled by -50% by writing 0x800 to the VAR gain registers and increased by $+50\%$ by writing 0x7FF to them. These registers can be used to calibrate the reactive power (or energy) calculation in the ADE7758 for each phase.

Reactive Power Offset Calibration

The ADE7758 incorporates a VAR offset register on each phase (AVAROS, BVAROS, and CVAROS). These are signed twos complement, 12-bit registers that are used to remove offsets in the reactive power calculations. An offset can exist in the power calculation due to crosstalk between channels on the PCB or in the chip itself. The offset calibration allows the contents of the reactive power register to be maintained at 0 when no reactive power is being consumed. The offset registers' resolution is the same as the active power offset registers (see the Apparent Power Offset Calibration section).

Sign of Reactive Power Calculation

Note that the average reactive power is a signed calculation. As stated previously, the phase shift filter has -90° phase shift when the integrator is enabled and $+90^\circ$ phase shift when the integrator is disabled.

Table 12 summarizes the relationship between the phase difference between the voltage and the current and the sign of the resulting VAR calculation.

The ADE7758 has a sign detection circuit for the reactive power calculation. The REVPRP bit (Bit 18) in the interrupt status register is set if the average reactive power from any one of the phases changes. The phases monitored are selected by TERMSEL

bits in the COMPMODE register (see Table 21). If the REVPRP bit is set in the mask register, the $\overline{\text{IRQ}}$ logic output goes active low (see the Interrupts section). Note that this bit is set whenever there is a sign change; that is, the bit is set for either a positive-to-negative change or a negative-to-positive change of the sign bit. The response time of this bit is approximately 176 ms for a full-scale signal, which has an average value of 0xCCCCD at the low-pass filter output. For smaller inputs, the time is longer.

$$\text{ResponseTime} \cong 160 \text{ ms} + \left[\frac{2^{25}}{\text{AverageValue}} \right] \times \frac{4}{\text{CLKIN}} \quad (33)$$

Table 12. Sign of Reactive Power Calculation

Φ^1	Integrator	Sign of Reactive Power
Between 0 to $+90$	Off	Positive
Between -90 to 0	Off	Negative
Between 0 to $+90$	On	Positive
Between -90 to 0	On	Negative

¹ Φ is defined as the phase angle of the voltage signal minus the current signal; that is, Φ is positive if the load is inductive and negative if the load is capacitive.

Reactive Energy Calculation

Reactive energy is defined as the integral of reactive power.

$$\text{Reactive Energy} = \int q(t)dt \quad (34)$$

Similar to active power, the ADE7758 achieves the integration of the reactive power signal by continuously accumulating the reactive power signal in the internal 41-bit accumulation registers. The VAR-hr registers (AVARHR, BVARHR, and CVARHR) represent the upper 16 bits of these internal registers. This discrete time accumulation or summation is equivalent to integration in continuous time. Equation 35 expresses the relationship

$$\text{Reactive Energy} = \int q(t)dt = \lim_{T \rightarrow 0} \left\{ \sum_{n=0}^{\infty} q(nT) \times T \right\} \quad (35)$$

where:

n is the discrete time sample number.

T is the sample period.

Figure 73 shows the signal path of the reactive energy accumulation. The average reactive power signal is continuously added to the internal reactive energy register. This addition is a signed operation. Negative energy is subtracted from the reactive energy register. The average reactive power is divided by the content of the VAR divider register before it is added to the corresponding VAR-hr accumulation registers. When the value in the VARDIV[7:0] register is 0 or 1, the reactive power is accumulated without any division.

VARDIV is an 8-bit unsigned register that is useful to lengthen the time it takes before the VAR-hr accumulation registers overflow.

Similar to reactive power, the fastest integration time occurs when the VAR gain registers are set to maximum full scale, that is, 0x7FF. The time it takes before overflow can be scaled by writing to the VARDIV register; and, therefore, it can be increased by a maximum factor of 255.

When overflow occurs, the VAR-hr accumulation registers content can rollover to full-scale negative (0x8000) and continue increasing in value when the reactive power is positive. Conversely, if the reactive power is negative, the VAR-hr accumulation registers content can roll over to full-scale positive (0x7FFF) and continue decreasing in value.

By setting the REHF bit (Bit 1) of the interrupt mask register, the ADE7758 can be configured to issue an interrupt (IRQ) when Bit 14 of any one of the three VAR-hr accumulation registers has changed, indicating that the accumulation register is half full (positive or negative).

Setting the RSTREAD bit (Bit 6) of the LCYMODE register enables a read-with-reset for the VAR-hr accumulation registers; that is, the registers are reset to 0 after a read operation.

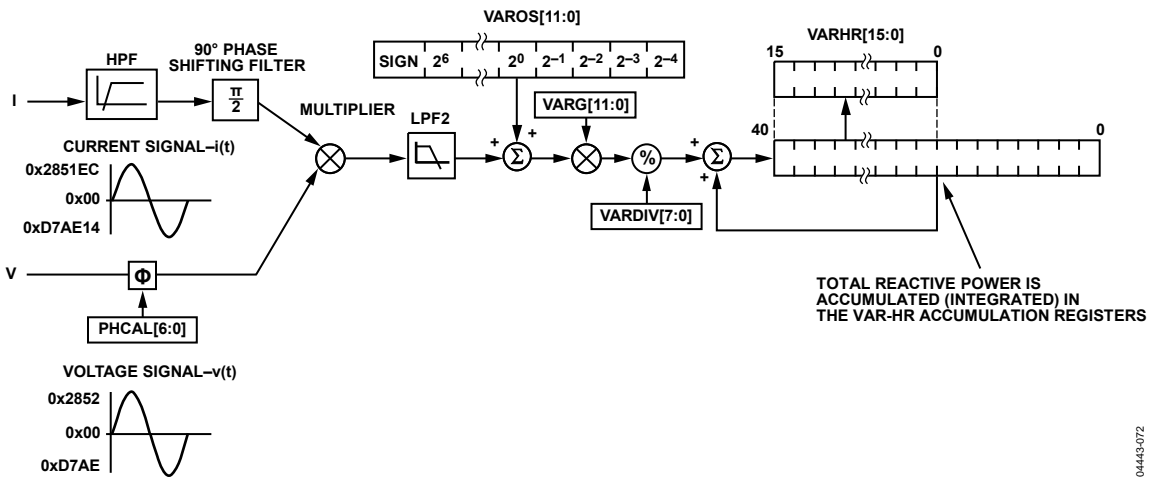


Figure 73. ADE7758 Reactive Energy Accumulation

04443-072

Integration Time Under Steady Load

The discrete time sample period (T) for the accumulation register is 0.4 μs (4/CLKIN). With full-scale sinusoidal signals on the analog inputs, a 90° phase difference between the voltage and the current signal (the largest possible reactive power), and the VAR gain registers set to 0x000, the average word value from each LPF2 is 0xCCCCD.

The maximum value that can be stored in the reactive energy register before it overflows is 2¹⁵ – 1 or 0x7FFF. Because the average word value is added to the internal register, which can store 2⁴⁰ – 1 or 0xFF, FFFF, FFFF before it overflows, the integration time under these conditions with VARDIV = 0 is calculated as

$$Time = \frac{0xFF, FFFF, FFFF}{0xCCCCD} \times 0.4 \mu s = 0.5243 \text{ sec} \quad (36)$$

When VARDIV is set to a value different from 0, the time before overflow are scaled accordingly as shown in Equation 37.

$$Time = Time(VARDIV = 0) \times VARDIV \quad (37)$$

Energy Accumulation Mode

The reactive power accumulated in each VAR-hr accumulation register (AVARHR, BVARHR, or CVARHR) depends on the configuration of the CONSEL bits in the COMPMODE register (Bit 0 and Bit 1). The different configurations are described in Table 13. Note that IA'/IB'/IC' are the current phase-shifted current waveform.

Table 13. Inputs to VAR-Hr Accumulation Registers

CONSEL[1, 0]	AVARHR	BVARHR	CVARHR
00	VA × IA'	VB × IB	VC × IC'
01	VA (IA' – IB')	0	VC (IC' – IB')
10	VA (IA' – IB')	0	VC × IC'
11	Reserved	Reserved	Reserved

Reactive Power Frequency Output

Pin 17 (VARCF) of the ADE7758 provides frequency output for the total reactive power. Similar to APCF, this pin provides an output frequency that is directly proportional to the total reactive power. The pulse width of VARPCF is 64/CLKIN if VARCFNUM and VARCFDEN are both equal. If VARCFDEN is greater than VARCFNUM, the pulse width depends on VARCFDEN. The pulse width in this case is T × (VARCFDEN/2), where T is the period of the VARCF pulse and VARCFDEN/2 is rounded to the nearest whole number. An exception to this is when the period is greater than 180 ms. In this case, the pulse width is fixed at 90 ms.

A digital-to-frequency converter (DFC) is used to generate the VARCF pulse output from the total reactive power. The TERMSEL bits (Bit 2 to Bit 4) of the COMPMODE register can be used to select which phases to include in the total reactive power calculation. Setting Bit 2, Bit 3, and Bit 4 includes the input to the AVARHR, BVARHR, and CVARHR registers in the total

reactive power calculation. The total reactive power is signed addition. However, setting the SAVAR bit (Bit 6) in the COMPMODE register enables absolute value calculation. If the active power of that phase is positive, no change is made to the sign of the reactive power. However, if the sign of the active power is negative in that phase, the sign of its reactive power is inverted before summing and creating VARCF pulses. This mode should be used in conjunction with the absolute value mode for active power (Bit 5 in the COMPMODE register) for APCF pulses.

The effects of setting the ABS and SAVAR bits of the COMPMODE register are as follows when ABS = 1 and SAVAR = 1:

If watt > 0, APCF = Watts, VARCF = +VAR.

If watt < 0, APCF = |Watts|, VARCF = –VAR.

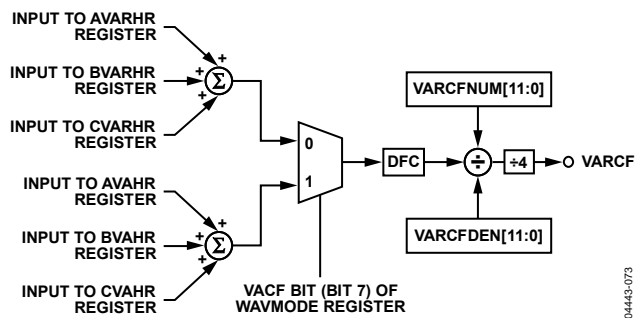


Figure 74. Reactive Power Frequency Output

The output from the DFC is divided down by a pair of frequency division registers before sending to the VARCF pulse output. Namely, VARCFDEN/VARCFNUM pulses are needed at the DFC output before the VARCF pin outputs a pulse. Under steady load conditions, the output frequency is directly proportional to the total reactive power.

Figure 74 illustrates the energy-to-frequency conversion in the ADE7758. Note that the input to the DFC can be selected between the total reactive power and total apparent power. Therefore, the VARCF pin can output frequency that is proportional to the total reactive power or total apparent power. The selection is made by setting the VACF bit (Bit 7) in the WAVMODE register. Setting this bit switches the input to the total apparent power. The default value of this bit is logic low. Therefore, the default output from the VARCF pin is the total reactive power.

All other operations of this frequency output are similar to that of the active power frequency output (see the Active Power Frequency Output section).

Line Cycle Reactive Energy Accumulation Mode

The line cycle reactive energy accumulation mode is activated by setting the LVAR bit (Bit 1) in the LCYCMODE register. The total reactive energy accumulated over an integer number of zero crossings is written to the VAR-hr accumulation registers after the LINECYC number of zero crossings is detected. The operation of this mode is similar to watt-hr accumulation (see the Line Cycle Active Energy Accumulation Mode section).

When using the line cycle accumulation mode, the RSTREAD bit (Bit 6) of the LCYCMODE register should be set to Logic 0.

APPARENT POWER CALCULATION

Apparent power is defined as the amplitude of the vector sum of the active and reactive powers. Figure 75 shows what is typically referred to as the power triangle.

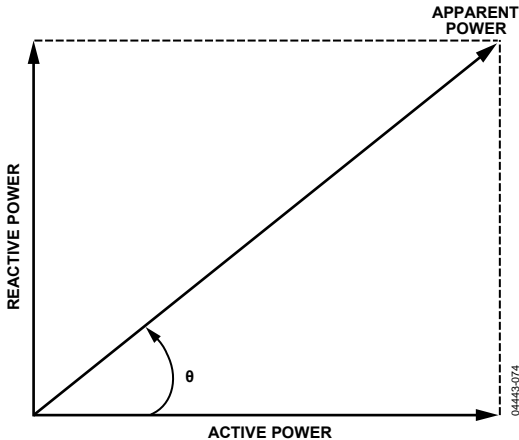


Figure 75. Power Triangle

There are two ways to calculate apparent power: the arithmetical approach or the vectorial method. The arithmetical approach uses the product of the voltage rms value and current rms value to calculate apparent power. Equation 38 describes the arithmetical approach mathematically.

$$S = VRMS \times IRMS \quad (38)$$

where S is the apparent power, and $VRMS$ and $IRMS$ are the rms voltage and current, respectively.

The vectorial method uses the square root of the sum of the active and reactive power, after the two are individually squared. Equation 39 shows the calculation used in the vectorial approach.

$$S = \sqrt{P^2 + Q^2} \quad (39)$$

where:

S is the apparent power.

P is the active power.

Q is the reactive power.

For a pure sinusoidal system, the two approaches should yield the same result. The apparent energy calculation in the ADE7758 uses the arithmetical approach. However, the line cycle energy accumulation mode in the ADE7758 enables energy accumulation between active and reactive energies over a synchronous period, thus the vectorial method can be easily implemented in the external MCU (see the Line Cycle Active Energy Accumulation Mode section).

Note that apparent power is always positive regardless of the direction of the active or reactive energy flows. The rms value of the current and voltage in each phase is multiplied to produce the apparent power of the corresponding phase.

The output from the multiplier is then low-pass filtered to obtain the average apparent power. The frequency response of the LPF in the apparent power signal path is identical to that of the LPF2 used in the average active power calculation (see Figure 66).

Apparent Power Gain Calibration

Note that the average active power result from the LPF output in each phase can be scaled by $\pm 50\%$ by writing to the phase's VAGAIN register (AVAG, BVAG, or CVAG). The VAGAIN registers are two's complement, signed registers and have a resolution of 0.024%/LSB. The function of the VAGAIN registers is expressed mathematically as

$$\text{Average Apparent Power} = \text{LPF2 Output} \times \left(1 + \frac{\text{VAGAIN Register}}{2^{12}} \right) \quad (40)$$

The output is scaled by -50% by writing 0x800 to the VAR gain registers and increased by $+50\%$ by writing 0x7FF to them. These registers can be used to calibrate the apparent power (or energy) calculation in the ADE7758 for each phase.

Apparent Power Offset Calibration

Each rms measurement includes an offset compensation register to calibrate and eliminate the dc component in the rms value (see the Current RMS Calculation section and the Voltage Channel RMS Calculation section). The voltage and current rms values are then multiplied together in the apparent power signal processing. As no additional offsets are created in the multiplication of the rms values, there is no specific offset compensation in the apparent power signal processing. The offset compensation of the apparent power measurement in each phase should be done by calibrating each individual rms measurement (see the Calibration section).

Apparent Energy Calculation

Apparent energy is defined as the integral of apparent power.

$$Apparent\ Energy = \int S(t)dt \tag{41}$$

Similar to active and reactive energy, the ADE7758 achieves the integration of the apparent power signal by continuously accumulating the apparent power signal in the internal 41-bit, unsigned accumulation registers. The VA-hr registers (AVAHR, BVAHR, and CVAHR) represent the upper 16 bits of these internal registers. This discrete time accumulation or summation is equivalent to integration in continuous time. Equation 42 expresses the relationship

$$Apparent\ Energy = \int S(t) dt = \lim_{T \rightarrow 0} \left\{ \sum_{n=0}^{\infty} S(nT) \times T \right\} \tag{42}$$

where:

n is the discrete time sample number.

T is the sample period.

Figure 76 shows the signal path of the apparent energy accumulation. The apparent power signal is continuously added to the internal apparent energy register. The average apparent power is divided by the content of the VA divider register before it is added to the corresponding VA-hr accumulation register. When the value in the VADIV[7:0] register is 0 or 1, apparent power is accumulated without any division. VADIV is an 8-bit unsigned register that is useful to lengthen the time it takes before the VA-hr accumulation registers overflow.

Similar to active or reactive power accumulation, the fastest integration time occurs when the VAGAIN registers are set to maximum full scale, that is, 0x7FF. When overflow occurs, the content of the VA-hr accumulation registers can roll over to 0 and continue increasing in value.

By setting the VAEHF bit (Bit 2) of the mask register, the ADE7758 can be configured to issue an interrupt (IRQ) when the MSB of any one of the three VA-hr accumulation registers has changed, indicating that the accumulation register is half full.

Setting the RSTREAD bit (Bit 6) of the LCYMODE register enables a read-with-reset for the VA-hr accumulation registers; that is, the registers are reset to 0 after a read operation.

Integration Time Under Steady Load

The discrete time sample period (T) for the accumulation register is $0.4 \mu s$ ($4/CLKIN$). With full-scale, 60 Hz sinusoidal signals on the analog inputs and the VAGAIN registers set to 0x000, the average word value from each LPF2 is 0xB9954. The maximum value that can be stored in the apparent energy register before it overflows is $2^{16} - 1$ or 0xFFFF. As the average word value is first added to the internal register, which can store $2^{41} - 1$ or 0x1FF, FFFF, FFFF before it overflows, the integration time under these conditions with VADIV = 0 is calculated as

$$Time = \frac{0x1FF, FFFF, FFFF}{0xB9954} \times 0.4 \mu s = 1.157 \text{ sec} \tag{43}$$

When VADIV is set to a value different from 0, the time before overflow is scaled accordingly, as shown in Equation 44.

$$Time = Time(VADIV = 0) \times VADIV \tag{44}$$

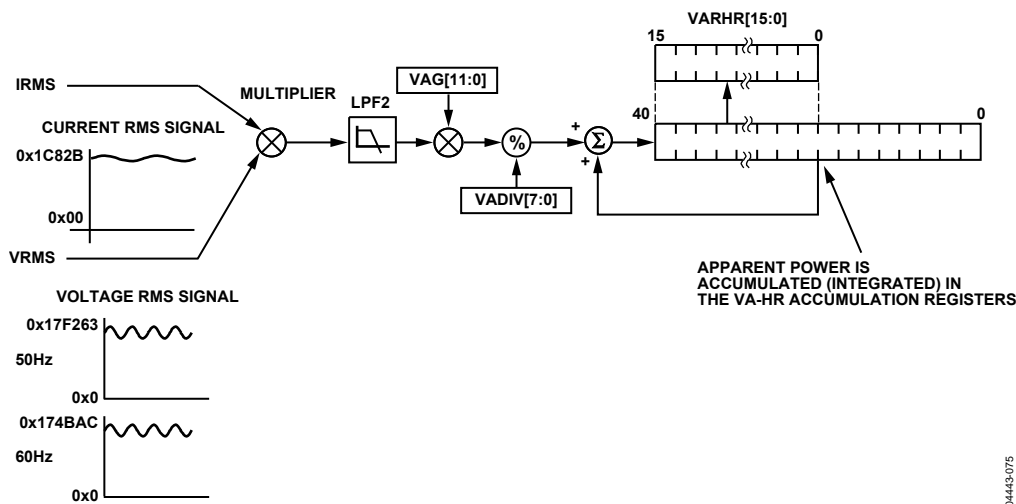


Figure 76. ADE7758 Apparent Energy Accumulation

0443-075

Table 14. Inputs to VA-Hr Accumulation Registers

CONSEL[1, 0]	AVAHR ¹	BVAHR	CVAHR
00	AVRMS × AIRMS	BVRMS × BIRMS	CVRMS × CIRMS
01	AVRMS × AIRMS	AVRMS + CVRMS/2 × BIRMS	CVRMS × CIRMS
10	AVRMS × AIRMS	BVRMS × BIRMS	CVRMS × CIRMS
11	Reserved	Reserved	Reserved

¹ AVRMS/BVRMS/CVRMS are the rms voltage waveform, and AIRMS/BIRMS/CIRMS are the rms values of the current waveform.

Energy Accumulation Mode

The apparent power accumulated in each VA-hr accumulation register (AVAHR, BVAHR, or CVAHR) depends on the configuration of the CONSEL bits in the COMPMODE register (Bit 0 and Bit 1). The different configurations are described in Table 14.

The contents of the VA-hr accumulation registers are affected by both the registers for rms voltage gain (VRMSGAIN), as well as the VAGAIN register of the corresponding phase.

Apparent Power Frequency Output

Pin 17 (VARCF) of the ADE7758 provides frequency output for the total apparent power. By setting the VACF bit (Bit 7) of the WAVMODE register, this pin provides an output frequency that is directly proportional to the total apparent power.

A digital-to-frequency converter (DFC) is used to generate the pulse output from the total apparent power. The TERMSEL bits (Bit 2 to Bit 4) of the COMPMODE register can be used to select which phases to include in the total power calculation. Setting Bit 2, Bit 3, and Bit 4 includes the input to the AVAHR, BVAHR, and CVAHR registers in the total apparent power calculation. A pair of frequency divider registers, namely VARCFDEN and VARCFNUM, can be used to scale the output frequency of this pin. Note that either VAR or apparent power can be selected at one time for this frequency output (see the Reactive Power Frequency Output section).

Line Cycle Apparent Energy Accumulation Mode

The line cycle apparent energy accumulation mode is activated by setting the LVA bit (Bit 2) in the LCYCMODE register. The total apparent energy accumulated over an integer number of zero crossings is written to the VA-hr accumulation registers after the LINECYC number of zero crossings is detected. The operation of this mode is similar to watt-hr accumulation (see the Line Cycle Active Energy Accumulation Mode section). When using the line cycle accumulation mode, the RSTREAD bit (Bit 6) of the LCYCMODE register should be set to Logic 0. Note that this mode is especially useful when the user chooses to perform the apparent energy calculation using the vectorial method.

By setting LWATT and LVAR bits (Bit 0 and Bit 1) of the LCYCMODE register, the active and reactive energies are accumulated over the same period. Therefore, the MCU can perform the squaring of the two terms and then take the square

root of their sum to determine the apparent energy over the same period.

ENERGY REGISTERS SCALING

The ADE7758 provides measurements of active, reactive, and apparent energies that use separate signal paths and filtering for calculation. The differences in the datapaths can result in small differences in LSB weight between the active, reactive, and apparent energy registers. These measurements are internally compensated so that the scaling is nearly one to one. The relationship between the registers is shown in Table 15.

Table 15. Energy Registers Scaling

	Frequency	
	60 Hz	50 Hz
Integrator Off		
VAR	1.004 × WATT	1.0054 × WATT
VA	1.00058 × WATT	1.0085 × WATT
Integrator On		
VAR	1.0059 × WATT	1.0064 × WATT
VA	1.00058 × WATT	1.00845 × WATT

WAVEFORM SAMPLING MODE

The waveform samples of the current and voltage waveform, as well as the active, reactive, and apparent power multiplier outputs, can all be routed to the WAVEFORM register by setting the WAVSEL[2:0] bits (Bit 2 to Bit 4) in the WAVMODE register. The phase in which the samples are routed is set by setting the PHSEL[1:0] bits (Bit 0 and Bit 1) in the WAVMODE register. All energy calculation remains uninterrupted during waveform sampling. Four output sample rates can be chosen by using Bit 5 and Bit 6 of the WAVMODE register (DTRT[1:0]). The output sample rate can be 26.04 kSPS, 13.02 kSPS, 6.51 kSPS, or 3.25 kSPS (see Table 20).

By setting the WFSM bit in the interrupt mask register to Logic 1, the interrupt request output $\overline{\text{IRQ}}$ goes active low when a sample is available. The 24-bit waveform samples are transferred from the ADE7758 one byte (8 bits) at a time, with the most significant byte shifted out first.

The interrupt request output $\overline{\text{IRQ}}$ stays low until the interrupt routine reads the reset status register (see the Interrupts section).

CALIBRATION

A reference meter or an accurate source is required to calibrate the ADE7758 energy meter. When using a reference meter, the ADE7758 calibration output frequencies APCF and VARCF are adjusted to match the frequency output of the reference meter under the same load conditions. Each phase must be calibrated separately in this case. When using an accurate source for calibration, one can take advantage of the line cycle accumulation mode and calibrate the three phases simultaneously.

There are two objectives in calibrating the meter: to establish the correct impulses/kW-hr constant on the pulse output and to obtain a constant that relates the LSBs in the energy and rms registers to Watt/VA/VAR hours, amps, or volts. Additionally, calibration compensates for part-to-part variation in the meter design as well as phase shifts and offsets due to the current sensor and/or input networks.

Calibration Using Pulse Output

The ADE7758 provides a pulsed output proportional to the active power accumulated by all three phases, called APCF. Additionally, the VARCF output is proportional to either the reactive energy or apparent energy accumulated by all three phases. The following section describes how to calibrate the gain, offset, and phase angle using the pulsed output information. The equations are based on the pulse output from the ADE7758 (APCF or VARCF) and the pulse output of the reference meter or CF_{EXPECTED} .

Figure 77 shows a flowchart of how to calibrate the ADE7758 using the pulse output. Because the pulse outputs are proportional to the total energy in all three phases, each phase must be calibrated individually. Writing to the registers is fast to reconfigure the part for calibrating a different phase; therefore, Figure 77 shows a method that calibrates all phases at a given test condition before changing the test condition.

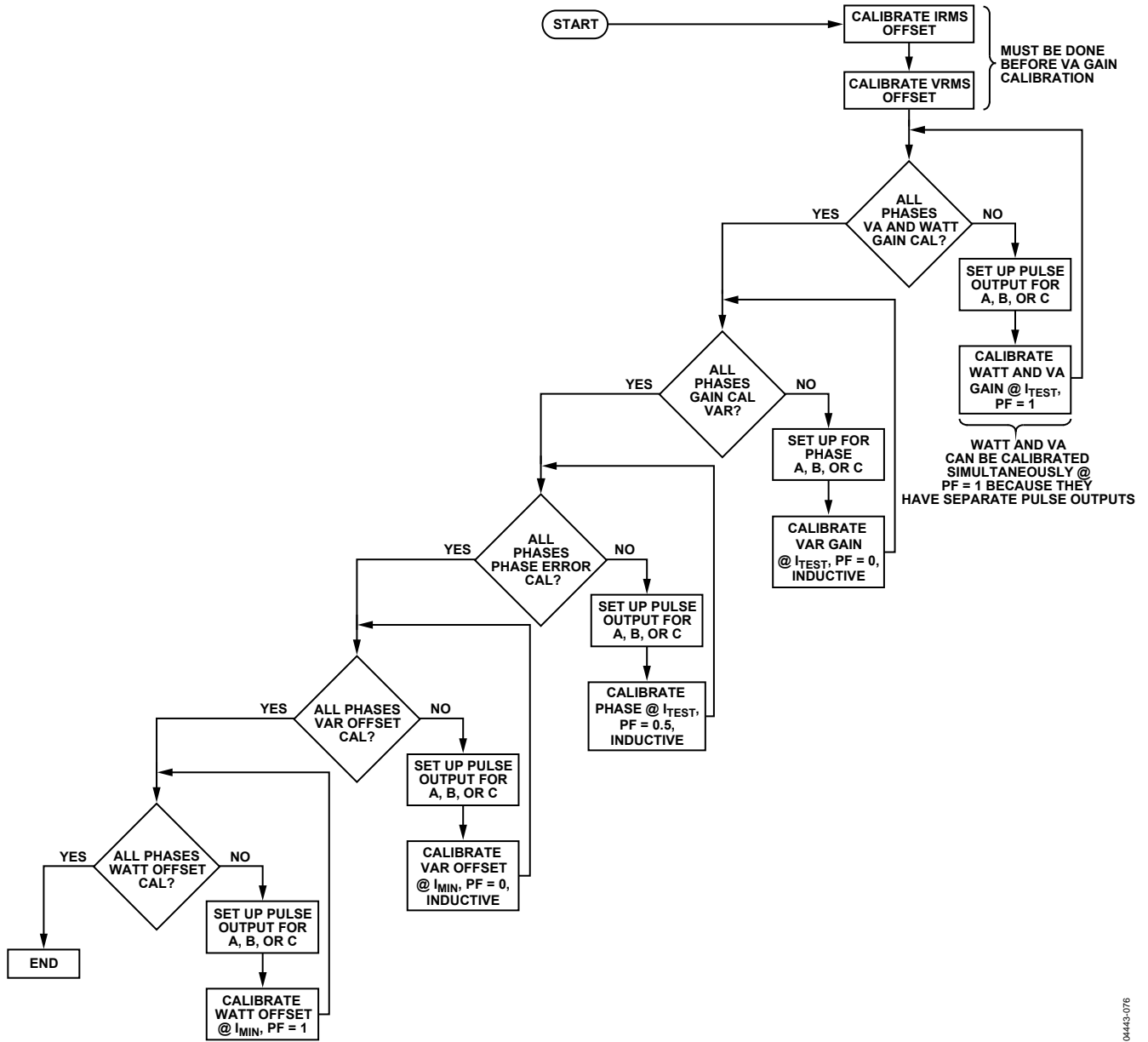


Figure 77. Calibration Using Pulse Output

Gain Calibration Using Pulse Output

Gain calibration is used for meter-to-meter gain adjustment, APCF or VARCF output rate calibration, and determining the Wh/LSB, VARh/LSB, and VAh/LSB constant. The registers used for watt gain calibration are APCFNUM (0x45), APCFDEN (0x46), and xWG (0x2A to 0x2C). Equation 50 through Equation 52 show how these registers affect the Wh/LSB constant and the APCF pulses.

For calibrating VAR gain, the registers in Equation 50 through Equation 52 should be replaced by VARCFNUM (0x47), VARCFDEN (0x48), and xVARG (0x2D to 0x2F). For VAGAIN, they should be replaced by VARCFNUM (0x47), VARCFDEN (0x48), and xVAG (0x30 to 0x32).

Figure 78 shows the steps for gain calibration of watts, VA, or VAR using the pulse outputs.

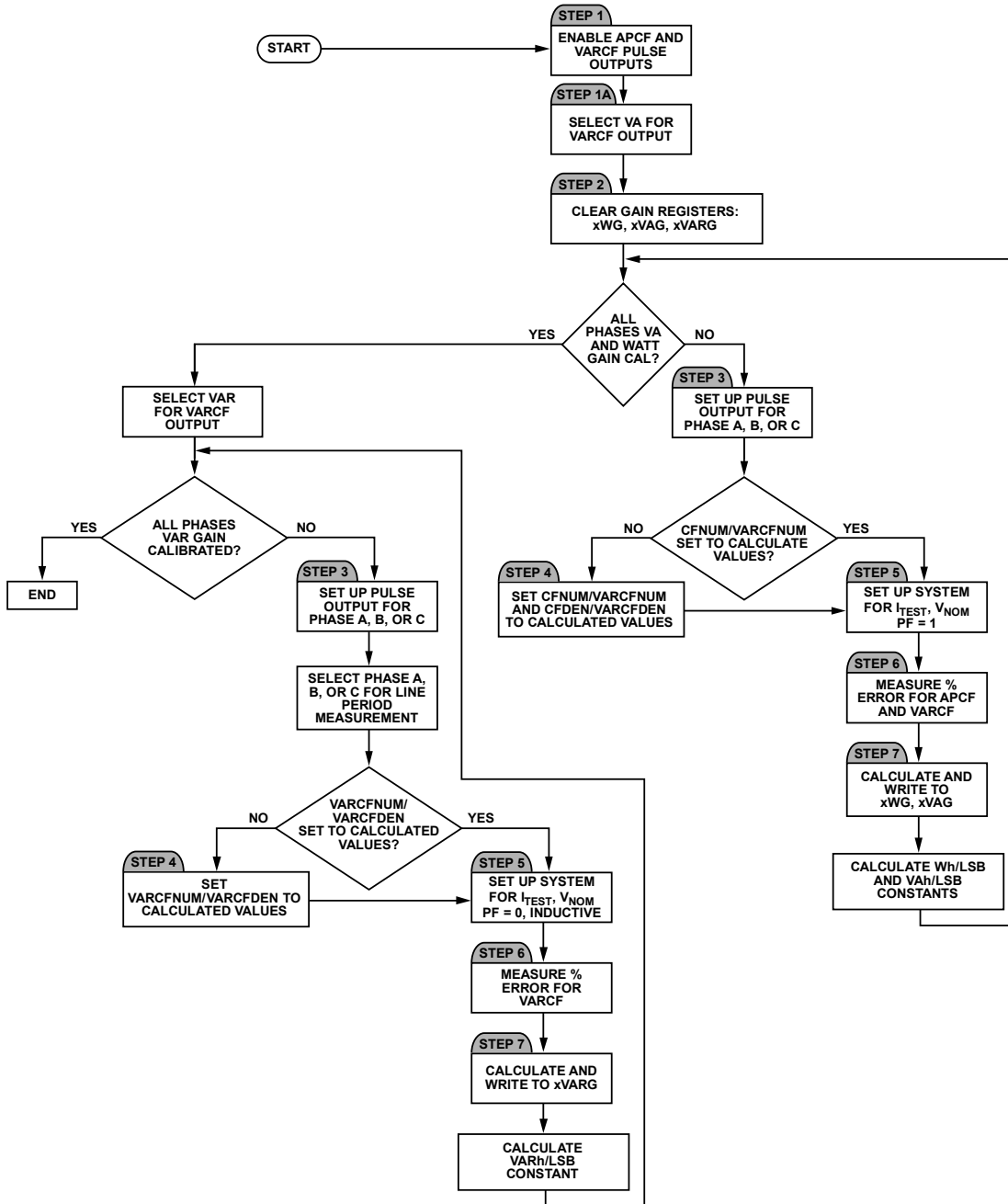


Figure 78. Gain Calibration Using Pulse Output

0443-077

Step 1: Enable the pulse output by setting Bit 2 of the OPCODE register (0x13) to Logic 0. This bit enables both the APCF and VARCF pulses.

Step 1a: VAR and VA share the VARCF pulse output. WAVMODE[7], Address (0x15), should be set to choose between VAR or VA pulses on the output. Setting the bit to Logic 1 selects VA. The default is Logic 0 or VARCF pulse output.

Step 2: Ensure the xWG/xVARG/xVAG are zero.

Step 3: Disable the Phase B and Phase C contribution to the APCF and VARCF pulses. This is done by the TERMSSEL[2:4] bits of

the COMPMODE register (0x16). Setting Bit 2 to Logic 1 and Bit 3 and Bit 4 to Logic 0 allows only Phase A to be included in the pulse outputs. Select Phase A, Phase B, or Phase C for a line period measurement with the FREQSEL[1:0] bits in the MMODE register (0x14). For example, clearing Bit 1 and Bit 0 selects Phase A for line period measurement.

Step 4: Set APCFNUM (0x45) and APCFDEN (0x46) to the calculated value to perform a coarse adjustment on the imp/kWh ratio. For VAR/VA calibration, set VARCFNUM (0x47) and VARCFDEN (0x48) to the calculated value.

The pulse output frequency with one phase at full-scale inputs is approximately 16 kHz. A sample set of meters could be tested to find a more exact value of the pulse output at full scale in the user application.

To calculate the values for APCFNUM/APCFDEN and VARCFNUM/VARCFDEN, use the following formulas:

$$APCF_{NOMINAL} = 16 \text{ kHz} \times \frac{V_{NOM}}{V_{FULLSCALE}} \times \frac{I_{TEST}}{I_{FULLSCALE}} \quad (45)$$

$$APCF_{EXPECTED} = \frac{MC \times I_{TEST} \times V_{NOM}}{1000 \times 3600} \times \cos(\theta) \quad (46)$$

$$APCFDEN = INT\left(\frac{APCF_{NOMINAL}}{APCF_{EXPECTED}}\right) \quad (47)$$

where:

MC is the meter constant.

I_{TEST} is the test current.

V_{NOM} is the nominal voltage at which the meter is tested.

$V_{FULLSCALE}$ and $I_{FULLSCALE}$ are the values of current and voltage, which correspond to the full-scale ADC inputs of the [ADE7758](#).

θ is the angle between the current and the voltage channel.

$APCF_{EXPECTED}$ is equivalent to the reference meter output under the test conditions.

$APCFNUM$ is written to 0 or 1.

The equations for calculating the VARCFNUM and VARCFDEN during VAR calibration are similar:

$$VARCF_{EXPECTED} = \frac{MC \times I_{TEST} \times V_{NOM}}{1000 \times 3600} \times \sin(\theta) \quad (48)$$

Because the APCFDEN and VARCFDEN values can be calculated from the meter design, these values can be written to the part automatically during production calibration.

Step 5: Set the test system for I_{TEST} , V_{NOM} , and the unity power factor. For VAR calibration, the power factor should be set to 0 inductive in this step. For watt and VA, the unity power factor should be used. VAGAIN can be calibrated at the same time as WGAIN because VAGAIN can be calibrated at the unity power factor, and both pulse outputs can be measured simultaneously. However, when calibrating VAGAIN at the same time as WGAIN, the rms offsets should be calibrated first (see the Calibration of IRMS and VRMS Offset section).

Step 6: Measure the percent error in the pulse output, APCF and/or VARCF, from the reference meter:

$$\%Error = \frac{APCF - CF_{REF}}{CF_{REF}} \times 100\% \quad (49)$$

where $CF_{REF} = APCF_{EXPECTED}$ = the pulse output of the reference meter.

Step 7: Calculate xWG adjustment. One LSB change in xWG (12 bits) changes the WATTHR register by 0.0244% and therefore APCF by 0.0244%. The same relationship holds true for VARCF.

$$APCF_{EXPECTED} = APCF_{NOMINAL} \times \frac{APCFNUM[11:0]}{APCFDEN[11:0]} \times \left(1 + \frac{xWG[11:0]}{2^{12}}\right) \quad (50)$$

$$xWG = -\frac{\%Error}{0.0244\%} \quad (51)$$

When APCF is calibrated, the xWATTHR registers have the same Wh/LSB from meter to meter if the meter constant and the APCFNUM/APCFDEN ratio remain the same. The Wh/LSB constant is

$$\frac{Wh}{LSB} = \frac{1}{4 \times \frac{MC}{1000} \times \frac{APCFDEN}{APCFNUM} \times \frac{1}{WDIV}} \quad (52)$$

Return to Step 2 to calibrate Phase B and Phase C gain.

Example: Watt Gain Calibration of Phase A Using Pulse Output

For this example, $I_{TEST} = 10 \text{ A}$, $V_{NOM} = 220 \text{ V}$, $V_{FULLSCALE} = 500 \text{ V}$, $I_{FULLSCALE} = 130 \text{ A}$, $MC = 3200 \text{ impulses/kWh}$, Power Factor = 1, and Frequency = 50 Hz.

Clear APCFNUM (0x45) and write the calculated value to APCFDEN (0x46) to perform a coarse adjustment on the imp/kWh ratio, using Equation 45 through Equation 47.

$$APCF_{NOMINAL} = 16 \text{ kHz} \times \frac{220}{500} \times \frac{10}{130} = 0.542 \text{ kHz}$$

$$APCF_{EXPECTED} = \frac{3200 \times 10 \times 220}{1000 \times 3600} \times \cos(0) = 1.9556 \text{ Hz}$$

$$APCFDEN = INT\left(\frac{542 \text{ Hz}}{1.9556 \text{ Hz}}\right) = 277$$

With Phase A contributing to CF, at I_{TEST} , V_{NOM} , and the unity power factor, the example [ADE7758](#) meter shows 2.058 Hz on the pulse output. This is equivalent to a 5.26% error from the reference meter value using Equation 49.

$$\%Error = \frac{2.058 \text{ Hz} - 1.9556 \text{ Hz}}{1.9556 \text{ Hz}} \times 100\% = 5.26\%$$

The AWG value is calculated to be -216 d using Equation 51, which means the value 0xF28 should be written to AWG.

$$AWG = -\frac{5.26\%}{0.0244\%} = -215.5 = -216 = 0xF28$$

PHASE CALIBRATION USING PULSE OUTPUT

The ADE7758 includes a phase calibration register on each phase to compensate for small phase errors. Large phase errors should be compensated by adjusting the antialiasing filters. The ADE7758 phase calibration is a time delay with different weights in the positive and negative direction (see the Phase Compensation section). Because a current transformer is a source of phase error, a fixed nominal value can be decided on to load into the xPHCAL registers at power-up. During calibration, this value can be adjusted for CT-to-CT error. Figure 79 shows the steps involved in calibrating the phase using the pulse output.

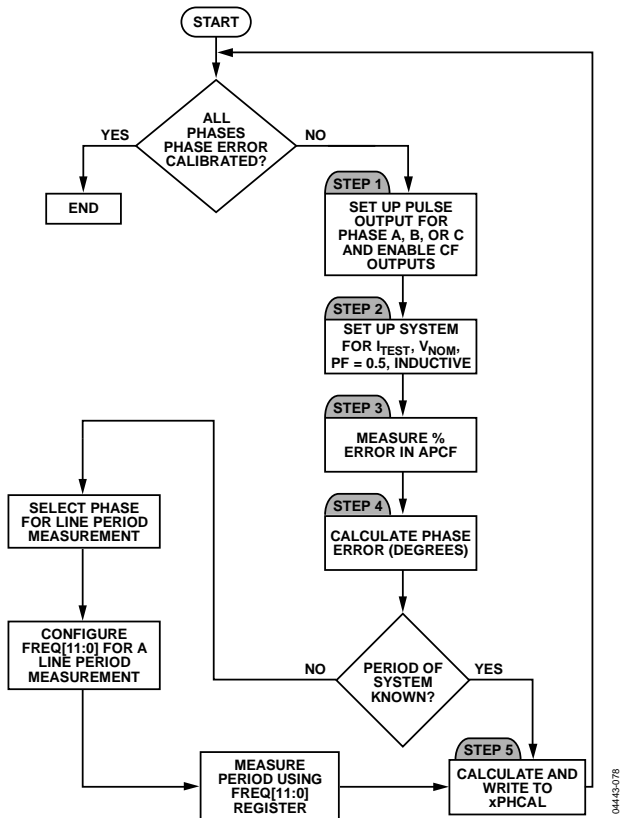


Figure 79. Phase Calibration Using Pulse Output

Step 1: Step 1 and Step 3 from the gain calibration should be repeated to configure the ADE7758 pulse output. Ensure the xPHCAL registers are zero.

Step 2: Set the test system for I_{TEST}, V_{NOM}, and 0.5 power factor inductive.

Step 3: Measure the percent error in the pulse output, APCF, from the reference meter using Equation 49.

Step 4: Calculate the Phase Error in degrees by

$$Phase\ Error(^{\circ}) = -\text{Arcsin}\left(\frac{\%Error}{100\% \times \sqrt{3}}\right) \quad (53)$$

Step 5: Calculate xPHCAL.

$$xPHCAL = Phase\ Error \times \frac{1}{PHCAL_LSB_Weight} \times \frac{1}{Line\ Period(s)} \times \frac{1}{360^{\circ}} \quad (54)$$

where PHCAL_LSB_Weight is 1.2 μs if the %Error is negative or 2.4 μs if the %Error is positive (see the Phase Compensation section).

If it is not known, the line period is available in the ADE7758 frequency register, FREQ (0x10). To configure line period measurement, select the phase for period measurement in the MMODE[1:0] and set LCYCMODE[7]. Equation 55 shows how to determine the value that needs to be written to xPHCAL using the period register measurement.

$$xPHCAL = Phase\ Error \times \frac{9.6\ \mu s}{PHCAL_LSB_Weight} \times \frac{FREQ[11:0]}{360^{\circ}} \quad (55)$$

Example: Phase Calibration of Phase A Using Pulse Output

For this example, I_{TEST} = 10 A, V_{NOM} = 220 V, V_{FULLSCALE} = 500 V, I_{FULLSCALE} = 130 A, MC = 3200 impulses/kWh, power factor = 0.5 inductive, and frequency = 50 Hz.

With Phase A contributing to CF, at I_{TEST}, V_{NOM}, and 0.5 inductive power factor, the example ADE7758 meter shows 0.9668 Hz on the pulse output. This is equivalent to -1.122% error from the reference meter value using Equation 49.

The Phase Error in degrees using Equation 53 is 0.3713°.

$$Phase\ Error(^{\circ}) = -\text{Arcsin}\left(\frac{-1.122\%}{100\% \times \sqrt{3}}\right) = 0.3713^{\circ}$$

If at 50 Hz the FREQ register = 2083d, the value that should be written to APHCAL is 17d, or 0x11 using Equation 55. Note that a PHCAL_LSB_Weight of 1.2 μs is used because the %Error is negative.

$$APHCAL = 0.3713^{\circ} \times \frac{9.6\ \mu s}{1.2\ \mu s} \times \frac{2083}{360^{\circ}} = 17.19 = 17 = 0x11$$

Power Offset Calibration Using Pulse Output

Power offset calibration should be used for outstanding performance over a wide dynamic range (1000:1). Calibration of the power offset is done at or close to the minimum current where the desired accuracy is required.

The ADE7758 has power offset registers for watts and VAR (xWATTOS and xVAROS). Offsets in the VA measurement are compensated by adjusting the rms offset registers (see the Calibration of IRMS and VRMS Offset section). Figure 80 shows the steps to calibrate the power offsets using the pulse outputs.

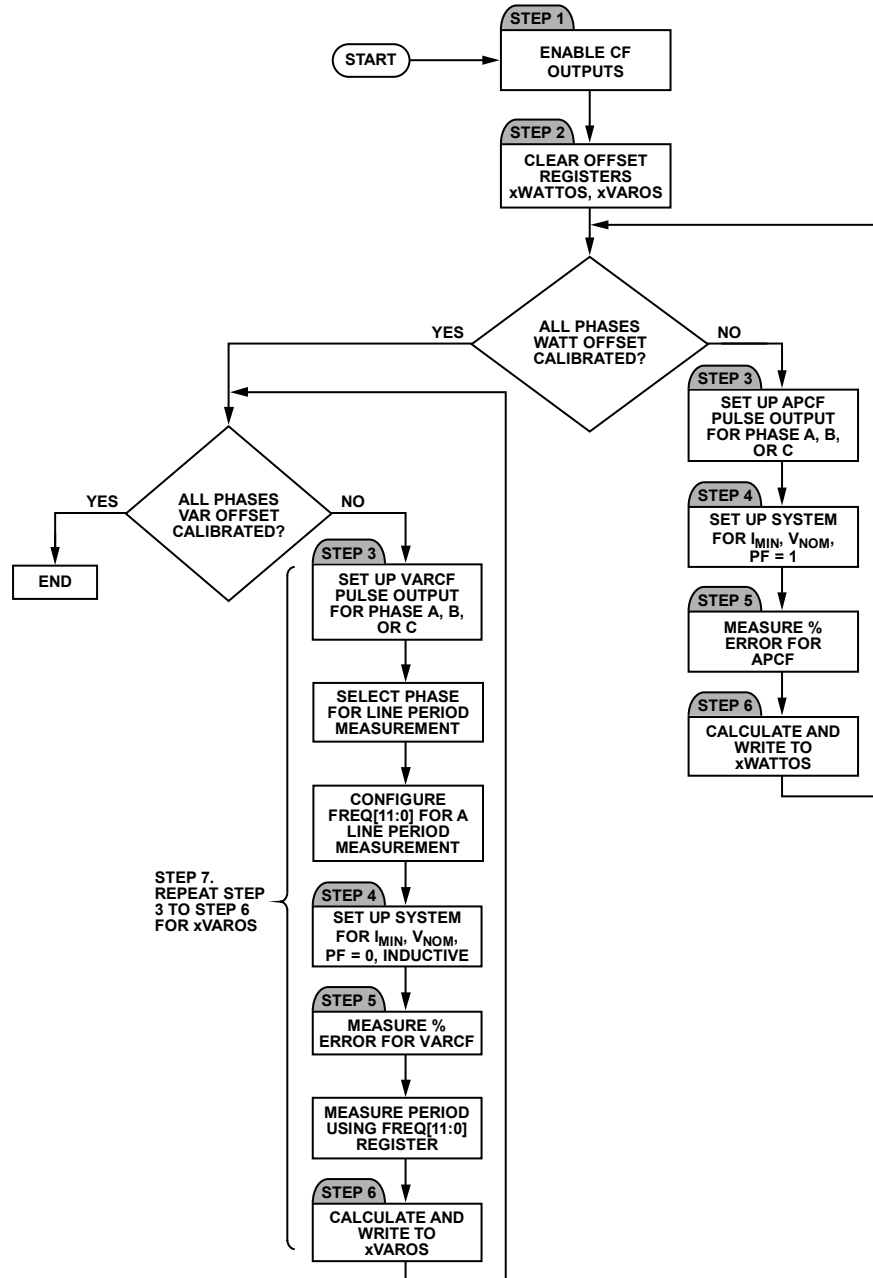


Figure 80. Offset Calibration Using Pulse Output

Step 1: Repeat Step 1 and Step 3 from the gain calibration to configure the ADE7758 pulse output.

Step 2: Clear the xWATTOS and xVAROS registers.

Step 3: Disable the Phase B and Phase C contribution to the APCF and VARCF pulses. This is done by the TERMSSEL[2:4] bits of the COMPMODE register (0x16). Setting Bit 2 to Logic 1 and Bit 3 and Bit 4 to Logic 0 allows only Phase A to be included in the pulse outputs. Select Phase A, Phase B, or Phase C for a line period measurement with the FREQSEL[1:0] bits in the MMODE register (0x14). For example, clearing Bit 1 and Bit 0 selects Phase A for line period measurement.

Step 4: Set the test system for I_{MIN} , V_{NOM} , and unity power factor. For Step 6, set the test system for I_{MIN} , V_{NOM} , and zero-power factor inductive.

Step 5: Measure the percent error in the pulse output, APCF or VARCF, from the reference meter using Equation 49.

Step 6: Calculate xWATTOS using Equation 56 (for xVAROS use Equation 57).

$$xWATTOS = - \left(\frac{\%APCF_{ERROR}}{100\%} \times APCF_{EXPECTED} \right) \times \frac{2^4}{Q} \times \frac{APCFDEN}{APCFNUM} \quad (56)$$

$$xVAROS = -\left(\frac{\%VARCF_{ERROR}}{100\%} \times VARCF_{EXPECTED}\right) \times \frac{2^4}{Q} \times \frac{VARCFDEN}{VARCFNUM} \quad (57)$$

where Q is defined in Equation 58 and Equation 59.

For xWATTOS,

$$Q = \frac{CLKIN}{4} \times \frac{1}{2^{25}} \times \frac{1}{4} \quad (58)$$

For xVAROS,

$$Q = \frac{CLKIN}{4} \times \frac{1}{2^{24}} \times \frac{202}{\left(\frac{FREQ[11:0]}{4}\right)} \times \frac{1}{4} \quad (59)$$

where the FREQ (0x10) register is configured for line period measurements.

Step 7: Repeat Step 3 to Step 6 for xVAROS calibration.

Example: Offset Calibration of Phase A Using Pulse Output

For this example, I_{MIN} = 50 mA, V_{NOM} = 220 V, V_{FULLSCALE} = 500 V, I_{FULLSCALE} = 130 A, MC = 3200 impulses/kWh, Power Factor = 1, Frequency = 50 Hz, and CLKIN = 10 MHz.

With I_{MIN}, V_{NOM}, and unity power factor, the example ADE7758 meter shows 0.009789 Hz on the APCF pulse output. When the power factor is changed to 0.5 inductive, the VARCF output is 0.009769 Hz.

This is equivalent to 0.1198% for the watt measurement and -0.0860% for the VAR measurement. Using Equation 56 through Equation 59, the values 0xFFD and 0x3 should be written to AWATTOS (0x39) and AVAROS (0x3C), respectively.

$$AWATTOS = -\left(\frac{0.1198\%}{100\%} \times 0.009778\right) \times \frac{2^4}{0.01863} \times \frac{277}{1} = -2.8 = -3 = 0xFFD$$

$$AVAROS = -\left(\frac{-0.0860\%}{100\%} \times 0.009778\right) \times \frac{2^4}{0.01444} \times \frac{277}{1} = 2.6 = 3$$

For AWATTOS,

$$Q = \frac{10E6}{4} \times \frac{1}{2^{25}} \times \frac{1}{4} = 0.01863$$

For AVAROS,

$$Q = \frac{10E6}{4} \times \frac{1}{2^{24}} \times \frac{202}{2083} \times \frac{1}{4} = 0.01444$$

Calibration Using Line Accumulation

Line cycle accumulation mode configures the nine energy registers such that the amount of energy accumulated over an integer number of half line cycles appears in the registers after the LENERGY interrupt. The benefit of using this mode is that the sinusoidal component of the active energy is eliminated.

Figure 81 shows a flowchart of how to calibrate the ADE7758 using the line accumulation mode. Calibration of all phases and energies can be done simultaneously using this mode to save time during calibration.

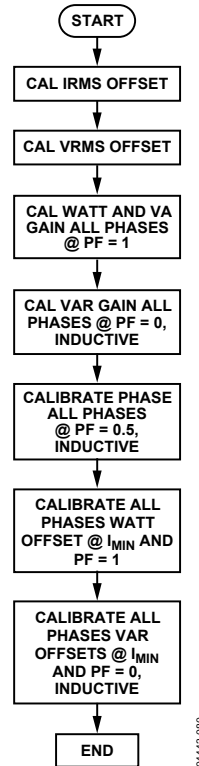


Figure 81. Calibration Using Line Accumulation

Gain Calibration Using Line Accumulation

Gain calibration is used for meter-to-meter gain adjustment, APCF or VARCF output rate calibration, and determining the Wh/LSB, VARh/LSB, and VAh/LSB constant.

Step 0: Before performing the gain calibration, the APCFNUM/APCFDEN (0x45/0x46) and VARCFNUM/VARCFDEN (0x47/0x48) values can be set to achieve the correct impulses/kWh, impulses/kVAh, or impulses/kVARh using the same method outlined in Step 4 in the Gain Calibration Using Pulse Output section. The calibration of xWG/xVARG/xVAG (0x2A through 0x32) is done with the line accumulation mode. Figure 82 shows the steps involved in calibrating the gain registers using the line accumulation mode.

Step 1: Clear xWG, xVARG, and xVAG.

Step 2: Select Phase A, Phase B, or Phase C for a line period measurement with the FREQSEL[1:0] bits in the MMODE register (0x14). For example, clearing Bit 1 and Bit 0 selects Phase A for line period measurement.

Step 3: Set up ADE7758 for line accumulation by writing 0xBF to LCYCMODE. This enables the line accumulation mode on the xWATTHR, xVARHR, and xVAHR (0x01 to 0x09) registers by setting the LWATT, LVAR, and LVA bits, LCYCMODE[0:2] (0x17), to Logic 1. It also sets the ZXSEL bits, LCYCMODE[3:5], to Logic 1 to enable the zero-crossing detection on all phases for line accumulation. Additionally, the FREQSEL bit, LCYCMODE[7], is set so that FREQ (0x10) stores the line period. When using the line accumulation mode, the RSTREAD bit of LCYCMODE should be set to 0 to disable the read with reset mode. Select the phase for line period measurement in MMODE[1:0].

Step 4: Set the number of half-line cycles for line accumulation by writing to LINECYC (0x1C).

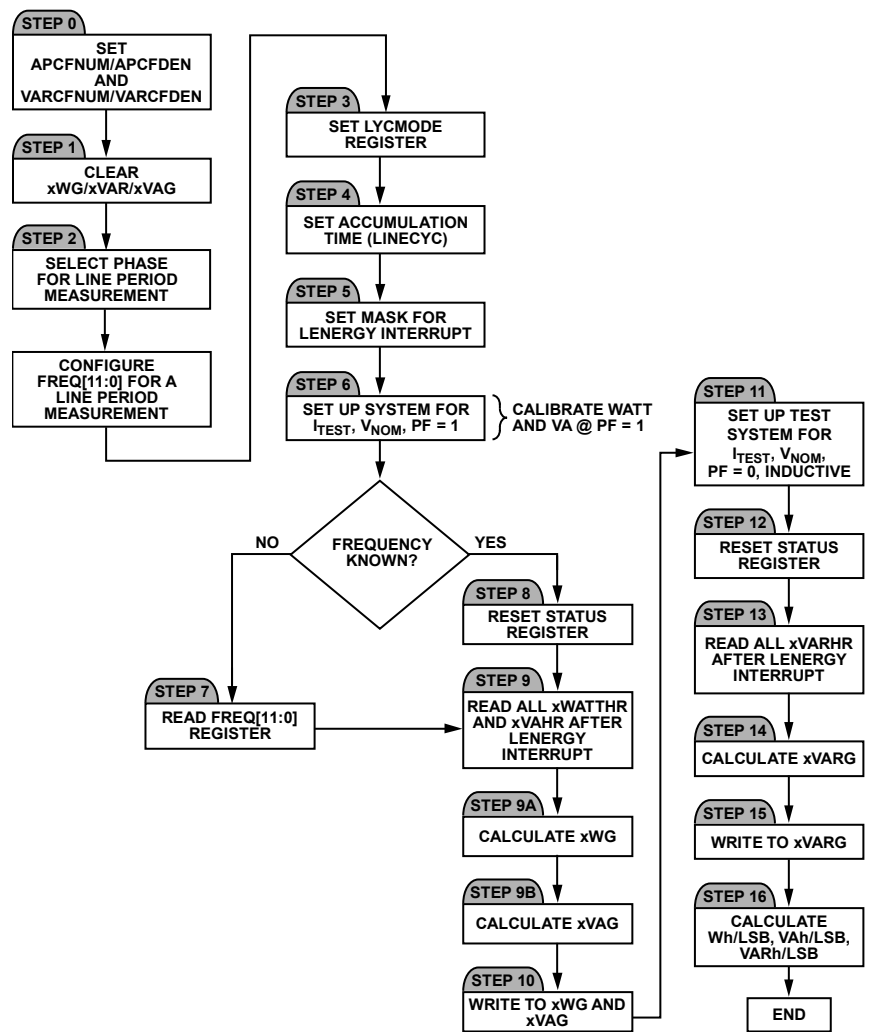


Figure 82. Gain Calibration Using Line Accumulation

04443-081

Step 5: Set the LENERGY bit, MASK[12] (0x18), to Logic 1 to enable the interrupt signaling the end of the line cycle accumulation.

Step 6: Set the test system for I_{TEST} , V_{NOM} , and unity power factor (calibrate watt and VA simultaneously and first).

Step 7: Read the FREQ (0x10) register if the line frequency is unknown.

Step 8: Reset the interrupt status register by reading RSTATUS (0x1A).

Step 9: Read all six xWATTHR (0x01 to 0x03) and xVAHR (0x07 to 0x09) energy registers after the LENERGY interrupt and store the values.

Step 9a: Calculate the values to be written to xWG registers according to the following equations:

$$WATTHR_{EXPECTED} = \frac{4 \times MC \times I_{TEST} \times V_{NOM} \times \cos(\theta) \times AccumTime}{1000 \times 3600} \times \quad (60)$$

$$\frac{APCFDEN}{APCFNUM} \times \frac{1}{WDIV}$$

where *AccumTime* is

$$\frac{LINECYC[15:0]}{2 \times Line\ Frequency \times No.\ of\ Phases\ Selected} \quad (61)$$

where:

MC is the meter constant.

θ is the angle between the current and voltage.

Line Frequency is known or calculated from the FREQ[11:0] register. With the FREQ[11:0] register configured for line period measurements, the line frequency is calculated with Equation 62.

$$Line\ Frequency = \frac{1}{FREQ[11:0] \times 9.6 \times 10^{-6}} \quad (62)$$

No. of Phases Selected is the number of ZXSEL bits set to Logic 1 in LCYCMODE (0x17).

Then, *xWG* is calculated as

$$xWG = \left(\frac{WATTHR_{EXPECTED}}{WATTHR_{MEASURED}} - 1 \right) \times 2^{12} \quad (63)$$

Step 9b: Calculate the values to be written to the xVAG registers according to the following equation:

$$VAHR_{EXPECTED} = \frac{4 \times MC \times I_{TEST} \times V_{NOM} \times AccumTime}{1000 \times 3600} \times \frac{VARCFDEN}{VARCFNUM} \times \frac{1}{VADIV} \quad (64)$$

$$xVAG = \left(\frac{VAHR_{EXPECTED}}{VAHR_{MEASURED}} - 1 \right) \times 2^{12}$$

Step 10: Write to xWG and xVAG.

Step 11: Set the test system for I_{TEST} , V_{NOM} , and zero power factor inductive to calibrate VAR gain.

Step 12: Repeat Step 7.

Step 13: Read the xVARHR (0x04 to 0x06) after the LENERGY interrupt and store the values.

Step 14: Calculate the values to be written to the xVARG registers (to adjust VARCF to the expected value).

$$VARHR_{EXPECTED} = \frac{4 \times MC \times I_{TEST} \times V_{NOM} \times \sin(\theta) \times AccumTime}{1000 \times 3600} \times \quad (65)$$

$$\frac{VARCFDEN}{VARCFNUM} \times \frac{1}{VARDIV}$$

$$xVARG = \left(\frac{VARHR_{EXPECTED}}{VARHR_{MEASURED}} - 1 \right) \times 2^{12}$$

Step 15: Write to xVARG.

Step 16: Calculate the Wh/LSB, VARh/LSB, and VAh/LSB constants.

$$\frac{Wh}{LSB} = \frac{I_{TEST} \times V_{NOM} \times \cos(\theta) \times AccumTime}{3600 \times xWATTHR} \quad (66)$$

$$\frac{VAh}{LSB} = \frac{I_{TEST} \times V_{NOM} \times AccumTime}{3600 \times xVAHR} \quad (67)$$

$$\frac{VARh}{LSB} = \frac{I_{TEST} \times V_{NOM} \times \sin(\theta) \times AccumTime}{3600 \times xVARHR} \quad (68)$$

Example: Watt Gain Calibration Using Line Accumulation

This example shows only Phase A watt calibration. The steps outlined in the Gain Calibration Using Line Accumulation section show how to calibrate watt, VA, and VAR. All three phases can be calibrated simultaneously because there are nine energy registers.

For this example, $I_{TEST} = 10$ A, $V_{NOM} = 220$ V, Power Factor = 1, Frequency = 50 Hz, LINECYC (0x1C) is set to 0x800, and MC = 3200 imp/kWhr.

To set APCFNUM (0x45) and APCFDEN (0x46) to the calculated value to perform a coarse adjustment on the imp/kW-hr ratio, use Equation 45 to Equation 47.

$$APCF_{NOMINAL} = 16 \text{ kHz} \times \frac{220}{500} \times \frac{10}{130} = 0.5415 \text{ kHz}$$

$$APCF_{EXPECTED} = \frac{3200 \times 10 \times 220}{1000 \times 3600} \times \cos(\theta) = 1.956 \text{ Hz}$$

$$APCFDEN = \text{INT}\left(\frac{541.5 \text{ Hz}}{1.956 \text{ Hz}}\right) = 277$$

Under the test conditions above, the AWATTHR register value is 15559d after the LENERGY interrupt. Using Equation 60 and Equation 61, the value to be written to AWG is -199d, 0xF39.

$$AccumTime = \frac{LINECYC[15:0]}{2 \times \frac{1}{FREQ[11:0] \times 9.6 \times 10^{-6}} \times \text{No. of Phases Selected}}$$

$$AccumTime = \frac{0x800}{2 \times \frac{1}{2085 \times 9.6 \times 10^{-6}} \times 3} = 6.832128s$$

$$WATTHR_{EXPECTED} = \frac{4 \times 3200 \times 10 \times 220 \times 1 \times 6.832}{1000 \times 3600} \times \frac{277}{1} \times 1 = 14804$$

$$xWG = \left(\frac{14804}{15559} - 1\right) \times 2^{12} = -198.87640 = -199 = 0xF39$$

Using Equation 66, the Wh/LSB constant is

$$\frac{Wh}{LSB} = \frac{10 \times 220 \times 6.832}{3600 \times 14804} = 0.0002820$$

Phase Calibration Using Line Accumulation

The ADE7758 includes a phase calibration register on each phase to compensate for small phase errors. Large phase errors should be compensated by adjusting the antialiasing filters. The ADE7758 phase calibration is a time delay with different weights in the positive and negative direction (see the Phase Compensation section). Because a current transformer is a source of phase error, a fixed nominal value can be decided on to load into the xPHCAL (0x3F to 0x41) registers at power-up. During calibration, this value can be adjusted for CT-to-CT error. Figure 83 shows the steps involved in calibrating the phase using the line accumulation mode.

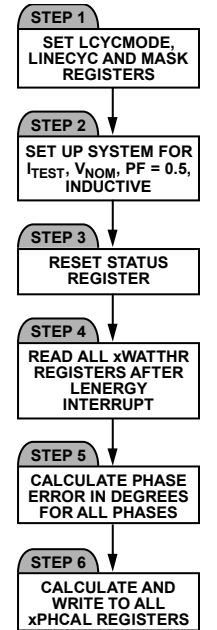


Figure 83. Phase Calibration Using Line Accumulation

Step 1: If the values were changed after gain calibration, Step 1, Step 3, and Step 4 from the gain calibration should be repeated to configure the LCYCMODE and LINECYC registers.

Step 2: Set the test system for ITEST, VNOM, and 0.5 power factor inductive.

Step 3: Reset the interrupt status register by reading RSTATUS (0x1A).

Step 4: The xWATTHR registers should be read after the LENERGY interrupt. Measure the percent error in the energy register readings (AWATTHR, BWATTHR, and CWATTHR) compared to the energy register readings at unity power factor (after gain calibration) using Equation 69. The readings at unity power factor should have been repeated after the gain calibration and stored for use in the phase calibration routine.

$$Error = \frac{xWATTHR_{PF=5} - \frac{xWATTHR_{PF=1}}{2}}{\frac{xWATTHR_{PF=1}}{2}} \quad (69)$$

Step 5: Calculate the Phase Error in degrees using the equation

$$Phase\ Error(^{\circ}) = -\text{Arcsin}\left(\frac{Error}{\sqrt{3}}\right) \quad (70)$$

Step 6: Calculate xPHCAL and write to the xPHCAL registers (0x3F to 0x41).

$$xPHCAL = Phase\ Error \times \frac{1}{PHCAL_LSB_Weight} \times \frac{1}{Line\ Period(s)} \times \frac{1}{360^{\circ}} \quad (71)$$

where PHCAL_LSB_Weight is 1.2 μs if the %Error is negative or 2.4 μs if the %Error is positive (see the Phase Compensation section).

If it is not known, the line period is available in the [ADE7758](#) frequency register, `FREQ` (0x10). To configure line period measurement, select the phase for period measurement in the `MMODE`[1:0] and set `LCYCMODE`[7]. Equation 72 shows how to determine the value that needs to be written to `xPHCAL` using the period register measurement.

$$xPHCAL = \text{Phase Error} \times \frac{9.6 \mu\text{s}}{PHCAL_LSB_Weight} \times \frac{FREQ[11:0]}{360^\circ} \quad (72)$$

Example: Phase Calibration Using Line Accumulation

This example shows only Phase A phase calibration. All three `PHCAL` registers can be calibrated simultaneously using the same method.

For this example, $I_{TEST} = 10 \text{ A}$, $V_{NOM} = 220 \text{ V}$, power factor = 0.5 inductive, and frequency = 50 Hz. Also, `LINECYC` = 0x800.

With I_{TEST} , V_{NOM} , and 0.5 inductive power factor, the example [ADE7758](#) meter shows 7318d in the `AWATTHR` (0x01) register. For unity power factor (after gain calibration), the meter shows

14804d in the `AWATTHR` register. This is equivalent to -1.132% error.

$$\text{Error} = \frac{7318 - \frac{14804}{2}}{\frac{14804}{2}} = -0.01132 = -1.132\%$$

The *Phase Error* in degrees using Equation 66 is 0.374°.

$$\text{Phase Error}(\text{°}) = -\text{Arcsin}\left(\frac{-0.01132}{\sqrt{3}}\right) = 0.374^\circ$$

Using Equation 72, the value written to `APHCAL` (0x3F), if at 50 Hz, the `FREQ` (0x10) register = 2085d, is 17d. Note that a `PHCAL_LSB_Weight` of 1.2 μs is used because the %Error is negative.

$$APHCAL = 0.374^\circ \times \frac{9.6}{1.2} \times \frac{2085}{360} = 17 = 0x11$$

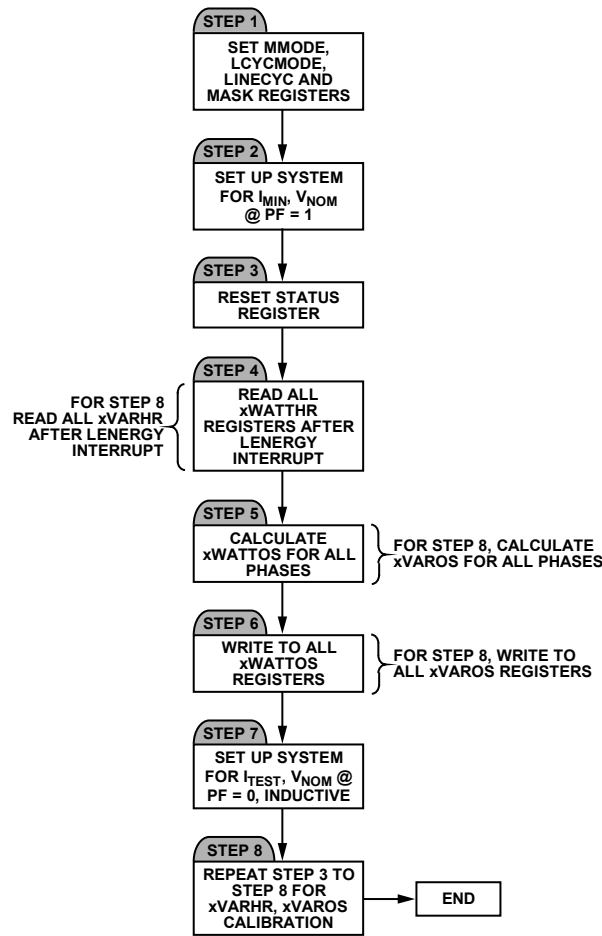


Figure 84. Power Offset Calibration Using Line Accumulation

04463-083

Power Offset Calibration Using Line Accumulation

Power offset calibration should be used for outstanding performance over a wide dynamic range (1000:1). Calibration of the power offset is done at or close to the minimum current. The ADE7758 has power offset registers for watts and VAR, xWATTOS (0x39 to 0x3B) and xVAROS (0x3C to 0x3E). Offsets in the VA measurement are compensated by adjusting the rms offset registers (see the Calibration of IRMS and VRMS Offset section).

More line cycles could be required at the minimum current to minimize the effect of quantization error on the offset calibration. For example, if a current of 40 mA results in an active energy accumulation of 113 after 2000 half line cycles, one LSB variation in this reading represents an 0.8% error. This measurement does not provide enough resolution to calibrate out a <1% offset error. However, if the active energy is accumulated over 37,500 half line cycles, one LSB variation results in 0.05% error, reducing the quantization error.

Figure 84 shows the steps to calibrate the power offsets using the line accumulation mode.

Step 1: If the values change after gain calibration, Step 1, Step 3, and Step 4 from the gain calibration should be repeated to configure the LCYCMODE, LINECYC, and MASK registers. Select Phase A, Phase B, or Phase C for a line period measurement with the FREQSEL[1:0] bits in the MMODE register (0x14). For example, clearing Bit 1 and Bit 0 selects Phase A for line period measurement.

Step 2: Set the test system for I_{MIN} , V_{NOM} , and unity power factor.

Step 3: Reset the interrupt status register by reading RSTATUS (0x1A).

Step 4: Read all xWATTHR energy registers (0x01 to 0x03) after the LENERGY interrupt and store the values.

Step 4a: If it is not known, the line period is available in the ADE7758 frequency register, FREQ (0x10). To configure line period measurement, select the phase for period measurement in the MMODE[1:0] and set LCYCMODE[7].

Step 5: Calculate the value to be written to the xWATTOS registers according to the following equations:

Offset =

$$\frac{xWATTHR_{I_{MIN}} \times I_{TEST} - \left(xWATTHR_{I_{TEST}} \times \frac{LINECYC_{I_{MIN}}}{LINECYC_{I_{TEST}}} \right) \times I_{MIN}}{I_{MIN} - I_{TEST}} \quad (73)$$

$$xWATTOS[11:0] = \frac{Offset \times 4}{AccumTime \times CLKIN} \times 2^{29} \quad (74)$$

where:

AccumTime is defined in Equation 61.

$xWATTHR_{I_{TEST}}$ is the value in the energy register at I_{TEST} .

$xWATTHR_{I_{MIN}}$ is the value in the energy register at I_{MIN} .

$LINECYC_{I_{MIN}}$ is the number of line cycles accumulated at I_{MIN} .

$LINECYC_{I_{MAX}}$ is the number of line cycles accumulated at I_{MAX} .

Step 6: Write to all xWATTOS registers (0x39 to 0x3B).

Step 7: Set the test system for I_{MIN} , V_{NOM} , and zero power factor inductive to calibrate VAR gain.

Step 8: Repeat Steps 3, 4, and 5.

Step 9: Calculate the value written to the xVAROS registers according to the following equations:

Offset =

$$\frac{xVARHR_{I_{MIN}} \times I_{TEST} - \left(xVARHR_{I_{TEST}} \times \frac{LINECYC_{I_{MIN}}}{LINECYC_{I_{TEST}}} \right) \times I_{MIN}}{I_{MIN} - I_{TEST}} \quad (75)$$

$$xVAROS[11:0] = \frac{Offset \times 4}{AccumTime \times CLKIN} \times \frac{FREQ[11:0]}{202} \times 2^{26} \quad (76)$$

where the FREQ[11:0] register is configured for line period readings.

Example: Power Offset Calibration Using Line Accumulation

This example only shows Phase A of the phase active power offset calibration. Both active and reactive power offset for all phases can be calibrated simultaneously using the method explained in the Power Offset Calibration Using Line Accumulation section.

For this example, $I_{MIN} = 50$ mA, $I_{TEST} = 10$ A, $V_{NOM} = 220$ V, $V_{FULLSCALE} = 500$ V, $I_{FULLSCALE} = 130$ A, $MC = 3200$ impulses/kWh, Power Factor = 1, Frequency = 50 Hz, and $CLKIN = 10$ MHz. Also, $LINECYC_{I_{TEST}} = 0x800$ and $LINECYC_{I_{MIN}} = 0x4000$.

After accumulating over 0x800 line cycles for gain calibration at I_{TEST} , the example ADE7758 meter shows 14804d in the AWATTHR (0x01) register. At I_{MIN} , the meter shows 592d in the AWATTHR register. By using Equation 73, this is equivalent to 0.161 LSBs of offset; therefore, using Equation 61 and Equation 74, the value written to AWATTOS is 0d.

Offset =

$$\frac{592 \times 10 - \left(14804 \times \frac{0x4000}{0x800} \right) \times 0.05}{0.05 - 10} = 0.16$$

$$AccumTime = \frac{0 \times 4000}{2 \times \frac{1}{2085 \times 9.6 \times 10^{-6}} \times 3} = 54.64s$$

$$AWATTOS = \frac{0.161 \times 4}{54.64 \times 10 \text{ MHz}} \times 2^{29} = -0.088 = 0$$

Calibration of IRMS and VRMS Offset

IRMSOS and VRMSOS are used to cancel noise and offset contributions from the inputs. The calibration method is the same whether calibrating using the pulse outputs or line accumulation. Reading the registers is required for this calibration because there is no rms pulse output. The rms offset calibration should be performed before VAGAIN calibration. The rms offset calibration also removes offset from the VA calculation. For this reason, no VA offset register exists in the ADE7758.

The low-pass filter used to obtain the rms measurements is not ideal; therefore, it is recommended to synchronize the readings with the zero crossings of the voltage waveform and to average a few measurements when reading the rms registers.

The ADE7758 IRMS measurement is linear over a 500:1 range, and the VRMS measurement is linear over a 20:1 range. To measure the voltage VRMS offset (xVRMSOS), measure rms values at two different nonzero current levels, for example, V_{NOM} and $V_{FULLSCALE}/20$.

To measure the current rms offset (IRMSOS), measure rms values at two different nonzero current levels, for example, I_{TEST} and $I_{FULLSCALE}/500$. This translates to two test conditions: I_{TEST} and V_{NOM} , and $I_{FULLSCALE}/500$ and $V_{FULLSCALE}/20$. Figure 85 shows a flowchart for calibrating the rms measurements.

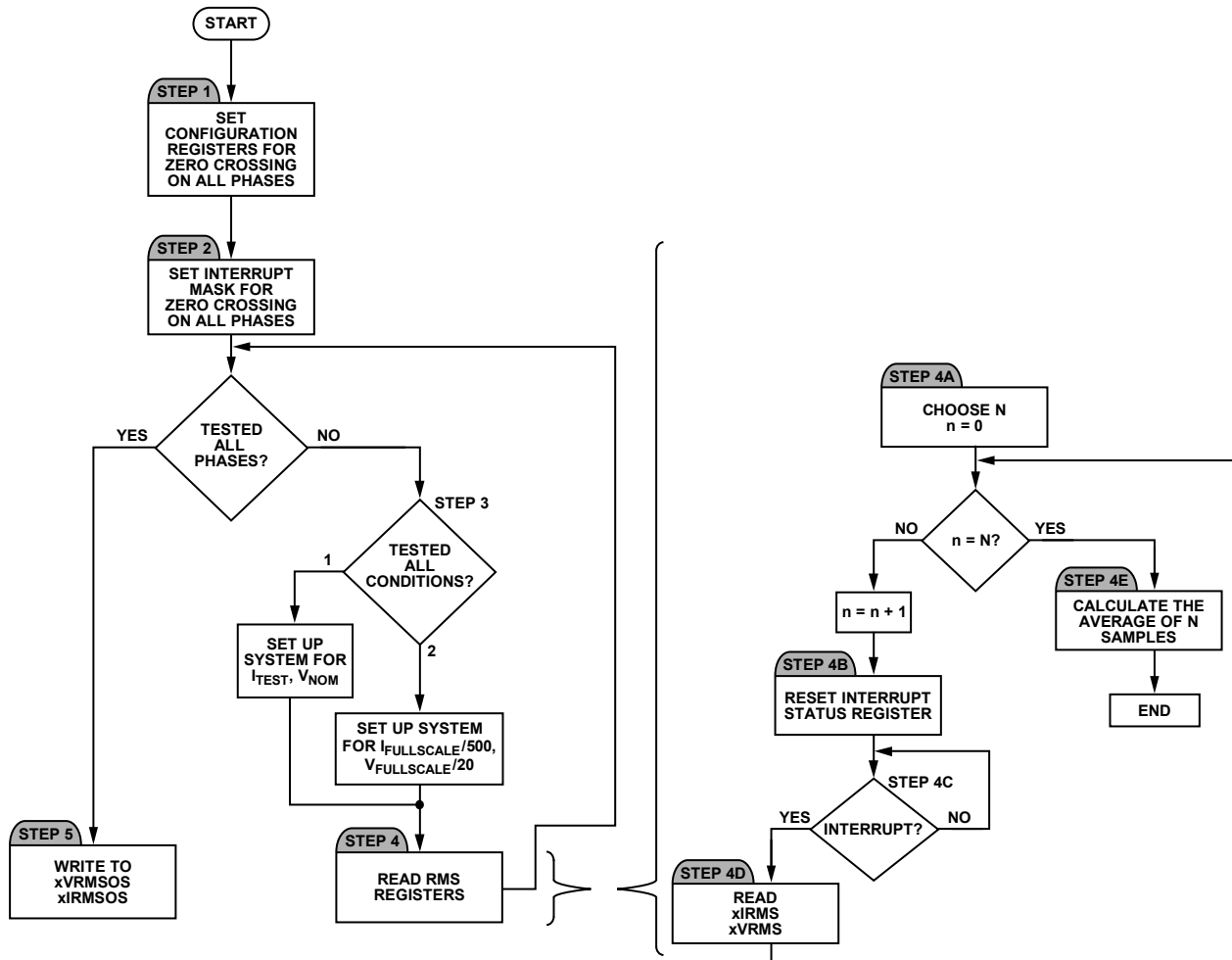


Figure 85. RMS Calibration Routine

Step 1: Set configuration registers for zero crossings on all phases by writing the value 0x38 to the LCYCMODE register (0x17). This sets all of the ZXSEL bits to Logic 1.

Step 2: Set the interrupt mask register for zero-crossing detection on all phases by writing 0xE00 to the MASK[0:24] register (0x18). This sets all of the ZX bits to Logic 1.

Step 3: Set up the calibration system for one of the two test conditions: I_{TEST} and V_{NOM} , and $I_{FULLSCALE}/500$ and $V_{FULLSCALE}/20$.

Step 4: Read the rms registers after the zero-crossing interrupt and take an average of N samples. This is recommended to get the most stable rms readings. This procedure is detailed in Figure 85: Steps 4a through 4e.

Step 4a. Choose the number of samples, N, to be averaged.

Step 4b. Reset the interrupt status register by reading RSTATUS (0x1A).

Step 4c. Wait for the zero-crossing interrupt. When the zero-crossing interrupt occurs, move to Step 4d.

Step 4d. Read the xIRMS and xVRMS registers. These values will be averaged in Step 4e.

Step 4e: Average the N samples of xIRMS and xVRMS. The averaged values will be used in Step 5.

Step 5: Write to the xVRMSOS (0x33 to 0x35) and xIRMSOS (0x36 to 0x38) registers according to the following equations:

$$xIRMSOS = \frac{1}{16384} \times \frac{(I_{TEST}^2 \times IRMS_{IMIN}^2) - (I_{MIN}^2 \times IRMS_{ITEST}^2)}{I_{MIN}^2 - I_{TEST}^2} \quad (77)$$

where:

I_{MIN} is the full scale current/500.

I_{TEST} is the test current.

$IRMS_{IMIN}$ and $IRMS_{ITEST}$ are the current rms register values without offset correction for the inputs I_{MIN} and I_{TEST} , respectively.

$$xVRMSOS = \frac{1}{64} \times \frac{V_{NOM} \times VRMS_{VMIN} - V_{MIN} \times VRMS_{VNOM}}{V_{MIN} - V_{NOM}} \quad (78)$$

where:

V_{MIN} is the full scale voltage/20

V_{NOM} is the nominal line voltage.

$VRMS_{VMIN}$ and $VRMS_{VNOM}$ are the voltage rms register values without offset correction for the input V_{MIN} and V_{NOM} , respectively.

Example: Calibration of RMS Offsets

For this example, $I_{TEST} = 10$ A, $I_{MAX} = 100$ A, $V_{NOM} = 220$ V, $V_{FULLSCALE} = 500$ V, Power Factor = 1, and Frequency = 50 Hz.

Twenty readings are taken synchronous to the zero crossings of all three phases at each current and voltage to determine the average xIRMS and xVRMS readings. At I_{TEST} and V_{NOM} , the example ADE7758 meter gets an average AIRMS (0x0A) reading of 148242.2 and 744570.8 in the AVRMS (0x0D) register. Then the current is set to $I_{MIN} = I_{FULLSCALE}/500$ or 260 mA. At I_{MIN} , the average AIRMS reading is 3885.68. At $V_{MIN} = V_{FULLSCALE}/20$ or 25 V, the example meter gets an average AVRMS of 86362.36. Using this data, -15d is written to AIRMSOS (0x36) and -31d is written to AVRMSOS (0x33) registers according to the Equation 77 and Equation 78.

$$AIRMSOS = \frac{1}{16384} \times \frac{(10^2 \times 3885.68^2) - (0.260^2 \times 148242.2^2)}{(0.260 - 10^2)} = -14.8 = -15 = 0xFF2$$

$$AVRMSOS = \frac{1}{64} \times \frac{(220 \times 86362.36) - (25 \times 744570.8)}{(25 - 220)} = -30.9 = -31 = 0xFE1$$

This example shows the calculations and measurements for Phase A only. However, all three xIRMS and xVRMS registers can be read simultaneously to compute the values for each xIRMSOS and xVRMSOS register.

CHECKSUM REGISTER

The ADE7758 has a checksum register CHKSUM[7:0] (0x7E) to ensure the data bits received in the last serial read operation are not corrupted. The 8-bit checksum register is reset before the first bit (MSB of the register to be read) is put on the DOUT pin. During a serial read operation, when each data bit becomes available on the rising edge of SCLK, the bit is added to the checksum register. In the end of the serial read operation, the contents of the checksum register are equal to the sum of all the 1s in the register previously read. Using the checksum register, the user can determine if an error has occurred during the last read operation. Note that a read to the checksum register also generates a checksum of the checksum register itself.

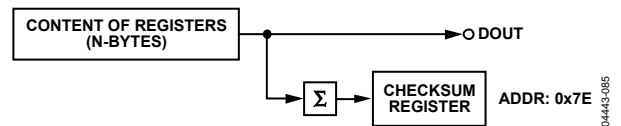


Figure 86. Checksum Register for Serial Interface Read

INTERRUPTS

The ADE7758 interrupts are managed through the interrupt status register (STATUS[23:0], Address 0x19) and the interrupt mask register (MASK[23:0], Address 0x18). When an interrupt event occurs in the ADE7758, the corresponding flag in the interrupt status register is set to a Logic 1 (see Table 24). If the mask bit for this interrupt in the interrupt mask register is Logic 1, then the \overline{IRQ} logic output goes active low. The flag bits

in the interrupt status register are set irrespective of the state of the mask bits. To determine the source of the interrupt, the MCU should perform a read from the reset interrupt status register with reset. This is achieved by carrying out a read from RSTATUS, Address 0x1A. The $\overline{\text{IRQ}}$ output goes logic high on completion of the interrupt status register read command (see the Interrupt Timing section). When carrying out a read with reset, the ADE7758 is designed to ensure that no interrupt events are missed. If an interrupt event occurs just as the interrupt status register is being read, the event is not lost, and the $\overline{\text{IRQ}}$ logic output is guaranteed to go logic high for the duration of the interrupt status register data transfer before going logic low again to indicate the pending interrupt. Note that the reset interrupt bit in the status register is high for only one clock cycle, and it then goes back to 0.

USING THE INTERRUPTS WITH AN MCU

Figure 87 shows a timing diagram that illustrates a suggested implementation of ADE7758 interrupt management using an MCU. At time t_1 , the $\overline{\text{IRQ}}$ line goes active low indicating that one or more interrupt events have occurred in the ADE7758. The $\overline{\text{IRQ}}$ logic output should be tied to a negative-edge-triggered external interrupt on the MCU. On detection of the negative edge, the MCU should be configured to start executing its interrupt service routine (ISR). On entering the ISR, all interrupts should be disabled using the global interrupt mask bit. At this point, the MCU external interrupt flag can be cleared to capture interrupt events that occur during the current ISR. When the MCU interrupt flag is cleared, a read from the reset interrupt status register with reset is carried out. (This causes the $\overline{\text{IRQ}}$ line to be reset logic high (t_2); see the Interrupt Timing section.) The reset interrupt status register contents are used to determine the source of the interrupt(s) and hence the appropriate action to be taken. If a subsequent interrupt event occurs during the ISR (t_3) that event is recorded by the MCU external interrupt flag being set again.

On returning from the ISR, the global interrupt mask bit is cleared (same instruction cycle) and the external interrupt flag uses the MCU to jump to its ISR once again. This ensures that the MCU does not miss any external interrupts. The reset bit in the status register is an exception to this and is only high for one clock cycle after a reset event.

INTERRUPT TIMING

The Serial Interface section should be reviewed before reviewing this section. As previously described, when the $\overline{\text{IRQ}}$ output goes low, the MCU ISR must read the interrupt status

register to determine the source of the interrupt. When reading the interrupt status register contents, the $\overline{\text{IRQ}}$ output is set high on the last falling edge of SCLK of the first byte transfer (read interrupt status register command). The $\overline{\text{IRQ}}$ output is held high until the last bit of the next 8-bit transfer is shifted out (interrupt status register contents), as shown in Figure 88. If an interrupt is pending at this time, the $\overline{\text{IRQ}}$ output goes low again. If no interrupt is pending, the $\overline{\text{IRQ}}$ output remains high.

SERIAL INTERFACE

The ADE7758 has a built-in SPI interface. The serial interface of the ADE7758 is made of four signals: SCLK, DIN, DOUT, and $\overline{\text{CS}}$. The serial clock for a data transfer is applied at the SCLK logic input. This logic input has a Schmitt trigger input structure that allows slow rising (and falling) clock edges to be used. All data transfer operations are synchronized to the serial clock. Data is shifted into the ADE7758 at the DIN logic input on the falling edge of SCLK. Data is shifted out of the ADE7758 at the DOUT logic output on a rising edge of SCLK.

The $\overline{\text{CS}}$ logic input is the chip select input. This input is used when multiple devices share the serial bus. A falling edge on $\overline{\text{CS}}$ also resets the serial interface and places the ADE7758 in communications mode.

The $\overline{\text{CS}}$ input should be driven low for the entire data transfer operation. Bringing $\overline{\text{CS}}$ high during a data transfer operation aborts the transfer and places the serial bus in a high impedance state. The $\overline{\text{CS}}$ logic input can be tied low if the ADE7758 is the only device on the serial bus.

However, with $\overline{\text{CS}}$ tied low, all initiated data transfer operations must be fully completed. The LSB of each register must be transferred because there is no other way of bringing the ADE7758 back into communications mode without resetting the entire device, that is, performing a software reset using Bit 6 of the OPMODE[7:0] register, Address 0x13.

The functionality of the ADE7758 is accessible via several on-chip registers (see Figure 89). The contents of these registers can be updated or read using the on-chip serial interface. After a falling edge on $\overline{\text{CS}}$, the ADE7758 is placed in communications mode. In communications mode, the ADE7758 expects the first communication to be a write to the internal communications register. The data written to the communications register contains the address and specifies the next data transfer to be a read or a write command. Therefore, all data transfer operations with the ADE7758, whether a read or a write, must begin with a write to the communications register.

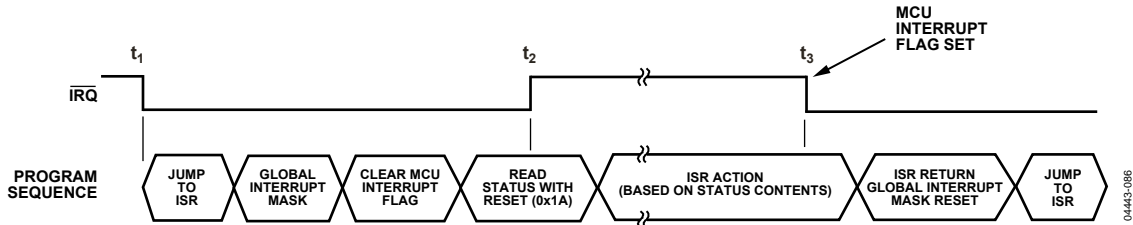


Figure 87. ADE7758 Interrupt Management

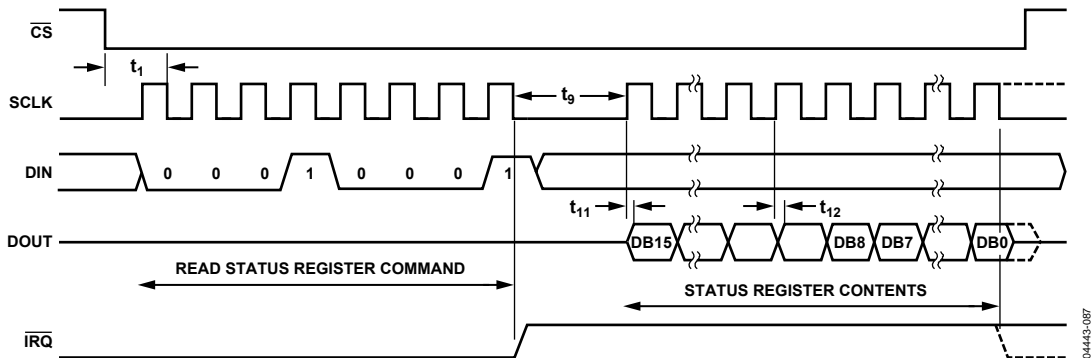


Figure 88. ADE7758 Interrupt Timing

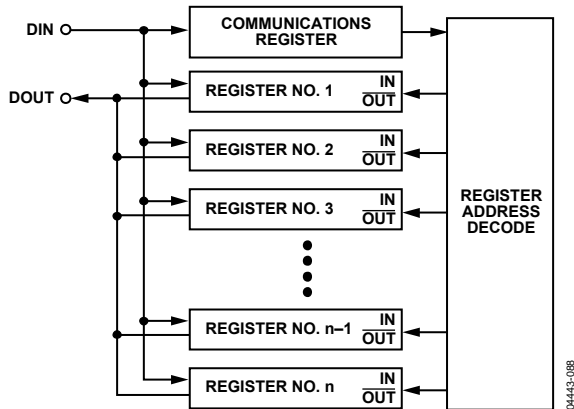


Figure 89. Addressing ADE7758 Registers via the Communications Register

The communications register is an 8-bit, write-only register. The MSB determines whether the next data transfer operation is a read or a write. The seven LSBs contain the address of the register to be accessed (see Table 16).

Figure 90 and Figure 91 show the data transfer sequences for a read and write operation, respectively.

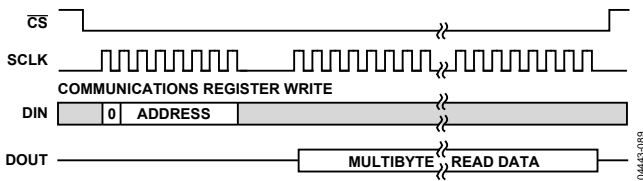


Figure 90. Reading Data from the ADE7758 via the Serial Interface

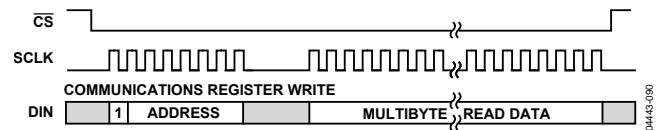


Figure 91. Writing Data to the ADE7758 via the Serial Interface

On completion of a data transfer (read or write), the ADE7758 once again enters into communications mode, that is, the next instruction followed must be a write to the communications register.

A data transfer is completed when the LSB of the ADE7758 register being addressed (for a write or a read) is transferred to or from the ADE7758.

SERIAL WRITE OPERATION

The serial write sequence takes place as follows. With the ADE7758 in communications mode and the CS input logic low, a write to the communications register takes place first. The MSB of this byte transfer must be set to 1, indicating that the next data transfer operation is a write to the register. The seven LSBs of this byte contain the address of the register to be written to. The ADE7758 starts shifting in the register data on the next falling edge of SCLK. All remaining bits of register data are shifted in on the falling edge of the subsequent SCLK pulses (see Figure 92).

As explained earlier, the data write is initiated by a write to the communications register followed by the data. During a data write operation to the ADE7758, data is transferred to all on-chip registers one byte at a time. After a byte is transferred into the serial port, there is a finite time duration before the content in the serial port buffer is transferred to one of the ADE7758 on-chip registers. Although another byte transfer to the serial port can start while the previous byte is being transferred to the destination register, this second-byte transfer should not finish until at least 900 ns after the end of the previous byte transfer. This functionality is expressed in the timing specification t_6 (see Figure 92). If a write operation is aborted during a byte transfer (\overline{CS} brought high), then that byte is not written to the destination register.

Destination registers can be up to 3 bytes wide (see the Accessing the On-Chip Registers section). Therefore, the first byte shifted into the serial port at DIN is transferred to the most significant byte (MSB) of the destination register. If the destination register is 12 bits wide, for example, a two-byte data transfer must take place. The data is always assumed to be right justified; therefore, in this case, the four MSBs of the first byte would be ignored, and the four LSBs of the first byte written to the ADE7758 would be the four MSBs of the 12-bit word. Figure 93 illustrates this example.

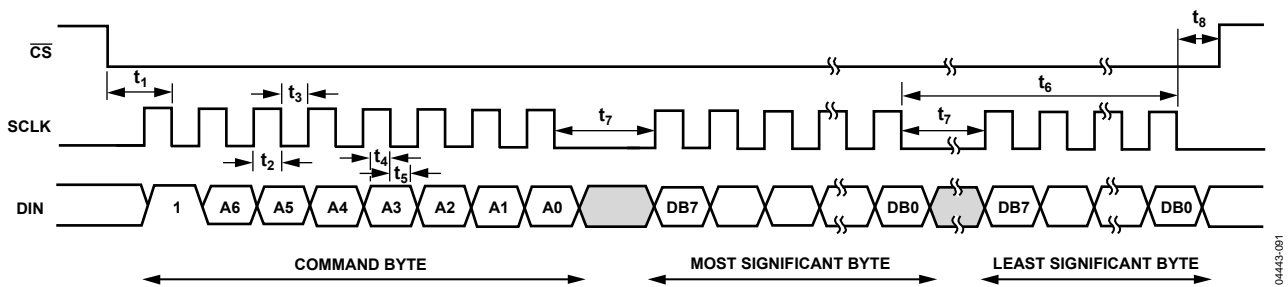


Figure 92. Serial Interface Write Timing Diagram

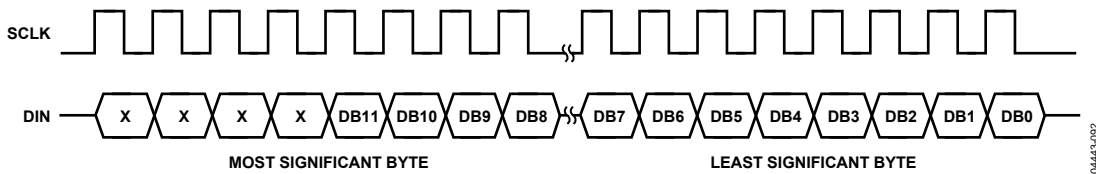


Figure 93. 12-Bit Serial Write Operation

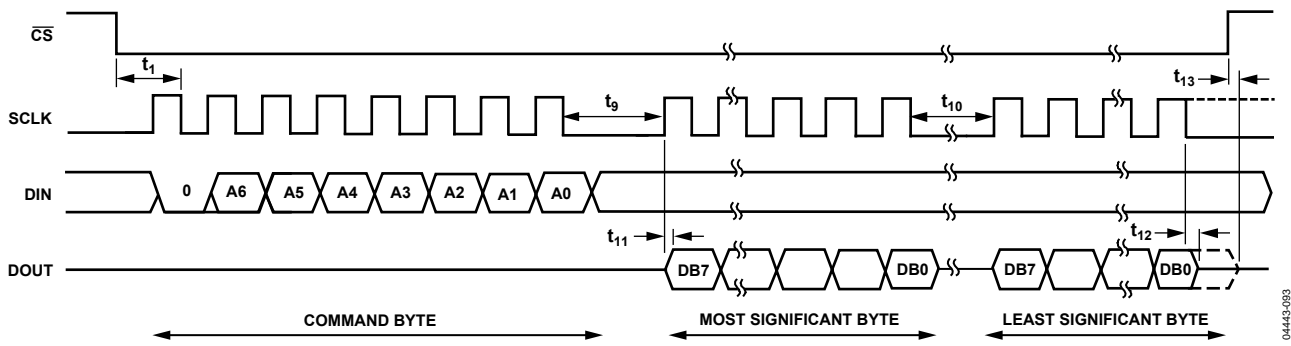


Figure 94. Serial Interface Read Timing Diagram

SERIAL READ OPERATION

During a data read operation from the ADE7758, data is shifted out at the DOUT logic output on the rising edge of SCLK. As was the case with the data write operation, a data read must be preceded with a write to the communications register.

With the ADE7758 in communications mode and \overline{CS} logic low, an 8-bit write to the communications register takes place first. The MSB of this byte transfer must be a 0, indicating that the next data transfer operation is a read. The seven LSBs of this byte contain the address of the register that is to be read. The ADE7758 starts shifting out of the register data on the next rising edge of SCLK (see Figure 94). At this point, the DOUT logic output switches from a high impedance state and starts driving the data bus. All remaining bits of register data are shifted out on subsequent SCLK rising edges. The serial interface enters communications mode again as soon as the read is completed. The DOUT logic output enters a high impedance state on the falling edge of the last SCLK pulse.

The read operation can be aborted by bringing the \overline{CS} logic input high before the data transfer is completed. The DOUT output enters a high impedance state on the rising edge of \overline{CS} .

When an ADE7758 register is addressed for a read operation, the entire contents of that register are transferred to the serial port. This allows the ADE7758 to modify its on-chip registers without the risk of corrupting data during a multibyte transfer.

Note that when a read operation follows a write operation, the read command (that is, write to communications register) should not happen for at least 1.1 μs after the end of the write operation. If the read command is sent within 1.1 μs of the write operation, the last byte of the write operation can be lost.

ACCESSING THE ON-CHIP REGISTERS

All ADE7758 functionality is accessed via the on-chip registers. Each register is accessed by first writing to the communications register and then transferring the register data. For a full description of the serial interface protocol, see the Serial Interface section.

REGISTERS

COMMUNICATIONS REGISTER

The communications register is an 8-bit, write-only register that controls the serial data transfer between the ADE7758 and the host processor. All data transfer operations must begin with a write to the communications register.

The data written to the communications register determines whether the next operation is a read or a write and which register is being accessed.

Table 16 outlines the bit designations for the communications register.

Table 16. Communications Register

Bit Location	Bit Mnemonic	Description
0 to 6	A0 to A6	The seven LSBs of the communications register specify the register for the data transfer operation. Table 17 lists the address of each ADE7758 on-chip register.
7	W/R	When this bit is a Logic 1, the data transfer operation immediately following the write to the communications register is interpreted as a write to the ADE7758. When this bit is a Logic 0, the data transfer operation immediately following the write to the communications register is interpreted as a read operation.

DB7	DB6	DB5	DB4	DB3	DB2	DB1	DB0
W/R	A6	A5	A4	A3	A2	A1	A0

Table 17. ADE7758 Register List

Address [A6:A0]	Name	R/W ¹	Length	Type ²	Default Value	Description
0x00	Reserved	–				Reserved.
0x01	AWATTHR	R	16	S	0	Watt-Hour Accumulation Register for Phase A. Active power is accumulated over time in this read-only register. The AWATTHR register can hold a maximum of 0.52 seconds of active energy information with full-scale analog inputs before it overflows (see the Active Energy Calculation section). Bit 0 and Bit 1 of the COMPMODE register determine how the active energy is processed from the six analog inputs.
0x02	BWATTHR	R	16	S	0	Watt-Hour Accumulation Register for Phase B.
0x03	CWATTHR	R	16	S	0	Watt-Hour Accumulation Register for Phase C.
0x04	AVARHR	R	16	S	0	VAR-Hour Accumulation Register for Phase A. Reactive power is accumulated over time in this read-only register. The AVARHR register can hold a maximum of 0.52 seconds of reactive energy information with full-scale analog inputs before it overflows (see the Reactive Energy Calculation section). Bit 0 and Bit 1 of the COMPMODE register determine how the reactive energy is processed from the six analog inputs.
0x05	BVARHR	R	16	S	0	VAR-Hour Accumulation Register for Phase B.
0x06	CVARHR	R	16	S	0	VAR-Hour Accumulation Register for Phase C.
0x07	AVAHR	R	16	S	0	VA-Hour Accumulation Register for Phase A. Apparent power is accumulated over time in this read-only register. The AVAHR register can hold a maximum of 1.15 seconds of apparent energy information with full-scale analog inputs before it overflows (see the Apparent Energy Calculation section). Bit 0 and Bit 1 of the COMPMODE register determine how the apparent energy is processed from the six analog inputs.
0x08	BVAHR	R	16	S	0	VA-Hour Accumulation Register for Phase B.
0x09	CVAHR	R	16	S	0	VA-Hour Accumulation Register for Phase C.
0x0A	AIRMS	R	24	S	0	Phase A Current Channel RMS Register. The register contains the rms component of the Phase A input of the current channel. The source is selected by data bits in the mode register.
0x0B	BIRMS	R	24	S	0	Phase B Current Channel RMS Register.
0x0C	CIRMS	R	24	S	0	Phase C Current Channel RMS Register.
0x0D	AVRMS	R	24	S	0	Phase A Voltage Channel RMS Register.

Address [A6:A0]	Name	R/W ¹	Length	Type ²	Default Value	Description
0x0E	BVRMS	R	24	S	0	Phase B Voltage Channel RMS Register.
0x0F	CVRMS	R	24	S	0	Phase C Voltage Channel RMS Register.
0x10	FREQ	R	12	U	0	Frequency of the Line Input Estimated by the Zero-Crossing Processing. It can also display the period of the line input. Bit 7 of the LCYCMODE register determines if the reading is frequency or period. Default is frequency. Data Bit 0 and Bit 1 of the MMODE register determine the voltage channel used for the frequency or period calculation.
0x11	TEMP	R	8	S	0	Temperature Register. This register contains the result of the latest temperature conversion. Refer to the Temperature Measurement section for details on how to interpret the content of this register.
0x12	WFORM	R	24	S	0	Waveform Register. This register contains the digitized waveform of one of the six analog inputs or the digitized power waveform. The source is selected by Data Bit 0 to Bit 4 in the WAVMODE register.
0x13	OPMODE	R/W	8	U	4	Operational Mode Register. This register defines the general configuration of the ADE7758 (see Table 18).
0x14	MMODE	R/W	8	U	0xFC	Measurement Mode Register. This register defines the channel used for period and peak detection measurements (see Table 19).
0x15	WAVMODE	R/W	8	U	0	Waveform Mode Register. This register defines the channel and sampling frequency used in the waveform sampling mode (see Table 20).
0x16	COMPmode	R/W	8	U	0x1C	Computation Mode Register. This register configures the formula applied for the energy and line active energy measurements (see Table 22).
0x17	LCYCMODE	R/W	8	U	0x78	Line Cycle Mode Register. This register configures the line cycle accumulation mode for WATT-HR, VAR-HR, and VA-Hr (see Table 23).
0x18	Mask	R/W	24	U	0	IRQ Mask Register. It determines if an interrupt event generates an active-low output at the $\overline{\text{IRQ}}$ pin (see the Interrupts section).
0x19	Status	R	24	U	0	IRQ Status Register. This register contains information regarding the source of the ADE7758 interrupts (see the Interrupts section).
0x1A	RSTATUS	R	24	U	0	IRQ Reset Status Register. Same as the STATUS register, except that its contents are reset to 0 (all flags cleared) after a read operation.
0x1B	ZXTOUT	R/W	16	U	0xFFFF	Zero-Cross Timeout Register. If no zero crossing is detected within the time period specified by this register, the interrupt request line ($\overline{\text{IRQ}}$) goes active low for the corresponding line voltage. The maximum timeout period is 2.3 seconds (see the Zero-Crossing Detection section).
0x1C	LINECYC	R/W	16	U	0xFFFF	Line Cycle Register. The content of this register sets the number of half-line cycles that the active, reactive, and apparent energies are accumulated for in the line accumulation mode.
0x1D	SAGCYC	R/W	8	U	0xFF	SAG Line Cycle Register. This register specifies the number of consecutive half-line cycles where voltage channel input may fall below a threshold level. This register is common to the three line voltage SAG detection. The detection threshold is specified by the SAGLVL register (see the Line Voltage SAG Detection section).
0x1E	SAGLVL	R/W	8	U	0	SAG Voltage Level. This register specifies the detection threshold for the SAG event. This register is common to all three phases' line voltage SAG detections. See the description of the SAGCYC register for details.
0x1F	VPINTLVL	R/W	8	U	0xFF	Voltage Peak Level Interrupt Threshold Register. This register sets the level of the voltage peak detection. Bit 5 to Bit 7 of the MMODE register determine which phases are to be monitored. If the selected voltage phase exceeds this level, the PKV flag in the $\overline{\text{IRQ}}$ status register is set.
0x20	IPINTLVL	R/W	8	U	0xFF	Current Peak Level Interrupt Threshold Register. This register sets the level of the current peak detection. Bit 5 to Bit 7 of the MMODE register determine which phases are to be monitored. If the selected current phase exceeds this level, the PKI flag in the $\overline{\text{IRQ}}$ status register is set.
0x21	VPEAK	R	8	U	0	Voltage Peak Register. This register contains the value of the peak voltage waveform that has occurred within a fixed number of half-line cycles. The number of half-line cycles is set by the LINECYC register.

Address [A6:A0]	Name	R/W ¹	Length	Type ²	Default Value	Description
0x22	IPEAK	R	8	U	0	Current Peak Register. This register holds the value of the peak current waveform that has occurred within a fixed number of half-line cycles. The number of half-line cycles is set by the LINECYC register.
0x23	Gain	R/W	8	U	0	PGA Gain Register. This register is used to adjust the gain selection for the PGA in the current and voltage channels (see the Analog Inputs section).
0x24	AVRMSGAIN	R/W	12	S	0	Phase A VRMS Gain Register. The range of the voltage rms calculation can be adjusted by writing to this register. It has an adjustment range of $\pm 50\%$ with a resolution of 0.0244%/LSB.
0x25	BVRMSGAIN	R/W	12	S	0	Phase B VRMS Gain Register.
0x26	CVRMSGAIN	R/W	12	S	0	Phase C VRMS Gain Register.
0x27	AIGAIN	R/W	12	S	0	Phase A Current Gain Register. This register is not recommended to be used and it should be kept at 0, its default value.
0x28	BIGAIN	R/W	12	S	0	Phase B Current Gain Register. This register is not recommended to be used and it should be kept at 0, its default value.
0x29	CIGAIN	R/W	12	S	0	Phase C Current Gain Register. This register is not recommended to be used and it should be kept at 0, its default value.
0x2A	AWG	R/W	12	S	0	Phase A Watt Gain Register. The range of the watt calculation can be adjusted by writing to this register. It has an adjustment range of $\pm 50\%$ with a resolution of 0.0244%/LSB.
0x2B	BWG	R/W	12	S	0	Phase B Watt Gain Register.
0x2C	CWG	R/W	12	S	0	Phase C Watt Gain Register.
0x2D	AVARG	R/W	12	S	0	Phase A VAR Gain Register. The range of the VAR calculation can be adjusted by writing to this register. It has an adjustment range of $\pm 50\%$ with a resolution of 0.0244%/LSB.
0x2E	BVARG	R/W	12	S	0	Phase B VAR Gain Register.
0x2F	CVARG	R/W	12	S	0	Phase C VAR Gain Register.
0x30	AVAG	R/W	12	S	0	Phase A VA Gain Register. The range of the VA calculation can be adjusted by writing to this register. It has an adjustment range of $\pm 50\%$ with a resolution of 0.0244%/LSB.
0x31	BVAG	R/W	12	S	0	Phase B VA Gain Register.
0x32	CVAG	R/W	12	S	0	Phase C VA Gain Register.
0x33	AVRMSOS	R/W	12	S	0	Phase A Voltage RMS Offset Correction Register.
0x34	BVRMSOS	R/W	12	S	0	Phase B Voltage RMS Offset Correction Register.
0x35	CVRMSOS	R/W	12	S	0	Phase C Voltage RMS Offset Correction Register.
0x36	AIRMSOS	R/W	12	S	0	Phase A Current RMS Offset Correction Register.
0x37	BIRMSOS	R/W	12	S	0	Phase B Current RMS Offset Correction Register.
0x38	CIRMSOS	R/W	12	S	0	Phase C Current RMS Offset Correction Register.
0x39	AWATTOS	R/W	12	S	0	Phase A Watt Offset Calibration Register.
0x3A	BWATTOS	R/W	12	S	0	Phase B Watt Offset Calibration Register.
0x3B	CWATTOS	R/W	12	S	0	Phase C Watt Offset Calibration Register.
0x3C	AVAROS	R/W	12	S	0	Phase A VAR Offset Calibration Register.
0x3D	BVAROS	R/W	12	S	0	Phase B VAR Offset Calibration Register.
0x3E	CVAROS	R/W	12	S	0	Phase C VAR Offset Calibration Register.
0x3F	APHCAL	R/W	7	S	0	Phase A Phase Calibration Register. The phase relationship between the current and voltage channel can be adjusted by writing to this signed 7-bit register (see the Phase Compensation section).
0x40	BPHCAL	R/W	7	S	0	Phase B Phase Calibration Register.
0x41	CPHCAL	R/W	7	S	0	Phase C Phase Calibration Register.
0x42	WDIV	R/W	8	U	0	Active Energy Register Divider.
0x43	VARDIV	R/W	8	U	0	Reactive Energy Register Divider.
0x44	VADIV	R/W	8	U	0	Apparent Energy Register Divider.

Address [A6:A0]	Name	R/W ¹	Length	Type ²	Default Value	Description
0x45	APCFNUM	R/W	16	U	0	Active Power CF Scaling Numerator Register. The content of this register is used in the numerator of the APCF output scaling calculation. Bits [15:13] indicate reverse polarity active power measurement for Phase A, Phase B, and Phase C in order; that is, Bit 15 is Phase A, Bit 14 is Phase B, and so on.
0x46	APCFDEN	R/W	12	U	0x3F	Active Power CF Scaling Denominator Register. The content of this register is used in the denominator of the APCF output scaling.
0x47	VARCFNUM	R/W	16	U	0	Reactive Power CF Scaling Numerator Register. The content of this register is used in the numerator of the VARCF output scaling. Bits [15:13] indicate reverse polarity reactive power measurement for Phase A, Phase B, and Phase C in order; that is, Bit 15 is Phase A, Bit 14 is Phase B, and so on.
0x48	VARCFDEN	R/W	12	U	0x3F	Reactive Power CF Scaling Denominator Register. The content of this register is used in the denominator of the VARCF output scaling.
0x49 to 0x7D	Reserved	–	–	–	–	Reserved.
0x7E	CHKSUM	R	8	U	–	Checksum Register. The content of this register represents the sum of all the ones in the last register read from the SPI port.
0x7F	Version	R	8	U	–	Version of the Die.

¹ This column specifies the read/write capability of the register. R = Read only register. R/W = Register that can be both read and written.

² Type decoder: U = unsigned; S = signed.

OPERATIONAL MODE REGISTER (0x13)

The general configuration of the ADE7758 is defined by writing to the OPMODE register. Table 18 summarizes the functionality of each bit in the OPMODE register.

Table 18. OPMODE Register

Bit Location	Bit Mnemonic	Default Value	Description																																				
0	DISHPF	0	The HPFs in all current channel inputs are disabled when this bit is set.																																				
1	DISLPF	0	The LPFs after the watt and VAR multipliers are disabled when this bit is set.																																				
2	DISCF	1	The frequency outputs APCF and VARCF are disabled when this bit is set.																																				
3 to 5	DISMOD	0	By setting these bits, the ADE7758 ADCs can be turned off. In normal operation, these bits should be left at Logic 0.																																				
			<table border="1"> <thead> <tr> <th colspan="3">DISMOD[2:0]</th> <th>Description</th> </tr> </thead> <tbody> <tr> <td>0</td> <td>0</td> <td>0</td> <td>Normal operation.</td> </tr> <tr> <td>1</td> <td>0</td> <td>0</td> <td>Redirect the voltage inputs to the signal paths for the current channels and the current inputs to the signal paths for the voltage channels.</td> </tr> <tr> <td>0</td> <td>0</td> <td>1</td> <td>Switch off only the current channel ADCs.</td> </tr> <tr> <td>1</td> <td>0</td> <td>1</td> <td>Switch off current channel ADCs and redirect the current input signals to the voltage channel signal paths.</td> </tr> <tr> <td>0</td> <td>1</td> <td>0</td> <td>Switch off only the voltage channel ADCs.</td> </tr> <tr> <td>1</td> <td>1</td> <td>0</td> <td>Switch off voltage channel ADCs and redirect the voltage input signals to the current channel signal paths.</td> </tr> <tr> <td>0</td> <td>1</td> <td>1</td> <td>Put the ADE7758 in sleep mode.</td> </tr> <tr> <td>1</td> <td>1</td> <td>1</td> <td>Put the ADE7758 in power-down mode (reduces I_{BD} to 1 mA typ).</td> </tr> </tbody> </table>	DISMOD[2:0]			Description	0	0	0	Normal operation.	1	0	0	Redirect the voltage inputs to the signal paths for the current channels and the current inputs to the signal paths for the voltage channels.	0	0	1	Switch off only the current channel ADCs.	1	0	1	Switch off current channel ADCs and redirect the current input signals to the voltage channel signal paths.	0	1	0	Switch off only the voltage channel ADCs.	1	1	0	Switch off voltage channel ADCs and redirect the voltage input signals to the current channel signal paths.	0	1	1	Put the ADE7758 in sleep mode.	1	1	1	Put the ADE7758 in power-down mode (reduces I _{BD} to 1 mA typ).
DISMOD[2:0]			Description																																				
0	0	0	Normal operation.																																				
1	0	0	Redirect the voltage inputs to the signal paths for the current channels and the current inputs to the signal paths for the voltage channels.																																				
0	0	1	Switch off only the current channel ADCs.																																				
1	0	1	Switch off current channel ADCs and redirect the current input signals to the voltage channel signal paths.																																				
0	1	0	Switch off only the voltage channel ADCs.																																				
1	1	0	Switch off voltage channel ADCs and redirect the voltage input signals to the current channel signal paths.																																				
0	1	1	Put the ADE7758 in sleep mode.																																				
1	1	1	Put the ADE7758 in power-down mode (reduces I _{BD} to 1 mA typ).																																				
6	SWRST	0	Software Chip Reset. A data transfer to the ADE7758 should not take place for at least 166 μs after a software reset.																																				
7	Reserved	0	This should be left at 0.																																				

MEASUREMENT MODE REGISTER (0x14)

The configuration of the PERIOD and peak measurements made by the ADE7758 is defined by writing to the MMODE register. Table 19 summarizes the functionality of each bit in the MMODE register.

Table 19. MMODE Register

Bit Location	Bit Mnemonic	Default Value	Description															
0 to 1	FREQSEL	0	These bits are used to select the source of the measurement of the voltage line frequency.															
			<table border="1"> <thead> <tr> <th>FREQSEL1</th> <th>FREQSEL0</th> <th>Source</th> </tr> </thead> <tbody> <tr> <td>0</td> <td>0</td> <td>Phase A</td> </tr> <tr> <td>0</td> <td>1</td> <td>Phase B</td> </tr> <tr> <td>1</td> <td>0</td> <td>Phase C</td> </tr> <tr> <td>1</td> <td>1</td> <td>Reserved</td> </tr> </tbody> </table>	FREQSEL1	FREQSEL0	Source	0	0	Phase A	0	1	Phase B	1	0	Phase C	1	1	Reserved
FREQSEL1	FREQSEL0	Source																
0	0	Phase A																
0	1	Phase B																
1	0	Phase C																
1	1	Reserved																
2 to 4	PEAKSEL	7	These bits select the phases used for the voltage and current peak registers. Setting Bit 2 switches the IPEAK and VPEAK registers to hold the absolute values of the largest current and voltage waveform (over a fixed number of half-line cycles) from Phase A. The number of half-line cycles is determined by the content of the LINECYC register. At the end of the LINECYC number of half-line cycles, the content of the registers is replaced with the new peak values. Similarly, setting Bit 3 turns on the peak detection for Phase B, and Bit 4 for Phase C. Note that if more than one bit is set, the VPEAK and IPEAK registers can hold values from two different phases, that is, the voltage and current peak are independently processed (see the Peak Current Detection section).															
5 to 7	PKIRQSEL	7	These bits select the phases used for the peak interrupt detection. Setting Bit 5 switches on the monitoring of the absolute current and voltage waveform to Phase A. Similarly, setting Bit 6 turns on the waveform detection for Phase B, and Bit 7 for Phase C. Note that more than one bit can be set for detection on multiple phases. If the absolute values of the voltage or current waveform samples in the selected phases exceeds the preset level specified in the VPINTLVL or IPINTLVL registers the corresponding bit(s) in the STATUS registers are set (see the Peak Current Detection section).															

WAVEFORM MODE REGISTER (0x15)

The waveform sampling mode of the ADE7758 is defined by writing to the WAVMODE register. Table 20 summarizes the functionality of each bit in the WAVMODE register.

Table 20. WAVMODE Register

Bit Location	Bit Mnemonic	Default Value	Description	
0 to 1	PHSEL	0	These bits are used to select the phase of the waveform sample.	
			PHSEL[1:0]	Source
			0 0	Phase A
			0 1	Phase B
			1 0	Phase C
1 1	Reserved			
2 to 4	WAVSEL	0	These bits are used to select the type of waveform.	
			WAVSEL[2:0]	Source
			0 0 0	Current
			0 0 1	Voltage
			0 1 0	Active Power Multiplier Output
			0 1 1	Reactive Power Multiplier Output
1 0 0	VA Multiplier Output			
Others-	Reserved			
5 to 6	DTRT	0	These bits are used to select the data rate.	
			DTRT[1:0]	Update Rate
			0 0	26.04 kSPS (CLKIN/3/128)
			0 1	13.02 kSPS (CLKIN/3/256)
			1 0	6.51 kSPS (CLKIN/3/512)
1 1	3.25 kSPS (CLKIN/3/1024)			
7	VACF	0	Setting this bit to Logic 1 switches the VARCF output pin to an output frequency that is proportional to the total apparent power (VA). In the default state, Logic 0, the VARCF pin outputs a frequency proportional to the total reactive power (VAR).	

COMPUTATIONAL MODE REGISTER (0x16)

The computational method of the [ADE7758](#) is defined by writing to the COMPMODE register. Table 21 summarizes the functionality of each bit in the COMPMODE register.

Table 21. COMPMODE Register

Bit Location	Bit Mnemonic	Default Value	Description			
0 to 1	CONSEL	0	These bits are used to select the input to the energy accumulation registers. CONSEL[1:0] = 11 is reserved. \overline{IA} , \overline{IB} , and \overline{IC} are IA, IB, and IC phase shifted by -90° , respectively.			
			Registers	CONSEL[1, 0] = 00	CONSEL[1, 0] = 01	CONSEL[1, 0] = 10
			AWATTHR	$VA \times IA$	$VA \times (IA - IB)$	$VA \times (IA - IB)$
			BWATTHR	$VB \times IB$	0	0
			CWATTHR	$VC \times IC$	$VC \times (IC - IB)$	$VC \times IC$
			AVARHR	$VA \times \overline{IA}$	$VA \times (\overline{IA} - \overline{IB})$	$VA \times (IA - IB)$
			BVARHR	$VB \times \overline{IB}$	0	0
			CVARHR	$VC \times \overline{IC}$	$VC \times (\overline{IC} - \overline{IB})$	$VC \times IC$
			AVAHR	$VA_{RMS} \times IA_{RMS}$	$VA_{RMS} \times IA_{RMS}$	$VA_{RMS} \times A_{RMS}$
			BVAHR	$VB_{RMS} \times IB_{RMS}$	$(VA_{RMS} + VC_{RMS})/2 \times IB_{RMS}$	$VA_{RMS} \times IB_{RMS}$
CVAHR	$VC_{RMS} \times IC_{RMS}$	$VC_{RMS} \times IC_{RMS}$	$VC_{RMS} \times IC_{RMS}$			
2 to 4	TERMSEL	7	These bits are used to select the phases to be included in the APCF and VARCF pulse outputs. Setting Bit 2 selects Phase A (the inputs to AWATTHR and AVARHR registers) to be included. Bit 3 and Bit 4 are for Phase B and Phase C, respectively. Setting all three bits enables the sum of all three phases to be included in the frequency outputs (see the Active Power Frequency Output and the Reactive Power Frequency Output sections).			
5	ABS	0	Setting this bit places the APCF output pin in absolute only mode. Namely, the APCF output frequency is proportional to the sum of the absolute values of the watt-hour accumulation registers (AWATTHR, BWATTHR, and CWATTHR). Note that this bit only affects the APCF pin and has no effect on the content of the corresponding registers.			
6	SAVAR	0	Setting this bit places the VARCF output pin in the signed adjusted mode. Namely, the VARCF output frequency is proportional to the sign-adjusted sum of the VAR-hour accumulation registers (AVARHR, BVARHR, and CVARHR). The sign of the VAR is determined from the sign of the watt calculation from the corresponding phase, that is, the sign of the VAR is flipped if the sign of the watt is negative, and if the watt is positive, there is no change to the sign of the VAR. Note that this bit only affects the VARCF pin and has no effect on the content of the corresponding registers.			
7	NOLOAD	0	Setting this bit activates the no-load threshold in the ADE7758 .			

LINE CYCLE ACCUMULATION MODE REGISTER (0x17)

The functionalities involved the line-cycle accumulation mode in the [ADE7758](#) are defined by writing to the LCYCMODE register. Table 22 summarizes the functionality of each bit in the LCYCMODE register.

Table 22. LCYCMODE Register

Bit Location	Bit Mnemonic	Default Value	Description
0	LWATT	0	Setting this bit places the watt-hour accumulation registers (AWATTHR, BWATTHR, and CWATTHR registers) into line-cycle accumulation mode.
1	LVAR	0	Setting this bit places the VAR-hour accumulation registers (AVARHR, BVARHR, and CVARHR registers) into line-cycle accumulation mode.
2	LVA	0	Setting this bit places the VA-hour accumulation registers (AVAHR, BVAHR, and CVAHR registers) into line-cycle accumulation mode.
3 to 5	ZXSEL	7	These bits select the phases used for counting the number of zero crossings in the line-cycle accumulation mode. Bit 3, Bit 4, and Bit 5 select Phase A, Phase B, and Phase C, respectively. More than one phase can be selected for the zero-crossing detection, and the accumulation time is shortened accordingly.
6	RSTREAD	1	Setting this bit enables the read-with-reset for all the WATTHR, VARHR, and VAHR registers for all three phases, that is, a read to those registers resets the registers to 0 after the content of the registers have been read. This bit should be set to Logic 0 when the LWATT, LVAR, or LVA bits are set to Logic 1.
7	FREQSEL	0	Setting this bit causes the FREQ (0x10) register to display the period, instead of the frequency of the line input.

INTERRUPT MASK REGISTER (0x18)

When an interrupt event occurs in the ADE7758, the $\overline{\text{IRQ}}$ logic output goes active low if the mask bit for this event is Logic 1 in the MASK register. The $\overline{\text{IRQ}}$ logic output is reset to its default collector open state when the RSTATUS register is read. Table 23 describes the function of each bit in the interrupt mask register.

Table 23. Function of Each Bit in the Interrupt Mask Register

Bit Location	Interrupt Flag	Default Value	Description
0	AEHF	0	Enables an interrupt when there is a change in Bit 14 of any one of the three WATTHR registers, that is, the WATTHR register is half full.
1	REHF	0	Enables an interrupt when there is a change in Bit 14 of any one of the three VARHR registers, that is, the VARHR register is half full.
2	VAEHF	0	Enables an interrupt when there is a 0 to 1 transition in the MSB of any one of the three VAHR registers, that is, the VAHR register is half full.
3	SAGA	0	Enables an interrupt when there is a SAG on the line voltage of the Phase A.
4	SAGB	0	Enables an interrupt when there is a SAG on the line voltage of the Phase B.
5	SAGC	0	Enables an interrupt when there is a SAG on the line voltage of the Phase C.
6	ZXTOA	0	Enables an interrupt when there is a zero-crossing timeout detection on Phase A.
7	ZXTOB	0	Enables an interrupt when there is a zero-crossing timeout detection on Phase B.
8	ZXTOC	0	Enables an interrupt when there is a zero-crossing timeout detection on Phase C.
9	ZXA	0	Enables an interrupt when there is a zero crossing in the voltage channel of Phase A (see the Zero-Crossing Detection section).
10	ZXB	0	Enables an interrupt when there is a zero crossing in the voltage channel of Phase B (see the Zero-Crossing Detection section).
11	ZXC	0	Enables an interrupt when there is a zero crossing in the voltage channel of Phase C (see the Zero-Crossing Detection section).
12	LENERGY	0	Enables an interrupt when the energy accumulations over LINECYC are finished.
13	Reserved	0	Reserved.
14	PKV	0	Enables an interrupt when the voltage input selected in the MMODE register is above the value in the VPINTLVL register.
15	PKI	0	Enables an interrupt when the current input selected in the MMODE register is above the value in the IPINTLVL register.
16	WFSM	0	Enables an interrupt when data is present in the WAVEMODE register.
17	REVPAP	0	Enables an interrupt when there is a sign change in the watt calculation among any one of the phases specified by the TERMSEL bits in the COMPMODE register.
18	REVPRP	0	Enables an interrupt when there is a sign change in the VAR calculation among any one of the phases specified by the TERMSEL bits in the COMPMODE register.
19	SEQERR	0	Enables an interrupt when the zero crossing from Phase A is followed not by the zero crossing of Phase C but with that of Phase B.

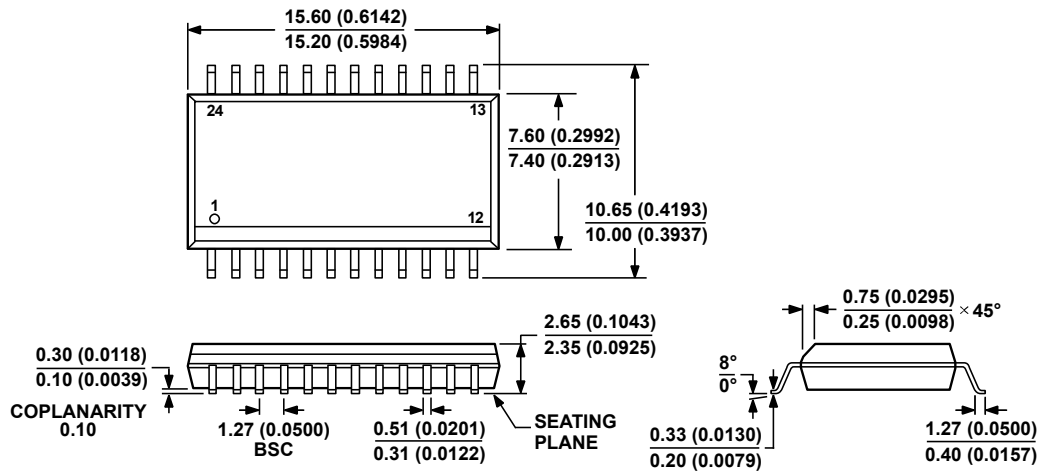
INTERRUPT STATUS REGISTER (0x19)/RESET INTERRUPT STATUS REGISTER (0x1A)

The interrupt status register is used to determine the source of an interrupt event. When an interrupt event occurs in the [ADE7758](#), the corresponding flag in the interrupt status register is set. The $\overline{\text{IRQ}}$ pin goes active low if the corresponding bit in the interrupt mask register is set. When the MCU services the interrupt, it must first carry out a read from the interrupt status register to determine the source of the interrupt. All the interrupts in the interrupt status register stay at their logic high state after an event occurs. The state of the interrupt bit in the interrupt status register is reset to its default value once the reset interrupt status register is read.

Table 24. Interrupt Status Register

Bit Location	Interrupt Flag	Default Value	Event Description
0	AEHF	0	Indicates that an interrupt was caused by a change in Bit 14 among any one of the three WATTHR registers, that is, the WATTHR register is half full.
1	REHF	0	Indicates that an interrupt was caused by a change in Bit 14 among any one of the three VARHR registers, that is, the VARHR register is half full.
2	VAEHF	0	Indicates that an interrupt was caused by a 0 to 1 transition in Bit 15 among any one of the three VAHR registers, that is, the VAHR register is half full.
3	SAGA	0	Indicates that an interrupt was caused by a SAG on the line voltage of the Phase A.
4	SAGB	0	Indicates that an interrupt was caused by a SAG on the line voltage of the Phase B.
5	SAGC	0	Indicates that an interrupt was caused by a SAG on the line voltage of the Phase C.
6	ZXTOA	0	Indicates that an interrupt was caused by a missing zero crossing on the line voltage of the Phase A.
7	ZXTOB	0	Indicates that an interrupt was caused by a missing zero crossing on the line voltage of the Phase B.
8	ZXTOC	0	Indicates that an interrupt was caused by a missing zero crossing on the line voltage of the Phase C.
9	ZXA	0	Indicates a detection of a rising edge zero crossing in the voltage channel of Phase A.
10	ZXB	0	Indicates a detection of a rising edge zero crossing in the voltage channel of Phase B.
11	ZXC	0	Indicates a detection of a rising edge zero crossing in the voltage channel of Phase C.
12	LENERGY	0	In line energy accumulation, indicates the end of an integration over an integer number of half-line cycles (LINECYC). See the Calibration section.
13	Reset	1	After Bit 6 (SWRST) in OPMODE register is set to 1, the ADE7758 enters software reset. This bit becomes 1 after 166 μsec , indicating the reset process has ended and the registers are set to their default values. It stays 1 until the reset interrupt status register is read and then becomes 0.
14	PKV	0	Indicates that an interrupt was caused when the selected voltage input is above the value in the VPINTLVL register.
15	PKI	0	Indicates that an interrupt was caused when the selected current input is above the value in the IPINTLVL register.
16	WFSM	0	Indicates that new data is present in the waveform register.
17	REVPAP	0	Indicates that an interrupt was caused by a sign change in the watt calculation among any one of the phases specified by the TERMSEL bits in the COMPMODE register.
18	REVPRP	0	Indicates that an interrupt was caused by a sign change in the VAR calculation among any one of the phases specified by the TERMSEL bits in the COMPMODE register.
19	SEQERR	0	Indicates that an interrupt was caused by a zero crossing from Phase A followed not by the zero crossing of Phase C but by that of Phase B.

OUTLINE DIMENSIONS



COMPLIANT TO JEDEC STANDARDS MS-013-AD
 CONTROLLING DIMENSIONS ARE IN MILLIMETERS; INCH DIMENSIONS
 (IN PARENTHESES) ARE ROUNDED-OFF MILLIMETER EQUIVALENTS FOR
 REFERENCE ONLY AND ARE NOT APPROPRIATE FOR USE IN DESIGN.

Figure 95. 24-Lead Standard Small Outline Package [SOIC_W]
 Wide Body (RW-24)
 Dimensions shown in millimeters and (inches)

12-09-2010-A

ORDERING GUIDE

Model ¹	Temperature Range	Package Description	Package Option
ADE7758ARWZ	-40°C to + 85°C	24-Lead Wide Body SOIC_W	RW-24
ADE7758ARWZRL	-40°C to + 85°C	24-Lead Wide Body SOIC_W	RW-24
EVAL-ADE7758ZEB		Evaluation Board	

¹ Z = RoHS Compliant Part.

NOTES

NOTES

Mouser Electronics

Authorized Distributor

Click to View Pricing, Inventory, Delivery & Lifecycle Information:

[Analog Devices Inc.:](#)

[EVAL-ADE7758ZEB](#) [ADE7758ARWZ](#) [ADE7758ARWZRL](#)