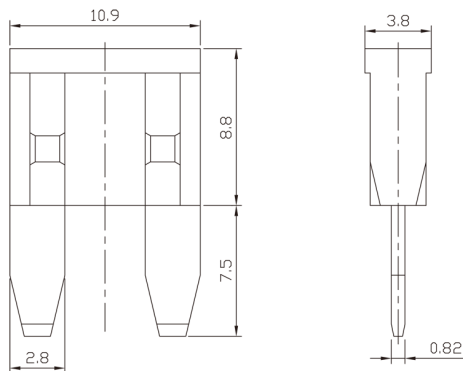




ATN MINI PLUG-IN FUSES (MINI BLADE FUSES)

- Fast Acting
- Voltage Rating : DC32V or less
- Interrupting Rating: 1000A @32VDC
- Operating Temperature Range : -40°C to +125°C
- Complies With SAE J2077 / JASO D612 / ISO 8820-3
- Materials :
 1. Zinc Alloy
 2. Plastic

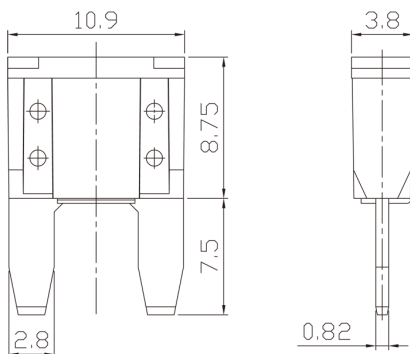


Time-Current Characteristics

| Test Current | Opening Time | |
|--------------|--------------|-------|
| | Min. | Max. |
| 110% | 100hrs. | --- |
| 135% | 0.75 s | 600 s |
| 160% | 0.25 s | 50 s |
| 200% | 0.15 s | 5 s |
| 350% | 0.04 s | 0.5 s |

| 600% | 0.02 s | 0.1 s |
|----------|--------|-------|
| Item No. | Ampere | Color |
| ATN 2 | 2 A | ■ |
| ATN 3 | 3 A | ■ |
| ATN 4 | 4 A | ■ |
| ATN 5 | 5 A | ■ |
| ATN 7.5 | 7.5 A | ■ |
| ATN 10 | 10 A | ■ |
| ATN 15 | 15 A | ■ |
| ATN 20 | 20 A | ■ |
| ATN 25 | 25 A | ■ |
| ATN 30 | 30 A | ■ |
| ATN 35 | 35 A | ■ |

- Fast Acting
- Voltage Rating : DC58V or less
- Interrupting Rating: 1000A @58VDC
- Operating Temperature Range : -40°C to +125°C
- Complies With SAE J2077 / JASO D612 / ISO 8820-3
- Materials :
 1. Zinc Alloy
 2. Plastic



Time-Current Characteristics

| Test Current | Opening Time | |
|--------------|--------------|-------|
| | Min. | Max. |
| 110% | 100hrs. | --- |
| 135% | 0.75 s | 600 s |
| 160% | 0.25 s | 50 s |
| 200% | 0.15 s | 5 s |
| 350% | 0.04 s | 0.5 s |
| 600% | 0.02 s | 0.1 s |
| Item No. | Ampere | Color |
| ATN 2 | 2 A | |
| ATN 3 | 3 A | ■ |
| ATN 4 | 4 A | ■ |
| ATN 5 | 5 A | ■ |
| ATN 7.5 | 7.5 A | ■ |
| ATN 10 | 10 A | ■ |
| ATN 15 | 15 A | ■ |
| ATN 20 | 20 A | ■ |
| ATN 25 | 25 A | ■ |
| ATN 30 | 30 A | ■ |
| ATN 35 | 35 A | ■ |

<https://www.rcscomponents.kiev.ua/catalog/avtomobilnye-predohraniteli/546>