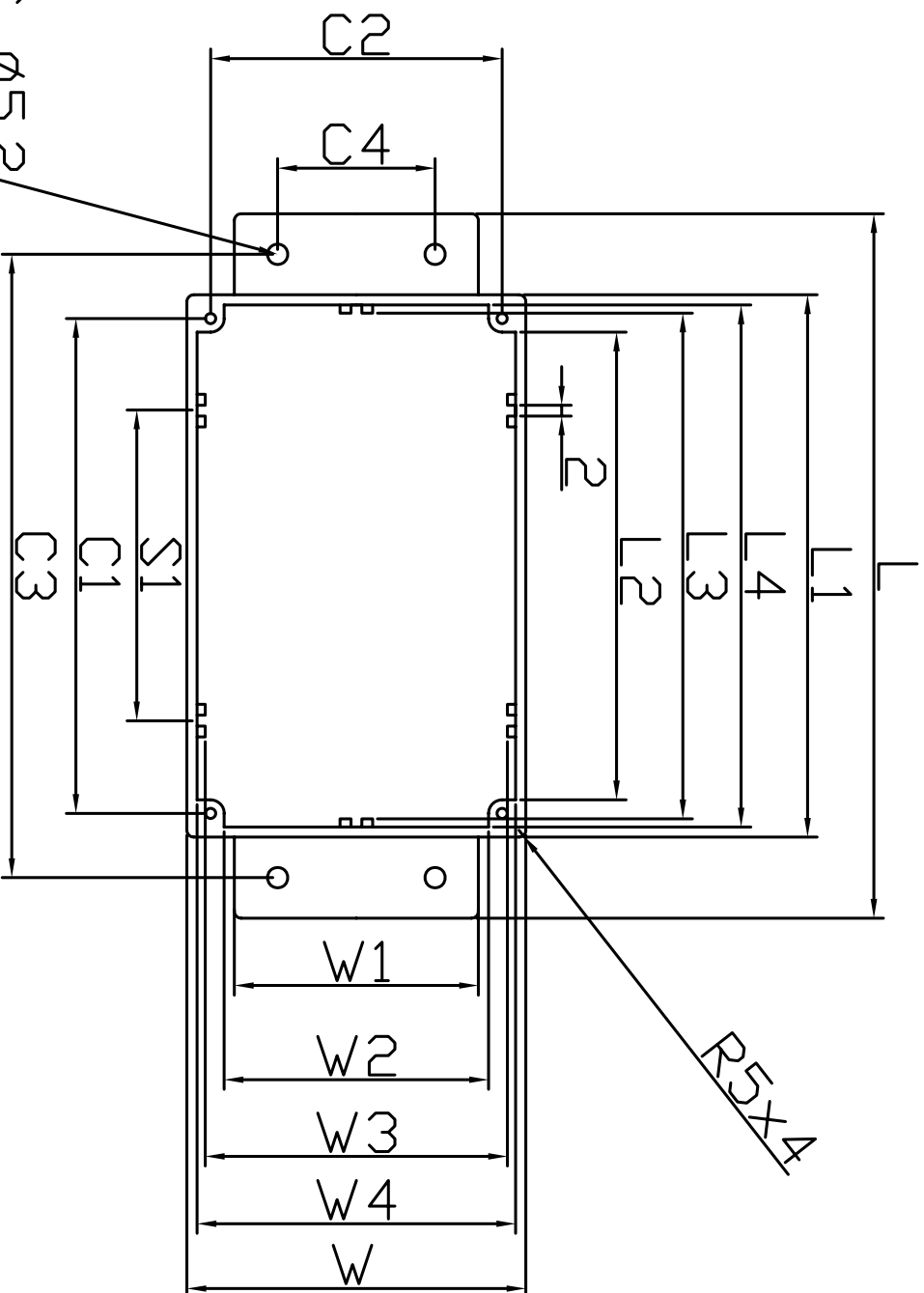


4 HOLES  $\phi 5.2$



Gain'ta Item NO.	L	L1	W	W1	H	C1	C2	C3	C4	S1	L2	L3	L4	W2	W3	W4	H1
B029MF/BS29MF	168.7	139.3	101.6	79.0	76.5	128.8	90.9	157.1	60.1	65.0	122.2	131.2	135.4	84.0	93.1	97.5	70.1
B023MF/BS23MF	149.8	120.1	100.2	80.0	35.6	108.2	88.3	137.0	60.0	45.2	101.8	112.2	116.5	81.9	91.7	95.9	28.8

宣文實業有限公司  
GAIN'TA INDUSTRIES LTD.

設計  
DES'D  
BY

繪圖  
DRA'D  
BY  
Spencer

核圖  
CHK'D  
BY

比例  
SCALE

日期  
DATE  
Aug.23.05

材質  
MATE.  
ALU ADC12

圖名  
TITLE:  
BXXXXMF-4HOLE-6PCB

圖號  
DWG NO.

圖號  
REVISED

說明  
DESCRIPTION