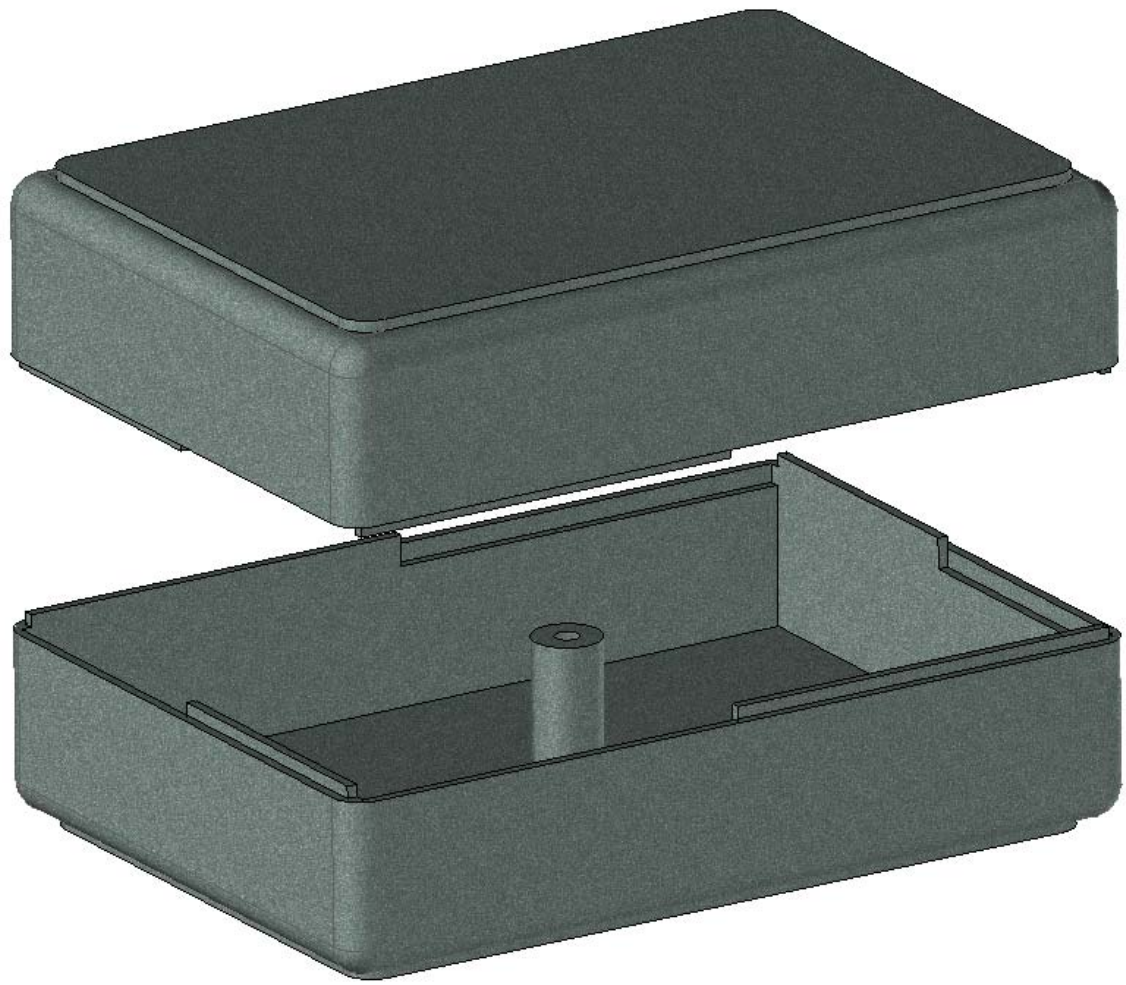
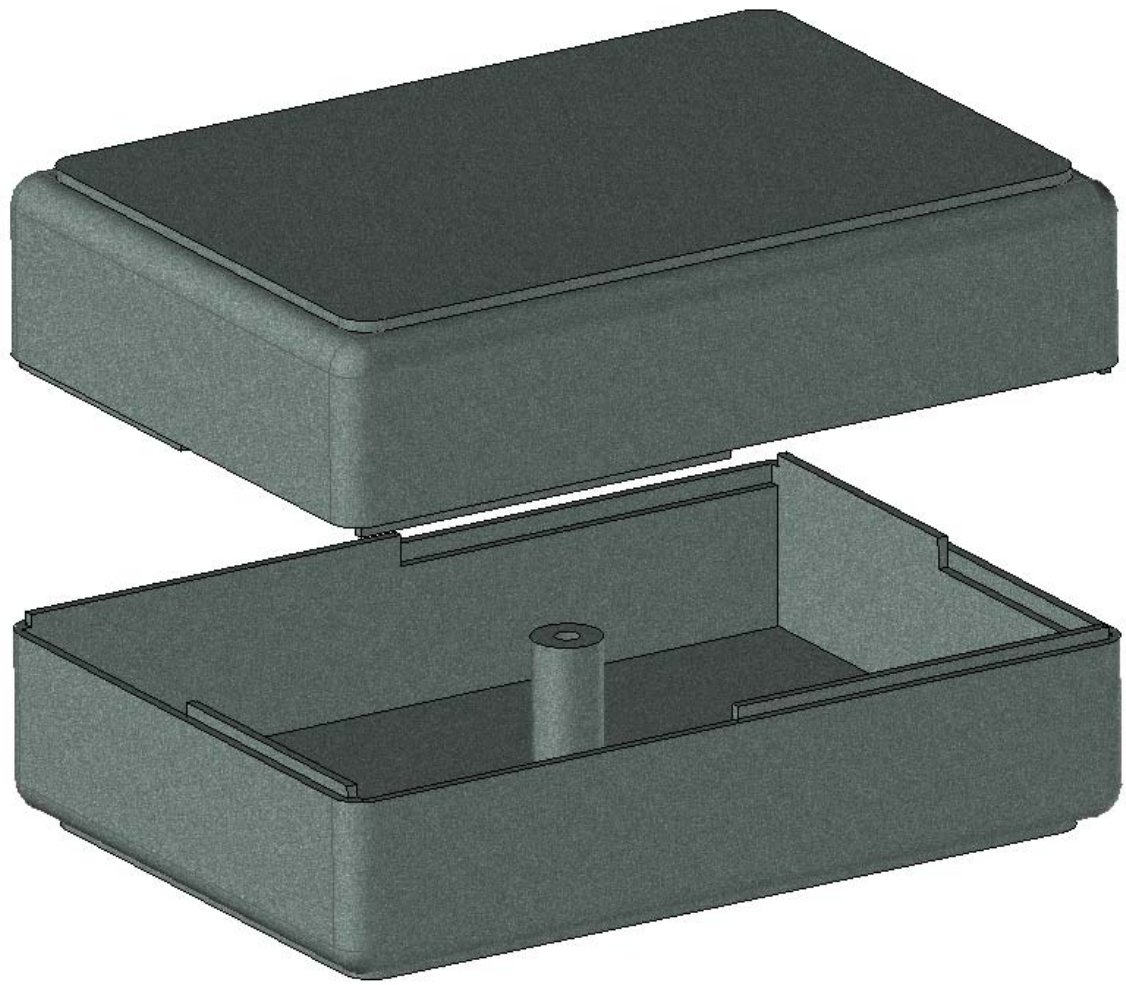


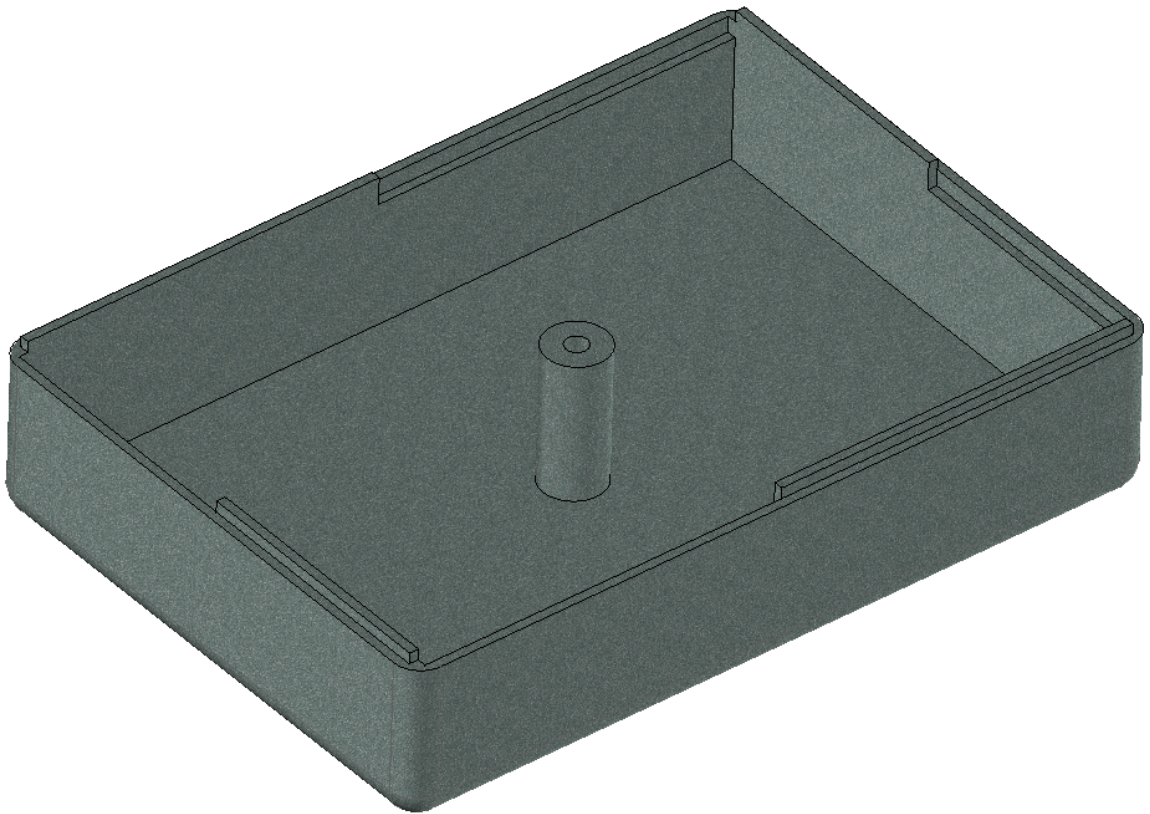
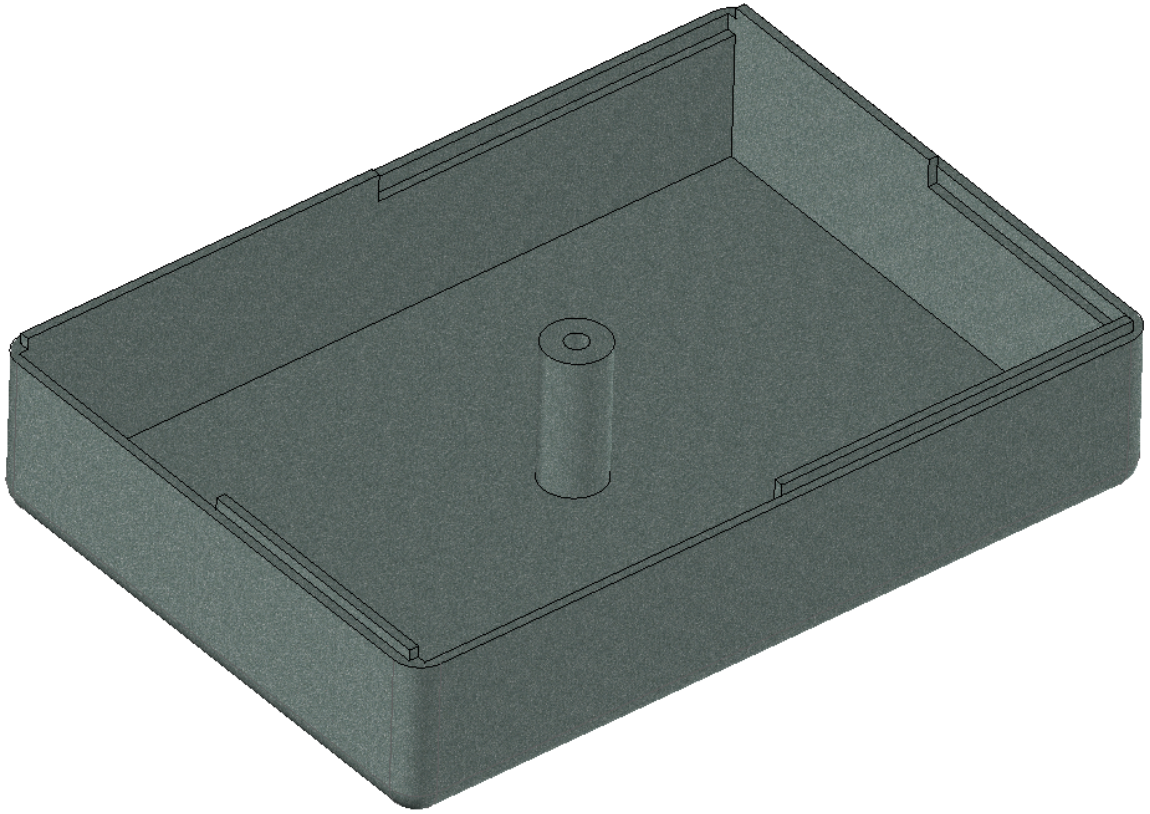
H G H H H H H H D C B A

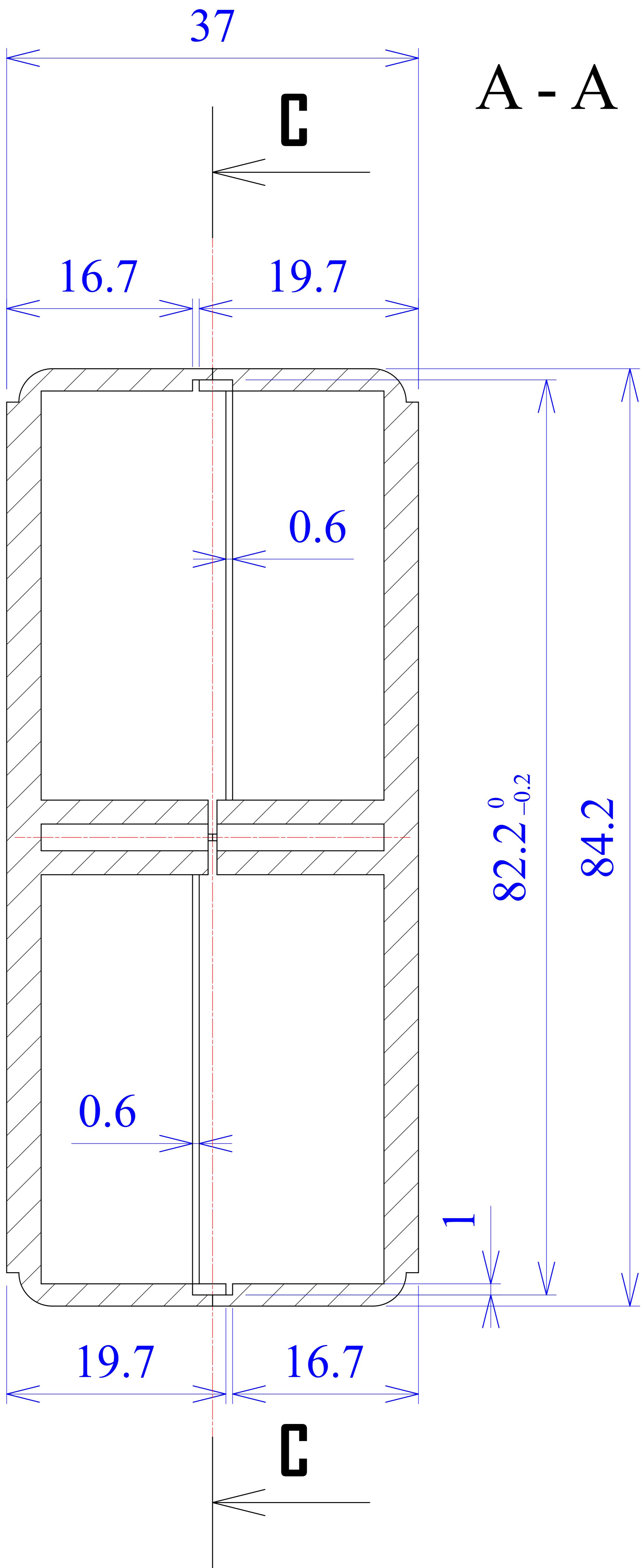
1 2 3 4 1 2 3 4

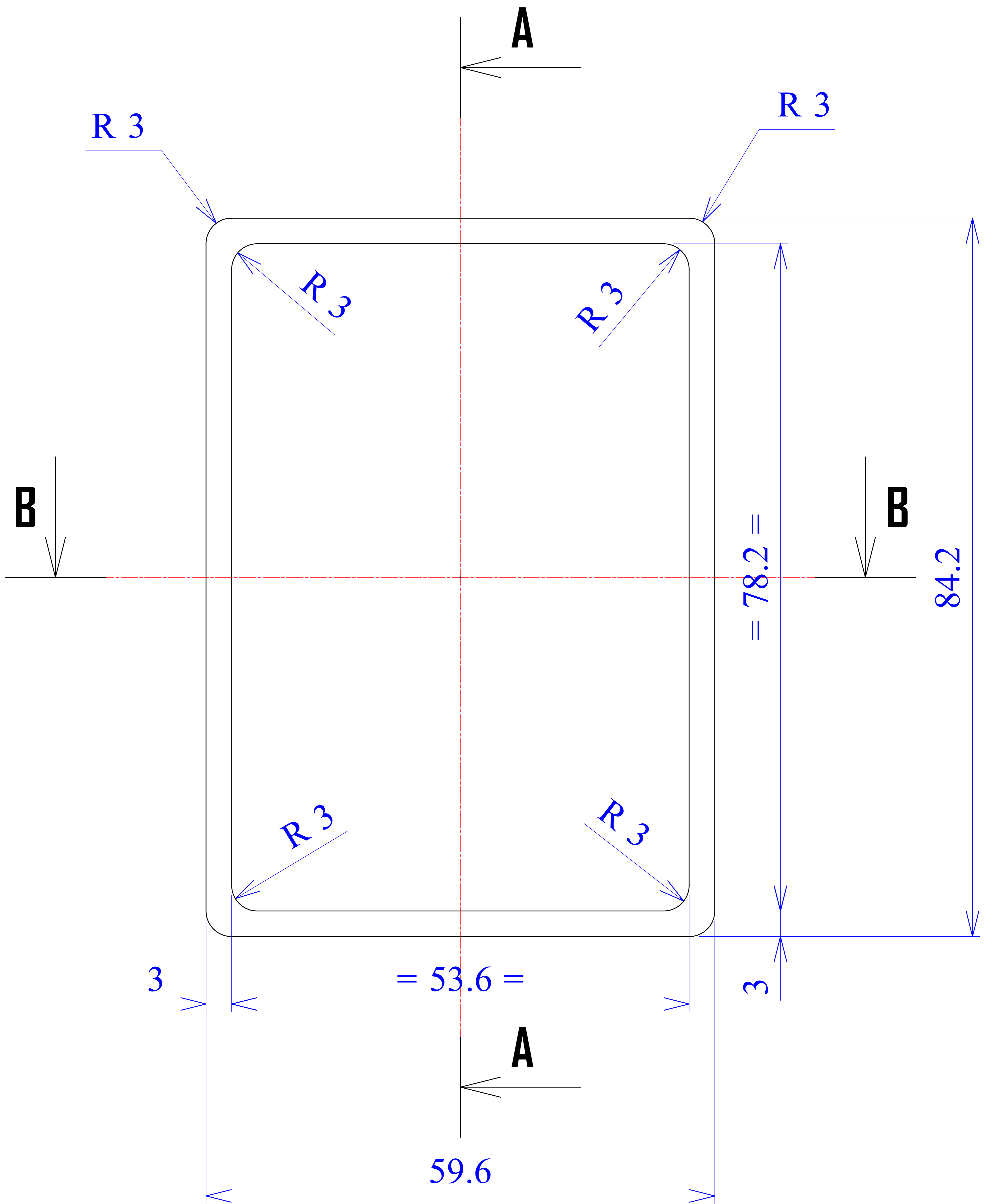


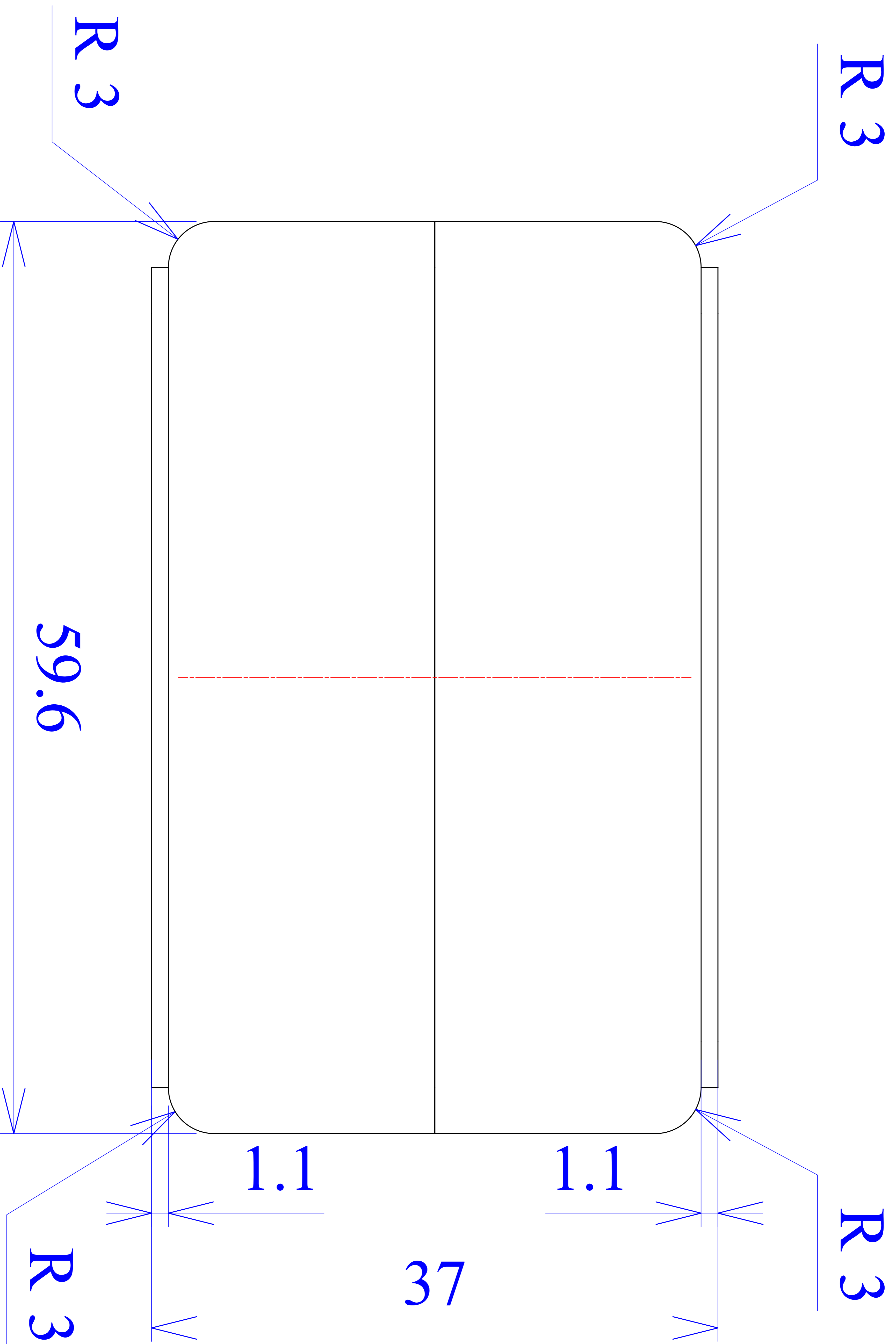


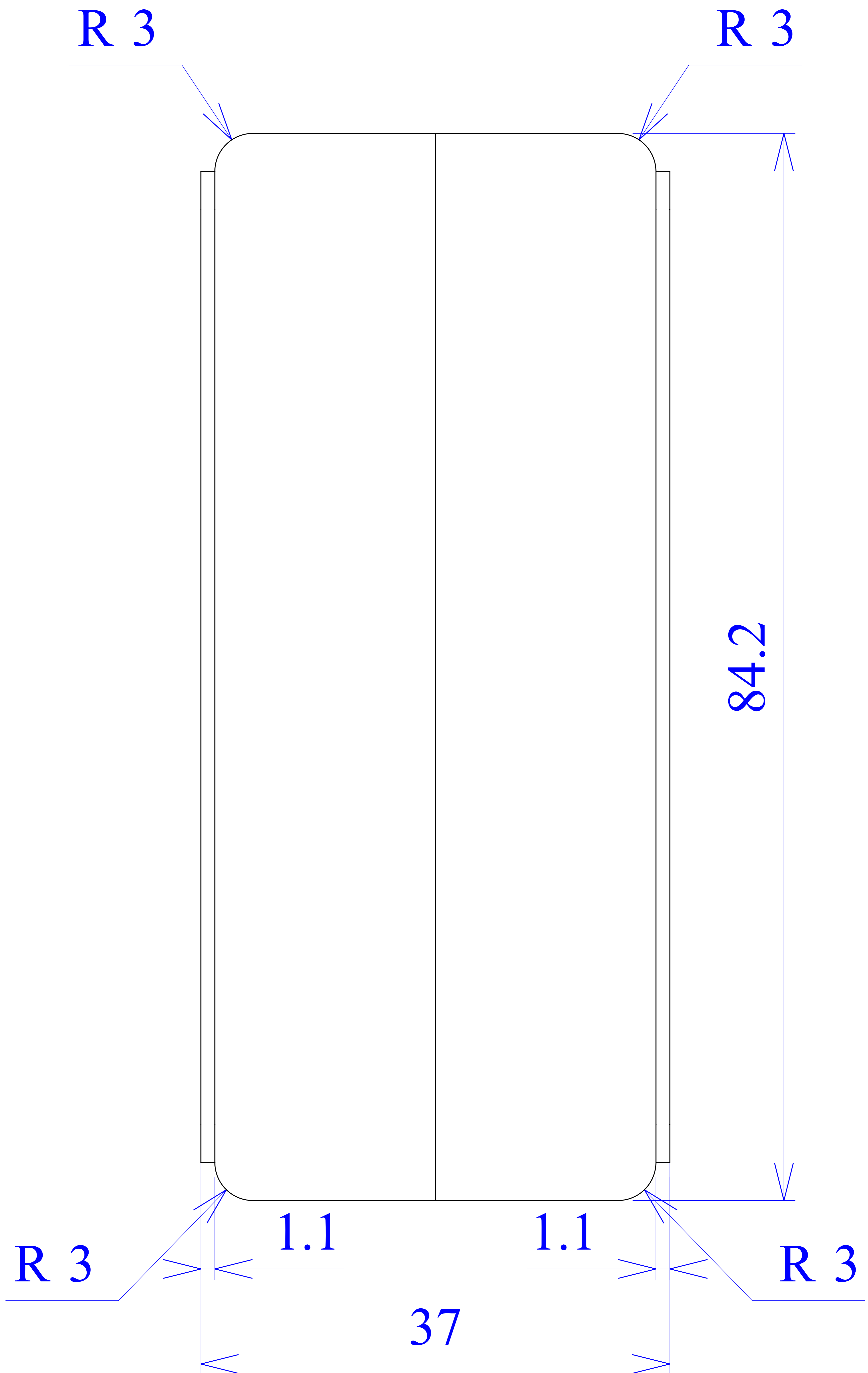


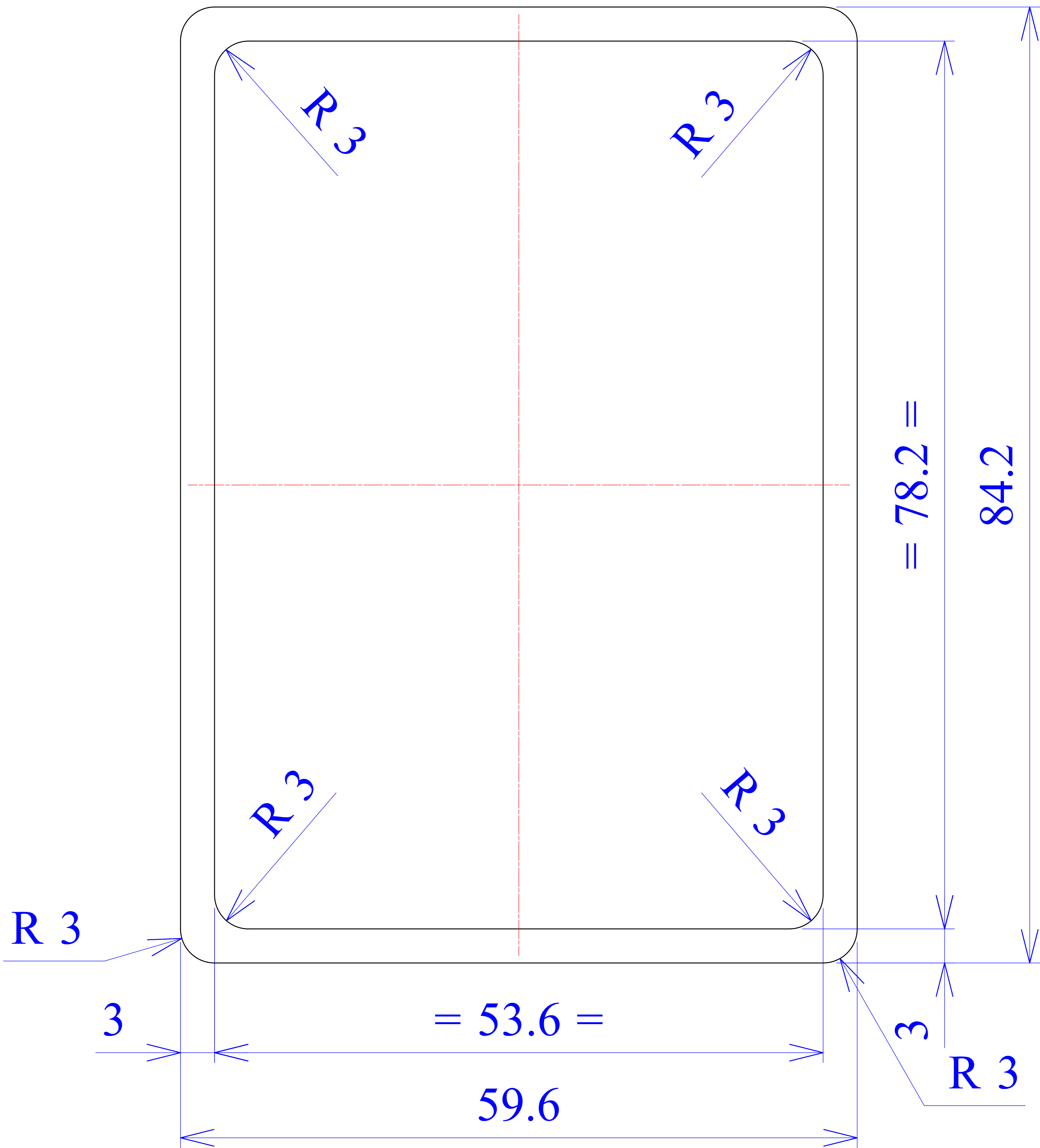


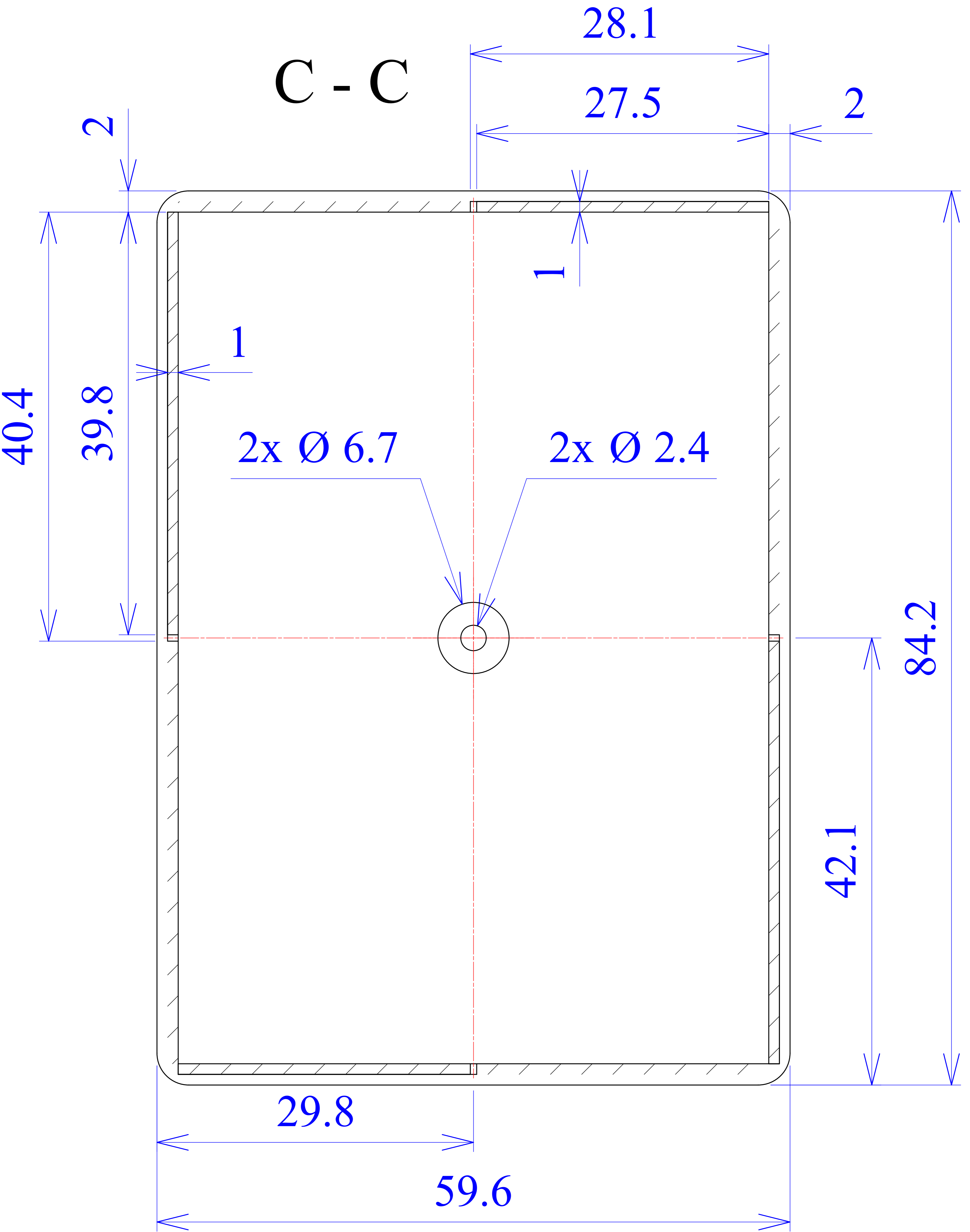












B - B

2x Ø 6.7

2x Ø 2.4

