

# D6 SPST Momentary Key Switches



## Features/Benefits

- Easy X, Y coding on single side PCB
- Positive tactile feedback
- High temperature
- Wide variety of colors & styles
- RoHS compliant and compatible

## Typical Applications

- Video
- Electronic games
- Appliances

## Construction

FUNCTION: momentary  
 CONTACT ARRANGEMENT: 1 make contact (SPST), NO  
 DISTANCE BETWEEN BUTTON CENTERS, MIN.: 12,7 (0.500)  
 TERMINALS: PC pins

## Electrical

SWITCHING POWER MAX.: 3 VA  
 SWITCHING VOLTAGE MAX.: 32 V DC  
 SWITCHING CURRENT MAX.: 100 mA DC  
 DIELECTRIC STRENGTH (50 Hz / 1 min): 250 V  
 OPERATING LIFE with max. switching power: (2,5x10<sup>5</sup> operations)  
 CONTACT RESISTANCE: ≤100 mΩ  
 INSULATION RESISTANCE: ≥10<sup>8</sup> Ω  
 BOUNCE TIME: ≤10 ms

## Packaging

The D6 switches are delivered in boxes containing 10 trays with 250 pieces each: Total 2,500 pieces per box.  
 The D6 buttons are delivered in bulk with 2500 pieces per box.

## Mechanical

SWITCHING TRAVEL:  
 Version F1: 0.2mm ≤ Te ≤ 1.0 mm  
 Version F2: 0.3mm ≤ Te ≤ 1.1 mm  
 OPERATING FORCE:  
 Version F1: 0.8N ≤ Fa ≤ 1.8N  
 Version F2: 2.0N ≤ Fa ≤ 3.5N

## Environmental

OPERATING TEMPERATURE: -20°C to 85°C.

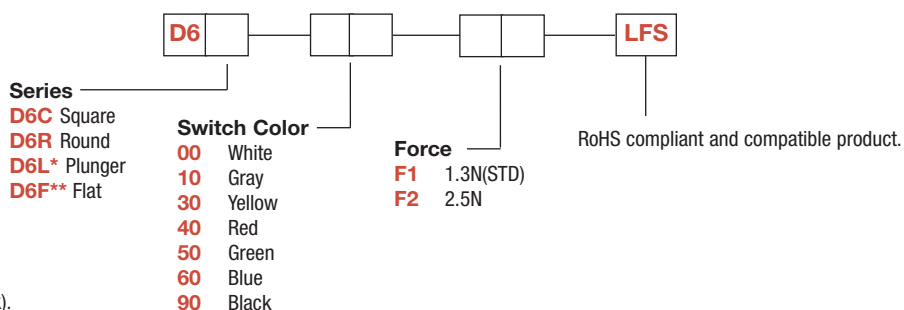
## Process

SOLDERABILITY:  
 Wave soldering, compatible with lead free soldering profile  
 Hand soldering, 350°C for 3 seconds

## How To Order

Our easy build-a-switch concept allows you to mix and match options to create the switch you need. To order, select desired option from each category and place it in the appropriate box.

### Switch



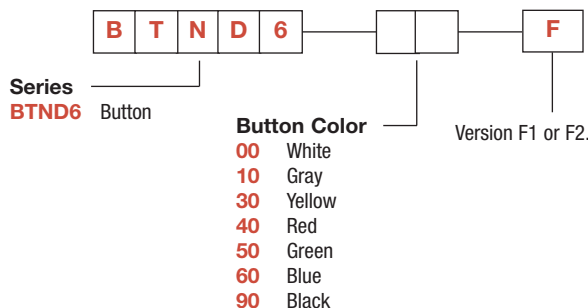
\*Available only in color 90 (black).

\*\* Available only in color 90 (black) and 00 (white).

### Button

Buttons can be ordered separately.  
 Shipped in bulk.

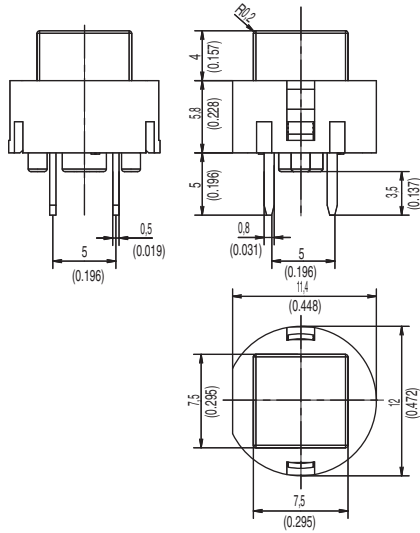
D6 button for use with D6C only.



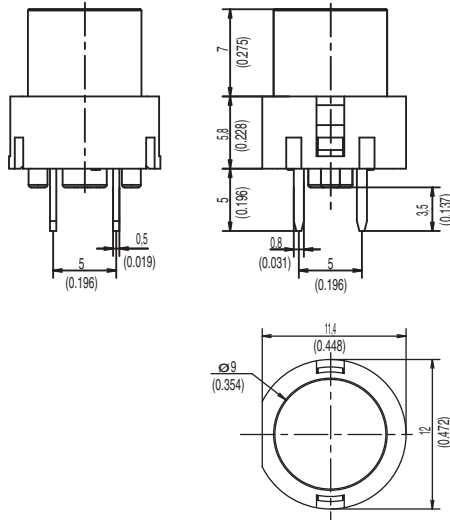
# D6 SPST Momentary Key Switches

SERIES

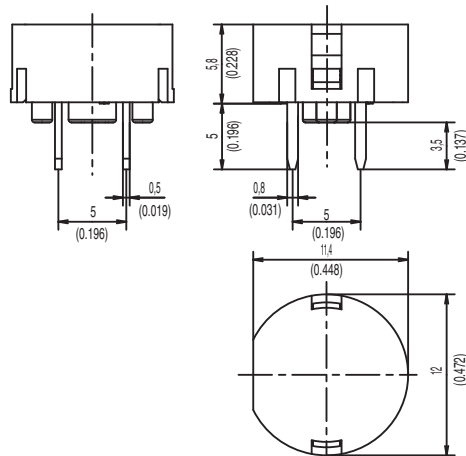
## D6C



## D6R



## D6F



Dimensions are shown: mm  
Specifications and dimensions subject to change



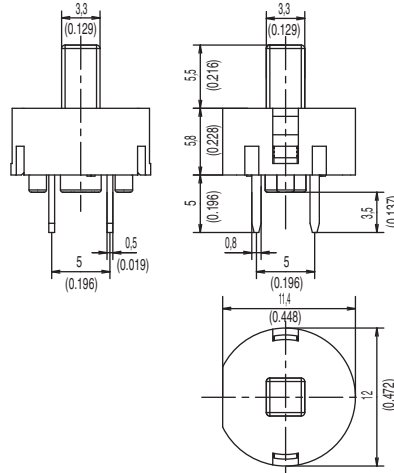
D

Key Switches

# D6 SPST Momentary Key Switches

SERIES 

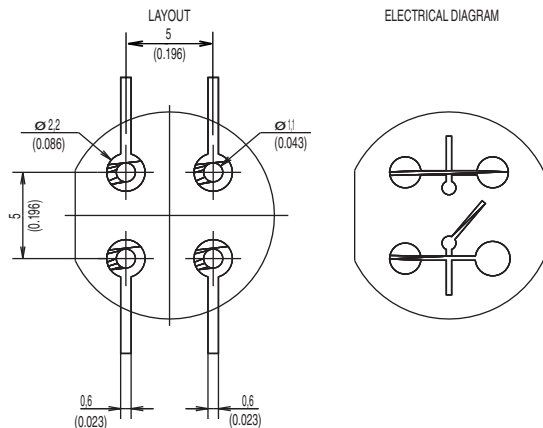
**D6L** ONLY AVAILABLE IN BLACK



SWITCH COLORS 

OPTION CODE	SWITCH COLOR
00	WHITE
10	GRAY
30	YELLOW
40	RED
50	GREEN
60	BLUE
90	BLACK

## PCB LAYOUT



First Angle  
Projection

Dimensions are shown: mm  
Specifications and dimensions subject to change



D

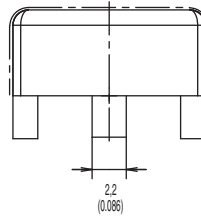
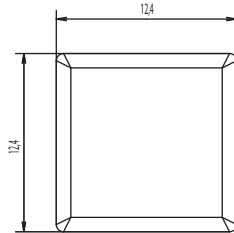
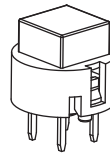
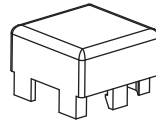
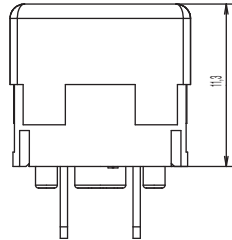
Key Switches

# D6 SPST Momentary Key Switches

## BUTTON AVAILABLE

**BTND6** Buttons must be ordered separately. Shipped in bulk.

**NOTE:** Only compatible with D6C.



OPTION CODE	BUTTON COLOR
00	WHITE
10	GRAY
30	YELLOW
40	RED
50	GREEN
60	BLUE
90	BLACK



D

Key Switches

# Mouser Electronics

Authorized Distributor

Click to View Pricing, Inventory, Delivery & Lifecycle Information:

## C&K Components:

[D6R90 F1 LFS](#) [BTN D6 00 F](#) [D6R10 F1 LFS](#) [D6R00 F1 LFS](#) [D6C90 F1 LFS](#) [D6F90 F1 LFS](#) [D6L90 F1 LFS](#)  
[D6R90 F2 LFS](#) [D6R40 F1 LFS](#) [D6C00 F1 LFS](#) [D6R10 F2 LFS](#) [D6C40 F1 LFS](#) [D6C10 F1 LFS](#) [D6R30 F1 LFS](#)  
[D6L90 F2 LFS](#) [D6R60 F1 LFS](#) [D6C90 F2 LFS](#) [D6R50 F1 LFS](#) [D6C50 F1 LFS](#) [D6C60 F1 LFS](#) [D6C30 F1 LFS](#)  
[D6R30 F2 LFS](#) [D6C50 F2 LFS](#) [D6C30 F2 LFS](#) [D6F90 F2 LFS](#) [D6C10 F2 LFS](#) [D6C40 F2 LFS](#) [D6C60 F2 LFS](#)  
[D6R40 F2 LFS](#) [D6R50 F2 LFS](#) [D6R00 F2 LFS](#) [D6R60 F2 LFS](#) [D6C00 F2 LFS](#) [D6F00 F1 LFS](#) [D6F00 F2 LFS](#)  
[D6C60](#) [D6C40](#) [D6C00](#) [D6C80](#) [D6C90](#) [D6C10](#) [D6C50](#) [D6C30](#) [D6R60](#) [D6R80](#) [D6R00](#) [D6R40](#) [D6R50](#) [D6R90](#)  
[D6R10](#) [D6R30](#) [BTND610F](#) [BTND640F](#) [BTND660F](#) [BTND690F](#)