

DATA SHEET

TDA9821

**Dual channel TV FM intercarrier
sound demodulator**

Product specification
Supersedes data of March 1991
File under Integrated Circuits, IC02

1996 Nov 20

Dual channel TV FM intercarrier sound demodulator

TDA9821

FEATURES

- Two alignment-free PLL FM demodulators
- Automatic second sound carrier mute
- Mono and dual channel application
- Low power consumption
- Few external components required.

GENERAL DESCRIPTION

The TDA9821 is a monolithic, integrated, TV FM intercarrier sound demodulator for all FM standards. The circuit contains two separate FM demodulators using Phase Locked Loop (PLL) reference frequency generation. The circuit requires a minimum number of external components.

QUICK REFERENCE DATA

SYMBOL	PARAMETER	CONDITIONS	MIN.	TYP.	MAX.	UNIT
V_P	supply voltage (pin 14)		4.5	5.0	8.8	V
I_P	supply current (pin 14)		23	30	37	mA
I_M	AC peak current (pins 7 and 8)		–	–	1.5	mA
$V_{i(rms)}$	input signal (RMS value)	$\frac{S+N}{N} = 40$ dB	–	150	250	μ V
$V_{o(rms)}$	output signal (pins 7 and 8; RMS value)	$\Delta f_i = \pm 50$ kHz	0.4	0.5	0.6	V
$\frac{S+N}{N}$	signal plus noise-to-noise ratio (pins 7 and 8)	in accordance with "CCIR 468-3"	64	68	–	dB
$\alpha_{8/7}$	crosstalk attenuation	$f = 50$ to 12500 Hz	60	70	–	dB
RR	supply voltage ripple rejection (pins 7 and 8)	$V_{RR} < 200$ mV; $f = 70$ Hz	16	20	–	dB
T_{amb}	operating ambient temperature		0	–	70	$^{\circ}$ C

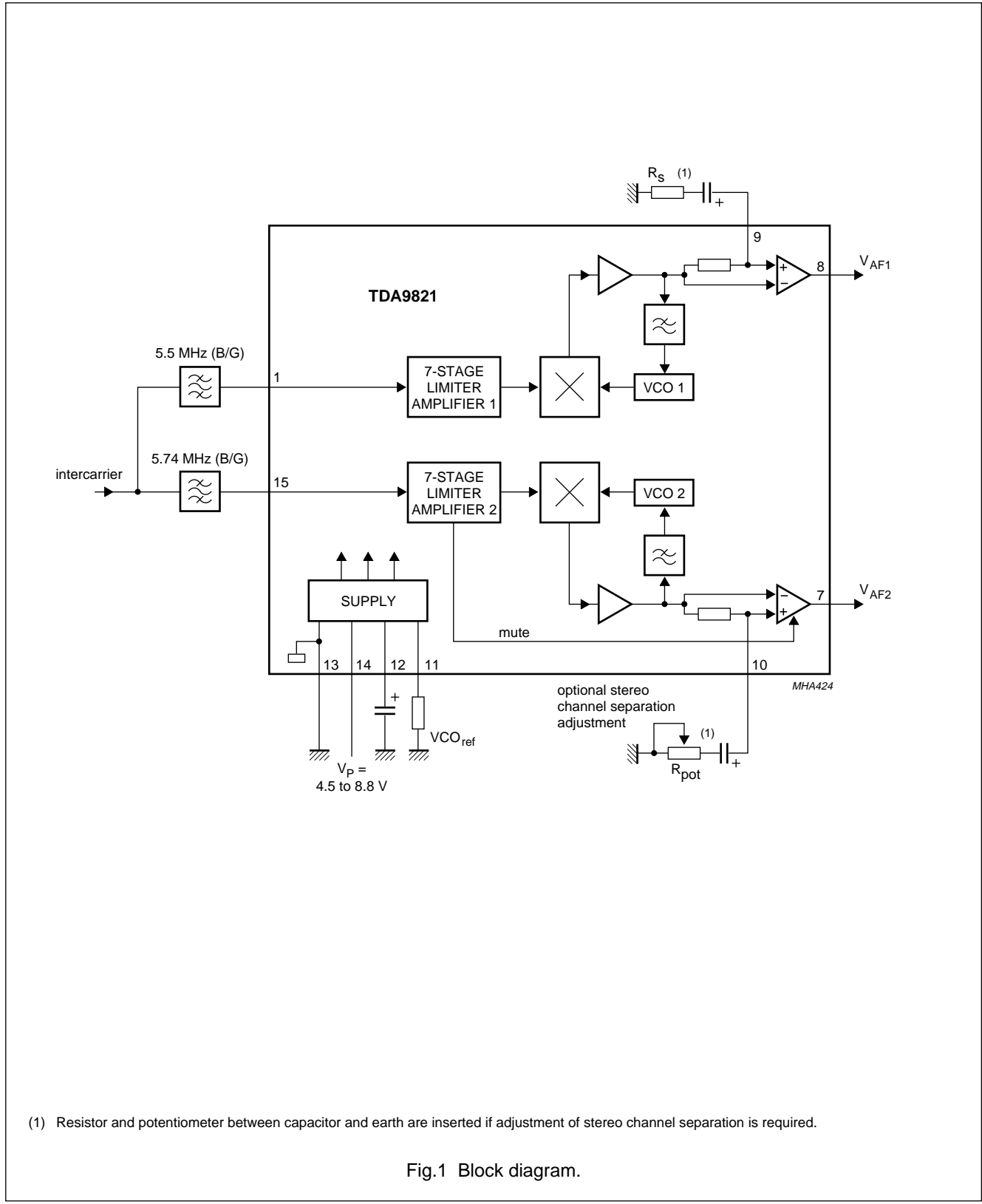
ORDERING INFORMATION

TYPE NUMBER	PACKAGE		
	NAME	DESCRIPTION	VERSION
TDA9821	DIP16	plastic dual in-line package; 16 leads (300 mil); long body	SOT38-1

Dual channel TV FM intercarrier
sound demodulator

TDA9821

BLOCK DIAGRAM



(1) Resistor and potentiometer between capacitor and earth are inserted if adjustment of stereo channel separation is required.

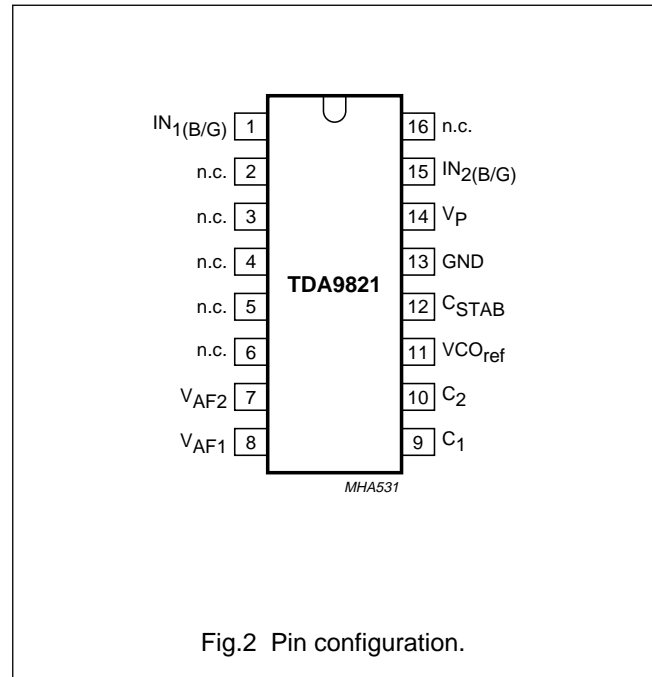
Fig.1 Block diagram.

Dual channel TV FM intercarrier sound demodulator

TDA9821

PINNING

SYMBOL	PIN	DESCRIPTION
IN _{1(B/G)}	1	intercarrier input 1 at 5.5 MHz
n.c.	2	not connected
n.c.	3	not connected
n.c.	4	not connected
n.c.	5	not connected
n.c.	6	not connected
V _{AF2}	7	audio output voltage 2
V _{AF1}	8	audio output voltage 1
C ₁	9	decoupling capacitor 1
C ₂	10	decoupling capacitor 2
VCO _{ref}	11	VCO reference
C _{STAB}	12	supply voltage stabilization
GND	13	ground
V _P	14	supply voltage
IN _{2(B/G)}	15	intercarrier input 2
n.c.	16	not connected



FUNCTIONAL DESCRIPTION

The complete circuit consists of two separate channels, each consisting of a limiter-amplifier, FM demodulator and AF amplifier. Circuit operation is also described in Fig.1.

FM demodulators

The intercarrier signal is fed through external ceramic band-pass filters which are tuned to the sound carrier frequencies.

Each limiter-amplifier is AC-coupled into a FM demodulator. The integrated FM demodulator PLLs are alignment-free. The FM demodulator outputs are amplified to 500 mV (RMS value). High amplification and DC error signals of the PLLs, which are superimposed on the FM demodulator outputs, require DC decoupling at pins 9 and 10 of the AF amplifier inputs.

Stereo channel separation adjustment (optional)

Optimal stereo channel separation is achieved by adjusting V_{AF1} (pin 8) and V_{AF2} (pin 7) as follows:

1. V_{AF1} by a resistor in series with the DC decoupling capacitor at pin 9
2. V_{AF2} by a variable resistor in series with the DC decoupling capacitor on pin 10 to the same voltage as V_{AF1}.

Normally stereo channel separation is adjusted in the stereo decoder for the B/G standard.

Dual channel TV FM intercarrier sound demodulator

TDA9821

Second sound carrier mute

The output of the second FM demodulator is muted when the signal level (signal and/or noise) at pin 15 is less than typically 0.5 mV (RMS value). This avoids an incorrect stereo or dual sound identification when a mono signal is

transmitted. Therefore, with a mono transmission, there is no audio output at pin 7. When the signal level at pin 15 is greater than typically 1.0 mV (RMS value) mute is switched off.

LIMITING VALUES

In accordance with the Absolute Maximum Rating System (IEC 134).

SYMBOL	PARAMETER	CONDITIONS	MIN.	MAX.	UNIT
V_P	supply voltage (pin 14)		-0.5	+9.0	V
V_i	input signal (pins 1 and 15)		-0.5	+5.0	V
t_s	short-circuit time (each pin except pins 13 and 14 to be tested; one at the time)		-	10	s
T_{stg}	storage temperature device device in packing		-25	+125	°C
			-25	+85	°C
T_j	junction temperature		-	150	°C
T_{amb}	operating ambient temperature		0	70	°C
V_{es}	electrostatic handling for all pins	note 1	-500	+500	V
		note 2	-4000	+4000	V

Notes

- Equivalent to discharging a 200 pF capacitor via a 0 Ω series resistor.
- Equivalent to discharging a 100 pF capacitor via a 1.5 k Ω series resistor.

THERMAL CHARACTERISTICS

SYMBOL	PARAMETER	VALUE	UNIT
$R_{th\ j-a}$	thermal resistance from junction to ambient in free air	74	K/W

Dual channel TV FM intercarrier sound demodulator

TDA9821

CHARACTERISTICS

All voltages are measured to GND (pin 13); $V_P = 5\text{ V}$; $T_{\text{amb}} = 25\text{ °C}$; $\Delta f_i = \pm 50\text{ kHz}$; $f_{\text{mod}} = 1\text{ kHz}$; $V_{1,15} = 10\text{ mV}$ (RMS value); measurements taken in Fig.5; unless otherwise specified.

SYMBOL	PARAMETER	CONDITIONS	MIN.	TYP.	MAX.	UNIT
Supply (pin 14)						
V_P	supply voltage		4.5	5.0	8.8	V
I_P	supply current		23	30	37	mA
Limiter-amplifier 1						
V_1	DC input voltage		2.25	2.5	2.75	V
R_1	input resistance		480	600	720	Ω
$V_{1(\text{rms})}$	input signal (RMS value)	$\frac{S+N}{N} = 40\text{ dB}$	–	150	250	μV
	allowed input signal (RMS value)		200	–	–	mV
Limiter-amplifier 2						
V_{15}	DC input voltage		2.25	2.5	2.75	V
$V_{15(\text{rms})}$	input signal (RMS value)	$\frac{S+N}{N} = 40\text{ dB}$; note 1	–	150	250	μV
	input signal for mute off (RMS value)		0.7	1.0	1.5	mV
	allowed input signal (RMS value)		200	–	–	mV
ΔV_{15}	mute hysteresis		8	12	16	dB
R_{15}	input resistance		480	600	720	Ω
PLL FM demodulators VCO1 and VCO2						
f_{VCO1}	free-running frequency	$R_{11} = 27\text{ k}\Omega$	–	5.5	–	MHz
f_{VCO2}	free-running frequency	$R_{11} = 27\text{ k}\Omega$	–	5.7	–	MHz
Δf_{fr}	negative/positive free-running frequency spread		–	–	10	%
$D/\Delta f_{\text{fr}}$	drift of free-running frequencies	$T_{\text{amb}} = 0\text{ to }70\text{ °C}$	–	500	–	kHz
$\Delta f_{\text{fr}(\text{shift})}$	shift of free-running frequencies	$4.5\text{ V} < V_P < 8.8\text{ V}$	–	200	–	kHz
$\Delta f_{\text{fr}(\text{ar})}$	negative/positive adjustment range of free-running frequencies	$R_{11} = 22\text{ k}\Omega$	1	–	–	MHz
R_{11}	adjustment resistance for free-running frequencies (pin 11)		15	–	29	$\text{k}\Omega$
S	negative slope of free-running frequency adjustment	$R_{11} = 22\text{ k}\Omega$	–	200	–	kHz/ $\text{k}\Omega$
Δf_1	negative/positive catching range of PLLs		1.4	1.9	–	MHz
Δf_2	negative/positive holding range of PLLs		2.0	3.0	–	MHz

Dual channel TV FM intercarrier sound demodulator

TDA9821

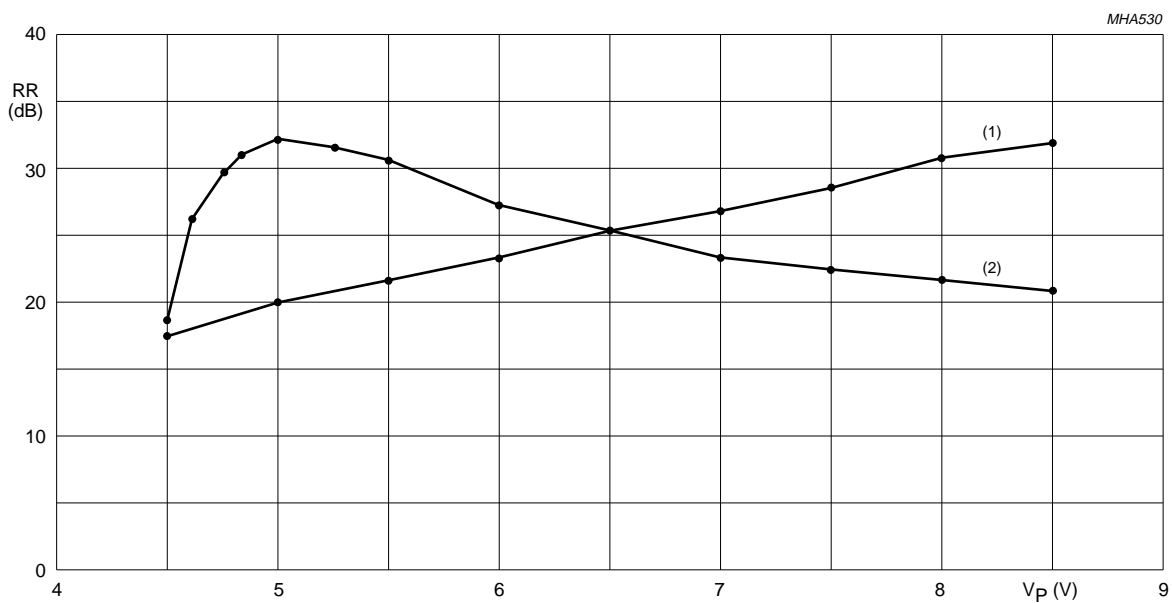
SYMBOL	PARAMETER	CONDITIONS	MIN.	TYP.	MAX.	UNIT
Output amplifiers AF1 (pin 8) and AF2 (pin 7) and overall performance						
V_O	DC output voltage		1.8	2.1	2.5	V
$V_{O(rms)}$	output signal (RMS value)		0.4	0.5	0.6	V
		clipping level	1.2	–	–	V
I_M	AC peak current		–	–	1.5	mA
I_O	DC source current		–	–	2.0	mA
$\Delta V_O/V_O$	absolute drift of AF output signals	$T_{amb} = 0 \text{ to } 70 \text{ }^\circ\text{C}$	–	0.7	–	dB
$\Delta V_{O1}/\Delta V_{O2}$	relative drift of AF output signals	$T_{amb} = 0 \text{ to } 70 \text{ }^\circ\text{C}$	–	0.2	–	dB
$\Delta V_{AF(1-2)}$	negative/positive difference between output signals	50 μs de-emphasis	–	0.3	1.0	dB
R_O	output resistance		–	100	–	Ω
$\alpha_{cs(ar)}$	adjustment range of channel separation	$R_s = 1.1 \text{ k}\Omega$; $R_{pot} = 2.2 \text{ k}\Omega$	1.5	–	–	dB
THD	total harmonic distortion	50 μs de-emphasis				
		pin 8	–	0.1	0.3	%
		pin 7	–	0.25	0.5	%
α_{AM}	AM suppression of AF(1-2)	50 μs de-emphasis; $m = 0.3$; $f_{AM} = 1 \text{ kHz}$	46	66	–	dB
$\frac{S+N}{N}$	signal plus noise-to-noise ratio	50 μs de-emphasis; in accordance with "CCIR 468-3"	64	68	–	dB
AF_{resp}	LOW-level AF frequency response	$\Delta V_{AF(1-2)} = -3 \text{ dB}$	–	–	20	Hz
	HIGH-level AF frequency response		200	–	–	kHz
$AM_{res(rms)}$	residual sound carrier signal and harmonics (RMS value)		–	50	80	mV
$\alpha_{8/7}$	crosstalk attenuation between AF outputs	$f = 50 \text{ to } 12500 \text{ Hz}$	60	70	–	dB
RR	supply voltage ripple rejection	$V_{RR} < 200 \text{ mV}$; $f_r = 20 \text{ Hz to } 200 \text{ kHz}$				
		$V_P = 5 \text{ V}$	16	20	–	dB
		$V_P = 8 \text{ V}$	24	28	–	dB
RR	supply voltage ripple rejection with improved application for $V_P = 5 \text{ V}$	$f_r = 20 \text{ Hz to } 3 \text{ kHz}$; see Fig.3 and note 2				
		$V_P = 4.5 \text{ V}$	18	24	–	dB
		$V_P = 4.75 \text{ V}$	21	27	–	dB
		$V_P = 5.0 \text{ V}$	24	30	–	dB
		$V_P = 5.5 \text{ V}$	21	27	–	dB

Dual channel TV FM intercarrier sound demodulator

TDA9821

Notes

1. The output signal at pin 7 can only be measured when mute is disabled. This is achieved by inserting a resistor of $2.7\text{ k}\Omega$ between pin 15 and ground. In this event the input impedance is $490\ \Omega$.
2. Improvement of ripple rejection is possible by connecting series RC between pin 11 and pin 14 ($15\text{ k}\Omega + 2.2\ \mu\text{F}$; see Fig.5) for a supply voltage of 4.5 to 5.5 V. The rejection of ripple frequencies up to 3 kHz is improved, but up to 200 kHz is worse; see Fig.3.



MHA530

The curves are typical and valid for ripple frequencies between 50 Hz and 3 kHz.

Conditions: input signal: $f = 5.5\text{ MHz}$, 10 mV (RMS value); ripple on $V_P = 100\text{ mV}$ (RMS value), $f_r = 1\text{ kHz}$; ripple rejection measurement: unweighted RMS.

(1) Without RC.

(2) With $R = 15\text{ k}\Omega$ and $C = 2.2\ \mu\text{F}$.

Fig.3 Typical improvement.

Dual channel TV FM intercarrier sound demodulator

TDA9821

INTERNAL CIRCUITRY

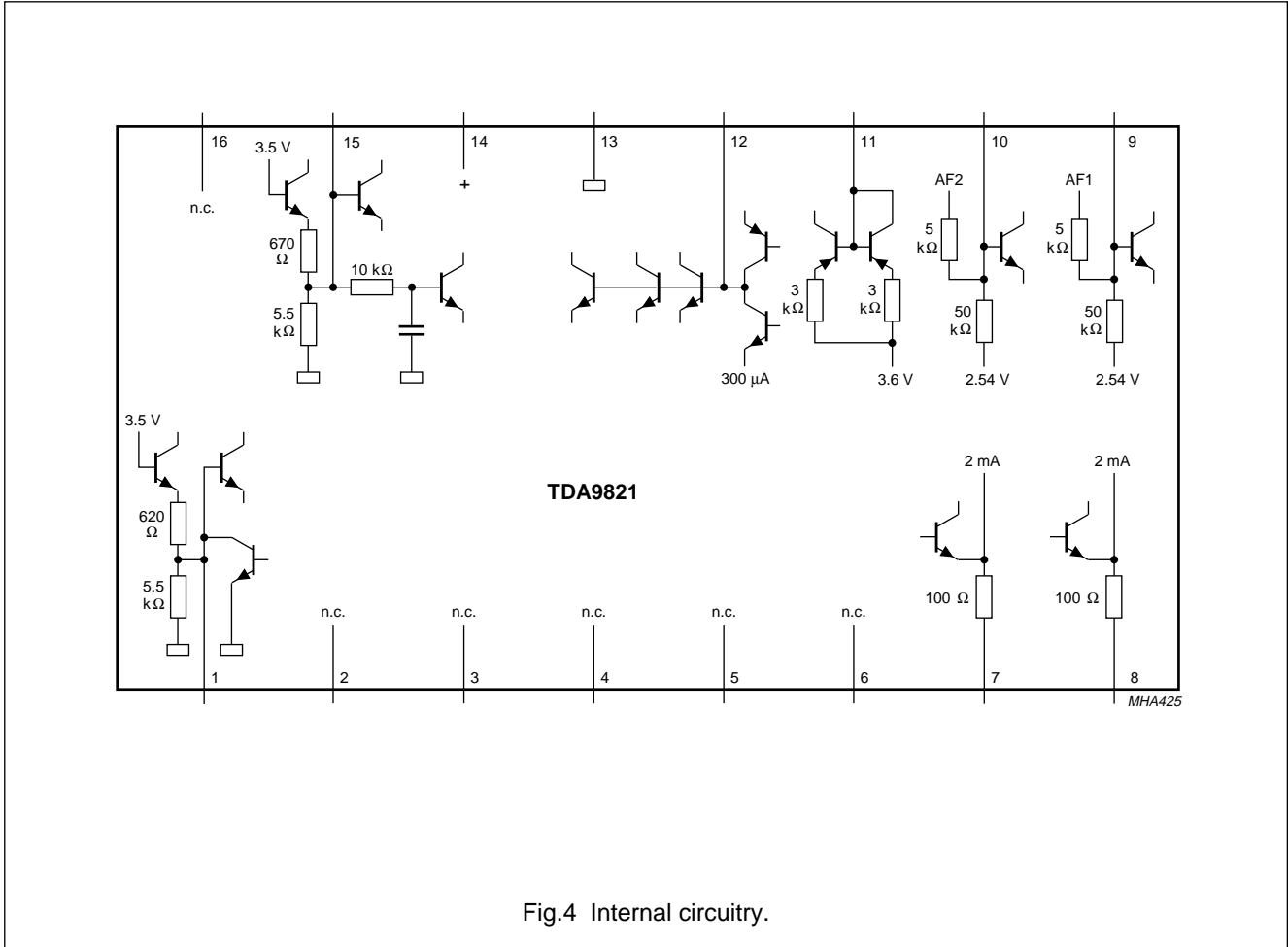
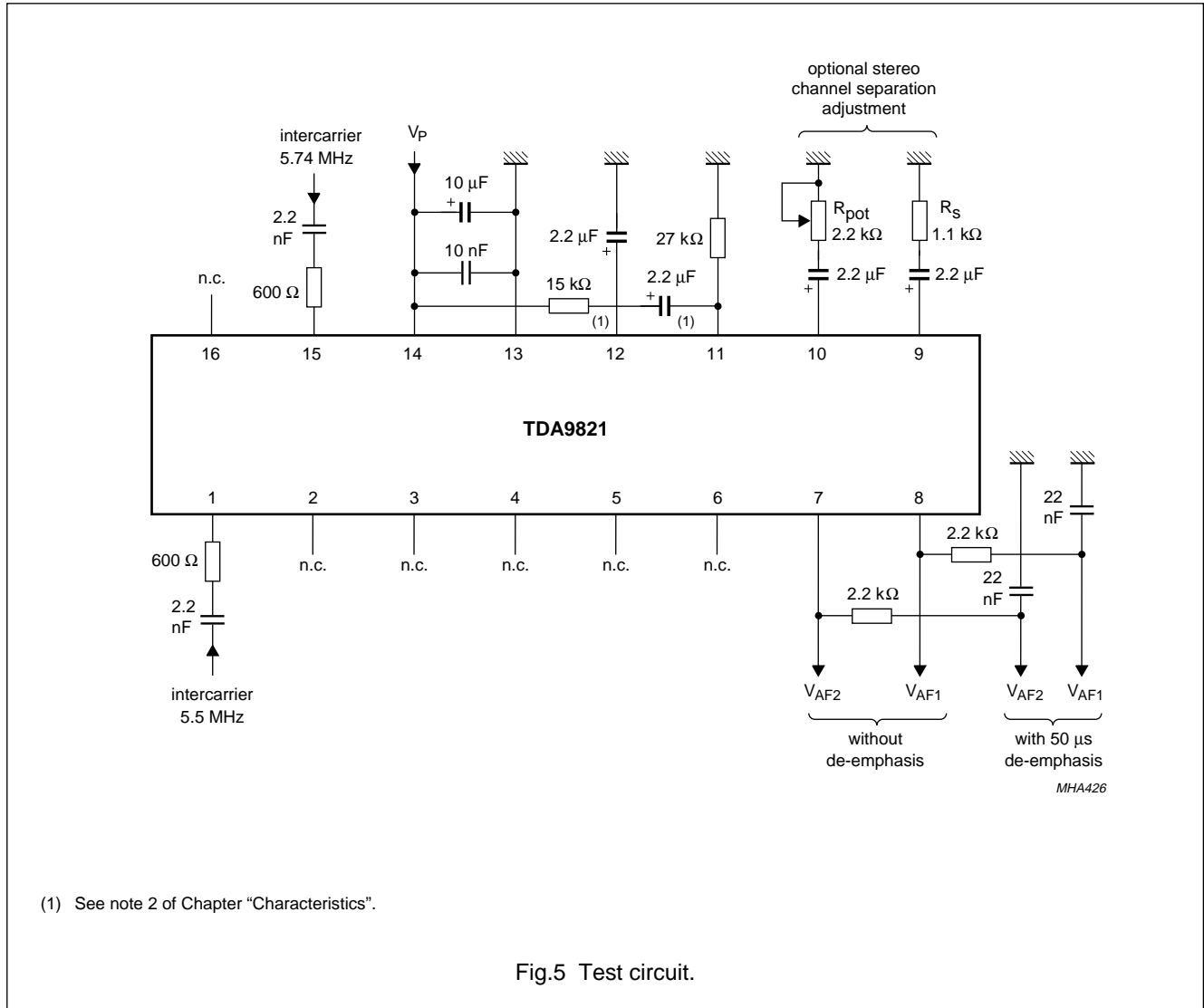


Fig.4 Internal circuitry.

Dual channel TV FM intercarrier sound demodulator

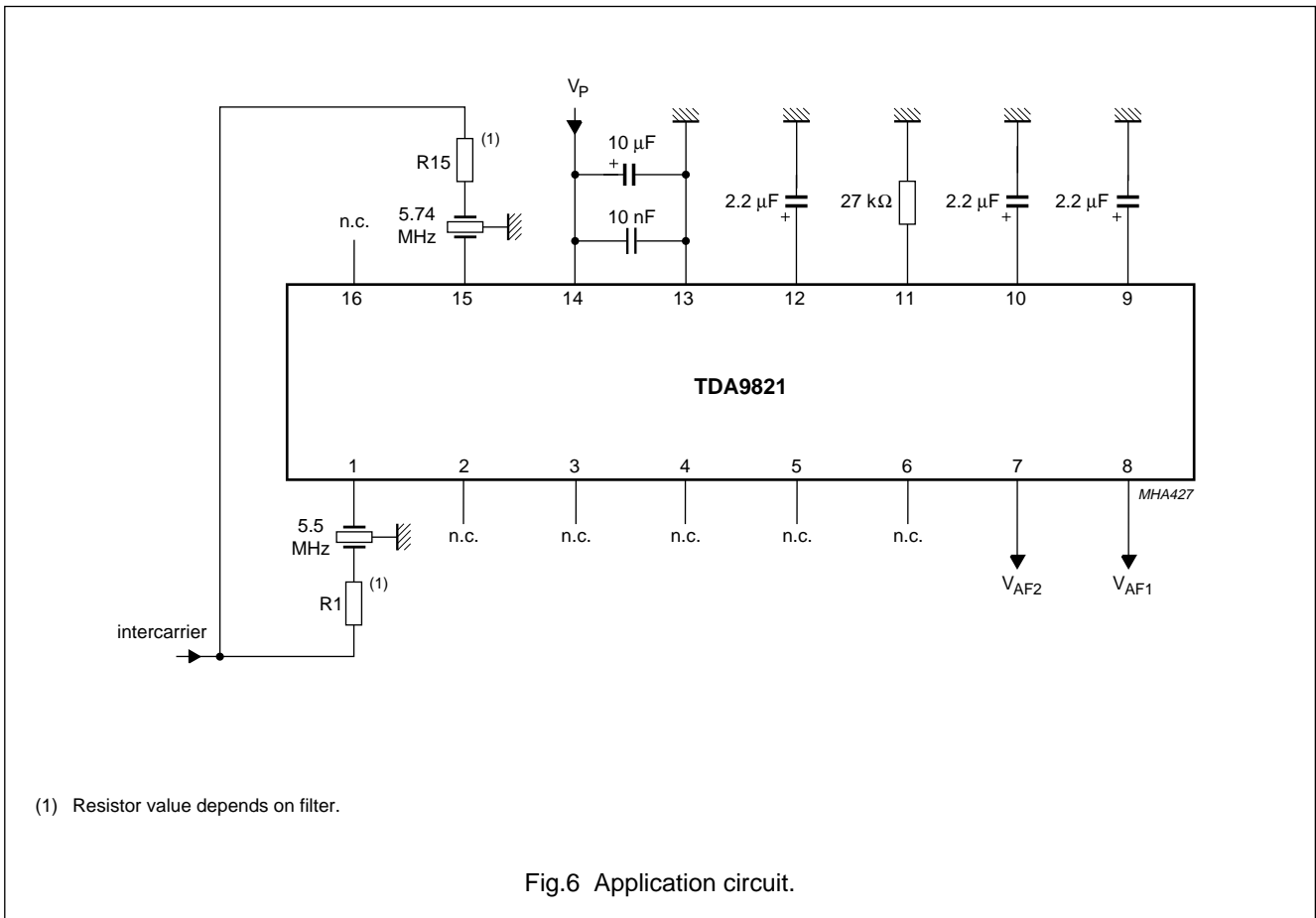
TDA9821

TEST AND APPLICATION INFORMATION



Dual channel TV FM intercarrier
sound demodulator

TDA9821



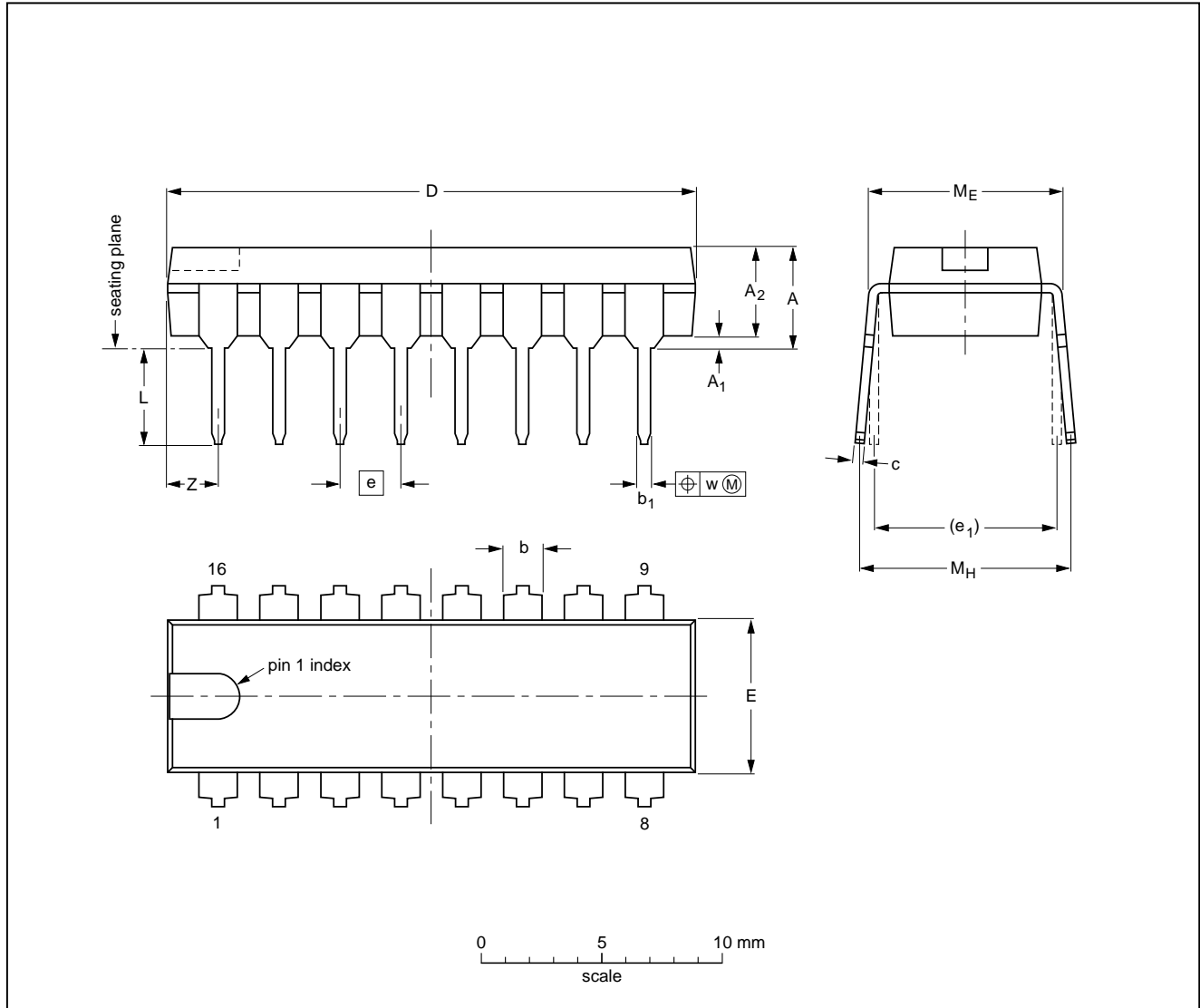
Dual channel TV FM intercarrier
sound demodulator

TDA9821

PACKAGE OUTLINE

DIP16: plastic dual in-line package; 16 leads (300 mil); long body

SOT38-1



DIMENSIONS (inch dimensions are derived from the original mm dimensions)

UNIT	A max.	A ₁ min.	A ₂ max.	b	b ₁	c	D ⁽¹⁾	E ⁽¹⁾	e	e ₁	L	M _E	M _H	w	Z ⁽¹⁾ max.
mm	4.7	0.51	3.7	1.40 1.14	0.53 0.38	0.32 0.23	21.8 21.4	6.48 6.20	2.54	7.62	3.9 3.4	8.25 7.80	9.5 8.3	0.254	2.2
inches	0.19	0.020	0.15	0.055 0.045	0.021 0.015	0.013 0.009	0.86 0.84	0.26 0.24	0.10	0.30	0.15 0.13	0.32 0.31	0.37 0.33	0.01	0.087

Note

1. Plastic or metal protrusions of 0.25 mm maximum per side are not included.

OUTLINE VERSION	REFERENCES			EUROPEAN PROJECTION	ISSUE DATE
	IEC	JEDEC	EIAJ		
SOT38-1	050G09	MO-001AE			92-10-02- 95-01-19

Dual channel TV FM intercarrier sound demodulator

TDA9821

SOLDERING

Introduction

There is no soldering method that is ideal for all IC packages. Wave soldering is often preferred when through-hole and surface mounted components are mixed on one printed-circuit board. However, wave soldering is not always suitable for surface mounted ICs, or for printed-circuits with high population densities. In these situations reflow soldering is often used.

This text gives a very brief insight to a complex technology. A more in-depth account of soldering ICs can be found in our "IC Package Databook" (order code 9398 652 90011).

Soldering by dipping or by wave

The maximum permissible temperature of the solder is 260 °C; solder at this temperature must not be in contact with the joint for more than 5 seconds. The total contact time of successive solder waves must not exceed 5 seconds.

The device may be mounted up to the seating plane, but the temperature of the plastic body must not exceed the specified maximum storage temperature ($T_{stg\ max}$). If the printed-circuit board has been pre-heated, forced cooling may be necessary immediately after soldering to keep the temperature within the permissible limit.

Repairing soldered joints

Apply a low voltage soldering iron (less than 24 V) to the lead(s) of the package, below the seating plane or not more than 2 mm above it. If the temperature of the soldering iron bit is less than 300 °C it may remain in contact for up to 10 seconds. If the bit temperature is between 300 and 400 °C, contact may be up to 5 seconds.

DEFINITIONS

Data sheet status	
Objective specification	This data sheet contains target or goal specifications for product development.
Preliminary specification	This data sheet contains preliminary data; supplementary data may be published later.
Product specification	This data sheet contains final product specifications.
Limiting values	
Limiting values given are in accordance with the Absolute Maximum Rating System (IEC 134). Stress above one or more of the limiting values may cause permanent damage to the device. These are stress ratings only and operation of the device at these or at any other conditions above those given in the Characteristics sections of the specification is not implied. Exposure to limiting values for extended periods may affect device reliability.	
Application information	
Where application information is given, it is advisory and does not form part of the specification.	

LIFE SUPPORT APPLICATIONS

These products are not designed for use in life support appliances, devices, or systems where malfunction of these products can reasonably be expected to result in personal injury. Philips customers using or selling these products for use in such applications do so at their own risk and agree to fully indemnify Philips for any damages resulting from such improper use or sale.

Dual channel TV FM intercarrier sound
demodulator

TDA9821

NOTES

Dual channel TV FM intercarrier sound
demodulator

TDA9821

NOTES

Philips Semiconductors – a worldwide company

Argentina: see South America

Australia: 34 Waterloo Road, NORTH RYDE, NSW 2113,
Tel. +61 2 9805 4455, Fax. +61 2 9805 4466

Austria: Computerstr. 6, A-1101 WIEN, P.O. Box 213,
Tel. +43 1 60 101, Fax. +43 1 60 101 1210

Belarus: Hotel Minsk Business Center, Bld. 3, r. 1211, Volodarski Str. 6,
220050 MINSK, Tel. +375 172 200 733, Fax. +375 172 200 773

Belgium: see The Netherlands

Brazil: see South America

Bulgaria: Philips Bulgaria Ltd., Energoproject, 15th floor,
51 James Bourchier Blvd., 1407 SOFIA,
Tel. +359 2 689 211, Fax. +359 2 689 102

Canada: PHILIPS SEMICONDUCTORS/COMPONENTS,
Tel. +1 800 234 7381

China/Hong Kong: 501 Hong Kong Industrial Technology Centre,
72 Tat Chee Avenue, Kowloon Tong, HONG KONG,
Tel. +852 2319 7888, Fax. +852 2319 7700

Colombia: see South America

Czech Republic: see Austria

Denmark: Prags Boulevard 80, PB 1919, DK-2300 COPENHAGEN S,
Tel. +45 32 88 2636, Fax. +45 31 57 1949

Finland: Sinikalliontie 3, FIN-02630 ESPOO,
Tel. +358 9 615800, Fax. +358 9 61580/xxx

France: 4 Rue du Port-aux-Vins, BP317, 92156 SURESNES Cedex,
Tel. +33 1 40 99 6161, Fax. +33 1 40 99 6427

Germany: Hammerbrookstraße 69, D-20097 HAMBURG,
Tel. +49 40 23 53 60, Fax. +49 40 23 536 300

Greece: No. 15, 25th March Street, GR 17778 TAVROS/ATHENS,
Tel. +30 1 4894 339/239, Fax. +30 1 4814 240

Hungary: see Austria

India: Philips INDIA Ltd, Shivsagar Estate, A Block, Dr. Annie Besant Rd.
Worli, MUMBAI 400 018, Tel. +91 22 4938 541, Fax. +91 22 4938 722

Indonesia: see Singapore

Ireland: Newstead, Clonskeagh, DUBLIN 14,
Tel. +353 1 7640 000, Fax. +353 1 7640 200

Israel: RAPAC Electronics, 7 Kehilat Saloniki St, TEL AVIV 61180,
Tel. +972 3 645 0444, Fax. +972 3 649 1007

Italy: PHILIPS SEMICONDUCTORS, Piazza IV Novembre 3,
20124 MILANO, Tel. +39 2 6752 2531, Fax. +39 2 6752 2557

Japan: Philips Bldg 13-37, Kohnan 2-chome, Minato-ku, TOKYO 108,
Tel. +81 3 3740 5130, Fax. +81 3 3740 5077

Korea: Philips House, 260-199 Itaewon-dong, Yongsan-ku, SEOUL,
Tel. +82 2 709 1412, Fax. +82 2 709 1415

Malaysia: No. 76 Jalan Universiti, 46200 PETALING JAYA, SELANGOR,
Tel. +60 3 750 5214, Fax. +60 3 757 4880

Mexico: 5900 Gateway East, Suite 200, EL PASO, TEXAS 79905,
Tel. +9-5 800 234 7381

Middle East: see Italy

Netherlands: Postbus 90050, 5600 PB EINDHOVEN, Bldg. VB,
Tel. +31 40 27 82785, Fax. +31 40 27 88399

New Zealand: 2 Wagener Place, C.P.O. Box 1041, AUCKLAND,
Tel. +64 9 849 4160, Fax. +64 9 849 7811

Norway: Box 1, Manglerud 0612, OSLO,
Tel. +47 22 74 8000, Fax. +47 22 74 8341

Philippines: Philips Semiconductors Philippines Inc.,
106 Valero St. Salcedo Village, P.O. Box 2108 MCC, MAKATI,
Metro MANILA, Tel. +63 2 816 6380, Fax. +63 2 817 3474

Poland: Ul. Lukiska 10, PL 04-123 WARSZAWA,
Tel. +48 22 612 2831, Fax. +48 22 612 2327

Portugal: see Spain

Romania: see Italy

Russia: Philips Russia, Ul. Usatcheva 35A, 119048 MOSCOW,
Tel. +7 095 247 9145, Fax. +7 095 247 9144

Singapore: Lorong 1, Toa Payoh, SINGAPORE 1231,
Tel. +65 350 2538, Fax. +65 251 6500

Slovakia: see Austria

Slovenia: see Italy

South Africa: S.A. PHILIPS Pty Ltd., 195-215 Main Road Martindale,
2092 JOHANNESBURG, P.O. Box 7430 Johannesburg 2000,
Tel. +27 11 470 5911, Fax. +27 11 470 5494

South America: Rua do Rocio 220, 5th floor, Suite 51,
04552-903 São Paulo, SÃO PAULO - SP, Brazil,
Tel. +55 11 821 2333, Fax. +55 11 829 1849

Spain: Balmes 22, 08007 BARCELONA,
Tel. +34 3 301 6312, Fax. +34 3 301 4107

Sweden: Kottbygatan 7, Akalla, S-16485 STOCKHOLM,
Tel. +46 8 632 2000, Fax. +46 8 632 2745

Switzerland: Allmendstrasse 140, CH-8027 ZÜRICH,
Tel. +41 1 488 2686, Fax. +41 1 481 7730

Taiwan: PHILIPS TAIWAN Ltd., 23-30F, 66,
Chung Hsiao West Road, Sec. 1, P.O. Box 22978,
TAIPEI 100, Tel. +886 2 382 4443, Fax. +886 2 382 4444

Thailand: PHILIPS ELECTRONICS (THAILAND) Ltd.,
209/2 Sanpavuth-Bangna Road Prakanong, BANGKOK 10260,
Tel. +66 2 745 4090, Fax. +66 2 398 0793

Turkey: Talatpasa Cad. No. 5, 80640 GÜLTEPE/ISTANBUL,
Tel. +90 212 279 2770, Fax. +90 212 282 6707

Ukraine: PHILIPS UKRAINE, 4 Patrice Lumumba str., Building B, Floor 7,
252042 KIEV, Tel. +380 44 264 2776, Fax. +380 44 268 0461

United Kingdom: Philips Semiconductors Ltd., 276 Bath Road, Hayes,
MIDDLESEX UB3 5BX, Tel. +44 181 730 5000, Fax. +44 181 754 8421

United States: 811 East Arques Avenue, SUNNYVALE, CA 94088-3409,
Tel. +1 800 234 7381

Uruguay: see South America

Vietnam: see Singapore

Yugoslavia: PHILIPS, Trg N. Pasica 5/v, 11000 BEOGRAD,
Tel. +381 11 625 344, Fax. +381 11 635 777

For all other countries apply to: Philips Semiconductors, Marketing & Sales Communications,
Building BE-p, P.O. Box 218, 5600 MD EINDHOVEN, The Netherlands, Fax. +31 40 27 24825

Internet: <http://www.semiconductors.philips.com>

© Philips Electronics N.V. 1996

SCA52

All rights are reserved. Reproduction in whole or in part is prohibited without the prior written consent of the copyright owner.

The information presented in this document does not form part of any quotation or contract, is believed to be accurate and reliable and may be changed without notice. No liability will be accepted by the publisher for any consequence of its use. Publication thereof does not convey nor imply any license under patent- or other industrial or intellectual property rights.

Printed in The Netherlands

537021/1200/02/pp16

Date of release: 1996 Nov 20

Document order number: 9397 750 01506

Let's make things better.

**Philips
Semiconductors**



PHILIPS