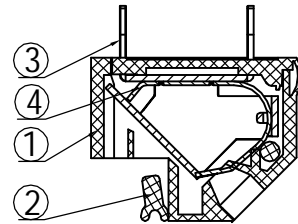
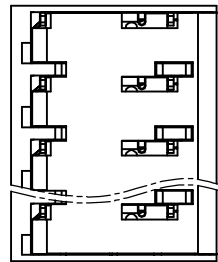
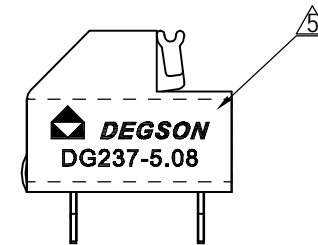
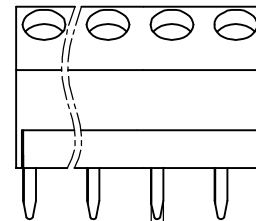
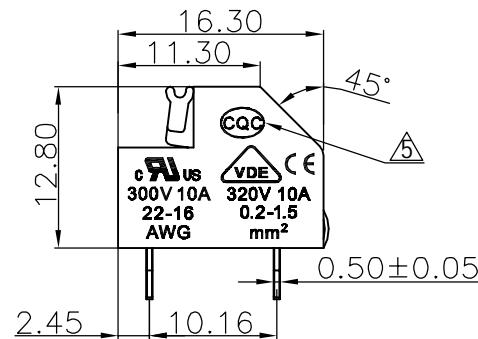
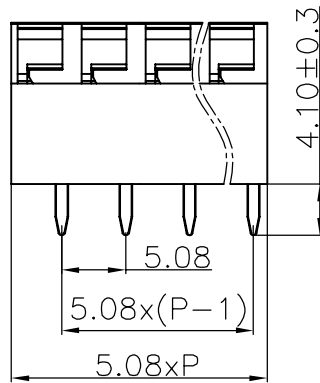
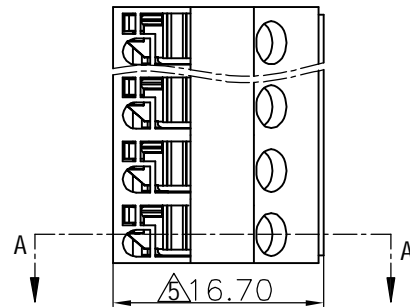


REVISION RECORD				
REV	ECO	DESCRIPTION	DRPT	DATE
△		修改刻字及整理图面	Ye j	09/06/06*
△		修改刻字	LJH	12/01/08*
△		修改刻字	LJH	12/08/08*
△		增加CQC标志	Ye j	02/10/09*
△		整体老模新开结构及刻字变更	HXG	07/25/09*



SECTION A-A



Notes:

- Pitch: 5.08mm , Poles: 2-7P
- Rated voltage/current: UL 300V/10A  
VDE 320V/10A
- Operation temperatures: -40°C ~ +105°C
- Withstanding Voltage: AC2000V/1Min
- Insulation Resistance: 5000MΩ / DC1000V
- Wire Range: 22~16AWG, 0.2~1.5mm<sup>2</sup>
- Undimensioned Tolerances:

Pitch range in mm		Nominal dimension range in mm					
to	over	over	over	over	over		
6	6 to 10	10 to 24	30 to 60	60 to 100	100 to 150	150	
±0.10	±0.15	±0.25	±0.2	±0.3	±0.5	±0.7	±1.0
							0.05/10

4	DG237-5.08-Shrapnel	X00000890 (H)	XX	Stainless steel	
3	DG237-5.08-Pin header	3010B00010 (H)	XX	Brass	SnCe
2	DG237-5.08-Batton	3010D0501A (H)	XX	PA66	UL94V-0
1	DG237-5.08-Housing	3010A0YXXA (H)	1	PA66	UL94V-0
ITEM	NAME OF PART	NO. OF PART	Q'TY	MATERIAL	NOTES

MM (INCH)	DATE 08/09/06*	宁波高正电子有限公司 DEGSON ELECTRONICS CO., LTD	
DATE	DATE		
TOLERANCES EXCEPT AS NOTED		NAME	
MM	DATE	DG237-5.08-XXP-1Y-00A (H)	
.0 ±	±	DRAWING NO. DG237-5.08-E01	
.00 ±	±	/PART NO.	
.000 ±	±	DO NOT SCALE DRAWING	
ANGLES ± 1°		SHEET 1 OF 1	
THIRD ANGLE PROJECTION		SIZE A3	
SCALE: 1:1		REV T5 01/25/09*	