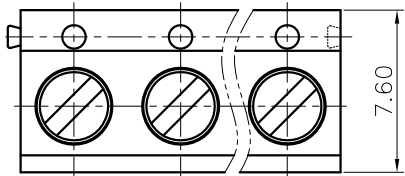


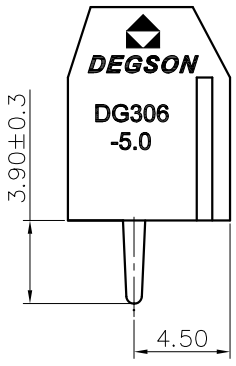
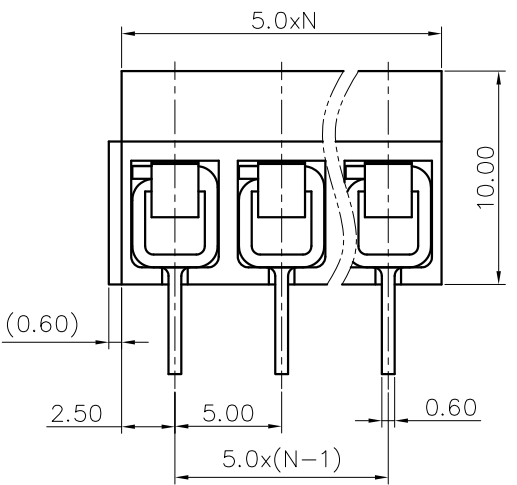
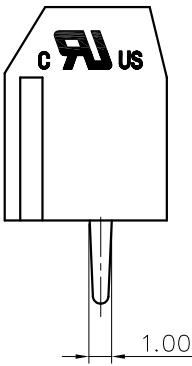
| REVISION RECORD | | | | |
|-----------------|-----|-------------|------|------|
| REV | ECN | DESCRIPTION | DRFT | DATE |



NOTES1:
 UL Standard
 1.Rated Voltage/Current : 300V / 10A
 2.Torque Value : M2.5 , 2.60Lb.in
 3.Wire Range : 22~14AWG
 IEC Standard
 1.Rated Voltage/Current : 250V / 15A
 2.Torque Value : M2.5 , 0.29N.m
 3.Wire Range : 0.75~1.5mm²

H
G
F
E
D
C
B
A

H
G
F
E
D
C
B
A

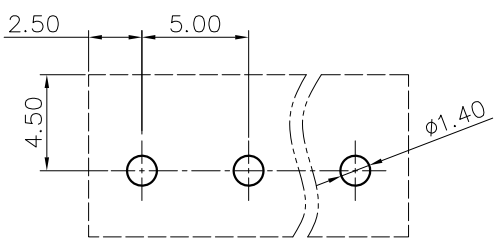


NOTES2:
 1.Dimension shall be interpreted per ASME Y14.5-2009
 2.Pitch : 5.0mm, Poles : N=02~24P
 3.Stripping length : 5~6mm
 4.Withstanding Voltage : AC2000V/1Min.
 5.Operating temperature: -30°C~+120°C
 6.Undimensioned Tolerances:

| Pitch Range In mm | | Nominal Dimension Range In mm | | | | | |
|-------------------|---------|-------------------------------|---------|-----|---------|--------|---------|
| TO | Over TO | TO | Over TO | TO | Over TO | TO | Over TO |
| 6 | 10 | 30 | 60 | 100 | 150 | 0.1/10 | |
| 6 | 24 | 30 | 60 | 100 | 150 | < | |
| | | | | | | ±0.15 | ±2* |

7.RoHS Compliance

DG306 - 5.0 - XXP - 1Y - 00A (H)
 (Series No.) (Pitch) (Poles) (Single Pitch) (Color):1.(Grey)
 2.(Blue)
 3.(Black)
 4.(Green)
 5.(Orange)
 6.(Red)
 7.(Transparent)
 8.(Yellow)
 9.(White)



PCB LAYOUT

| | | | | | |
|------------------------|-----------|-----------------------------------|----------------------|-----------|-----------|
| DETACHED LISTS | PART NO.: | NINGBO DEGSON ELECTRICAL CO., LTD | | | |
| | APPD: | NAME: DG306-5.0-XXP-1Y-00A(H) | | | |
| | CHKD: | TITLE: CUSTOMER DRAWING | | | |
| | DRFT: | DRAWING NO.: | | REV | DO |
| THIRD ANGLE PROJECTION | | MM (INCH) | DO NOT SCALE DRAWING | SHEET 1/1 | SCALE 1:1 |