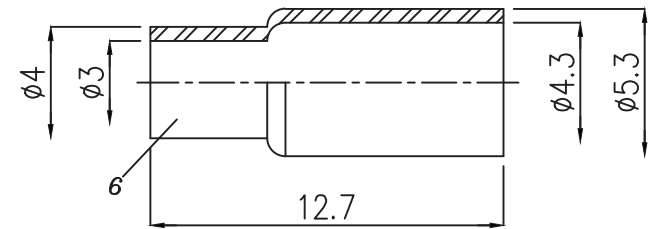
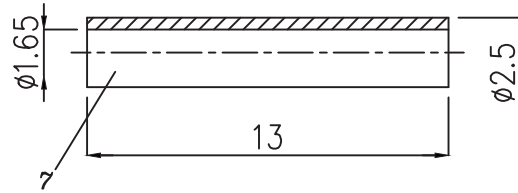
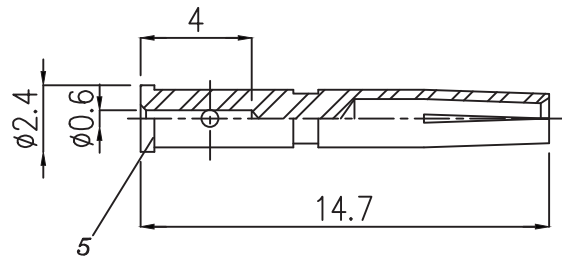
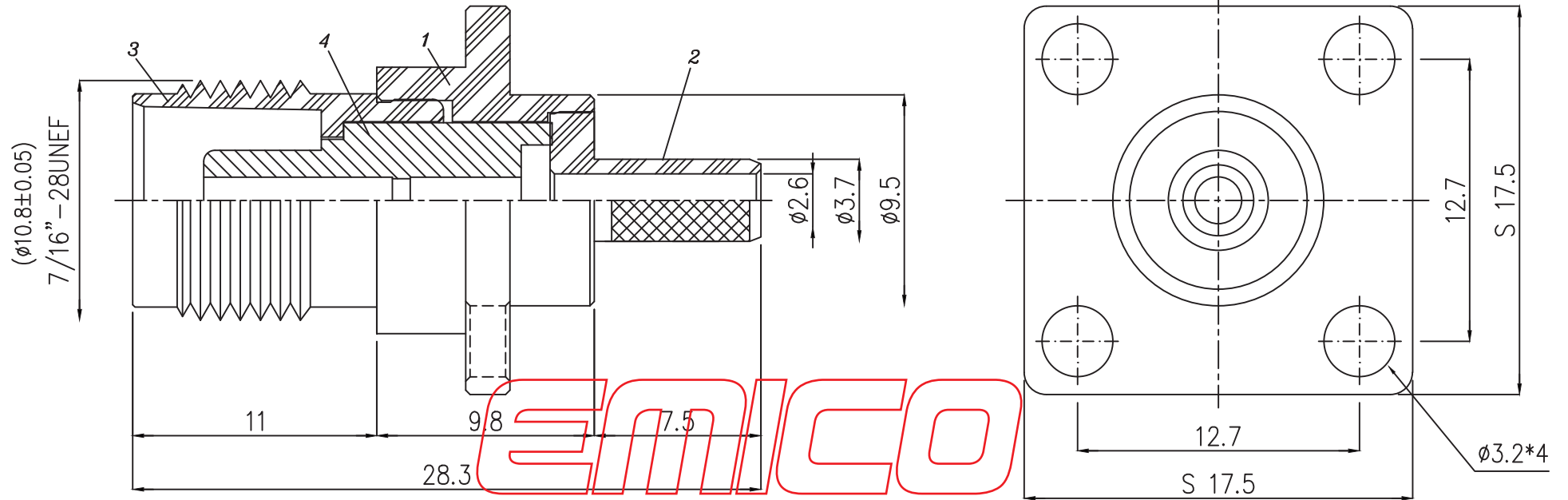


REMARK: RoHS COMPLIANT



MATERIAL / FINISH
 1,2,3. BODY: BRASS / NICKEL
 4. INSULATOR: POM

5. CONTACT: BRASS / GOLD
 6. FERRULE: BRASS / NICKEL
 7. REDUCER: POM

THIRD ANGLE	UNIT	DATE	TITLE: TNC Female Panel Crimp for RG174
	MM	2004/12/8	
DRAWING BY	APPROVED BY	VERSION	DRAWING NO. EM-TC013-RG174-NGD
LEE	H	A	

EMICO® **CONNECT YOUR LIFE**
 TEL: +886-3-3117527; +886-3-3119828
 FAX: +886-3-2225330
 E-mail: emico.tw@msa.hinet.net
 Website: www.emico-tw.com.tw

EMICO INDUSTRY CORPORATION