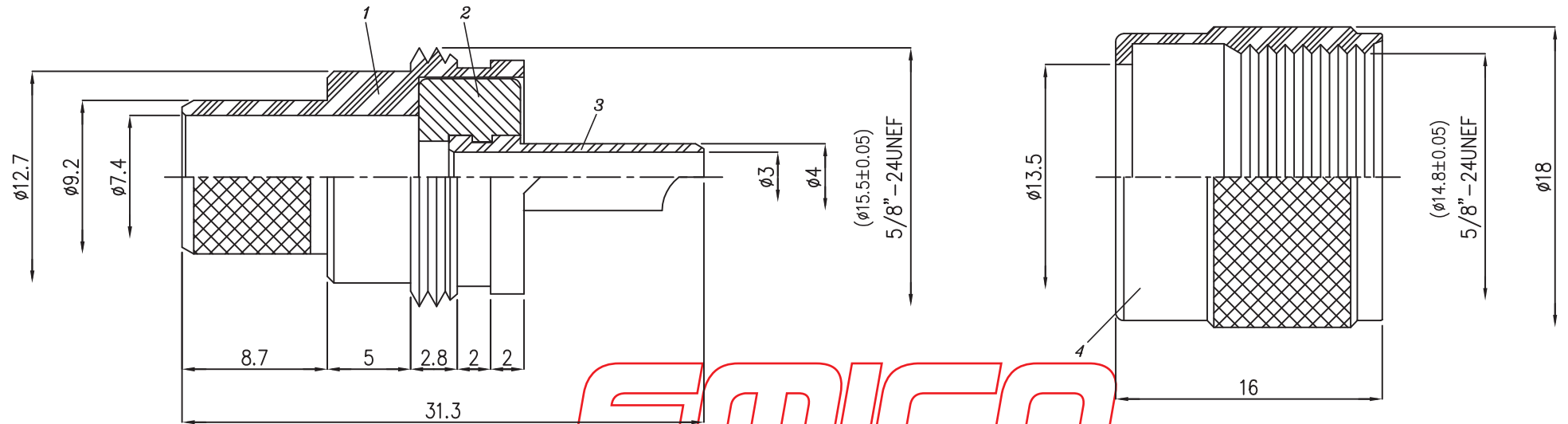
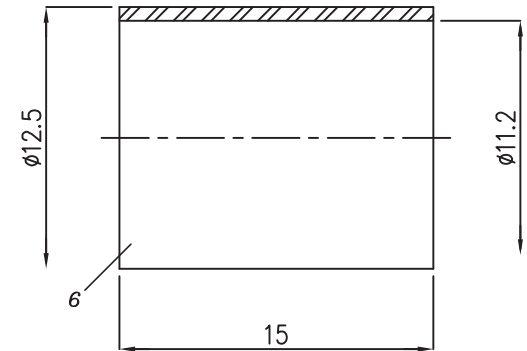
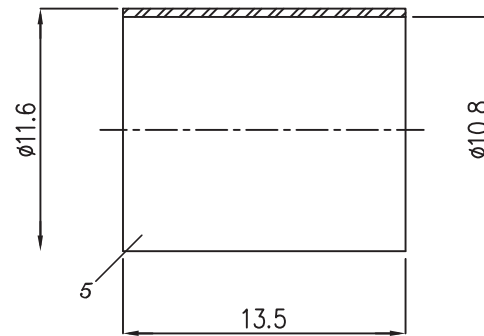
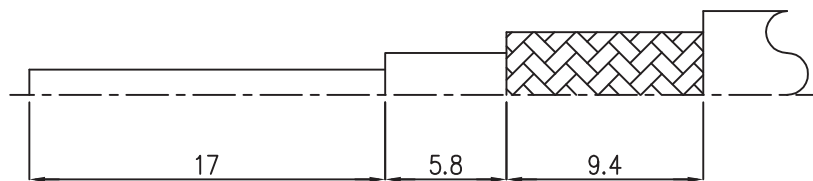


REMARK: RoHS COMPLIANT



EMICO



MATERIAL / FINISH

- 1. BODY: BRASS / NICKEL
- 2. INSULATION: BAKELITE
- 3. CONTACT: BRASS / GOLD
- 4. SHELL: BRASS / NICKEL
- 5. FERRULE: BRASS / NICKEL
- 6. FERRULE: BRASS / NICKEL

THIRD ANGLE	UNIT	DATE	TITLE: UHF Male Crimp for RG-213, Nickel w/RG-213&RG214 Ferrule
	MM	2016/6/27	
DRAWING BY	APPROVED BY	VERSION	DRAWING NO. EM-UC001A-RG213-NGB
LEE	H	A	

EMICO® **CONNECT YOUR LIFE**

TEL: +886-3-3117527; +886-3-3119828
 FAX: +886-3-2225330
 E-mail: emico.tw@msa.hinet.net
 Website: www.emico-tw.com.tw

EMICO INDUSTRY CORPORATION