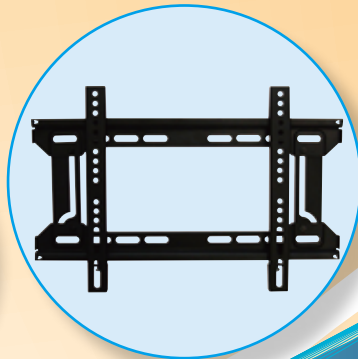




GLOBALTONE ELECTRONICS



Introduction














Changzhou GlobalTone Int'l Trade Co., Ltd. / GlobalTone Electronics, is a specialized manufacturer and exporter of a wide range of electronic products such as HDMI adaptor & cable, SMD & DIP buzzer, Oscilloscope Probe, TV/LCD Plasma Bracket, LED lamps, AV connectors, antennas, AC/DC fan, lead-acid batteries, etc.

Our products are exported to world market. Our principle is to make mutual benefits with long term cooperation. In order to satisfy your requirement, we will make great efforts to develop new products and improve our service.

Welcome to GlobalTone! We always bring you the best possible service.

To become our business partners, please contact us now!

Contents

	HDMI ADAPTOR.....1		
	USB ADAPTOR.....7		LCD / PLASMA BRACKETS.....27
	VGA ADAPTOR.....8		LIGHT STAND & ACCESSORY.....55
	HDMI CABLE.....9		BUZZER.....56
	MINI XLR CONNECTORS.....11		SMD BUZZER.....69
	BATTERY HOLDER SERIES.....12		TEST WIRE.....77
	TIMER.....19		OSCILLOSCOPE PROBE.....80

HDMI ADAPTOR

GT3-1001

HDMI A female to
HDMI micro male
adaptor
G:gold
N:nickle



GT3-1007

HDMI A female to
HDMI A female
adaptor
G:gold
N:nickle



GT3-1013

HDMI A female to HDMI
A female adaptor,
rotating 270°
G:gold
N:nickle



GT3-1002

HDMI A female to
HDMI mini male
adaptor
G:gold
N:nickle



GT3-1008

HDMI A female to
HDMI A female
adaptor
G:gold
N:nickle



GT3-1014

HDMI A male to
HDMI A female
adaptor
G:gold
N:nickle



GT3-1003

HDMI A female to
HDMI mini male
adaptor
G:gold
N:nickle



GT3-1009

HDMI A female to
HDMI A female
adaptor,
90° angle type
G:gold
N:nickle



GT3-1015

HDMI A male to
HDMI A female
adaptor
G:gold
N:nickle



GT3-1004

HDMI mini female to
HDMI A male
adaptor
G:gold
N:nickle



GT3-1010

HDMI A female to
HDMI A female
adaptor,
90° angle type
G:gold
N:nickle



GT3-1016

HDMI A female to
HDMI A male
adaptor,
90° angle type
G:gold
N:nickle



GT3-1005

HDMI A female to
HDMI A female
adaptor
G:gold
N:nickle



GT3-1011

HDMI A female to
HDMI A female
panel adaptor
G:gold
N:nickle



GT3-1017

HDMI A male to
HDMI A female
adaptor,
rotating 270°
G:gold
N:nickle



GT3-1006

HDMI A female to
HDMI A female
adaptor
G:gold
N:nickle



GT3-1012

HDMI A female to
HDMI A female
panel adaptor,
90° angle type
G:gold
N:nickle



GT3-1018

HDMI A male to
HDMI A female
adaptor,
swing type
G:gold
N:nickle



HDMI ADAPTOR

GT3-1019

HDMI A male to HDMI A female adaptor, 90° angle type
G:gold
N:nickle



GT3-1026

DVI(24+5) female to HDMI A male adaptor
G:gold
N:nickle



GT3-1031

DVI(18+1) male to HDMI A female adaptor, rotating 270°
G:gold
N:nickle



GT3-1020

HDMI A male to HDMI A female adaptor, 90° angle type
G:gold
N:nickle



GT3-1027

DVI(24+5) female to HDMI A male adaptor
G:gold
N:nickle



GT3-1032

DVI(18+1) male to HDMI A male adaptor, rotating 270°
G:gold
N:nickle



GT3-1021

HDMI A male to HDMI A male adaptor
G:gold
N:nickle



GT3-1028

DVI(18+1) male to HDMI A female adaptor
G:gold
N:nickle



GT3-1033

DVI(24+1) male to HDMI A male adaptor, rotating 270°
G:gold
N:nickle



GT3-1023

DVI(18+1) male to HDMI A female adaptor
G:gold
N:nickle



GT3-1028A

DVI(24+1) male to HDMI A male adaptor
G:gold
N:nickle



GT3-1034

DVI(24+5) female to DVI(24+5) female adaptor
G:gold
N:nickle



GT3-1024

DVI(18+1) male to HDMI A female adaptor
G:gold
N:nickle



GT3-1029

DVI(24+5) female to HDMI A female adaptor
G:gold
N:nickle



GT3-1035

DVI(24+5) male to DVI(24+5) female adaptor
G:gold
N:nickle



GT3-1025

DVI(24+1) male to HDMI A female adaptor
G:gold
N:nickle



GT3-1030

DVI(24+1) male to HDMI A female adaptor, rotating 270°
G:gold
N:nickle



GT3-1036

DVI(24+5) female to DVI(24+1) male adaptor
G:gold
N:nickle



HDMI ADAPTOR

GT3-1037

DVI(24+5) male to
DVI(24+5) male adaptor
G:gold
N:nickle



GT3-1043

DVI(24+5) female
to VGA female
adaptor
G:gold
N:nickle



GT3-1049

DVI(24+5) male
to VGA female
adaptor
G:gold
N:nickle



GT3-1038

DVI(12+5) male to
3RCA female
adaptor
G:gold
N:nickle



GT3-1044

DVI(24+5) female
to VGA male
adaptor
G:gold
N:nickle



GT3-1052

DVI(18+5) male
shell
G:gold
N:nickle



GT3-1039

DVI(18+5) male to
3RCA female
adaptor
G:gold
N:nickle



GT3-1045

VGA female
to VGA female
adaptor
G:gold
N:nickle



GT3-1053

DVI(24+1) male
shell
G:gold
N:nickle



GT3-1040

DVI(24+5) male to
VGA male
adaptor
G:gold
N:nickle



GT3-1046

VGA male
to VGA female
adaptor
G:gold
N:nickle



GT3-1054

DVI(24+5) male
shell
G:gold
N:nickle



GT3-1041

DVI(24+5) male
to VGA female
adaptor
G:gold
N:nickle



GT3-1047

VGA male
to VGA male
adaptor
G:gold
N:nickle



GT3-1055

1394 4P female
to 6P male
adaptor
G:gold
N:nickle



GT3-1042

DVI(12+5) male
to VGA female
adaptor
G:gold
N:nickle



GT3-1048

DVI(24+5) female
to VGA male
adaptor
G:gold
N:nickle



GT3-1056

1394 4P male
to 6P female
adaptor
G:gold
N:nickle



HDMI ADAPTOR

GT3-1057

1394 4P male
to 6P male
adaptor
G:gold
N:nickle



GT3-1064

USB 2.0 A female
to A female
adaptor
G:gold
N:nickle



GT3-1070

USB 2.0 A female
to B male
adaptor
G:gold
N:nickle



GT3-1058

1394 4P female
to 6P female
adaptor
G:gold
N:nickle



GT3-1065

USB 2.0 A male
to A male
adaptor
G:gold
N:nickle



GT3-1071

VGA male to
2 VGA female
cable
G:gold
N:nickle



GT3-1059

USB 3.0 A female
to A female
adaptor
G:gold
N:nickle



GT3-1066

USB 2.0 A male to
mini 5Pin male
adaptor
G:gold
N:nickle



GT3-1076

HDMI A male to
2 HDMI A female
cable
G:gold
N:nickle



GT3-1060

USB 3.0 A male
to A male
adaptor
G:gold
N:nickle



GT3-1067

USB 2.0 A female to mini
5Pin male
adaptor
G:gold
N:nickle



GT3-1081

HDMI *1 panel 180°
HDMI A female to
HDMI A female
American-style



GT3-1061

USB 3.0 A male
to A female
adaptor
G:gold
N:nickle



GT3-1068

USB 2.0 A female to Micro
5Pin male
adaptor
G:gold
N:nickle



GT3-1082

HDMI *2 panel 180°
HDMI A female to
HDMI A female
American-style



GT3-1062

USB 3.0 A male
to A female
adaptor,
90° angle type
G:gold
N:nickle



GT3-1069

USB 2.0 A male
to B male
adaptor
G:gold
N:nickle



GT3-1083

HDMI+F+2RCA
panel 180°
American-style



HDMI ADAPTOR

GT3-1084

HDMI +3RCA
panel 180°
American-style



GT3-1090

HDMI switch box
• 4 input to 1 output
• Support 720P,
1080i,1080P



GT3-1106

HDMI A male to
HDMI A female
adaptor,
rotating 360°
G:gold
N:nickle
Shell:Black



GT3-1085

HDMI switch box
• 2 input to 1 output
• Support 720P,
1080i,1080P



GT3-1101

Micro HDMI male to HDMI A
female adaptor,swing type
G:gold
N:nickle
Shell:Black



GT3-1107

HDMI A female to
HDMI A female
adaptor,
swing type
G:gold
N:nickle
Shell:Black



GT3-1086

HDMI switch box
• 3 input to 1 output
• Support 720P,
1080i,1080P



GT3-1102

Micro HDMI male to HDMI A
female adaptor,
rotating 360°
G:gold
N:nickle
Shell:Black



GT3-1108

HDMI A female to
HDMI A female
adaptor,
rotating 360°
G:gold
N:nickle
Shell:Black



GT3-1087

HDMI switch box
• 4 input to 1 output
• Support 720P,
1080i,1080P



GT3-1103

Mini HDMI male to
HDMI A female
adaptor,swing type
G:gold
N:nickle
Shell:Black



GT3-1109

HDMI A male to
HDMI A female
adaptor,
swing type
G:gold
N:nickle
Shell:Black



GT3-1088

HDMI switch box
• 2 input to 1 output
• Support 720P,
1080i,1080P



GT3-1104

Mini HDMI male to
HDMI A female
adaptor,
rotating 360°
G:gold
N:nickle
Shell:Black



GT3-1110

HDMI A male to
HDMI A male
adaptor,
swing type
G:gold
N:nickle
Shell:Black



GT3-1089

HDMI switch box
• 3 input to 1 output
• Support 720P,
1080i,1080P



GT3-1105

HDMI A male to
HDMI mini female
adaptor,swing type
G:gold
N:nickle
Shell:Black



GT3-11P01

HDMI A female to
HDMI micro male
adaptor
G:gold
N:nickle



HDMI ADAPTOR

GT3-11P01A

HDMI micro male to HDMI A female adaptor, 90° angle type
G:gold
N:nickle



GT3-12P01

HDMI micro male to HDMI micro female adaptor,
G:gold
N:nickle



GT3-12P19A

HDMI A male to HDMI A female adaptor, 270° angle type
G:gold
N:nickle



GT3-11P19B

HDMI A male to HDMI A female adaptor, 90° angle type
G:gold
N:nickle



GT3-12P01A

HDMI micro male to HDMI A female adaptor, 90° angle type
G:gold
N:nickle



GT3-12P20

HDMI A male to HDMI A female adaptor, 90° angle type
G:gold
N:nickle



GT3-1201

HDMI micro male to HDMI A male adaptor, swing type
G:gold
N:nickle



GT3-12P02

HDMI micro female to HDMI A male adaptor,
G:gold
N:nickle



GT3-1301-1

Micro HDMI male to HDMI A female adaptor, swing type
G:gold
N:nickle
Shell:Black



GT3-1202

HDMI mini female to HDMI A female adaptor, swing type
G:gold
N:nickle



GT3-12P03

HDMI micro male to HDMI mini female adaptor,
G:gold
N:nickle



GT3-1301-2

Micro HDMI male to HDMI A female adaptor, swing type
G:gold
N:nickle
Shell:Red



GT3-1203

HDMI mini male to HDMI A male adaptor, swing type
G:gold
N:nickle



GT3-12P06

HDMI A female to HDMI A female adaptor
G:gold
N:nickle



GT3-1301-3

Micro HDMI male to HDMI A female adaptor, swing type
G:gold
N:nickle
Shell:Red



GT3-1254

DVI (24+5) male to HDMI A Female + 3RCA female cable
G:gold
N:nickle



GT3-12P07

HDMI mini male to HDMI micro female adaptor,
G:gold
N:nickle



GT3-1301-4

Micro HDMI male to HDMI A female adaptor, swing type
G:gold
N:nickle
Shell:Green



HDMI / USB ADAPTOR

GT3-1301-5

Micro HDMI male to HDMI A female adaptor, swing type
G:gold
N:nickle
Shell:Green



GT3-1303-2

Mini HDMI male to HDMI A female adaptor, swing type
G:gold
N:nickle
Shell:Red



GT3-1309-8

HDMI A male to HDMI A female adaptor, swing type
G:gold
N:nickle
Shell:Green+Purple



GT3-1301-6

Micro HDMI male to HDMI A female adaptor, swing type
G:gold
N:nickle
Shell:Purple



GT3-1304-3

Mini HDMI male to HDMI A female adaptor, rotating 360°
G:gold
N:nickle
Shell:Red



GT3-1310-9

HDMI A male to HDMI A male adaptor, swing type
G:gold
N:nickle
Shell:Red+Purple



GT3-1301-7

Micro HDMI male to HDMI A female adaptor, swing type
G:gold
N:nickle
Shell:Purple



GT3-1305-4

HDMI A male to HDMI mini female adaptor, swing type
G:gold
N:nickle
Shell:Green



GT3-1301

USB 3.0 A male to B male adaptor
G:gold
N:nickle



GT3-1301-8

Micro HDMI male to HDMI A female adaptor, swing type
G:gold
N:nickle
Shell:Purple+Red



GT3-1306-5

HDMI A male to HDMI A female adaptor, rotating 360°
G:gold
N:nickle
Shell:Green



GT3-1302

USB 3.0 A female to B male adaptor
G:gold
N:nickle



GT3-1301-9

Micro HDMI male to HDMI A female adaptor, swing type
G:gold
N:nickle
Shell:Purple+Red



GT3-1307-6

HDMI A female to HDMI A female adaptor, swing type
G:gold
N:nickle
Shell:Purple



GT3-1303

USB 3.0 A female to Micro male adaptor
G:gold
N:nickle



GT3-1302-1

Micro HDMI male to HDMI A female adaptor, rotating 360°
G:gold
N:nickle
Shell:Black



GT3-1308-7

HDMI A female to HDMI A female adaptor, rotating 360°
G:gold
N:nickle
Shell:Purple



GT3-1304

USB 3.0 A female to HP mini 10 pin male adaptor
G:gold
N:nickle



USB / VGA ADAPTOR

GT3-1305

USB 3.0 A male
to Micro male
adaptor
G:gold
N:nickle



GT3-1311

USB 3.0 B male
to Micro male
adaptor
G:gold
N:nickle



GT3-1347A

VGA male
to VGA male
adaptor
G:gold
N:nickle



GT3-1306

USB 3.0 A male to
HP mini 10 pin male
adaptor
G:gold
N:nickle



GT3-1312

USB 3.0 Micro male to
Micro male
adaptor
G:gold
N:nickle



GT3-1391

DB 9Pin male to
DB 9Pin male
adaptor
G:gold
N:nickle



GT3-1307

USB 3.0 B female
to B female
adaptor
G:gold
N:nickle



GT3-1313

USB 2.0 A female
to A male
adaptor
G:gold
N:nickle



GT3-1391A

DB 9Pin male to
DB 9Pin male
adaptor
G:gold
N:nickle



GT3-1308

USB 3.0 B female
to A male
adaptor
G:gold
N:nickle



GT3-1342

DVI(18+5) male
to VGA female
adaptor
G:gold
N:nickle



GT3-1392

DB 9Pin male to
DB 9Pin female
adaptor
G:gold
N:nickle



GT3-1309

USB 3.0 B female
to Micro male
adaptor
G:gold
N:nickle



GT3-1345

VGA female
to VGA female
adaptor
G:gold
N:nickle



GT3-1392A

DB 9Pin male to
DB 9Pin female
adaptor
G:gold
N:nickle



GT3-1310

USB 3.0 B female to
HP mini 10 pin male
adaptor
G:gold
N:nickle



GT3-1346A

VGA male
to VGA female
adaptor
G:gold
N:nickle



GT3-1393

DB 9Pin female to
DB 9Pin female
adaptor
G:gold
N:nickle



VGA ADAPTOR & HDMI CABLE

GT3-1393A

DB 9Pin female to DB 9Pin female adaptor
G:gold
N:nickle



GT3-13P02A

HDMI A female to HDMI mini male adaptor
270° angle type
G:gold
N:nickle



GT3-12X04

Micro HDMI male(rotating 360°) to Mini HDMI male(swing type) cable
G:gold
N:nickle



GT3-1394

DB 25Pin male to DB 25Pin male adaptor
G:gold
N:nickle



GT3-13P19C

HDMI A male to HDMI A female adaptor,
90° angle type
G:gold
N:nickle



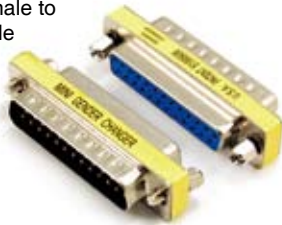
GT3-12X05

Micro HDMI male(rotating 360°) to HDMI male(rotating 360°) cable
G:gold
N:nickle



GT3-1395

DB 25Pin female to DB 25Pin male adaptor
G:gold
N:nickle



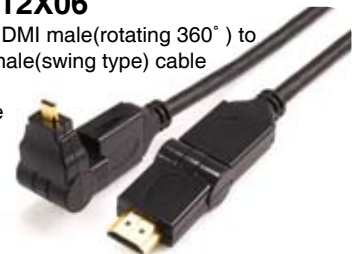
GT3-13P20A

HDMI A male to HDMI A female adaptor,
270° angle type
G:gold
N:nickle



GT3-12X06

Micro HDMI male(rotating 360°) to HDMI male(swing type) cable
G:gold
N:nickle



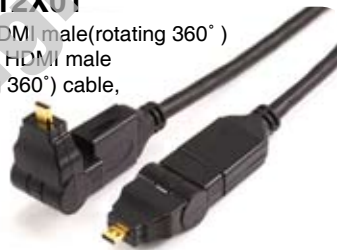
GT3-1396

DB 25Pin female to DB 25Pin female adaptor
G:gold
N:nickle



GT3-12X01

Micro HDMI male(rotating 360°) to Micro HDMI male (rotating 360°) cable,
G:gold
N:nickle



GT3-12X07

Micro HDMI male(rotating 360°) to HDMI female(rotating 360°) cable
G:gold
N:nickle



GT3-13P01

HDMI A female to HDMI mini male +Micro male adaptor,
G:gold
N:nickle



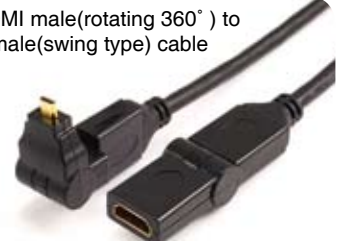
GT3-12X02

Micro HDMI male(rotating 360°) to Micro HDMI male (swing type) cable
G:gold
N:nickle



GT3-12X08

Micro HDMI male(rotating 360°) to HDMI female(swing type) cable
G:gold
N:nickle



GT3-13P02

HDMI A female to HDMI mini male adaptor
G:gold
N:nickle



GT3-12X03

Micro HDMI male(rotating 360°) to Mini HDMI male(rotating 360°) cable,
G:gold
N:nickle



GT3-12X09

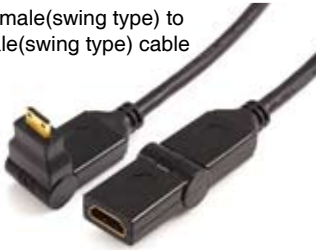
Micro HDMI male(rotating 360°) to HDMI male cable
G:gold
N:nickle



HDMI CABLE

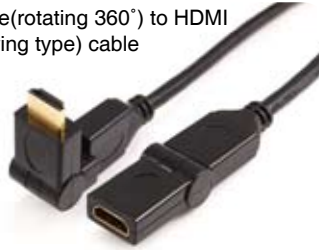
GT3-12X32

Mini HDMI male (swing type) to HDMI female (swing type) cable
G:gold
N:nickle



GT3-12X38

HDMI male (rotating 360°) to HDMI female (swing type) cable
G:gold
N:nickle



GT3-12X44

HDMI male (swing type) to HDMI female cable
G:gold
N:nickle



GT3-12X33

Mini HDMI male (swing type) to HDMI male cable
G:gold
N:nickle



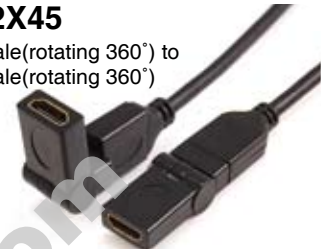
GT3-12X39

HDMI male (rotating 360°) to HDMI male cable
G:gold
N:nickle



GT3-12X45

HDMI female (rotating 360°) to HDMI female (rotating 360°) cable
G:gold
N:nickle



GT3-12X34

Mini HDMI male (swing type) to HDMI female cable
G:gold
N:nickle



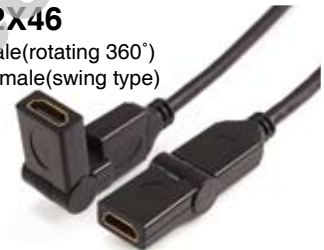
GT3-12X40

HDMI male (rotating 360°) to HDMI female cable
G:gold
N:nickle



GT3-12X46

HDMI female (rotating 360°) to HDMI female (swing type) cable
G:gold
N:nickle



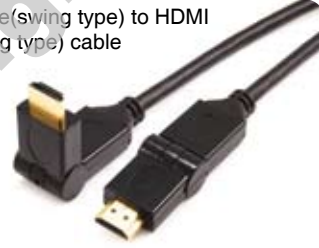
GT3-12X35

HDMI male (rotating 360°) to HDMI male (rotating 360°) cable
G:gold
N:nickle



GT3-12X41

HDMI male (swing type) to HDMI male (swing type) cable
G:gold
N:nickle



GT3-12X47

HDMI female (rotating 360°) to HDMI male cable
G:gold
N:nickle



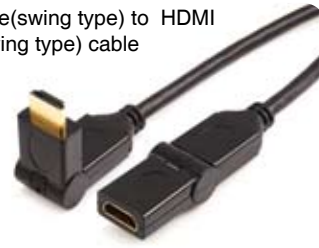
GT3-12X36

HDMI male (rotating 360°) to HDMI male (swing type) cable
G:gold
N:nickle



GT3-12X42

HDMI male (swing type) to HDMI female (swing type) cable
G:gold
N:nickle



GT3-12X48

HDMI female (rotating 360°) to HDMI female cable
G:gold
N:nickle



GT3-12X49

HDMI female (swing type) to HDMI male cable
G:gold
N:nickle



GT3-12X37

HDMI male (rotating 360°) to HDMI female (rotating 360°) cable
G:gold
N:nickle



GT3-12X43

HDMI male (swing type) to HDMI male cable
G:gold
N:nickle



GT3-12X50

HDMI female (swing type) to HDMI female cable
G:gold
N:nickle

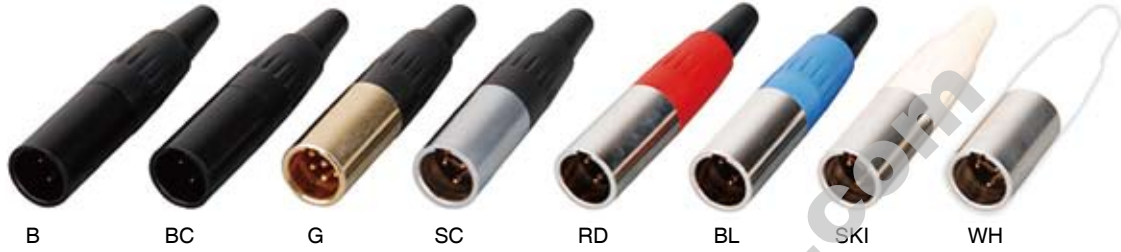


MINI XLR CONNECTORS

GT3-1401
3P-6P



GT3-1402
3P-6P



GT3-1403
3P-6P



GT3-1405
3P-6P



GT3-1404
3P-6P



GT3-1406
3P-6P



GT3-1407
3P-6P



GT3-1415
3P-6P



GT3-1417
3P-6P



GT3-1408
3P-6P



GT3-1416
3P-6P



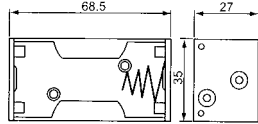
GT3-1418
3P-6P



BATTERY HOLDER SERIES

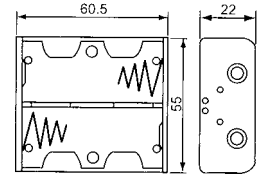
GT3-1801

1xD battery holder(UM-1X1)
Type:A.B



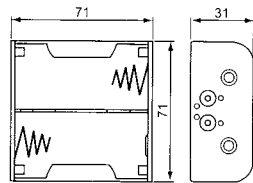
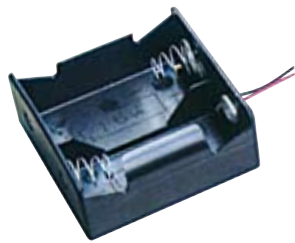
GT3-1806

2xC battery holder(UM-2X2)
Type:A.B.C



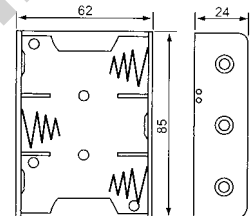
GT3-1802

2xD battery holder(UM-1X2)
Type:A.B.C



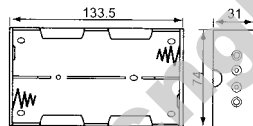
GT3-1807

3xC battery holder(UM-2X3)
Type:A.B.C



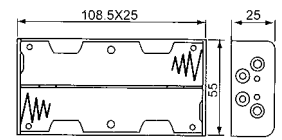
GT3-1803

4xD battery holder(UM-1X4)
Type:A.B.C



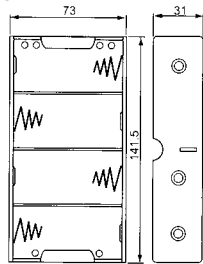
GT3-1808

4xC battery holder(UM-2X4)
Type:A.B.C



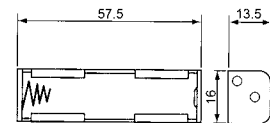
GT3-1804

4xD battery holder(UM-1X4)
Type:A.B



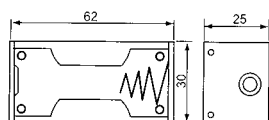
GT3-1809

1xAA battery holder(UM-3X1)
Type:A.B.D



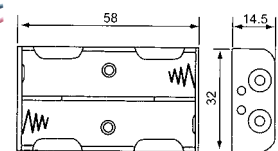
GT3-1805

1xC battery holder(UM-2X1)
Type:A.B



GT3-1810

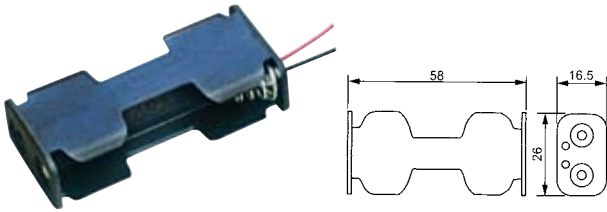
2xAA battery holder(UM-3X2)
Type:A.B.C



BATTERY HOLDER SERIES

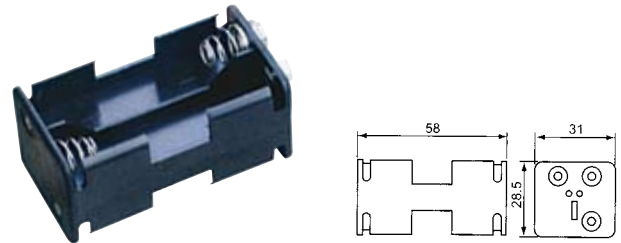
GT3-1811

2xAA battery holder(UM-3X2)
Type:A.B.C



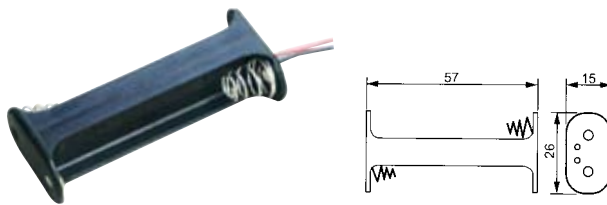
GT3-1816

4xAA battery holder(UM-3X4)
Type:A.B.C



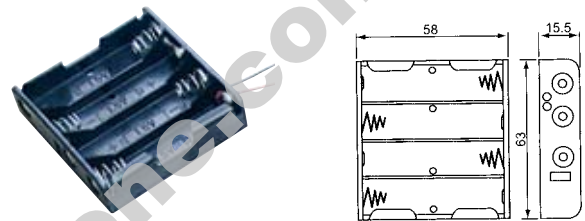
GT3-1812

2xAA battery holder(UM-3X2)
Type:A.B.C



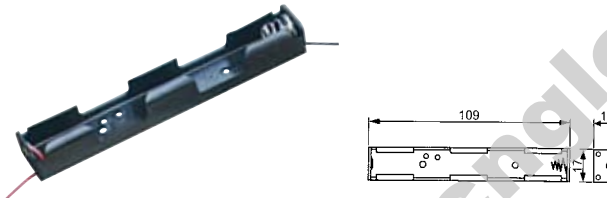
GT3-1817

4xAA battery holder(UM-3X4)
Type:A.B.C



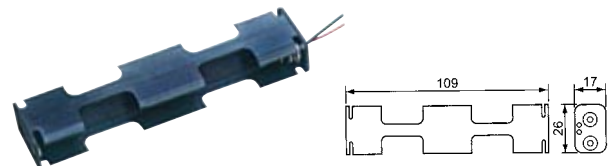
GT3-1813

2xAA battery holder(UM-3X2)
Type:A.B



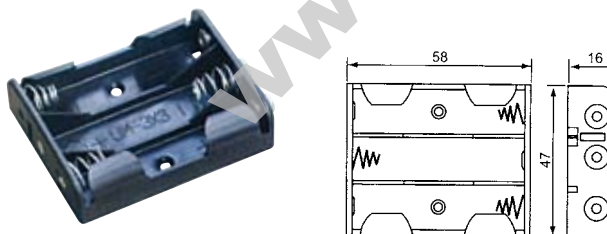
GT3-1818

4xAA battery holder(UM-3X4)
Type:A.B.C



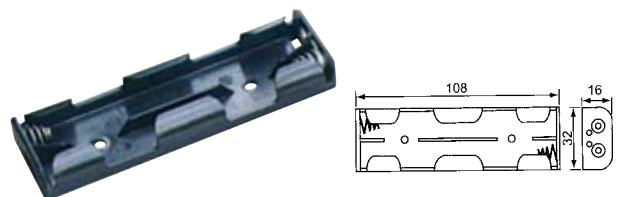
GT3-1814

3xAA battery holder(UM-3X3)
Type:A.B.C



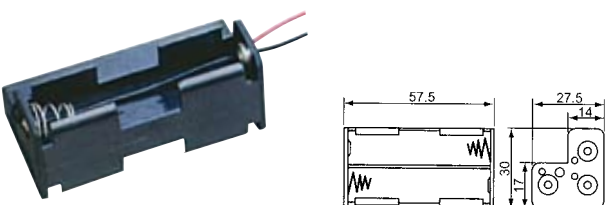
GT3-1819

4xAA battery holder(UM-3X4)
Type:A.B.C



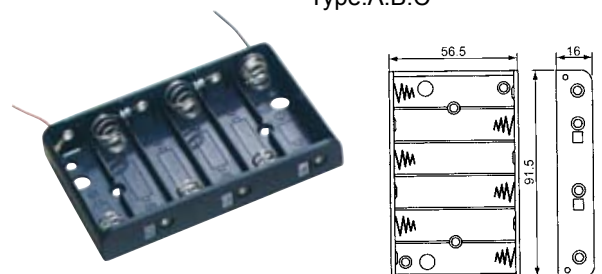
GT3-1815

3xAA battery holder(UM-3X3)
Type:A.B.C



GT3-1820

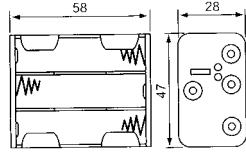
6xAA battery holder(UM-3X6)
Type:A.B.C



BATTERY HOLDER SERIES

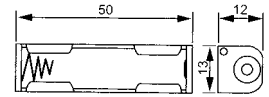
GT3-1821

6xAA battery holder(UM-3X6)
Type:A.B.C



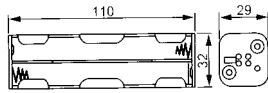
GT3-1826

1xAAA battery holder(UM-4X1)
Type:A.B.D



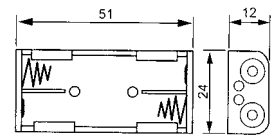
GT3-1822

8xAA battery holder(UM-3X8)
Type:A.B.C



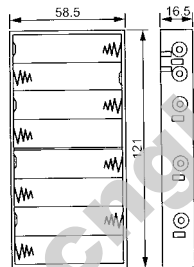
GT3-1827

2xAAA battery holder(UM-4X2)
Type:A.B



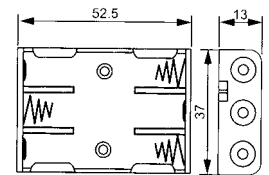
GT3-1823

8xAA battery holder(UM-3X8)
Type:A.B.C



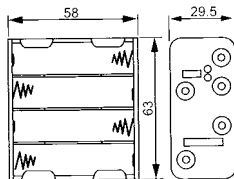
GT3-1828

3xAAA battery holder(UM-4X3)
Type:A.B.C



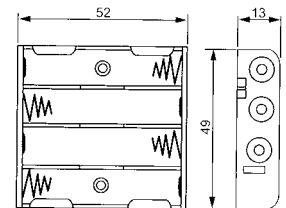
GT3-1824

8xAA battery holder(UM-3X8)
Type:A.B.C



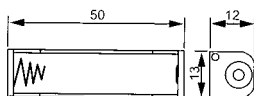
GT3-1829

4xAAA battery holder(UM-4X4)
Type:A.B.C



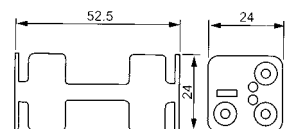
GT3-1825

1xAAA battery holder(UM-4X1)
Type:A.B.D



GT3-1830

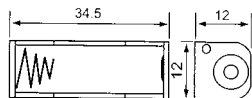
4xAAA battery holder(UM-4X4)
Type:A.B



BATTERY HOLDER SERIES

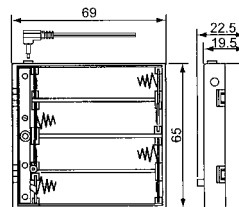
GT3-1831

1xN battery holder(UM-5X1)
Type:A,B



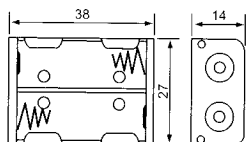
GT3-1836

4xAA battery holder(UM-3X4)



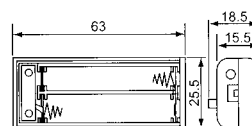
GT3-1832

2xN battery holder(UM-5X2)
Type:A,B



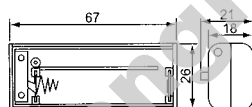
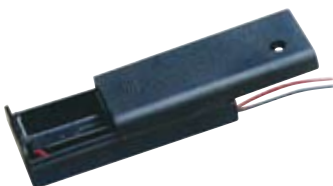
GT3-1837

2xAAA battery holder(UM-4X2)



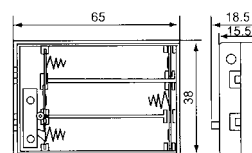
GT3-1833

1xAA battery holder(UM-3X1)



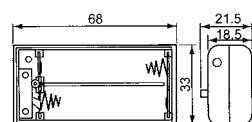
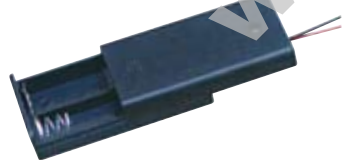
GT3-1838

3xAAA battery holder(UM-4X3)



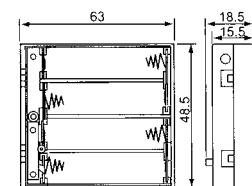
GT3-1834

2xAA battery holder(UM-3X2)



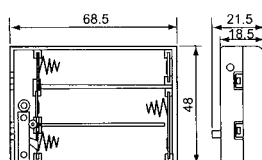
GT3-1839

4xAAA battery holder(UM-4X4)



GT3-1835

3xAA battery holder(UM-3X3)



BATTERY HOLDER TYPE

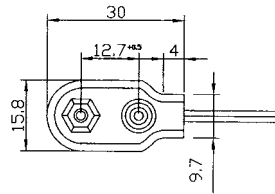
GT3-1801-(A,B,C,D)

- A: WITH 15cm LEAD WIRE
- B: WITH SOLDER LUG
- C: WITH 6PRONG SNAP
- D: WITH PIN

BATTERY SNAP SERIES

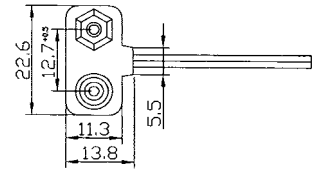
GT3-1840

9volt battery snap



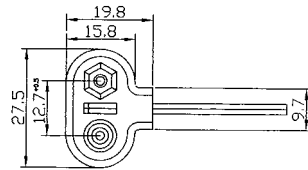
GT3-1846

9volt battery snap



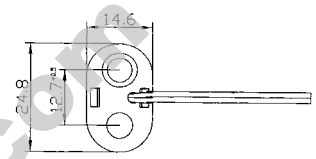
GT3-1841

9volt battery snap



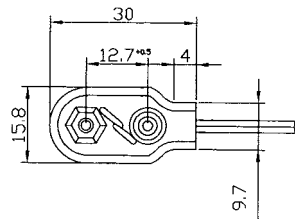
GT3-1847

9volt battery snap



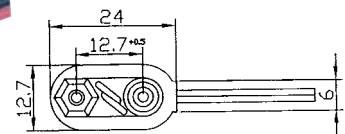
GT3-1842

9volt battery snap



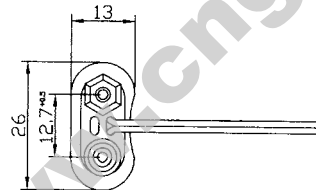
GT3-1848

9volt battery snap



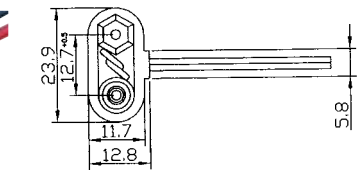
GT3-1843

9volt battery snap



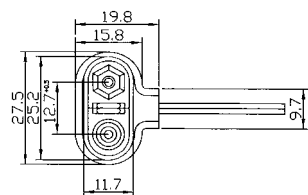
GT3-1849

9volt battery snap



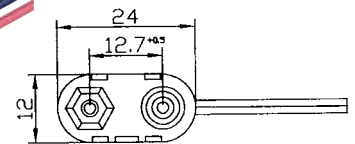
GT3-1844

9volt battery snap



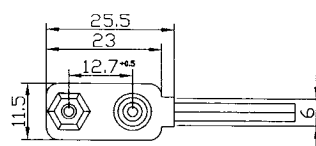
GT3-1850

9volt battery snap



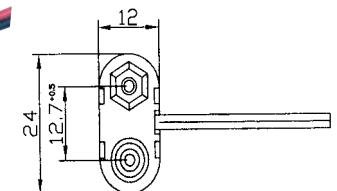
GT3-1845

9volt battery snap



GT3-1851

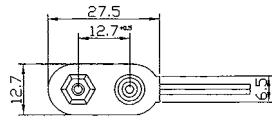
9volt battery snap



BATTERY SEAT SERIES

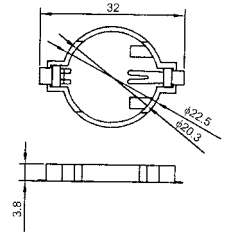
GT3-1852

9volt battery snap



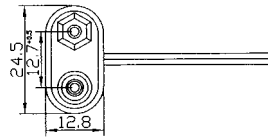
GT3-1858

for CR2025 battery



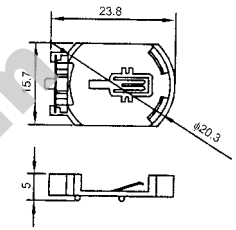
GT3-1853

9volt battery snap



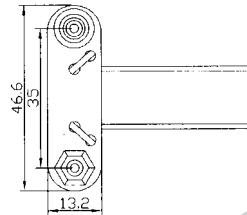
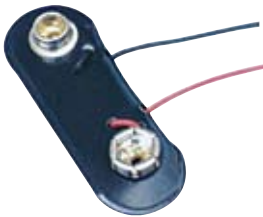
GT3-1859

for CR2025 battery



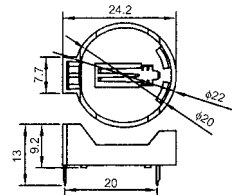
GT3-1854

9volt battery snap



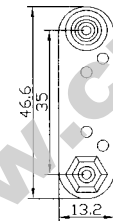
GT3-1860

for CR2032 battery



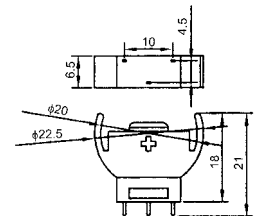
GT3-1855

9volt battery snap



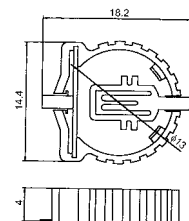
GT3-1861

for CR2032 battery



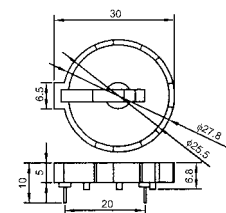
GT3-1856

for CR1220 battery



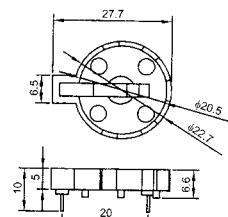
GT3-1862

for CR2430 battery



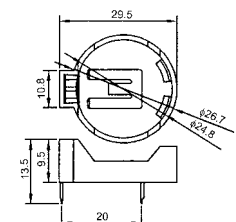
GT3-1857

for CR2016 battery



GT3-1863

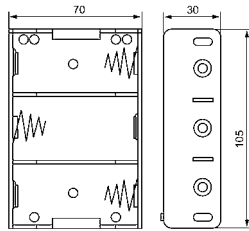
for CR2450 battery



BATTERY HOLDER SERIES

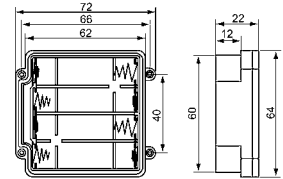
GT3-1901

3xD battery holder(UM-1X3)
Type:A.B.C



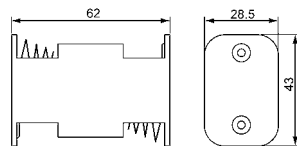
GT3-1906

4xAA battery holder(UM-3X4)
waterproof



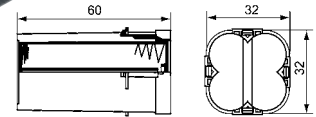
GT3-1902

2xC battery holder(UM-2X2)
Type:A.B.C



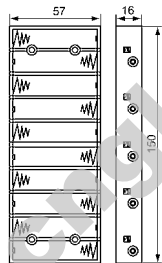
GT3-1907

4xAA battery holder(UM-3X4)
waterproof



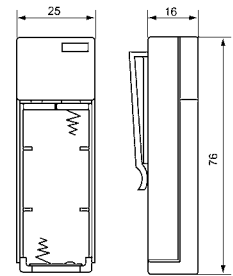
GT3-1903

10xAA battery holder(UM-3X10)
Type:A.B.C



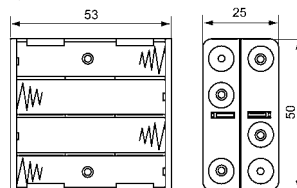
GT3-1908

2xAAA battery holder(UM-4X3)



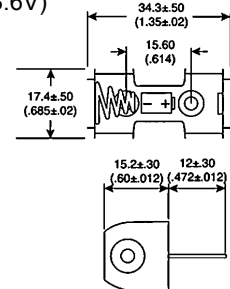
GT3-1904

8xAAA battery holder(UM-4X8)
Type:A.B.C



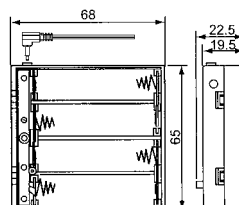
GT3-1909

1x1/2AA battery holder
(ER14250 3.6V)
Type:A.D



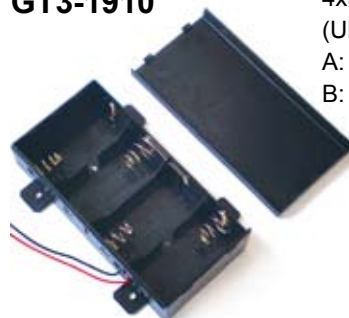
GT3-1905

4xAA battery holder(UM-3X4)



GT3-1910

4xD battery holder with switch
(UM-1X4)
A: with wire
B: with XH2.5 Connector





GERMANY

GT3-2006

German style mechanical timer,
Packing: 1pc/blister,
48pcs/CTN,
Meas: 61*44*25cm,
Max:3500W 16A /220-240V,
children security,
product certification:
CE, GS, TUV, S,
Color: White and Yellow



GT3-2012

3500W 24 hours mechanical
timer switch with CE,
German style,
Packing: 1pc/blister,
48pcs/CTN,
Meas: 61*48*25cm,
Max:3500W 16A /220-240V,
children security, Weekly timer,
product certification:
CE, GS, TUV, S



GT3-2001

German style mechanical timer,
Packing: 1pc/blister,
48pcs/CTN,
Meas: 61*48*25cm,
Max:3500W 16A /220-240V,
children security,
product certification: CE,
With luminous light,
24 hours programme timer.



GT3-2007

German style mechanical timer,
Packing: 1pc/blister,
48pcs/CTN,
Meas: 69.5*42*28cm,
Max:3500W 16A /220-240V,
children security,
product certification: CE, S



GT3-2013

German style mechanical timer,
Packing: 1pc/blister,
48pcs/CTN,
Meas: 61*44*25cm,
Max:3500W 16A /220-240V,
children security, product
certification:
CE, GS, TUV, S,
Color: White and Yellow



GT3-2002

German style mechanical timer,
Packing: 1pc/blister,
48pcs/CTN,
Meas: 61*48*25cm,
Max:3500W 16A /220-240V,
children security,
product certification:
CE, GS, TUV, S,
Color: White and Yellow,
24 hours programmable timer.



GT3-2008

German style mechanical timer,
Packing: 1pc/blister,
48pcs/CTN,
Meas: 69*42*27cm,
Max:3500W 16A /220-240V,
children security,
product certification: CE, S



GT3-2014

German style mechanical timer,
Packing: 1pc/blister,
48pcs/CTN,
Meas: 59.5*38*27cm,
Max:3500W 16A /220-240V,
children security,
product certification:
CE, GS, TUV, S



GT3-2003

German style mechanical timer,
Packing: 1pc/blister,
48pcs/CTN,
Meas: 61*48*25cm,
Max:3500W 16A /220-240V,
children security,
product certification:
CE, GS, TUV, S,
Color: White and Yellow,
24 hours programme timer.



GT3-2009

German style mechanical timer,
Packing: 1pc/blister,
48pcs/CTN,
Meas: 58.5*38*27cm,
Max:3500W 16A /220-240V,
children security,
product certification:
CE, GS, TUV, S



GT3-2015

Industrial timer switch with
CE TUV GS, German series,
24 hours programmable
mechanical timer,
Packing: 1pc/blister,
48pcs/CTN,
Meas: 63*50.5*25cm,
Max:3500W 16A /220-240V,
children security,
product certification:
CE, TUV, S



GT3-2004

German style mechanical timer,
Packing: 1pc/blister,
48pcs/CTN,
Meas: 64*56*25cm,
Max:3500W 16A /220-240V,
children security,
product certification:
CE, S, IP44,
Color: White and Yellow,
24 hours programme timer.



GT3-2010

German style mechanical timer,
Packing: 1pc/blister,
48pcs/CTN,
Meas: 61*51*25cm,
Max:3500W 16A /220-240V,
children security,
product certification:
CE, GS, TUV, S,
Color: White



GT3-2016

German type electronic timer
switch 24 hours programmable,
mechanical timer,
Packing: 1pc/blister,
48pcs/CTN,
Meas: 62*53*25cm,
Max:3500W 16A /220-240V,
children security,
product certification:
CE, TUV, S



GT3-2005

German style mechanical timer,
Packing: 1pc/blister,
48pcs/CTN,
Meas: 69*58*26cm,
Max:3500W 16A /220-240V,
children security,
product certification:
CE, GS, S, IP44,
Color: White and Yellow



GT3-2011

3500W 24 hours mechanical
timer switch with CE, German
style, Packing: 1pc/blister,
48pcs/CTN,
Meas: 61*48*25cm,
Max:3500W 16A /220-240V,
children security,
Count-down timer:
30', 60', 120', 6hs, 12hs,
product certification:
CE, GS, TUV, S



GT3-2017

German style mechanical timer,
Packing: 1pc/blister,
48pcs/CTN,
Meas: 53*38*48cm,
Max:3500W 16A /220-240V,
children security,
product certification:
CE, TUV, S, IP44,
Color: White and Yellow



TIMER

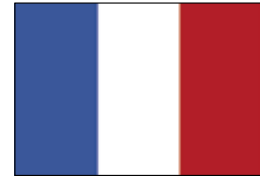
GT3-2018

German style mechanical timer,
Packing: 1pc/blister,48pcs/CTN,
Meas: 63*51.5*26cm,
Max:3500W 16A /220-240V,
children security,
product certification:
CE, TUV, S



GT3-2053

German style digital timer,
Packing: 1pc/blister,
48pcs/CTN,
Meas:62*51*25cm,
Max:3600W 16A /220-240V,
children security,
product certification:
CE, GS



FRANCE

GT3-2019

German style mechanical timer,
Packing: 1pc/blister,
48pcs/CTN,
Meas: 63*51.5*26cm,
Max:3500W 16A /220-240V,
children security,
product certification:
CE, TUV, S



GT3-2054

German style digital timer,
Packing: 1pc/blister,
48pcs/CTN,
Meas:60*54*34cm,
Max:3600W 16A /220-240V,
children security,
product certification: CE



GT3-2101

French style mechanical timer,
Packing: 1pc/blister,
48pcs/CTN,
Meas:61*48*25cm,
Max:3500W 16A /230V,
children security, product
certification:
CE (EMC & LVD),
With luminous light



GT3-2020

German style mechanical timer,
Packing: 1pc/blister,
48pcs/CTN,
Meas: 69*58*26cm,
Max:3500W 16A /220-240V,
children security,
product certification:
CE, TUV, S, IP44



GT3-2055

German style digital timer,
Packing: 1pc/blister,
48pcs/CTN,
Meas:75*56*26cm,
Max:3600W 16A /220-240V,
children security,
product certification:
CE, GS, S, IP44



GT3-2102

French style mechanical timer,
Packing: 1pc/blister,
48pcs/CTN,
Meas:61*48*25cm,
Max:3500W 16A /230V,
children security,
product certification:
CE (EMC & LVD),
Color: white and yellow



GT3-2021

German style mechanical timer,
Packing: 1pc/blister,
48pcs/CTN,
Meas:53*37*25cm,
Max:3500W 16A /220-240V,
children security,
product certification:
CE, TUV, S, GS



GT3-2056

German style digital timer,
Packing: 1pc/blister,
48pcs/CTN,
Meas:53*33.5*25cm,
Max:3600W 16A /220-240V,
children security,
product certification:
CE, GS, S



GT3-2103

French style mechanical timer,
Packing: 1pc/blister,
48pcs/CTN,
Meas:61*48*25cm,
Max:3500W 16A /230V,
children security,
product certification:
CE (EMC & LVD),
Color: white and yellow



GT3-2051

German style digital timer,
Packing: 1pc/blister,
48pcs/CTN,
Meas:64*35*25cm,
Max:3600W 16A /220-240V,
children security,
product certification:
CE, GS, S,



GT3-2057

German style digital timer,
Packing: 1pc/blister,
48pcs/CTN,
Meas:60*53*24cm,
Max:3600W 16A /220-240V,
children security,
product certification:
CE, GS, S



GT3-2104

French style mechanical timer
Packing: 1pc/blister,
48pcs/CTN,
Meas:61*48*25cm,
Max:3500W 16A /230V,
children security,
product certification:
CE (EMC & LVD).
Color: white and yellow



GT3-2052

German style digital timer,
Packing: 1pc/blister,
48pcs/CTN,
Meas:61.5*52.5*23cm,
Max:3600W 16A /220-240V,
children security,
product certification:CE, GS, S,



GT3-2058

German style digital timer,
Packing: 1pc/blister,
48pcs/CTN,
Meas:55*50*24cm,
Max:3600W 16A /220-240V,
children security,
product certification:CE, S



GT3-2105

French style mechanical timer,
Packing: 1pc/blister,
48pcs/CTN,
Meas:69*58*26cm,
Max:3500W 16A /230V,
children security, product
certification:
CE (EMC & LVD),IP44.
Color: white and yellow



GT3-2106

French style mechanical timer,
Packing: 1pc/blister,48pcs/CTN,
Meas:61*48*25cm,
Max:3500W 16A /230V,
children security,
product certification:
CE (EMC & LVD)
Color: white and yellow



GT3-2112

French style mechanical timer,
Packing: 1pc/blister,
48pcs/CTN,
Meas:61*48*25cm,
Max:3500W 16A /230V,
children security,
product certification:
CE (EMC & LVD)



GT3-2153

French style digital timer,
Packing: 1pc/blister,
48pcs/CTN,
Meas:62*51*25cm,
Max:3600W 16A /230V,
children security,
product certification:
CE (EMC & LVD)



GT3-2107

French style mechanical timer,
Packing: 1pc/blister,
48pcs/CTN,
Meas:62*53*25cm,
Max:3500W 16A /230V,
children security,
product certification:
CE (EMC & LVD)



GT3-2113

French style mechanical timer,
Packing: 1pc/blister,
48pcs/CTN,
Meas:59.5*38*27cm,
Max:3500W 16A /230V,
children security,
product certification:
CE (EMC & LVD)



GT3-2154

French style digital timer,
Packing: 1pc/blister,
48pcs/CTN,
Meas:60*54*34cm,
Max:3600W 16A /230V,
children security,
product certification:
CE (EMC & LVD)



GT3-2108

French style mechanical timer,
Packing: 1pc/blister,
48pcs/CTN,
Meas:69*42*27cm,
Max:3500W 16A /230V,
children security,
product certification:
CE (EMC & LVD),IP44



GT3-2114

French style mechanical timer,
Packing: 1pc/blister,
48pcs/CTN,
Meas:69.5*42*28cm,
Max:3500W 16A /230V,
children security,
product certification:
CE (EMC & LVD),IP44



GT3-2155

French style digital timer,
Packing: 1pc/blister,
48pcs/CTN,
Meas:75*56*26cm,
Max:3600W 16A /230V,
children security,
product certification:
CE (EMC & LVD),IP44



GT3-2109

French style mechanical timer,
Packing: 1pc/blister,
48pcs/CTN,
Meas:58.5*38*27cm,
Max:3500W 16A /230V,
children security,
product certification:
CE (EMC & LVD)



GT3-2115

French style mechanical timer,
Packing: 1pc/blister,
48pcs/CTN,
Meas:63*50.5*25cm,
Max:3500W 16A /230V,
children security,
product certification:
CE (EMC & LVD)



GT3-2156

French style digital timer,
Packing: 1pc/blister,
48pcs/CTN,
Meas:60*53*24cm,
Max:3600W 16A /230V,
children security,
product certification:
CE (EMC & LVD)



GT3-2110

French style mechanical timer,
Packing: 1pc/blister,
48pcs/CTN,
Meas:61*51*25cm,
Max:3500W 16A /230V,
children security,
30', 60', 120', 6Hs, 12Hs
count-down timer,
product certification:
CE (EMC & LVD)



GT3-2151

French style digital timer,
Packing: 1pc/blister,
48pcs/CTN,
Meas:64*35*25cm,
Max:3600W 16A /230V,
children security,
product certification:
CE (EMC & LVD)



GT3-2157

French style digital timer,
Packing: 1pc/blister,
48pcs/CTN,
Meas:55*50*24cm,
Max:3600W 16A /230V,
children security,
product certification:
CE (EMC & LVD)



GT3-2111

French style mechanical timer,
Packing: 1pc/blister,
48pcs/CTN,
Meas:61*48*25cm,
Max:3500W 16A /230V,
children security,
30', 60', 120', 6Hs, 12Hs
count-down timer,
product certification:
CE (EMC & LVD)



GT3-2152

French style digital timer,
Packing: 1pc/blister,
48pcs/CTN,
Meas:61.5*52.5*23cm,
Max:3600W 16A /230V,
children security,
product certification:
CE (EMC & LVD)



TIMER



DANMARK

GT3-2206

Danish style mechanical timer,
Packing: 1pc/blister,
48pcs/CTN,
Meas:62*53*25cm,
Max:3500W 16A /220-240V,
children security,
product certification:CE



GT3-2253

Danish style digital timer,
Packing: 1pc/blister,
48pcs/CTN,
Meas:62*51*25cm,
Max:3600W 16A /220-240V,
children security,
product certification: CE



GT3-2201

Danish style mechanical timer,
Packing: 1pc/blister,
48pcs/CTN,
Meas:61*48*25cm,
Max:3500W 16A /220-240V,
children security,
product certification:
CE,S



GT3-2207

Danish style mechanical timer,
Packing: 1pc/blister,
48pcs/CTN,
Meas:61*48*25cm,
Max:3500W 16A /220-240V,
children security,
product certification:CE,S



GT3-2254

Danish style digital timer,
Packing: 1pc/blister,
48pcs/CTN,
Meas:75*56*26cm,
Max:3600W 16A /220-240V,
children security,
product certification: CE,IP44



GT3-2202

Danish style mechanical timer,
Packing: 1pc/blister,
48pcs/CTN,
Meas:61*48*25cm,
Max:3500W 16A /220-240V,
children security,
product certification:
CE,S



GT3-2208

Danish style mechanical timer,
Packing: 1pc/blister,
48pcs/CTN,
Meas:61*48*25cm,
Max:3500W 16A /220-240V,
children security,
product certification:
CE,S



GT3-2255

Danish style digital timer,
Packing: 1pc/blister,48pcs/CTN,
Meas:60*53*24cm,
Max:3600W 16A /220-240V,
children security,
product certification: CE,S



GT3-2203

Danish style mechanical timer,
Packing: 1pc/blister,
48pcs/CTN,
Meas:61*48*25cm,
Max:3500W 16A /220-240V,
children security,
product certification:
CE,S



GT3-2209

Danish style mechanical timer,
Packing: 1pc/blister,
48pcs/CTN,
Meas:61*48*25cm,
Max:3600W 16A /220-240V,
children security,
product certification: CE



GT3-2256

Danish style digital timer,
Packing: 1pc/blister,48pcs/CTN,
Meas:55*50*24cm,
Max:3600W 16A /220-240V,
children security,
product certification: CE,S



GT3-2204

Danish style mechanical timer,
Packing: 1pc/blister,
48pcs/CTN,
Meas:69*58*26cm,
Max:3500W 16A /220-240V,
children security,
product certification:
CE,S, IP44



GT3-2251

Danish style digital timer,
Packing: 1pc/blister,
48pcs/CTN,
Meas:64*35*25cm,
Max:3600W 16A /220-240V,
children security,
product certification: CE



UNITED KINGDOM

GT3-2205

Danish style mechanical timer,
Packing: 1pc/blister,
48pcs/CTN,
Meas:63*50.5*25cm,
Max:3500W 16A /220-240V,
children security,
product certification:
CE



GT3-2252

Danish style digital timer,
Packing: 1pc/blister,
48pcs/CTN,
Meas:61.5*52.5*23cm,
Max:3600W 16A /220-240V,
children security,
product certification:
CE



GT3-2301

British style mechanical timer,
Packing: 1pc/blister,
48pcs/CTN,
Meas:61*48*25cm,
Max:3200W 13A /250V,
children security,
product certification:
CE (EMC & LVD) BS1363,
white and yellow



GT3-2302

British style mechanical timer,
Packing: 1pc/blister,48pcs/CTN,
Meas:61*44*25cm,
Max:3200W 13A /250V,
children security,
product certification:
CE (EMC & LVD) BS1363,
white and yellow



GT3-2308

British style mechanical timer,
Packing: 1pc/blister,48pcs/CTN,
Meas:63*50.5*25cm,
Max:3200W 13A /250V,
children security,
product certification:
CE (EMC & LVD) BS1363



GT3-2352

British style digital timer,
Packing: 1pc/blister,
48pcs/CTN,
Meas:61.5*52.5*23cm,
Max:3200W 13A /250V,
children security,
product certification:
CE (EMC & LVD) BS5733



GT3-2303

British style mechanical timer,
Packing: 1pc/blister,
48pcs/CTN,
Meas:61*48*25cm,
Max:3200W 13A /250V,
children security,
product certification:
CE (EMC & LVD) BS1363,
white and yellow



GT3-2309

British style mechanical timer,
Packing: 1pc/blister,
48pcs/CTN,
Meas:60*36.5*27cm,
Max:3200W 13A /250V,
children security,
product certification:
CE (EMC & LVD) BS1363



GT3-2353

British style digital timer,
Packing: 1pc/blister,
48pcs/CTN,
Meas:62*51*25cm,
Max:3200W 13A /250V,
children security,
product certification:
CE (EMC & LVD) BS5733



GT3-2304

British style mechanical timer,
Packing: 1pc/blister,
48pcs/CTN,
Meas:69*58*26cm,
Max:3200W 13A /250V,
children security,
product certification:
CE (EMC & LVD) BS1363,
white and yellow



GT3-2310

British style mechanical timer,
Packing: 1pc/blister,
48pcs/CTN,
Meas:61*48*25cm,
Max:3200W 13A /250V,
children security,
product certification:
CE (EMC & LVD) BS1363,
With Luminous Light



GT3-2354

British style digital timer,
Packing: 1pc/blister,
48pcs/CTN,
Meas:75*56*26cm,
Max:3200W 13A /250V,
children security,
product certification:
CE (EMC & LVD) BS5733



GT3-2305

British style mechanical timer,
Packing: 1pc/blister,
48pcs/CTN,
Meas:64*35*25cm,
Max:3200W 13A /250V,
children security,
product certification:
CE (EMC & LVD)BS1363



GT3-2311

British style count-down
mechanical timer,
Packing: 1pc/blister,
48pcs/CTN,
Meas:61*48*25cm,
Max:3200W 13A /250V,
children security,
product certification:
CE (EMC & LVD) BS1363



GT3-2355

British style digital timer,
Packing: 1pc/blister,
48pcs/CTN,
Meas:60*53*24cm,
Max:3200W 13A /250V,
children security,
product certification:
CE (EMC & LVD) BS5733



GT3-2306

British style mechanical timer,
Packing: 1pc/blister,
48pcs/CTN,
Meas:61*51*25cm,
Max:3200W 13A /250V,
children security,
product certification:
CE (EMC & LVD) BS1363



GT3-2312

British style mechanical timer,
Packing: 1pc/blister,
48pcs/CTN,
Meas:61*48*25cm,
Max:3200W 13A /250V,
children security,
product certification:
CE (EMC & LVD) BS1363



GT3-2356

British style digital timer,
Packing: 1pc/blister,
48pcs/CTN,
Meas:55*50*24cm,
Max:3200W 13A /250V,
children security,
product certification:
CE (EMC & LVD) BS5733



GT3-2307

British style mechanical timer,
Packing: 1pc/blister,
48pcs/CTN,
Meas:63*50.5*25cm,
Max:3200W 13A /250V,
children security,
product certification:
CE (EMC & LVD) BS1363



GT3-2351

British style digital timer,
Packing: 1pc/blister,
48pcs/CTN,
Meas:64*35*25cm,
Max:3200W 13A /250V,
children security,
product certification:
CE (EMC & LVD) BS1363



GLOBALTONE ELECTRONICS

Tel: 86-519-85155071 85155073

Fax: 86-519-85155075

E-mail:sales@cnglobaltone.com

MSN:samuel_chee@hotmail.com

http://www.cnglobaltone.com

//www.globaltone.cn

skype:cnglobaltone

TIMER



ITALY

GT3-2406

Italian style mechanical timer,
Packing: 1pc/blister,
48pcs/CTN,
Meas:63*50.5*25cm,
Max:3500W 16A /220-240V,
children security,
product certification: CE



GT3-2452

Italian style digital timer,
Packing: 1pc/blister,
48pcs/CTN,
Meas:61.5*52.5*23cm,
Max:3600W 16A /220-240V,
children security,
product certification: CE



GT3-2401

Italian style mechanical timer,
Packing: 1pc/blister,
48pcs/CTN,
Meas:61*48*25cm,
Max:3500W 16A /220-240V,
children security,
product certification: CE



GT3-2407

Italian style count-down
mechanical timer,
Packing: 1pc/blister,
48pcs/CTN, Meas:61*48*25cm,
Max:3500W 16A /220-240V,
children security,
product certification: CE



GT3-2453

Italian style digital timer,
Packing: 1pc/blister,
48pcs/CTN,
Meas:62*51*25cm,
Max:3600W 16A /220-240V,
children security,
product certification: CE



GT3-2402

Italian style mechanical timer,
Packing: 1pc/blister,
48pcs/CTN,
Meas:61*48*25cm,
Max:3500W 16A /220-240V,
children security,
product certification: CE



GT3-2408

Italian style weekly
mechanical timer,
Packing: 1pc/blister,
48pcs/CTN,
Meas:61*48*25cm,
Max:3500W 16A /220-240V,
children security,
product certification: CE



GT3-2454

Italian style digital timer,
Packing: 1pc/blister,
48pcs/CTN,
Meas:60*53*24cm,
Max:3600W 16A /220-240V,
children security,
product certification: CE



GT3-2403

Italian style mechanical timer,
Packing: 1pc/blister,
48pcs/CTN,
Meas:61*48*25cm,
Max:3500W 16A /220-240V,
children security,
product certification: CE



GT3-2409

Italian style mechanical timer,
Packing: 1pc/blister,
48pcs/CTN,
Meas:62*53*25cm,
Max:3500W 16A /220-240V,
children security,
product certification: CE



GT3-2455

Italian style digital timer,
Packing: 1pc/blister,
48pcs/CTN,
Meas:55*50*24cm,
Max:3600W 16A /220-240V,
children security,
product certification: CE



GT3-2404

Italian style mechanical timer,
Packing: 1pc/blister,
48pcs/CTN,
Meas:69*58*26cm,
Max:3500W 16A /220-240V,
children security,
product certification: CE,IP44



GT3-2410

Italian style mechanical timer
with luminous light,
Packing: 1pc/blister,
48pcs/CTN,
Meas:61*48*25cm,
Max:3500W 16A /220-240V,
children security,
product certification: CE



SWITZERLAND

GT3-2405

Italian style mechanical timer,
Packing: 1pc/blister,
48pcs/CTN,
Meas:61*51*25cm,
Max:3500W 16A /220-240V,
children security,
product certification: CE



GT3-2451

Italian style digital timer,
Packing: 1pc/blister,
48pcs/CTN,
Meas:64*35*25cm,
Max:3600W 16A /220-240V,
children security,
product certification: CE



GT3-2501

Swiss style mechanical timer,
Packing: 1pc/blister,
48pcs/CTN,
Meas:61*48*25cm,
Max:2300W 10A /220-240V,
children security,
product certification: CE



GT3-2502

Swiss style mechanical timer,
Packing: 1pc/blister,
48pcs/CTN,
Meas:61*48*25cm,
Max:2300W 10A /220-240V,
children security,
product certification: CE



GT3-2554

Swiss style digital timer,
Packing: 1pc/blister,
48pcs/CTN,
Meas:55*50*24cm,
Max:2300W 10A /220-240V,
children security,
product certification: CE



GT3-2605

Australian style mechanical timer,
Packing: 1pc/blister,
48pcs/CTN,
Meas:61*51*25cm,
Max:2500W 10A /250V,
product certification:
SAA090607EA



GT3-2503

Swiss style mechanical timer,
Packing: 1pc/blister,
48pcs/CTN,
Meas:69*58*26cm,
Max:2300W 10A /220-240V,
children security,
product certification: CE



AUSTRALIA

GT3-2606

Australian style mechanical timer,
Packing: 1pc/blister,
48pcs/CTN,
Meas:63*50.5*25cm,
Max:2500W 10A /250V,
product certification:
SAA090607EA



GT3-2504

Swiss style mechanical timer,
Packing: 1pc/blister,
48pcs/CTN,
Meas:61*51*25cm,
Max:2300W 10A /220-240V,
children security,
product certification: CE



GT3-2601

Australian style mechanical timer,
Packing: 1pc/blister,
48pcs/CTN,
Meas:61*48*25cm,
Max:2500W 10A /250V,
product certification:
SAA090607EA



GT3-2607

Australian style mechanical timer,
Packing: 1pc/blister,
48pcs/CTN,
Meas:61*48*25cm,
Max:2500W 10A /250V,
product certification:
SAA090607EA



GT3-2551

Swiss style digital timer,
Packing: 1pc/blister,
48pcs/CTN,
Meas:64*35*25cm,
Max:2300W 10A /220-240V,
children security,
product certification: CE



GT3-2602

Australian style mechanical timer,
Packing: 1pc/blister,
48pcs/CTN,
Meas:61*48*25cm,
Max:2500W 10A /250V,
product certification:
SAA090607EA



GT3-2608

Australian style mechanical timer,
Packing: 1pc/blister,
48pcs/CTN,
Meas:61*48*25cm,
Max:2500W 10A /250V,
product certification:
SAA090607EA



GT3-2552

Swiss style digital timer,
Packing: 1pc/blister,
48pcs/CTN,
Meas:61.5*52.5*25cm,
Max:2300W 10A /220-240V,
children security,
product certification: CE



GT3-2603

Australian style mechanical timer,
Packing: 1pc/blister,
48pcs/CTN,
Meas:61*48*25cm,
Max:2500W 10A /250V,
product certification:
SAA090607EA



GT3-2609

Australian style mechanical timer,
Packing: 1pc/blister,
48pcs/CTN,
Meas:62*53*25cm,
Max:2500W 10A /250V,
product certification:
SAA090607EA



GT3-2553

Swiss style digital timer,
Packing: 1pc/blister,
48pcs/CTN,
Meas:60*53*24cm,
Max:2300W 10A /220-240V,
children security,
product certification: CE



GT3-2604

Australian style mechanical timer,
Packing: 1pc/blister,
48pcs/CTN,
Meas:64*56*25cm,
Max:2500W 10A /250V,
product certification:
SAA090607EA



GT3-2610

Australian style mechanical timer,
Packing: 1pc/blister,
48pcs/CTN,
Meas:61*48*25cm,
Max:2500W 10A /250V,
product certification:
SAA090607EA,
With Luminous Light



TIMER

GT3-2651

Australian style digital timer,
Packing: 1pc/blister,
48pcs/CTN,
Meas:64*35*25cm,
Max:2500W 10A /250V,
product certification:
CE, SAA090608EA



GT3-2851

American style digital timer,
Packing: 1pc/blister,
48pcs/CTN



GT3-2852

American style digital timer,
Packing: 1pc/blister,
48pcs/CTN



GT3-2652

Australian style digital timer,
Packing: 1pc/blister,
48pcs/CTN,
Meas:55*50*24cm,
Max:2500W 10A /250V,
product certification:
SAA090608EA



GT3-2902



GT3-2905



GT3-2653

Australian style digital timer,
Packing: 1pc/blister,
48pcs/CTN,
Meas:60*53*24cm,
Max:2500W 10A /250V,
product certification:
SAA090608EA



GT3-2903



GT3-2906



UNITED STATES

GT3-2801

American style mechanical timer,
Packing: 1pc/blister,
48pcs/CTN



GT3-2901



GT3-2802

American style mechanical timer,
Packing: 1pc/blister,
48pcs/CTN



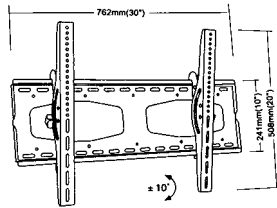
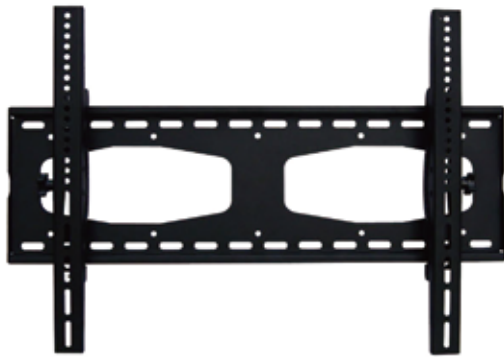
GT3-2904



Package



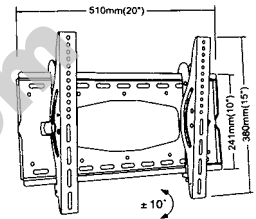
LCD / PLASMA BRACKETS



GT3-3001

- Inner box(1pc):79 X 25 X 5.8 CM
- packing(pcs) :81X27.5X27.5/4PCS
- weight capacity(kgs) :75KGS
- TV size(inch):30~64"
- G.W./N.W.(kgs):5.8/4.8
- G.W./N.W.(kgs):24/20
- distance to the wall:75MM
- tilt angle : + - 10

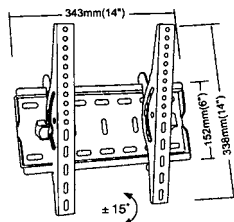
● ● 30-34" 75KG



GT3-3002

- Inner box(1pc):54 X 25 X 5.5 CM
- packing(pcs):56X33X27.5/5PCS
- weight capacity(kgs) :75KGS
- TV size(inch):22~42"
- G.W./N.W.(kgs):4.5/4.0
- G.W./N.W.(kgs):24/20
- distance to the wall:75MM
- tilt angle : + - 10

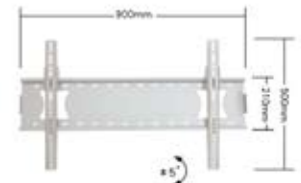
22-42" 75KG



GT3-3003

- Inner box(1pc):37.5 X 16X 5 CM
- packing(pcs):45X18X39/8PCS
- weight capacity(kgs) :75KGS
- TV size(inch):17~37.5"
- G.W./N.W.(kgs):2.7/2.5
- G.W./N.W.(kgs):23/20
- distance to the wall:75MM
- tilt angle : + - 15

17-37.5" 75KG

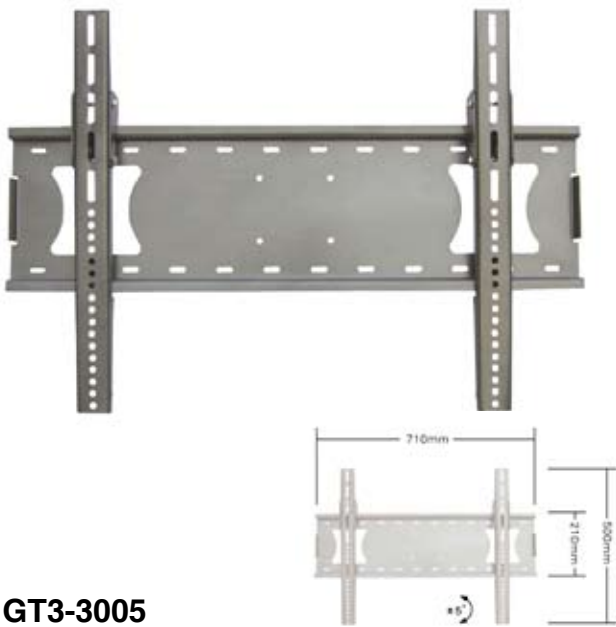


GT3-3004

- Inner box(1pc):92 X 22.5 X 4.3 CM
- packing(pcs):95.5X19X24.5/4PCS
- weight capacity(kgs) :75KGS
- TV size(inch):30~64"
- G.W./N.W.(kgs):5.5/4.5
- G.W./N.W.(kgs):23/20
- distance to the wall:75MM
- tilt angle : + - 5

30-64" 75KG

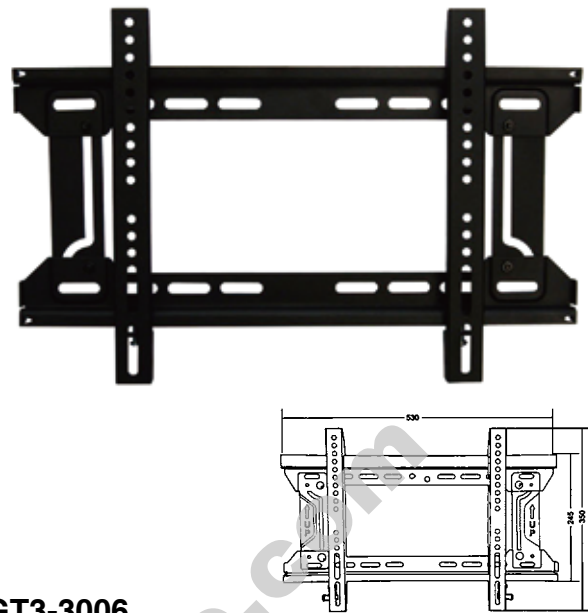
LCD / PLASMA BRACKETS



GT3-3005

- Inner box(1pc):75.5 X 22.5 X 4.3 CM
- packing(pcs):76.5X19X24.5/4PCS
- weight capacity(kgs) :75KGS
- TV size(inch):22~42"
- G.W./N.W .(kgs):4.8/4.0
- G.W./N.W.(kgs):20/18
- distance to the wall:75MM
- titl angle : + - 5

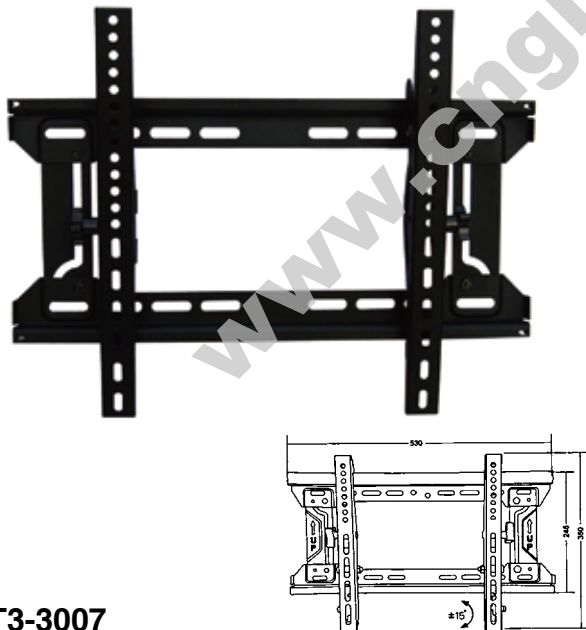
TV 22-42" 75KG



GT3-3006

- Inner box(1pc):55 X 25.5 X 4.3 CM
- packing(pcs):56.5X22.5X27/5PCS
- weight capacity(kgs) :75KGS
- TV size(inch):22~42"
- G.W./N.W .(kgs):2.5/2.1
- G.W./N.W.(kgs):13/11
- distance to the wall:43MM
- titl angle : 0

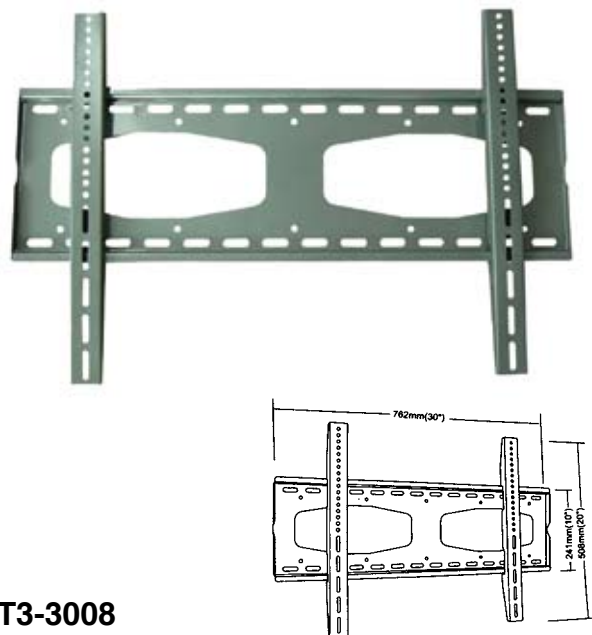
TV 22-42" 75KG



GT3-3007

- Inner box(1pc):55 X 22.5 X 4.8 CM
- packing(pcs):56.5X25X27/5PCS
- weight capacity(kgs) :75KGS
- TV size(inch):22~42"
- G.W./N.W .(kgs):3.2/2.8
- G.W./N.W.(kgs):16/14
- distance to the wall:75MM
- titl angle : + - 15

TV 22-42" 75KG

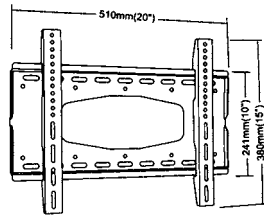


GT3-3008

- Inner box(1pc):79 X 25 X 4.8 CM
- packing(pcs):81X21X27/4PCS
- weight capacity(kgs) :75KGS
- TV size(inch):30~64"
- G.W./N.W .(kgs):4.8/3.9
- G.W./N.W.(kgs):20/16
- distance to the wall:40MM
- titl angle : 0

TV 30-64" 75KG

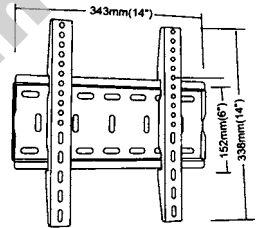
LCD / PLASMA BRACKETS



GT3-3009

- Inner box(1pc):54 X 25 X 4.8 CM
- packing(pcs):56X26X27/5PCS
- weight capacity(kgs) :75KGS
- TV size(inch):22~42"
- G.W./N.W .(kgs):3.5/3
- G.W./N.W.(kgs):18/16
- distance to the wall:40MM
- tilt angle : 0

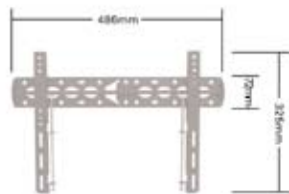
TV 22-42" 75KG



GT3-3010

- Inner box(1pc):37.5 X 16 X 4.8 CM
- packing(pcs):45X18X39/8PCS
- weight capacity(kgs) :75KGS
- TV size(inch):17~37.5"
- G.W./N.W .(kgs):2.4/2.2
- G.W./N.W.(kgs):19/17
- distance to the wall:40MM
- tilt angle : 0

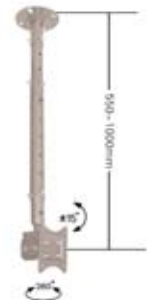
TV 17-37.5" 75KG



GT3-3011

- Inner box(1pc):50.5 X 8.5 X6 CM
- packing(pcs):52.5X20X32/10PCS
- weight capacity(kgs) :75KGS
- TV size(inch):17~37"
- G.W./N.W .(kgs):1.6/1.3
- G.W./N.W.(kgs):16/14
- distance to the wall:40MM
- tilt angle : 0

TV 17-37" 75KG

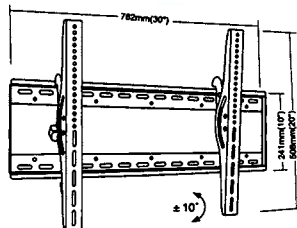


GT3-3012

- Inner box(1pc):36 X 14 X10 CM
- packing(pcs):41X38X29/8PCS
- weight capacity(kgs) :50KGS
- TV size(inch):15~32"
- G.W./N.W .(kgs):2.4/2.2
- G.W./N.W.(kgs):19/17
- distance to the wall:50~100MM
- tilt angle : + - 15

TV 15-32" 50KG

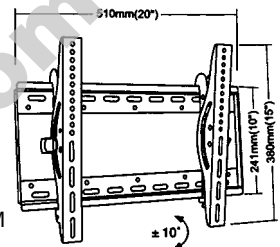
LCD / PLASMA BRACKETS



GT3-3013

- Inner box(1pc):78.8 X 24.9 X 5.8CM
- packing(pcs):81X26X27/4PCS
- weight capacity(kgs) :75KGS
- TV size(inch):30~64"
- G.W./N.W .(kgs):5.3/4.5
- G.W./N.W.(kgs):22.8/18
- distance to the wall:75MM
- titl angle : + - 10

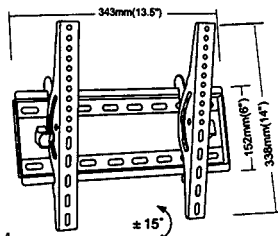
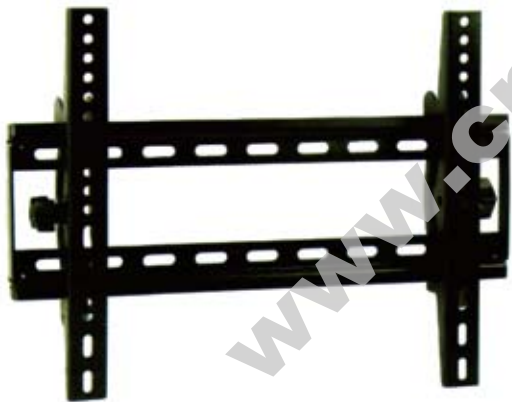
TV 30-64" 75KG



GT3-3014

- Inner box(1pc):54 X 24.8 X 5.4CM
- packing(pcs):56X24X27/4PCS
- weight capacity(kgs) :75KGS
- TV size(inch):22~42"
- G.W./N.W .(kgs):4.2/3.7
- G.W./N.W.(kgs):18/15
- distance to the wall:75MM
- titl angle : + - 10

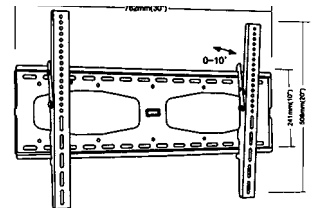
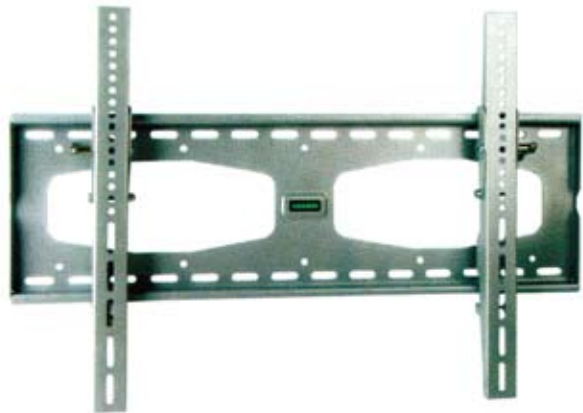
TV 22-42" 75KG



GT3-3015

- Inner box(1pc):37.7 X 16 X 5.1CM
- packing(pcs):39X22.5X34/8PCS
- weight capacity(kgs) :75KGS
- TV size(inch):17~37.5"
- G.W./N.W .(kgs):2.4/2.2
- G.W./N.W.(kgs):20.5/18
- distance to the wall:70MM
- titl angle : + - 15

TV 17-37.5" 75KG

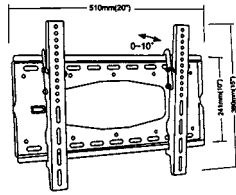
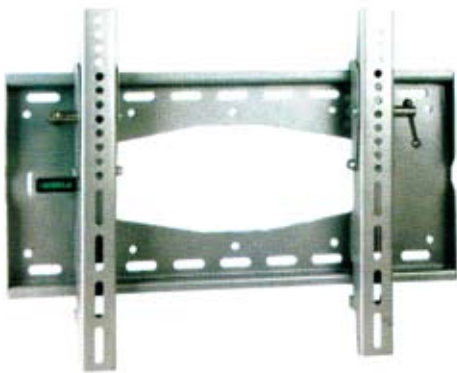


GT3-3016

- Inner box(1pc):78.8 X 24.9 X 5.8CM
- packing(pcs):80.5X26X27/4PCS
- weight capacity(kgs) :75KGS
- TV size(inch):30~64"
- G.W./N.W .(kgs):5.0/4.3
- G.W./N.W.(kgs):21.5/18
- distance to the wall:50MM
- titl angle : + - 10

TV 30-64" 75KG

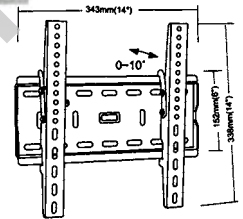
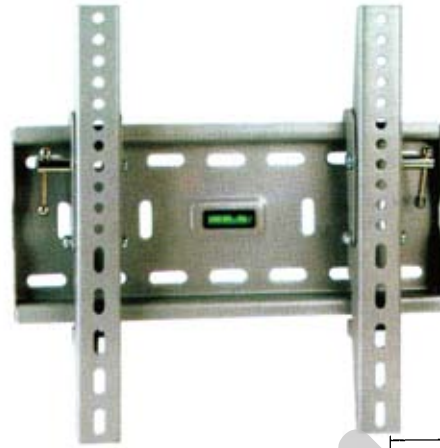
LCD / PLASMA BRACKETS



GT3-3017

- Inner box(1pc):54.2 X 25 X 5.8CM
- packing(pcs):56X26X27/4PCS
- weight capacity(kgs) :75KGS
- TV size(inch):22~42"
- G.W./N.W .(kgs):4.0/3.5
- G.W./N.W.(kgs):17.5/14
- distance to the wall:750MM
- titl angle : + - 10

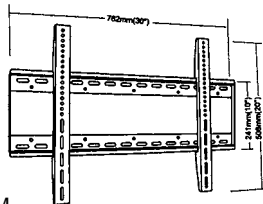
TV 22-42" 75KG



GT3-3018

- Inner box(1pc):37.7 X 16 X 5.1CM
- packing(pcs):39X22.5X34/8PCS
- weight capacity(kgs) :75KGS
- TV size(inch):17~37.5"
- G.W./N.W .(kgs):2.6/2.3
- G.W./N.W.(kgs):22/19
- distance to the wall:50MM
- titl angle : + - 10

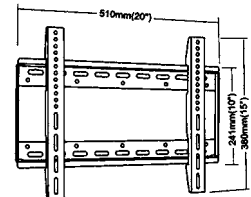
TV 17-37.5" 75KG



GT3-3019

- Inner box(1pc):77.5 X 8.8X 6.2CM
- packing(pcs):79X19X20/6PCS
- weight capacity(kgs) :75KGS
- TV size(inch):30~64"
- G.W./N.W .(kgs):3.7/3.5
- G.W./N.W.(kgs):23/21
- distance to the wall:40MM
- titl angle : 0

TV 30-64" 75KG

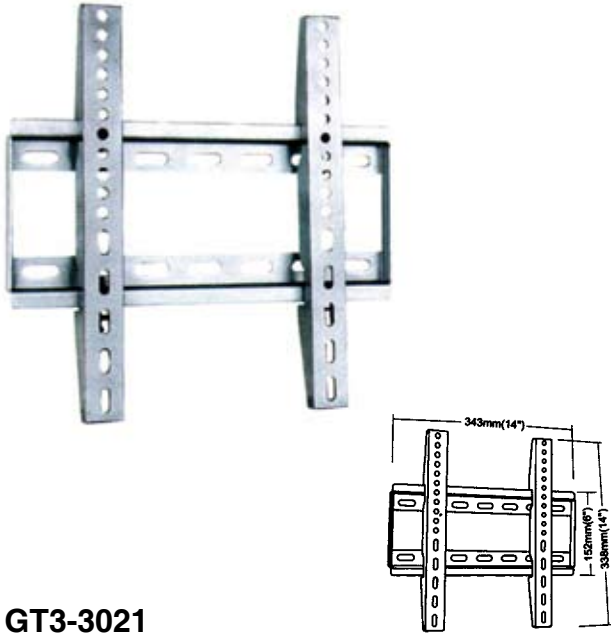


GT3-3020

- Inner box(1pc):52.5 X 8.5 X 5.7CM
- packing(pcs):54X19X25/8PCS
- weight capacity(kgs) :75KGS
- TV size(inch):22~42"
- G.W./N.W .(kgs):2.73/2.6
- G.W./N.W.(kgs):23/21
- distance to the wall:40MM
- titl angle : 0

TV 22-42" 75KG

LCD / PLASMA BRACKETS



GT3-3021

- Inner box(1pc):37.5 X 16 X 4.8CM
- packing(pcs):39X21.5X34/8PCS
- weight capacity(kgs) :75KGS
- TV size(inch):17~37.5"
- G.W./N.W .(kgs):2/1.8
- G.W./N.W.(kgs):16.8/14.5
- distance to the wall:40MM
- titl angle : 0

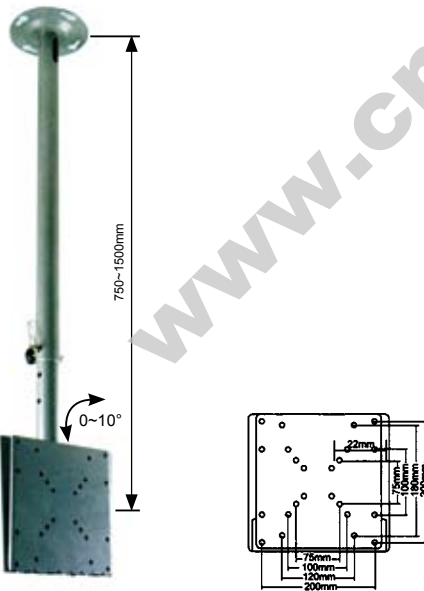
TV 17-37.5" 75KG



GT3-3022

- TV size Range:15~30"
- Loading weight:30KG
- packing:76X41X40(cm)/4PCS
- Net weight:2.2KG
- packing:74.5X19X19(cm)/1PCS
- N.W./G.W.(kgs):9/10.5KG

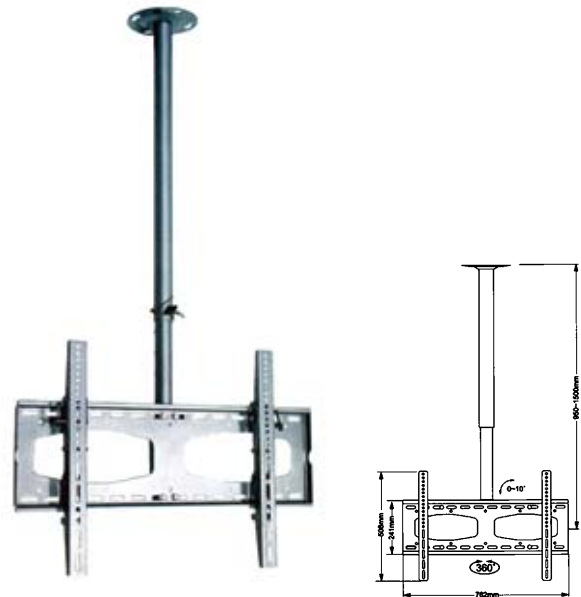
TV 15-30" 30KG



GT3-3023

- TV size Range:15~32"
- Loading weight:40KG
- N.W./G.W:4.8/5.2KG
- N.W./G.W:9.6/12KG
- Net weight:4.8KG
- packing:108.2X21X18.5(cm)/1PCS
- packing:110X39X22.5(cm)/2PCS

TV 15-32" 40KG



GT3-3024

- TV size Range:30~64"
- Loading weight:65KG
- Supender packing:110X41X40(cm)/4PCS
- TV Shelf packing:80.5X27X26(cm)/4PCS
- Net weight:6.5KG
- Supender packing:108X19X19(cm)/1PCS
- TV Shelf packing:78.8X25X5.8(cm)/1PCS

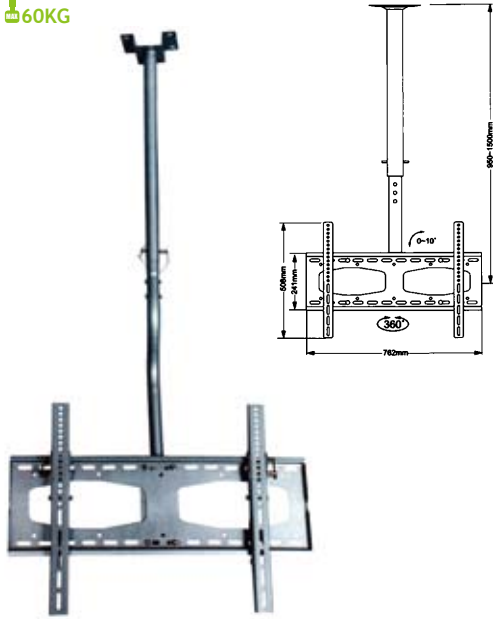
TV 30-64" 60KG

LCD / PLASMA BRACKETS

GT3-3025

- TV size Range:30~64"
- Loading weight:65KG
- Supender packing:78.8X25X5.8(cm)/1PCS
- N.W./G.W.:18/2.1KG
- Net weight:9KG
- Supender packing:78X16X11(cm)/1PCS
- TV Shelf packing:79.5X59.5X62(cm)/2PCS

TV 30-64" 60KG

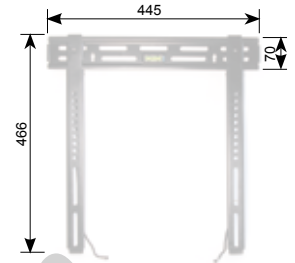


GT3-3026

- TV size range: 22"-42"
- Loading weight Max: 50KGS
- VESA:400*400
- Inner box:59.5*8.5*3.5(cm)/1pc
- Packing box:61*19*20(cm)/10pcs
- G.W./N.W(KG):2/1.7(1box)
- G.W./N.W(KG):22/20(1Ctn)

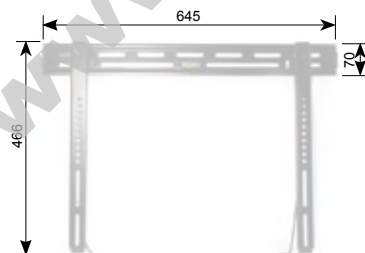
- Ultra Slim Wall mounts For LED
- Profile:1.3cm(0.5")
- Integrated Spirit Level
- Safety Automatic Lock
- Cord Hidden Design
- Steel construction

TV 22-42" 50KG



GT3-3027

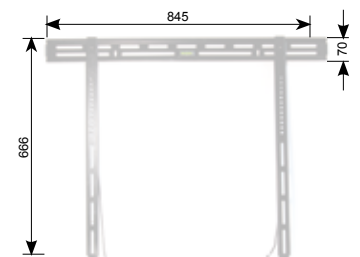
- TV size range: 32"-50"
- Loading weight Max: 60KGS
- VESA:600*400
- Inner box:66.5*8.5*3.5(cm)/1pc
- Packing box:68*19*20(cm)/10pcs
- G.W./N.W(KG):2.5/2(1box)
- G.W./N.W(KG):27/25(1Ctn)



TV 32-50" 60KG

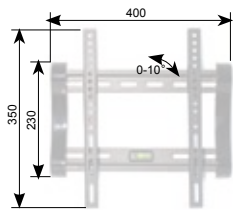
GT3-3028

- TV size range: 37"-65"
- Loading weight Max: 70KGS
- VESA:800*600
- Inner box:86*8.5*3.5(cm)/1pc
- Packing box:88*19*20(cm)/10pcs
- G.W./N.W(KG):3.2/2.8(1box)
- G.W./N.W(KG):34/32(1Ctn)



TV 37-65" 70KG

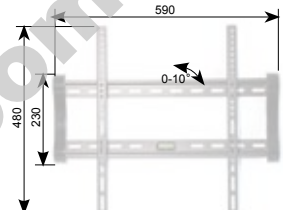
LCD / PLASMA BRACKETS



GT3-3029

- TV size range: 17"-32"
- Loading weight Max: 45KGS
- VESA:400*350
- Viewing adjust up&down $\pm 12^\circ$
- Inner box:38*23.5*4(cm)/1pc
- Packing box:39*22.5*25.5(cm)/5pcs
- G.W./N.W(KG):2/1.5(1box)
- G.W./N.W(KG):11/10(1Ctn)

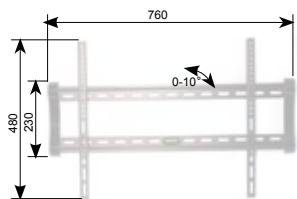
● ● 17-32" 45KG



GT3-3030

- TV size range: 22"-42"
- Loading weight Max: 60KGS
- VESA:550*450
- Viewing adjust up&down $\pm 12^\circ$
- Inner box:60*23.5*4(cm)/1pc
- Packing box:61.5*22.5*25.5(cm)/5pcs
- G.W./N.W(KG):2.5/1.8(1box)
- G.W./N.W(KG):13.5/12.5(1Ctn)

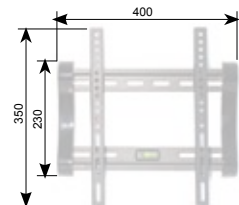
● ● 22-42" 60KG



GT3-3031

- TV size range: 32"-60"
- Loading weight Max: 75KGS
- VESA:750*450
- Viewing adjust up&down $\pm 12^\circ$
- Inner box:76.5*23.5*4(cm)/1pc
- Packing box:78*22.5*25.5(cm)/5pcs
- G.W./N.W(KG):3/2.4(1box)
- G.W./N.W(KG):16/15(1Ctn)

● ● 32-60" 75KG

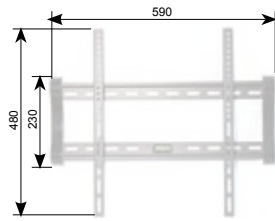


GT3-3032

- TV size range: 17"-32"
- Loading weight Max: 45KGS
- VESA:400*350
- Inner box:38*23.5*4(cm)/1pc
- Packing box:39*22.5*25.5(cm)/5pcs
- G.W./N.W(KG):2/1.5(1box)
- G.W./N.W(KG):11/10(1Ctn)

● ● 17-32" 45KG

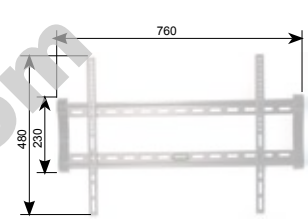
LCD / PLASMA BRACKETS



GT3-3033

- TV size range: 22"-42"
- Loading weight Max: 60KGS
- VESA:550*450
- Inner box:60*23.5*4(cm)/1pc
- Packing box:61.5*22.5*25.5(cm)/5pcs
- G.W./N.W(KG):2.5/1.8(1box)
- G.W./N.W(KG):13.5/12.5(1Ctn)

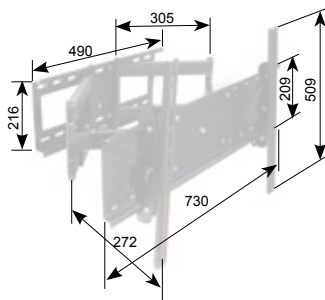
● ● 22-42" 60KG



GT3-3034

- TV size range: 32"-60"
- Loading weight Max: 75KGS
- VESA:750*450
- Inner box:76.5*23.5*4(cm)/1pc
- Packing box:78*22.5*25.5(cm)/5pcs
- G.W./N.W(KG):3/2.4(1box)
- G.W./N.W(KG):16/15(1Ctn)

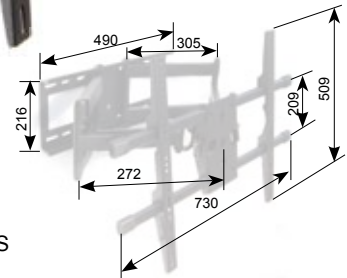
● ● 32-60" 75KG



GT3-3035

- TV size range: 37"-65"
- Loading weight Max: 60KGS
- VESA:700*500
- Distance to Wall:120~620mm
- Viewing adjust: up&down $\pm 12^\circ$ left&right 120°
- Interface size:490*216mm
- Inner box: 76*23*10(cm)/1pc
- Packing box: 79.5*24.5*11.5 (cm)/1pc
- G.W./N.W(KG):13.5/12.8(1box)
- G.W./N.W(KG):14.5/13.5(1Ctn)

● ● 37-65" 60 KG



GT3-3036

- TV size range: 37"-65"
- Loading weight Max: 60KGS
- VESA:700*500
- Distance to Wall:120~620mm
- Viewing adjust left&right 120°
- Interface size:490*216mm
- Inner box: 76*25*10(cm)/1pc
- Packing box: 79.5*25.5*11.5 (cm)/1pc
- G.W./N.W(KG):12/10.8(1box)
- G.W./N.W(KG):13/12(1Ctn)

● ● 37-56" 60 KG

LCD / PLASMA BRACKETS



GT3-3037

- TV size range: 25"-42"
- Loading weight Max: 60KGS
- VESA:450*300
- Distance to Wall:110~450mm
- Viewing adjust up&down $\pm 15^\circ$ left&right 120°
- Interface size:235*200mm
- Inner box:50.5*21.5*9.5(cm)/1pc
- Packing box:51.5*22.5*21(cm)/2pcs
- G.W./N.W(KG):8.5/7.8(1box)
- G.W./N.W(KG):18/17(1Ctn)

● ● **TV 25-42"** **60 KG**



GT3-3039

- TV size range: 30"-54"
- Loading weight Max: 50KGS
- VESA:700*500
- Distance to Wall:125~685mm
- Viewing adjust up&down $\pm 10^\circ$ left&right 180°
- Interface size:473*241mm
- Inner box:79*27*10(cm)/1pc
- Packing box:80*28*22(cm)/2pcs
- G.W./N.W(KG):13.5/12.8(1box)
- G.W./N.W(KG):29/27(1Ctn)

● ● **TV 30-54"** **50 KG**



GT3-3038

- TV size range: 22"-42"
- Loading weight Max: 60KGS
- VESA:450*300
- Distance to Wall:110~450mm
- Viewing adjust up&down $\pm 15^\circ$ left&right 120°
- Interface size:455*230mm
- Inner box:49*24*9.5(cm)/1pc
- Packing box:51.5*26*21(cm)/2pcs
- G.W./N.W(KG):9.2/8.5(1box)
- G.W./N.W(KG):20.5/19(1Ctn)

● ● **TV 22-42"** **60 KG**

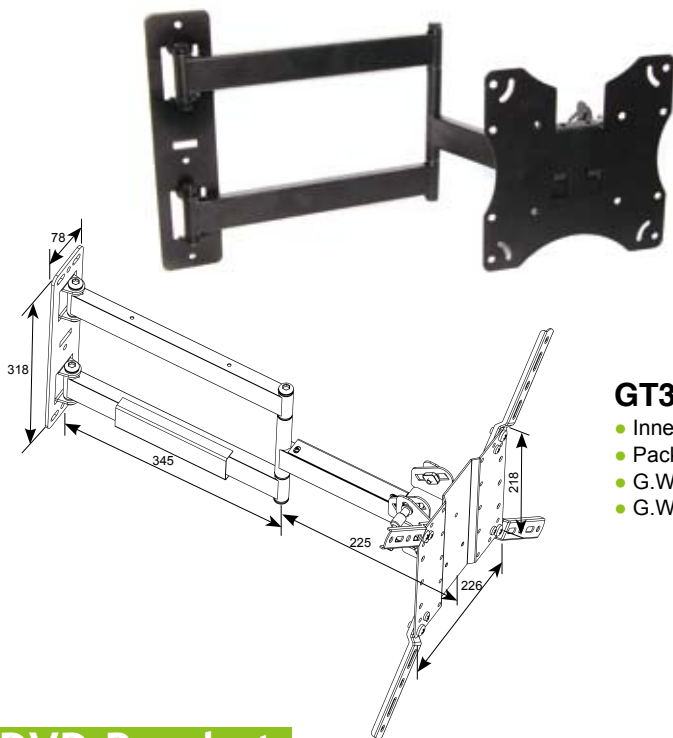


GT3-3040

- TV size range: 22"-42"
- Loading weight Max: 40KGS
- VESA:500*400
- Distance to Wall:120~680mm
- Viewing adjust up&down $\pm 10^\circ$ left&right 180°
- Interface size:473*241mm
- Inner box:64*27*10(cm)/1pc
- Packing box:65*28*22(cm)/2pcs
- G.W./N.W(KG):12.5/11.8(1box)
- G.W./N.W(KG):26/24(1Ctn)

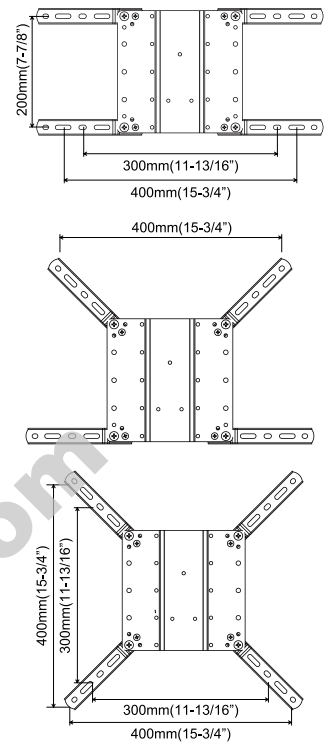
● ● **TV 22-42"** **40 KG**

LCD / PLASMA BRACKETS

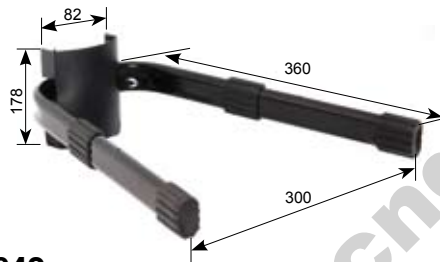


GT3-3041

- Inner box:40*33*10.5(cm)/1pc
- Packing box:54*41*34(cm)/5pcs
- G.W./N.W(KG):5/4.5(1box)
- G.W./N.W(KG):27/25(1Ctn)



DVD Bracket



GT3-3042

- Loading Max:25KGS
- 360mm depth,300 width
- With cable management
- Inner box:34*29.5*7(cm)/1pc
- Packing box:76*31*36(cm)/10pcs
- G.W./N.W(KG):2.5/2(1box)
- G.W./N.W(KG):27/25(1Ctn)

DVD ● ● 25 KG

GT3-3044

- Shelf:6mm black tempered galss
- Dimensions:17.5"w*16.5"h*16.5"d(445mm*419mm*419mm)
- Loading Max:13.6KGS
- With cable management
- Inner box:48.5*40*10.5(cm)/1pc
- Packing box:49*41*22(cm)/2pcs
- G.W./N.W(KG):5/4.5(1box)
- G.W./N.W(KG):11/10(1Ctn)

DVD ● ● 13.6 KG



GT3-3043

- Shelf:5mm black tempered galss(size:419mm*290mm)
- Loading Max:18KGS
- 360mm depth,300 width
- With cable management
- Inner box:42.5*29.5*7(cm)/1pc
- Packing box:43.5*39*31.5(cm)/5pcs
- G.W./N.W(KG):4/3.6(1box)
- G.W./N.W(KG):22/20(1Ctn)

DVD ● ● 18 KG

GT3-3045

- Shelf:6mm tempered galss
- Dimensions:17.5"w*16.5"h*16.5"d(445mm*419mm*419mm)
- Loading Max:13KGS
- With cable management
- Inner box:48.5*40*10.5(cm)/1pc
- Packing box:49*41*22(cm)/2pcs
- G.W./N.W(KG):6/5.5(1box)
- G.W./N.W(KG):13/12(1Ctn)

DVD ● ● 13 KG



LCD / PLASMA BRACKETS



GT3-3101

Lcd/Plasma Brackets

Fits most 14" to 32" screens
Supports up to 35 kg (77 lbs)
Includes lockable safety screws
Optional integrated bubble level

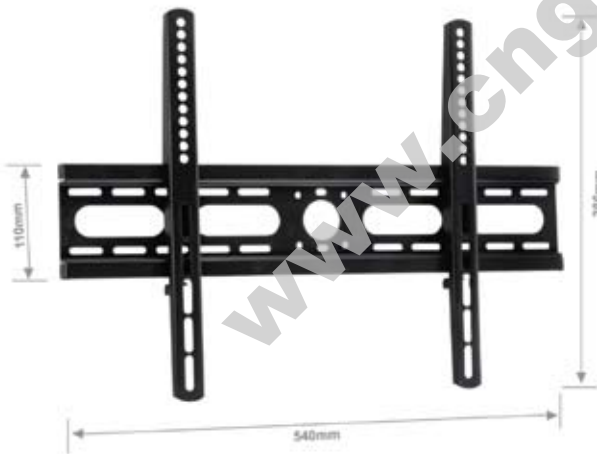
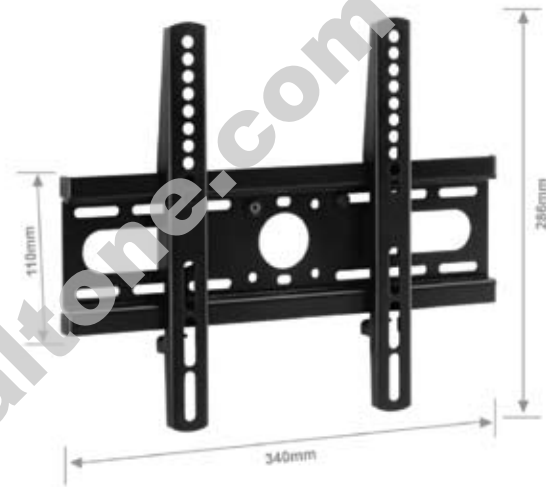
  VESA
14"-32" 35KGS 240x110mm

GT3-3102

Lcd/Plasma Brackets

Fits most 14" to 37" screens
Supports up to 35 kg (77 lbs)
Includes lockable safety screws
Optional integrated bubble level

  VESA
14"-37" 35KGS 340x110mm



GT3-3103

Lcd/Plasma Brackets

Fits most 22" to 42" screens
Supports up to 45 kg (99 lbs)
Includes lockable safety screws
Optional integrated bubble level

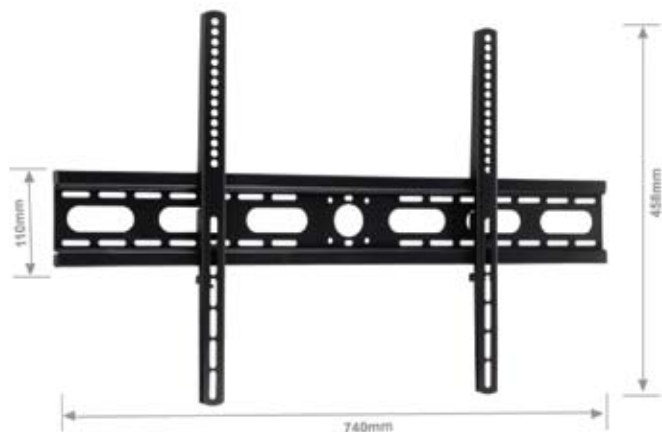
  VESA
22"-42" 45KGS 540x110mm

GT3-3104

Lcd/Plasma Brackets

Fits most 36" to 55" screens
Supports up to 75 kg (165 lbs)
Includes lockable safety screws
Optional integrated bubble level

  VESA
36"-55" 75KGS 740x110mm



LCD / PLASMA BRACKETS



GT3-3107

Lcd/Plasma Brackets

Fits most 23" to 37" screens
 Supports up to 60 kg (132 lbs)
 Includes lockable safety screws
 Optional integrated bubble level

 23"-37"
 60KGS
 VESA 515x242mm

GT3-3105

Lcd/Plasma Brackets

Fits most 10" to 63" screens
 Supports up to 75 kg (165 lbs)
 Includes lockable safety screws
 Optional integrated bubble level

 10"-63"
 75KGS



GT3-3108

Lcd/Plasma Brackets

Fits most 23" to 37" screens
 Supports up to 60 kg (132 lbs)
 Includes lockable safety screws and locks
 Optional integrated bubble level

 23"-37"
 60KGS
 VESA 515x242mm

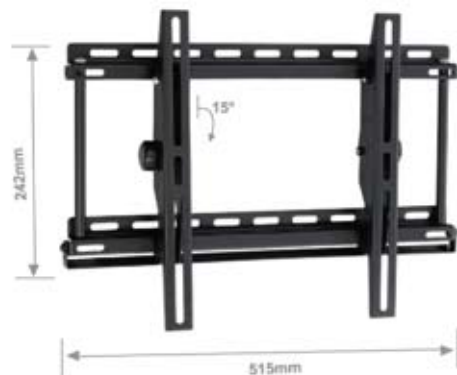


GT3-3106

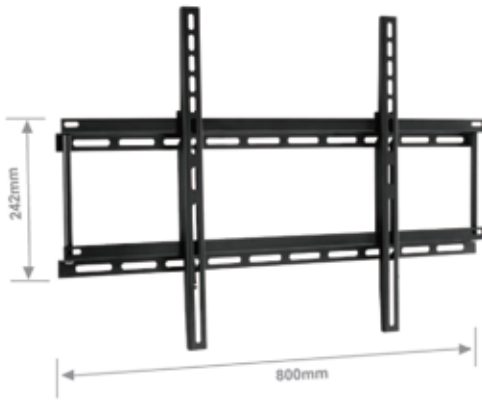
Lcd/Plasma Brackets

Fits most 30" to 63" screens
 Supports up to 50 kg (110 lbs)
 Includes lockable safety slips
 Optional integrated bubble level

 30"-63"
 50KGS

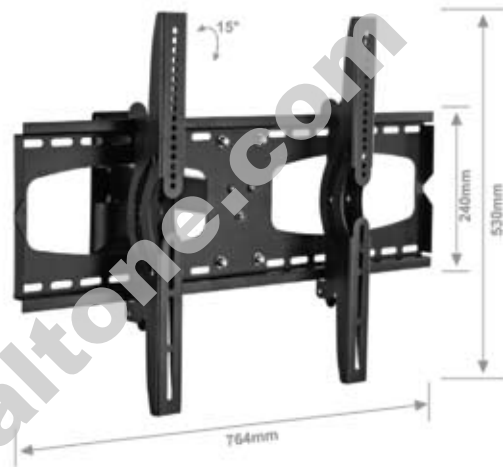


LCD / PLASMA BRACKETS



GT3-3111
 Lcd / Plasma Brackets
 Fits most 30" to 63" screens
 Supports up to 75 kg (165 lbs)
 Includes lockable safety screws
 Optional integrated bubble level

VESA
 30"-63" 75KGS 764x240mm



GT3-3109
 Lcd / Plasma Brackets
 Fits most 37" to 63" screens
 Supports up to 75 kg (165 lbs)
 Includes lockable safety screws
 Optional integrated bubble level

VESA
 37"-63" 75KGS 800x242mm

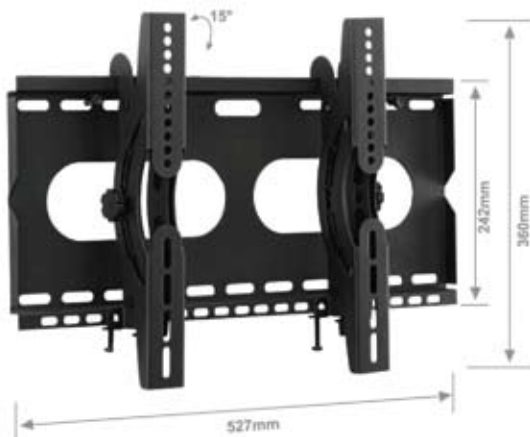


GT3-3112
 Lcd / Plasma Brackets
 Fits most 23" to 37" screens
 Supports up to 75 kg (165 lbs)
 Includes lockable safety screws
 Optional integrated bubble level

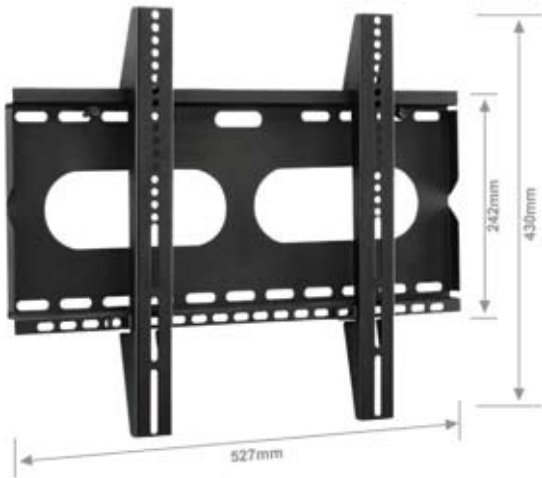
VESA
 23"-37" 75KGS 527x242mm

GT3-3110
 Lcd / Plasma Brackets
 Fits most 37" to 63" screens
 Supports up to 75 kg (165 lbs)
 Includes lockable safety screws and locks
 Optional integrated bubble level

VESA
 37"-63" 75KGS 800x242mm



LCD / PLASMA BRACKETS



GT3-3114

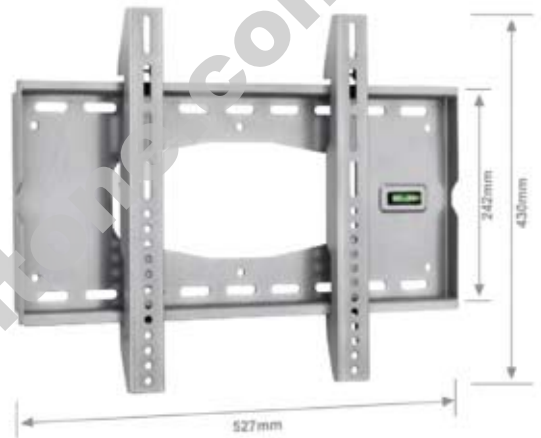
Lcd / Plasma Brackets
 Fits most 23" to 37" screens
 Supports up to 75 kg (165 lbs)
 Includes lockable safety screws
 Optional integrated bubble level

  **VESA**
 23"-37" 75KGS 527x242mm

GT3-3113

Lcd / Plasma Brackets
 Fits most 23" to 37" screens
 Supports up to 75 kg (165 lbs)
 Includes lockable safety screws
 Optional integrated bubble level

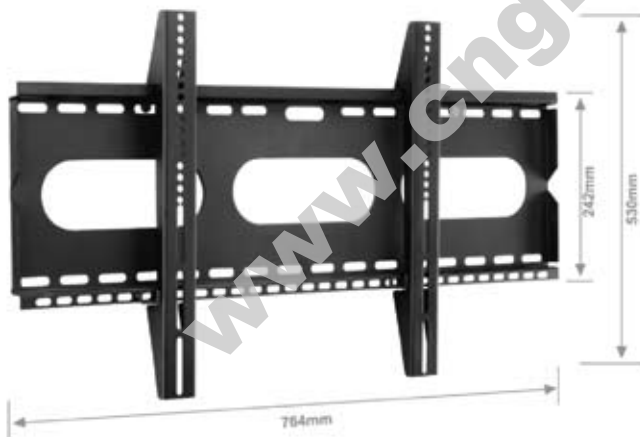
  **VESA**
 23"-37" 75KGS 527x242mm



GT3-3116

Lcd / Plasma Brackets
 Fits most 30" to 63" screens
 Supports up to 75 kg (165 lbs)
 Includes lockable safety screws
 Optional integrated bubble level

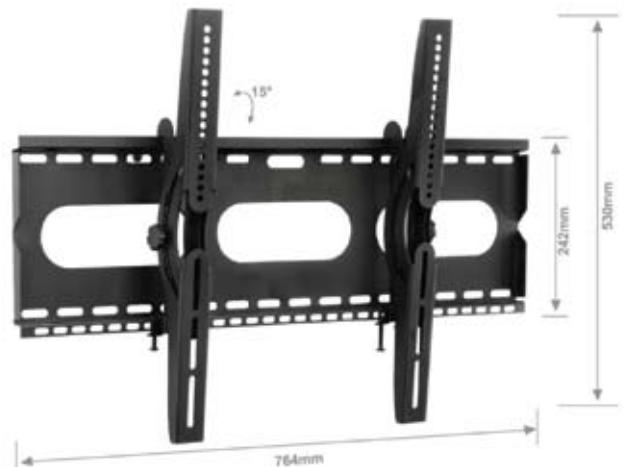
  **VESA**
 30"-63" 75KGS 764x242mm



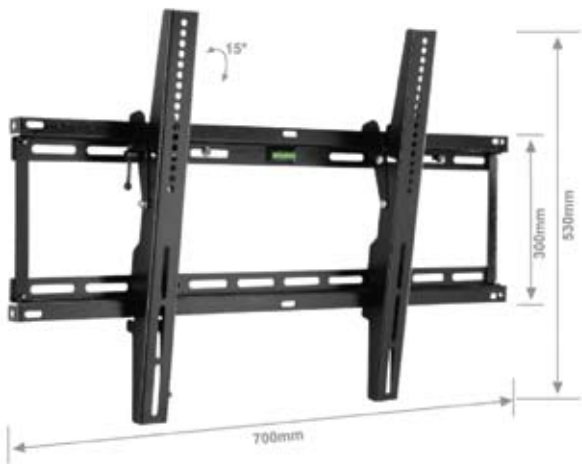
GT3-3115

Lcd / Plasma Brackets
 Fits most 30" to 63" screens
 Supports up to 75 kg (165 lbs)
 Includes lockable safety screws
 Optional integrated bubble level

  **VESA**
 30"-63" 75KGS 764x242mm



LCD / PLASMA BRACKETS



GT3-3117

Lcd / Plasma Brackets

Fits most 37" to 63" screens
Supports up to 75 kg (165 lbs)
Includes lockable safety screws
Optional integrated bubble level

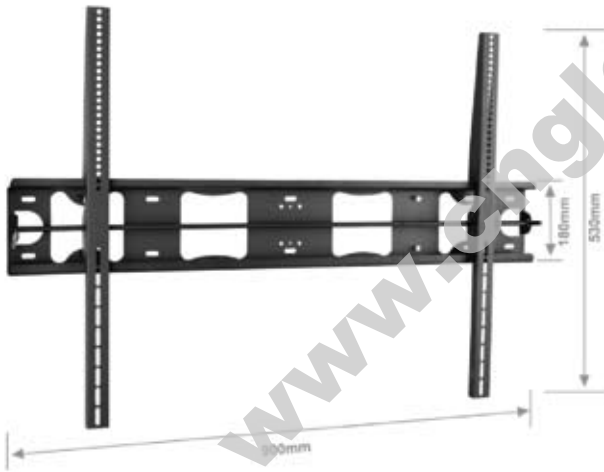
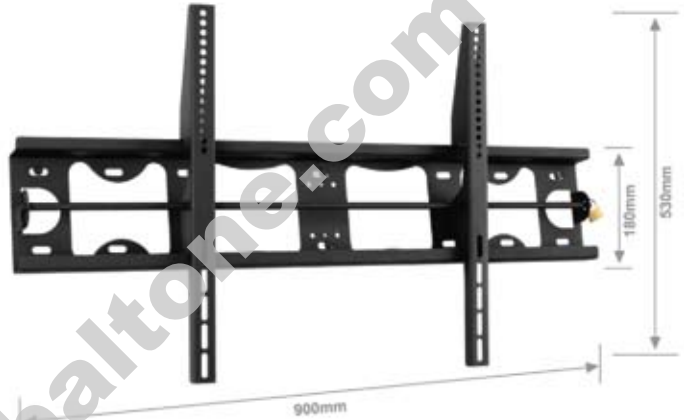
VESA
37"-63" 75KGS 700x300mm

GT3-3118

Lcd / Plasma Brackets

Fits most 37" to 63" screens
Supports up to 75 kg (165 lbs)
Includes lockable safety screws
Optional integrated bubble level

VESA
37"-63" 75KGS 900x180mm



GT3-3120

Lcd / Plasma Brackets

Fits most 37" to 63" screens
Supports up to 75 kg (165 lbs)
Includes lockable safety screws
Optional integrated bubble level

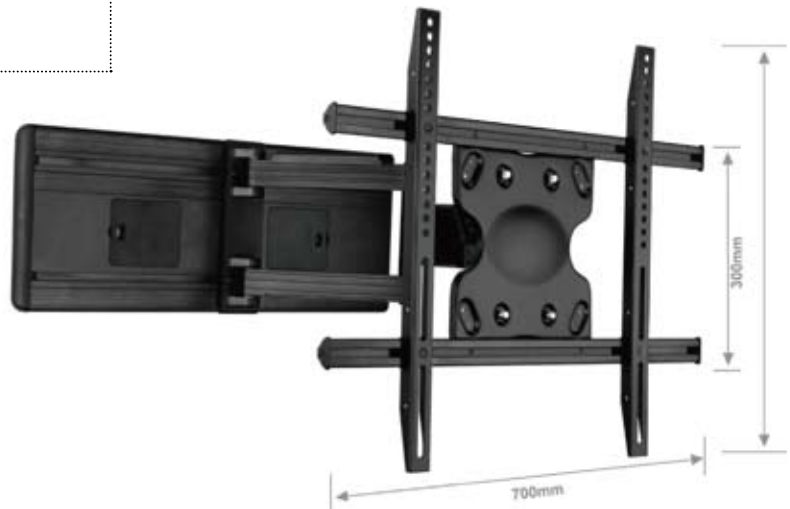
VESA
37"-63" 75KGS 700x300mm

GT3-3119

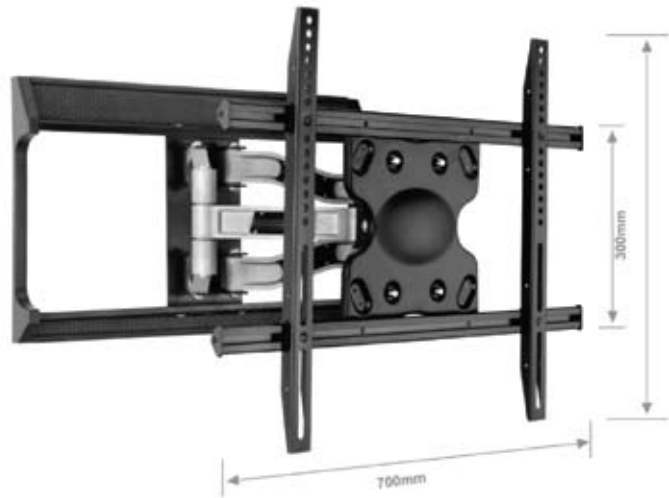
Lcd / Plasma Brackets

Fits most 37" to 63" screens
Supports up to 75 kg (165 lbs)
Includes lockable safety screws
Optional integrated bubble level

VESA
37"-63" 75KGS 900x180mm



LCD / PLASMA BRACKETS



GT3-3121

Lcd / Plasma Brackets

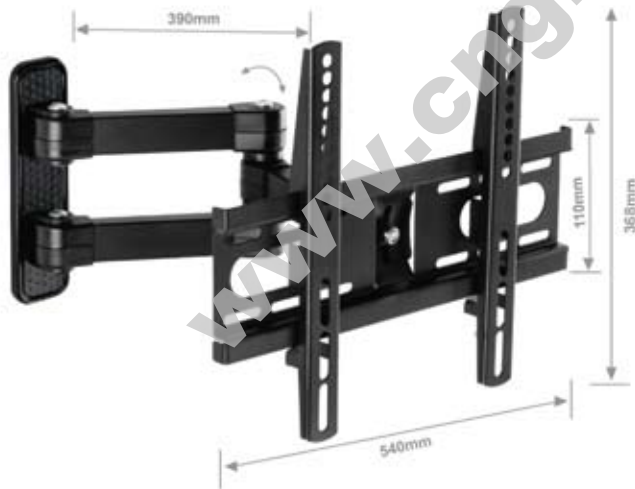
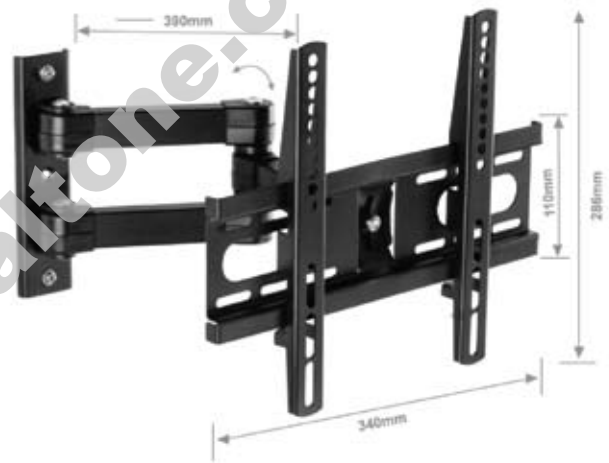
Fits most 37" to 63" screens
Supports up to 75 kg (165 lbs)
Includes lockable safety screws
Optional integrated bubble level



GT3-3122

Lcd / Plasma Brackets

Fits most 14" to 37" screens
Supports up to 35 kg (77 lbs)
Includes lockable safety screws
Optional integrated bubble level



GT3-3123

Lcd / Plasma Brackets

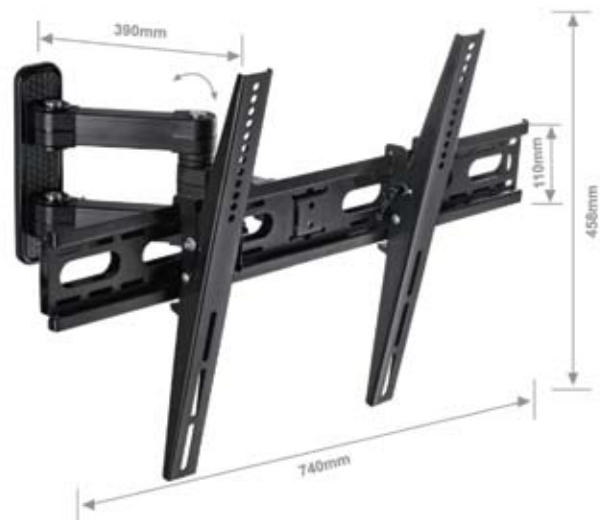
Fits most 22" to 42" screens
Supports up to 45 kg (99 lbs)
Includes lockable safety screws
Optional integrated bubble level



GT3-3124

Lcd / Plasma Brackets

Fits most 36" to 55" screens
Supports up to 75 kg (165 lbs)
Includes lockable safety screws
Optional integrated bubble level



LCD / PLASMA BRACKETS



GT3-3125

Fits most 10" to 25" screens
 Supports up to 20 kg (44 lbs)
 Mounting Pattern: 100mmx199mm
 Optional integrated bubble level



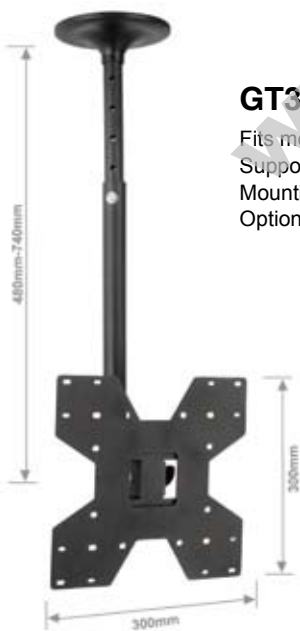
GT3-3126

Fits most 10" to 25" screens
 Supports up to 20 kg (44 lbs)
 Mounting Pattern: 100mmx100mm
 Optional integrated bubble level



GT3-3127

Fits most 10" to 30" screens
 Supports up to 30 kg (66 lbs)
 Mounting Pattern: 200mmx200mm
 Optional integrated bubble level



GT3-3128

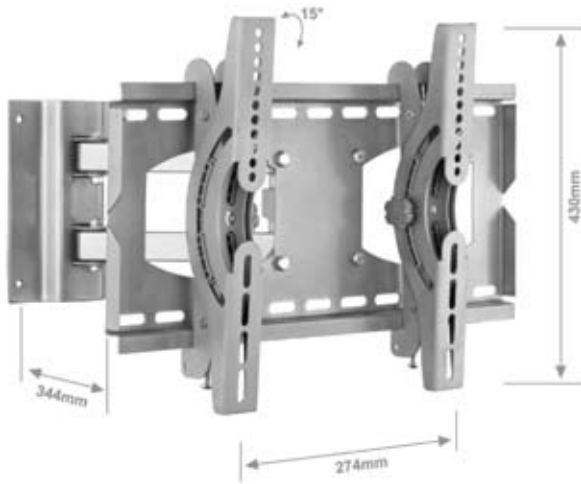
Fits most 10" to 37" screens
 Supports up to 35 kg (77 lbs)
 Mounting Pattern: 300mmx300mm
 Optional integrated bubble level



GT3-3129

Fits most 30" to 63" screens
 Supports up to 75 kg (165 lbs)
 Includes lockable safety screws
 Optional integrated bubble level

LCD / PLASMA BRACKETS



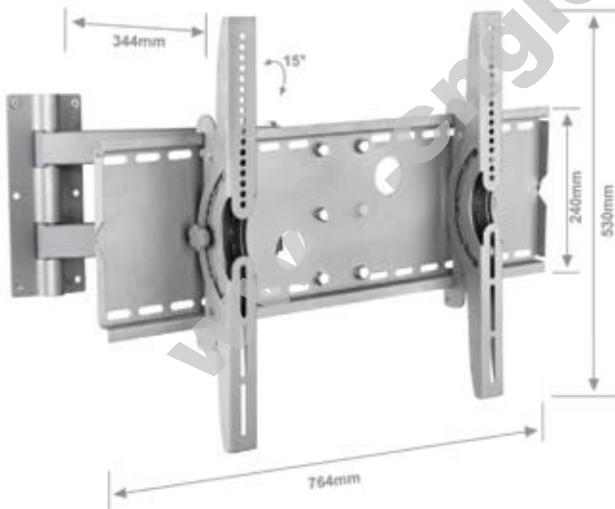
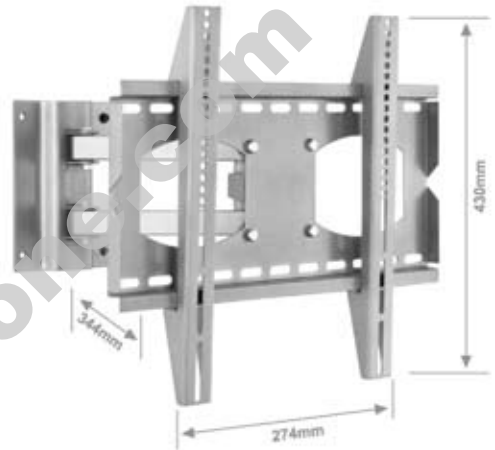
GT3-3131

Lcd / Plasma Brackets
 Fits most 23" to 37" screens
 Supports up to 50 kg (110 lbs)
 Includes lockable safety screws
 Optional integrated bubble level



GT3-3130

Lcd / Plasma Brackets
 Fits most 23" to 42" screens
 Supports up to 50 kg (110 lbs)
 Includes lockable safety screws
 Optional integrated bubble level



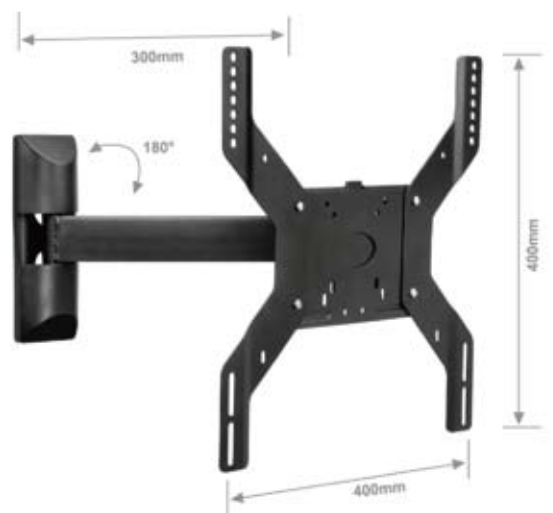
GT3-3133

Lcd / Plasma Brackets
 Fits most 10" to 42" screens
 Supports up to 35 kg (77 lbs)
 Mounting Pattern: 400mmx400mm(max)
 Optional integrated bubble level

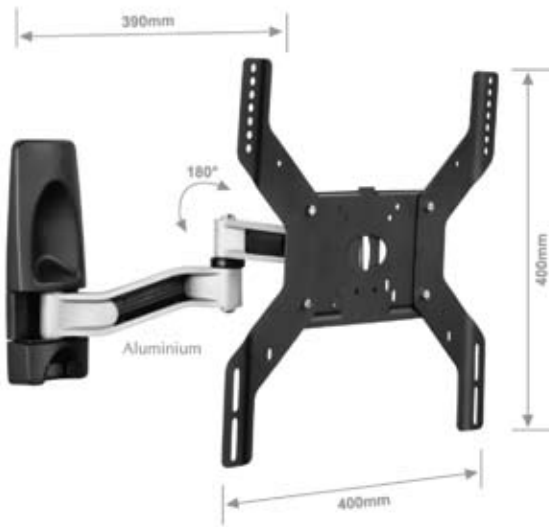


GT3-3132

Lcd / Plasma Brackets
 Fits most 30" to 63" screens
 Supports up to 75 kg (165 lbs)
 Includes lockable safety screws
 Optional integrated bubble level



LCD / PLASMA BRACKETS



GT3-3134

Lcd / Plasma Brackets

Fits most 10" to 42" screens
Supports up to 35 kg (77 lbs)
Mounting Pattern:400mmx400mm(max)
Optional integrated bubble level

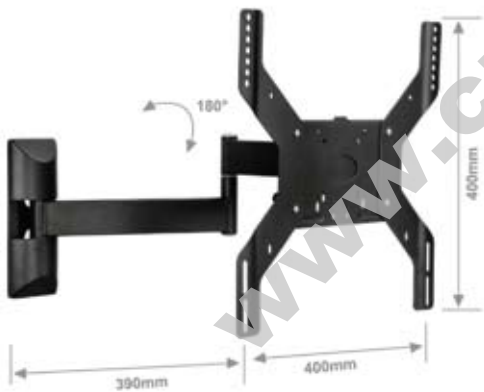
10"-42" 35KGS 390mm 400x400mm VESA

GT3-3135

Lcd / Plasma Brackets

Fits most 10" to 42" screens
Supports up to 35 kg (77 lbs)
Mounting Pattern:400mmx400mm(max)
Optional integrated bubble level

10"-42" 35KGS 300mm 400x400mm VESA



GT3-3136

Lcd / Plasma Brackets

Fits most 10" to 42" screens
Supports up to 35 kg (77 lbs)
Mounting Pattern:400mmx400mm(max)
Optional integrated bubble level

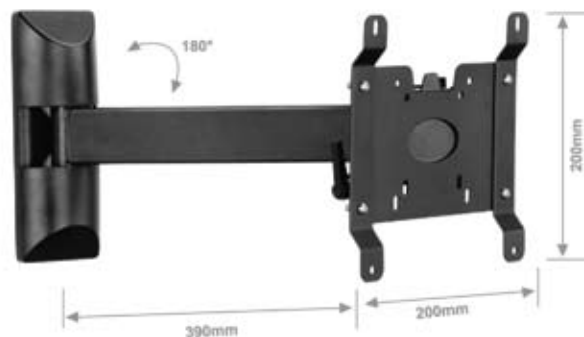
10"-42" 35KGS 390mm 400x400mm VESA

GT3-3137

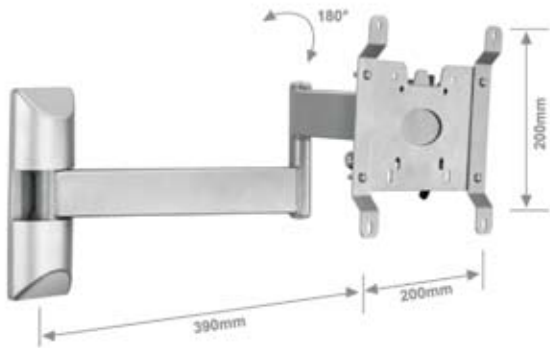
Lcd / Plasma Brackets

Fits most 10" to 30" screens
Supports up to 30 kg (66 lbs)
Mounting Pattern:200mmx200mm(max)
Optional integrated bubble level

10"-30" 30KGS 390mm 200x200mm VESA



LCD / PLASMA BRACKETS



GT3-3138

Lcd / Plasma Brackets

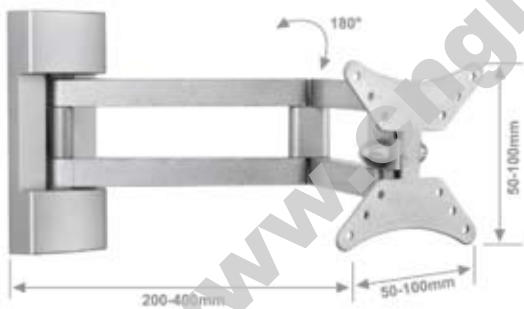
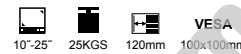
Fits most 10" to 30" screens
Supports up to 35 kg (77 lbs)
Mounting Pattern: 200mmx200mm(max)
Optional integrated bubble level



GT3-3139

Swivel Wall Mount

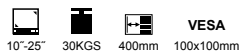
Fits most 10" to 25" screens
Supports up to 25 kg (55 lbs)
Mounting Pattern: 100mmx100mm(max)
Optional integrated bubble level



GT3-3140

Swivel Wall Mount

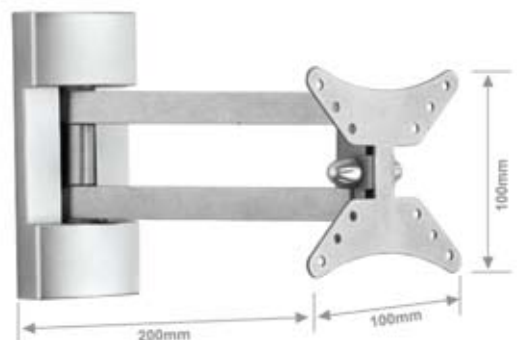
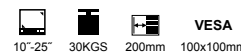
Fits most 10" to 25" screens
Supports up to 30 kg (66 lbs)
Mounting Pattern: 100mmx100mm(max)
Optional integrated bubble level



GT3-3141

Swivel Wall Mount

Fits most 10" to 25" screens
Supports up to 30 kg (66 lbs)
Mounting Pattern: 100mmx100mm(max)
Optional integrated bubble level




LCD / PLASMA BRACKETS



GT3-3143

Tilt Wall Mount

Fits most 10" to 25" screens
 Supports up to 20 kg (44 lbs)
 Mounting Pattern: 100mmx100mm(max)
 Optional integrated bubble level

 10"-25"
  20KGS
  92mm
  100x100mm

GT3-3142

Swivel Wall Mount

Fits most 10" to 25" screens
 Supports up to 25 kg (55 lbs)
 Mounting Pattern: 100mmx100mm(max)
 Optional integrated bubble level

 10"-25"
  25KGS
  100mm
  100x100mm



GT3-3145

Lcd / Plasma Brackets

Fits most 10" to 25" screens
 Supports up to 20 kg (44 lbs)
 Mounting Pattern: 100mmx100mm(max)
 Optional integrated bubble level

 10"-25"
  20KGS
  150mm
  100x100mm

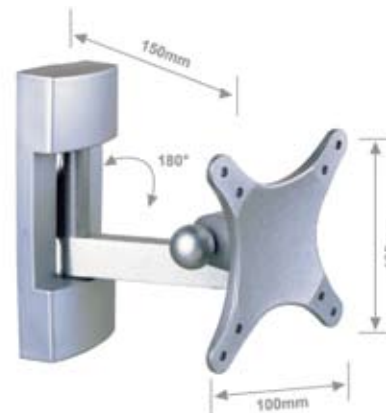


GT3-3144

Fixed Wall Mount

Fits most 10" to 30" screens
 Supports up to 30 kg (66 lbs)
 Mounting Pattern: 200mmx200mm(max)
 Optional integrated bubble level

 10"-30"
  30KGS
  200x200mm



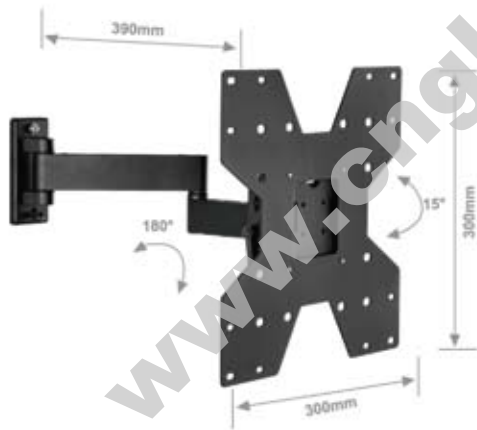
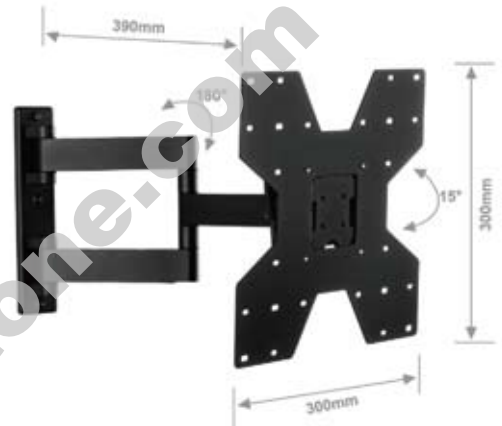
LCD / PLASMA BRACKETS



GT3-3146
 Lcd / Plasma Brackets
 Fits most 10" to 30" screens
 Supports up to 35 kg (77 lbs)
 Mounting Pattern:200mmx200mm(max)
 Optional integrated bubble level



GT3-3147
 Lcd / Plasma Brackets
 Fits most 10" to 37" screens
 Supports up to 35 kg (77 lbs)
 Mounting Pattern:300mmx300mm(max)
 Optional integrated bubble level



GT3-3148
 Lcd / Plasma Brackets
 Fits most 10" to 37" screens
 Supports up to 35 kg (77 lbs)
 Mounting Pattern:300mmx300mm(max)
 Optional integrated bubble level



GT3-3149
 Tilt Wall Mount
 Fits most 10" to 30" screens
 Supports up to 30 kg (66 lbs)
 Mounting Pattern:200mmx200mm(max)
 Optional integrated bubble level



LCD / PLASMA BRACKETS



GT3-3151

Lcd / Plasma Brackets

Fits most 10" to 30" screens
 Supports up to 30 kg (66 lbs)
 Mounting Pattern:200mmx200mm(max)
 Optional integrated bubble level




VESA
 10"-30" 30KGS 390mm 200x200mm

GT3-3150

Lcd / Plasma Brackets

Fits most 10" to 30" screens
 Supports up to 30 kg (66 lbs)
 Mounting Pattern:200mmx200mm(max)
 Optional integrated bubble level




VESA
 10"-30" 30KGS 300mm 200x200mm



GT3-3153

Lcd / Plasma Brackets

Fits most 10" to 30" screens
 Supports up to 30 kg (66 lbs)
 Mounting Pattern:200mmx200mm(max)
 Optional integrated bubble level




VESA
 10"-30" 30KGS 390mm 200x200mm



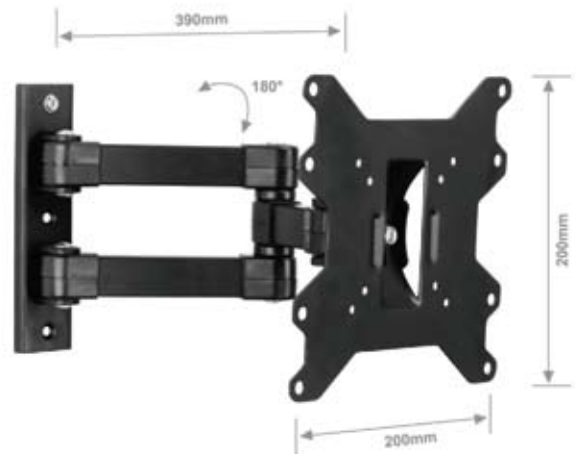
GT3-3152

Lcd / Plasma Brackets

Fits most 10" to 30" screens
 Supports up to 30 kg (66 lbs)
 Mounting Pattern:200mmx200mm(max)
 Optional integrated bubble level



VESA
 10"-30" 30KGS 200x200mm



LCD / PLASMA BRACKETS



GT3-3154

Suit For 14-21" TV
Maximum TV Weight 30 kg (66 lbs)
White or Black baked enamel finish



GT3-3155

Suit For 14-21" TV
Maximum TV Weight 30 kg (66 lbs)
White or Black baked enamel finish
With DVD bracket



GT3-3156

Suit For 20-29" TV
Maximum TV Weight 75 kg (165 lbs)
White or Black baked enamel finish



GT3-3157

Suit For 20-29" TV
Maximum TV Weight 75 kg (165 lbs)
White or Black baked enamel finish
With DVD bracket



GT3-3158

Suit For 14-21" TV
Maximum TV Weight 30 kg (66 lbs)
White or Black baked enamel finish



GT3-3159

Suit For 14-21" TV
Maximum TV Weight 30 kg (66 lbs)
White or Black baked enamel finish
With DVD bracket

LCD / PLASMA BRACKETS



GT3-3160

Suit For 20-29" TV
 Maximum TV Weight 75 kg (165 lbs)
 White or Black baked enamel finish



GT3-3161

Suit For 14-21" TV
 Maximum TV Weight 30 kg (66 lbs)
 White or Black baked enamel finish



GT3-3162

Suit For 20-29" TV
 Maximum TV Weight 75 kg (165 lbs)
 White or Black baked enamel finish



GT3-3163

Suit For 20-29" TV
 Maximum TV Weight 75 kg (165 lbs)
 White or Black baked enamel finish
 With DVD bracket



GT3-3164

Suit For 14-18" TV
 Maximum TV Weight 30 kg (66 lbs)
 White or Black baked enamel finish



GT3-3165

Suit For 14-18" TV
 Maximum TV Weight 30 kg (66 lbs)
 White or Black baked enamel finish
 With DVD bracket

LCD / PLASMA BRACKETS



GT3-3166

Suit For 14-29" TV
Maximum TV Weight 75 kg (165 lbs)
White or Black baked enamel finish



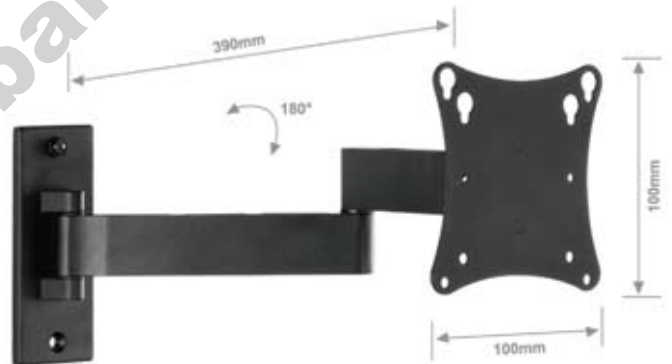
GT3-3167

Suit For 14-29" TV
Maximum TV Weight 75 kg (165 lbs)
White or Black baked enamel finish
With DVD bracket



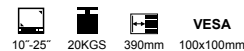
GT3-3168

Suit For 14-21" TV
Maximum boom box speaker 30 kg (66 lbs)
White or Black baked enamel finish
With DVD bracket



GT3-3169

Lcd / Plasma Brackets
Fits most 10" to 25" screens
Supports up to 20 kg (44 lbs)
Mounting Pattern: 100mmx100mm(max)
Optional integrated bubble level



GT3-3170
For Two VCD

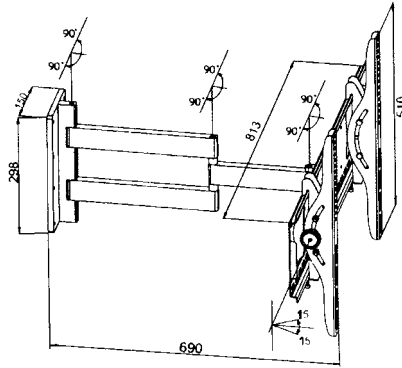
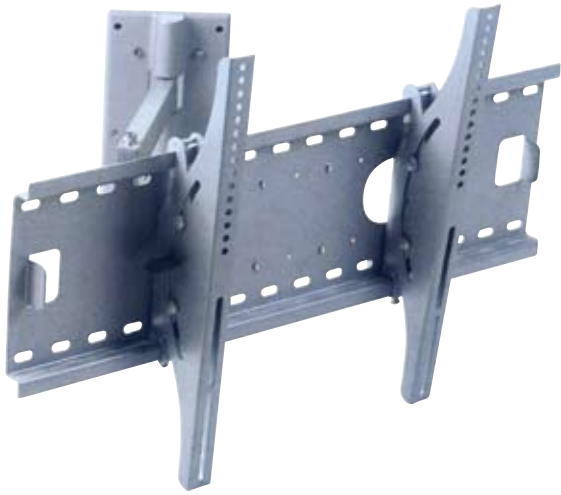


GT3-3171
For Two Thinner VCD



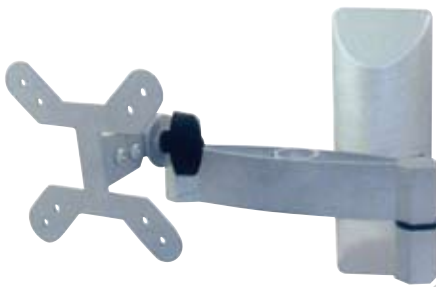
GT3-3172
For One VCD

LCD / PLASMA BRACKETS

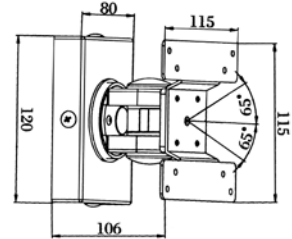
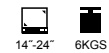


GT3-3201

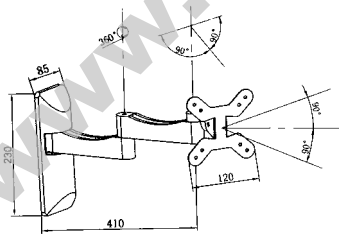
Universal plasma support with Dual-Pivot suitable for 30-50inch display extend the range of viewing options, wall mount will tilt and turn to face almost anywhere in the room. provide a wide range of setup options, save room space by keeping the distance from plasma to the wall at a min when needed or when not in use.



GT3-3202



GT3-3203

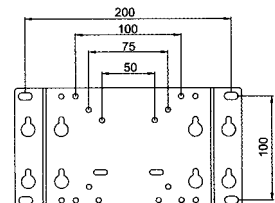
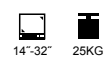


GT3-3205

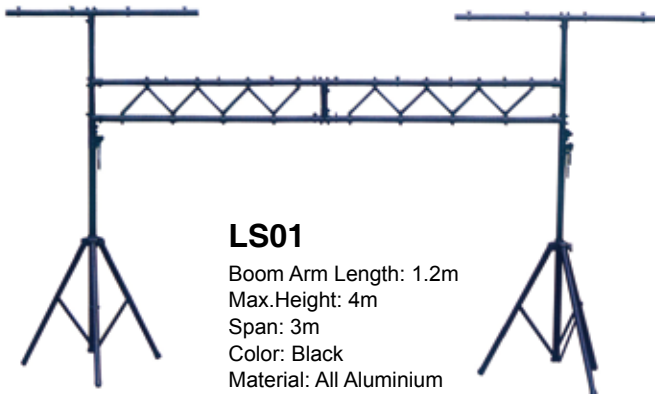
Height:30cm
Max load:15kg



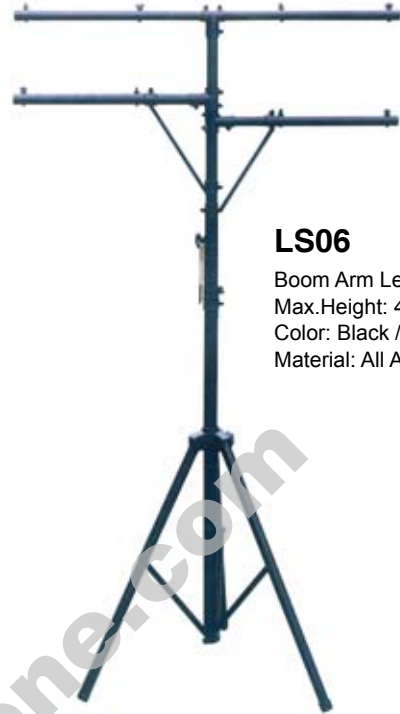
GT3-3204



LIGHT STAND & ACCESSORY



LS01
 Boom Arm Length: 1.2m
 Max.Height: 4m
 Span: 3m
 Color: Black
 Material: All Aluminium



LS06
 Boom Arm Length: 1.2m
 Max.Height: 4m
 Color: Black / White
 Material: All Aluminium



LS12
 Max.Height: 3m
 Span: 3m
 Color: Black
 Material: All Metal



LS08
 Max.Height: 3m
 Span: 3m
 Color: Black
 Material: All Metal



LS15
 Boom Arm Length: 1.2m
 Max.Height: 3m
 Color: Black
 Material: All Metal



LS09
 Max.Height: 3m
 Span: 3m
 Color: Black
 Material: All Aluminium

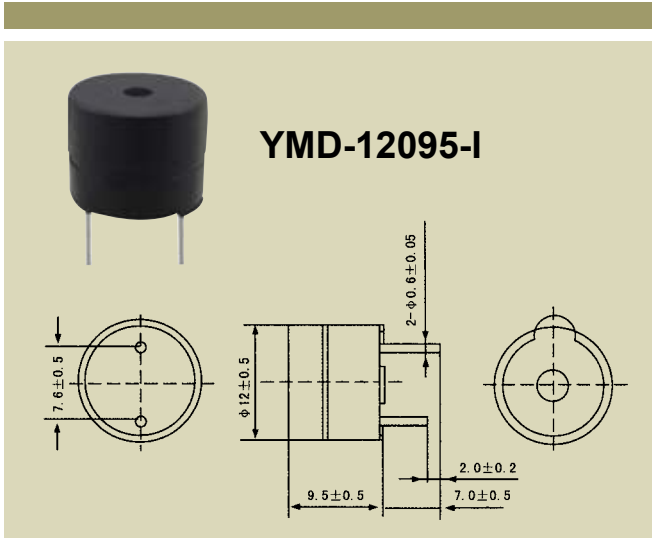


MP1 Φ 60mm



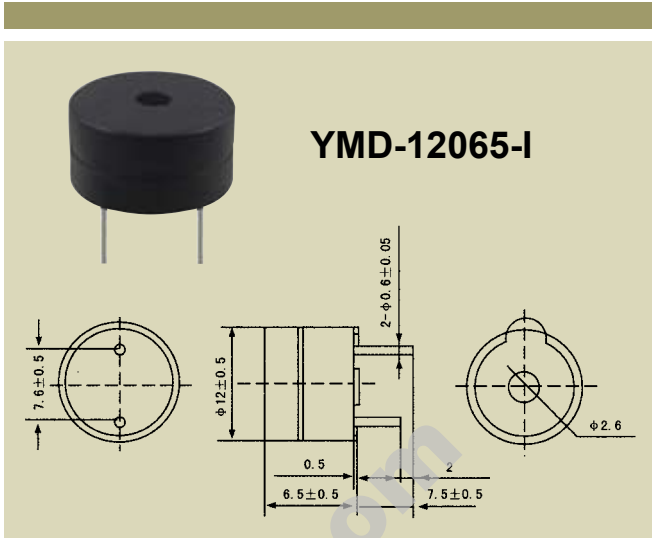
MP2 Φ 60mm

BUZZER



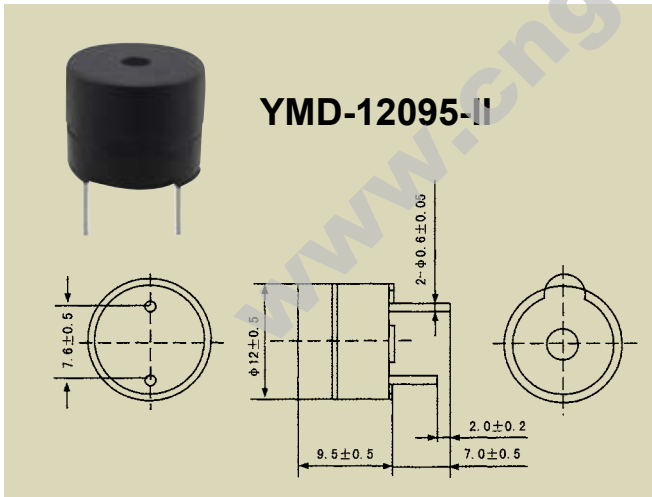
YMD-12095-I

Type	YMD-12095- I					
Rated Voltage(V)	1.5	3	6	9	12	24
Voltage Range(V)	1.3~2.5	2.5~4	4~8	8~10	10~13	15~28
Rated Current(mA)	≤20	≤35	≤32	≤20	≤25	≤42
Sound Output(dB)	≥80	≥85	≥85	≥85	≥85	≥85
Resonant Freq(Hz)	2300±300	2300±300	2300±300	2300±300	2300±300	2300±300
Operating Temp(°C)	-20~+45	-20~+45	-20~+45	-20~+45	-20~+45	-20~+45
Storage Temp(°C)	-20~+60	-20~+60	-20~+60	-20~+60	-20~+60	-20~+60
Weight(g)	2	2	2	2	2	2



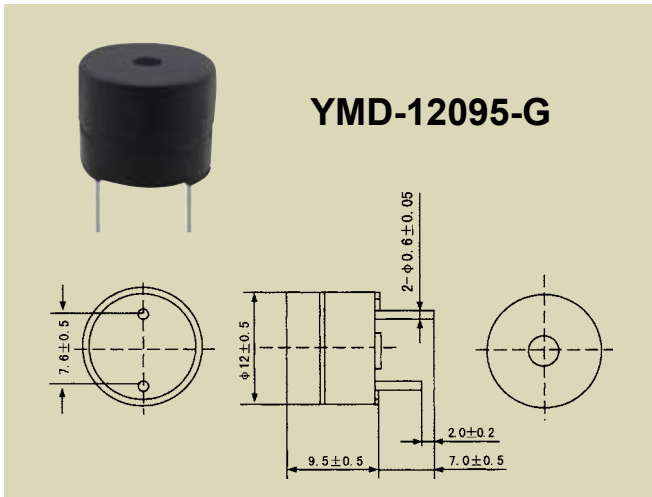
YMD-12065-I

Type	YMD-12065- I					
Rated Voltage(V)	1.5	3	5	6	9	12
Voltage Range(V)	1.2~2.5	2.5~4	4~7	5~8	8~11	10~13
Rated Current(mA)	≤20	≤35	≤28	≤32	≤20	≤25
Sound Output(dB)	≥80	≥85	≥85	≥85	≥85	≥85
Resonant Freq(Hz)	2600±300	2600±300	2600±300	2600±300	2600±300	2600±300
Operating Temp(°C)	-20~+45	-20~+45	-20~+45	-20~+45	-20~+45	-20~+45
Storage Temp(°C)	-20~+60	-20~+60	-20~+60	-20~+60	-20~+60	-20~+60
Weight(g)	1.5	1.5	1.5	1.5	1.5	1.5



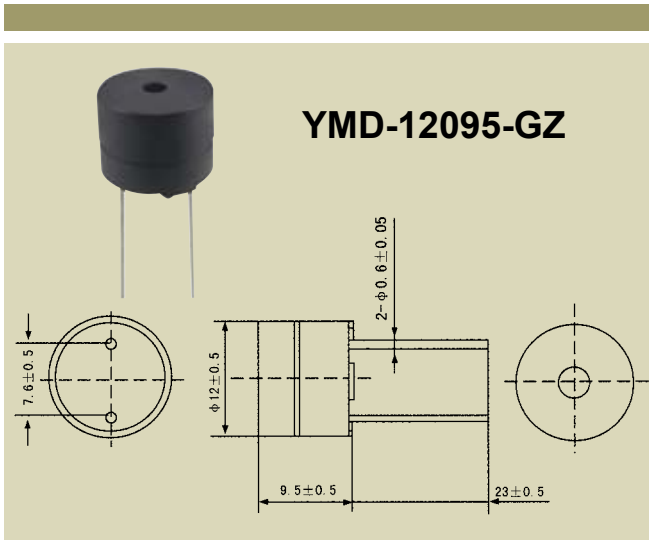
YMD-12095-II

Type	YMD-12095-II					
Rated Voltage(V)	1.5	3	5	6	9	12
Voltage Range(V)	1.2~2.5	2.5~4	4~7	5~8	8~10	10~13
Rated Current(mA)	≤15	≤25	≤28	≤35	≤22	≤28
Sound Output(dB)	≥80	≥85	≥85	≥85	≥85	≥85
Resonant Freq(Hz)	2300±300	2300±300	2300±300	2300±300	2300±300	2300±300
Operating Temp(°C)	-20~+45	-20~+45	-20~+45	-20~+45	-20~+45	-20~+45
Storage Temp(°C)	-20~+60	-20~+60	-20~+60	-20~+60	-20~+60	-20~+60
Weight(g)	2	2	2	2	2	2



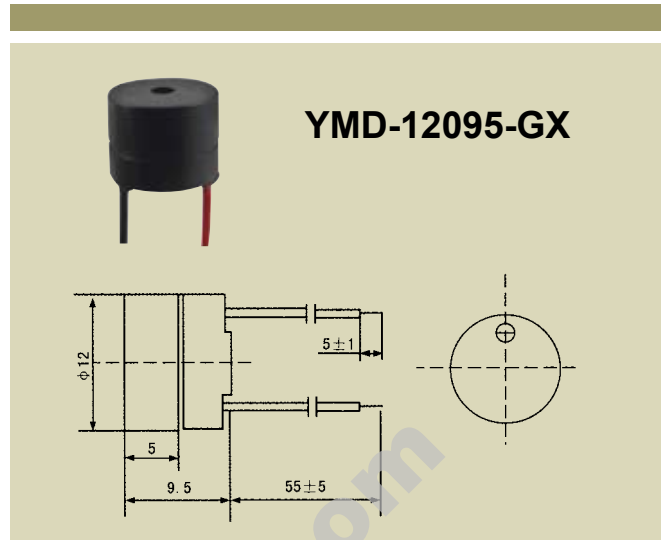
YMD-12095-G

Type	YMD-12095-G					
Rated Voltage(V)	1.5	3	6	9	12	24
Voltage Range(V)	1.3~2.5	2.5~4	4~8	8~10	10~13	15~28
Rated Current(mA)	≤20	≤35	≤32	≤20	≤25	≤45
Sound Output(dB)	≥80	≥85	≥85	≥85	≥85	≥85
Resonant Freq(Hz)	2300±300	2300±300	2300±300	2300±300	2300±300	2300±300
Operating Temp(°C)	-20~+45	-20~+45	-20~+45	-20~+45	-20~+45	-20~+45
Storage Temp(°C)	-20~+60	-20~+60	-20~+60	-20~+60	-20~+60	-20~+60
Weight(g)	2	2	2	2	2	2



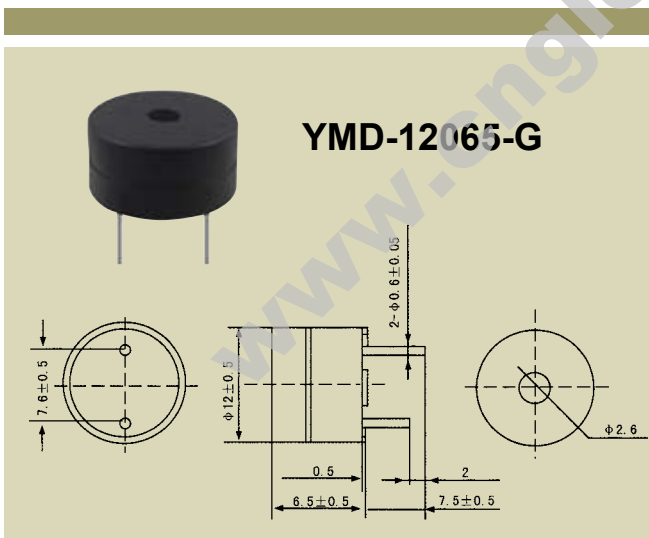
YMD-12095-GZ

Type	YMD-12095-GZ					
Rated Voltage(V)	1.5	3	6	9	12	24
Voltage Range(V)	1.3~2.5	2.5~4	4~8	8~10	10~13	15~28
Rated Current(mA)	≤20	≤35	≤32	≤20	≤25	≤45
Sound Output(dB)	≥80	≥85	≥85	≥85	≥85	≥85
Resonant Freq(Hz)	2300±300	2300±300	2300±300	2300±300	2300±300	2300±300
Operating Temp(°C)	-20~+45	-20~+45	-20~+45	-20~+45	-20~+45	-20~+45
Storage Temp(°C)	-20~+60	-20~+60	-20~+60	-20~+60	-20~+60	-20~+60
Weight(g)	2	2	2	2	2	2



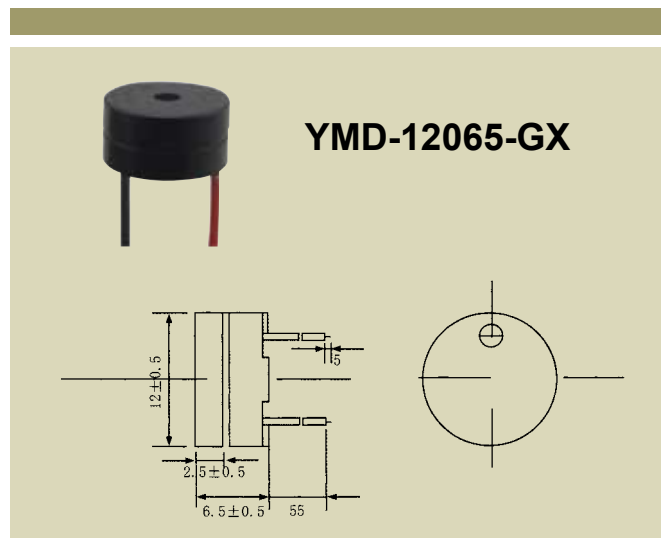
YMD-12095-GX

Type	YMD-12095-GX					
Rated Voltage(V)	1.5	3	6	9	12	24
Voltage Range(V)	1.3~2.5	2.5~4	4~8	8~10	10~13	15~28
Rated Current(mA)	≤20	≤35	≤32	≤20	≤25	≤45
Sound Output(dB)	≥80	≥85	≥85	≥85	≥85	≥85
Resonant Freq(Hz)	2300±300	2300±300	2300±300	2300±300	2300±300	2300±300
Operating Temp(°C)	-20~+45	-20~+45	-20~+45	-20~+45	-20~+45	-20~+45
Storage Temp(°C)	-20~+60	-20~+60	-20~+60	-20~+60	-20~+60	-20~+60
Weight(g)	2	2	2	2	2	2



YMD-12065-G

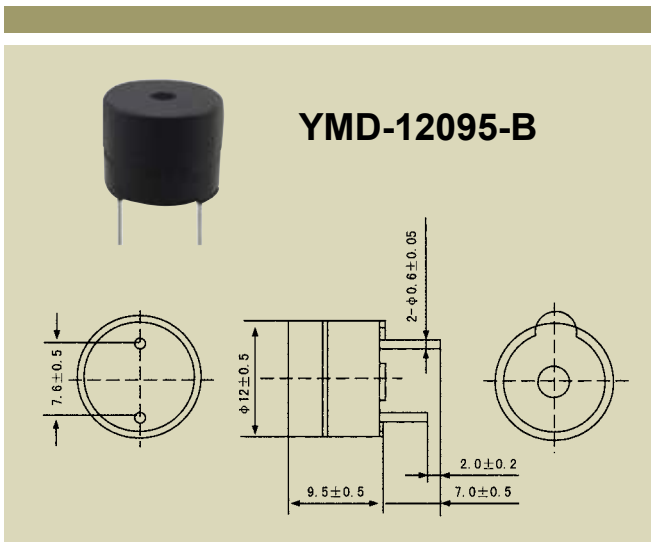
Type	YMD-12065-G					
Rated Voltage(V)	1.5	3	5	6	9	12
Voltage Range(V)	1.2~2.5	2.5~4	4~7	5~8	8~11	10~13
Rated Current(mA)	≤20	≤35	≤28	≤32	≤20	≤25
Sound Output(dB)	≥80	≥85	≥85	≥85	≥85	≥85
Resonant Freq(Hz)	2600±300	2600±300	2600±300	2600±300	2600±300	2600±300
Operating Temp(°C)	-20~+45	-20~+45	-20~+45	-20~+45	-20~+45	-20~+45
Storage Temp(°C)	-20~+60	-20~+60	-20~+60	-20~+60	-20~+60	-20~+60
Weight(g)	1.5	1.5	1.5	1.5	1.5	1.5



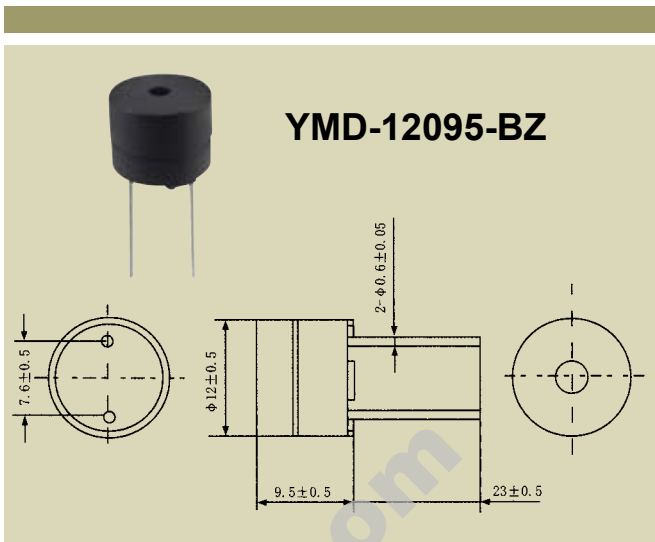
YMD-12065-GX

Type	YMD-12065-GX					
Rated Voltage(V)	1.5	3	5	6	9	12
Voltage Range(V)	1.2~2.5	2.5~4	4~7	5~8	8~11	10~13
Rated Current(mA)	≤20	≤35	≤28	≤32	≤20	≤25
Sound Output(dB)	≥80	≥85	≥85	≥85	≥85	≥85
Resonant Freq(Hz)	2600±300	2600±300	2600±300	2600±300	2600±300	2600±300
Operating Temp(°C)	-20~+45	-20~+45	-20~+45	-20~+45	-20~+45	-20~+45
Storage Temp(°C)	-20~+60	-20~+60	-20~+60	-20~+60	-20~+60	-20~+60
Weight(g)	1.5	1.5	1.5	1.5	1.5	1.5

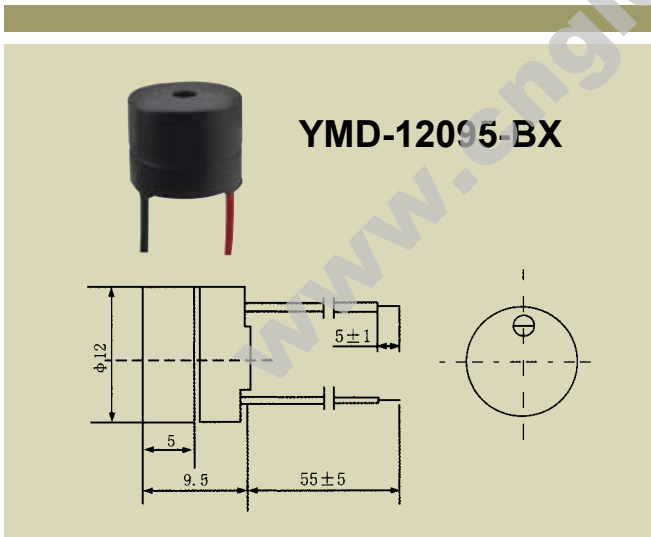
BUZZER



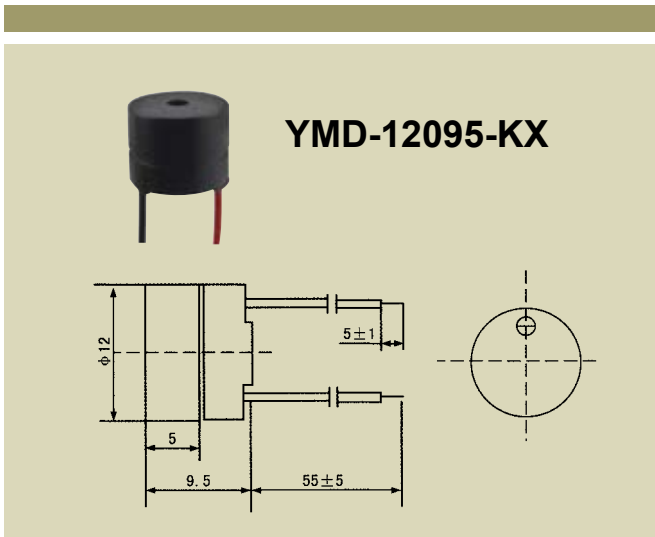
Type	YMD-12095-B				
Rated Voltage(V)	6	12	24	36	48
Voltage Range(V)	4~8	10~13	15~28	24~37	36~49
Rated Current(mA)	≤40	≤65	≤45	≤65	≤40
Sound Output(dB)	≥90	≥90	≥90	≥90	≥90
Resonant Freq(Hz)	2300±300	2300±300	2300±300	2300±300	2300±300
Operating Temp(°C)	-20~+40	-20~+40	-20~+40	-20~+40	-20~+40
Storage Temp(°C)	-20~+60	-20~+60	-20~+60	-20~+60	-20~+60
Weight(g)	2	2	2	2	2



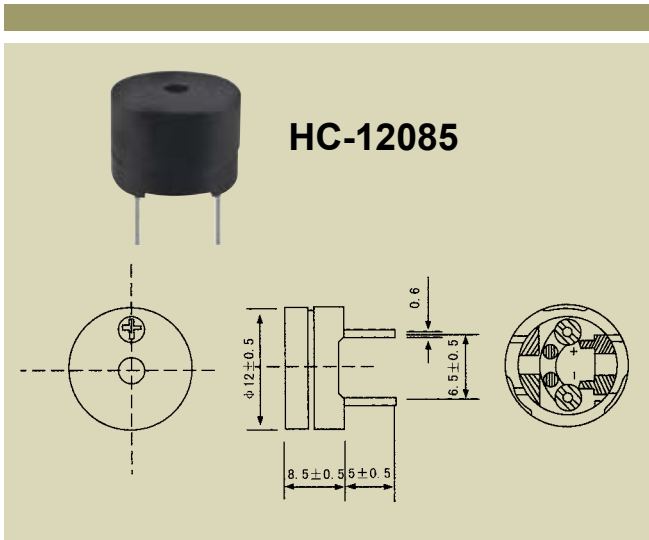
Type	YMD-12095-BZ		
Rated Voltage(V)	6	12	24
Voltage Range(V)	4~8	10~13	15~28
Rated Current(mA)	≤40	≤75	≤45
Sound Output(dB)	≥90	≥90	≥90
Resonant Freq(Hz)	2300±300	2300±300	2300±300
Operating Temp(°C)	-20~+40	-20~+40	-20~+40
Storage Temp(°C)	-20~+60	-20~+60	-20~+60
Weight(g)	2	2	2



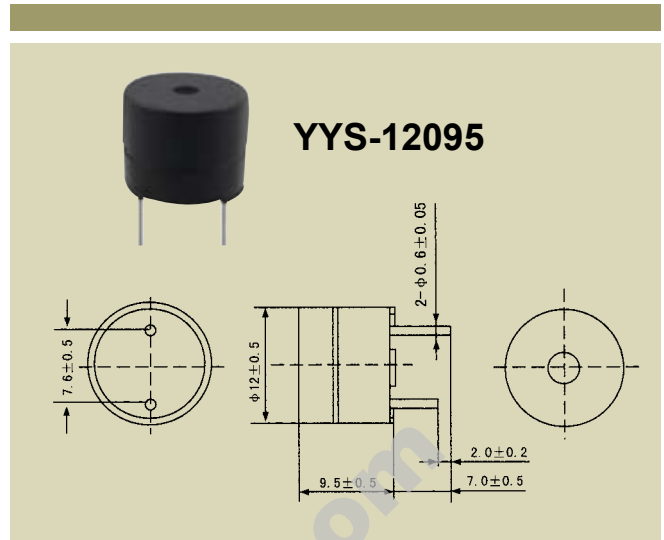
Type	YMD-12095-BX		
Rated Voltage(V)	6	12	24
Voltage Range(V)	5-12	8~15	15~28
Rated Current(mA)	≤40	≤65	≤45
Sound Output(dB)	≥92	≥95	≥90
Resonant Freq(Hz)	2300±300	2300±300	2300±300
Operating Temp(°C)	-20~+40	-20~+40	-20~+40
Storage Temp(°C)	-20~+60	-20~+60	-20~+60
Weight(g)	2	2	2



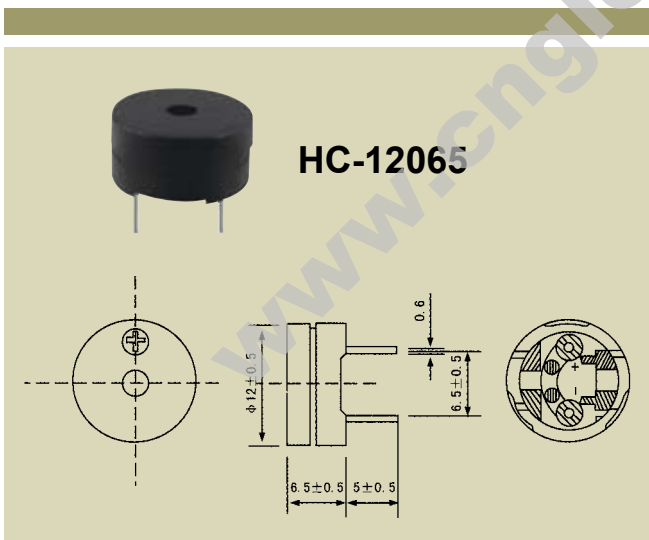
Type	YMD-12095-KX					
Rated Voltage(V)	3	6	9	12	24	36
Voltage Range(V)	2.5~4	4~8	8~10	10~13	15~28	30~45
Rated Current(mA)	≤35	≤32	≤20	≤25	≤45	≤65
Sound Output(dB)	≥85	≥85	≥85	≥85	≥85	≥90
Resonant Freq(Hz)	2300±300	2300±300	2300±300	2300±300	2300±300	2300±300
Operating Temp(°C)	-20~+45	-20~+45	-20~+45	-20~+45	-20~+40	-20~+40
Storage Temp(°C)	-20~+60	-20~+60	-20~+60	-20~+60	-20~+60	-20~+60
Weight(g)	2	2	2	2	2	2



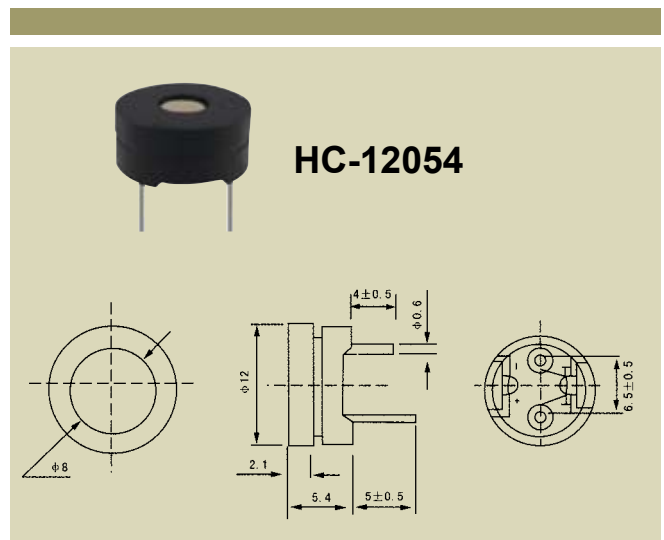
Type	HC-12085				
	6.5Ω	8Ω	16Ω	42Ω	60Ω
Rated Voltage(V)	1.5	1.5	1.5	1.5	1.5
Rated Current(mA)	≤70	≤60	≤30	≤15	≤10
Coil Resistance(Ω)	6.5±1	8±1	16±1	42±2	60±2
Sound Output(dB)	≥85	≥85	≥85	≥80	≥75
Resonant Freq(Hz)	2048	2048	2048	2048	2048
Operating Temp(°C)	-20~+45	-20~+45	-20~+45	-20~+45	-20~+45
Storage Temp(°C)	-20~+60	-20~+60	-20~+60	-20~+60	-20~+60
Weight(g)	1.5	1.5	1.5	1.5	1.5



Type	YY5-12095					
	Song Name	Für Elise	Lambda	Christmas	Titanic	Sweet Home
Rated Voltage(V)	3	3	3	3	3	3
Voltage Range(V)	2.5~3.5	2.5~3.5	2.5~3.5	2.5~3.5	2.5~3.5	2.5~3.5
Rated Current(mA)	≤45	≤45	≤45	≤45	≤45	≤45
Sound Output(dB)	≥85	≥85	≥85	≥85	≥85	≥85
Resonant Freq(Hz)	2000±200	2000±200	2000±200	2000±200	2000±200	2000±200
Operating Temp(°C)	-20~+45	-20~+45	-20~+45	-20~+45	-20~+45	-20~+45
Storage Temp(°C)	-20~+60	-20~+60	-20~+60	-20~+60	-20~+60	-20~+60
Weight(g)	2	2	2	2	2	2



Type	HC-12065			
	6.5Ω	8Ω	16Ω	42Ω
Rated Voltage(V)	1.5	1.5	1.5	1.5
Rated Current(mA)	≤70	≤60	≤30	≤15
Coil Resistance(Ω)	6.5±1	8±1	16±1	42±2
Sound Output(dB)	≥85	≥85	≥85	≥80
Resonant Freq(Hz)	2048	2048	2048	2048
Operating Temp(°C)	-20~+45	-20~+45	-20~+45	-20~+45
Storage Temp(°C)	-20~+60	-20~+60	-20~+60	-20~+60
Weight(g)	1.4	1.4	1.4	1.4

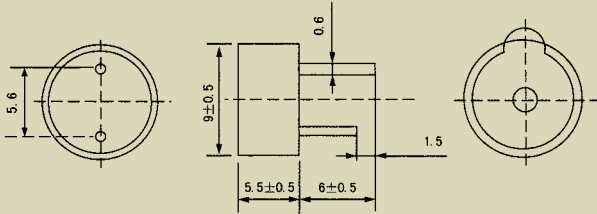


Type	HC-12054			
	6.5Ω	8Ω	16Ω	42Ω
Rated Voltage(V)	1.5	1.5	1.5	1.5
Rated Current(mA)	≤70	≤60	≤30	≤15
Coil Resistance(Ω)	6.5±1	8±1	16±1	42±2
Sound Output(dB)	≥85	≥85	≥85	≥80
Resonant Freq(Hz)	2048	2048	2048	2048
Operating Temp(°C)	-20~+45	-20~+45	-20~+45	-20~+45
Storage Temp(°C)	-20~+60	-20~+60	-20~+60	-20~+60
Weight(g)	1.4	1.4	1.4	1.4

BUZZER



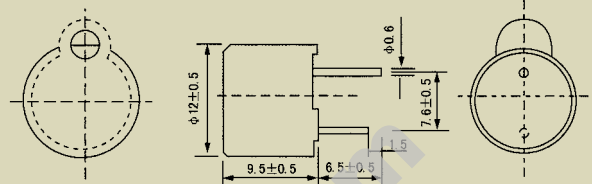
HC-09-B



Type	HC-09-B			
Rated Voltage(V)	1.5	1.5	1.5	3
Voltage Range (V)	1~3	1~3	1~3	3~5
Rated Current(mA)	≤85	≤65	≤45	≤35
Coil Resistance(Ω)	5.5	8	16	42
Sound Output(dB)	≥75	≥75	≥80	≥80
Resonant Freq(Hz)	2731	2731	2731	2731
Operating Temp(°C)	-20~+60	-20~+60	-20~+60	-20~+60
Storage Temp(°C)	-30~+70	-30~+70	-30~+70	-30~+70
Weight(g)	1	1	1	1



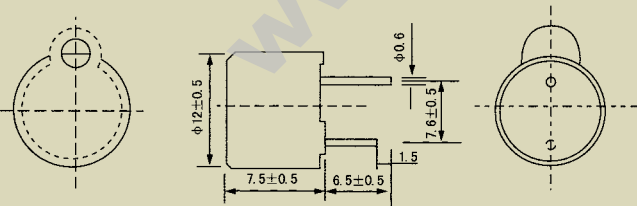
TMB12A



Type	TMB-12A01	TMB-12A03	TMB-12A05	TMB-12A12	TMB-12A24	TMB-12A24
Rated Voltage(V)	1.5	3	5	12	24	24
Voltage Range(V)	1.2~2.5	2.5~4	4~7	8~15	15~28	15~28
Rated Current(mA)	≤20	≤35	≤30	≤25	≤45	≤30
Sound Output(dB)	≥80	≥82	≥85	≥85	≥85	≥85
Resonant Freq(Hz)	2300±500	2300±500	2300±500	2300±500	2300±500	2300±500
Operating Temp(°C)	-20~+60	-20~+60	-20~+60	-20~+60	-20~+75	-20~+75
Storage Temp(°C)	-20~+80	-20~+80	-20~+80	-20~+80	-20~+85	-20~+85
Weight(g)	2	2	2	2	2	2



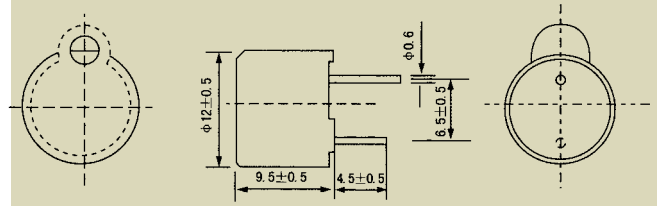
TMB12D



Type	TMB-12D01	TMB-12D03	TMB-12D05	TMB-12D012
Rated Voltage(V)	1.5	3	5	12
Voltage Range (V)	1.4~2	2~5	3~7	9~15
Rated Current(mA)	≤25	≤35	≤30	≤25
Sound Output(dB)	≥75	≥82	≥83	≥83
Resonant Freq(Hz)	2800±500	2800±500	2800±500	2800±500
Operating Temp(°C)	-20~+60	-20~+60	-20~+60	-20~+60
Storage Temp(°C)	-25~+80	-25~+80	-25~+80	-25~+80
Weight(g)	2	2	2	2



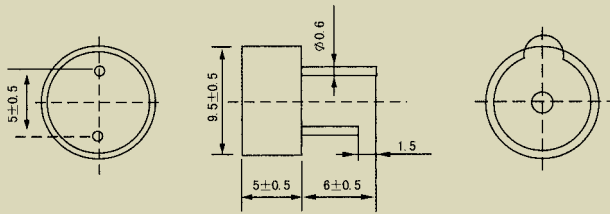
TMB12C



Type	TMB-12C01	TMB-12C05	TMB-12C12
Rated Voltage(V)	1.5	5	12
Voltage Range(V)	1-2	4~8	7~16
Rated Current(mA)	≤70	≤40	≤40
Coil Resistance(Ω)	16±2	40±5	120±5
Sound Output(dB)	≥85	≥85	≥85
Resonant Freq(Hz)	2048	2300±200	2048
Operating Temp(°C)	-20~+60	-20~+60	-20~+60
Storage Temp(°C)	-20~+70	-20~+70	-20~+70
Weight(g)	2	2	2



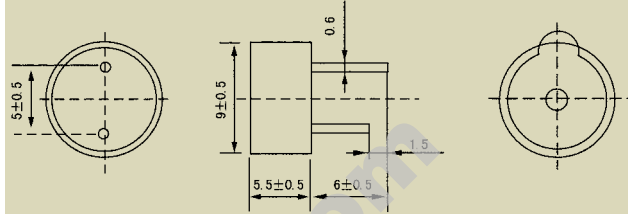
TMB9.5A



Type	TMB9.5A		
Rated Voltage(V)	3	5	12
Voltage Range(V)	2.5-4	4~7	8~15
Rated Current(mA)	≤35	≤30	≤30
Sound Output(dB)	≥80	≥83	≥85
Resonant Freq(Hz)	2600 ± 300	2600 ± 300	2600 ± 300
Operating Temp(°C)	-20~+60	-20~+60	-20~+60
Storage Temp(°C)	-20~+70	-20~+70	-20~+70
Weight(g)	1	1	1



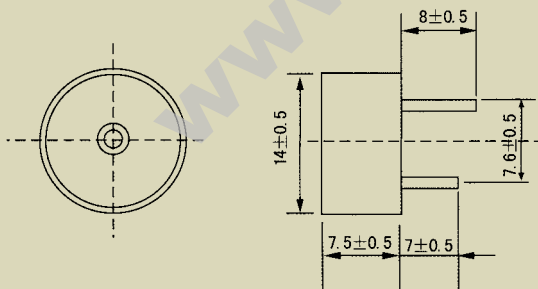
TMB09A



Type	TMB09A		
Rated Voltage(V)	3	5	12
Voltage Range(V)	2.5-4	4~7	8~15
Rated Current(mA)	≤35	≤30	≤30
Sound Output(dB)	≥80	≥83	≥85
Resonant Freq(Hz)	2600 ± 300	2600 ± 300	2600 ± 300
Operating Temp(°C)	-20~+60	-20~+60	-20~+60
Storage Temp(°C)	-20~+70	-20~+70	-20~+70
Weight(g)	1	1	1



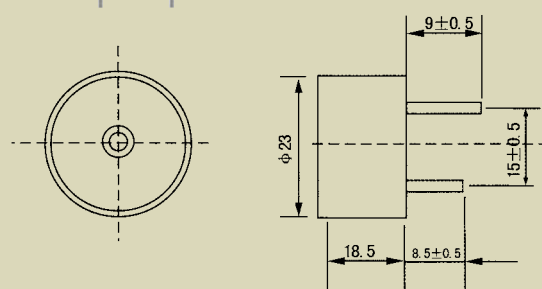
SFM-14-I



Type	SFM-14-I
Rated Voltage(V)	12
Voltage Range(V)	3-24
Rated Current(mA)	≤10
Sound Output(dB)	≥80
Resonant Freq(Hz)	4500 ± 500
Operating Temp(°C)	-20~+60
Storage Temp(°C)	-30~+70
Weight(g)	2

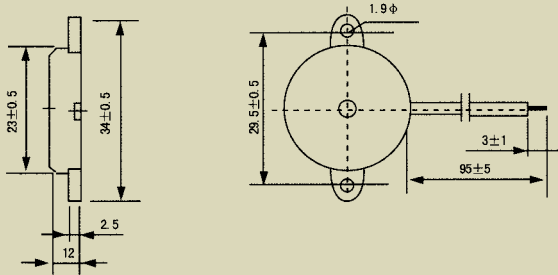
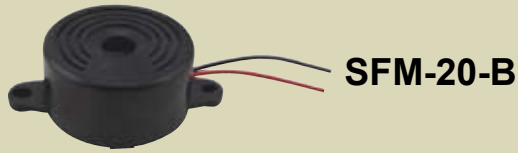


SFM-20-A

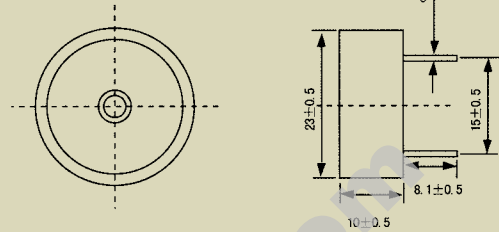


Type	SFM-20-A
Rated Voltage(V)	12
Voltage Range(V)	3-24
Rated Current(mA)	≤20
Sound Output(dB)	≥90
Resonant Freq(Hz)	3000 ± 500
Operating Temp(°C)	-20~+45
Storage Temp(°C)	-20~+60
Weight(g)	5.5

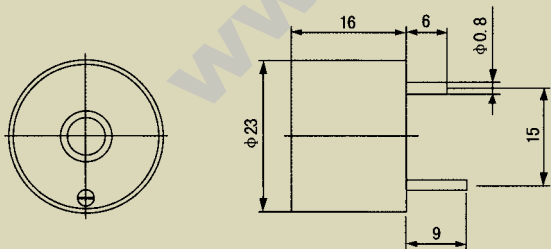
BUZZER



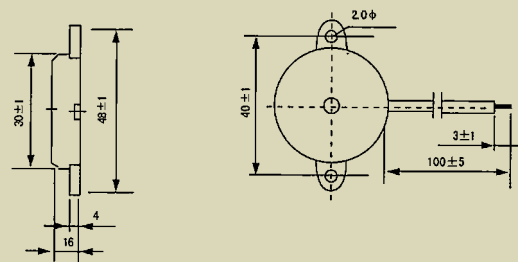
Type	SFM-20-B
Rated Voltage(V)	12
Voltage Range(V)	3-24
Rated Current(mA)	≤12
Sound Output(dB)	≥90
Resonant Freq(Hz)	3000 ± 500
Operating Temp(°C)	-20~+45
Storage Temp(°C)	-20~+60
Weight(g)	4



Type	SFM-20-C
Rated Voltage(V)	12
Voltage Range(V)	6-24
Rated Current(mA)	≤10
Sound Output(dB)	≥90
Resonant Freq(Hz)	3000 ± 500
Operating Temp(°C)	-20~+45
Storage Temp(°C)	-20~+60
Weight(g)	3.5

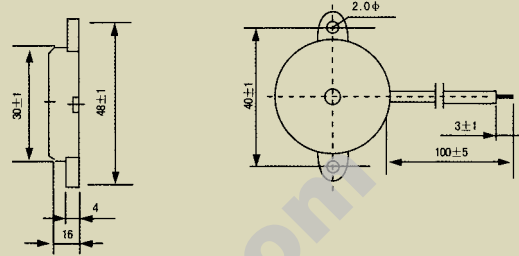
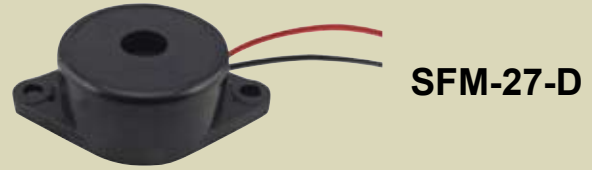
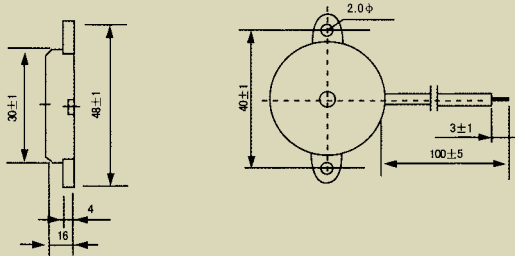


Type	SFM-20-D
Rated Voltage(V)	12
Voltage Range(V)	3-24
Rated Current(mA)	≤15
Sound Output(dB)	≥85
Resonant Freq(Hz)	4500 ± 500
Operating Temp(°C)	-20~+60
Storage Temp(°C)	-20~+70
Weight(g)	8



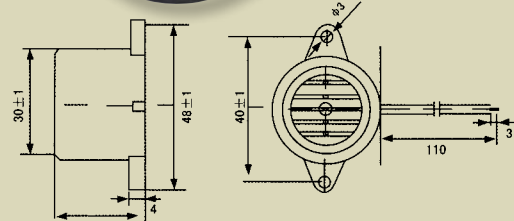
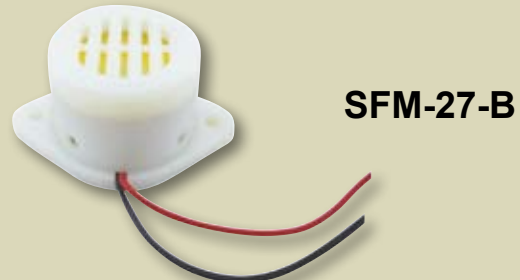
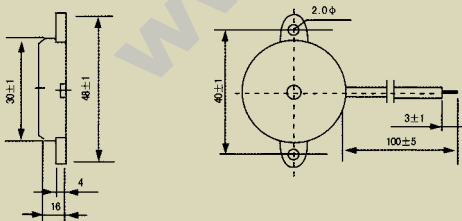
Type	SFM27-IA	SFM27-IIA
Rated Voltage(V)	12	12
Voltage Range(V)	3-24	3-24
Rated Current(mA)	≤12	≤30
Sound Output(dB)	≥95	≥90
Resonant Freq(Hz)	3000 ± 500	3000 ± 500
Operating Temp(°C)	-20~+60	-20~+60
Storage Temp(°C)	-30~+70	-30~+70
Weight(g)	7	7.5

BUZZER



Type	SFM-27-W
Rated Voltage(V)	12
Voltage Range(V)	3-24
Rated Current(mA)	≤12
Sound Output(dB)	≥95
Resonant Freq(Hz)	3000 ± 500
Operating Temp(°C)	-20~+60
Storage Temp(°C)	-30~+70
Weight(g)	7

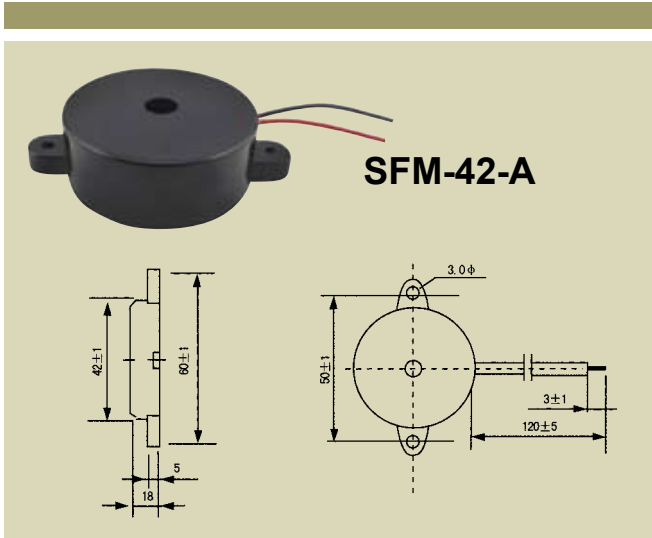
Type	SFM-27-D
Rated Voltage(V)	12
Voltage Range(V)	3-24
Rated Current(mA)	≤12
Sound Output(dB)	≥95
Resonant Freq(Hz)	3000 ± 500
Operating Temp(°C)	-20~+45
Storage Temp(°C)	-20~+60
Weight(g)	7



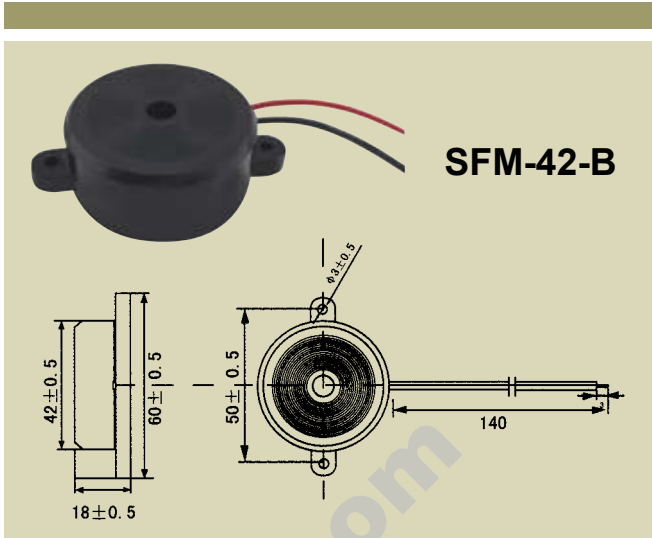
Type	SFM-27-J
Rated Voltage(V/AC)	220
Voltage Range(V)	200-240
Sound Output(dB)	≤85
Resonant Freq(Hz)	2300 ± 500
Operating Temp(°C)	-20~+45
Storage Temp(°C)	-20~+60
Weight(g)	7

Type	SFM27-IB	SFM27-IIB	SFM27-JB	SFM27-JYB	
Rated Voltage(V)	12	12	220	110	220
Voltage Range(V)	3~24	3~24	200~240 (AC)	100~120 (AC)	200~240 (AC)
Rated Current(mA)	≤12	≤30	—	—	—
Sound Output(dB)	≥95	≥90	≥85	≥85	≥85
Resonant Freq(Hz)	3000±500	3000±500	3000±500 1W	3000±500 1W	3000±500 1W
Operating Temp(°C)	-20~+60	-20~+60	-20~+60	-20~+60	-20~+60
Storage Temp(°C)	-30~+70	-30~+70	-30~+70	-30~+70	-30~+70
Weight(g)	7	7.5	15	15	15

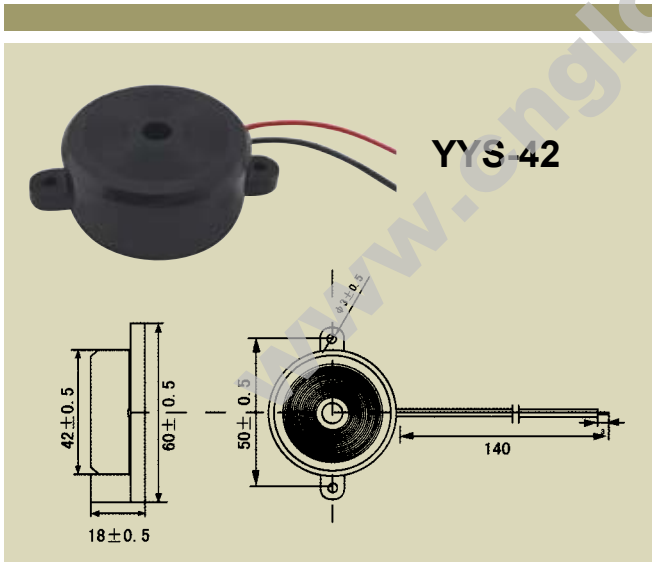
BUZZER



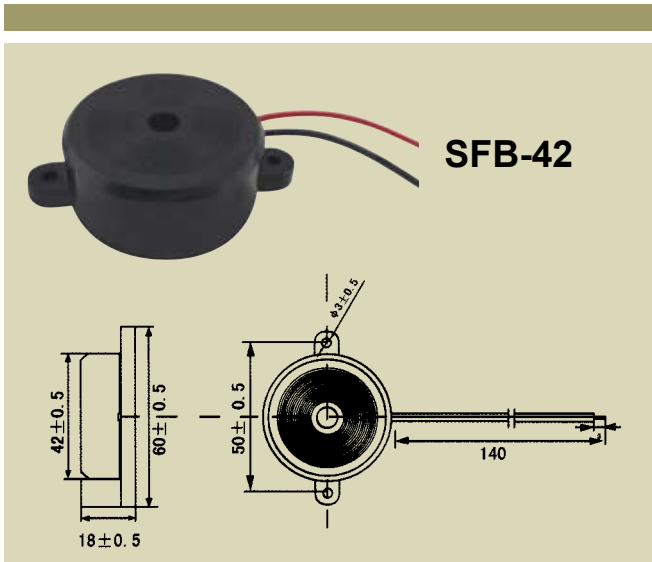
Type	SFM42-IA	SFM42-IIA
Rated Voltage(V)	12	12
Voltage Range(V)	3-28	2-16
Rated Current(mA)	≤25	≤15
Sound Output(dB)	≥90	≥90
Resonant Freq(Hz)	3000 ± 500	3000 ± 500
Operating Temp(°C)	-20~+50	-20~+50
Storage Temp(°C)	-30~+80	-30~+80
Weight(g)	14	14



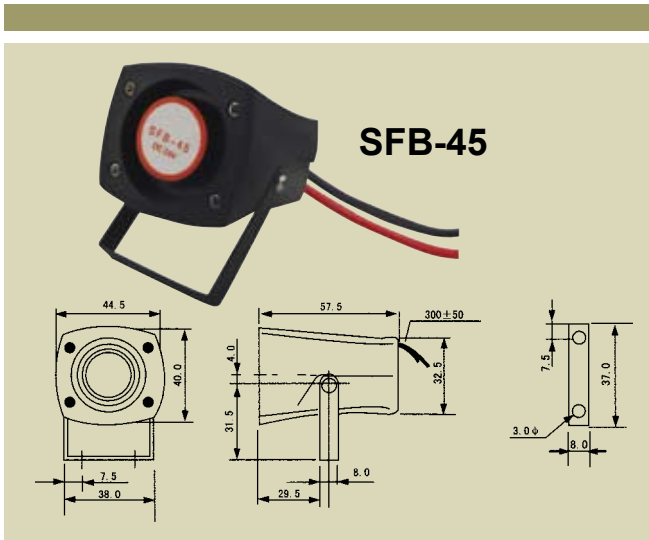
Type	SFM42-IB	SFM42-IIB	SFM42-JB
Rated Voltage(V)	12	12	220
Voltage Range(V)	3-28	3-28	200-240(AC)
Rated Current(mA)	≤25	≤15	-
Sound Output(dB)	≥90	≥90	≥85
Resonant Freq(Hz)	3000 ± 500	3000 ± 500	3000±500 1W
Operating Temp(°C)	-20~+50	-20~+50	-20~+60
Storage Temp(°C)	-30~+80	-30~+80	-30~+70
Weight(g)	14	14	25



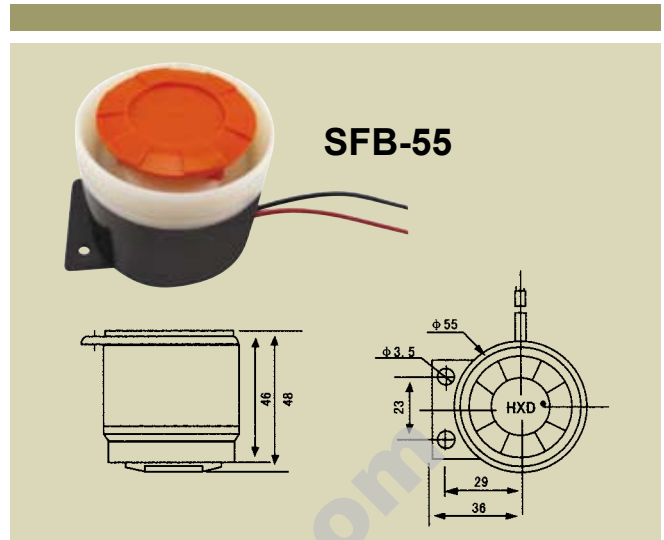
Type	YYS-42					
Song Name	Für Elise	Lambada	Christmas	Titanic	Sweet Home	Happy Birthday
Rated Voltage(V)	12	12	12	12	12	12
Voltage Range(V)	6~16	6~16	6~16	6~16	6~16	6~16
Rated Current(mA)	≤65	≤65	≤65	≤65	≤65	≤65
Sound Output(dB)	≥95	≥95	≥95	≥95	≥95	≥95
Resonant Freq(Hz)	3000 ± 500	3000 ± 500	3000 ± 500	3000 ± 500	3000 ± 500	3000 ± 500
Operating Temp(°C)	-20~+45	-20~+45	-20~+45	-20~+45	-20~+45	-20~+45
Storage Temp(°C)	-30~+60	-30~+60	-30~+60	-30~+60	-30~+60	-30~+60
Weight(g)	15g	15g	15g	15g	15g	15g



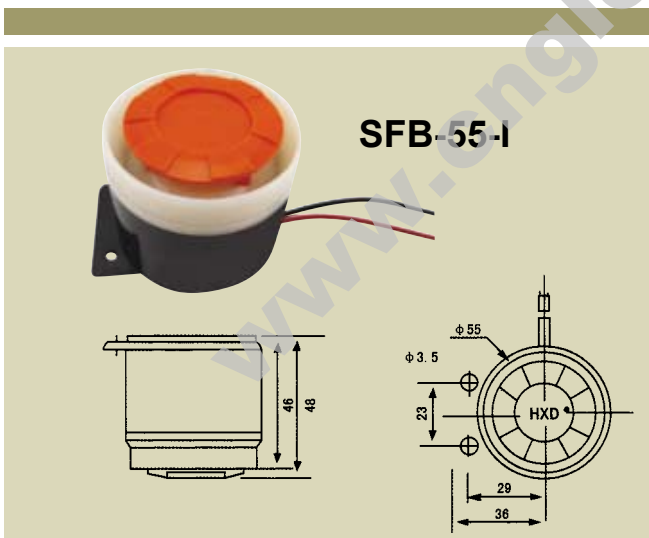
Type	SFB-42
Rated Voltage(V)	12
Voltage Range(V)	10-14
Rated Current(mA)	≤55
Sound Output(dB)	≥90
Resonant Freq(Hz)	3000 ± 500
Operating Temp(°C)	-20~+50
Storage Temp(°C)	-30~+80
Weight(g)	15



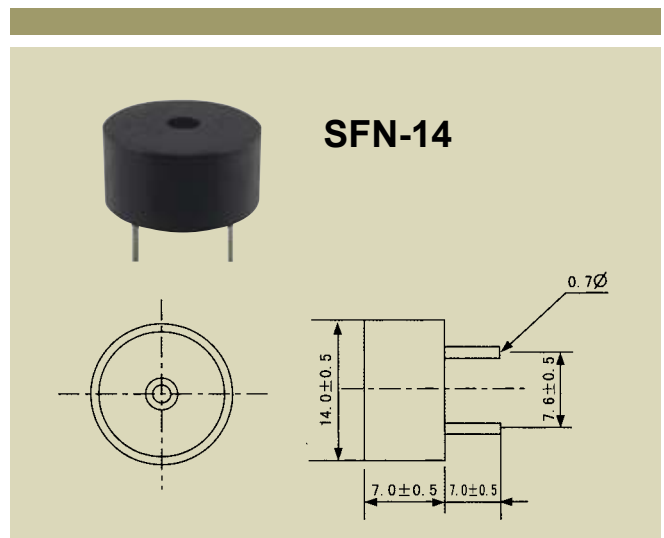
Type	SFB-45	SFB-45
Rated Voltage(V)	12	24
Nominal Current(mA)	130	80
Voltage Range(V)	9-15	20-26
Sound Output(dB)	≥105	≥105
Maximum power(W)	10	9
Sound Modulation	keyboard	keyboard
Operating Temp(°C)	-20~+50	-20~+50
Storage Temp(°C)	-20~+60	-20~+60
Weight(g)	50	50



Type	SFB-55	
Rated Voltage(V)	12	24
Nominal Current(mA)	≤280	≤200
Voltage Range(V)	6-16	18-25
Maximum power(W)	12	15
Sound Output(dB)	≥120	≥110
Operating Temp(°C)	-20~+40	-20~+40
Storage Temp(°C)	-20~+60	-20~+60
Weight(g)	80	80

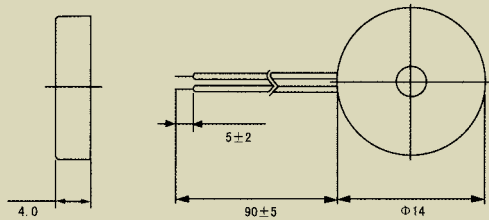


Type	SFB-55-I
Rated Voltage(V)	12
Rated Current(mA)	≤350
Voltage Range(V)	6-16
Sound Output(dB)	≥110
Resonant Freq(Hz)	3000±500
Operating Temp(°C)	-20~+40
Storage Temp(°C)	-20~+60
Weight(g)	80

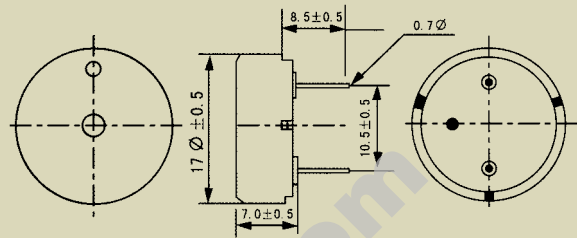


Type	SFN-14
Resonant Freq(±500Hz)	4000
Voltage Range(Vp-p max)	30
Current Consumption(mA maximum)	80 at 12Vp-p/10cm
Current Consumption(mA maximum)	1.5 at 12Vp-p/0.4KHZ
Capactiance(30%pf)	15000
Operating Temperature(°C)	-20~+45
Storage Temperature(°C)	-20~+60
Weight(g)	1.0

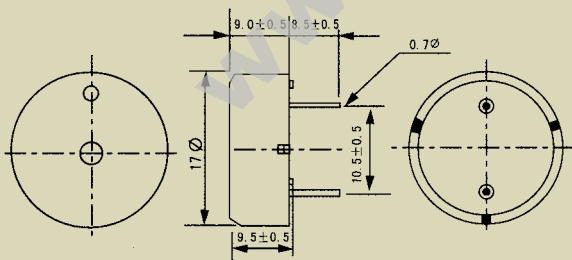
BUZZER



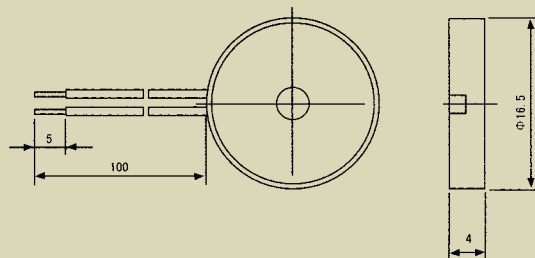
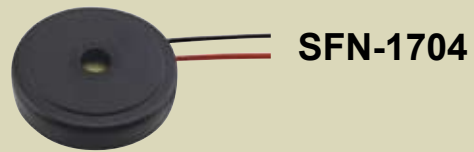
Type	SFN-1404
Resonant Frequency(±500Hz)	4000±500
Voltage Range(Vp-p max)	30
Current Consumption(mA maximum)	80
Current Consumption(mA maximum)	2
Operating Temperature(°C)	-20~+45
Storage Temperature(°C)	-20~+60
Weight(g)	1.0



Type	SFN-17-A
Resonant Frequency(±500Hz)	4500
Voltage Range(Vp-p max)	30
Current Consumption(mA maximum)	80 at 12Vp-p/10cm
Current Consumption(mA maximum)	1.5 at 12Vp-p/0.4KHZ
Capactiance(30%pf)	9500
Operating Temperature(°C)	-20~+45
Storage Temperature(°C)	-20~+60
Weight(g)	1.2



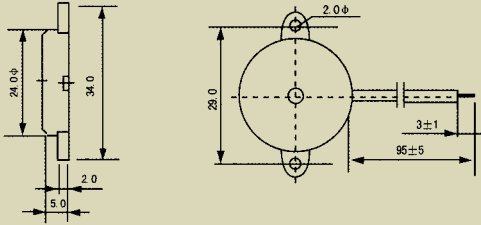
Type	SFN-17-B
Resonant Frequency(±500Hz)	2500
Voltage Range(Vp-p max)	30
Current Consumption(mA maximum)	80 at 12Vp-p/10cm
Current Consumption(mA maximum)	1.5 at 12Vp-p/0.4KHZ
Capactiance(30%pf)	9500
Operating Temperature(°C)	-20~+45
Storage Temperature(°C)	-20~+60
Weight(g)	2.5



Type	SFN-1704
Resonant Frequency(±500Hz)	4000±500
Voltage Range(Vp-p max)	1-30
Current Consumption(mA maximum)	80
Current Consumption(mA maximum)	2
Operating Temperature(°C)	-20~+45
Storage Temperature(°C)	-20~+60
Weight(g)	1.0



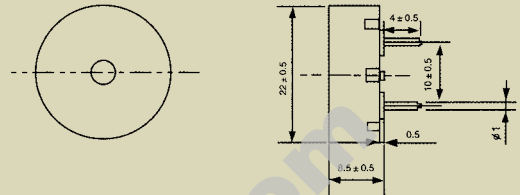
SFN-20-A



Type	SFN-20-A
Resonant Frequency(±500Hz)	4000
Voltage Range(Vp-p max)	30
Current Consumption(mA maximum)	80 at 12Vp-p/10cm
Current Consumption(mA maximum)	3.0 at 12Vp-p/0.4KHZ
Capactiance(30%pf)	10000
Operating Temperature(°C)	-20~+45
Storage Temperature(°C)	-20~+60
Weight(g)	4.0



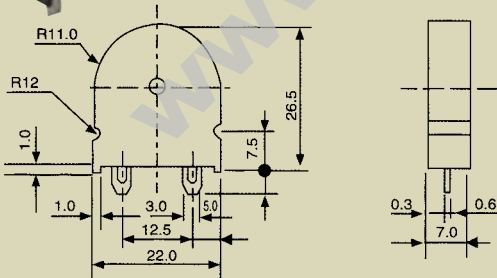
SFN-20-B



Type	SFN-20-B
Resonant Frequency(±500Hz)	4000
Voltage Range(Vp-p max)	30
Current Consumption(mA maximum)	80 at 12Vp-p/10cm
Current Consumption(mA maximum)	3.0 at 12Vp-p/0.4KHZ
Capactiance(30%pf)	10000
Operating Temperature(°C)	-20~+45
Storage Temperature(°C)	-20~+60
Weight(g)	4.0



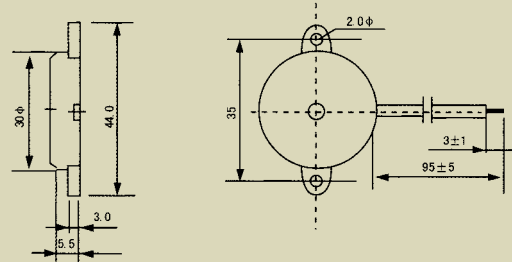
SFN-20-P



Type	SFN-20-P
Resonant Frequency(±500Hz)	2500
Voltage Range(Vp-p max)	25
Current Consumption(mA maximum)	80 at 12Vp-p/10cm
Current Consumption(mA maximum)	4.5 at 12Vp-p/0.4KHZ
Capactiance(30%pf)	25000
Operating Temperature(°C)	-20~+45
Storage Temperature(°C)	-20~+60
Weight(g)	2.0

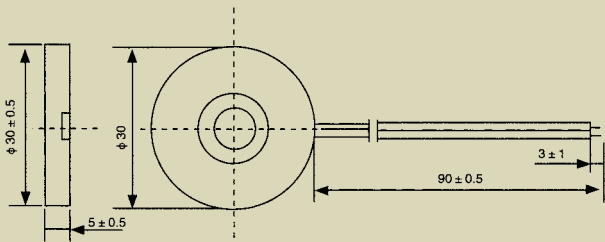


SFN-27

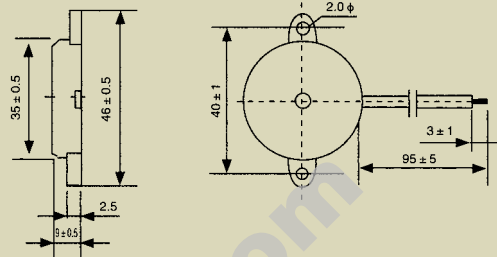


Type	SFN-27
Resonant Frequency(±500Hz)	4000
Voltage Range(Vp-p max)	30
Current Consumption(mA maximum)	80 at 12Vp-p/10cm
Current Consumption(mA maximum)	4.5 at 12Vp-p/0.4KHZ
Capactiance(30%pf)	22000
Operating Temperature(°C)	-20~+45
Storage Temperature(°C)	-20~+60
Weight(g)	3.5

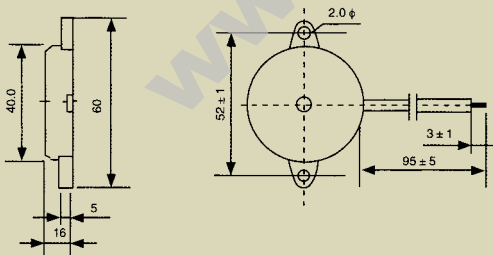
BUZZER



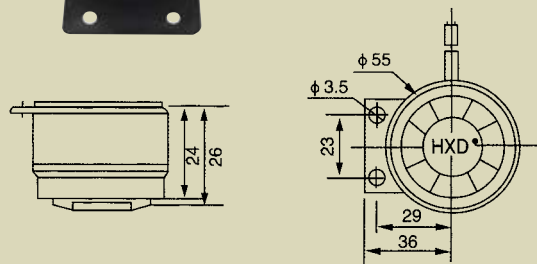
Type	SFN-30
Resonant Frequency(±500Hz)	4000
Voltage Range(Vp-p max)	30
Current Consumption(mA maximum)	90 at 12Vp-p/10cm
Current Consumption(mA maximum)	4.5 at 12Vp-p/0.4KHZ
Capactiance(30%pt)	16000
Operating Temperature(°C)	-20~+45
Storage Temperature(°C)	-20~+60
Weight(Gram)	5.0



Type	SFN-35
Resonant Frequency(±500Hz)	2500
Voltage Range(Vp-p max)	40
Current Consumption(mA maximum)	90 at 12Vp-p/10cm
Current Consumption(mA maximum)	4.5 at 12Vp-p/0.4KHZ
Capactiance(30%pt)	22000
Operating Temperature(°C)	-20~+45
Storage Temperature(°C)	-20~+60
Weight(Gram)	5.0



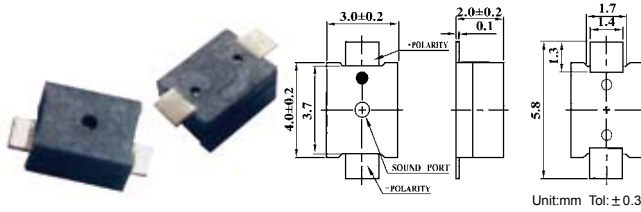
Type	SFN-42
Resonant Frequency(±500Hz)	2500
Voltage Range(Vp-p max)	40
Current Consumption(mA maximum)	90 at 12Vp-p/10cm
Current Consumption(mA maximum)	5.0 at 12Vp-p/0.4KHZ
Capactiance(30%pt)	25000
Operating Temperature(°C)	-20~+50
Storage Temperature(°C)	-20~+60
Weight(Gram)	10



Type	SFN-55
Resonant Frequency(±500Hz)	2500
Voltage Range(Vp-p max)	40
Current Consumption(mA maximum)	110 at 12Vp-p/10cm
Current Consumption(mA maximum)	5.0 at 12Vp-p/0.4KHZ
Capactiance(30%pt)	25000
Operating Temperature(°C)	-20~+50
Storage Temperature(°C)	-20~+60
Weight(Gram)	10

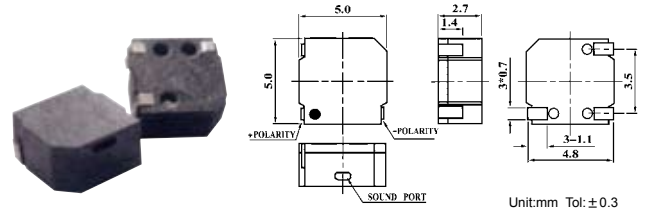
SMD BUZZER

SMD-040020F-03040



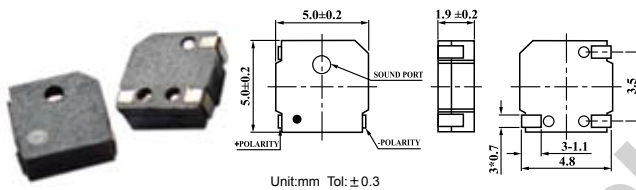
Item	Unit	SMD-040020F-03040
Oscillation Frequency	Hz	4000
Operating Voltage	Vo-p	2~4
Rated Voltage	Vo-p	3
Current Consumption	mA	Max.130
Sound Pressure Level	dB	Min.70 at Rated Voltage at 10cm
Coil Resistance	Ω	12 ± 3
Dimension	mm	4x3xH2
Operating Temperature	℃	-20~+70
Weight(Max)	gram	0.3

SMD-050027H-03040



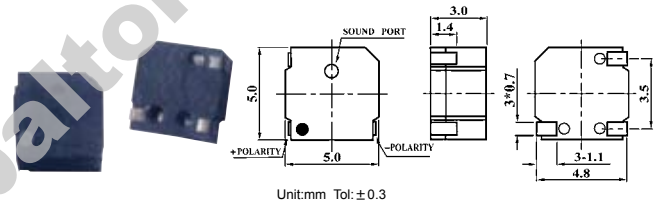
Item	Unit	SMD-050027H-03040
Oscillation Frequency	Hz	4000
Operating Voltage	Vo-p	2~4
Rated Voltage	Vo-p	3
Current Consumption	mA	Max.110
Sound Pressure Level	dB	Min.78 at Rated Voltage at 10cm
Coil Resistance	Ω	12 ± 3
Dimension	mm	5.0x5.0xH2.7
Operating Temperature	℃	-20~+70
Weight(Max)	gram	0.5

SMD-050020F-03040



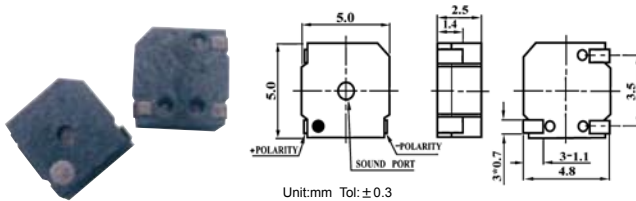
Item	Unit	SMD-050020F-03040
Oscillation Frequency	Hz	4000
Operating Voltage	Vo-p	2~4
Rated Voltage	Vo-p	3
Current Consumption	mA	Max.110
Sound Pressure Level	dB	Min.75 at Rated Voltage at 10cm
Coil Resistance	Ω	12 ± 3
Dimension	mm	5.0x5.0xH1.9
Operating Temperature	℃	-20~+70
Weight(Max)	gram	0.5

SMD-050030F-03040



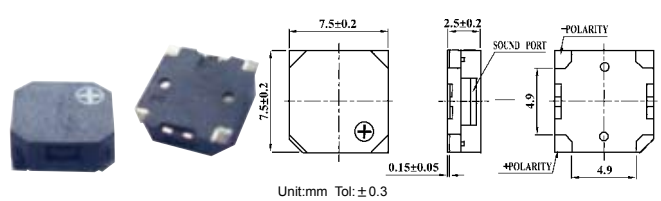
Item	Unit	SMD-050030F-03040
Oscillation Frequency	Hz	4000
Operating Voltage	Vo-p	2~4
Rated Voltage	Vo-p	3
Current Consumption	mA	Max.110
Sound Pressure Level	dB	Min.80 at Rated Voltage at 10cm
Coil Resistance	Ω	12 ± 3
Dimension	mm	5.0x5.0xH3
Operating Temperature	℃	-20~+70
Weight(Max)	gram	0.5

SMD-050025F-03040



Item	Unit	SMD-050025F-03040
Oscillation Frequency	Hz	4000
Operating Voltage	Vo-p	2~4
Rated Voltage	Vo-p	3
Current Consumption	mA	Max.110
Sound Pressure Level	dB	Min.75 at Rated Voltage at 10cm
Coil Resistance	Ω	12 ± 3
Dimension	mm	5.0x5.0xH2.5
Operating Temperature	℃	-20~+70
Weight(Max)	gram	0.5

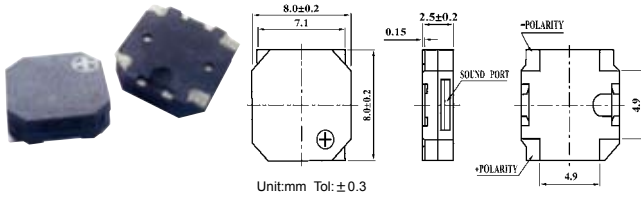
SMD-075025H-03627



Item	Unit	SMD-075025H-03627
Oscillation Frequency	Hz	2700
Operating Voltage	Vo-p	2.5~4.5
Rated Voltage	Vo-p	3.6
Current Consumption	mA	Max.100
Sound Pressure Level	dB	Min.85 at Rated Voltage at 10cm
Coil Resistance	Ω	16 ± 3
Dimension	mm	7.5x7.5xH2.5
Operating Temperature	℃	-20~+70
Weight(Max)	gram	0.8

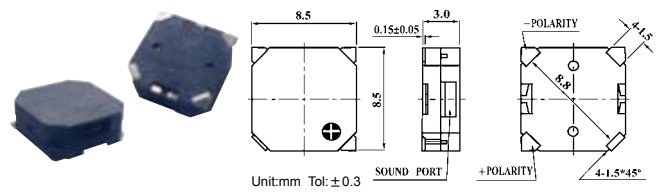
SMD BUZZER

SMD-080025H-03627



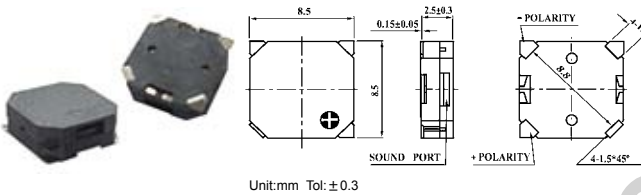
Item	Unit	SMD-080025H-03627
Oscillation Frequency	Hz	2700
Operating Voltage	Vo-p	2.5~4.5
Rated Voltage	Vo-p	3.6
Current Consumption	mA	Max.100
Sound Pressure Level	dB	Min.85 at Rated Voltage at 10cm
Coil Resistance	Ω	16 ± 3
Dimension	mm	8.0x8.0xH2.5
Operating Temperature	°C	-20~+70
Weight(Max)	gram	0.8

SMD-085030H-03627



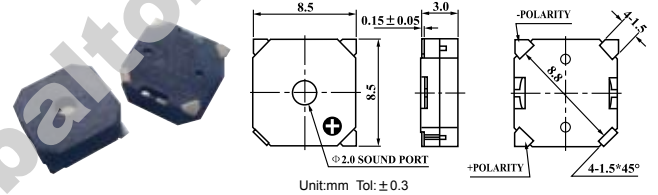
Item	Unit	SMD-085030H-03627
Oscillation Frequency	Hz	2700
Operating Voltage	Vo-p	2.5~4.5
Rated Voltage	Vo-p	3.6
Current Consumption	mA	Max.100
Sound Pressure Level	dB	Min.85 at Rated Voltage at 10cm
Coil Resistance	Ω	16 ± 3
Dimension	mm	8.5x8.5xH3
Operating Temperature	°C	-20~+70
Weight(Max)	gram	0.8

SMD-085025H-03627



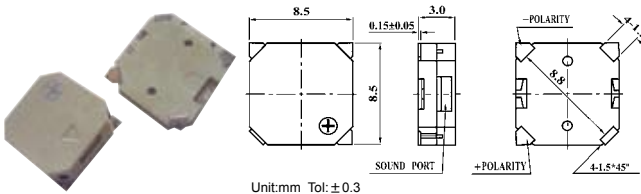
Item	Unit	SMD-085025H-03627
Oscillation Frequency	Hz	2700
Operating Voltage	Vo-p	2.5~4.5
Rated Voltage	Vo-p	3.6
Current Consumption	mA	Max.100
Sound Pressure Level	dB	Min.85 at Rated Voltage at 10cm
Coil Resistance	Ω	16 ± 3
Dimension	mm	8.5x8.5xH2.5
Operating Temperature	°C	-20~+70
Weight(Max)	gram	0.8

SMD-085030F-03627



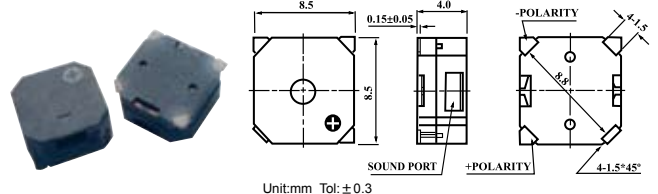
Item	Unit	SMD-085030F-03627
Oscillation Frequency	Hz	2700
Operating Voltage	Vo-p	2.5~4.5
Rated Voltage	Vo-p	3.6
Current Consumption	mA	Max.100
Sound Pressure Level	dB	Min.85 at Rated Voltage at 10cm
Coil Resistance	Ω	16 ± 3
Dimension	mm	8.5x8.5xH3
Operating Temperature	°C	-20~+70
Weight(Max)	gram	0.8

SMD-085030H-03627



Item	Unit	SMD-085030H-03627
Oscillation Frequency	Hz	2700
Operating Voltage	Vo-p	2.5~4.5
Rated Voltage	Vo-p	3.6
Current Consumption	mA	Max.100
Sound Pressure Level	dB	Min.85 at Rated Voltage at 10cm
Coil Resistance	Ω	16 ± 3
Dimension	mm	8.5x8.5xH3
Operating Temperature	°C	-20~+70
Weight(Max)	gram	0.8

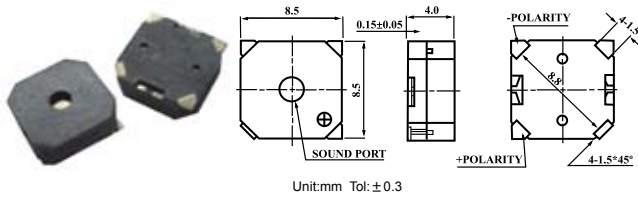
SMD-085040H-03627



Item	Unit	SMD-085040H-03627
Oscillation Frequency	Hz	2700
Operating Voltage	Vo-p	2.5~4.5
Rated Voltage	Vo-p	3.6
Current Consumption	mA	Max.100
Sound Pressure Level	dB	Min.85 at Rated Voltage at 10cm
Coil Resistance	Ω	16 ± 3
Dimension	mm	8.5x8.5xH4
Operating Temperature	°C	-20~+70
Weight(Max)	gram	0.8

SMD BUZZER

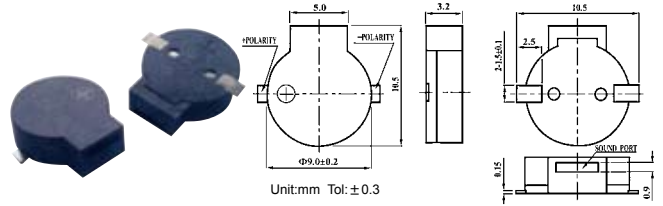
SMD-085040F-03627



Unit:mm Tol:±0.3

Item	Unit	SMD-085040F-03627
Oscillation Frequency	Hz	2700
Operating Voltage	Vo-p	2.5~4.5
Rated Voltage	Vo-p	3.6
Current Consumption	mA	Max.100
Sound Pressure Level	dB	Min.85 at Rated Voltage at 10cm
Coil Resistance	Ω	16 ± 3
Dimension	mm	8.5x8.5xH4
Operating Temperature	℃	-20~+70
Weight(Max)	gram	0.8

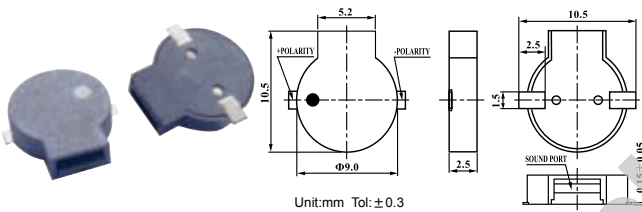
SMD-090032H-03627



Unit:mm Tol:±0.3

Item	Unit	SMD-090032H-03627
Oscillation Frequency	Hz	2700
Operating Voltage	Vo-p	2.5~4.5
Rated Voltage	Vo-p	3.6
Current Consumption	mA	Max.100
Sound Pressure Level	dB	Min.88 at Rated Voltage at 10cm
Coil Resistance	Ω	16 ± 3
Dimension	mm	10.5xΦ9.0xH3.2
Operating Temperature	℃	-20~+70
Weight(Max)	gram	0.8

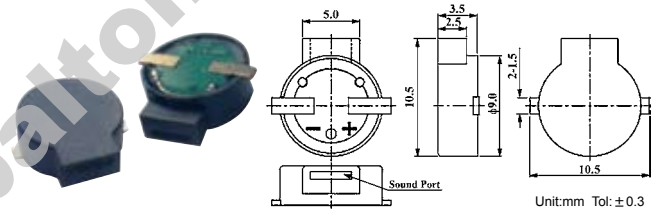
SMD-090025H-03627



Unit:mm Tol:±0.3

Item	Unit	SMD-090025H-03627
Oscillation Frequency	Hz	2700
Operating Voltage	Vo-p	2.5~4.5
Rated Voltage	Vo-p	3.6
Current Consumption	mA	Max.100
Sound Pressure Level	dB	Min.85 at Rated Voltage at 10cm
Coil Resistance	Ω	16 ± 3
Dimension	mm	10.5xΦ9.0xH2.5
Operating Temperature	℃	-20~+70
Weight(Max)	gram	0.8

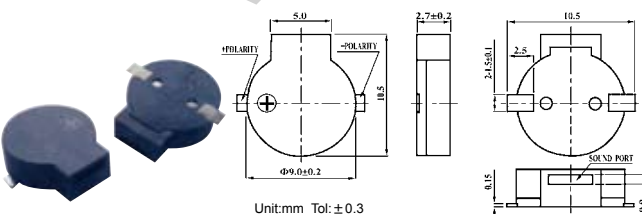
SMD-090035H-03627



Unit:mm Tol:±0.3

Item	Unit	SMD-090035H-03627
Oscillation Frequency	Hz	2700
Operating Voltage	Vo-p	2.5~4.5
Rated Voltage	Vo-p	3.6
Current Consumption	mA	Max.100
Sound Pressure Level	dB	Min.88 at Rated Voltage at 10cm
Coil Resistance	Ω	16 ± 3
Dimension	mm	10.5xΦ9.0xH3.5
Operating Temperature	℃	-20~+70
Weight(Max)	gram	0.8

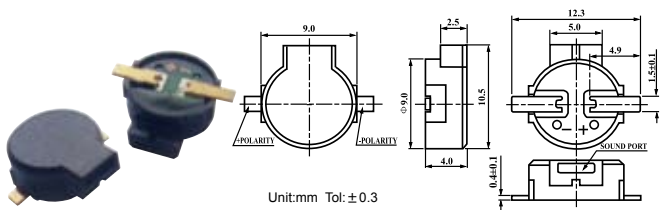
SMD-090027H-03627



Unit:mm Tol:±0.3

Item	Unit	SMD-090027H-03627
Oscillation Frequency	Hz	2700
Operating Voltage	Vo-p	2.5~4.5
Rated Voltage	Vo-p	3.6
Current Consumption	mA	Max.100
Sound Pressure Level	dB	Min.85 at Rated Voltage at 10cm
Coil Resistance	Ω	16 ± 3
Dimension	mm	10.5xΦ9.0xH2.7
Operating Temperature	℃	-20~+70
Weight(Max)	gram	0.8

SMD-090040H-03627

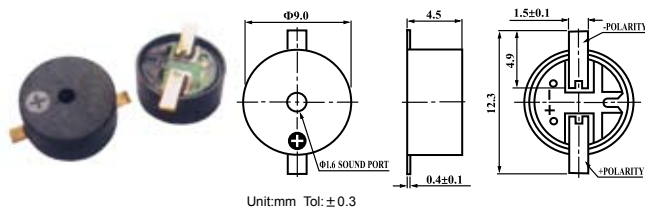


Unit:mm Tol:±0.3

Item	Unit	SMD-090040H-03627
Oscillation Frequency	Hz	2700
Operating Voltage	Vo-p	2.5~4.5
Rated Voltage	Vo-p	3.6
Current Consumption	mA	Max.100
Sound Pressure Level	dB	Min.88 at Rated Voltage at 10cm
Coil Resistance	Ω	16 ± 3
Dimension	mm	10.5xΦ9xH4
Operating Temperature	℃	-20~+70
Weight(Max)	gram	0.8

SMD BUZZER

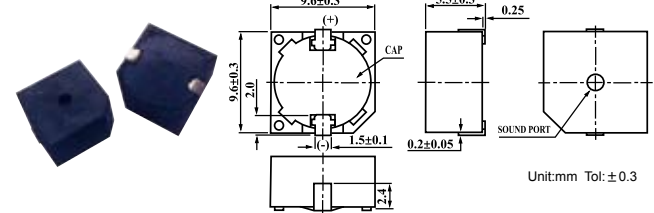
SMD-090045F-03627



Unit:mm Tol:±0.3

Item	Unit	SMD-090045F-03627
Oscillation Frequency	Hz	2700
Operating Voltage	Vo-p	2.5~4.5
Rated Voltage	Vo-p	3.6
Current Consumption	mA	Max.100
Sound Pressure Level	dB	Min.85 at Rated Voltage at 10cm
Coil Resistance	Ω	16 ± 3
Dimension	mm	Φ9xH4.5
Operating Temperature	℃	-20~+70
Weight(Max)	gram	0.8

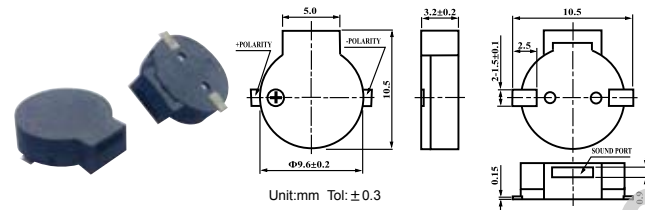
SMD-096055F-05027D



Unit:mm Tol:±0.3

Item	Unit	SMD-096055F-05027D
Oscillation Frequency	KHz	2.7 ± 0.3
Operating Voltage	V _{DC}	4~7
Rated Voltage	V _{DC}	5
Current Consumption	mA	Max.30
Sound Pressure Level	dB	Min.85 at Rated Voltage at 10cm
Tone/Pulse Rate		Constant
Dimension	mm	9.6x9.6xH5.5
Operating Temperature	℃	-20~+70
Weight(Max)	gram	1.5

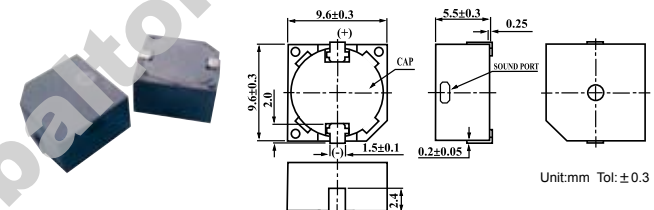
SMD-096032H-03627



Unit:mm Tol:±0.3

Item	Unit	SMD-096032H-03627
Oscillation Frequency	Hz	2700
Operating Voltage	Vo-p	2.5~4.5
Rated Voltage	Vo-p	3.6
Current Consumption	mA	Max.100
Sound Pressure Level	dB	Min.88 at Rated Voltage at 10cm
Coil Resistance	Ω	16 ± 3
Dimension	mm	10.8xΦ9.6xH3.2
Operating Temperature	℃	-20~+70
Weight(Max)	gram	0.8

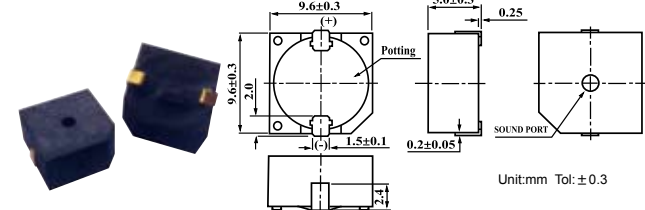
SMD-096055H-05027D



Unit:mm Tol:±0.3

Item	Unit	SMD-096055H-05027D
Oscillation Frequency	KHz	2.7 ± 0.3
Operating Voltage	V _{DC}	4~7
Rated Voltage	V _{DC}	5
Current Consumption	mA	Max.30
Sound Pressure Level	dB	Min.85 at Rated Voltage at 10cm
Tone/Pulse Rate		Constant
Dimension	mm	9.6x9.6xH5.5
Operating Temperature	℃	-20~+70
Weight(Max)	gram	1.5

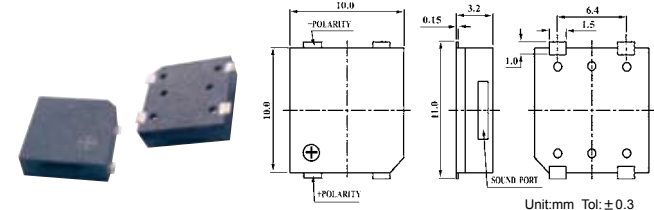
SMD-096050F-05027B



Unit:mm Tol:±0.3

Item	Unit	SMD-096050F-05027B
Oscillation Frequency	KHz	2.7 ± 0.3
Operating Voltage	V _{DC}	4~7
Rated Voltage	V _{DC}	5
Current Consumption	mA	Max.30
Sound Pressure Level	dB	Min.85 at Rated Voltage at 10cm
Tone/Pulse Rate		Constant
Dimension	mm	9.6x9.6xH5
Operating Temperature	℃	-20~+70
Weight(Max)	gram	1.5

SMD-100032H-03627

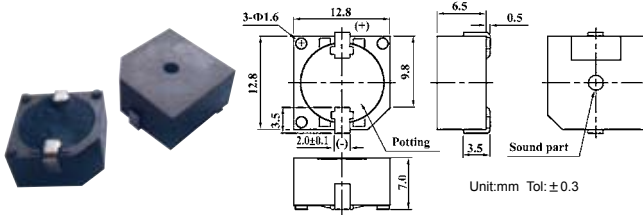


Unit:mm Tol:±0.3

Item	Unit	SMD-100032H-03627
Oscillation Frequency	Hz	2700
Operating Voltage	Vo-p	2.5~4.5
Rated Voltage	Vo-p	3.6
Current Consumption	mA	Max.100
Sound Pressure Level	dB	Min.88 at Rated Voltage at 10cm
Coil Resistance	Ω	16 ± 3
Dimension	mm	10x10xH3.2
Operating Temperature	℃	-20~+70
Weight(Max)	gram	1.0

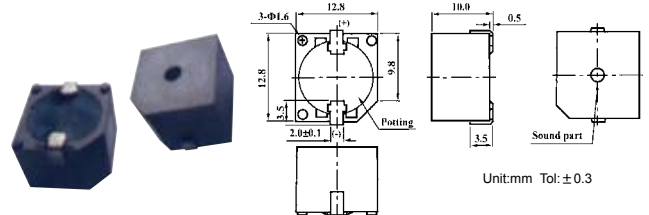
SMD BUZZER

SMD-128065F-05024B



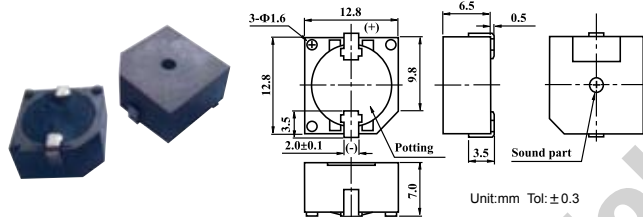
Item	Unit	SMD-128065F-05024B
Oscillation Frequency	KHz	2.4 ± 0.3
Operating Voltage	V _{DC}	4~7
Rated Voltage	V _{DC}	5
Current Consumption	mA	Max.30
Sound Pressure Level	dB	Min.85 at Rated Voltage at 10cm
Tone/Pulse Rate		Constant
Dimension	mm	12.8x12.8xH7
Operating Temperature	°C	-20~+70
Weight(Max)	gram	2.0

SMD-128100F-12024B



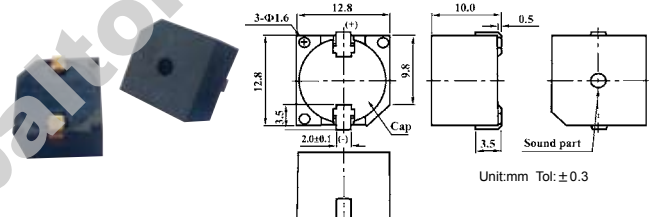
Item	Unit	SMD-128100F-12024B
Oscillation Frequency	KHz	2.4 ± 0.3
Operating Voltage	V _{DC}	8~16
Rated Voltage	V _{DC}	12
Current Consumption	mA	Max.30
Sound Pressure Level	dB	Min.88 at Rated Voltage at 10cm
Tone/Pulse Rate		Constant
Dimension	mm	12.8x12.8xH10
Operating Temperature	°C	-20~+70
Weight(Max)	gram	2.5

SMD-128065F-05024



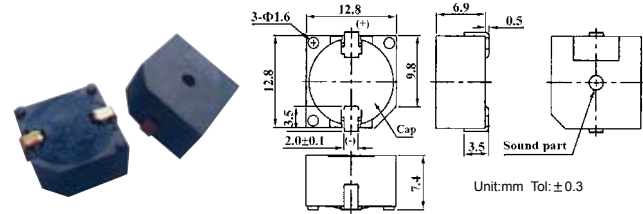
Item	Unit	SMD-128065F-05024
Oscillation Frequency	Hz	2400
Operating Voltage	Vo-p	4~7
Rated Voltage	Vo-p	5
Current Consumption	mA	Max.50
Sound Pressure Level	dB	Min.85 at Rated Voltage at 10cm
Coil Resistance	Ω	25 ± 3
Dimension	mm	12.8x12.8xH7
Operating Temperature	°C	-20~+70
Weight(Max)	gram	2.0

SMD-128100F-05024D



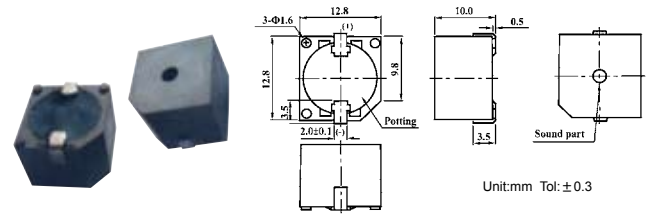
Item	Unit	SMD-128100F-05024D
Oscillation Frequency	KHz	2.4 ± 0.3
Operating Voltage	V _{DC}	4~7
Rated Voltage	V _{DC}	5
Current Consumption	mA	Max.30
Sound Pressure Level	dB	Min.85 at Rated Voltage at 10cm
Tone/Pulse Rate		Constant
Dimension	mm	12.8x12.8xH10
Operating Temperature	°C	-20~+70
Weight(Max)	gram	2.5

SMD-128070F-05024D



Item	Unit	SMD-128070F-05024D
Oscillation Frequency	KHz	2.4 ± 0.3
Operating Voltage	V _{DC}	4~7
Rated Voltage	V _{DC}	5
Current Consumption	mA	Max.30
Sound Pressure Level	dB	Min.85 at Rated Voltage at 10cm
Tone/Pulse Rate		Constant
Dimension	mm	12.8x12.8xH7.4
Operating Temperature	°C	-20~+70
Weight(Max)	gram	2.0

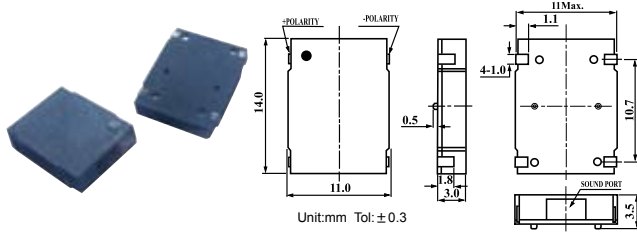
SMD-128100F-05024



Item	Unit	SMD-128100F-05024
Oscillation Frequency	Hz	2400
Operating Voltage	Vo-p	4~7
Rated Voltage	Vo-p	5
Current Consumption	mA	Max.50
Sound Pressure Level	dB	Min.85 at Rated Voltage at 10cm
Coil Resistance	Ω	25 ± 3
Dimension	mm	12.8x12.8xH10
Operating Temperature	°C	-20~+70
Weight(Max)	gram	2.5

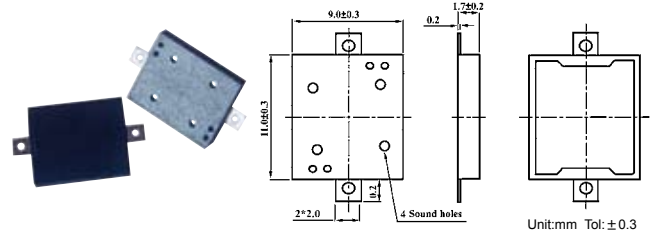
SMD BUZZER

SMD-140035H-05027



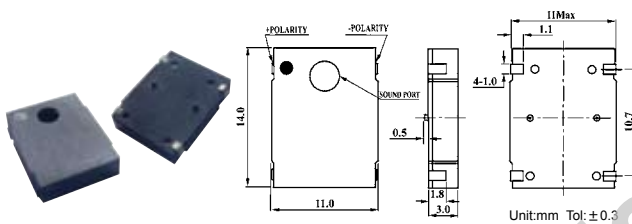
Item	Unit	SMD-140035H-05027
Oscillation Frequency	Hz	2700
Operating Voltage	Vo-p	4~7
Rated Voltage	Vo-p	5
Current Consumption	mA	Max.80
Sound Pressure Level	dB	Min.90 at Rated Voltage at 10cm
Coil Resistance	Ω	30 \pm 3
Dimension	mm	14x11xH3
Operating Temperature	$^{\circ}$ C	-20~+70
Weight(Max)	gram	1.0

SMD-110017F-05041T



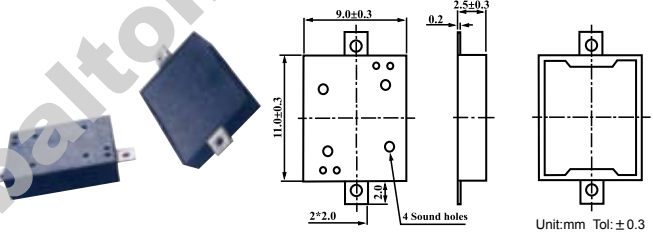
Item	Unit	SMD-110017F-05041T
Oscillation Frequency	Hz	4100
Operating Voltage	Vp-p	1~25
Rated Voltage	Vp-p	5
Current Consumption	mA	Max.3
Sound Pressure Level	dB	Min.75 at Rated Voltage at 10cm
Electrostatic Capacity	pF	12000 \pm 30% at 120Hz 1V
Dimension	mm	11x9xH1.7
Operating Temperature	$^{\circ}$ C	-20~+70
Weight(Max)	gram	0.3

SMD-140035F-05027



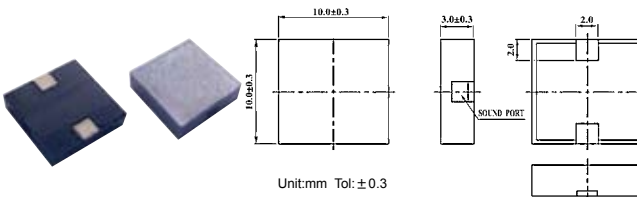
Item	Unit	SMD-140035F-05027
Oscillation Frequency	Hz	2700
Operating Voltage	Vo-p	4~7
Rated Voltage	Vo-p	5
Current Consumption	mA	Max.80
Sound Pressure Level	dB	Min.90 at Rated Voltage at 10cm
Coil Resistance	Ω	30 \pm 3
Dimension	mm	14x11xH3
Operating Temperature	$^{\circ}$ C	-20~+70
Weight(Max)	gram	1.0

SMD-110025F-05041T



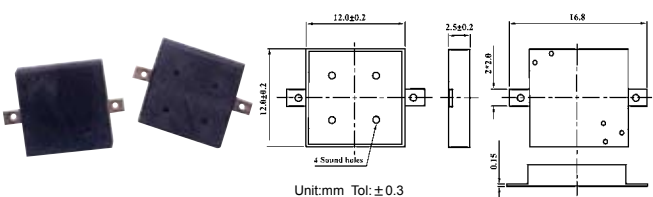
Item	Unit	SMD-110025F-05041T
Oscillation Frequency	Hz	4100
Operating Voltage	Vp-p	1~25
Rated Voltage	Vp-p	5
Current Consumption	mA	Max.3
Sound Pressure Level	dB	Min.75 at Rated Voltage at 10cm
Electrostatic Capacity	pF	12000 \pm 30% at 120Hz 1V
Dimension	mm	11x9xH2.5
Operating Temperature	$^{\circ}$ C	-20~+70
Weight(Max)	gram	0.4

SMD-100030H-05052T



Item	Unit	SMD-100030H-05052T
Oscillation Frequency	Hz	5200
Operating Voltage	Vp-p	1~25
Rated Voltage	Vp-p	5
Current Consumption	mA	Max.3
Sound Pressure Level	dB	Min.70 at Rated Voltage at 10cm
Electrostatic Capacity	pF	12000 \pm 30% at 120Hz 1V
Dimension	mm	10x10xH3
Operating Temperature	$^{\circ}$ C	-20~+70
Weight(Max)	gram	0.3

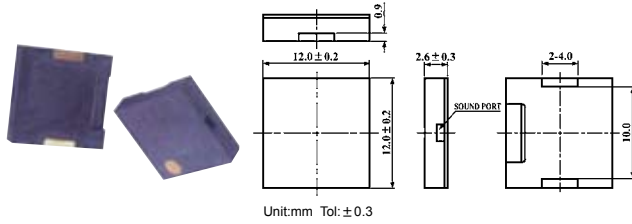
SMD-120025F-09041T



Item	Unit	SMD-120025F-09041T
Oscillation Frequency	Hz	4100
Operating Voltage	Vp-p	1~25
Rated Voltage	Vp-p	9
Current Consumption	mA	Max.3
Sound Pressure Level	dB	Min.78 at Rated Voltage at 10cm
Electrostatic Capacity	pF	15000 \pm 30% at 120Hz 1V
Dimension	mm	12x12xH2.5
Operating Temperature	$^{\circ}$ C	-20~+70
Weight(Max)	gram	0.5

SMD BUZZER

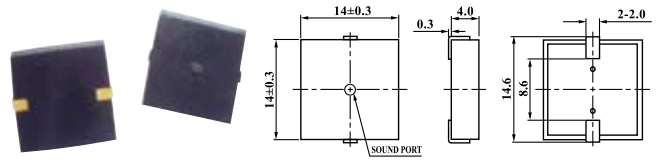
SMD-120026H-05040T



Unit:mm Tol:±0.3

Item	Unit	SMD-120026H-05040T
Oscillation Frequency	Hz	4000
Operating Voltage	Vp-p	1~25
Rated Voltage	Vp-p	5
Current Consumption	mA	Max.5
Sound Pressure Level	dB	Min.75 at Rated Voltage at 10cm
Electrostatic Capacity	pF	16000 ± 30% at 120Hz 1V
Dimension	mm	12x12xH2.6
Operating Temperature	°C	-20~+70
Weight(Max)	gram	0.3

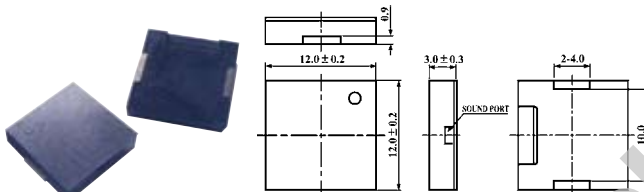
SMD-140040F-05040T



Unit:mm Tol:±0.3

Item	Unit	SMD-140040F-05040T
Oscillation Frequency	Hz	4000
Operating Voltage	Vp-p	1~25
Rated Voltage	Vp-p	5
Current Consumption	mA	Max.2
Sound Pressure Level	dB	Min.75 at Rated Voltage at 10cm
Electrostatic Capacity	pF	12000 ± 30% at 120Hz 1V
Dimension	mm	14x14xH4
Operating Temperature	°C	-20~+70
Weight(Max)	gram	1.2

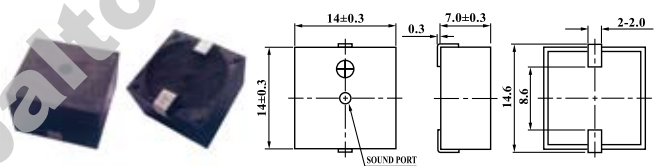
SMD-120030H-05040T



Unit:mm Tol:±0.3

Item	Unit	SMD-120030H-05040T
Oscillation Frequency	Hz	4000
Operating Voltage	Vp-p	1~25
Rated Voltage	Vp-p	5
Current Consumption	mA	Max.5
Sound Pressure Level	dB	Min.75 at Rated Voltage at 10cm
Electrostatic Capacity	pF	16000 ± 30% at 120Hz 1V
Dimension	mm	12x12xH3
Operating Temperature	°C	-20~+70
Weight(Max)	gram	0.3

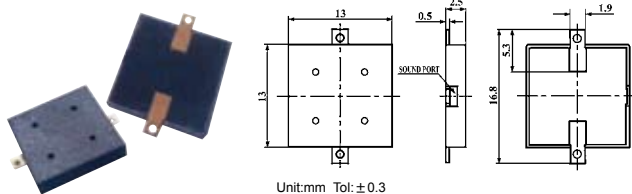
SMD-140070F-12040K



Unit:mm Tol:±0.3

Item	Unit	SMD-140070F-12040K
Oscillation Frequency	KHz	4.0 ± 0.5
Operating Voltage	V _{DC}	3~16
Rated Voltage	V _{DC}	12
Current Consumption	mA	Max.3
Sound Pressure Level	dB	Min.83 at Rated Voltage at 10cm
Tone/Pulse Rate		Constant
Dimension	mm	14x14xH7
Operating Temperature	°C	-20~+70
Weight(Max)	gram	2.0

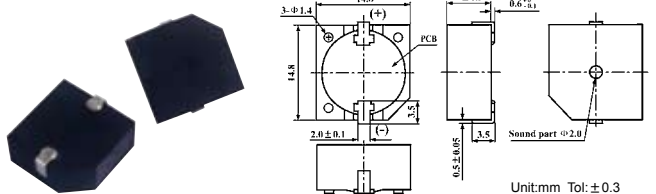
SMD-130025H-05041T



Unit:mm Tol:±0.3

Item	Unit	SMD-130025H-05041T
Oscillation Frequency	Hz	4100
Operating Voltage	Vp-p	1~25
Rated Voltage	Vp-p	5
Current Consumption	mA	Max.5
Sound Pressure Level	dB	Min.75 at Rated Voltage at 10cm
Electrostatic Capacity	pF	15000 ± 30% at 120Hz 1V
Dimension	mm	13x13xH2.5
Operating Temperature	°C	-20~+70
Weight(Max)	gram	0.5

SMD-150070F-07036T

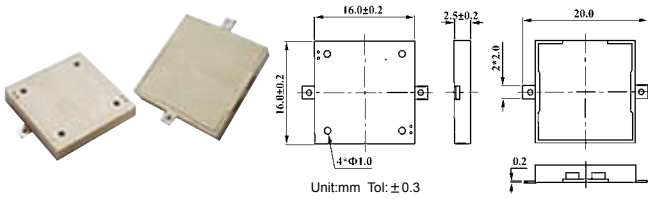


Unit:mm Tol:±0.3

Item	Unit	SMD-150070F-07036T
Oscillation Frequency	Hz	3650
Operating Voltage	Vp-p	3~20
Rated Voltage	Vp-p	7
Current Consumption	mA	Max.3
Sound Pressure Level	dB	Min.85 at Rated Voltage at 10cm
Electrostatic Capacity	pF	15000 ± 30% at 120Hz 1V
Dimension	mm	14.8x14.8xH7
Operating Temperature	°C	-20~+70
Weight(Max)	gram	2.0

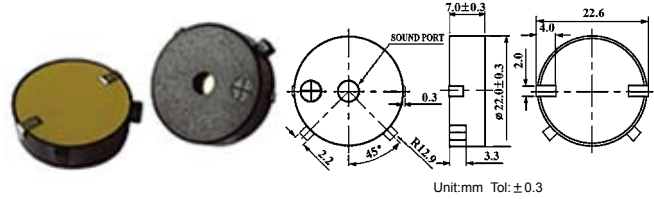
SMD BUZZER

SMD-160025F-05041T



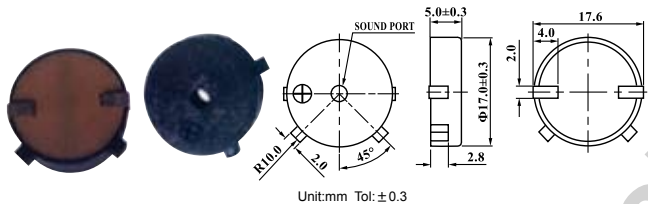
Item	Unit	SMD-160025F-05041T
Oscillation Frequency	Hz	4000
Operating Voltage	Vp-p	1~25
Rated Voltage	Vp-p	5
Current Consumption	mA	Max.2
Sound Pressure Level	dB	Min.75 at Rated Voltage at 10cm
Electrostatic Capacity	pF	16000±30% at 120Hz 1V
Dimension	mm	16x16xH2.5
Operating Temperature	°C	-20~+70
Weight(Max)	gram	1.0

SMD-220070F-12040T



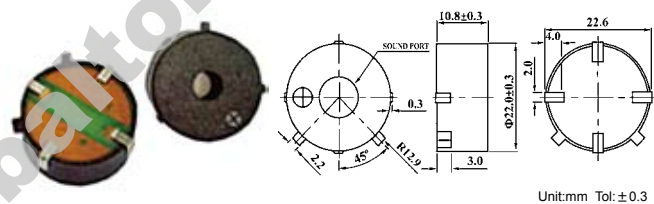
Item	Unit	SMD-220070F-12040T
Oscillation Frequency	Hz	4000
Operating Voltage	Vp-p	1~30
Rated Voltage	Vp-p	12
Current Consumption	mA	Max.5
Sound Pressure Level	dB	Min.90 at Rated Voltage at 10cm
Electrostatic Capacity	pF	19000±30% at 120Hz 1V
Dimension	mm	Φ22xH7
Operating Temperature	°C	-20~+70
Weight(Max)	gram	4.0

SMD-170050F-12040T



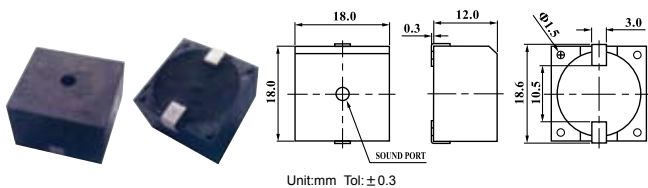
Item	Unit	SMD-170050F-12040T
Oscillation Frequency	Hz	4000
Operating Voltage	Vp-p	1~25
Rated Voltage	Vp-p	12
Current Consumption	mA	Max.5
Sound Pressure Level	dB	Min.90 at Rated Voltage at 10cm
Electrostatic Capacity	pF	15000±30% at 120Hz 1V
Dimension	mm	Φ17xH5
Operating Temperature	°C	-20~+70
Weight(Max)	gram	1.6

SMD-220110F-12040T



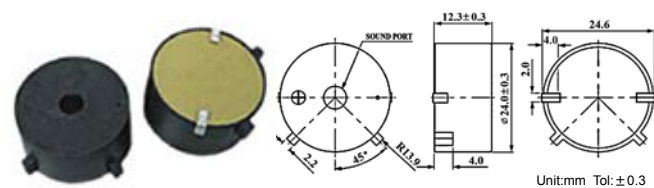
Item	Unit	SMD-220110F-12040T
Oscillation Frequency	Hz	4000
Operating Voltage	Vp-p	1~30
Rated Voltage	Vp-p	12
Current Consumption	mA	Max.5
Sound Pressure Level	dB	Min.100 at Rated Voltage at 10cm
Electrostatic Capacity	pF	19000±30% at 120Hz 1V
Dimension	mm	Φ22xH10.8
Operating Temperature	°C	-20~+70
Weight(Max)	gram	4.5

SMD-180120F-10030T



Item	Unit	SMD-180120F-10030T
Oscillation Frequency	Hz	3000
Operating Voltage	Vp-p	1~30
Rated Voltage	Vp-p	10
Current Consumption	mA	Max.7
Sound Pressure Level	dB	Min.85 at Rated Voltage at 10cm
Electrostatic Capacity	pF	28000±30% at 120Hz 1V
Dimension	mm	18x18xH12
Operating Temperature	°C	-20~+70
Weight(Max)	gram	4.0

SMD-240120F-12034K



Item	Unit	SMD-240120F-12034K
Oscillation Frequency	KHz	3400
Operating Voltage	V _{DC}	3~16
Rated Voltage	V _{DC}	12
Current Consumption	mA	Max.12
Sound Pressure Level	dB	Min.90 at Rated Voltage at 10cm
Tone/Pulse Rate		Constant
Dimension	mm	Φ24xH12.3
Operating Temperature	°C	-20~+70
Weight(Max)	gram	4.0

TEST WIRE

P1011

BNC to alligator clip test wire



P1014G

BNC-BNC test wire cold-resistant



P1012

BNC to alligator clip test wire



P1015

Double Alligator clips test wire



P1012G

BNC to alligator clip test wire



P1016

Alligator clip to banana plug test wire



P1013

BNC-BNC straight-through cable



P1017

Alligator clip to fork test wire



P1014

BNC-BNC test wire



P1018

Banana plug to fork test wire



TEST WIRE

P1019

BNC-fork
test wire



P1023

Double banana plug
test wire



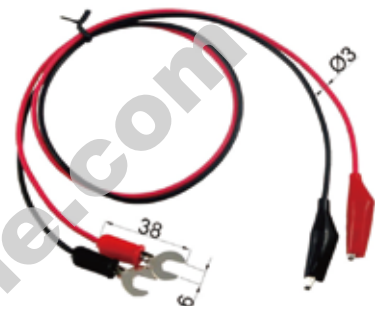
P1020

BNC-hook
test wire



P1024

Alligator clip to fork
test wire



P1020G

BNC-hook
test wire



P1025

test probe



P1021

Double alligator clip
test wire



P1026

Double banana plug
test wire



P1022

Banana plug to alligator clip
test wire



P1027

Double fork
test wire

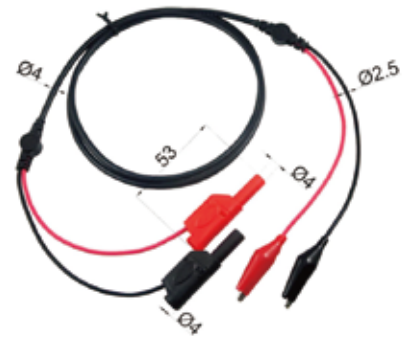


TEST WIRE

P1029
BNC-banana plug
test wire



P1044
Safety banana
plug/socket to
alligator clip
test wire



P1030
Alligator clip to hook
test wire



P1049
BNC to banana
plug/socket
test wire



P1034A
BNC banana plug/socket
test wire



P1049G
BNC to banana
plug/socket
test wire



P1034B
Double banana plug/socket
test wire



P1050
BNC to banana
plug/socket
test wire



P1038
Safety banana plug/socket
to hook test wire



P1050G
BNC to banana
plug/socket
cold-resistant



OSCILLOSCOPE PROBE



P6000 OSCILLOSCOPE PROBE I

- Operation manual
- Adjusting tool:adjusts compensation capacitance to assure the rapier match with oscillograph.
- Contractive-type acuminate hook
- 12cm earth wire with alligator clip
- Locating sleeve adapts to IC testing.
- 3 pairs of colorized cable markers
- European standard

Item	P6020	P6040	P6060	P6100	P6150	P6200
Attenuation	1X/10X					
System bandwidth	1X:DC-6MHz					
	10X:DC-20MHz	40MHz	60MHz	100MHz	150MHz	200MHz
Rise time	≤17.5ns	≤8.75ns	≤5.8ns	≤3.5ns	≤2.3ns	≤1.75ns
Input voltage	1X:≤300V DC +Peak AC; 10X:≤600V DC +Peak AC					
Input resistance	1X:1MΩ; 10X:10MΩ					
Input capacitance	1X:85pF-120pF; 10X:18.5pF-22.5pF					
Compensation scope	15pF-45pF			10pF-35pF		
Cable Length / Weight / Color	120cm / 48g / Gray					
Operating Temperature	-10°C -+50°C					
Technology	Integration of injection molding					



P6000 OSCILLOSCOPE PROBE II

- Opetation manual
- Adjusting tool:adjusts compensation capacitance to assure the rapier match with oscillograph.
- Contractive-type acuminate hook
- 12cm earth wire with alligator clip
- Locating sleeve adapts to IC testing.

Item	P6250	P6300	P6350	P6500
Attenuation	10X			
System bandwidth	10X:DC-250MHz	300MHz	350MHz	500MHz
Rise time	≤1.4ns	≤1.15ns	≤1ns	≤0.7ns
Input voltage	10X:<600V DC +Peak AC			
Input resistance	10X:10MΩ			
Input capacitance	10X:18.5pF-22.5pF			
Compensation scope	9pF-30pF		9pF-25pF	
Cable Length / Weight / Color	130cm / 48g / Gray			
Operating Temperature	-10°C -+50°C			
Technology	Integration of injection molding			

OSCILLOSCOPE PROBE



P7000 OSCILLOSCOPE PROBE

- Operation manual
- Adjusting tool: adjusts compensation capacitance to assure the rapier match with oscillograph.
- Contractive-type acuminate hook
- 12cm earth wire with alligator clip
- 3 pairs of colorized cable markers
- Locating sleeve adapts to IC testing.

Item	P7100	P7150	P7200	P7250	P7300
Attenuation	1X/10X				
System bandwidth	1X:DC-6MHz				
	10X:DC-100MHz	150MHz	200MHz	250MHz	300MHz
Rise time	≤3.5ns	≤2.3ns	≤1.75ns	≤1.4ns	≤1.15ns
Input voltage	1X:≤300V DC +Peak AC; 10X:≤600V DC +Peak AC				
Input resistance	1X:1MΩ; 10X:10MΩ				
Input capacitance	1X:85pF-120pF; 10X:18.5pF-22.5pF				
Compensation scope	15pF-35pF			9pF-30pF	
Cable Length / Weight / Color	130cm / 48g / Black				
Operating Temperature	-10°C - +50°C				
Technology	Integration of injection molding				



P9000 OSCILLOSCOPE PROBE

- Operation manual
- Adjusting tool: adjusts compensation capacitance to assure the rapier match with oscillograph.
- Contractive-type acuminate hook
- 12cm earth wire with alligator clip
- Locating sleeve adapts to IC testing.
- Three stalls switch

Item	P9060	P9100
Attenuation	1X/10X/REF	
System bandwidth	1X:DC-6MHz	
	10X:DC-60MHz	100MHz
Rise time	≤5.8ns	≤3.5ns
Input voltage	1X:≤300V DC +Peak AC; 10X:≤600V DC +Peak AC	
Input resistance	1X:1MΩ; 10X:10MΩ	
Input capacitance	1X:85pF-120pF; 10X:18.5pF-22.5pF	
Compensation scope	15pF-45pF	
Cable Length / Weight / Color	130cm / 48g / Black	
Operating Temperature	-10°C - +50°C	
Technology	Assembly	

OSCILLOSCOPE PROBE



P4000 HIGH VOLTAGE OSCILLOSCOPE PROBE

- Operation manual
- Adjusting tool: adjusts compensation capacitance to assure the rapier match with oscillograph.
- Contractive-type acuminated hook
- 12cm earth wire with alligator clip
- Locating sleeve adapts to IC testing.

Item	P4060	P4100
Attenuation	100X	
System bandwidth	60MHz	100MHz
Rise time	≤5.8ns	≤3.5ns
Input voltage	≤2000V DC +Peak AC	
Input resistance	100MΩ	
Input capacitance	18.5pF-22.5pF	
Compensation scope	15pF-35pF	
Cable Length / Weight / Color	120cm / 48g / Black	
Operating Temperature Range	-10°C -+50°C	
Technology	Assembly	



P5000 HIGH VOLTAGE OSCILLOSCOPE PROBE

- Operation manual
- Adjusting tool: adjusts compensation capacitance to assure the rapier match with oscillograph.
- Contractive-type acuminated hook
- 12cm earth wire with alligator clip
- Locating sleeve adapts to IC testing.

Item	P5100	P5101	P5104
Attenuation	100X	1000X	1000X
System bandwidth	100MHz	20MHz	20MHz
Rise time	≤3.5ns	≤17.5ns	≤17.5ns
Input voltage	≤4kVDC +Peak AC	≤10kVDC +Peak AC	≤40kVDC +Peak AC
Input resistance	100MΩ	1000MΩ	1000MΩ
Input capacitance	1pF-1.5pF	0.5pF-1.5pF	0.5pF-1.5pF
Compensation scope	20pF-30pF		
Cable Length / Weight / Color	130cm / 90g / Black		
Operating Temperature Range	-10°C -+50°C		
Technology	Assembly		

OSCILLOSCOPE PROBE

P2301 OSCILLOSCOPE PROBE



- ⊙ Operation manual
- ⊙ Adjusting tool: adjusts compensation capacitance to assure the rapier match with oscillograph.
- ⊙ Contractive-type acuminate hook
- ⊙ 12cm earth wire with alligator clip

Item	P2301B	P2501B	P2301C	P2501C
Attenuation	10X		100X	
System bandwidth	300MHz	500MHz	300MHz	500MHz
Rise time	≤1.15ns	≤0.7ns	≤1.15ns	≤0.7ns
Input voltage	10X:<1000V DC +Peak AC		100X:5KVDC +Peak AC	
Input resistance	10X:10MΩ		100X:100MΩ	
Input capacitance	10X:18.5pF-22.5pF			
Compensation scope	10pF-30pF		10pF-20pF	
Cable Length / Weight / Color	130cm/75g/Blue,Red			
Operating Temperature Range	-10°C -+50°C			
Technology	Assembly			



MD-5008

GT-1001B

GT-1001

GT-2002

GT-6887



**CHANGZHOU GLOBALTONE INT'L TRADE CO.,LTD.
CHANGZHOU GLOBALTONE ELECTRONICS CO.,LTD.**

Add: 217 Huangshan Road, Changzhou, Jiangsu, China 213022

Tel: 86-519-85155071 85155073

Fax: 86-519-85155075

E-mail: sales@cnglobaltone.com

MSN: samuel_chee@hotmail.com

<http://www.cnglobaltone.com>

[//www.globaltone.cn](http://www.globaltone.cn)