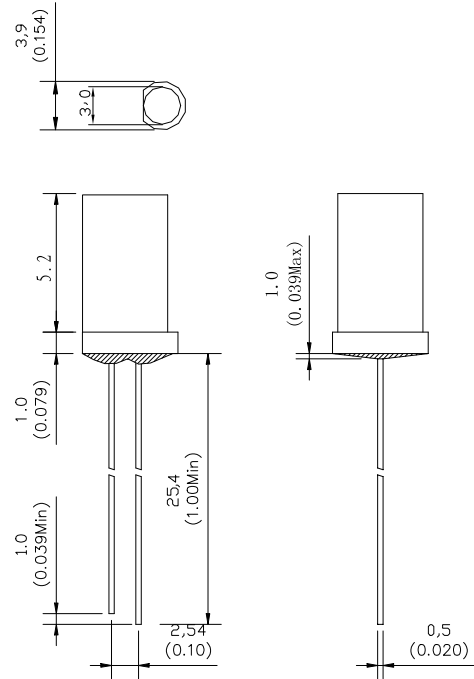


GNL-3034xx (Φ 3mm ROUND TYPE) Standard Brightness

ABSOLUTE MAXIMUM RATING:(Ta=25°C)

Parameter			Uni
DC Forward Current	30		mA
Reverse Voltage	5		V
Reverse Current (Vr=5V)	10		μA
Peak Forward Current ,tw ,=1 msec Duty ,=1/20	150		mA
Operation Temperature	-40	+80	°C
Storage Temperature	-40	+100	°C
Solder Dip (5 seconds,1.6mm from body) Temperature	300	±5	°C



Feature:

- 1.Small flange without stand-off
- 2.Long life-solid state reliability
- 3.Long lead length(25.4mm)
- 4.Versatile mounting on P.C. board or panel

Description:

- 1.The shape of this series is round
- 2.General application is for indication,illumination,etc.
- 3.These LED lamps are available with a choice of defferent colors,light intensities,epoxy colors,etc.

Part Number	EMITTED COLOR		Lens Color	Peak Wavelength (nm)	Vf (v) Typ.	IV (If=20mA) mcd		View Angle 2 θ 1/2
						Min.	Typ.	
GNL-3034UWC	InGaN	White	Water Clear	5500K-7500K	3.3	400	500	100°
GNL-3034UWC-Y	InGaN	White	Water Clear	2700K-3500K	3.3	850	950	110°
GNL-3034UEC	AlGaInP	Orange red	Water Clear	625	2.1	100	150	115°
GNL-3034UEC-TL	AlGaInP	Orange red	Water Clear	625	2.1	300	400	115°
GNL-3034UYC	AlGaInP	Yellow	Water Clear	590	2.1	200	250	120°
GNL-3034UYC-TL	AlGaInP	Yellow	Water Clear	590	2.1	350	500	110°