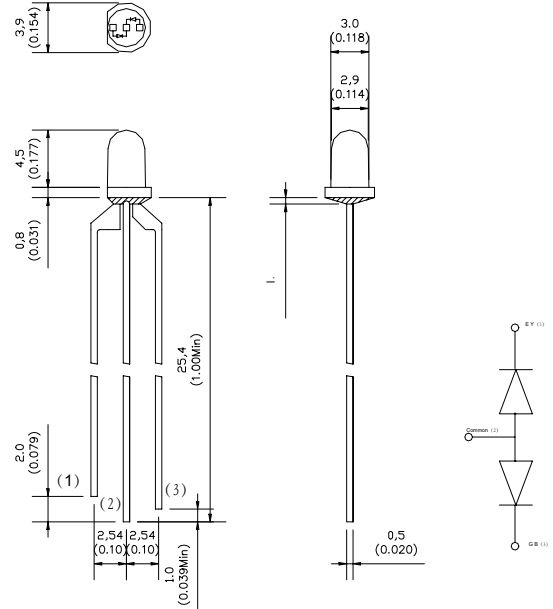


GNL-3015xx-A (3mm ROUND TYPE) Common Anode Bi-color series

ABSOLUTE MAXIMUM RATING:(Ta=25•)

Parameter			Unit
DC Forward Current	30		mA
Reverse Voltage	5		V
Reverse Current (Vr=5V)	10		μA
Peak Forward Current ,tw ,=1 msec Duty ,=1/20	150		mA
Operation Temperature	-40	+80	• •
Storage Temperature	-40	+100	• •
Solder Dip Temperature (5 seconds, 1.6mm from body)	300	• • • •	• •



Part Number	EMITTED COLOR		Mix Emitted Color	Lens Color	Peak Wave length (nm)	Vf (v) Typ.	IV (If=20mA) mcd		View Angle 2• 1/2
							Min.	Typ.	
GNL-3015EGW	GaAsp/Gap	Hi-Eff Red	Orange	White	635	2.0	8.0	15	60• •
	Gap	Green		Diffused	565	2.1	5.0	10	
GNL-3015YGW	Gap	Green	Yellow-Green	White	565	2.1	5.0	10	60• •
	GaAsp	Yellow		Diffused	585	2.1	5.0	10	
GNL-3015UEUBW	AlGaInP	Super Red	Purple	White	625	2.0	120	200	60• •
	InGaN	Super Blue		Diffused	470	3.5	110	180	
GNL-3015UEUGW	AlGaInP	Super Red	Orange	White	625	2.0	120	200	60• •
	AlGaInP	Super Green		Diffused	572	2.0	100	150	
GNL-3015EGC	GaAsp/Gap	Hi-Eff Red	Orange	Water Clear	635	2.0	20	40	30• •
	Gap	Green			565	2.1	15	25	
GNL-3015YGC	Gap	Green	Yellow-Green	Water Clear	565	2.1	15	25	30• •
	GaAsp	Yellow			585	2.1	15	25	
GNL-3015UEUGC	AlGaInP	Super Red	Orange	Water Clear	625	2.0	280	500	30• •
	AlGaInP	Super Green			572	2.0	260	350	
GNL-3015UEUBC	AlGaInP	Super Red	Purple	Water Clear	625	2.0	280	500	30• •
	InGaN	Super Blue			470	3.5	350	450	