

PIN Header Series

KLS1-218 PIN HEADER 2.54mm(0.100") Dual insulators high versatility

Electrical Characteristics:

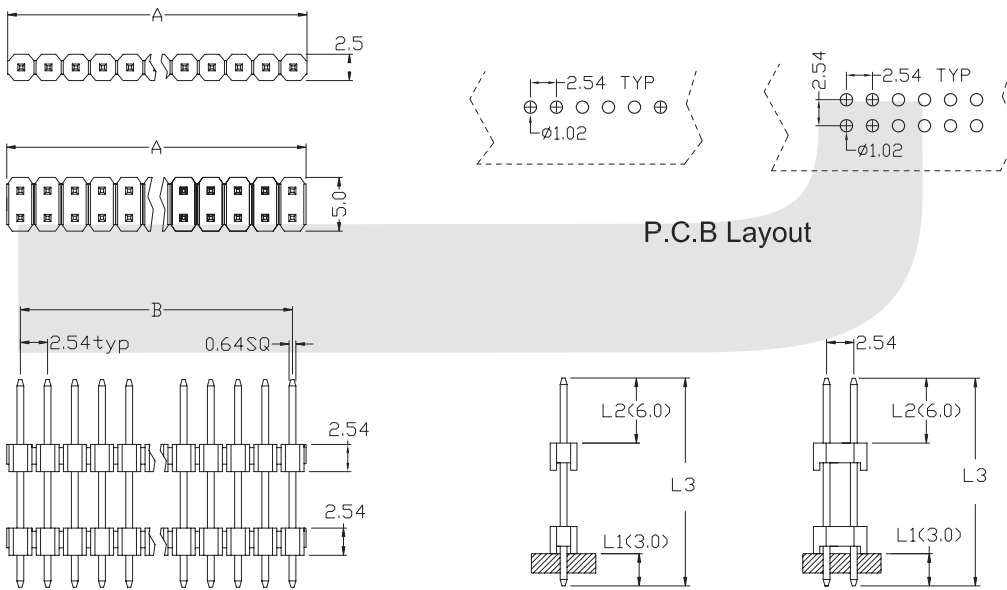
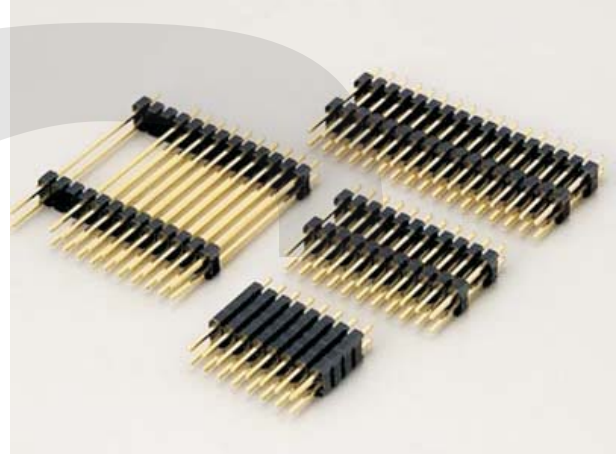
Current Rating: 1 AMP
 Insulator Resistance: 5000MΩmin. at DC 500V
 Contact Resistance: 20mΩmax. at DC 100mA
 Operating Temperature: -45°C~+105°C

Material:

Housing: 30% Glass filled PBT UL94V-0
 Contacts: Brass
 Plating: Selective gold plated: gold plated on mating area and nickel plated on wire cutting area
 Gold plated: 0.8u" over 50u" nickel
 Tin plated: 100u" over 50u" nickel

Features:

- * Dual insulators offer high versatility.
- * Side-to-side and end-to-end stackable.
- * Custom design provides excellent products flexibility.



P.C.B Layout

Position	1 Thru 40
Dimension	2 Thru 80
A±0.20	2.54 X No.of Positions
B±0.15	2.54 X No.of Positions -2.54

ORDER INFORMATION

Product No.: KLS1-218-1-XX-S-L1*L2*L3

Pos. No. _____ L1\L2\L3 Size _____
 Pin Header 2.54mm Dual _____ Tail Style: S=Straight Pin R=Right Pin T=SMT
 insulators high versatility Series _____
 1=Single layer 2=Double layer _____ Total pin number: XX=01-80Pin

PIN Header Series

KLS1-218 PIN HEADER 2.54mm(0.100") Dual insulators high versatility

Electrical Characteristics:

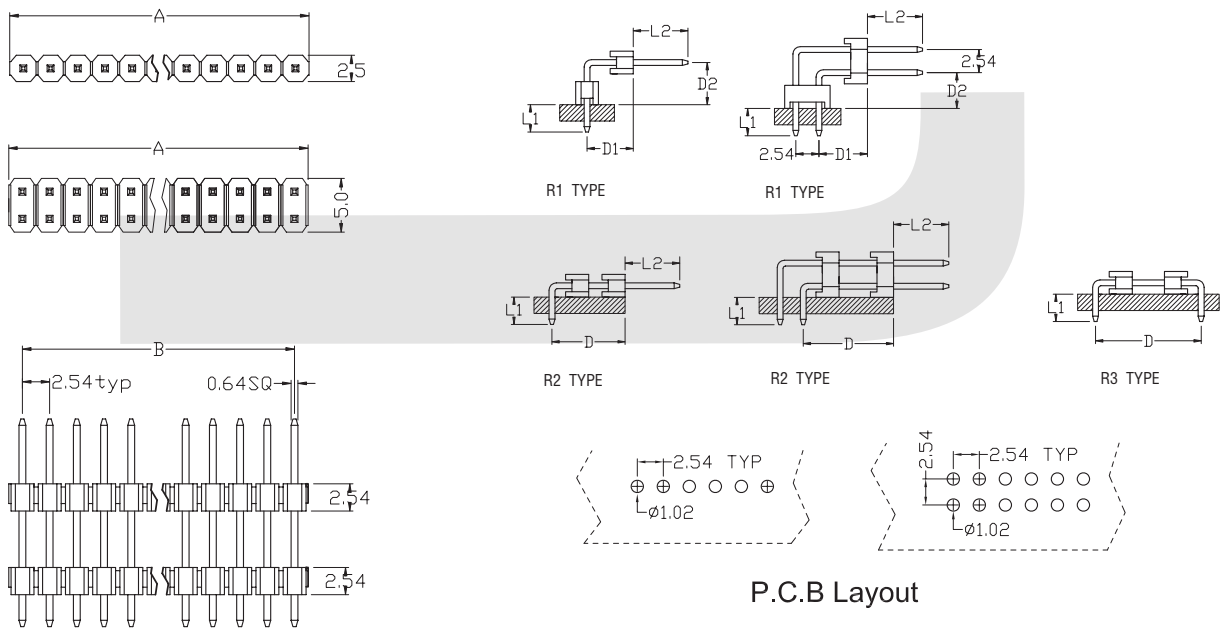
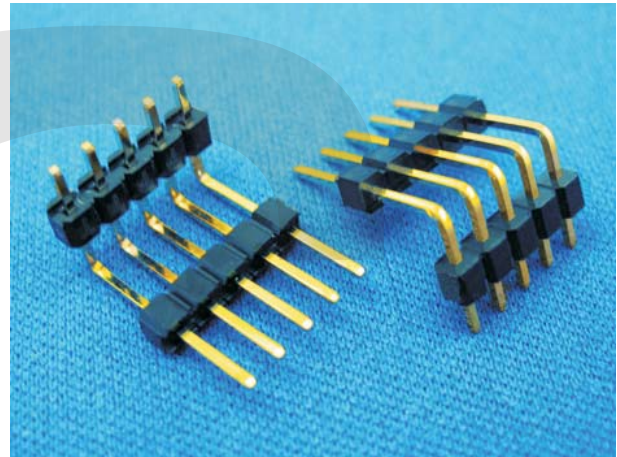
Current Rating: 1 AMP
Insulator Resistance: 5000MΩmin. at DC 500V
Contact Resistance: 20mΩmax. at DC 100mA
Operating Temperature: -45°C~+105°C

Material:

Housing: 30% Glass filled PBT UL94V-0
Contacts: Brass
Plating: Selective gold plated: gold plated on mating area and nickel plated on wire cutting area
Gold plated: 0.8u" over 50u" nickel
Tin plated: 100u" over 50u" nickel

Features:

- * Dual insulators offer high versatility.
- * Side-to-side and end-to-end stackable.
- * Custom design provides excellent products flexibility.



Position	1 Thru 40
Dimension	2 Thru 80
A±0.20	2.54 X No.of Positions
B±0.15	2.54 X No.of Positions -2.54

ORDER INFORMATION

Product No.: KLS1-218-1-XX-R 1-L1*L2*D

Pos. No. _____
Pin Header 2.54mm Dual _____
insulators high versatility Series _____
1=Single layer 2=Double layer _____
Total pin number: XX=01-80Pin _____
L1\|L2\D\D1 Size _____
Right Pin Type _____
Tail Style: S=Straight Pin R=Right Pin T=SMT

PIN Header Series

KLS1-218 PIN HEADER 2.54mm(0.100") Dual insulators high versatility

Electrical Characteristics:

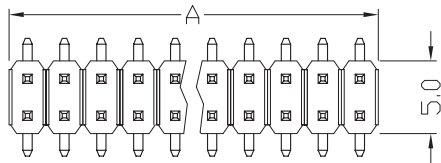
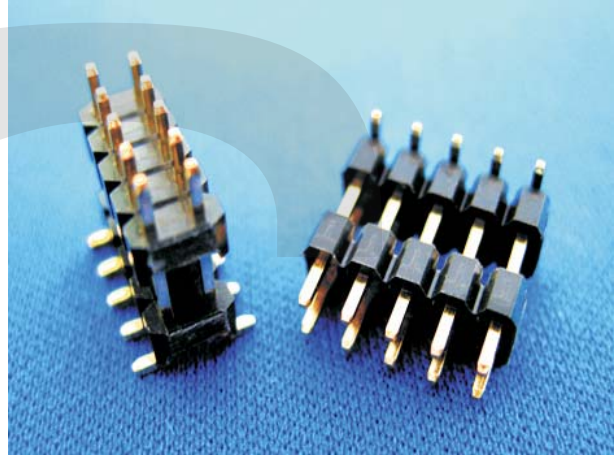
Current Rating: 1 AMP
 Insulator Resistance: 5000MΩmin. at DC 500V
 Contact Resistance: 20mΩmax. at DC 100mA
 Operating Temperature: -45°C~+105°C

Material:

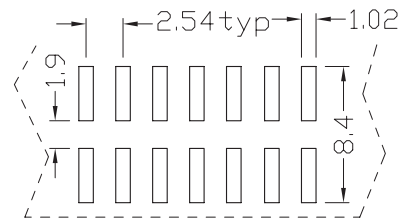
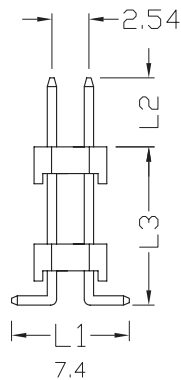
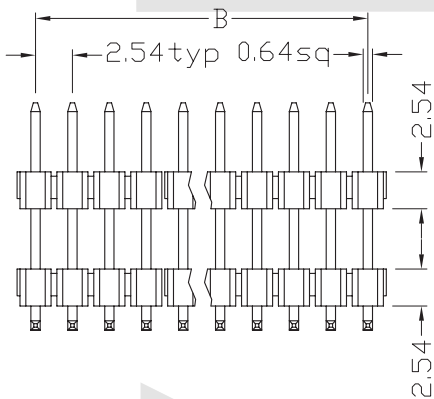
Housing: 30% Glass filled PBT UL94V-0
 Contacts: Brass
 Plating: Selective gold plated: gold plated on mating area and nickel plated on wire cutting area
 Gold plated: 0.8u" over 50u" nickel
 Tin plated: 100u" over 50u" nickel

Features:

- * Dual insulators offer high versatility.
- * Side-to-side and end-to-end stackable.
- * Custom design provides excellent products flexibility.



Position	2 Thru 80
Dimension	
A±0.20	2.54 X No.of Positions
B±0.15	2.54 X No.of Positions -2.54



T Type
P.C.B Layout

ORDER INFORMATION

Product No.: KLS1-218-1-XX-T -L1*L2*L3

Pos. No. _____
 Pin Header 2.54mm Dual insulators high versatility Series _____ L1\L2\L3 Size
 1=Single layer 2=Double layer _____
 Total pin number: XX=01-80Pin _____ Tail Style: S=Straight Pin R=Right Pin T=SMT

PIN Header Series

KLS1-218 PIN HEADER 2.54mm(0.100") Dual insulators high versatility

Electrical Characteristics:

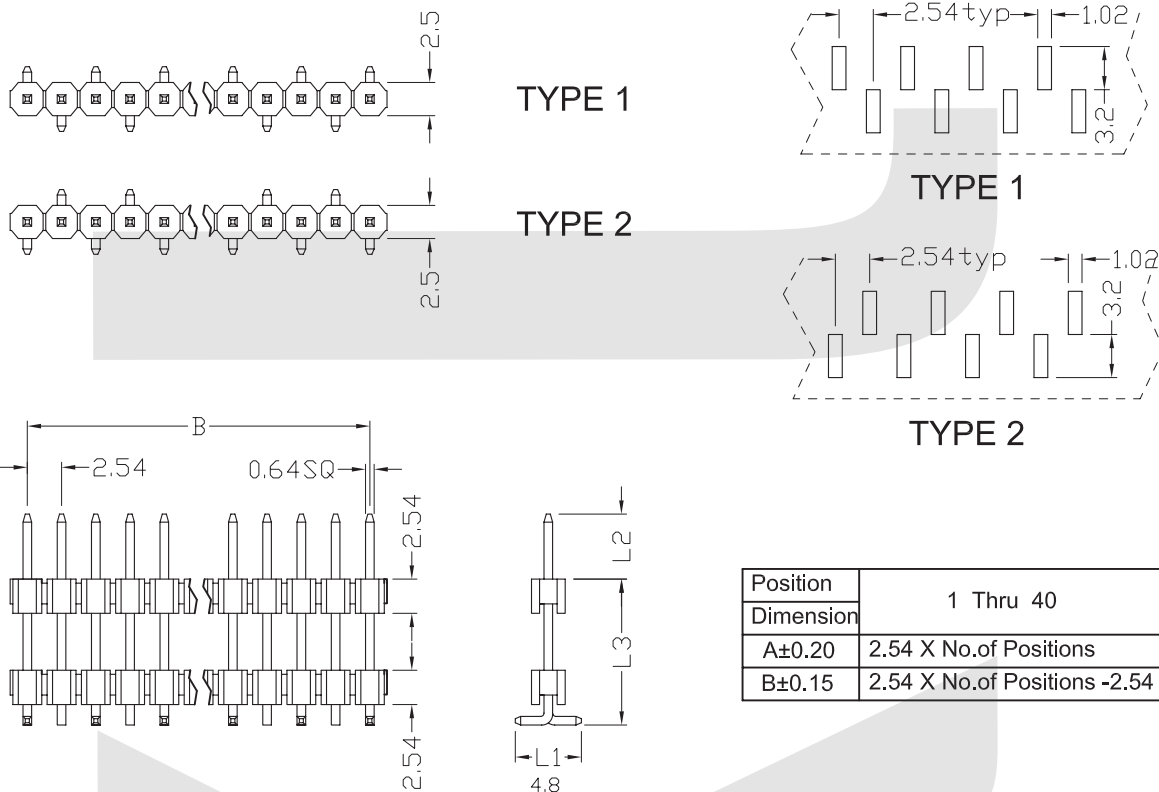
Current Rating: 1 AMP
Insulator Resistance: 5000MΩmin. at DC 500V
Contact Resistance: 20mΩmax. at DC 100mA
Operating Temperature: -45°C~+105°C

Material:

Housing: 30% Glass filled PBT UL94V-0
Contacts: Brass
Plating: Selective gold plated: gold plated on mating area and nickel plated on wire cutting area
Gold plated: 0.8u" over 50u" nickel
Tin plated: 100u" over 50u" nickel

Features:

- * Dual insulators offer high versatility.
- * Side-to-side and end-to-end stackable.
- * Custom design provides excellent products flexibility.



ORDER INFORMATION

Product No.: KLS1-218-1-XX-T 1-L1*L2*L3

Pos. No. _____
Pin Header 2.54mm Dual insulators high versatility Series _____ L1\L2\L3 Size
1=Single layer 2=Double layer _____ SMT Pin Type
Total pin number: XX=01-80Pin _____ Tail Style: S=Straight Pin R=Right Pin T=SMT