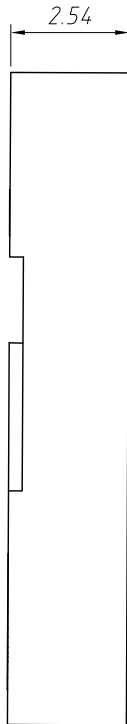
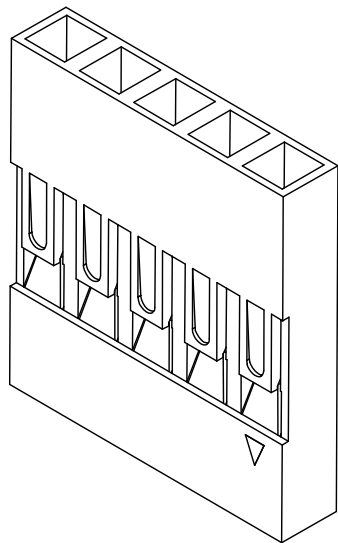
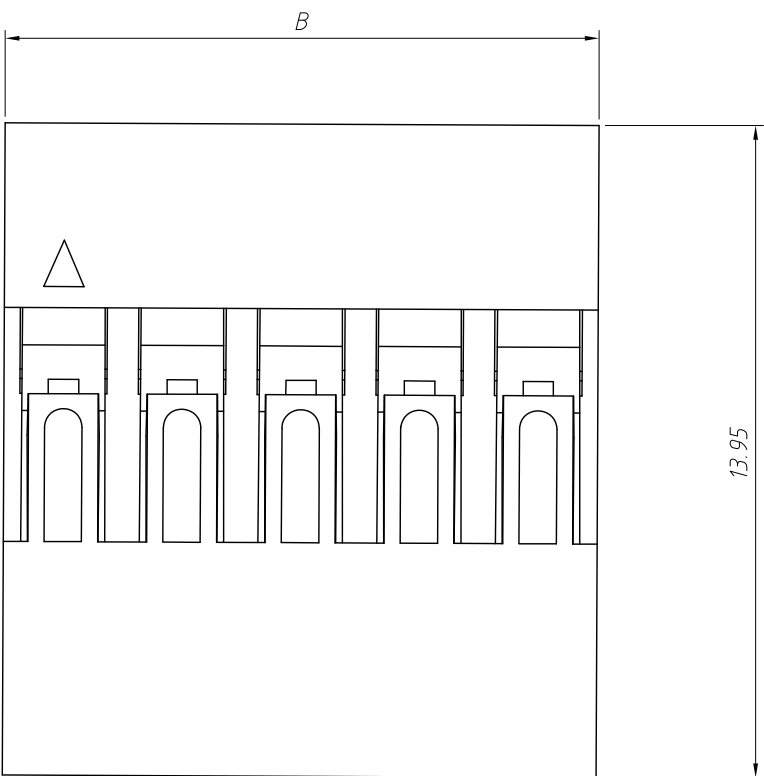
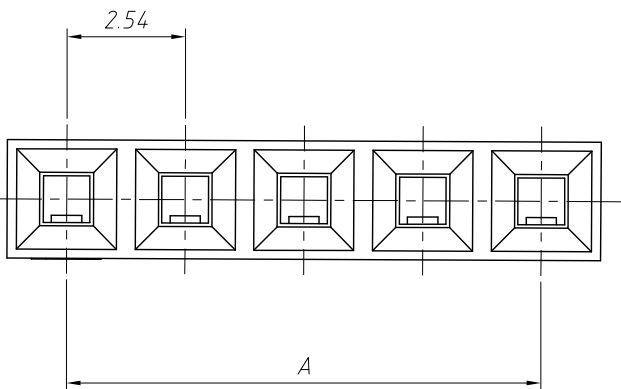


RoHS Compliance



Pin	Dimensions(mm)		Pin	Dimensions(mm)	
	A	B		A	B
02	2.54	5.08	22	53.34	55.88
03	5.08	7.62	23	55.88	58.42
04	7.62	10.16	24	58.42	60.96
05	10.16	12.70	25	60.96	63.50
06	12.70	15.24	26	63.50	66.04
07	15.24	17.78	27	66.04	68.58
08	17.78	20.32	28	68.58	71.12
09	20.32	22.86	29	71.12	73.66
10	22.86	25.40	30	73.66	76.20
11	25.40	27.94	31	76.20	78.74
12	27.94	30.48	32	78.74	81.28
13	30.48	32.02	33	81.28	83.82
14	32.02	35.56	34	83.82	86.36
15	35.56	38.10	35	86.36	88.90
16	38.10	40.64	36	88.90	91.44
17	40.64	43.18	37	91.44	93.98
18	43.18	45.72	38	93.98	96.82
19	45.72	48.26	39	96.82	99.06
20	48.26	50.80	40	99.06	101.60
21	50.80	53.34			

Material:  
Housing: PPO, UL 94 V-0, Black

Electrical Characteristics:  
Rated Current: 3.0 AMP  
Voltage rating: 250V AC, DC  
Temperature range: -25°C ~ +85°C  
Insulator Resistance: 1000MΩ Min  
Withstanding Voltage: 1500V AC/minute  
Contact Resistance: 20mΩ Max

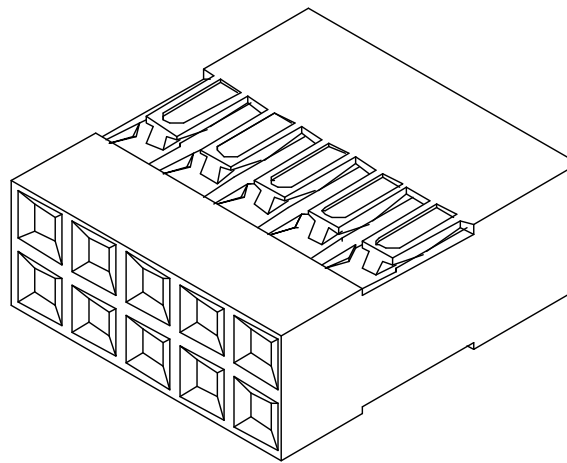
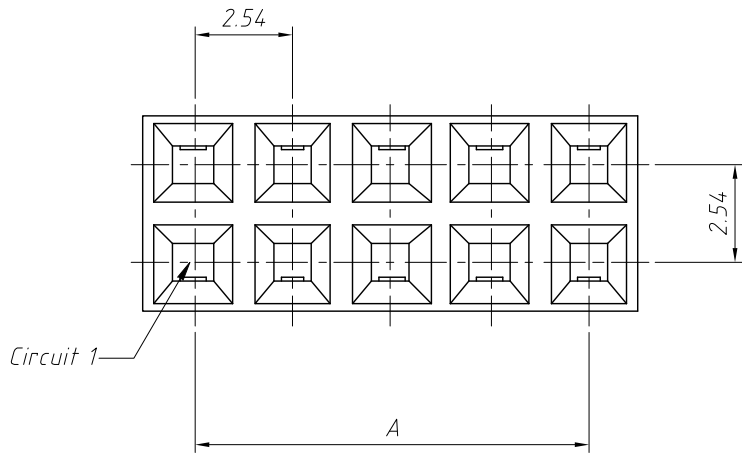
Order Information:  
L-KLS1-540A-1×XX-H  
L: RoHS  
Pitch: 2.54mm  
Row:  
1-Single layer  
2-Double layer  
XX-No. of 02 ~ 40pins  
Type:  
H-Hosing T-Terminal

ANGLE TOLERANCE	PROJECTION	Description:
±3°		2.54mm pitch Dupont Wire To Board Connectors
GENERAL TOLERANCE	UNITS	mm
x.x ±0.30	SHEET SIZE	A4
x.xx ±0.20	Draw:	Daniel 2021-01-11
x.xxx ±0.10	Check:	Daniel 2021-01-11

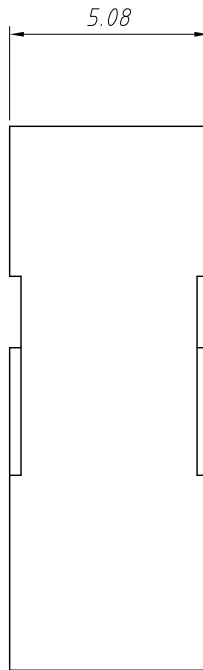
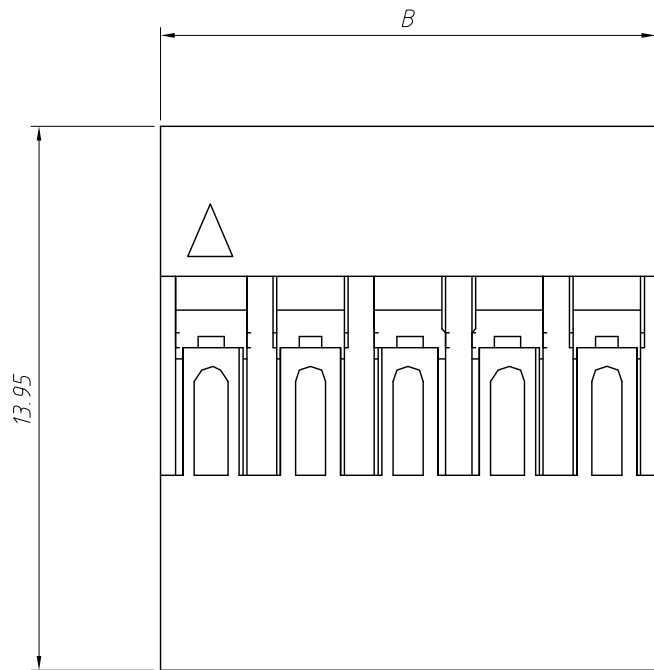
NingBo KLS ELECTRONIC CO.,L TD.

L-KLS1-540A-1×XX-H

RoHS Compliance



Pin	Dimensions(mm)		Pin	Dimensions(mm)	
	A	B		A	B
02	2.54	5.08	22	53.34	55.88
03	5.08	7.62	23	55.88	58.42
04	7.62	10.16	24	58.42	60.96
05	10.16	12.70	25	60.96	63.50
06	12.70	15.24	26	63.50	66.04
07	15.24	17.78	27	66.04	68.58
08	17.78	20.32	28	68.58	71.12
09	20.32	22.86	29	71.12	73.66
10	22.86	25.40	30	73.66	76.20
11	25.40	27.94	31	76.20	78.74
12	27.94	30.48	32	78.74	81.28
13	30.48	32.02	33	81.28	83.82
14	32.02	35.56	34	83.82	86.36
15	35.56	38.10	35	86.36	88.90
16	38.10	40.64	36	88.90	91.44
17	40.64	43.18	37	91.44	93.98
18	43.18	45.72	38	93.98	96.82
19	45.72	48.26	39	96.82	99.06
20	48.26	50.80	40	99.06	101.60
21	50.80	53.34			



**Material:**  
Housing: PPO, UL94 V-0, Black

**Electrical Characteristics:**  
Rated Current: 3.0AMP  
Voltage rating: 250V AC, DC  
Temperature range: -25°C ~ + 85°C  
Insulator Resistance: 1000MΩ Min  
Withstanding Voltage: 1500V AC/minute  
Contact Resistance: 20mΩ Max

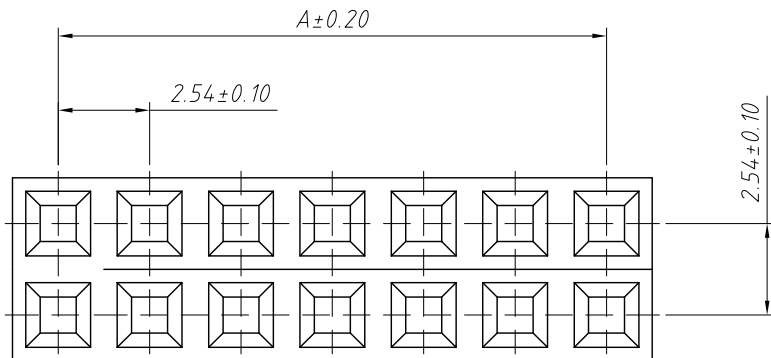
**Order Information:**  
L-KLS1-540A-2×XX-H  
L: RoHS  
Pitch: 2.54mm  
Row:  
1-Single layer  
2-Double layer  
XX-No. of 02 ~ 40pins  
Type:  
H-Hosing T-Terminal

ANGLE TOLERANCE	PROJECTION	Description:
±3°		2.54mm pitch Dupont Wire To Board Connectors
GENERAL TOLERANCE	UNITS	mm
x.x ±0.30	SHEET SIZE	A4
x.xx ±0.20	Draw:	Daniel 2021-01-11
x.xxx ±0.10	Check:	Daniel 2021-01-11

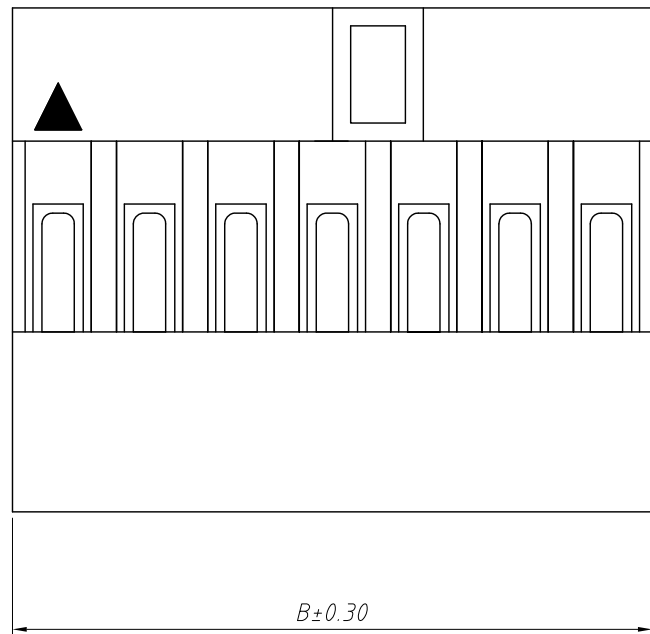


NingBo KLS ELECTRONIC CO.,LTD.

RoHS Compliance



2.40



**Material:**

Housing:PBT,UL 94 V-0

**Electrical Characteristics:**

Rated Current:3.0AMP

Voltage rating:250V AC,DC

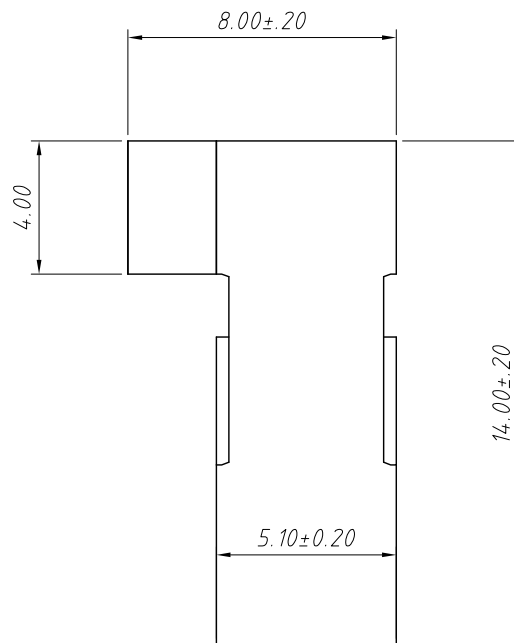
Temperature range:-25°C ~ + 85°C

Insulator Resistance:1000MΩ Min

Withstanding Voltage:1500V AC/minute

Contact Resistance:20mΩ Max

Pin	Dimensions(mm)		Pin	Dimensions(mm)	
	A	B		A	B
02	2.54	5.08	22	53.34	55.88
03	5.08	7.62	23	55.88	58.42
04	7.62	10.16	24	58.42	60.96
05	10.16	12.70	25	60.96	63.50
06	12.70	15.24	26	63.50	66.04
07	15.24	17.78	27	66.04	68.58
08	17.78	20.32	28	68.58	71.12
09	20.32	22.86	29	71.12	73.66
10	22.86	25.40	30	73.66	76.20
11	25.40	27.94	31	76.20	78.74
12	27.94	30.48	32	78.74	81.28
13	30.48	32.02	33	81.28	83.82
14	32.02	35.56	34	83.82	86.36
15	35.56	38.10	35	86.36	88.90
16	38.10	40.64	36	88.90	91.44
17	40.64	43.18	37	91.44	93.98
18	43.18	45.72	38	93.98	96.82
19	45.72	48.26	39	96.82	99.06
20	48.26	50.80	40	99.06	101.60
21	50.80	53.34			



**Order Information:**

L-KLS1-540AB-2×XX-H

L: RoHS

Pitch:2.54mm

Row:

1-Single layer

2-Double layer

XX-No. of 02 ~ 40pins

Type:

H-Hosing

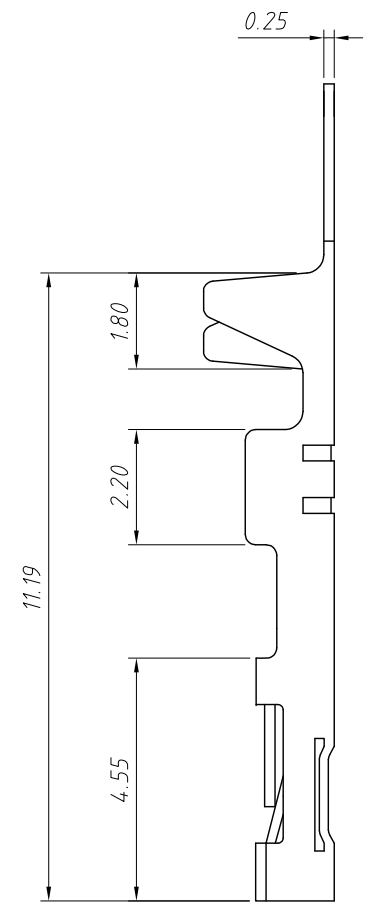
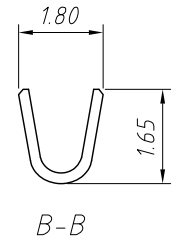
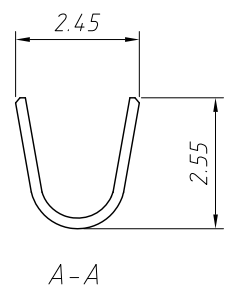
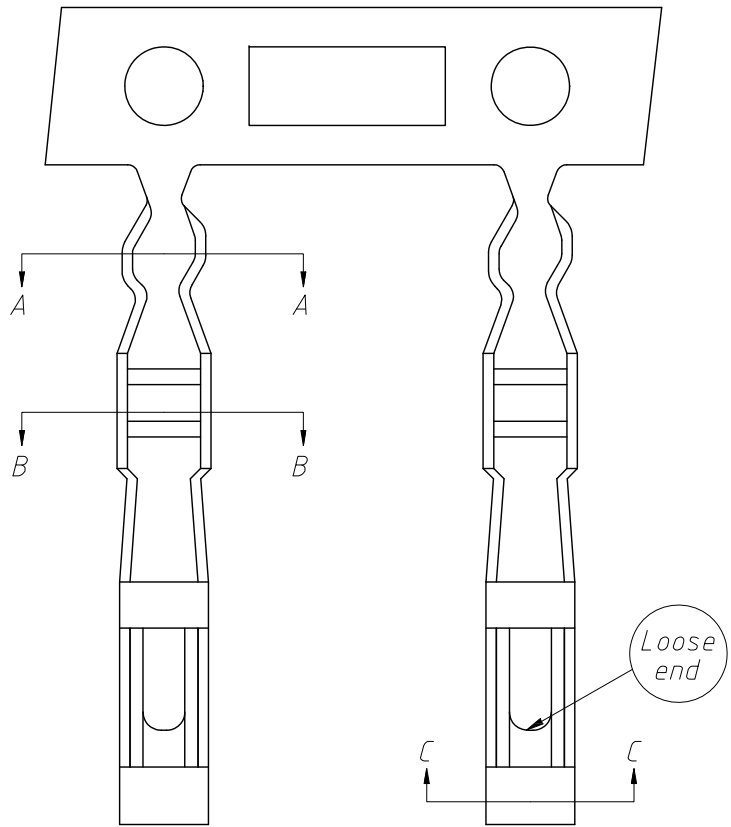
T-Terminal

ANGLE TOLERANCE	PROJECTION	Description:
±3°		2.54mm pitch Dupont Wire To Board Connectors
GENERAL TOLERANCE	UNITS	mm
x.x ±0.30	SHEET SIZE	A4
x.xx ±0.20	Draw:	Daniel 2021-01-11
x.xxx ±0.10	Check:	Daniel 2021-01-11



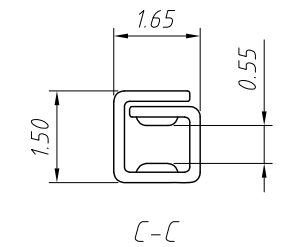
NingBo KLS ELECTRONIC CO.,L TD.

1  
RoHS Compliance



**Material:**  
 Terminal: Phosphor Bronze / Brass  
 Plating: Tin plated over Gold-Flash  
 Applicable wires: AWG #22 ~ # 26  
 Insulation O.D: 1.63mm  
 Qty/reel: 10000 pcs

**Electrical Characteristics:**  
 Rated Current: 3.0AMP  
 Voltage rating: 250V AC,DC  
 Temperature range: -25°C ~ + 85°C  
 Insulator Resistance: 1000MΩ Min  
 Withstanding Voltage: 1500V AC/minute  
 Contact Resistance: 20mΩ Max



**Order Information:**  
 L-KLS1-540A-T  
 L: RoHS  
 Pitch: 2.54mm  
 Type: H-Hosing T-Terminal

ANGLE TOLERANCE	PROJECTION	Description:	
±3°		2.54mm pitch Dupont Wire To Board Connectors	
GENERAL TOLERANCE	UNITS	mm	KLS P/N: L-KLS1-540A-T
x.x ±0.30	SHEET SIZE	A4	NingBo KLS ELECTRONIC CO.,L TD.
x.xx ±0.20	Draw:	Daniel 2021-01-11	
x.xxx ±0.10	Check:	Daniel 2021-01-11	