

DC Power Plug Series

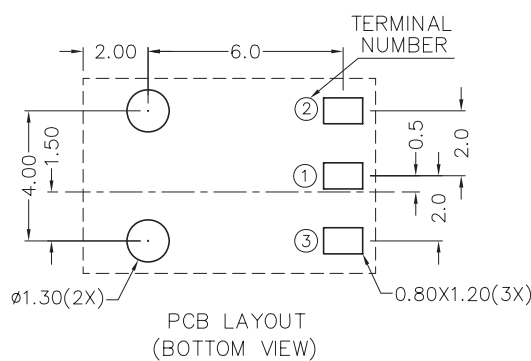
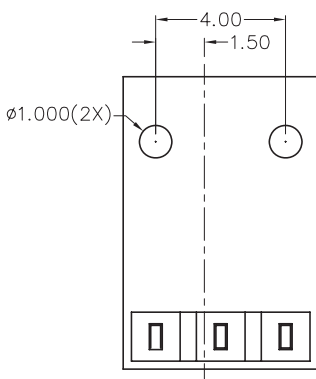
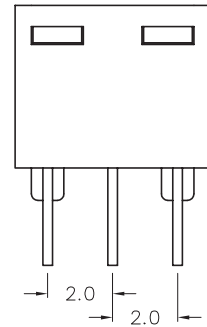
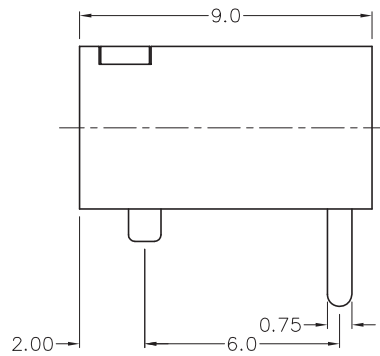
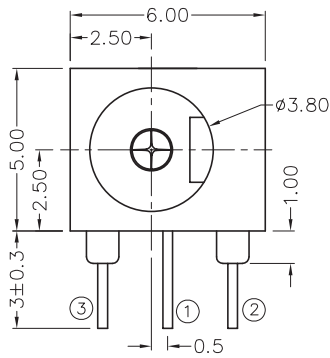
KLS1-DC-008 (DC Power Socket)

Technical parameters:

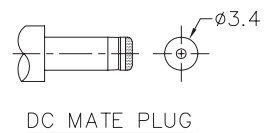
Contact resistance: 0.03Ω, max
 Insulation resistance: 100MΩ, min
 Pressure: AC500V (50Hz) / 1minute
 Rated Load: DC 16V 2.0A Max
 Actuating Force: 3~20N
 Life: 5000 times
 Operating Temperature: -30°C ~ 70°C

Material:

Terminal 1 : Brass
 Terminal 2 : Copper alloy
 Terminal 3 : Brass
 Housing : Pa66
 Cover : Pa66



MODEL NO.	DC-008
SCHEMATIC	
CENTER PIN	ø1mm ø1.3mm



ORDER INFORMATION

Product NO.: KLS1-DC-008-1.0

