



## DC Power Plug Series

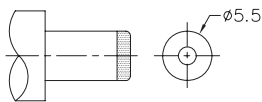
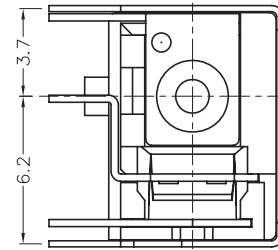
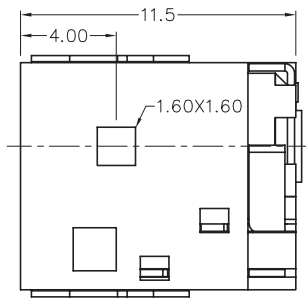
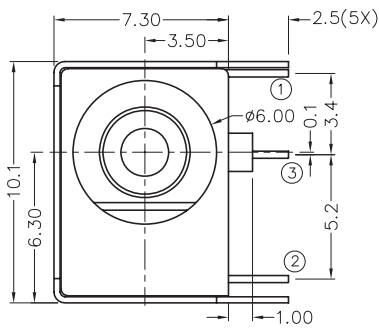
KLS1-DC-018 (DC Power Socket)

### Technical parameters:

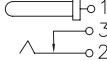
Contact resistance: 0.03Ω, max  
 Insulation resistance: 100MΩ, min  
 Pressure: AC500V (50Hz) / 1minute  
 Rated Load: DC 16V 2.0A Max  
 Actuating Force: 3~20N  
 Life: 5000 times  
 Operating Temperature: -30°C ~ 70°C

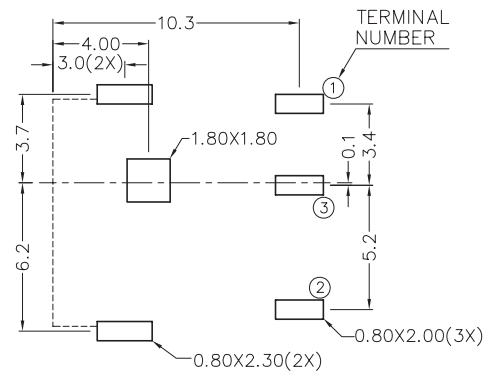
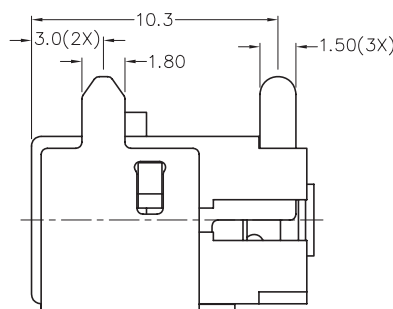
### Material:

Centre Pin: Copper  
 Terminal 1: Brass  
 Terminal 2: Copper alloy  
 Terminal 3: Brass  
 Housing: PBT  
 Shield: PBT



DC MATE PLUG

MODEL NO.	DC-018
SCHEMATIC	
CENTER PIN	ø1.65mm
	ø2mm
	ø2.5mm



PCB LAYOUT  
(BOTTOM VIEW)

## ORDER INFORMATION

Product NO.: KLS1-DC-018-2.0

