



## DC Power Plug Series

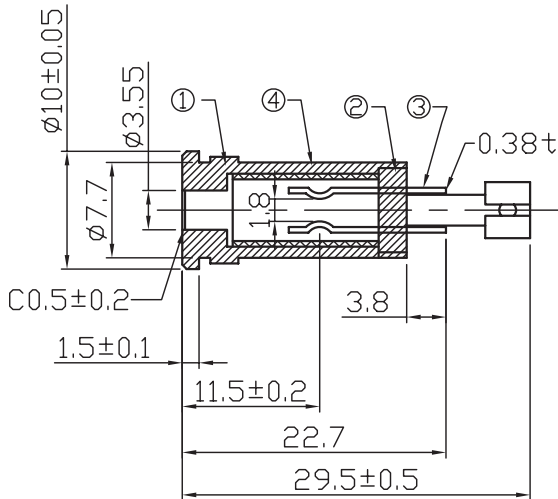
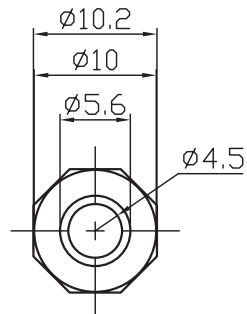
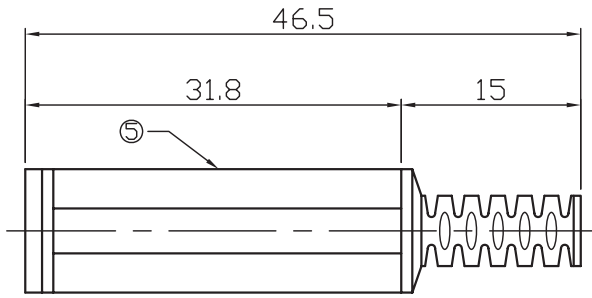
KLS1-DCP-03 (DC Plug)

### Technical parameters:

Contact resistance: 0.03Ω, max  
Insulation resistance: 100MΩ, min  
Pressure: AC500V (50Hz) / 1minute  
Rated Load: DC30V,1.0A  
Actuating Force: 3~20N  
Life: 5000 times  
Operating Temperature:-30°C ~ 70°C

### Material:

- 1 BRASS (NICKEL)
- 2 ABS (WHITE)
- 3 P-BRONZE
- 4 PLASTIC TUBE
- 5 P-E (BLACK)



Part No.	A(mm)	C(mm)	L(mm)
2.1A	2.1	5.5	31.8
2.5A	2.5	5.5	31.8
3.5A	3.5	5.5	31.8

## ORDER INFORMATION

Product NO.: KLS1-DCP-03-2.1A

