

PCB Modular Jack Series

KLS12-123-4P PCB Modular Jack 55 Series

MATERIAL

- 1.Housing Material: Glass Filled Polyester UL94V-0 PBT, NYLON
- 2.Housing Color: Black, Gray, Ivory, White or others
- 3.Contact Material: Phosphor Bronze $\Phi 0.46\text{mm}$
- 4.PLATING: Gold plating over nickel. Gold plating thickness 1.5u" / 3u" / 6u" / 15u" / 30u" / 50u"

ELECTRICAL

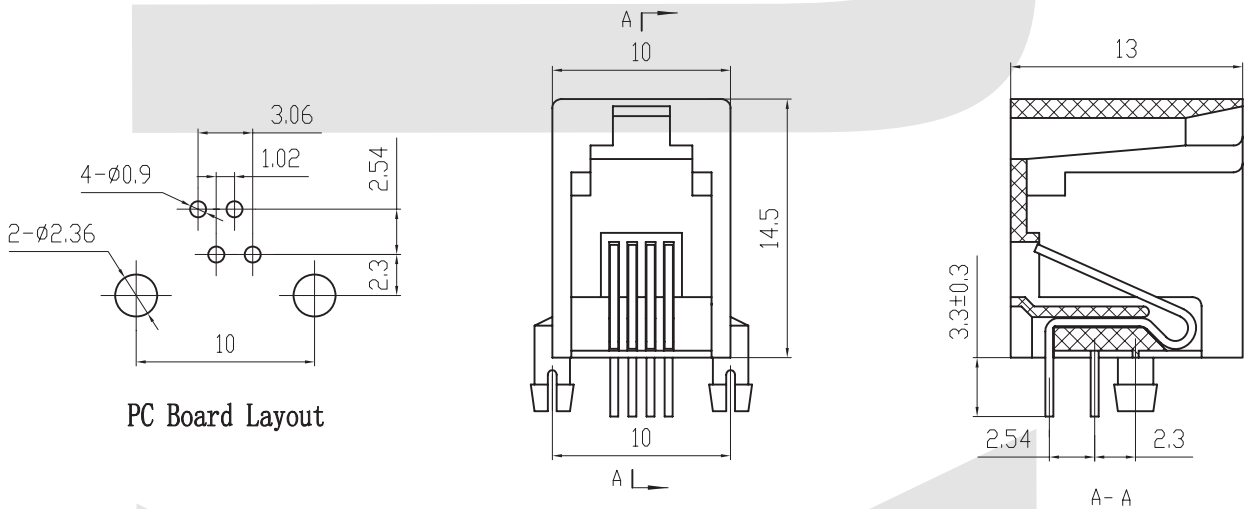
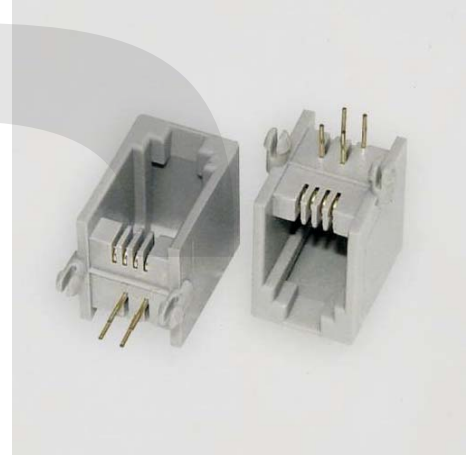
- 1.Current Rating: 1.5 Amp
- 2.Voltage Rating: 125VAC
- 3.Contact Resistance: 30 M Ω Max.
- 4.Insulation Resistance: 500 M Ω Min. @ 500VDC
- 5.Withstanding Voltage: 1000VAC RMS 50Hz 1 minute

MECHANICAL

- 1.Durability : 750 cycles Min.
- 2.PCB Retention pre-solder : 1 LB MIN

ENVIRONMENTAL

- 1.Storage :-40°C~+80°C
- 2.Operation:-40°C~+70°C



PC Board Layout

A - A

ORDER INFORMATION

KLS12-123- 4P4C-W/O-B-XX-X

Part Number	Point NO.	Panel	Part Color	Gold Thickness	Plastic
	4P4C Point 4P2C Point	W-With Panel W/O-Without Panel	1-Black 2-Gray 3-White 4-IV	01-Fu" 02-3u" 03-6u" 04-15u" 05-30u" 06-50u	1-Nylon 2-PBT 3-ABS

PCB Modular Jack Series

KLS12-123-4P PCB Modular Jack 55 Series

MATERIAL

- 1.Housing Material: Glass Filled Polyester UL94V-0 PBT, NYLON
- 2.Housing Color: Black, Gray, Ivory, White or others
- 3.Contact Material: Phosphor Bronze $\Phi 0.46\text{mm}$
- 4.PLATING: Gold plating over nickel. Gold plating thickness
1.5u" / 3u" / 6u" / 15u" / 30u" / 50u"

ELECTRICAL

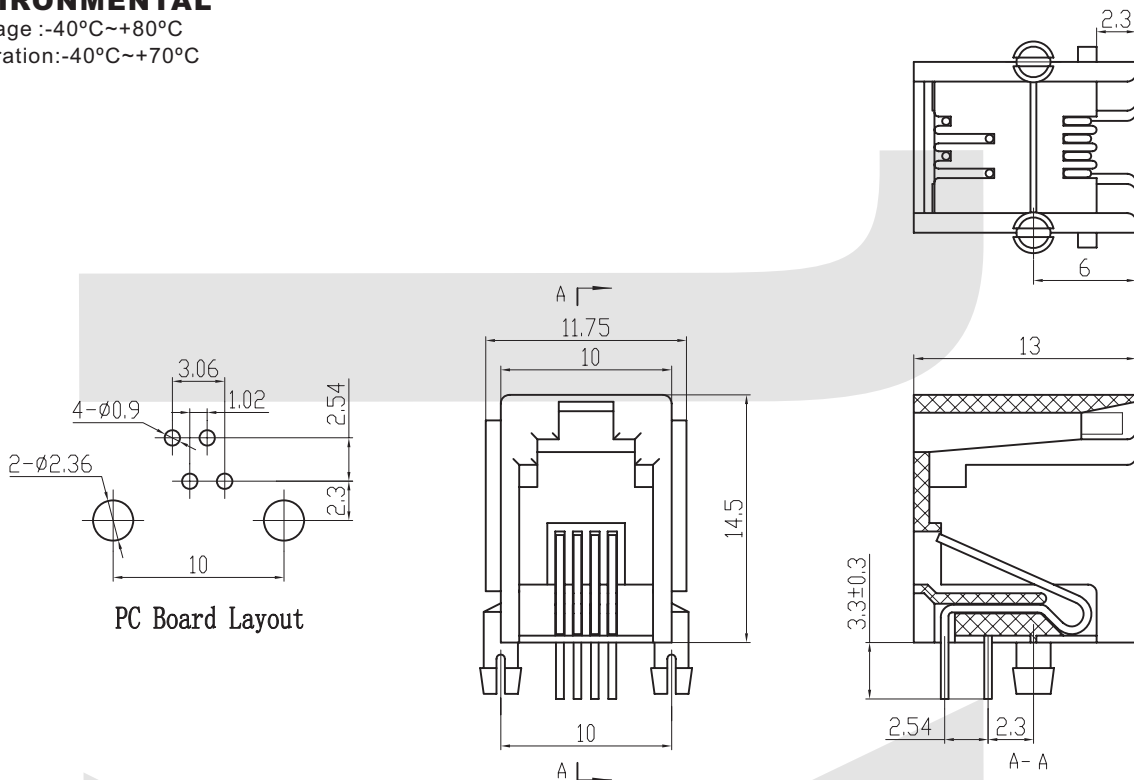
- 1.Current Rating: 1.5 Amp
- 2.Voltage Rating: 125VAC
- 3.Contact Resistance: 30 M Ω Max.
- 4.Insulation Resistance: 500 M Ω Min. @ 500VDC
- 5.Withstanding Voltage: 1000VAC RMS 50Hz 1 minute

MECHANICAL

- 1.Durability : 750 cycles Min.
- 2.PCB Retention pre-solder : 1 LB MIN

ENVIRONMENTAL

- 1.Storage :-40°C~+80°C
- 2.Operation:-40°C~+70°C

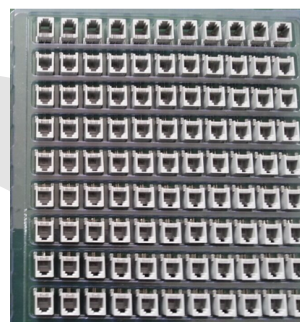
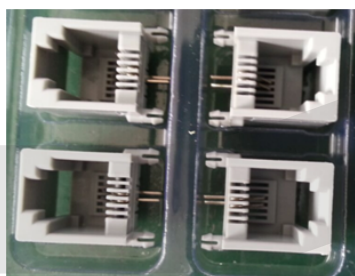


ORDER INFORMATION

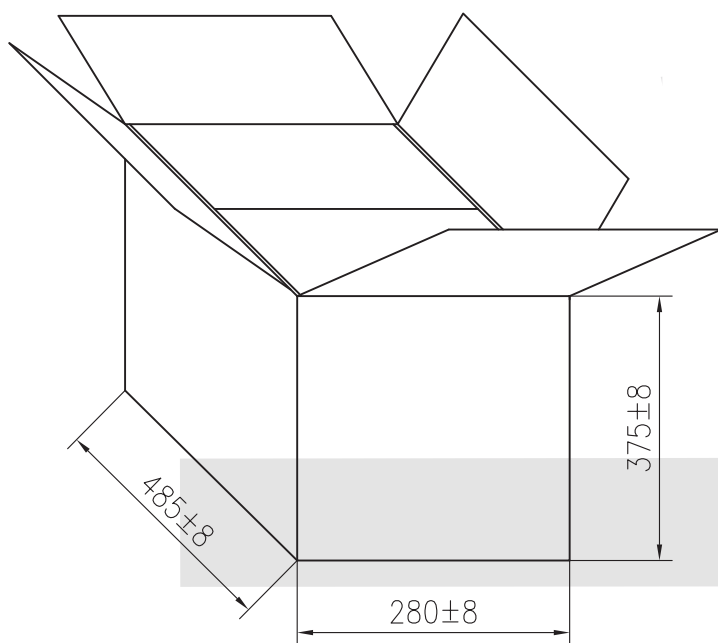
KLS12-123- 4P4C- W -B-XX-X

Part Number	Point NO.	Panel	Part Color	Gold Thickness	Plastic
	4P4C Point 4P2C Point	W-With Panel W/O-Without Panel	1-Black 2-Gray 3-White 4-IV	01-Fu" 02-3u" 03-6u" 04-15u" 05-30u" 06-50u	1-Nylon 2-PBT 3-ABS

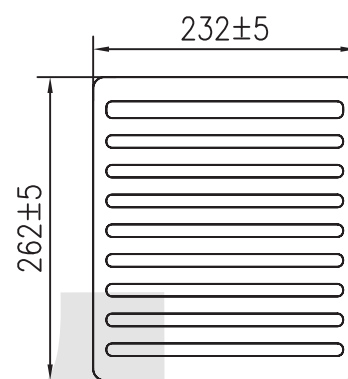
4P Packing



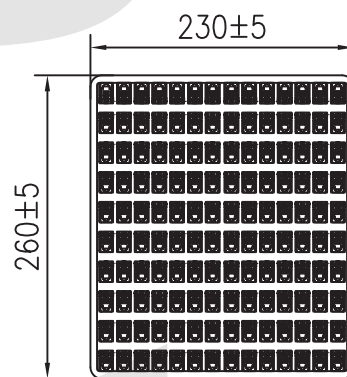
①



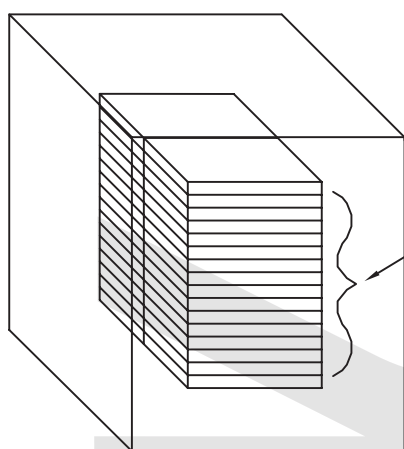
④



② 上盖 (Cover)



③ 底盖 (Base)

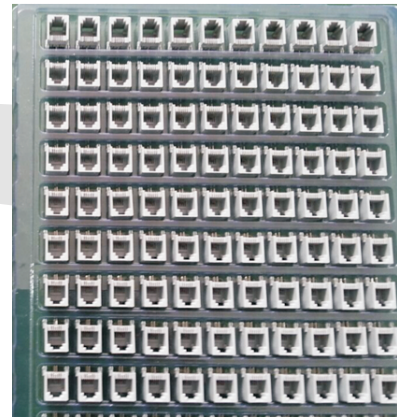
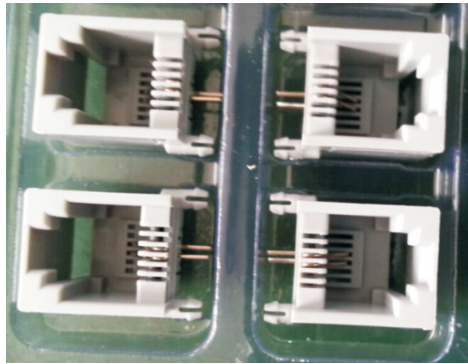


透视图 (Scenograph)

产品 (Product)
真空盒共25层

序号 (NO.)	名称 (Name)	型号规格 (Model) 长X宽X高 (MM) (LongXWideXHigh)	装箱规格 (Pack Specification)	
			Q' TY	
4	纸箱 (Cardboard box)	485x280x375	Q' TY	50盒/箱 (Tray/CTN)
3	底盖 (Base)	260x230x14.5		140PCS/盒 (Dish)
2	上盖 (Cover)	262x232x14.5		NW: 9.5 KGS
1	产品 (Product)	17.6x12.8x13		GW: 14 KGS

8P Packing



XII

