

TERMINAL BLOCK Connector

Screwless Series

KLS2-142R-5.08 Series Pitch=5.08mm

Electrical :

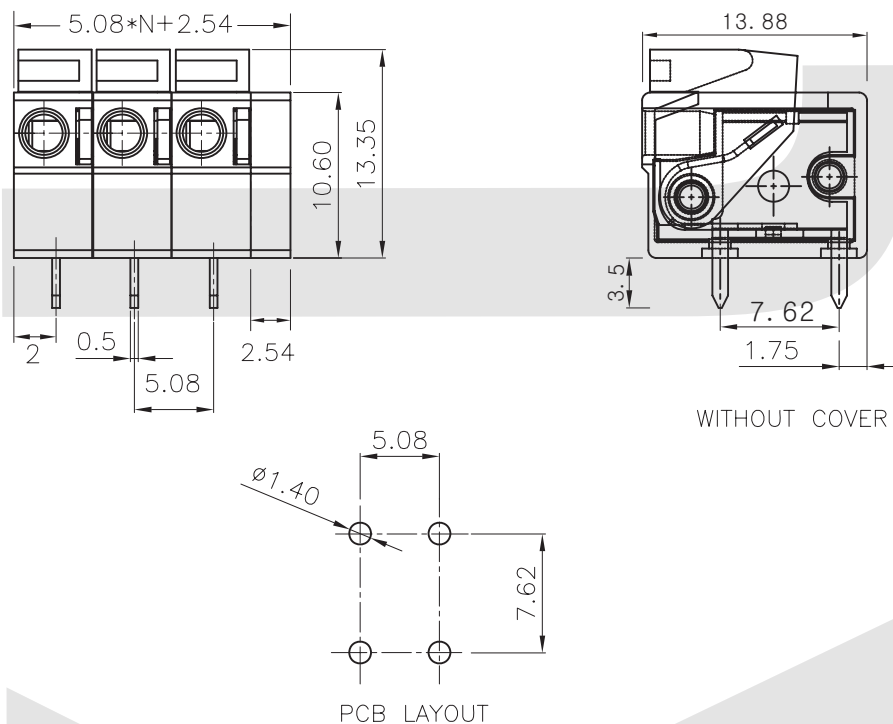
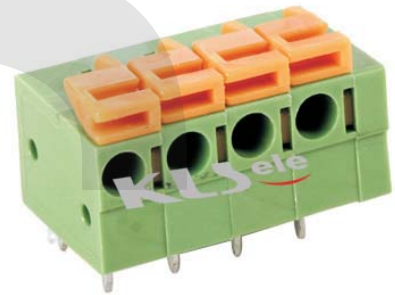
- Rated voltage: 300V
- Rated current: 10A
- Contact resistance: 20mΩ
- Insulation resistance: 5000MΩ/1000V
- Withstanding Voltage: AC1500V/1Min
- Wire range: 22-14AWG 1.5MM²

Material

- Pin header: Brass, Tin plated
- Housing: PA66, UL94V-0
- Wire guard : Stainless steel

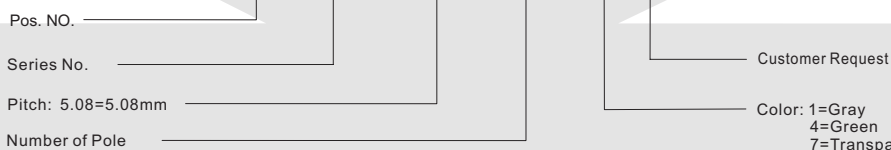
Mechanical

- Temp. Range: -40°C~+105°C
- MAX Soldering: +250°C for 5 Sec.
- Strip length: 10mm



ORDER INFORMATION

Product NO.: KLS2-142R-5.08-XXP X X



- Color: 1=Gray 2=Blue 3=Black
4=Green 5=Orange 6=Red
7=Transparent 8=Yellow 9=White