

TERMINAL BLOCK Connector



Screwless Series

KLS2-235R-3.81/5.00 Series Pitch=3.81mm/5.00mm

Electrical :

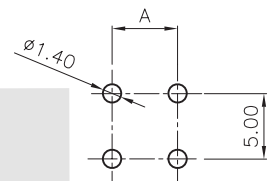
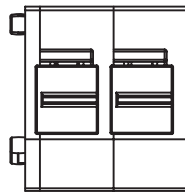
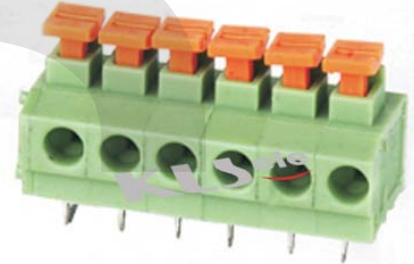
- Rated voltage: 300V
- Rated current: 5A
- Contact resistance: 20mΩ
- Insulation resistance: 5000MΩ/1000V
- Withstanding Voltage: AC1500V/1Min
- Wire range: 20-14AWG 1.5MM²

Material

- Pin header: Phosphor bronze, Tin plated
- Housing: PA66, UL94V-0
- Wire guard : Stainless steel

Mechanical

- Temp. Range: -40°C~+105°C
- MAX Soldering: +250°C for 5 Sec.
- Strip length: 9-10mm



RECOMMEND PCB LAYOUT
(TOLERANCE=±0.05)

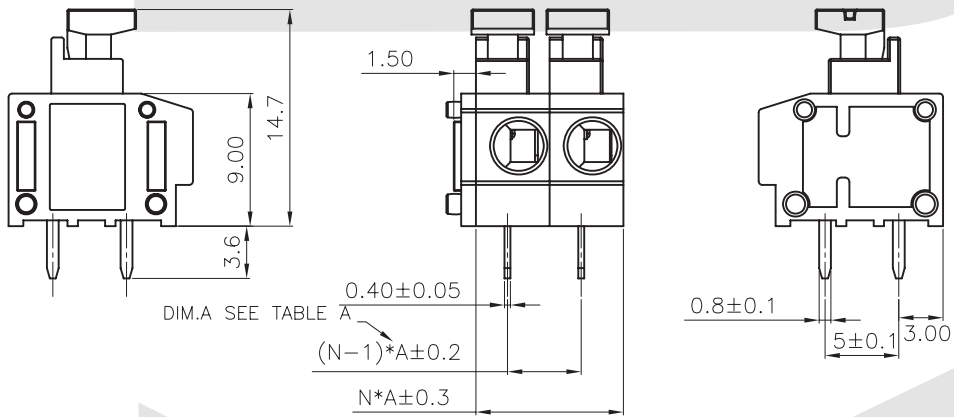


TABLE A

TYPE	Dimension
	A
1	3.81
2	5.00
3	7.50
4	10.00

ORDER INFORMATION

Product NO.: KLS2-235R-3.81-XXP X X



- Color: 1=Gray 2=Blue 3=Black
4=Green 5=Orange 6=Red
7=Transparent 8=Yellow 9=White