

TERMINAL BLOCK Connector



Barrier Series

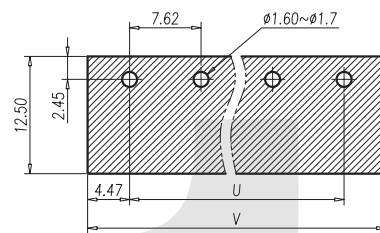
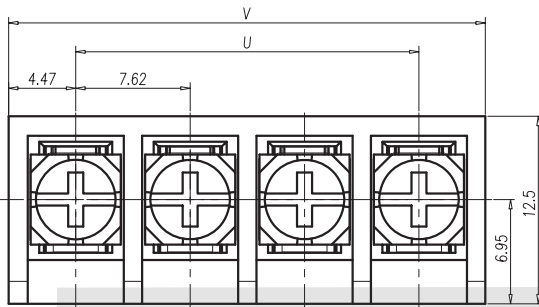
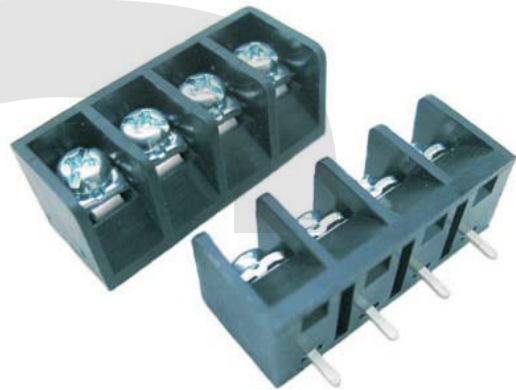
KLS2-56B-7.62 Series

Electrical

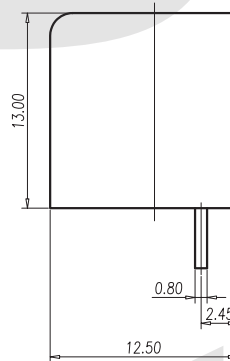
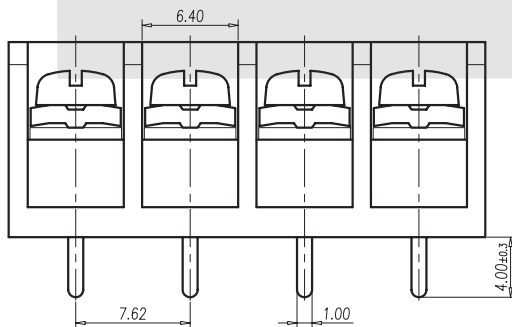
Voltage rating : 300V
 Current rating : 10A
 Wire range : 14-22AWG
 Operation temperature : -40°C to +105°C
 Torque : 4kg/cm
 Insulation Resistance: 500MΩ/DC500V
 Withstanding Voltage: AC2000V/Min

MATERIAL

Housing : PA 66 UL94V-0
 Terminal : Brass 0.8t, Tin plated
 Screws : M3 Steel, Nickel Plated



P.C.B. LAYOUT



P	2	3	4	5	6	7
L	16.46	24.08	31.7	39.32	46.94	54.56
P	8	9	10	11	12	
L	62.18	69.8	77.42	85.04	92.66	

ORDER INFORMATION

Product NO.: KLS2-56B-7.62 XXP B

Pos. NO. _____

Series No. _____

Pitch 7.62=7.62mm _____

A=Mount Ends B=Barrier Ends

Pin Number _____