

## Proximity sensor

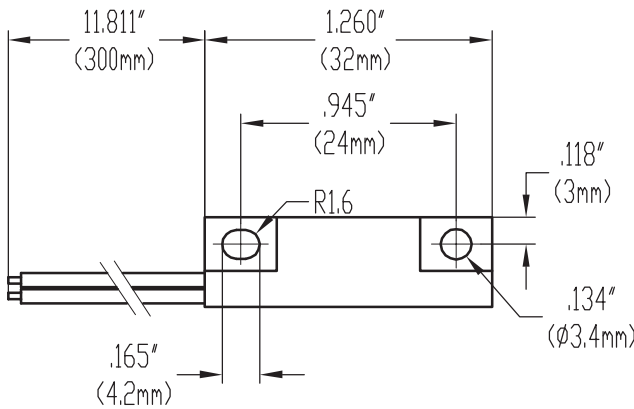
KLS26-MR3210 Proximity sensor

### Material:

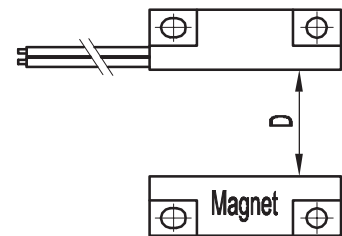
Magnet:Ferrite  
Float body:ABS  
Wire:UL 1007 24# black  
Filling:epoxy glue  
Reed switch:324

### Electrical Specification:

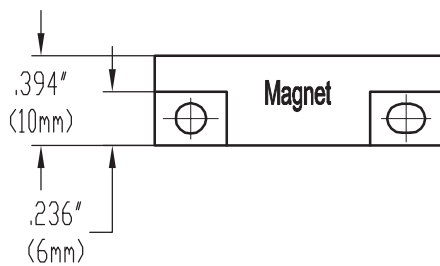
Contact rating:10W  
Max switching current:DC100/AC100  
Breakdown voltage:150 min  
Max switching voltage:DC0.5  
Max carry current:1.0A  
Contact resistance:100 max  
Insulation resistance: $10^{10}$  min  
Get an electric shock life: $10^7$   
Applicable temperature:-10°C~+85°C



Movement explanation



**Movement explanation:**  
When  $D=18\pm 1$ mm, the reed switches will be closed.



## ORDER INFORMATION

Product NO.: KLS26-MR3210

