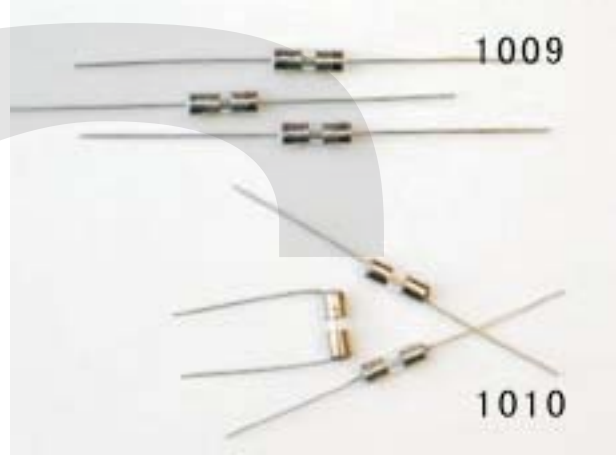
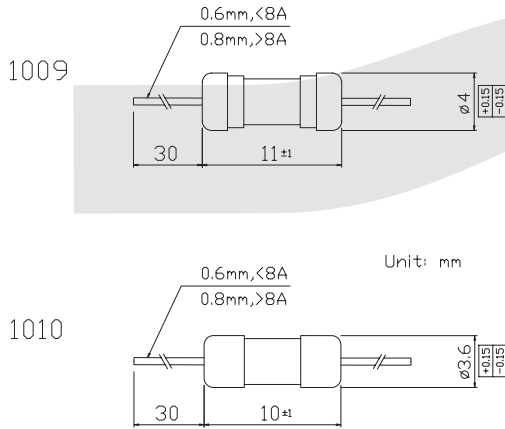


# FUSE AND FUSE HOLDER

## Φ3.6x10 Glass Tube Fuse Series

### KLS5-1009/1010 Φ3.6x10 Glass Tube Fuse (Slow Blow) Series



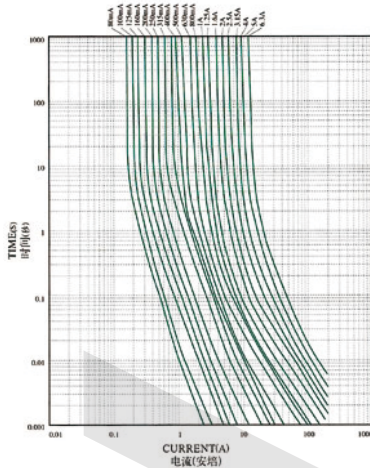
#### ELECTRICAL CHARACTERISTICS

RATING		BLOWING TIME
2.1In	Max	2min
	Min	400ms
2.75In	Max	10sec
	Min	150ms
4In	Max	3sec
	Min	20ms
10In	Max	150ms
	Min	

Part No.	Rated Current	I <sub>v</sub> Voltage Drop	Voltage Rated
1010-0100	100mA	1750	125V/250V
1010-0125	125mA	1500	125V/250V
1010-0150	150mA	1500	125V/250V
1010-0160	160mA	1500	125V/250V
1010-0200	200mA	1500	125V/250V
1010-0250	250mA	1000	125V/250V
1010-0300	300mA	1000	125V/250V
1010-0400	400mA	1000	125V/250V
1010-0500	500mA	1000	125V/250V
1010-0600	600mA	900	125V/250V
1010-0700	700mA	500	125V/250V
1010-0750	750mA	500	125V/250V
1010-0800	800mA	275	125V/250V
1010-1000	1A	275	125V/250V
1010-1200	1.2A	275	125V/250V
1010-1250	1.25A	275	125V/250V
1010-1500	1.5A	275	125V/250V
1010-1600	1.6A	275	125V/250V
1010-1800	1.8A	275	125V/250V
1010-2000	2A	250	125V/250V
1010-2500	2.5A	250	125V/250V
1010-3000	3A	250	125V/250V
1010-3150	3.15A	250	125V/250V
1010-3500	3.5A	250	125V/250V
1010-4000	4A	225	125V/250V
1010-5000	5A	225	125V/250V
1010-6000	6A	225	125V/250V
1010-6300	6.3A	200	125V/250V
1010-7000	7A	200	125V/250V
1010-8000	8A	200	125V/250V
1010-10000	10A	200	125V/250V
1010-12000	12A	180	125V/250V
1010-15000	15A	180	125V/250V

Part No.	Rated Current	I <sub>v</sub> Voltage Drop	Voltage Rated
1009-0100	100mA	1750	125V/250V
1009-0125	125mA	1500	125V/250V
1009-0150	150mA	1500	125V/250V
1009-0160	160mA	1500	125V/250V
1009-0200	200mA	1500	125V/250V
1009-0250	250mA	1000	125V/250V
1009-0300	300mA	1000	125V/250V
1009-0400	400mA	1000	125V/250V
1009-0500	500mA	1000	125V/250V
1009-0600	600mA	900	125V/250V
1009-0700	700mA	500	125V/250V
1009-0750	750mA	500	125V/250V
1009-0800	800mA	275	125V/250V
1009-1000	1A	275	125V/250V
1009-1200	1.2A	275	125V/250V
1009-1250	1.25A	275	125V/250V
1009-1500	1.5A	275	125V/250V
1009-1600	1.6A	275	125V/250V
1009-1800	1.8A	275	125V/250V
1009-2000	2A	250	125V/250V
1009-2500	2.5A	250	125V/250V
1009-3000	3A	250	125V/250V
1009-3150	3.15A	250	125V/250V
1009-3500	3.5A	250	125V/250V
1009-4000	4A	225	125V/250V
1009-5000	5A	225	125V/250V
1009-6000	6A	225	125V/250V
1009-6300	6.3A	200	125V/250V
1009-7000	7A	200	125V/250V
1009-8000	8A	200	125V/250V
1009-10000	10A	200	125V/250V
1009-12000	12A	180	125V/250V
1009-15000	15A	180	125V/250V

I-T CHARACTERISTICS CURVE  
电流-时间曲线图



## ORDER INFORMATION

Product NO.: KLS5-1009-XXXX

Rated Current  
Lead Type: 1009=Φ3.6x10 1010=Φ4x11  
Part Number