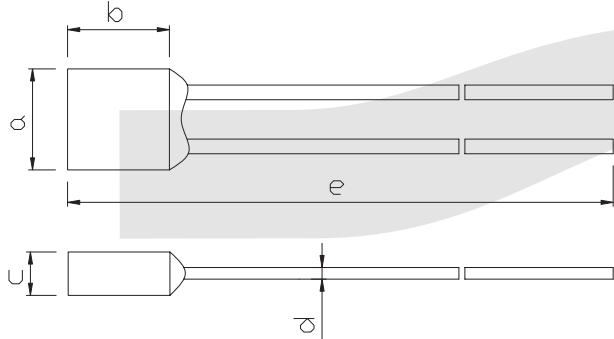




Thermal Fuse Series

KLS5-104 Side shell Thermal Fuse 1A Series



Dimension(mm)		1A Series		
a	b	c	d	e
5.2±0.5	4.0±0.5	2.2±0.2	∅0.5±0.02	60

Rated functioning temperature(Tf): The temperature at which a Thermal Cutoff changes its state of conductivity to open circuit detection current. The tolerance according to IEC60691 is from -10°C~+0°C .(With Japan Electrical Appliance and Material Law, on the other hand, they must function in the tolerance range of ±7°C).

Fusing(cut)-off temperature: The fusing-off temperature indicates value measured in silicon oil with a temperature increased by 0.5-1°C per minute and a detective current 100mA or less.

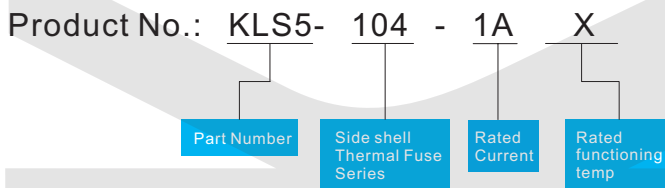
Holding temperature(Th): The maximum temperature at which a thermal Cutoff will not cause a change in state of conductivity to open circuit while conducting rated current for 168 hours. This rating is required by safety standards based on IEC60691.

Maximum temperature limit(Tm): The maximum temperature at which a Thermal Cutoff can be maintained for 10 minutes without reclosing. This rating is required by safety standards based on IEC60691.

Rated current(Ir): The allowable maximum current which a Thermal Cutoff is able to carry.

Rated voltage(Ur): The allowable maximum voltage which a Thermal Cutoff is able to be applied.

ORDER INFORMATION



FUSE AND FUSE HOLDER

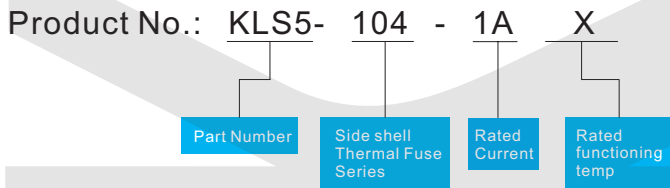


Fuse holder Series

KLS5-104 Side shell Thermal Fuse 1A Series

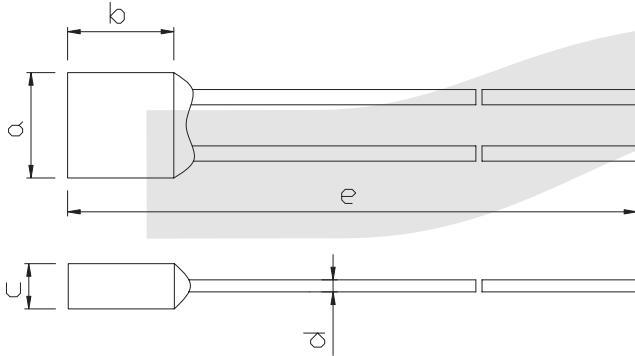
104-1A Series												
Model No	Rated functioning temp.	Fusing-off temperature	Holding temperature (Th)	Maximum temp. limit	Rated current (Ir)	Rated voltage (Ur)	Safety approval					RoHS Compliance
	(Tf)			(Tm)			UL	CUL	VDE	PSE	CCC	
104-1A-1	102°C	98±2°C	76°C	180°C	1A	250Vac	●	●	●	●	●	●
104-1A-2	115°C	112±3°C	85°C	180°C	1A	250Vac	●	●	●	●	●	●
104-1A-3	125°C	120±3°C	97°C	180°C	1A	250Vac	●	●	●	●	●	●
104-1A-4	130°C	126±2°C	102°C	180°C	1A	250Vac	●	●	●	●	●	●
104-1A-5	135°C	131±3°C	105°C	180°C	1A	250Vac	●	●	●	●	●	●
104-1A-6	138°C	135±2°C	108°C	180°C	1A	250Vac	●	●	●	●	●	●
104-1A-7	150°C	145±3°C	120°C	180°C	1A	250Vac	●	●	●	●	●	●

ORDER INFORMATION



Thermal Fuse Series

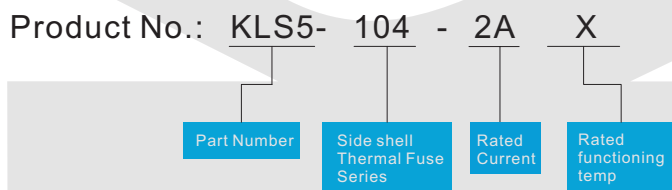
KLS5-104 Side shell Thermal Fuse 2A Series



Dimension(mm)		2A Series		
a	b	c	d	e
5.5±0.5	6.0±0.5	2.4±0.3	∅0.5±0.02	60

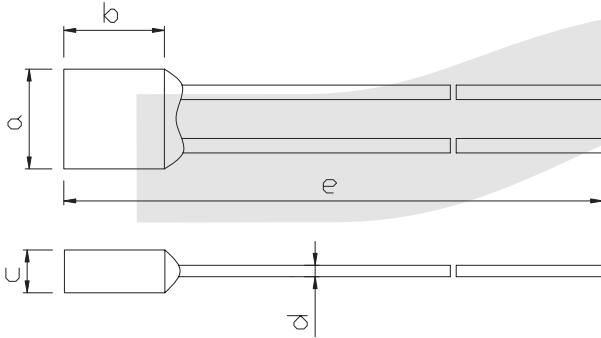
2A Series													
Model No.	Rated functioning temp. (Tf)	Fusing-off temperature	Holding temperature (Th)	Maximum temp. Limit (Tm)	Rated current (Ir)	Rated voltage (Ur)	Safety approval						RoHS Compliance
							UL	CUL	VDE	TUV	PSE	CCC	
104-2A-1	102°C	98±2°C	79°C	203°C	2A	250V	●	●	●	●	●	●	●
104-2A-2	115°C	112±3°C	92°C	203°C	2A	250V	●	●	●	●	●	●	●
104-2A-3	125°C	120±3°C	101°C	203°C	2A	250V	●	●	●	●	●	●	●
104-2A-4	130°C	126±2°C	107°C	203°C	2A	250V	●	●	●	●	●	●	●
104-2A-5	135°C	131±3°C	112°C	203°C	2A	250V	●	●	●	●	●	●	●
104-2A-6	138°C	135±2°C	115°C	203°C	2A	250V	●	●	●	●	●	●	●
104-2A-7	150°C	145±3°C	126°C	203°C	2A	250V	●	●	●	●	●	●	●

ORDER INFORMATION



Thermal Fuse Series

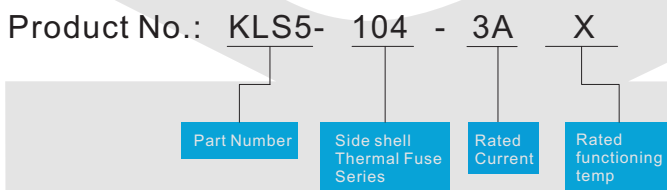
KLS5-104 Side shell Thermal Fuse 3A Series



Dimension(mm)		3A Series		
a	b	c	d	e
6.6±0.5	8.0±0.5	2.5±0.3	∅0.6±0.02	60

104-3A Series												
Model No.	Rated functioning temp. (Tf)	Fusing-off temperature	Holding temperature (Th)	Maximum temp. Limit (Tm)	Rated current (Ir)	Rated voltage (Ur)	Safety approval					RoHS Compliance
							UL	CUL	VDE	PSE	CCC	
104-3A-1	84°C	82±2°C	40°C	180°C	3A	250Vac	●	●	●	●	●	●
104-3A-2	102°C	98±2°C	63°C	180°C	3A	250Vac	●	●	●	●	●	●
104-3A-3	115°C	112±3°C	75°C	180°C	3A	250Vac	●	●	●	●	●	●
104-3A-4	125°C	120±3°C	85°C	180°C	3A	250Vac	●	●	●	●	●	●
104-3A-5	130°C	126±2°C	90°C	180°C	3A	250Vac	●	●	●	●	●	●
104-3A-6	135°C	131±3°C	90°C	180°C	3A	250Vac	●	●	●	●	●	●
104-3A-7	138°C	135±2°C	93°C	180°C	3A	250Vac	●	●	●	●	●	●
104-3A-8	150°C	145±3°C	105°C	180°C	3A	250Vac	●	●	●	●	●	●

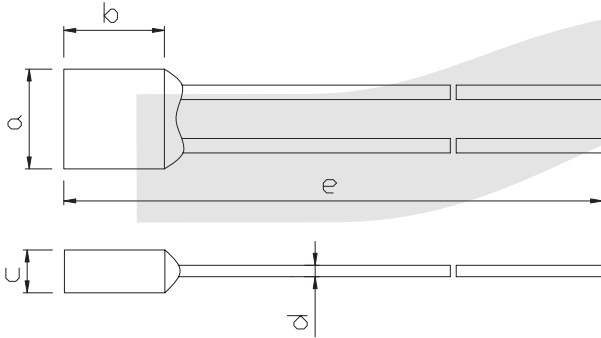
ORDER INFORMATION





Thermal Fuse Series

KLS5-104 Side shell Thermal Fuse 5A Series



Dimension(mm)		5A Series		
a	b	c	d	e
6.6±0.5	8.0±0.5	2.5±0.3	∅0.6±0.02	60

104-5A Series												
Model No	Rated functioning temp (Tf)	Fusing-off temperature	Holding Temperature (Th)	Maximum temp. limit (Tm)	Rated current (I _r)	Rated voltage (U _r)	Safety approval					RoHS Compliance
							UL	CUL	VDE	PSE	CCC	
104-5A-1	84°C	82±2°C	40°C	180°C	5A	250Vac	●	●	●	●	●	●
104-5A-2	102°C	98±2°C	63°C	180°C	5A	250Vac	●	●	●	●	●	●
104-5A-3	115°C	112±3°C	75°C	180°C	5A	250Vac	●	●	●	●	●	●
104-5A-4	125°C	120±3°C	85°C	180°C	5A	250Vac	●	●	●	●	●	●
104-5A-5	130°C	126±2°C	90°C	180°C	5A	250Vac	●	●	●	●	●	●
104-5A-6	135°C	131±3°C	90°C	180°C	5A	250Vac	●	●	●	●	●	●
104-5A-7	138°C	135±2°C	93°C	180°C	5A	250Vac	●	●	●	●	●	●
104-5A-8	150°C	145±3°C	105°C	180°C	5A	250Vac	●	●	●	●	●	●

ORDER INFORMATION

