

Switch

Toggle Switch Series

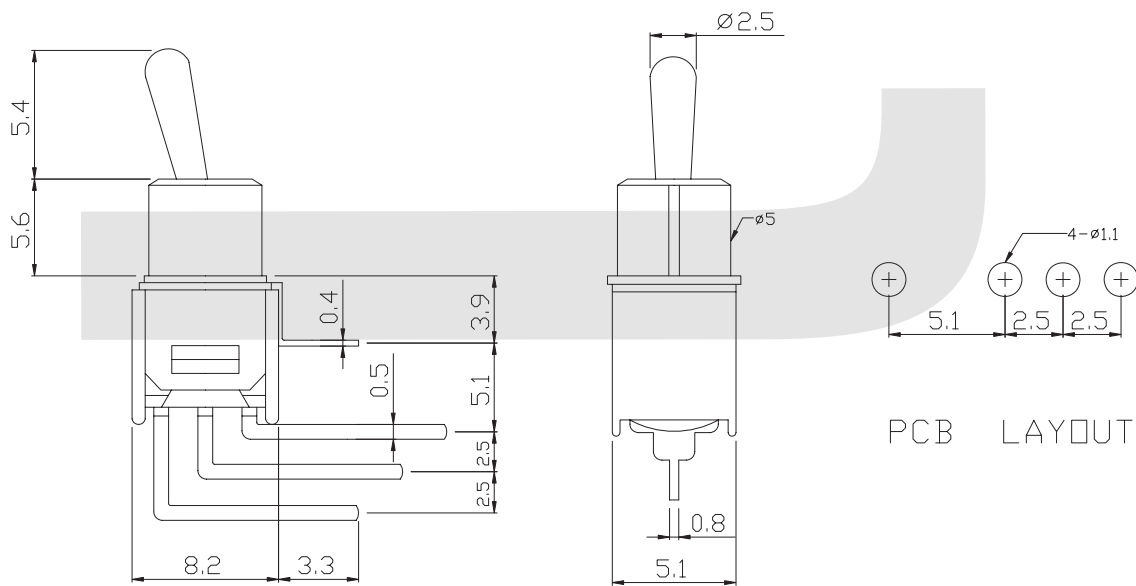
KLS7-SMS-102-C4 Toggle Switch Series

SPECIFICATIONS

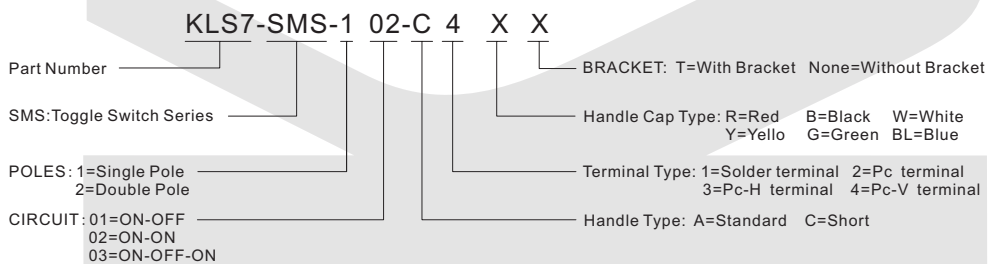
- Rating: 3A 125VAC; 1A 250VAC
- Contact Resistance: 20MΩ max
- Insulation Resistance: 500V DC 1000MΩ Min
- Dielectric Strength: 1000V AC 1 Minute
- Operating Temperature: -25°C~+65°C
- Electrical Life :20,000 cycles



VII



ORDER INFORMATION



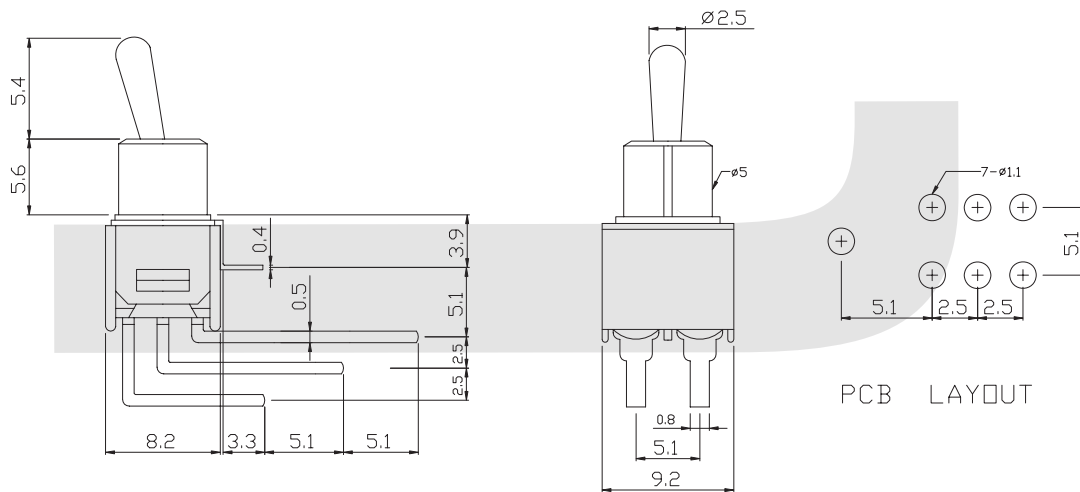
Switch

Toggle Switch Series

KLS7-SMS-202-C4 Toggle Switch Series

SPECIFICATIONS

Rating: 3A 125VAC; 1A 250VAC
 Contact Resistance: 20MΩ max
 Insulation Resistance: 500V DC 1000MΩ Min
 Dielectric Strength: 1000V AC 1 Minute
 Operating Temperature: -25°C~+65°C
 Electrical Life :20,000 cycles



ORDER INFORMATION

