

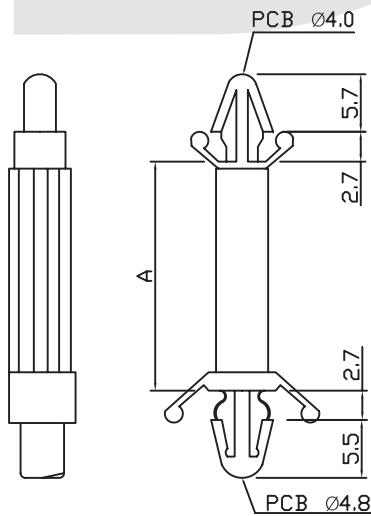
PCB Support Series

KLS8-0201 PCB Support Series

Material: UL Approved Nylon66, 94V-2
 Installed easily and quickly by hand.
 Barbed arrow mounts on both ends locking securely.
 This support can be shaped to lock in the board for PCB / PCB
 or PCB / CHASSIA spacer



Unit:mm



Item No.	A	Packing
CS-0305	4.8 (3/16")	100PCS (1000PCS)
CS-0406	6.4 (1/4")	
CS-0610	9.6 (3/8")	
CS-0813	12.7 (1/2")	
CS-1016	15.9 (5/8")	
CS-1219	19.1 (3/4")	
CS-1422	22.2 (7/8")	
CS-1625	25.4 (1")	
CS-1828	28.5 (1 1/8")	
CS-2236	35.0 (1 3/8")	

ORDER INFORMATION

KLS8-0201-CS-0305

