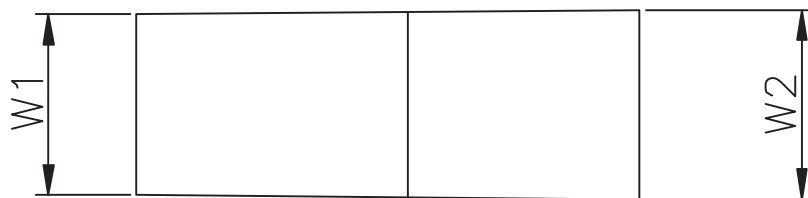
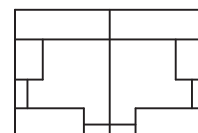
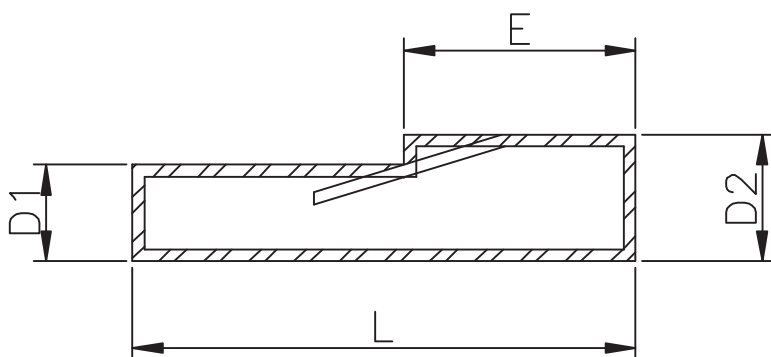
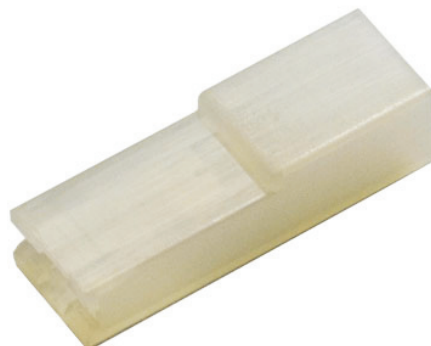


Wire Terminals

L-KLS8-HSS-187 Wire Terminals

Main Specifications
Material:nylon
Insulation Resistance:>1000M
Environmental Temperature:75°
Rated voltage:250V
Rated Current:10A
Resist-Electric Strength:1000V.AC



ORDER INFORMATION

KLS8-HSS-187

Part Number