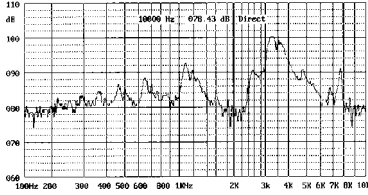


# Piezo Transducer

## KPT-2310 series Piezo Transducer

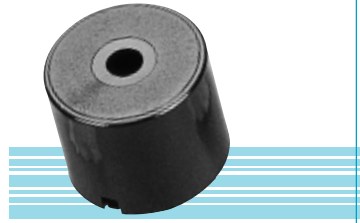
**FREQUENCY RESPONSE**  
[actual curve of type]



applied voltage: 12 vp-p, 1/2 duty, square wave distance for measurement: 10cm

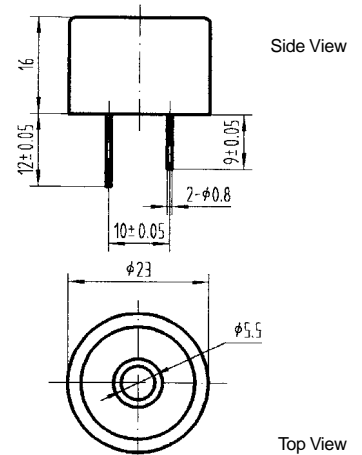
Model No	KPT-2310
Rated Voltage	12Vp-p Square Wave
Max. Allowable Voltage	30Vp-p Square Wave
Max. Rated Current	4mA at 3.5KHz/12Vp-p Square Wave
Min Sound Pressure Level	85dB at 3.5KHz/12Vp-p Square Wave/10cm
Resonant Frequency	3.5j±0.5KHz
Operating Temperature	-20~+60j±
Weight	3.5g

\* Value applying at rated voltage



color Black  
ABS Housing Material  
Pin Terminal

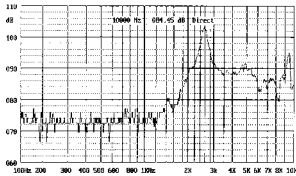
### DIMENSIONS



all dimensions are in mm

## KPT-2311 series Piezo Transducer

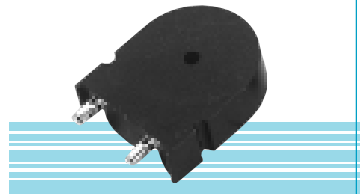
**FREQUENCY RESPONSE**  
[actual curve of type]



applied voltage: 3Vrms Sine Wave 1/2 duty, square wave distance for measurement: 10cm

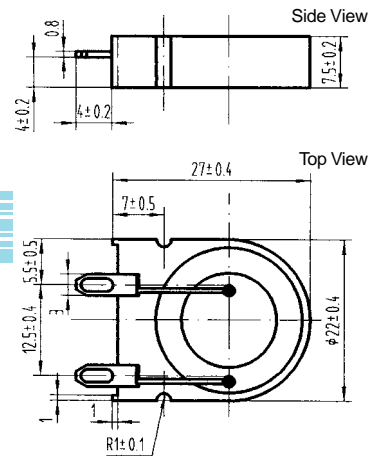
Model No	KPT-2311
Rated Voltage	3Vrms Sine Wave
Max. Allowable Voltage	30Vp-p Square Wave
Max. Rated Current	2mA at 2.0KHz/3Vrms Sine Wave
Min. Sound Pressure Level	75dB at 2.0KHz/3V rms Sine Wave/10cm
Resonant Frequency	2.0j±0.5 KHz
Operating Temperature	-20~+80j±
Weight	3g

\* Value applying at rated voltage



color Black  
PC Housing Material  
Pin Terminal

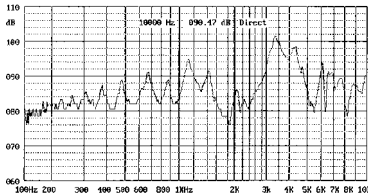
### DIMENSIONS



all dimensions are in mm

## KPT-2210 series Piezo Transducer

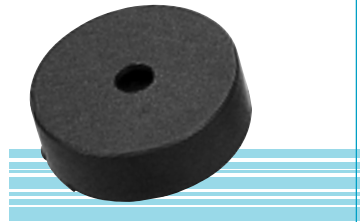
**FREQUENCY RESPONSE**  
[actual curve of type]



applied voltage: 12 vp-p, 1/2 duty, square wave distance for measurement: 10cm

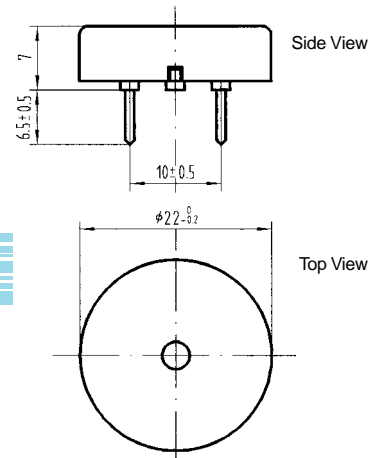
Model No	KPT-2210
Rated Voltage	12Vp-p Square Wave
Max. Allowable Voltage	30Vp-p Square Wave
Max. Rated Current	3mA at 4.0 KHz/12Vp-p Square Wave
Min. Sound Pressure Level	88dB at 4.0KHz/12Vp-p Square Wave/10cm
Resonant Frequency	4.0j±0.5 KHz
Operating Temperature	-20~+80j±
Weight	2.5g

\* Value applying at rated voltage



color Black  
PA Housing Material  
Pin Terminal

### DIMENSIONS



all dimensions are in mm

The information contained herein is believed to be correct, but no guarantee for accuracy, completeness, DSW Electronics Ltd. reserves the right to make changes without notification.