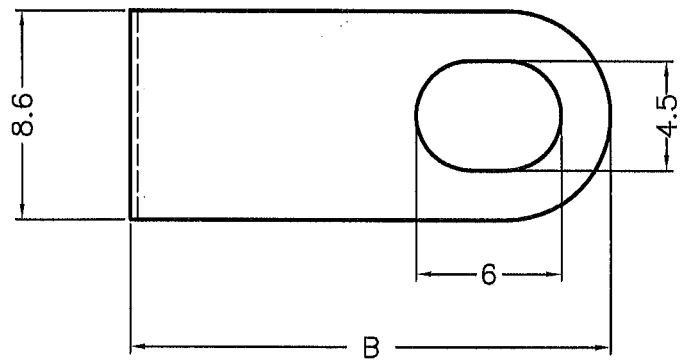
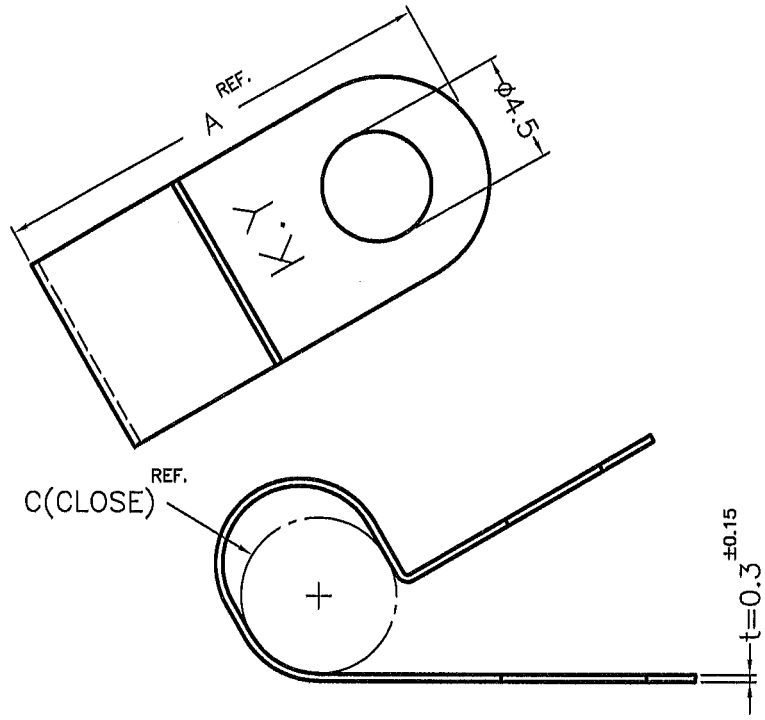


REVISIONS			
REV	DESCRIPTION	DATE	BY

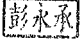


符合歐盟ROHS規範 (RoHS Compliant)	
★鉛Pb	<1000PPM
★鎘Cd	< 100PPM
★汞Hg	<1000PPM
★六價鉻Cr6+	<1000PPM
★多溴聯苯類PBBs	<1000PPM
★多溴聯苯醚類PBDEs	<1000PPM

PART NO.	A	B	C
KTCC-4	17.2 ^{REF.}	17.6	Ø4.5 ^{REF.}




康揚企業股份有限公司
 KANG YANG HARDWARE ENTERPRISE CO., LTD.
康揚塑膠(東莞)有限公司
 KANG YANG PLASTIC(DONG GUAN) CO.,LTD.
康哲電腦配件(吳江)有限公司
 KANG CHE COMPUTER COMPONENTS(WUJIANG) CO.,LTD.

TITLE	CLAMP	SPEC. DWG.
MATERIAL	SUS	DATE 2005.05.13
FINISH		DRAWN JASON
COLOR		CHECK 
PART NUMBER	SEE ABOVE	DRAWING NUMBER KTCC-H
SIZE	A4	SCALE NONE
UNIT	mm	REV C
UNLESS OTHERWISE SPECIFIED TOLERANCE ±0.3		APPROVED 