

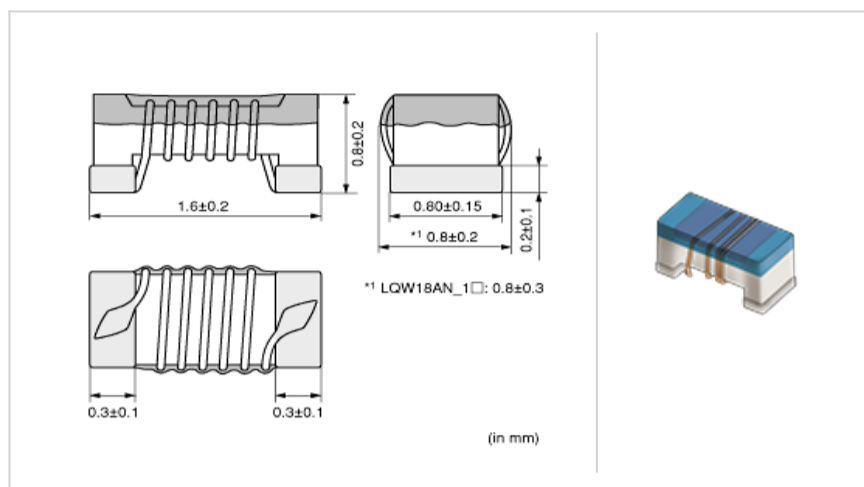
# LQW18AN27NJ10#

"#" indicates a package specification code.

Available **General** **125** **Wound (No Shield)** **Low Rdc** **Thickness 1.0mm max.** **High Q** **Reflow OK** **RoHS**

< List of part numbers with package codes >  
LQW18AN27NJ10D , LQW18AN27NJ10J , LQW18AN27NJ10B

## Shape



L size	1.6 ± 0.2mm
W size	0.8 ± 0.3mm
T size	0.8 ± 0.2mm
Size code in inch (mm)	0603 (1608)

## Specifications

Inductance	27nH ± 5%
Inductance test frequency	100MHz
Rated current (Itemp) (Based on Temperature rise)	590mA
Max. of DC resistance	0.116
Q (min.)	42
Q test frequency	250MHz
Self resonance frequency (min.)	2800MHz
Operating temperature range (Self-temperature rise is not included)	-55 ~ 125

## References

Packaging code	Specifications	Minimum quantity
D	180mm Paper taping	4000
J	330mm Paper taping	10000
B	Packing in bulk	500

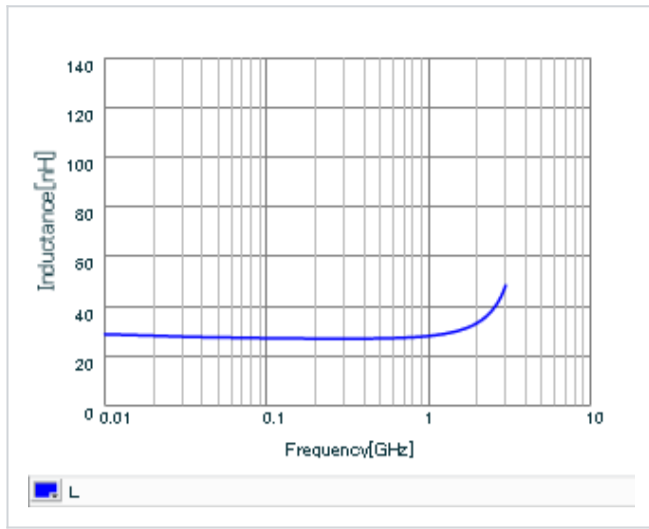
Mass (Typ.)	
1 piece	0.003g

### ⚠ Attention

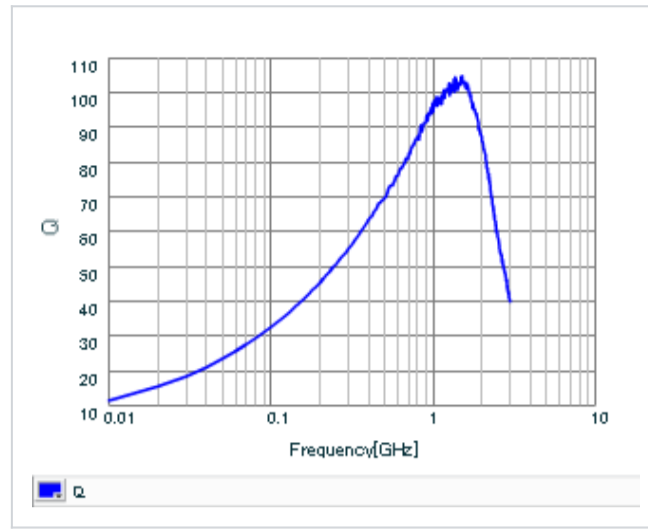
- This datasheet is downloaded from the website of Murata Manufacturing Co., Ltd. Therefore, it's specifications are subject to change or our products in it may be discontinued without advance notice. Please check with our sales representatives or product engineers before ordering.
- This datasheet has only typical specifications because there is no space for detailed specifications. Therefore, please review our product specifications or consult the approval sheet for product specifications before ordering.

Chart of characteristic data (The charts below may show another part number which shares its characteristics.)

▪ Inductance-Frequency characteristics (Typ.)



▪ Q-Frequency characteristics (Typ.)



2 of 2

This PDF data has only typical specifications because there is no space for detailed specifications.

Therefore, please review our product specifications or consult the approval sheet for product specifications before ordering.

**muRata** Murata Manufacturing Co., Ltd.

Last updated: 2015/01/15