

LXT313 / LXT316

Low Power E1 PCM Repeaters / Transceivers

General Description

The LXT313 and LXT316 are integrated repeater/transceiver circuits for E1 carrier systems. The LXT313 is a dual repeater/transceiver and the LXT316 is a single repeater/transceiver. The LXT313 and LXT316 are designed to operate as regenerative repeaters/transceivers for 2.048 Mbps data rate PCM lines. Each includes all circuits required for a regenerative repeater/transceiver system including the equalization network, automatic line build-out (ALBO), and a state-of-the-art analog/digital clock extraction network tuned by an external crystal.

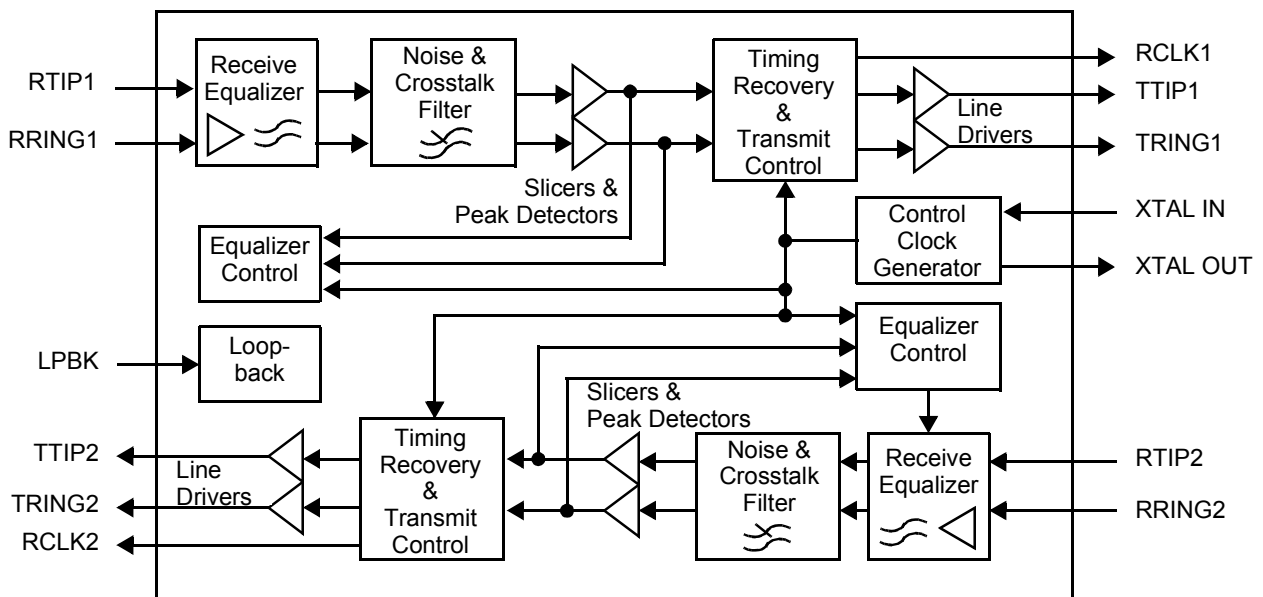
The key feature of the LXT313 family is that it requires only a crystal and a minimum of other components to complete a repeater/transceiver design. Compared with traditional tuned coil-type repeaters/transceivers, they offer significant savings in component and labor costs, along with reduced voltage drop/power consumption, and improved reliability. To ensure performance for all loop lengths, the LXT313 and LXT316 are 100% AC/DC tested using inputs generated by Level One's proprietary transmission line and network simulator.

The LXT313 and LXT316 are advanced CMOS devices which require only a single 5-volt power supply.

Features

- Integrated repeater/transceiver circuit on a single CMOS chip
- On-chip equalization network
- On-chip ALBO
- Low power consumption
- No tuning coil
- On-chip Loopback
- Recovered Clock Output
- 0 to 43 dB dynamic range
- -14 dB interference margin
- Single 5 V only CMOS technology
- Available in 16-pin PDIP and 44-pin PLCC

LXT313 / LXT316 Block Diagram



PIN ASSIGNMENTS AND SIGNAL DESCRIPTIONS

Figure 1: LXT313 / LXT316 Pin Assignments

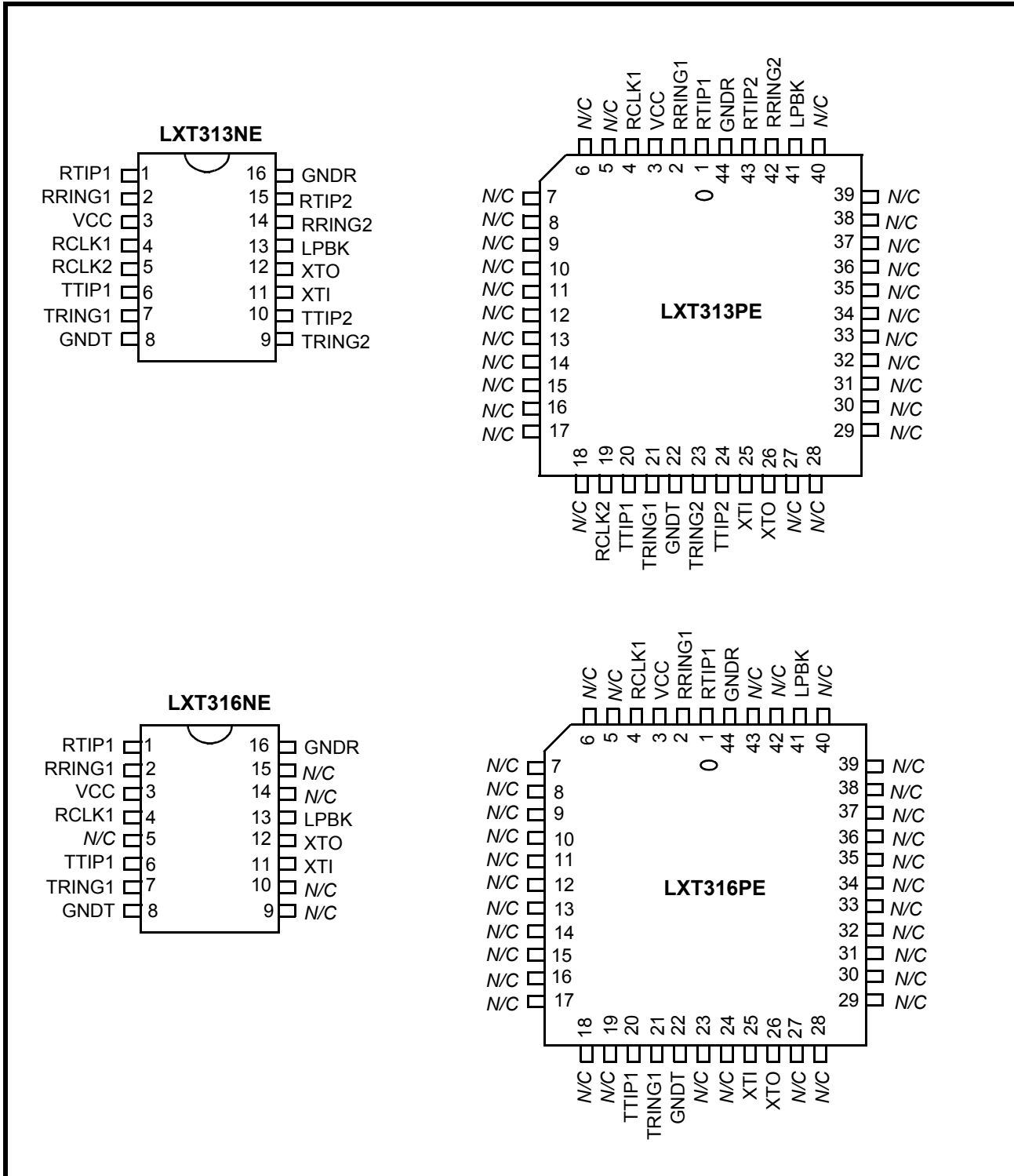


Table 1: LXT313 / LXT316 Signal Descriptions

Pin #		Symbol	I/O	Description
DIP	PLCC			
1	1	RTIP1	I	Repeater Tip and Ring Inputs. Tip and ring receive inputs for Channel 1.
2	2	RRING1	I	
4	4	RCLK1	O	Recovered Clock. Clock output recovered from Channel 1 receive input.
6	20	TTIP1	O	Repeater Tip and Ring Outputs. Open-drain output drivers for Channel 1.
7	21	TRING1	O	
11	25	XTI	I	Crystal Oscillator Pins. An 8.192 MHz crystal should be connected across these two pins. For alternative timing references, refer to Application Information.
12	26	XTO	O	
3	3	VCC	–	Power Supply. Power source for all circuits. +5 V (±0.25 V).
8	22	GNDT	–	Transmit Ground. Ground return for transmit circuits.
16	44	GNDR	–	Receive Ground. Ground return for receive circuits.
9 ¹	23 ¹	TRING2	O	Side 2 Ring and Tip Outputs. On the LXT313 dual repeater/transceiver, these are open-drain output drivers for Channel 2.
10 ¹	24 ¹	TTIP2	O	
14 ¹	42 ¹	RRING2	I	Side 2 Ring and Tip Inputs. On the LXT313 repeater/transceiver, these are tip and ring receive inputs for Channel 2.
15 ¹	43 ¹	RTIP2	I	
5 ¹	19 ¹	RCLK2	O	Recovered Clock. On the LXT313 dual repeater/transceiver, this is the recovered clock output for Channel 2.
13	41	LPBK	I	Loopback Control. On the LXT313, this pin controls Loopback Selection: High = Loopback side 1 data to side 2; Low = No Loopback. On the LXT316 single repeater/transceiver, this pin must be connected to GND.

1. On the LXT316NE and LXT316PE single repeater/transceiver, these pins are not connected (N/C).
 2. On the LXT313PE and LXT316PE, pins 5 through 18 and 27 through 40 are not connected (N/C).

FUNCTIONAL DESCRIPTION

Introduction

CM signals are attenuated and dispersed in time as they travel down a transmission line. Repeaters/transceivers are required to amplify, reshape, regenerate and retiming the PCM signal, then retransmit it.

The LXT313 and LXT316 each contain all the circuits required to build a complete PCM repeater/transceiver. The operational range of the repeaters/transceivers is 0 to 43 dB of cable loss at 1.024 MHz (equal to 2 km of 22 gauge pulp-insulated cable between repeaters).

Receive Function

The signal is received through a 1 : 1 transformer at RTIP and RRING and equalized for up to 43 dB of cable loss. The receive equalizer uses a proprietary on-chip adaptive filter technique which is equivalent to a 3-port ALBO equalizer design. The monolithic structure of the filter and the absence of external components provide excellent ISI and dispersion elimination, and accurate data transfer over temperature.

Receiver noise immunity is optimized by a proprietary crosstalk elimination filter which eliminates the unneeded high frequency components of the received signal.

Timing Recovery Function

The equalized signal is full wave rectified and used to generate information for the timing recovery circuit. This circuit uses a mixed analog/digital technique to provide a low-jitter PLL similar to a tuned tank with excellent jitter tracking ability. But unlike a tuned tank, the free running frequency of the PLL clock is accurately controlled by the external reference crystal. No adjustment is required. Refer to Application Information for crystal specifications.

Recovered clock signals are available on the RCLK pins for applications that require bit stream synchronization.

Transmit Function

Recovered data is re-synchronized to the recovered clock signal by the timing recovery and transmit control section. The data is then retransmitted to the network via two open-drain, high-voltage transistors.

Loopback Function (LXT313 Only)

The LXT313 includes a loopback function for network diagnostics. With the LPBK pin Low, the repeater/transceiver operates in the normal mode. When the LPBK pin is pulled High, the data is looped back from side 1 to side 2.

APPLICATION INFORMATION

Typical Application

Figure 2 shows a typical E1 dual repeater/transceiver application circuit using standard repeater/transceiver card edge connections. It includes a jumper-selectable shorting option for the fault location circuitry (dashed lines at connector pins 2 and 7). Table 2 lists the specifications for the crystal used with the LXT313 or LXT316 repeater.

Alternate Timing Reference

For applications where a crystal is not appropriate, a 2.048 MHz or 8.192 MHz, CMOS-level (High \geq 4.5V, Low \leq 0.5V) oscillator may be connected to XTI. In this situation, XTO must be tied to Vcc and GND via a voltage divider as shown in Figure 3

Table 2: Crystal Specifications

Parameter	Specification
Frequency	8.192 MHz
Frequency tolerance ¹	\pm 50 ppm
Effective series resistance	30 Ω Maximum
Crystal cut	AT
Resonance	Parallel
Maximum drive level	2.0 mW
Mode of operation	Fundamental
1. @ 25 °C, C Load = 10 pF; and from -40 °C to +85 °C (Ref 25 °C reading)	

Figure 2: Typical E1 Dual Repeater/Transceiver Application

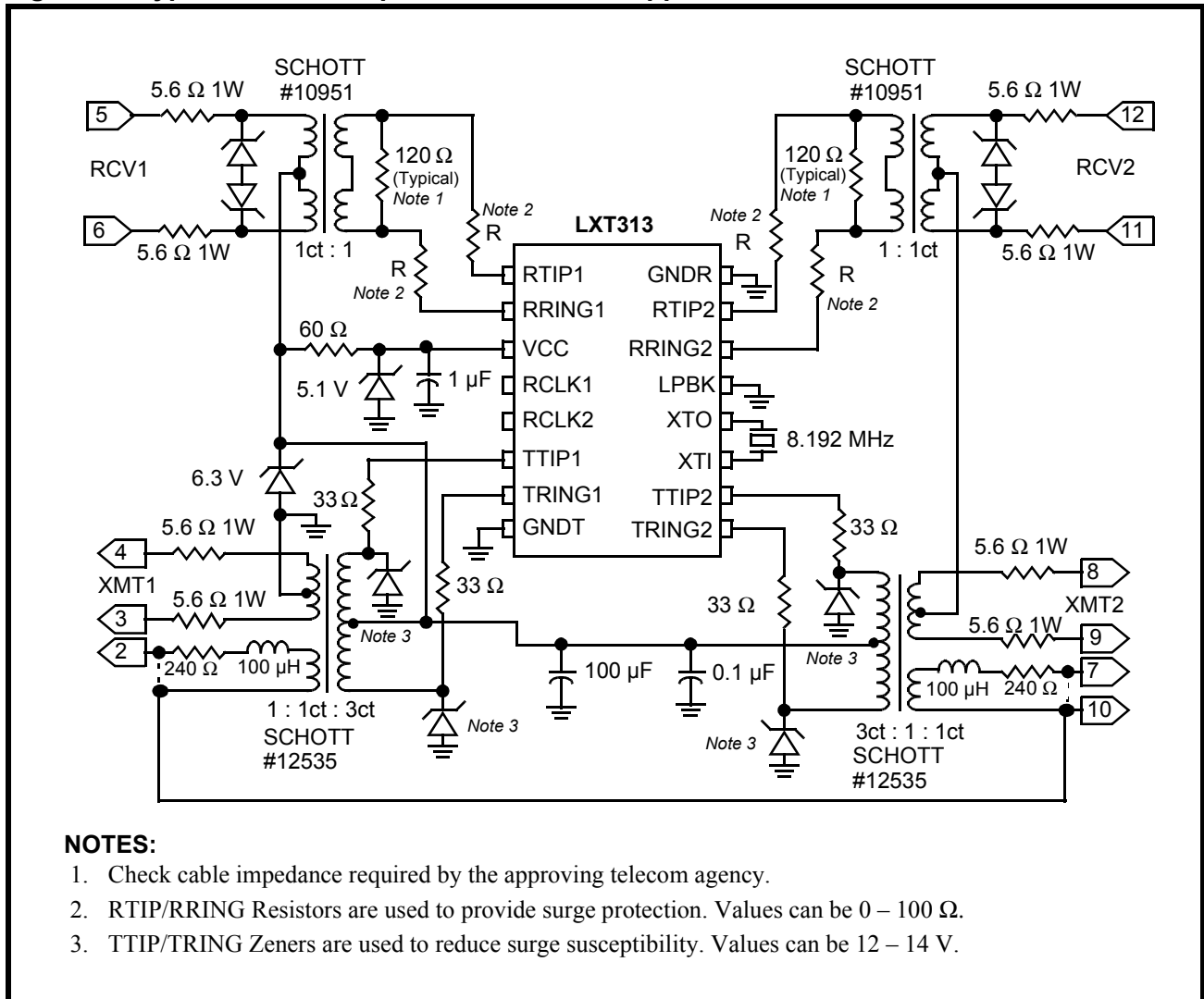
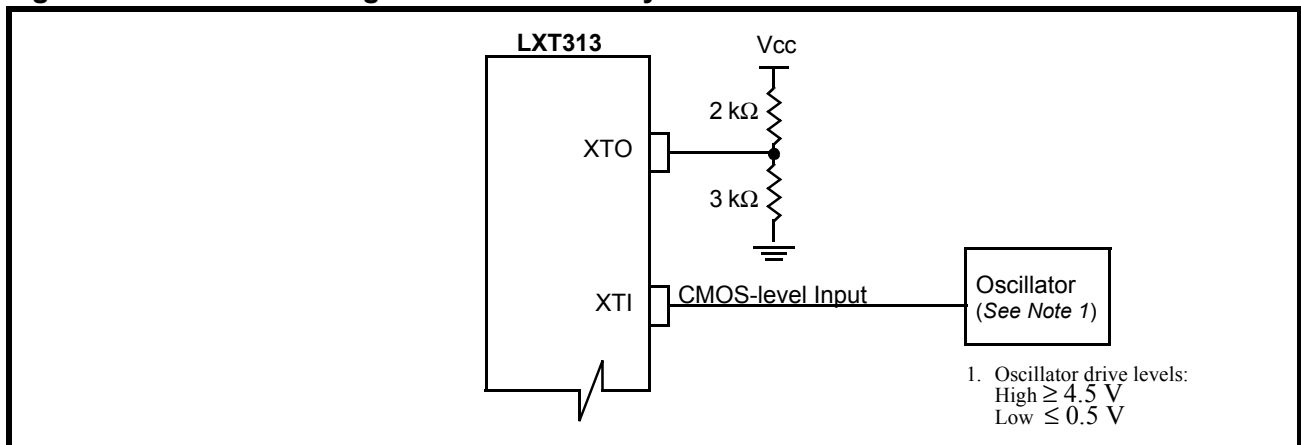


Figure 3: Alternate Timing Reference Circuitry



TEST SPECIFICATIONS

NOTE

Minimum and maximum values in Tables 3 through 6 and Figures 4 through 9 represent the performance specifications of the LXT313/316 repeaters/transceivers and are guaranteed by test except, as noted, by design.

Table 3: Absolute Maximum Ratings

Parameter	Symbol	Units
Supply voltage (min to max)	VCC	-0.3 V to +6 V
Driver Voltage	VOH	18 V
Receiver Current	ICC	100 mA
Operating temperature (min to max)	TOP	-40 °C to +85 °C
Storage temperature (min to max)	TST	-65 °C to +150 °C
CAUTION		
Exceeding these values may cause permanent damage. Functional operation under these conditions is not implied. Exposure to maximum rating conditions for extended periods may affect device reliability.		

Table 4: Recommended Operating Conditions (Voltages are with respect to ground.)

Parameter	Symbol	Min	Typ	Max	Units
Supply voltage	VCC	4.75	5.0	5.25	V
Operating temperature	TOP	-40	—	85	°C

Table 5: Electrical Characteristics (Over Recommended Range)

Parameter	Symbol	Min	Typ ¹	Max	Units	
Interference Margin	SNR	-14	—	—	dB	
Receiver Dynamic Range	—	-43	—	0	dB	
Digital Outputs - Low	(IOL = 1.6 mA)	VOL	—	0.4	V	
	(IOL = 10 µA)	VOL	—	0.2	V	
Digital Outputs - High	(IOH = 0.4 mA)	VOH	2.4	—	V	
	(IOH < 10 µA)	VOH	—	4.5	V	
Digital Inputs - High	VIH	2.0	—	—	V	
Digital Inputs - Low	VIL	—	—	0.8	V	
Supply Current (from VCC supply) ²	All zeros	ICC	—	15	23	mA
	All ones	ICC	—	—	25	mA
Driver Leakage Current (VDVR = 18 V)	ILL	—	—	100	µA	
Driver Pulse Amplitude (Driver output IO = 20 mA)	AP	0.65	—	0.95	V	
1. Typical values are at 25° C and are for design aid only; they are not guaranteed and not subject to production testing. 2. Measured with CLOAD ≤ 10 pF, RLOAD > 100 kΩ.						

Figure 4: Digital Timing Characteristics

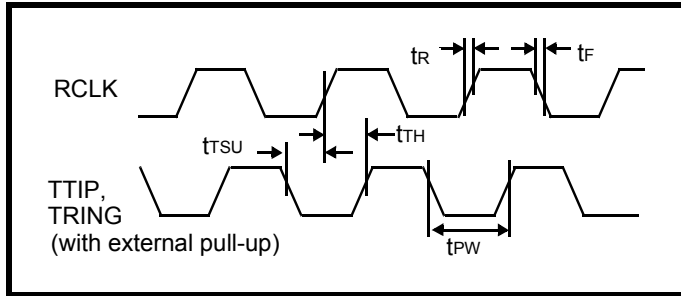


Table 6: Digital Timing Characteristics (Over Recommended Range) see Figure 4

Parameter	Symbol	Min	Typ ¹	Max	Units
Driver Pulse Width	t_{PW}	219	244	269	ns
Driver Pulse Imbalance	–	–	–	15	ns
Rise and Fall Time (any digital output ²)	t_R / t_F	–	–	25	ns
Setup Time - TTIP/TRING to RCLK	t_{SU}	90	–	–	ns
Hold Time - TTIP/TRING from RCLK	t_{TH}	90	–	–	ns

1. Typical values are at 25° C and are for design aid only; they are not guaranteed and not subject to production testing.
 2. Measured with $C_{LOAD} \leq 10$ pF, $R_{LOAD} > 100$ k Ω .

Test Setups

Introduction

Both the LXT313 and LXT316 are fully tested (100% AC and DC parameters) using inputs generated by Level One’s proprietary transmission line and network simulator. Device testing includes receiver jitter tolerance, jitter transfer and interference margin for line losses from 0 dB to 43 dB @ 1.024 MHz. Specifications and bench test setups are shown in Figures 5 through 9.

Receiver Jitter Tolerance Testing

Receiver jitter tolerance meets the template shown in Figure 5, when operated at line losses from 0 to 43 dB. Figure 7 shows the setup used for jitter tolerance testing.

Receiver Jitter Transfer Testing

Receiver jitter transfer meets the template shown in Figure 6, when operated with line losses from 0 to 43 dB and input jitter amplitude of 0.15 UI peak-to-peak. Jitter gain at a given frequency is defined as the difference between intrinsic jitter and additive jitter at the measurement frequency, divided by the amplitude of the input jitter. Figure 8 shows the setup used for jitter transfer testing.

Figure 5: Receiver Jitter Tolerance Template

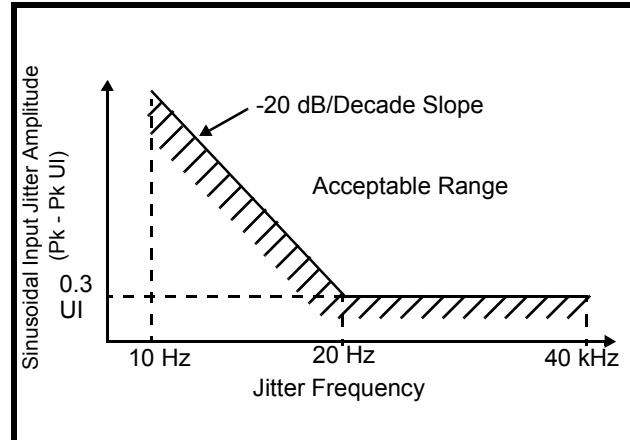


Figure 6: Receiver Jitter Transfer Template

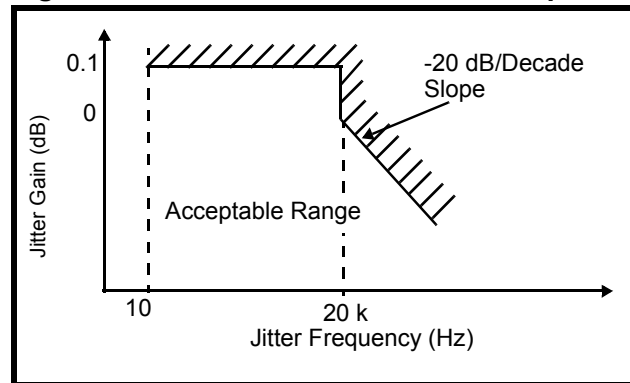


Figure 7: Receiver Jitter Tolerance Test Setup

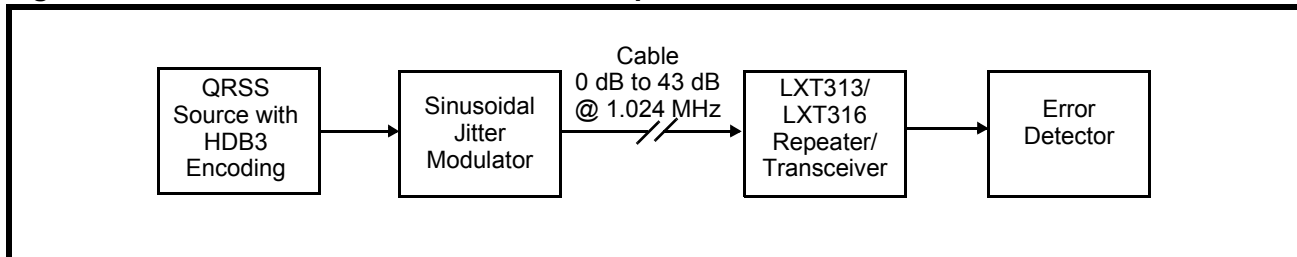
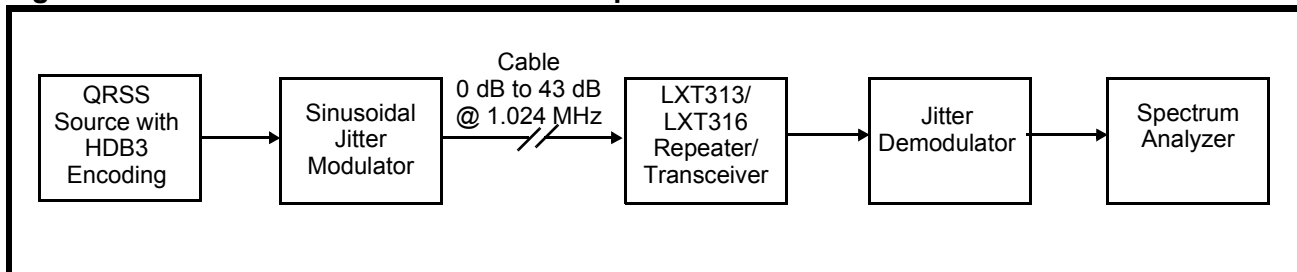


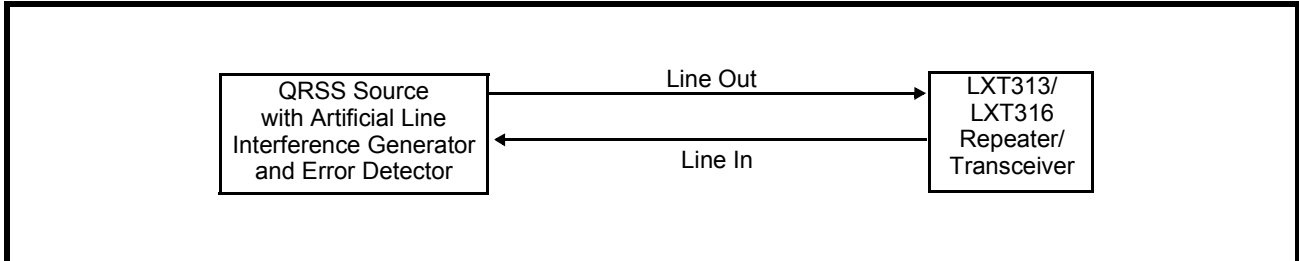
Figure 8: Receiver Jitter Transfer Test Setup



Interference Margin Testing

The LXT313 and LXT316 receiver noise interference margin is specified at a minimum of -14 dB for line losses from 0 dB to 43 dB. The test setup used to measure noise margin is shown in Figure 9.

Figure 9: Receiver Noise Interference Margin Test Setup



NOTES

This datasheet has been downloaded from:

www.DatasheetCatalog.com

Datasheets for electronic components.