

## RGB Controller

### Feature:

1. **2.4GHz RF Remote Control.** Remote distance >20m
2. Blister Packing. It helps to save delivery cost. It's simply for user.
3. OEM / Customized is available.



### Application:

Widely and easily used to control LED light.

### Specifications:

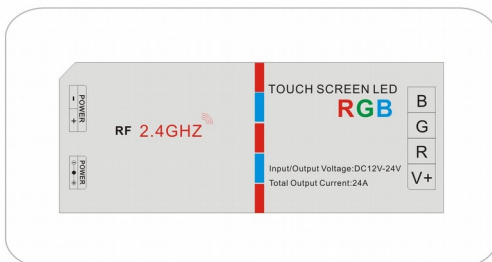
- Voltage: DC12V~24V
- Current: Max 6A /Channel
- Power: 288W / 576W
- Operating Temp.: -20C~60C
- Remote Standby: 0.5mw.

### Remote Interface:



1. ON
2. OFF
3. Color Adjust Ring
4. Lighting Color Indicator
5. Brightness Adjust
6. Changing Speed Adjust
7. Operation Modes Selecting

### Controller Interface:



# Shenzhen Future Star-Lighting Technology Co., Ltd.

## Code matching (Match the Remote to the Controller):



**Defaults Code:** one Remote can control multi controllers

If you want to **match a Remote to one certain Controller**, you need to match the code of this Remote to the Controller.

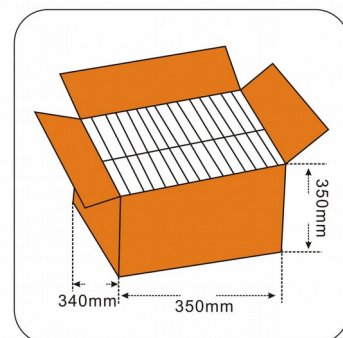
**Here Below shows you how to match the code:**

1. Power on the Controller, and **within 5 seconds**, synchronously press the 2 keys on the Remote. As left image shown.
2. When the code matched successfully, the stripe(lighting) would triply flicker.

## Mechanical Dimension:



## Packing:



| Pack Dimension  | Weight | Carton Dimension | Gross Weight |
|-----------------|--------|------------------|--------------|
| L130*W130*H28mm | 150g   | L420×W290×H300mm | 15kg         |

**Connecting Setup:**

