

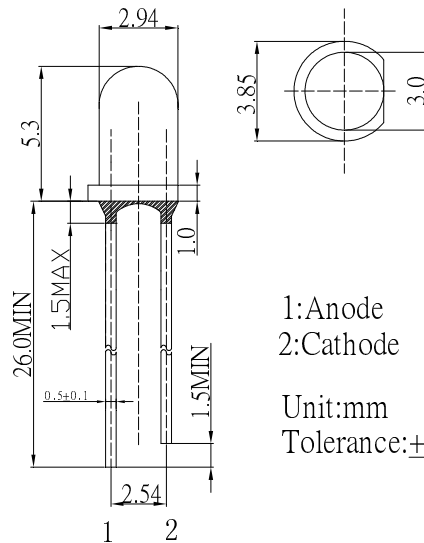
■Features

- Infrared Light Emitting Diode
- 880nm, 45mW
- Viewing angle: 30deg
- Package: 3mm clear epoxy
- UV Resistant Epoxy

■Applications

- IrDA
- Encoder
- Data Communication
- IR camera

■Outline Dimension



1: Anode
2: Cathode

Unit: mm
Tolerance: ± 0.3 mm

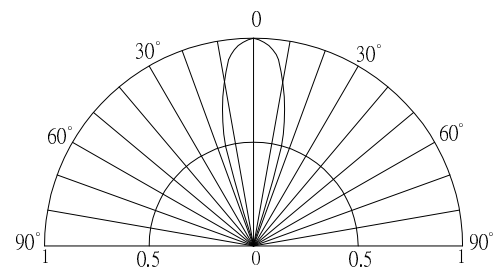
■Absolute Maximum Rating

(Ta=25°C)

Item	Symbol	Value	Unit
DC Forward Current	I _F	100	mA
Pulse Forward Current*	I _{FP}	200	mA
Reverse Voltage	V _R	5	V
Power Dissipation	P _D	200	mW
Operating Temperature	T _{opr}	-30 ~ +85	°C
Storage Temperature	T _{stg}	-40 ~ +100	°C
Lead Soldering Temperature	T _{sol}	260°C/5sec	-

*Pulse width Max.10ms Duty ratio max 1/10

■Directivity



■Electrical -Optical Characteristics

(Ta=25°C)

Item	Symbol	Condition	Min.	Typ.	Max.	Unit
DC Forward Voltage	V _F	I _F =100mA	-	1.6	2.0	V
DC Reverse Current	I _R	V _R =5V	-	-	10	μA
Peak Wavelength	λ _p	I _F =100mA	886	880	892	nm
Radiant Intensity	I _e	I _F =100mA	-	45	-	mW/Sr
50% Power Angle	2θ _{1/2}	I _F =100mA	-	30	-	deg

*1 Tolerance of Peak wavelength is ± 1 nm

*2 Tolerance of luminous intensity is $\pm 15\%$