

Specification parameter

Shell material: thermoplastic PA66

Insulator: thermoplastic PPS high temperature resistant 260

Contact material: copper (gold plated, silver plated)

Sealing ring: silica gel

Housing gender: male female seat

Connection: thread connection

Operating temperature: -25 degrees C~110 degrees C

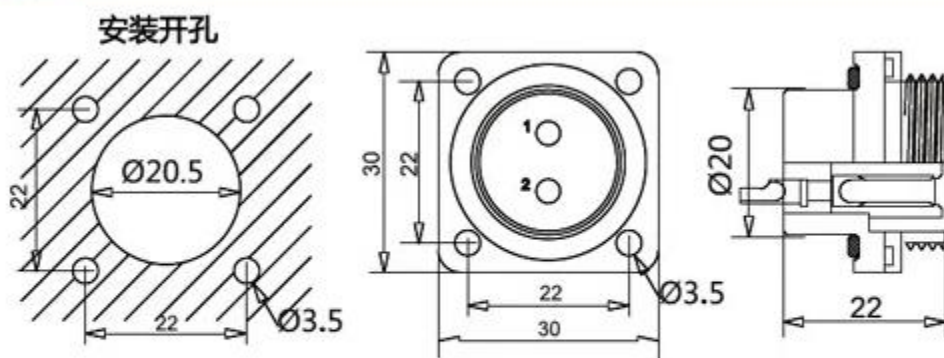
Relative humidity: 90%~95% (40 + 2 degrees C)

Sealing: in line with IP68

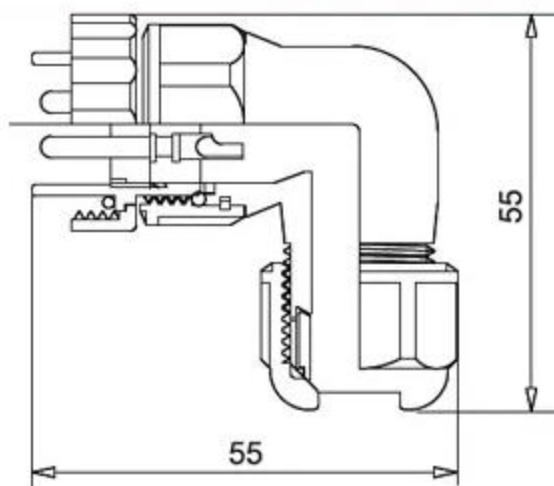
Applicable wire diameter: diameter 8.0~12.0mm

Mechanical life: more than 500 times

外壳 结构形式	方形4孔插座	代号 ZG
------------	--------	----------



外壳结构形式	代号
弯式带电缆紧固插头	TA



SP20	1	2	3	4	5	6	7	9	10	12	14
Male contact face view											
Contact diameter	3.6x1	2.8x2	2.8x3	2.8x4	2.8x5	1.8x6	1.8x7	1x9	1x10	1x12	1x14
Rated current(A)	25A	25A	25A	25A	25A	10A	10A	5A	5A	5A	5A
Rated voltage(AC.V)	250V	250V	250V	250V	250V	250V	250V	250V	250V	250V	250V
Test voltage(AC.V)	1500V	1500V	1500V	1500V	1500V	1500V	1500V	1500V	1500V	1500V	1500V
Contact resistance(mΩ)	1	1	1	1	1	2	2	5	5	5	5
Insulation resistance(mΩ)	2000	2000	2000	2000	2000	2000	2000	2000	2000	2000	2000
Copper wire square(mm ²)	≤6.15	≤6.15	≤6.15	≤6.15	≤6.15	≤2.54	≤2.54	≤0.78	≤0.78	≤0.78	≤0.78