

RL78/L12

User's Manual: Hardware

16-Bit Single-Chip Microcontrollers

All information contained in these materials, including products and product specifications, represents information on the product at the time of publication and is subject to change by Renesas Electronics Corp. without notice. Please review the latest information published by Renesas Electronics Corp. through various means, including the Renesas Electronics Corp. website (<http://www.renesas.com>).

Notice

1. Descriptions of circuits, software and other related information in this document are provided only to illustrate the operation of semiconductor products and application examples. You are fully responsible for the incorporation of these circuits, software, and information in the design of your equipment. Renesas Electronics assumes no responsibility for any losses incurred by you or third parties arising from the use of these circuits, software, or information.
2. Renesas Electronics has used reasonable care in preparing the information included in this document, but Renesas Electronics does not warrant that such information is error free. Renesas Electronics assumes no liability whatsoever for any damages incurred by you resulting from errors in or omissions from the information included herein.
3. Renesas Electronics does not assume any liability for infringement of patents, copyrights, or other intellectual property rights of third parties by or arising from the use of Renesas Electronics products or technical information described in this document. No license, express, implied or otherwise, is granted hereby under any patents, copyrights or other intellectual property rights of Renesas Electronics or others.
4. You should not alter, modify, copy, or otherwise misappropriate any Renesas Electronics product, whether in whole or in part. Renesas Electronics assumes no responsibility for any losses incurred by you or third parties arising from such alteration, modification, copy or otherwise misappropriation of Renesas Electronics product.
5. Renesas Electronics products are classified according to the following two quality grades: "Standard" and "High Quality". The recommended applications for each Renesas Electronics product depends on the product's quality grade, as indicated below.
"Standard": Computers; office equipment; communications equipment; test and measurement equipment; audio and visual equipment; home electronic appliances; machine tools; personal electronic equipment; and industrial robots etc.
"High Quality": Transportation equipment (automobiles, trains, ships, etc.); traffic control systems; anti-disaster systems; anti-crime systems; and safety equipment etc.

Renesas Electronics products are neither intended nor authorized for use in products or systems that may pose a direct threat to human life or bodily injury (artificial life support devices or systems, surgical implantations etc.), or may cause serious property damages (nuclear reactor control systems, military equipment etc.). You must check the quality grade of each Renesas Electronics product before using it in a particular application. You may not use any Renesas Electronics product for any application for which it is not intended. Renesas Electronics shall not be in any way liable for any damages or losses incurred by you or third parties arising from the use of any Renesas Electronics product for which the product is not intended by Renesas Electronics.
6. You should use the Renesas Electronics products described in this document within the range specified by Renesas Electronics, especially with respect to the maximum rating, operating supply voltage range, movement power voltage range, heat radiation characteristics, installation and other product characteristics. Renesas Electronics shall have no liability for malfunctions or damages arising out of the use of Renesas Electronics products beyond such specified ranges.
7. Although Renesas Electronics endeavors to improve the quality and reliability of its products, semiconductor products have specific characteristics such as the occurrence of failure at a certain rate and malfunctions under certain use conditions. Further, Renesas Electronics products are not subject to radiation resistance design. Please be sure to implement safety measures to guard them against the possibility of physical injury, and injury or damage caused by fire in the event of the failure of a Renesas Electronics product, such as safety design for hardware and software including but not limited to redundancy, fire control and malfunction prevention, appropriate treatment for aging degradation or any other appropriate measures. Because the evaluation of microcomputer software alone is very difficult, please evaluate the safety of the final products or systems manufactured by you.
8. Please contact a Renesas Electronics sales office for details as to environmental matters such as the environmental compatibility of each Renesas Electronics product. Please use Renesas Electronics products in compliance with all applicable laws and regulations that regulate the inclusion or use of controlled substances, including without limitation, the EU RoHS Directive. Renesas Electronics assumes no liability for damages or losses occurring as a result of your noncompliance with applicable laws and regulations.
9. Renesas Electronics products and technology may not be used for or incorporated into any products or systems whose manufacture, use, or sale is prohibited under any applicable domestic or foreign laws or regulations. You should not use Renesas Electronics products or technology described in this document for any purpose relating to military applications or use by the military, including but not limited to the development of weapons of mass destruction. When exporting the Renesas Electronics products or technology described in this document, you should comply with the applicable export control laws and regulations and follow the procedures required by such laws and regulations.
10. It is the responsibility of the buyer or distributor of Renesas Electronics products, who distributes, disposes of, or otherwise places the product with a third party, to notify such third party in advance of the contents and conditions set forth in this document, Renesas Electronics assumes no responsibility for any losses incurred by you or third parties as a result of unauthorized use of Renesas Electronics products.
11. This document may not be reproduced or duplicated in any form, in whole or in part, without prior written consent of Renesas Electronics.
12. Please contact a Renesas Electronics sales office if you have any questions regarding the information contained in this document or Renesas Electronics products, or if you have any other inquiries.

(Note 1) "Renesas Electronics" as used in this document means Renesas Electronics Corporation and also includes its majority-owned subsidiaries.

(Note 2) "Renesas Electronics product(s)" means any product developed or manufactured by or for Renesas Electronics.

NOTES FOR CMOS DEVICES

- (1) **VOLTAGE APPLICATION WAVEFORM AT INPUT PIN:** Waveform distortion due to input noise or a reflected wave may cause malfunction. If the input of the CMOS device stays in the area between VIL (MAX) and VIH (MIN) due to noise, etc., the device may malfunction. Take care to prevent chattering noise from entering the device when the input level is fixed, and also in the transition period when the input level passes through the area between VIL (MAX) and VIH (MIN).
- (2) **HANDLING OF UNUSED INPUT PINS:** Unconnected CMOS device inputs can be cause of malfunction. If an input pin is unconnected, it is possible that an internal input level may be generated due to noise, etc., causing malfunction. CMOS devices behave differently than Bipolar or NMOS devices. Input levels of CMOS devices must be fixed high or low by using pull-up or pull-down circuitry. Each unused pin should be connected to VDD or GND via a resistor if there is a possibility that it will be an output pin. All handling related to unused pins must be judged separately for each device and according to related specifications governing the device.
- (3) **PRECAUTION AGAINST ESD:** A strong electric field, when exposed to a MOS device, can cause destruction of the gate oxide and ultimately degrade the device operation. Steps must be taken to stop generation of static electricity as much as possible, and quickly dissipate it when it has occurred. Environmental control must be adequate. When it is dry, a humidifier should be used. It is recommended to avoid using insulators that easily build up static electricity. Semiconductor devices must be stored and transported in an anti-static container, static shielding bag or conductive material. All test and measurement tools including work benches and floors should be grounded. The operator should be grounded using a wrist strap. Semiconductor devices must not be touched with bare hands. Similar precautions need to be taken for PW boards with mounted semiconductor devices.
- (4) **STATUS BEFORE INITIALIZATION:** Power-on does not necessarily define the initial status of a MOS device. Immediately after the power source is turned ON, devices with reset functions have not yet been initialized. Hence, power-on does not guarantee output pin levels, I/O settings or contents of registers. A device is not initialized until the reset signal is received. A reset operation must be executed immediately after power-on for devices with reset functions.
- (5) **POWER ON/OFF SEQUENCE:** In the case of a device that uses different power supplies for the internal operation and external interface, as a rule, switch on the external power supply after switching on the internal power supply. When switching the power supply off, as a rule, switch off the external power supply and then the internal power supply. Use of the reverse power on/off sequences may result in the application of an overvoltage to the internal elements of the device, causing malfunction and degradation of internal elements due to the passage of an abnormal current. The correct power on/off sequence must be judged separately for each device and according to related specifications governing the device.
- (6) **INPUT OF SIGNAL DURING POWER OFF STATE :** Do not input signals or an I/O pull-up power supply while the device is not powered. The current injection that results from input of such a signal or I/O pull-up power supply may cause malfunction and the abnormal current that passes in the device at this time may cause degradation of internal elements. Input of signals during the power off state must be judged separately for each device and according to related specifications governing the device.

How to Use This Manual

Readers

This manual is intended for user engineers who wish to understand the functions of the RL78/L12 and design and develop application systems and programs for these devices. The target products are as follows.

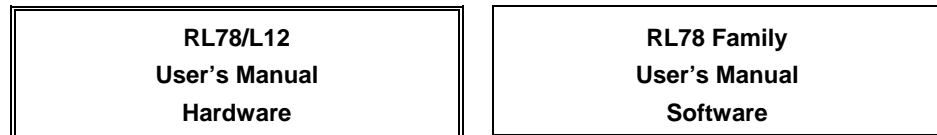
- 32-pin: R5F10RBx (x = 8, A, C)
- 44-pin: R5F10RFx (x = 8, A, C)
- 48-pin: R5F10RGx (x = 8, A, C)
- 52-pin: R5F10RJx (x = 8, A, C)
- 64-pin: R5F10RLx (x = A, C)

Purpose

This manual is intended to give users an understanding of the functions described in the **Organization** below.

Organization

The RL78/L12 manual is separated into two parts: this manual and the software edition (common to the RL78 family).



- Pin functions
- Internal block functions
- Interrupts
- Other on-chip peripheral functions
- Electrical specifications
- CPU functions
- Instruction set
- Explanation of each instruction

How to Read This Manual

It is assumed that the readers of this manual have general knowledge of electrical engineering, logic circuits, and microcontrollers.

- To gain a general understanding of functions:
 - Read this manual in the order of the **CONTENTS**. The mark "<R>" shows major revised points. The revised points can be easily searched by copying an "<R>" in the PDF file and specifying it in the "Find what:" field.
- How to interpret the register format:
 - For a bit number enclosed in angle brackets, the bit name is defined as a reserved word in the assembler, and is defined as an sfr variable using the #pragma sfr directive in the compiler.
- To know details of the RL78/L12 Microcontroller instructions:
 - Refer to the separate document **RL78 Family User's Manual: Software (R01US0015E)**.

Conventions

Data significance: Higher digits on the left and lower digits on the right
Active low representations: \overline{xxx} (overscore over pin and signal name)
Note: Footnote for item marked with **Note** in the text
Caution: Information requiring particular attention
Remark: Supplementary information
Numerical representations: Binary ...xxxx or xxxxB
Decimal ...xxxx
Hexadecimal ...xxxxH

Related Documents

The related documents indicated in this publication may include preliminary versions. However, preliminary versions are not marked as such.

Documents Related to Devices

Document Name	Document No.
RL78/L12 User's Manual: Hardware	This manual
RL78 Family User's Manual: Software	R01US0015E

Documents Related to Flash Memory Programming

Document Name	Document No.
PG-FP5 Flash Memory Programmer User's Manual	R20UT0008E

Caution The related documents listed above are subject to change without notice. Be sure to use the latest version of each document when designing.

Other Documents

Document Name	Document No.
Renesas MPUs & MCUs RL78 Family	R01CP0003E
Semiconductor Package Mount Manual	Note
Quality Grades on NEC Semiconductor Devices	C11531E
Guide to Prevent Damage for Semiconductor Devices by Electrostatic Discharge (ESD)	C11892E
Semiconductor Reliability Handbook	R51ZZ0001E

Note See the "Semiconductor Package Mount Manual" website
(<http://www.renesas.com/products/package/manual/index.jsp>).

Caution The related documents listed above are subject to change without notice. Be sure to use the latest version of each document when designing.

All trademarks and registered trademarks are the property of their respective owners.

EEPROM is a trademark of Renesas Electronics Corporation.

Windows, Windows NT and Windows XP are registered trademarks or trademarks of Microsoft Corporation in the United States and/or other countries.

PC/AT is a trademark of International Business Machines Corporation.

SuperFlash is a registered trademark of Silicon Storage Technology, Inc. in several countries including the United States and Japan.

Caution: This product uses SuperFlash [®] technology licensed from Silicon Storage Technology, Inc.
--

CONTENTS

CHAPTER 1 OUTLINE	1
1.1 Features	1
1.2 List of Part Numbers	3
1.3 Pin Configuration (Top View)	5
1.3.1 32-pin products.....	5
1.3.2 44-pin products.....	6
1.3.3 48-pin products.....	7
1.3.4 52-pin products.....	8
1.3.5 64-pin products.....	9
1.4 Pin Identification	11
1.5 Block Diagram	12
1.5.1 32-pin products.....	12
1.5.2 44-pin products.....	13
1.5.3 48-pin products.....	14
1.5.4 52-pin products.....	15
1.5.5 64-pin products.....	16
1.6 Outline of Functions	17
CHAPTER 2 PIN FUNCTIONS	19
2.1 Port Function	19
2.1.1 32-pin products.....	20
2.1.2 44-pin products.....	22
2.1.3 48-pin products.....	24
2.1.4 52-pin products.....	26
2.1.5 64-pin products.....	28
2.2 Functions Other Than Port Pins	30
2.2.1 Pins for each product (pins other than port pins).....	30
2.2.2 Description of Functions	35
2.3 Connection of Unused Pins	37
2.4 Block Diagrams of Pins	40
CHAPTER 3 CPU ARCHITECTURE	52
3.1 Memory Space	52
3.1.1 Internal program memory space.....	57
3.1.2 Mirror area.....	60
3.1.3 Internal data memory space	62
3.1.4 Special function register (SFR) area	62

3.1.5	Extended special function register (2nd SFR: 2nd Special Function Register) area	62
3.1.6	Data memory addressing	63
3.2	Processor Registers.....	64
3.2.1	Control registers	64
3.2.2	General-purpose registers.....	66
3.2.3	ES and CS registers.....	67
3.2.4	Special function registers (SFRs).....	68
3.2.5	Extended special function registers (2nd SFRs: 2nd Special Function Registers)	74
3.3	Instruction Address Addressing.....	81
3.3.1	Relative addressing.....	81
3.3.2	Immediate addressing.....	81
3.3.3	Table indirect addressing	82
3.3.4	Register direct addressing.....	83
3.4	Addressing for Processing Data Addresses	84
3.4.1	Implied addressing	84
3.4.2	Register addressing	84
3.4.3	Direct addressing	85
3.4.4	Short direct addressing	86
3.4.5	SFR addressing.....	87
3.4.6	Register indirect addressing.....	88
3.4.7	Based addressing.....	89
3.4.8	Based indexed addressing	93
3.4.9	Stack addressing.....	94
CHAPTER 4	PORT FUNCTIONS.....	98
4.1	Port Functions	98
4.2	Port Configuration.....	99
4.2.1	Port 1.....	100
4.2.2	Port 2.....	100
4.2.3	Port 3.....	101
4.2.4	Port 4.....	101
4.2.5	Port 5.....	101
4.2.6	Port 6.....	101
4.2.7	Port 7.....	101
4.2.8	Port 12.....	102
4.2.9	Port 13.....	102
4.2.10	Port 14.....	102
4.3	Registers Controlling Port Function	103
4.3.1	Port mode registers (PMxx).....	106
4.3.2	Port registers (Pxx).....	107
4.3.3	Pull-up resistor option registers (PUxx)	108

4.3.4	Port input mode register (PIM1)	109
4.3.5	Port output mode register (POM1)	109
4.3.6	Port mode control registers (PMCxx)	110
4.3.7	A/D port configuration register (ADPC)	111
4.3.8	Peripheral I/O redirection register (PIOR)	112
4.3.9	LCD port function registers 0 to 4 (PFSEG0 to PFSEG4)	113
4.3.10	LCD input switch control register (ISCLCD)	115
4.4	Port Function Operations	116
4.4.1	Writing to I/O port	116
4.4.2	Reading from I/O port	116
4.4.3	Operations on I/O port	116
4.4.4	Connecting to external device with different potential (1.8 V, 2.5 V, 3 V)	117
4.4.5	Handling different potential (1.8 V, 2.5 V, 3 V) by using I/O buffers	117
4.5	Register Settings When Using Alternate Function	119
4.5.1	Basic concept when using alternate function	119
4.5.2	Register settings for alternate function whose output function is not used	120
4.5.3	Register setting examples for used port and alternate functions	121
4.6	Cautions When Using Port Function	128
4.6.1	Cautions on 1-Bit Manipulation Instruction for Port Register n (Pn)	128
4.6.2	Notes on specifying the pin settings	129
CHAPTER 5	CLOCK GENERATOR	130
5.1	Functions of Clock Generator	130
5.2	Configuration of Clock Generator	132
5.3	Registers Controlling Clock Generator	134
5.3.1	Clock operation mode control register (CMC)	134
5.3.2	System clock control register (CKC)	137
5.3.3	Clock operation status control register (CSC)	138
5.3.4	Oscillation stabilization time counter status register (OSTC)	139
5.3.5	Oscillation stabilization time select register (OSTS)	141
5.3.6	Peripheral enable register 0 (PER0)	143
5.3.7	Subsystem clock supply mode control register (OSMC)	145
5.3.8	High-speed on-chip oscillator frequency select register (HOCODIV)	146
5.3.9	High-speed on-chip oscillator trimming register (HIOTRM)	147
5.4	System Clock Oscillator	148
5.4.1	X1 oscillator	148
5.4.2	XT1 oscillator	148
5.4.3	High-speed on-chip oscillator	152
5.4.4	Low-speed on-chip oscillator	152
5.5	Clock Generator Operation	153
5.6	Controlling Clock	155

5.6.1	Example of setting high-speed on-chip oscillator	155
5.6.2	Example of setting X1 oscillation clock.....	156
5.6.3	Example of setting XT1 oscillation clock	157
5.6.4	CPU clock status transition diagram.....	158
5.6.5	Condition before changing CPU clock and processing after changing CPU clock	164
5.6.6	Time required for switchover of CPU clock and system clock	166
5.6.7	Conditions before clock oscillation is stopped	167
5.7	Resonator and Oscillator Constants	168
CHAPTER 6	TIMER ARRAY UNIT	171
6.1	Functions of Timer Array Unit.....	173
6.1.1	Independent channel operation function	173
6.1.2	Simultaneous channel operation function.....	174
6.1.3	8-bit timer operation function (channels 1 and 3 only).....	176
6.1.4	LIN-bus supporting function (channel 5 only)	176
6.2	Configuration of Timer Array Unit	177
6.2.1	Timer count register mn (TCRmn).....	182
6.2.2	Timer data register mn (TDRmn).....	184
6.3	Registers Controlling Timer Array Unit.....	185
6.3.1	Peripheral enable register 0 (PER0).....	186
6.3.2	Timer clock select register m (TPSm)	187
6.3.3	Timer mode register mn (TMRmn)	190
6.3.4	Timer status register mn (TSRmn)	195
6.3.5	Timer channel enable status register m (TEm).....	196
6.3.6	Timer channel start register m (TSm).....	197
6.3.7	Timer channel stop register m (TTm)	198
6.3.8	Timer input select register 0 (TIS0)	199
6.3.9	Timer output select register (TOS)	199
6.3.10	Timer output enable register m (TOEm)	200
6.3.11	Timer output register m (TOm)	201
6.3.12	Timer output level register m (TOLm).....	202
6.3.13	Timer output mode register m (TOMm)	203
6.3.14	Input switch control register (ISC)	204
6.3.15	Noise filter enable register 1 (NFEN1).....	205
6.3.16	Port mode registers 1, 3 to 5, 14 (PM1, PM3 to PM5, PM14).....	207
6.4	Basic Rules of Timer Array Unit	209
6.4.1	Basic rules of simultaneous channel operation function.....	209
6.4.2	Basic rules of 8-bit timer operation function (channels 1 and 3 only)	211
6.5	Operation of Counter	212
6.5.1	Count clock (f _{CLK})	212
6.5.2	Start timing of counter	214

6.5.3 Operation of counter.....	215
6.6 Channel Output (TOmn pin) Control	220
6.6.1 TOmn pin output circuit configuration.....	220
6.6.2 TOmn Pin Output Setting	221
6.6.3 Cautions on Channel Output Operation	222
6.6.4 Collective manipulation of TOmn bit.....	227
6.6.5 Timer Interrupt and TOmn Pin Output at Operation Start.....	228
6.7 Timer Input (TImn) Control	229
6.7.1 TImn input circuit configuration.....	229
6.7.2 Noise filter	229
6.7.3 Cautions on channel input operation	230
6.8 Independent Channel Operation Function of Timer Array Unit.....	231
6.8.1 Operation as interval timer/square wave output	231
6.8.2 Operation as external event counter	237
6.8.3 Operation as frequency divider (channel 0 only)	242
6.8.4 Operation as input pulse interval measurement	246
6.8.5 Operation as input signal high-/low-level width measurement.....	250
6.8.6 Operation as delay counter	254
6.9 Simultaneous Channel Operation Function of Timer Array Unit	259
6.9.1 Operation as one-shot pulse output function	259
6.9.2 Operation as PWM function.....	266
6.9.3 Operation as multiple PWM output function	273
6.9.4 Remote control output function.....	281
CHAPTER 7 REAL-TIME CLOCK.....	284
7.1 Functions of Real-time Clock.....	284
7.2 Configuration of Real-time Clock	284
7.3 Registers Controlling Real-time Clock.....	286
7.3.1 Peripheral enable register 0 (PER0).....	287
7.3.2 Subsystem clock supply mode control register (OSMC)	289
7.3.3 Real-time clock control register 0 (RTCC0)	290
7.3.4 Real-time clock control register 1 (RTCC1)	291
7.3.5 Second count register (SEC).....	293
7.3.6 Minute count register (MIN)	293
7.3.7 Hour count register (HOUR).....	294
7.3.8 Day count register (DAY).....	296
7.3.9 Week count register (WEEK).....	297
7.3.10 Month count register (MONTH)	298
7.3.11 Year count register (YEAR)	298
7.3.12 Watch error correction register (SUBCUD).....	299
7.3.13 Alarm minute register (ALARMWM)	300

7.3.14 Alarm hour register (ALARMWH)	300
7.3.15 Alarm week register (ALARMWW)	300
7.3.16 Port mode register 3 (PM3)	301
7.3.17 Port register 3 (P3)	301
7.4 Real-time Clock Operation	302
7.4.1 Starting operation of real-time clock	302
7.4.2 Shifting to HALT/STOP mode after starting operation	303
7.4.3 Reading/writing real-time clock	304
7.4.4 Setting alarm of real-time clock	306
7.4.5 1 Hz output of real-time clock	307
7.4.6 Example of watch error correction of real-time clock	308
CHAPTER 8 12-BIT INTERVAL TIMER	313
8.1 Functions of 12-bit Interval Timer	313
8.2 Configuration of 12-bit Interval Timer	313
8.3 Registers Controlling 12-bit Interval Timer	313
8.3.1 Peripheral enable register 0 (PER0)	314
8.3.2 Subsystem clock supply mode control register (OSMC)	315
8.3.3 Interval timer control register (ITMC)	316
8.4 12-bit Interval Timer Operation	317
8.4.1 12-bit interval timer operation timing	317
8.4.2 Start of count operation and re-enter to HALT/STOP mode after returned from HALT/STOP mode	318
CHAPTER 9 CLOCK OUTPUT/BUZZER OUTPUT CONTROLLER	319
9.1 Functions of Clock Output/Buzzer Output Controller	319
9.2 Configuration of Clock Output/Buzzer Output Controller	321
9.3 Registers Controlling Clock Output/Buzzer Output Controller	321
9.3.1 Peripheral enable register 0 (PER0)	322
9.3.2 Clock output select registers n (CKSn)	323
9.3.3 Port mode registers 5, 14 (PM5, PM14)	325
9.4 Operations of Clock Output/Buzzer Output Controller	326
9.4.1 Operation as output pin	326
9.5 Cautions of clock output/buzzer output controller	326
CHAPTER 10 WATCHDOG TIMER	327
10.1 Functions of Watchdog Timer	327
10.2 Configuration of Watchdog Timer	328
10.3 Register Controlling Watchdog Timer	329
10.4 Operation of Watchdog Timer	330

10.4.1	Controlling operation of watchdog timer	330
10.4.2	Setting overflow time of watchdog timer	331
10.4.3	Setting window open period of watchdog timer	332
10.4.4	Setting watchdog timer interval interrupt	333
CHAPTER 11 A/D CONVERTER		334
11.1	Function of A/D Converter	334
11.2	Configuration of A/D Converter	336
11.3	Registers Used in A/D Converter	338
11.3.1	Peripheral enable register 0 (PER0).....	339
11.3.2	A/D converter mode register 0 (ADM0)	340
11.3.3	A/D converter mode register 1 (ADM1)	349
11.3.4	A/D converter mode register 2 (ADM2)	350
11.3.5	10-bit A/D conversion result register (ADCR).....	352
11.3.6	8-bit A/D conversion result register (ADCRH)	353
11.3.7	Analog input channel specification register (ADS).....	354
11.3.8	Conversion result comparison upper limit setting register (ADUL)	355
11.3.9	Conversion result comparison lower limit setting register (ADLL)	355
11.3.10	A/D test register (ADTES)	356
11.3.11	Registers controlling port function of analog input pins	356
11.4	A/D Converter Conversion Operations	357
11.5	Input Voltage and Conversion Results	359
11.6	A/D Converter Operation Modes.....	360
11.6.1	Software trigger mode (sequential conversion mode)	360
11.6.2	Software trigger mode (one-shot conversion mode).....	361
11.6.3	Hardware trigger no-wait mode (sequential conversion mode)	362
11.6.4	Hardware trigger no-wait mode (one-shot conversion mode).....	363
11.6.5	Hardware trigger wait mode (sequential conversion mode).....	364
11.6.6	Hardware trigger wait mode (one-shot conversion mode)	365
11.7	A/D Converter Setup Flowchart	366
11.7.1	Setting up software trigger mode.....	366
11.7.2	Setting up hardware trigger no-wait mode.....	367
11.7.3	Setting up hardware trigger wait mode	368
11.7.4	Setup when temperature sensor output/internal reference voltage output is selected (example for software trigger mode and one-shot conversion mode)	369
11.7.5	Setting up test mode	370
11.8	SNOOZE Mode Function.....	371
11.9	How to Read A/D Converter Characteristics Table.....	375
11.10	Cautions for A/D Converter	377

CHAPTER 12 SERIAL ARRAY UNIT	381
12.1 Functions of Serial Array Unit	381
12.1.1 3-wire serial I/O (CSI00, CSI01)	381
12.1.2 UART (UART0)	382
12.2 Configuration of Serial Array Unit	383
12.2.1 Shift register	385
12.2.2 Lower 9 bits of the serial data register mn (SDRmn)	385
12.3 Registers Controlling Serial Array Unit	387
12.3.1 Peripheral enable register 0 (PER0).....	388
12.3.2 Serial clock select register m (SPSm)	389
12.3.3 Serial mode register mn (SMRmn)	390
12.3.4 Serial communication operation setting register mn (SCRmn)	391
12.3.5 Higher 7 bits of the serial data register mn (SDRmn)	394
12.3.6 Serial flag clear trigger register mn (SIRmn)	395
12.3.7 Serial status register mn (SSRmn)	396
12.3.8 Serial channel start register m (SSm).....	398
12.3.9 Serial channel stop register m (STm)	399
12.3.10 Serial channel enable status register m (SEm)	400
12.3.11 Serial output enable register m (SOEm).....	401
12.3.12 Serial output register m (SOM).....	402
12.3.13 Serial output level register m (SOLm)	403
12.3.14 Serial standby control register m (SSCm)	404
12.3.15 Input switch control register (ISC)	405
12.3.16 Noise filter enable register 0 (NFEN0).....	406
12.3.17 Registers controlling port functions of serial input/output pins	407
12.4 Operation stop mode	408
12.4.1 Stopping the operation by units	408
12.4.2 Stopping the operation by channels	409
12.5 Operation of 3-Wire Serial I/O (CSI00, CSI01) Communication	410
12.5.1 Master transmission	411
12.5.2 Master reception.....	421
12.5.3 Master transmission/reception.....	430
12.5.4 Slave transmission	440
12.5.5 Slave reception.....	450
12.5.6 Slave transmission/reception.....	457
12.5.7 SNOOZE mode function.....	467
12.5.8 Calculating transfer clock frequency.....	472
12.5.9 Procedure for processing errors that occurred during 3-wire serial I/O (CSI00, CSI01) communication	474
12.6 Operation of UART (UART0) Communication	475
12.6.1 UART transmission	477

12.6.2	UART reception.....	487
12.6.3	SNOOZE mode function.....	494
12.6.4	Calculating baud rate	502
12.6.5	Procedure for processing errors that occurred during UART (UART0) communication	506
12.7	LIN Communication Operation	507
12.7.1	LIN transmission.....	507
12.7.2	LIN reception	510
CHAPTER 13	SERIAL INTERFACE IICA.....	516
13.1	Functions of Serial Interface IICA.....	516
13.2	Configuration of Serial Interface IICA	519
13.3	Registers Controlling Serial Interface IICA.....	522
13.3.1	Peripheral enable register 0 (PER0).....	522
13.3.2	IICA control register 00 (IICCTL00)	523
13.3.3	IICA status register 0 (IICS0).....	528
13.3.4	IICA flag register 0 (IICF0).....	530
13.3.5	IICA control register 01 (IICCTL01)	532
13.3.6	IICA low-level width setting register 0 (IICWLO)	534
13.3.7	IICA high-level width setting register 0 (IICWHO)	534
13.3.8	Port mode register 6 (PM6)	535
13.4	I²C Bus Mode Functions	536
13.4.1	Pin configuration.....	536
13.4.2	Setting transfer clock by using IICWLO and IICWHO registers.....	537
13.5	I²C Bus Definitions and Control Methods	539
13.5.1	Start conditions.....	539
13.5.2	Addresses	540
13.5.3	Transfer direction specification.....	540
13.5.4	Acknowledge (\overline{ACK})	541
13.5.5	Stop condition.....	542
13.5.6	Wait	543
13.5.7	Canceling wait	545
13.5.8	Interrupt request (INTIICA0) generation timing and wait control.....	546
13.5.9	Address match detection method.....	547
13.5.10	Error detection.....	547
13.5.11	Extension code.....	547
13.5.12	Arbitration	548
13.5.13	Wakeup function.....	550
13.5.14	Communication reservation.....	553
13.5.15	Cautions	557
13.5.16	Communication operations.....	558
13.5.17	Timing of I ² C interrupt request (INTIICA0) occurrence	565

13.6 Timing Charts	586
CHAPTER 14 LCD CONTROLLER/DRIVER	601
14.1 Functions of LCD Controller/Driver	603
14.2 Configuration of LCD Controller/Driver	606
14.3 Registers Controlling LCD Controller/Driver	608
14.3.1 Peripheral enable register 0 (PER0).....	609
14.3.2 LCD mode register 0 (LCDM0).....	610
14.3.3 LCD mode register 1 (LCDM1).....	612
14.3.4 Subsystem clock supply mode control register (OSMC).....	614
14.3.5 LCD clock control register 0 (LCDC0)	615
14.3.6 LCD boost level control register (VLCD).....	617
14.3.7 LCD input switch control register (ISCLCD)	618
14.3.8 LCD port function registers 0 to 4 (PFSEG0 to PFSEG4)	620
14.3.9 Port mode registers 1, 3 to 7, 12, 14 (PM1, PM3 to PM7, PM12, PM14)	624
14.4 LCD Display Data Registers	625
14.5 Selection of LCD Display Register	627
14.5.1 A-pattern area and B-pattern area data display.....	628
14.5.2 Blinking display (Alternately displaying A-pattern and B-pattern area data)	628
14.6 Setting the LCD Controller/Driver.....	629
14.7 Operation stop procedure	632
14.8 Supplying LCD Drive Voltages VL1, VL2, VL3, and VL4.....	633
14.8.1 External resistance division method	633
14.8.2 Internal voltage boosting method	634
14.8.3 Capacitor split method.....	635
14.9 Common and Segment Signals	636
14.9.1 Normal liquid crystal waveform.....	636
14.10 Display Modes	644
14.10.1 Static display example.....	644
14.10.2 Two-time-slice display example.....	647
14.10.3 Three-time-slice display example	650
14.10.4 Four-time-slice display example	654
14.10.5 Eight-time-slice display example	658
CHAPTER 15 MULTIPLIER AND DIVIDER/MULTIPLY-ACCUMULATOR	662
15.1 Functions of Multiplier and Divider/Multiply-Accumulator	662
15.2 Configuration of Multiplier and Divider/Multiply-Accumulator	662
15.2.1 Multiplication/division data register A (MDAH, MDAL).....	664
15.2.2 Multiplication/division data register B (MDBL, MDBH).....	665
15.2.3 Multiplication/division data register C (MDCL, MDCH)	666
15.3 Register Controlling Multiplier and Divider/Multiply-Accumulator	668

15.3.1	Multiplication/division control register (MDUC)	668
15.4	Operations of Multiplier and Divider/Multiply-Accumulator	670
15.4.1	Multiplication (unsigned) operation	670
15.4.2	Multiplication (signed) operation	671
15.4.3	Multiply-accumulation (unsigned) operation	672
15.4.4	Multiply-accumulation (signed) operation	674
15.4.5	Division operation	676
CHAPTER 16	DMA CONTROLLER	678
16.1	Functions of DMA Controller	678
16.2	Configuration of DMA Controller	679
16.2.1	DMA SFR address register n (DSAn)	679
16.2.2	DMA RAM address register n (DRAn)	680
16.2.3	DMA byte count register n (DBCn)	681
16.3	Registers Controlling DMA Controller	682
16.3.1	DMA mode control register n (DMCn)	683
16.3.2	DMA operation control register n (DRCn)	685
16.4	Operation of DMA Controller	686
16.4.1	Operation procedure	686
16.4.2	Transfer mode	687
16.4.3	Termination of DMA transfer	687
16.5	Example of Setting of DMA Controller	688
16.5.1	CSI consecutive transmission	688
16.5.2	Consecutive capturing of A/D conversion results	690
16.5.3	UART consecutive reception + ACK transmission	692
16.5.4	Holding DMA transfer pending by DWAITn bit	694
16.5.5	Forced termination by software	695
16.6	Cautions on Using DMA Controller	697
CHAPTER 17	INTERRUPT FUNCTIONS	699
17.1	Interrupt Function Types	699
17.2	Interrupt Sources and Configuration	699
17.3	Registers Controlling Interrupt Functions	705
17.3.1	Interrupt request flag registers (IF0L, IF0H, IF1L, IF1H, IF2L)	708
17.3.2	Interrupt mask flag registers (MK0L, MK0H, MK1L, MK1H, MK2L)	710
17.3.3	Priority specification flag registers (PR00L, PR00H, PR01L, PR01H, PR02L, PR10L, PR10H, PR11L, PR11H, PR12L)	711
17.3.4	External interrupt rising edge enable register (EGP0), external interrupt falling edge enable register (EGN0)	713
17.3.5	Program status word (PSW)	715
17.4	Interrupt Servicing Operations	716

17.4.1 Maskable interrupt request acknowledgment	716
17.4.2 Software interrupt request acknowledgment	719
17.4.3 Multiple interrupt servicing.....	719
17.4.4 Interrupt request hold	723
CHAPTER 18 KEY INTERRUPT FUNCTION	724
18.1 Functions of Key Interrupt	724
18.2 Configuration of Key Interrupt	725
18.3 Register Controlling Key Interrupt	726
18.3.1 Key return control register (KRCTL)	726
18.3.2 Key return mode register 0 (KRM0).....	727
18.3.3 Key return flag register (KRF).....	727
18.3.4 Port mode registers 1, 3, 7, 14 (PM1, PM3, PM7, PM14)	728
18.4 Key Interrupt Operation	729
18.4.1 When not using the key interrupt flag (KRMD = 0)	729
18.4.2 When using the key interrupt flag (KRMD = 1)	730
CHAPTER 19 STANDBY FUNCTION	732
19.1 Standby Function and Configuration	732
19.1.1 Standby function.....	732
19.2 Registers controlling standby function	733
19.3 Standby Function Operation	733
19.3.1 HALT mode	733
19.3.2 STOP mode.....	738
19.3.3 SNOOZE mode	743
CHAPTER 20 RESET FUNCTION.....	745
20.1 Timing of Reset Operation	747
20.2 States of Operation During Reset Periods.....	749
20.3 Register for Confirming Reset Source	751
20.3.1 Reset Control Flag Register (RESF)	751
CHAPTER 21 POWER-ON-RESET CIRCUIT	754
21.1 Functions of Power-on-reset Circuit	754
21.2 Configuration of Power-on-reset Circuit.....	755
21.3 Operation of Power-on-reset Circuit	755
CHAPTER 22 VOLTAGE DETECTOR	759
22.1 Functions of Voltage Detector	759
22.2 Configuration of Voltage Detector.....	760

22.3 Registers Controlling Voltage Detector	760
22.3.1 Voltage detection register (LVIM)	761
22.3.2 Voltage detection level register (LVIS)	762
22.4 Operation of Voltage Detector	765
22.4.1 When used as reset mode.....	765
22.4.2 When used as interrupt mode	767
22.4.3 When used as interrupt and reset mode	769
22.5 Cautions for Voltage Detector.....	774
 CHAPTER 23 SAFETY FUNCTIONS.....	 776
23.1 Overview of Safety Functions	776
23.2 Registers Used by Safety Functions	777
23.3 Operation of Safety Functions	777
23.3.1 Flash memory CRC operation function (high-speed CRC).....	777
23.3.1.1 Flash memory CRC control register (CRCOCTL)	778
23.3.1.2 Flash memory CRC operation result register (PGCRCL).....	779
23.3.2 CRC operation function (general-purpose CRC)	781
23.3.2.1 CRC input register (CRCIN)	781
23.3.2.2 CRC data register (CRCD).....	782
23.3.3 RAM parity error detection function	783
23.3.3.1 RAM parity error control register (RPECTL).....	783
23.3.4 RAM guard function.....	785
23.3.4.1 Invalid memory access detection control register (IAWCTL).....	785
23.3.5 SFR guard function	786
23.3.5.1 Invalid memory access detection control register (IAWCTL).....	786
23.3.6 Invalid memory access detection function	787
23.3.6.1 Invalid memory access detection control register (IAWCTL).....	788
23.3.7 Frequency detection function	789
23.3.7.1 Timer input select register 0 (TIS0)	790
23.3.8 A/D test function	791
23.3.8.1 A/D test register (ADTES)	793
23.3.8.2 Analog input channel specification register (ADS)	794
 CHAPTER 24 REGULATOR	 796
24.1 Regulator Overview.....	796
 CHAPTER 25 OPTION BYTE.....	 797
25.1 Functions of Option Bytes	797
25.1.1 User option byte (000C0H to 000C2H).....	797
25.1.2 On-chip debug option byte (000C3H).....	798
25.2 Format of User Option Byte	799
25.3 Format of On-chip Debug Option Byte.....	803

25.4 Setting of Option Byte.....	804
CHAPTER 26 FLASH MEMORY	805
26.1 Writing to Flash Memory by Using Flash Memory Programmer	807
26.1.1 Programming Environment.....	809
26.1.2 Communication Mode	809
26.2 Writing to Flash Memory by Using External Device (that Incorporates UART)	810
26.2.1 Programming Environment.....	810
26.2.2 Communication Mode	811
26.3 Connection of Pins on Board	812
26.3.1 P40/TOOL0 pin	812
26.3.2 RESET pin.....	812
26.3.3 Port pins	813
26.3.4 REGC pin	813
26.3.5 X1 and X2 pins	813
26.3.6 Power supply	813
26.4 Serial Programming Method	814
26.4.1 Serial programming procedure	814
26.4.2 Flash memory programming mode.....	815
26.4.3 Selecting communication mode.....	817
26.4.4 Communication commands	817
26.5 Processing Time for Each Command When PG-FP5 Is in Use (Reference Value)	819
26.6 Self-Programming	820
26.6.1 Self-programming procedure.....	821
26.6.2 Flash shield window function.....	822
26.7 Security Settings	823
26.8 Data Flash	825
26.8.1 Data flash overview	825
26.8.2 Register controlling data flash memory	825
26.8.2.1 Data flash control register (DFLCTL)	825
26.8.3 Procedure for accessing data flash memory	826
CHAPTER 27 ON-CHIP DEBUG FUNCTION	827
27.1 Connecting E1 On-chip Debugging Emulator	827
27.2 On-Chip Debug Security ID	828
27.3 Securing of User Resources	828
CHAPTER 28 BCD CORRECTION CIRCUIT	830
28.1 BCD Correction Circuit Function.....	830
28.2 Registers Used by BCD Correction Circuit	830
28.2.1 BCD correction result register (BCDADJ).....	830

28.3 BCD Correction Circuit Operation	831
CHAPTER 29 INSTRUCTION SET.....	833
29.1 Conventions Used in Operation List	834
29.1.1 Operand identifiers and specification methods.....	834
29.1.2 Description of operation column	835
29.1.3 Description of flag operation column	836
29.1.4 PREFIX instruction	836
29.2 Operation List	837
CHAPTER 30 ELECTRICAL SPECIFICATIONS (A, G: T_A = -40 to +85°C).....	854
30.1 Absolute Maximum Ratings	855
30.2 Oscillator Characteristics	858
30.2.1 X1, XT1 oscillator characteristics	858
30.2.2 On-chip oscillator characteristics.....	858
30.3 DC Characteristics	859
30.3.1 Pin characteristics	859
30.3.2 Supply current characteristics	864
30.4 AC Characteristics	870
30.4.1 Basic operation.....	870
30.5 Peripheral Functions Characteristics.....	874
30.5.1 Serial array unit	874
30.5.2 Serial interface IICA	894
30.6 Analog Characteristics	898
30.6.1 A/D converter characteristics.....	898
30.6.2 Temperature sensor/internal reference voltage characteristics	902
30.6.3 POR circuit characteristics	903
30.6.4 LVD circuit characteristics	904
30.6.5 Supply voltage rise time	905
30.7 LCD Characteristics	906
30.7.1 Resistance division method.....	906
30.7.2 Internal voltage boosting method	907
30.7.3 Capacitor split method.....	909
30.8 Data Memory STOP Mode Low Supply Voltage Data Retention Characteristics.....	910
30.9 Flash Memory Programming Characteristics.....	910
30.10 Dedicated Flash Memory Programmer Communication (UART).....	910
30.11 Timing Specifications for Switching Flash Memory Programming Modes	911
CHAPTER 31 ELECTRICAL SPECIFICATIONS (G: T_A = -40 to +105°C).....	912
31.1 Absolute Maximum Ratings	914

31.2 Oscillator Characteristics	917
31.2.1 X1, XT1 oscillator characteristics	917
31.2.2 On-chip oscillator characteristics	918
31.3 DC Characteristics	919
31.3.1 Pin characteristics	919
31.3.2 Supply current characteristics	924
31.4 AC Characteristics	930
31.4.1 Basic operation	930
31.5 Peripheral Functions Characteristics	933
31.5.1 Serial array unit	933
31.5.2 Serial interface IICA	948
31.6 Analog Characteristics	950
31.6.1 A/D converter characteristics	950
31.6.2 Temperature sensor/internal reference voltage characteristics	954
31.6.3 POR circuit characteristics	954
31.6.4 LVD circuit characteristics	955
31.6.5 Power supply voltage rising slope characteristics	956
31.7 LCD Characteristics	956
31.7.1 Resistance division method	956
31.7.2 Internal voltage boosting method	957
31.7.3 Capacitor split method	959
31.8 Data Memory STOP Mode Low Supply Voltage Data Retention Characteristics	959
31.9 Flash Memory Programming Characteristics	960
31.10 Dedicated Flash Memory Programmer Communication (UART)	960
31.11 Timing Specifications for Switching Flash Memory Programming Modes	961
CHAPTER 32 PACKAGE DRAWINGS	962
32.1 32-pin products	962
32.2 44-pin products	963
32.3 48-pin products	964
32.4 52-pin products	965
32.5 64-pin products	966
APPENDIX A REVISION HISTORY	969
A.1 Major Revisions in This Edition	969
A.2 Revision History of Preceding Editions	979

CHAPTER 1 OUTLINE

<R> 1.1 Features

Ultra-low power consumption technology

- V_{DD} = single power supply voltage of 1.6 to 5.5 V which can operate a 1.8 V device at a low voltage
- HALT mode
- STOP mode
- SNOOZE mode

RL78 CPU core

- CISC architecture with 3-stage pipeline
- Minimum instruction execution time: Can be changed from high speed (0.04167 μ s: @ 24 MHz operation with high-speed on-chip oscillator) to ultra-low speed (30.5 μ s: @ 32.768 kHz operation with subsystem clock)
- Address space: 1 MB
- General-purpose registers: (8-bit register \times 8) \times 4 banks
- On-chip RAM: 1 to 1.5 KB

Code flash memory

- Code flash memory: 8 to 32 KB
- Block size: 1 KB
- Prohibition of block erase and rewriting (security function)
- On-chip debug function
- Self-programming (with flash shield window function)

Data flash memory

- Data flash memory: 2 KB
- Back ground operation (BGO): Instructions can be executed from the program memory while rewriting the data flash memory.
- Number of rewrites: 1,000,000 times (TYP.)
- Voltage of rewrites: V_{DD} = 1.8 to 5.5 V

High-speed on-chip oscillator

- Select from 24 MHz, 16 MHz, 12 MHz, 8 MHz, 6 MHz, 4 MHz, 3 MHz, 2 MHz, and 1 MHz
- High accuracy: $\pm 1.0\%$ (V_{DD} = 1.8 to 5.5 V, T_A = -20 to +85°C)

Operating ambient temperature

- T_A = -40 to +85°C (A: Consumer applications)
- T_A = -40 to +105°C (G: Industrial applications)

Power management and reset function

- On-chip power-on-reset (POR) circuit
- On-chip voltage detector (LVD) (Select interrupt and reset from 14 levels)

DMA (Direct Memory Access) controller

- 2 channels
- Number of clocks during transfer between 8/16-bit SFR and internal RAM: 2 clocks

Multiplier and divider/multiply-accumulator

- $16 \text{ bits} \times 16 \text{ bits} = 32 \text{ bits}$ (Unsigned or signed)
- $32 \text{ bits} \div 32 \text{ bits} = 32 \text{ bits}$ (Unsigned)
- $16 \text{ bits} \times 16 \text{ bits} + 32 \text{ bits} = 32 \text{ bits}$ (Unsigned or signed)

LCD controller/driver (internal voltage boosting method (44-, 48-, 52-, 64-pin products only), capacitor split method, and external resistance division method are switchable)

- Number of segment signal output: 39 (35)^{Note} to 13
- Number of common signal output: 4 (8)^{Note}

Note () indicates the number of signal output pins when 8 com is used.

Serial interface

- CSI: 2 channels
- UART/UART (LIN-bus supported): 1 channel
- I²C/Simplified I²C communication: 1 channel

Timer

- 16-bit timer: 8 channels (remote control output function is only available in the 44-, 48-, 52-, and 64-pin products.)
- 12-bit interval timer: 1 channel
- Real-time clock: 1 channel (calendar for 99 years, alarm function, and clock correction function)
- Watchdog timer: 1 channel (operable with the dedicated low-speed on-chip oscillator)

A/D converter

- 8/10-bit resolution A/D converter ($V_{DD} = 1.6$ to 5.5 V)
- Analog input: 4 to 10 channels
- Internal reference voltage (1.45 V) and temperature sensor ^{Note 1}

I/O port

- I/O port: 20 to 47 (N-ch open drain I/O [E_{VDD} withstand voltage]: 2)
- Can be set to N-ch open drain, TTL input buffer, and on-chip pull-up resistor
- Different potential interface: Can connect to a 1.8/2.5/3 V device
- On-chip key interrupt function
- On-chip clock output/buzzer output controller

Others

- On-chip BCD (binary-coded decimal) correction circuit

Note Can be selected only in HS (high-speed main) mode

Remark The functions mounted depend on the product. See **1.6 Outline of Functions**.

○ ROM, RAM capacities

Flash ROM	Data flash	RAM	RL78/L12				
			32 pins	44 pins	48 pins	52 pins	64 pins
32 KB	2 KB	1.5 KB ^{Note}	R5F10RBC	R5F10RFC	R5F10RGC	R5F10RJC	R5F10RLC
16 KB	2 KB	1 KB ^{Note}	R5F10RBA	R5F10RFA	R5F10RGA	R5F10RJA	R5F10RLA
8KB	2 KB	1 KB ^{Note}	R5F10RB8	R5F10RF8	R5F10RG8	R5F10RJ8	—

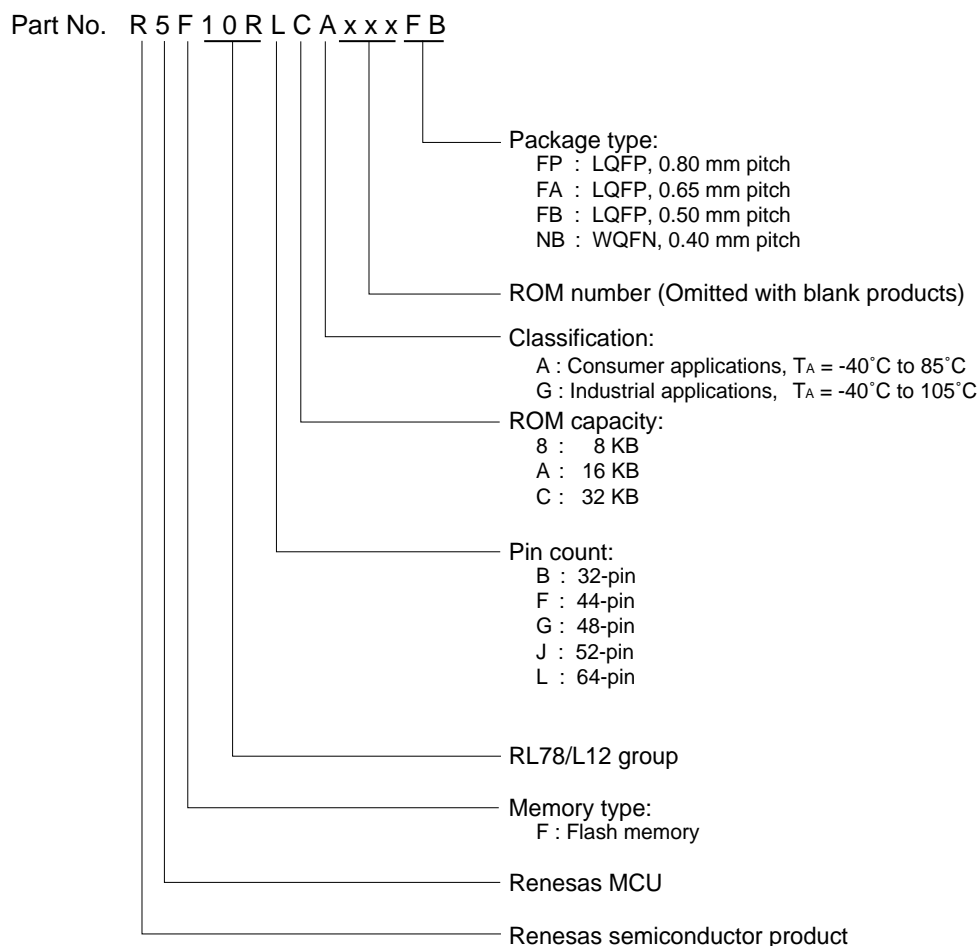
Note In the case of the 1 KB, and 1.5 KB, this is 630 bytes when the self-programming function and data flash function is used. (For details, see **CHAPTER 3 CPU ARCHITECTURE**)

Remark The functions mounted depend on the product. See **1.6 Outline of Functions**.

1.2 List of Part Numbers

<R>

Figure 1-1 Part Number, Memory Size, and Package of RL78/L12



<R> Pin count	Package	Fields of Application ^{Note}	Part Number
32 pins	32-pin plastic LQFP (7 × 7)	A G	R5F10RB8AFP, R5F10RBAAFP, R5F10RBCAFP R5F10RB8GFP, R5F10RBAGFP, R5F10RBCGFP
44 pins	44-pin plastic LQFP (10 × 10)	A G	R5F10RF8AFP, R5F10RFAAFP, R5F10RFCAFP R5F10RF8GFP, R5F10RFAGFP, R5F10RFCGFP
48 pins	48-pin plastic LQFP (fine pitch) (7 × 7)	A G	R5F10RG8AFB, R5F10RGAAFB, R5F10RGCAFB R5F10RG8GFB, R5F10RGAGFB, R5F10RGCGB
52 pins	52-pin plastic LQFP (10 × 10)	A G	R5F10RJ8AFA, R5F10RJAAFA, R5F10RJCAFA R5F10RJ8GFA, R5F10RJAGFA, R5F10RJCGFA
64 pins	64-pin plastic WQFN (8 × 8)	A G	R5F10RLAANB, R5F10RLCANB R5F10RLAGNB, R5F10RLCGNB
	64-pin plastic LQFP (fine pitch) (10 × 10)	A G	R5F10RLAAFB, R5F10RLCAFB R5F10RLAGFB, R5F10RLCGFB
	64-pin plastic LQFP (12 × 12)	A G	R5F10RLAAFA, R5F10RLCAFA R5F10RLAGFA, R5F10RLCGFA

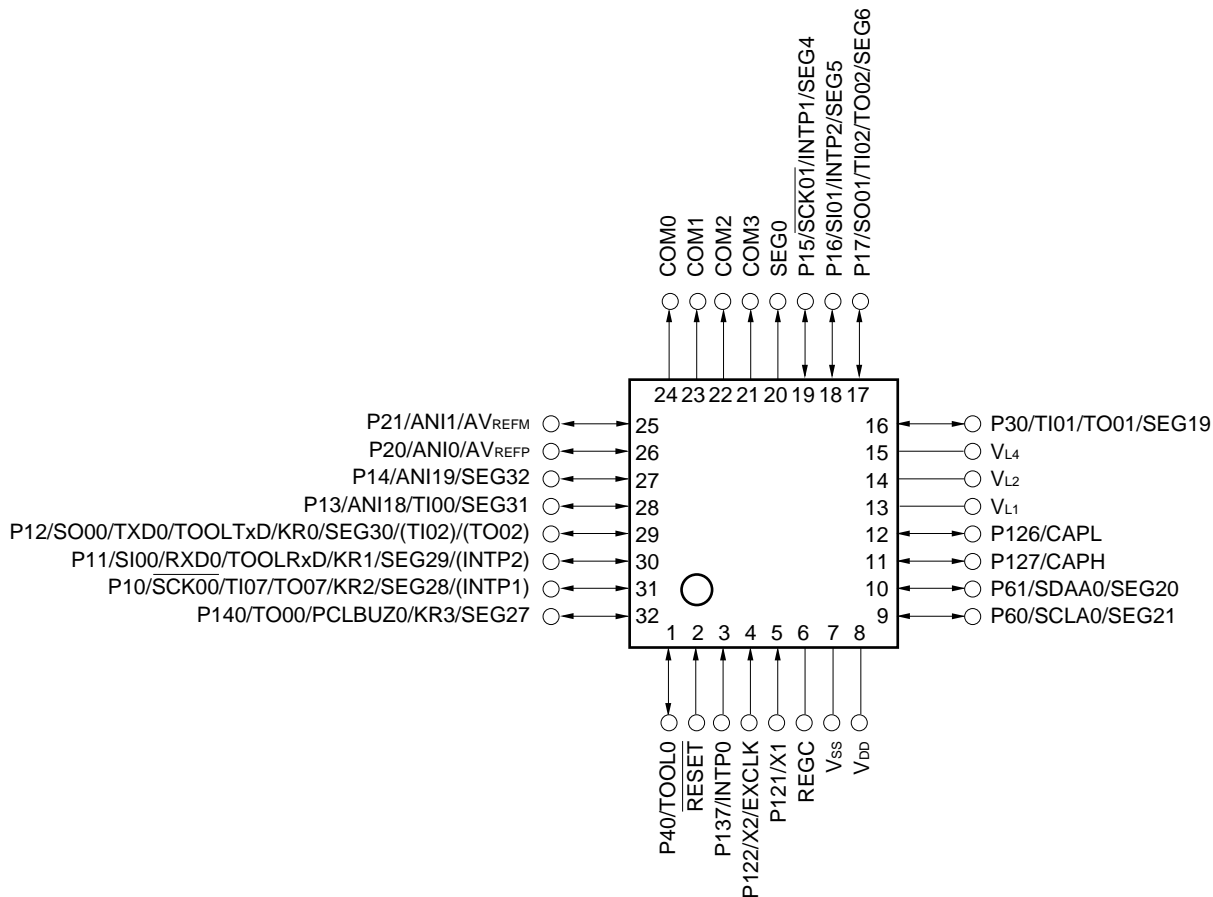
<R> **Note** For the fields of application, refer to **Figure 1-1 Part Number, Memory Size, and Package of RL78/L12**.

<R> **Caution** The ordering part numbers represent the numbers at the time of publication. For the latest ordering part numbers, refer to the target product page of the Renesas Electronics website.

1.3 Pin Configuration (Top View)

1.3.1 32-pin products

- <R> • 32-pin plastic LQFP (7 × 7)

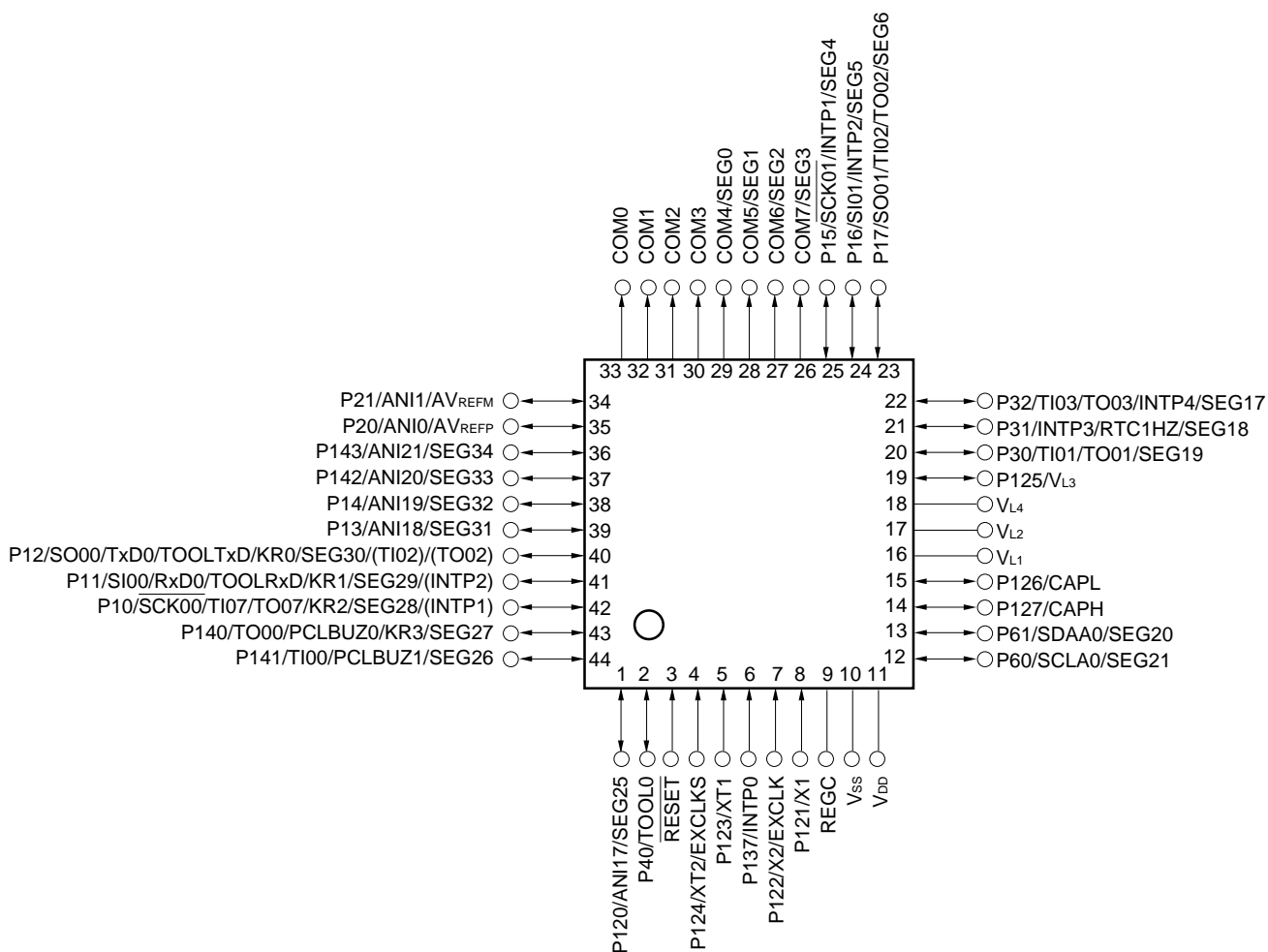


Caution Connect the REGC pin to Vss via a capacitor (0.47 to 1 μ F).

- Remarks**
1. For pin identification, see 1.4 Pin Identification.
 2. Functions in parentheses in the above figure can be assigned via settings in the peripheral I/O redirection register (PIOR). Refer to Figure 4-8 Format of Peripheral I/O Redirection Register (PIOR).

1.3.2 44-pin products

- 44-pin plastic LQFP (10 × 10)

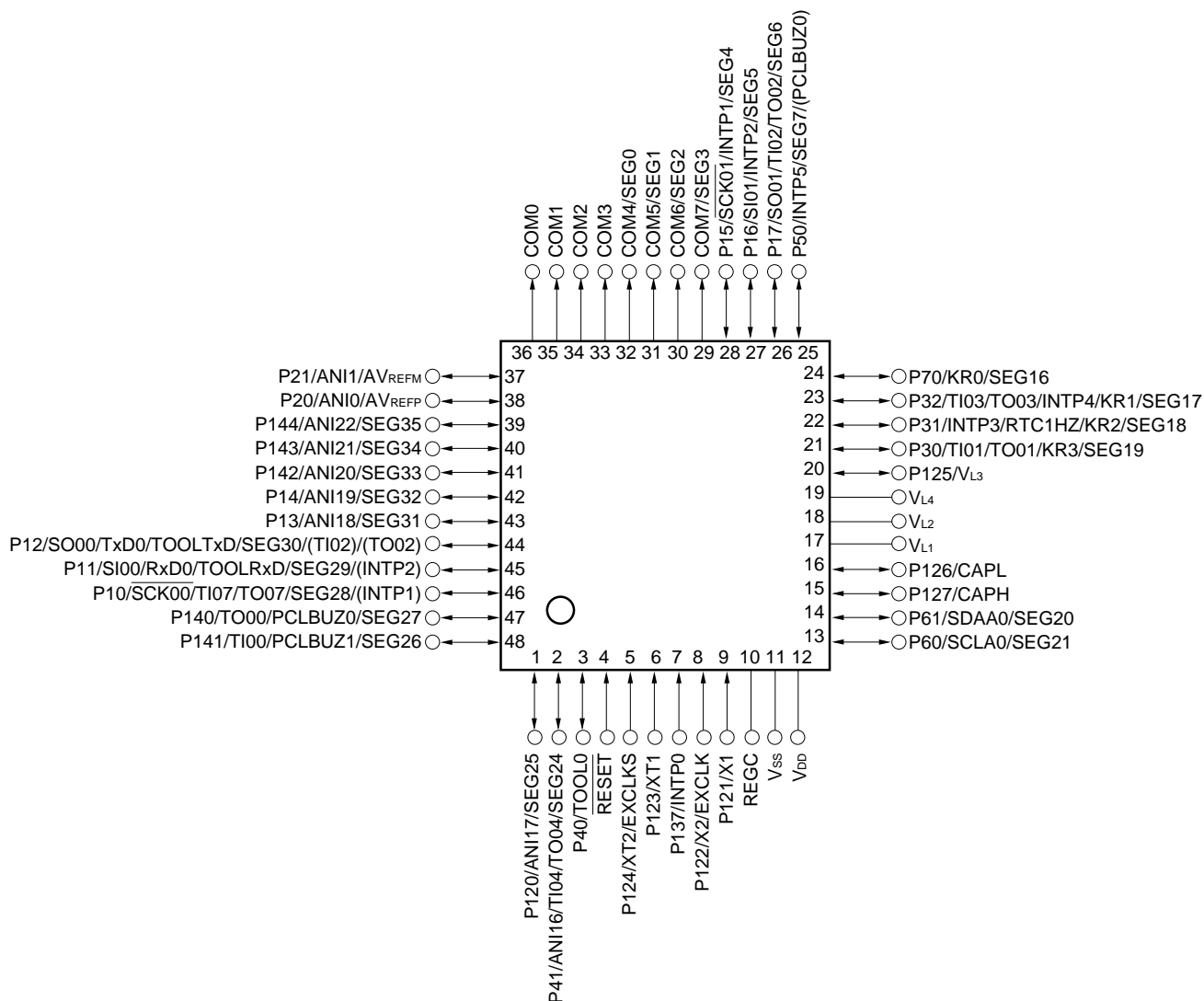


Caution Connect the REGC pin to Vss via a capacitor (0.47 to 1 μ F).

- Remarks**
1. For pin identification, see 1.4 Pin Identification.
 2. Functions in parentheses in the above figure can be assigned via settings in the peripheral I/O redirection register (PIOR). Refer to **Figure 4-8 Format of Peripheral I/O Redirection Register (PIOR)**.

1.3.3 48-pin products

- <R> • 48-pin plastic LQFP (fine pitch) (7 × 7)

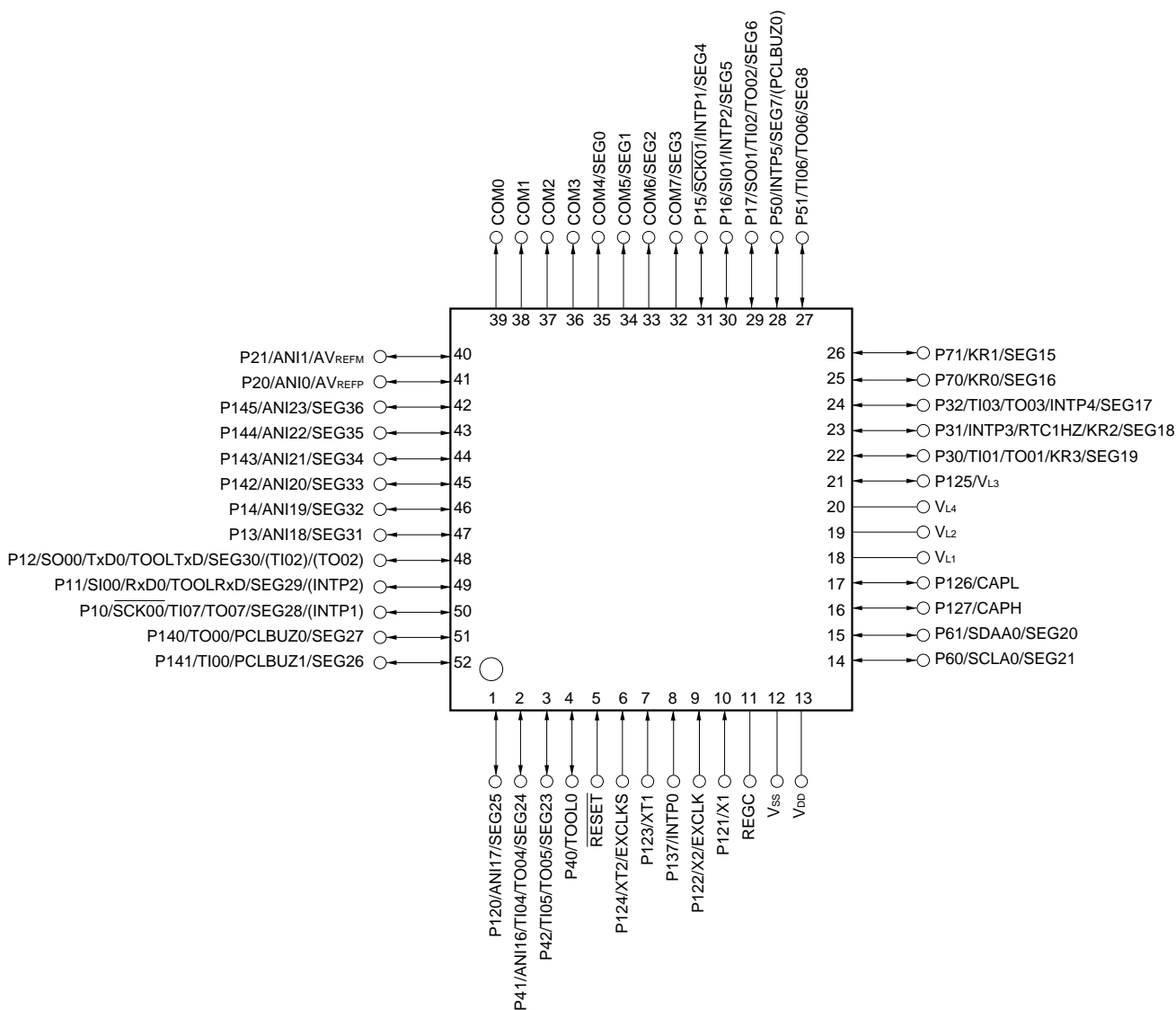


Caution Connect the REGC pin to Vss via a capacitor (0.47 to 1 μF).

- Remarks**
1. For pin identification, see 1.4 Pin Identification.
 2. Functions in parentheses in the above figure can be assigned via settings in the peripheral I/O redirection register (PIOR). Refer to Figure 4-8 Format of Peripheral I/O Redirection Register (PIOR).

1.3.4 52-pin products

- <R> • 52-pin plastic LQFP (10 × 10)

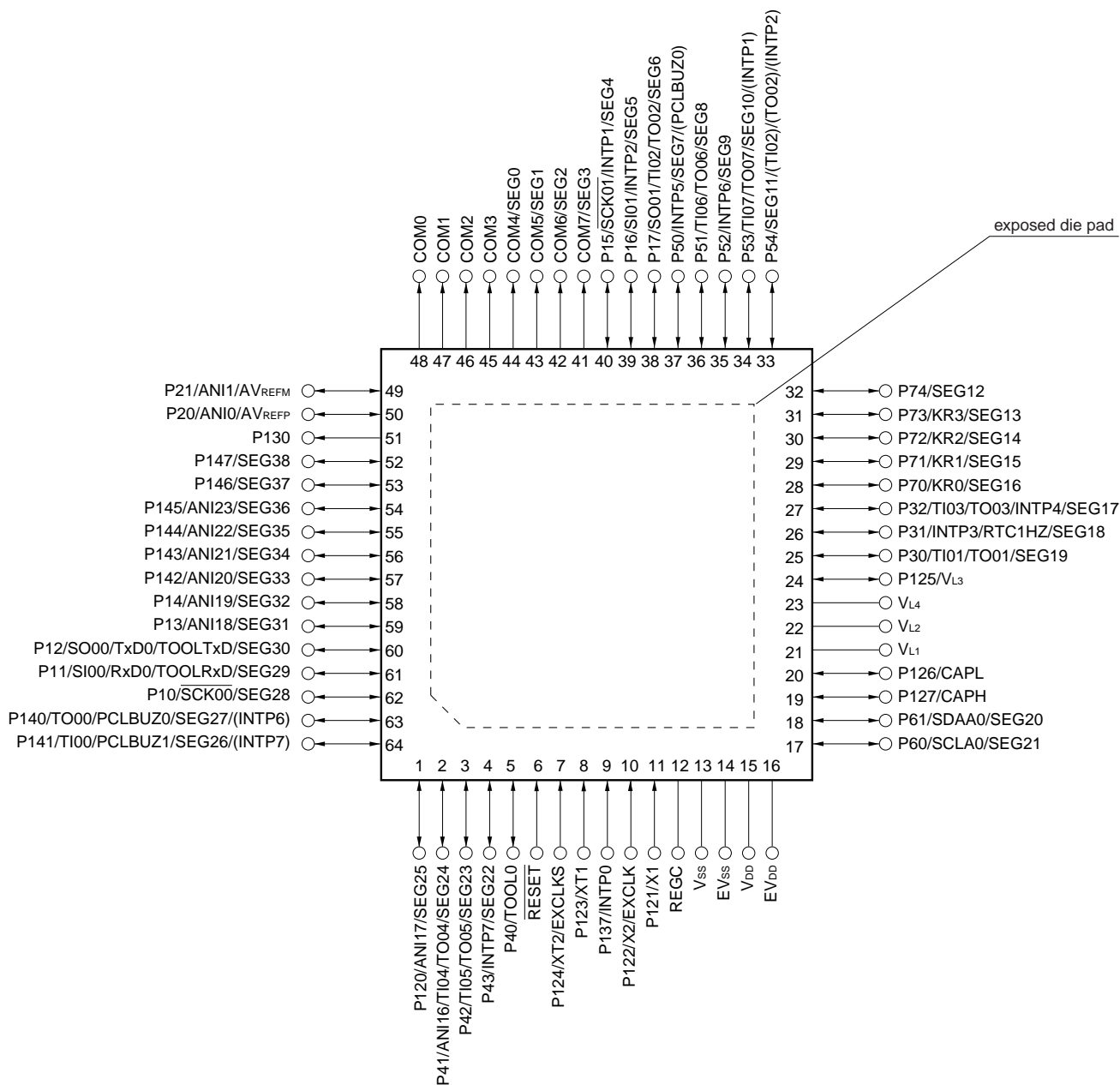


Caution Connect the REGC pin to Vss via a capacitor (0.47 to 1 μF).

- Remarks**
1. For pin identification, see 1.4 Pin Identification.
 2. Functions in parentheses in the above figure can be assigned via settings in the peripheral I/O redirection register (PIOR). Refer to Figure 4-8 Format of Peripheral I/O Redirection Register (PIOR).

1.3.5 64-pin products

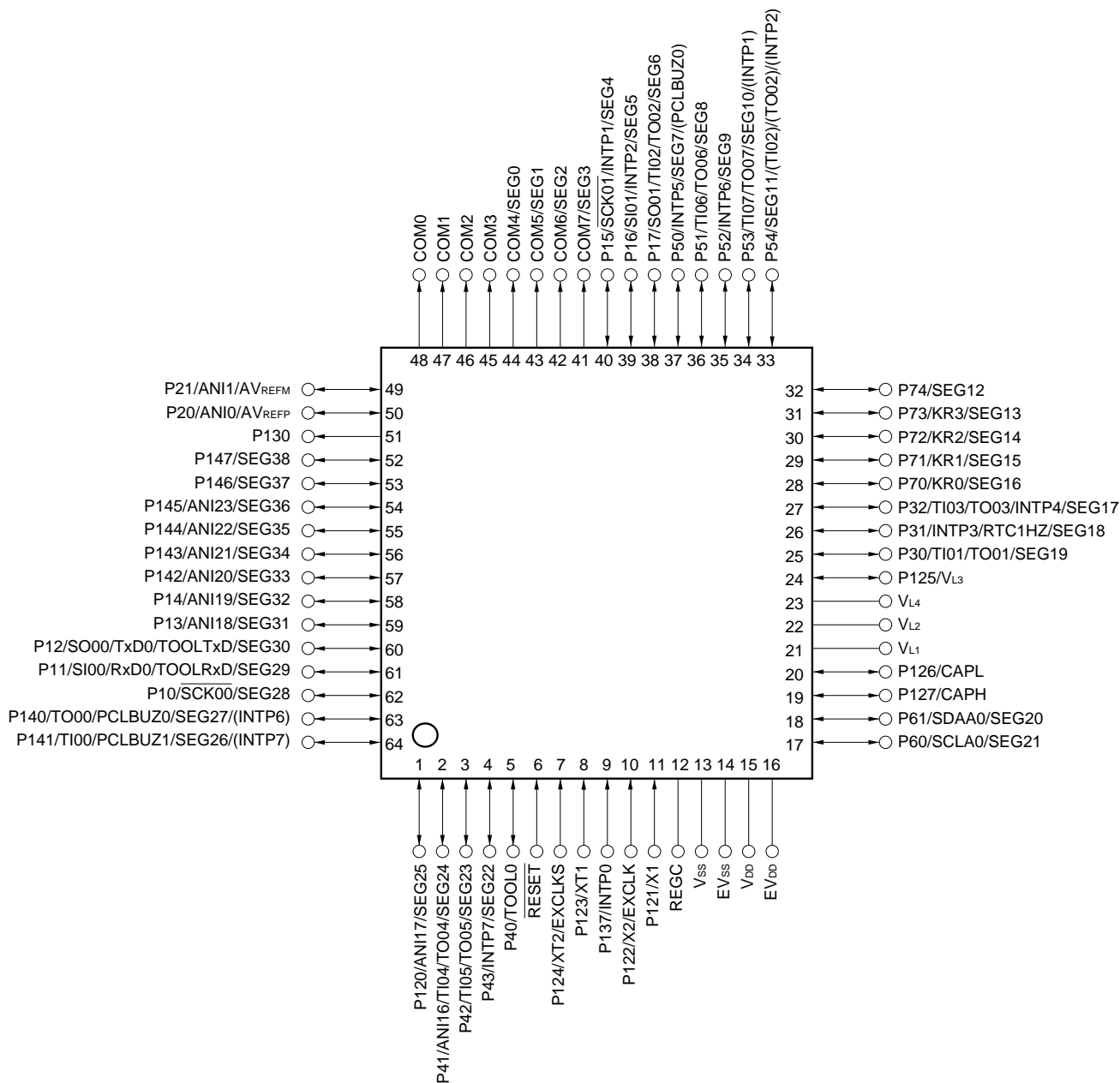
- <R> • 64-pin plastic WQFN (8 × 8)



- Cautions**
1. Make EV_{SS} pin the same potential as V_{SS} pin.
 2. Make V_{DD} pin the same potential as EV_{DD} pin.
 3. Connect the REGC pin to V_{SS} via a capacitor (0.47 to 1 μF).

- Remarks**
1. For pin identification, see 1.4 Pin Identification.
 2. When using the microcontroller for an application where the noise generated inside the microcontroller must be reduced, it is recommended to supply separate powers to the V_{DD} and EV_{DD} pins and connect the V_{SS} and EV_{SS} pins to separate ground lines.
 3. Functions in parentheses in the above figure can be assigned via settings in the peripheral I/O redirection register (PIOR). Refer to **Figure 4-8 Format of Peripheral I/O Redirection Register (PIOR)**.

- <R> • 64-pin plastic LQFP (fine pitch) (10 × 10)
- <R> • 64-pin plastic LQFP (12 × 12)



- Cautions**
1. Make EV_{SS} pin the same potential as V_{SS} pin.
 2. Make V_{DD} pin the same potential as EV_{DD} pin.
 3. Connect the REGC pin to V_{SS} via a capacitor (0.47 to 1 μF).

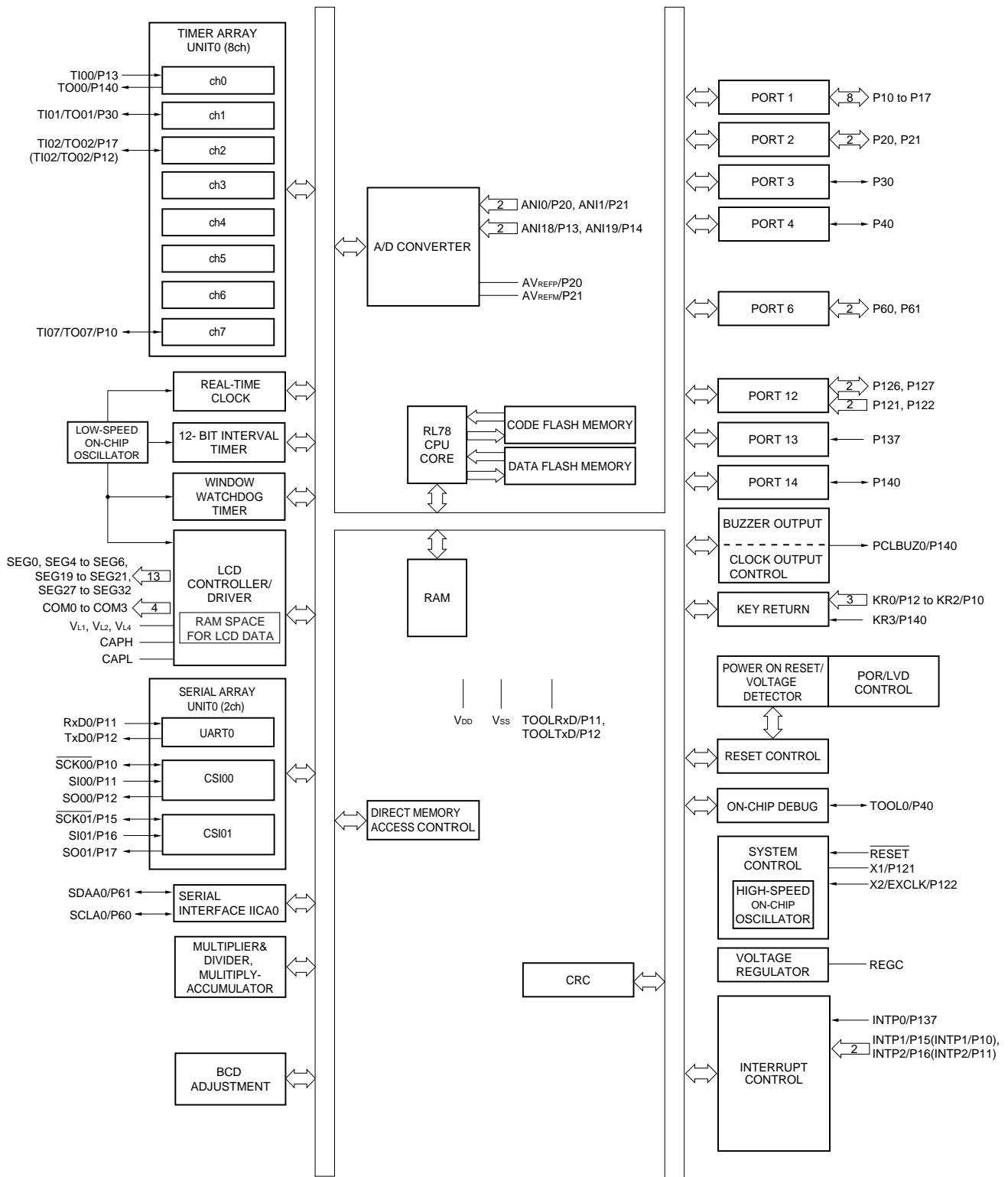
- Remarks**
1. For pin identification, see 1.4 Pin Identification.
 2. When using the microcontroller for an application where the noise generated inside the microcontroller must be reduced, it is recommended to supply separate powers to the V_{DD} and EV_{DD} pins and connect the V_{SS} and EV_{SS} pins to separate ground lines.
 3. Functions in parentheses in the above figure can be assigned via settings in the peripheral I/O redirection register (PIOR). Refer to Figure 4-8 Format of Peripheral I/O Redirection Register (PIOR).

<R> 1.4 Pin Identification

ANI0, ANI1,		P130, P137:	Port 13
ANI16 to ANI23:	Analog Input	P140 to P147:	Port 14
AVREFM:	Analog Reference Voltage Minus	PCLBUZ0, PCLBUZ1:	Programmable Clock Output/Buzzer Output
AVREFP:	Analog Reference Voltage Plus	REGC:	Regulator Capacitance
CAPH, CAPL:	Capacitor for LCD	RESET:	Reset
COM0 to COM7,		RTC1HZ:	Real-time Clock Correction Clock (1 Hz) Output
EVDD:	Power Supply for Port	RxD0:	Receive Data
EVSS:	Ground for Port	SCK00, SCK01:	Serial Clock Input/Output
EXCLK:	External Clock Input (Main System Clock)	SCLA0:	Serial Clock Input/Output
EXCLKS:	External Clock Input (Subsystem Clock)	SDAA0:	Serial Data Input/Output
INTP0 to INTP7:	Interrupt Request From Peripheral	SEG0 to SEG38:	LCD Segment Output
KR0 to KR3:	Key Return	SI00, SI01:	Serial Data Input
P10 to P17:	Port 1	SO00, SO01:	Serial Data Output
P20, P21:	Port 2	TI00 to TI07:	Timer Input
P30 to P32:	Port 3	TO00 to TO07:	Timer Output
P40 to P43:	Port 4	TOOL0:	Data Input/Output for Tool
P50 to P54:	Port 5	TOOLRxD, TOOLTxD:	Data Input/Output for External Device
P60, P61:	Port 6	TxD0:	Transmit Data
P70 to P74:	Port 7	VDD:	Power Supply
P120 to P127:	Port 12	VL1 to VL4:	LCD Power Supply
		VSS:	Ground
		X1, X2:	Crystal Oscillator (Main System Clock)
		XT1, XT2:	Crystal Oscillator (Subsystem Clock)

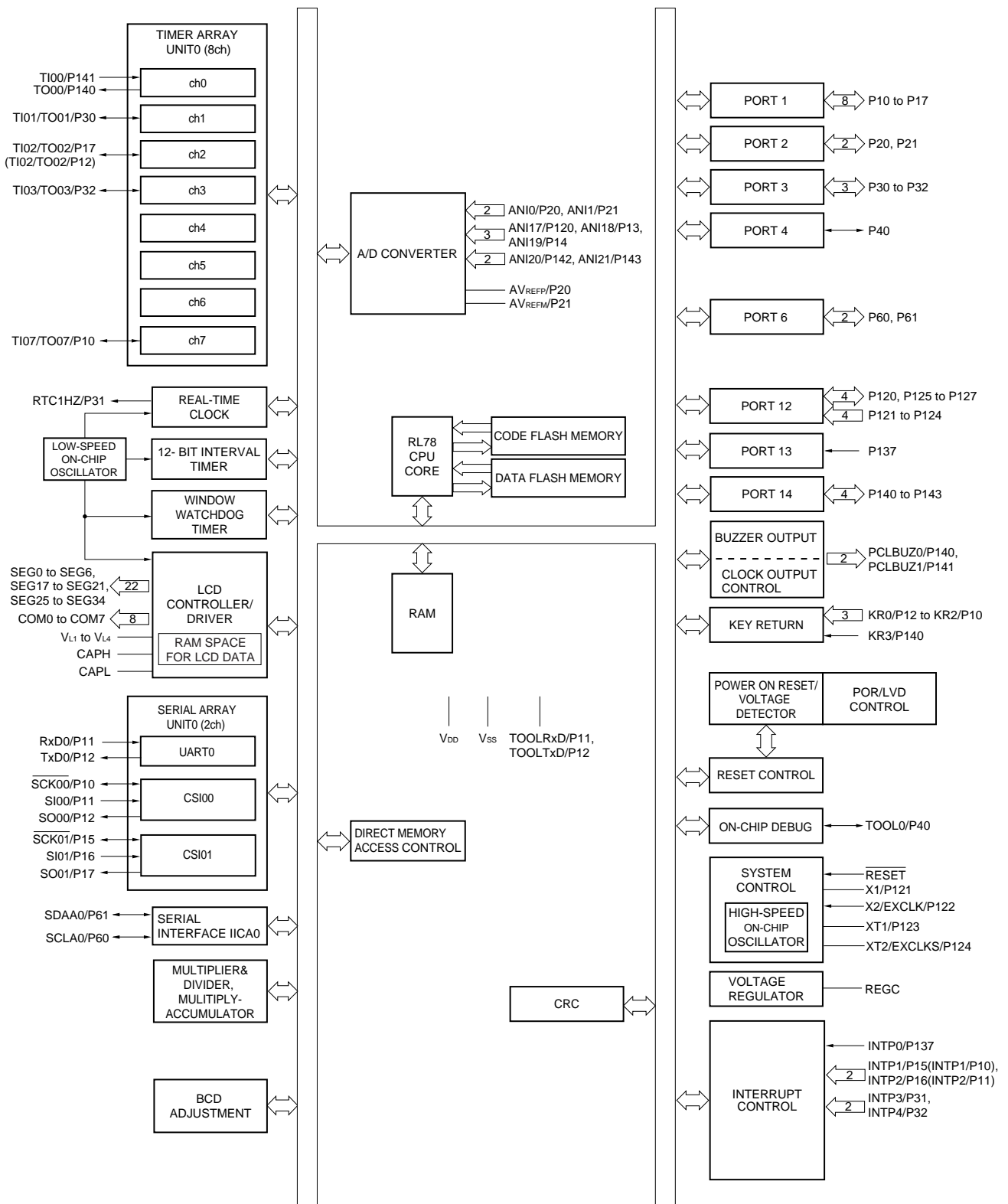
1.5 Block Diagram

<R> 1.5.1 32-pin products



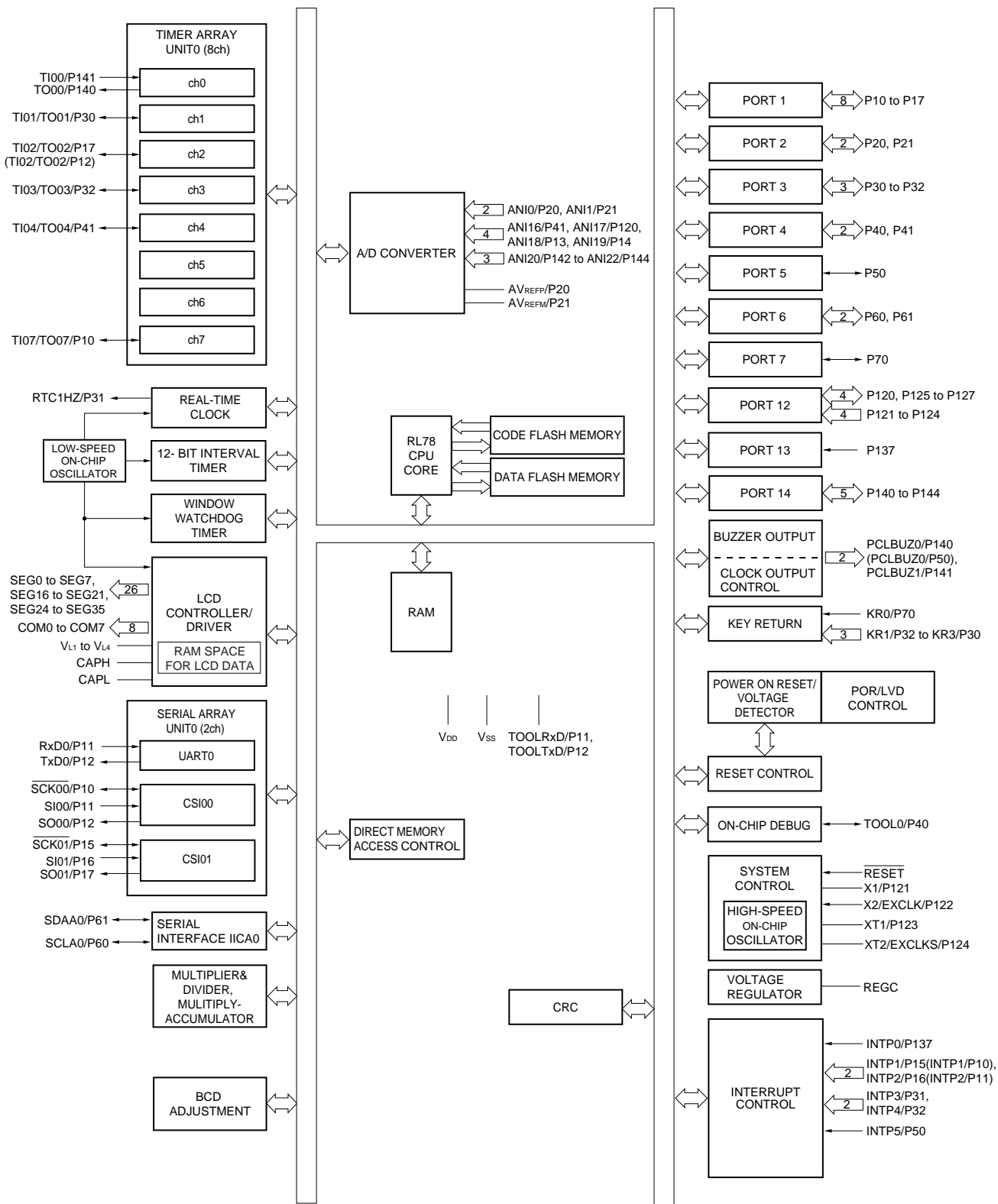
Remark Functions in parentheses in the above figure can be assigned via settings in the peripheral I/O redirection register (PIOR)

<R> 1.5.2 44-pin products



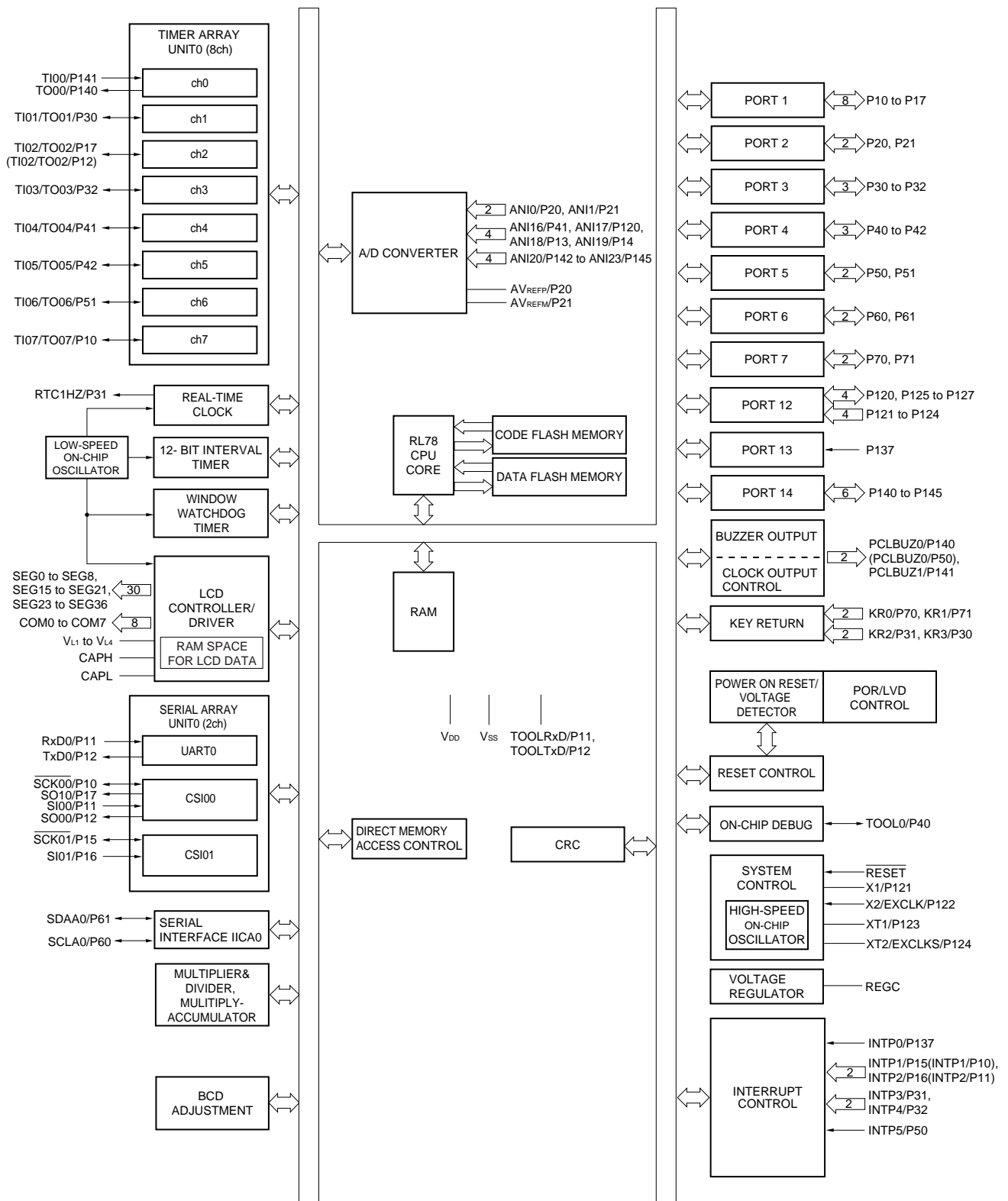
Remark Functions in parentheses in the above figure can be assigned via settings in the peripheral I/O redirection register (PIOR)

<R> 1.5.3 48-pin products



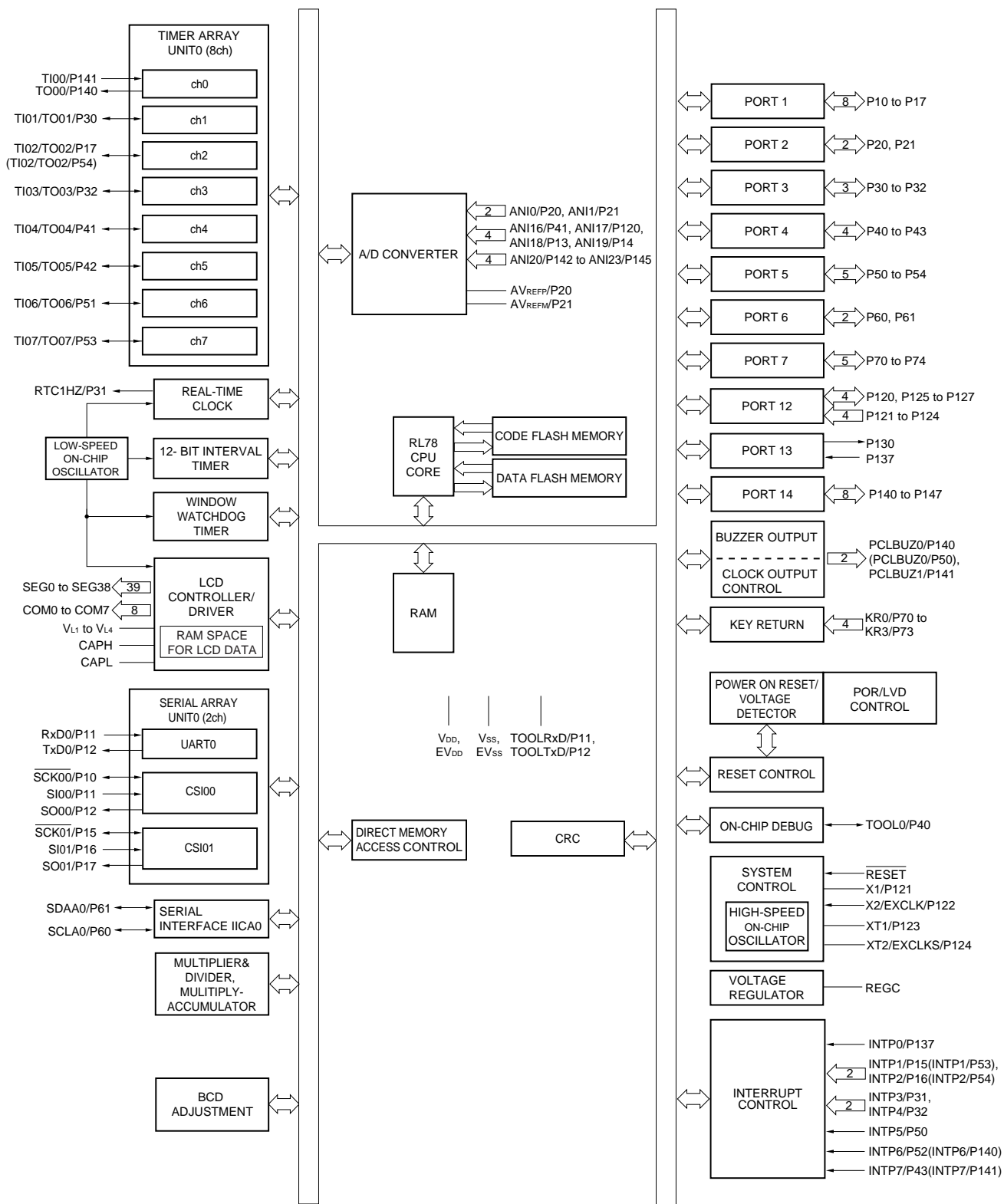
Remark Functions in parentheses in the above figure can be assigned via settings in the peripheral I/O redirection register (PIOR)

<R> 1.5.4 52-pin products



Remark Functions in parentheses in the above figure can be assigned via settings in the peripheral I/O redirection register (PIOR)

<R> 1.5.5 64-pin products



Remark Functions in parentheses in the above figure can be assigned via settings in the peripheral I/O redirection register (PIOR)

1.6 Outline of Functions

Caution This outline describes the functions at the time when Peripheral I/O redirection register (PIOR) is set to 00H.

(1/2)

Item		32-pin	44-pin	48-pin	52-pin	64-pin
		R5F10RBx	R5F10RFx	R5F10RGx	R5F10RJx	R5F10RLx
Code flash memory (KB)		8 to 32	8 to 32	8 to 32	8 to 32	16, 32
Data flash memory (KB)		2	2	2	2	2
RAM (KB)		1, 1.5 ^{Note 1}	1, 1.5 ^{Note 1}	1, 1.5 ^{Note 1}	1, 1.5 ^{Note 1}	1, 1.5 ^{Note 1}
Memory space		1 MB				
Main system clock	High-speed system clock	X1 (crystal/ceramic) oscillation, external main system clock input (EXCLK) 1 to 20 MHz: V _{DD} = 2.7 to 5.5 V, 1 to 8 MHz: V _{DD} = 1.8 to 2.7 V, 1 to 4 MHz: V _{DD} = 1.6 to 1.8 V				
	High-speed on-chip oscillator clock	HS (high-speed main) operation: 1 to 24 MHz (V _{DD} = 2.7 to 5.5 V), HS (high-speed main) operation: 1 to 16 MHz (V _{DD} = 2.4 to 5.5 V), LS (low-speed main) operation: 1 to 8 MHz (V _{DD} = 1.8 to 5.5 V), LV (low-voltage main) operation: 1 to 4 MHz (V _{DD} = 1.6 to 5.5 V)				
Subsystem clock		–	XT1 (crystal) oscillation, external subsystem clock input (EXCLKS) 32.768 kHz (TYP.): V _{DD} = 1.6 to 5.5 V			
Low-speed on-chip oscillator clock		Internal oscillation 15 kHz (TYP.): V _{DD} = 1.6 to 5.5 V				
General-purpose register		8 bits × 32 registers (8 bits × 8 registers × 4 banks)				
Minimum instruction execution time		0.04167 μs (High-speed on-chip oscillator clock: f _{IH} = 24 MHz operation)				
		0.05 μs (High-speed system clock: f _{MX} = 20 MHz operation)				
		30.5 μs (Subsystem clock: f _{SUB} = 32.768 kHz operation)				
Instruction set		<ul style="list-style-type: none"> • Data transfer (8/16 bits) • Adder and subtractor/logical operation (8/16 bits) • Multiplication (8 bits × 8 bits) • Rotate, barrel shift, and bit manipulation (Set, reset, test, and Boolean operation), etc. 				
Total number of I/O port pins and pins dedicated to drive an LCD		28	40	44	48	58
I/O port	Total	20	29	33	37	47
	CMOS I/O	15	22	26	30	39
	CMOS input	3	5	5	5	5
	CMOS output	–	–	–	–	1
	N-ch open-drain I/O (E _{VDD} tolerance)	2	2	2	2	2
Pins dedicated to drive an LCD		8	11	11	11	11
LCD controller/driver		Internal voltage boosting method, capacitor split method, and external resistance division method are switchable.				
Segment signal output		13	22 (18) ^{Note 2}	26 (22) ^{Note 2}	30 (26) ^{Note 2}	39 (35) ^{Note 2}
Common signal output		4	4 (8) ^{Note 2}			

Notes 1. In the case of the 1 KB, and 1.5 KB, this is 630 bytes when the self-programming function and data flash function is used. (For details, see CHAPTER 3 CPU ARCHITECTURE)

2. The values in parentheses are the number of signal outputs when 8 com is used.

(2/2)

<R>

Item		32-pin	44-pin	48-pin	52-pin	64-pin
		R5F10RBx	R5F10RFx	R5F10RGx	R5F10RJx	R5F10RLx
Timer	16-bit timer	8 channels	8 channels (with 1 channel remote control output function)			
	Watchdog timer	1 channel				
	Real-time clock (RTC)	1 channel				
	12-bit interval timer (IT)	1 channel				
	Timer output	4 channels (PWM outputs: 3 ^{Note 1})	5 channels (PWM outputs: 4 ^{Note 1})	6 channels (PWM outputs: 5 ^{Note 1})	8 channels (PWM outputs: 7 ^{Note 1})	
	RTC output	–	1 • 1 Hz (subsystem clock: f _{SUB} = 32.768 kHz or)			
Clock output/buzzer output		1	2 • 2.44 kHz, 4.88 kHz, 9.76 kHz, 1.25 MHz, 2.5 MHz, 5 MHz, 10 MHz (Main system clock: f _{MAIN} = 20 MHz operation) • 256 Hz, 512 Hz, 1.024 kHz, 2.048 kHz, 4.096 kHz, 8.192 kHz, 16.384 kHz, 32.768 kHz (Subsystem clock: f _{SUB} = 32.768 kHz operation)			
8/10-bit resolution A/D converter		4 channels	7 channels	9 channels	10 channels	10 channels
Serial interface		• CSI: 2 channel/UART (LIN-bus supported): 1 channel				
	I ² C bus	1 channel	1 channel	1 channel	1 channel	1 channel
Multiplier and divider/multiply-accumulator		• 16 bits × 16 bits = 32 bits (Unsigned or signed) • 32 bits ÷ 32 bits = 32 bits (Unsigned) • 16 bits × 16 bits + 32 bits = 32 bits (Unsigned or signed)				
DMA controller		2 channels				
Vectored interrupt sources	Internal	23	23	23	23	23
	External	4	6	7	7	9
Key interrupt		4				
Reset		• Reset by RESET pin • Internal reset by watchdog timer • Internal reset by power-on-reset • Internal reset by voltage detector • Internal reset by illegal instruction execution ^{Note 2} • Internal reset by RAM parity error • Internal reset by illegal-memory access				
Power-on-reset circuit		• Power-on-reset: 1.51 ±0.04 V • Power-down-reset: 1.50 ±0.04 V				
Voltage detector		• Rising edge : 1.67 V to 4.06 V (14 stages) • Falling edge : 1.63 V to 3.98 V (14 stages)				
On-chip debug function		Provided				
Power supply voltage		V _{DD} = 1.6 to 5.5 V				
Operating ambient temperature		T _A = -40 to +85 °C				

- Notes**
- The number of PWM outputs varies depending on the setting of channels in use (the number of masters and slaves). **(6.9.3 Operation as multiple PWM output function)**
 - The illegal instruction is generated when instruction code FFH is executed.
Reset by the illegal instruction execution not issued by emulation with the in-circuit emulator or on-chip debug emulator.

CHAPTER 2 PIN FUNCTIONS

2.1 Port Function

Pin I/O buffer power supplies depend on the product. The relationship between these power supplies and the pins is shown below.

Table 2-1. Pin I/O Buffer Power Supplies

(1) 32-pin, 44-pin, 48-pin, 52-pin products

Power Supply	Corresponding Pins
V _{DD}	All pins

(2) 64-pin products

Power Supply	Corresponding Pins
EV _{DD}	<ul style="list-style-type: none"> • Port pins other than P20, P21, P121 to P124, and P137
V _{DD}	<ul style="list-style-type: none"> • P20, P21, P121 to P124, and P137 • $\overline{\text{RESET}}$, REGC pin

Set in each port I/O, buffer, pull-up resistor is also valid for alternate functions.

<R> 2.1.1 32-pin products

(1/2)

Function Name	Pin Type	I/O	After Reset	Alternate Function	Function	
P10	8-5-7	I/O	Digital input invalid	SCK00/TI07/TO07/ KR2/SEG28/ (INTP1)	Port 1. 8-bit I/O port. Input/output can be specified in 1-bit units. Use of an on-chip pull-up resistor can be specified by a software setting at input port. Input of P10, P11, P15, and P16 can be set to TTL input buffer. Output of P10, P12, P15, and P17 can be set to N-ch open-drain output (V_{DD} tolerance). P13 and P14 can be set to analog input ^{Note 1} .	
P11	8-5-1			SI00/RxD0/ TOOLRxD/KR1/ SEG29/(INTP2)		
P12	7-5-7			SO00/TxD0/ TOOLTxD/KR0/ SEG30/(TI02)/(TO02)		
P13	7-10-1			Analog input port		ANI18/TI00/SEG31
P14						ANI19/SEG32
P15	8-5-7			Digital input invalid		SCK01/INTP1/SEG4
P16	8-5-1					SI01/INTP2/SEG5
P17	7-5-7					SO01/TI02/TO02/ SEG6
P20	4-3-1	I/O	Analog input port	ANI0/AV _{REFP}	Port 2. 2-bit I/O port. Input/output can be specified in 1-bit units. Can be set to analog input ^{Note 2} .	
P21				ANI1/AV _{REFM}		
P30	7-5-1	I/O	Digital input invalid	TI01/TO01/SEG19	Port 3. 1-bit I/O port. Input/output can be specified in 1-bit units. Use of an on-chip pull-up resistor can be specified by a software setting at input port.	
P40	7-1-1	I/O	Input port	TOOL0	Port 4. 1-bit I/O port. Input/output can be specified in 1-bit units. Use of an on-chip pull-up resistor can be specified by a software setting at input port.	

Notes 1. When the each pin is used as input, specify them as either digital or analog in Port mode control register X (PMCX) (This register can be specified in 1-bit unit).

2. Setting digital or analog to each pin can be done in A/D port configuration register (ADPC).

Remark Functions in parentheses in the above figure can be assigned via settings in the peripheral I/O redirection register (PIOR). Refer to **Figure 4-8 Format of Peripheral I/O Redirection Register (PIOR)**.

(2/2)

<R>	Function Name	Pin Type	I/O	After Reset	Alternate Function	Function
	P60	12-1-4	I/O	Digital input invalid	SCLA0/SEG21	Port 6. 2-bit I/O port. Input/output can be specified in 1-bit units.
	P61				SDAA0/SEG20	
	P121	2-2-1	Input	Input port	X1	Port 12. 2-bit I/O port and 2-bit input port. For P126 and P127, input/output can be specified in 1-bit units.
	P122				X2/EXCLK	
	P126	8-5-2	I/O	Digital input invalid	CAPL	For P126 and P127, use of an on-chip pull-up resistor can be specified by a software setting at input port.
	P127				CAPH	
	P137	2-1-2	Input	Input port	INTP0	Port 13. 1-bit input port.
	P140	7-5-1	I/O	Digital input invalid	TO00/PCLBUZ0/ KR3/SEG27	Port 14. 1-bit I/O port. Input/output can be specified in 1-bit units. Use of an on-chip pull-up resistor can be specified by a software setting at input port.

2.1.2 44-pin products

(1/2)

Function Name	Pin Type	I/O	After Reset	Alternate Function	Function
P10	8-5-7	I/O	Digital input invalid	SCK00/TI07/TO07/ KR2/SEG28/ (INTP1)	Port 1. 8-bit I/O port. Input/output can be specified in 1-bit units. Use of an on-chip pull-up resistor can be specified by a software setting at input port. Input of P10, P11, P15, and P16 can be set to TTL input buffer. Output of P10, P12, P15, and P17 can be set to N-ch open-drain output (V _{DD} tolerance). P13 and P14 can be set to analog input Note 1 .
P11	8-5-1			SI00/RxD0/TOOLRx/D/ KR1/SEG29/ (INTP2)	
P12	7-5-7			SO00/TxD0/ TOOLTxD/KR0/ SEG30/ (TI02)/(TO02)	
P13	7-10-1		Analog input port	ANI18/SEG31	
P14				ANI19/SEG32	
P15	8-5-7		Digital input invalid	SCK01/INTP1/SEG4	
P16	8-5-1			SI01/INTP2/SEG5	
P17	7-5-7			SO01/TI02/TO02/SEG6	
P20	4-3-1	I/O	Analog input port	ANI0/AV _{REFP}	Port 2. 2-bit I/O port. Input/output can be specified in 1-bit units. Can be set to analog input Note 2 .
P21				ANI1/AV _{REFM}	
P30	7-5-1	I/O	Digital input invalid	TI01/TO01/SEG19	Port 3. 3-bit I/O port. Input/output can be specified in 1-bit units. Use of an on-chip pull-up resistor can be specified by a software setting at input port.
P31				INTP3/RTC1HZ/ SEG18	
P32				TI03/TO03/INTP4/ SEG17	
P40	7-1-1	I/O	Input port	TOOL0	Port 4. 1-bit I/O port. Input/output can be specified in 1-bit units. Use of an on-chip pull-up resistor can be specified by a software setting at input port.

- Notes**
1. When the each pin is used as input, specify them as either digital or analog in Port mode control register X (PMCX) (This register can be specified in 1-bit unit).
 2. Setting digital or analog to each pin can be done in A/D port configuration register (ADPC).

Remark Functions in parentheses in the above figure can be assigned via settings in the peripheral I/O redirection register (PIOR). Refer to **Figure 4-8 Format of Peripheral I/O Redirection Register (PIOR)**.

(2/2)

<R>	Function Name	Pin Type	I/O	After Reset	Alternate Function	Function																																																									
	P60	12-1-4	I/O	Digital input invalid	SCLA0/SEG21	Port 6. 2-bit I/O port. Input/output can be specified in 1-bit units.																																																									
	P61				SDAA0/SEG20			P120	7-10-1	I/O	Analog input port	ANI17/SEG25	Port 12. 4-bit I/O port and 4-bit input port. For P120 and P125 to P127, input/output can be specified in 1-bit units. For P120 and P125 to P127, use of an on-chip pull-up resistor can be specified by a software setting at input port. P120 can be set to analog input ^{Note} .		P121	2-2-1	Input	Input port	X1		P122	X2/EXCLK		P123	XT1		P124	XT2/EXCLKS		P125	8-5-3	I/O	Digital input invalid	V _{L3}		P126	8-5-2	CAPL		P127	CAPH		P137	2-1-2	Input	Input port	INTP0	Port 13. 1-bit input port.		P140	7-5-1	I/O	Digital input invalid	TO00/PCLBUZ0/ KR3/SEG27	Port 14. 4-bit I/O port. Input/output can be specified in 1-bit units. Use of an on-chip pull-up resistor can be specified by a software setting at input port. P142 and P143 can be set to analog input ^{Note} .		P141	TI00/PCLBUZ1/ SEG26		P142	7-10-1	I/O	Analog input port
	P120	7-10-1	I/O	Analog input port	ANI17/SEG25	Port 12. 4-bit I/O port and 4-bit input port. For P120 and P125 to P127, input/output can be specified in 1-bit units. For P120 and P125 to P127, use of an on-chip pull-up resistor can be specified by a software setting at input port. P120 can be set to analog input ^{Note} .																																																									
	P121	2-2-1	Input	Input port	X1																																																										
	P122				X2/EXCLK																																																										
	P123				XT1																																																										
	P124				XT2/EXCLKS																																																										
	P125	8-5-3	I/O	Digital input invalid	V _{L3}																																																										
	P126	8-5-2			CAPL																																																										
	P127				CAPH																																																										
	P137	2-1-2	Input	Input port	INTP0	Port 13. 1-bit input port.																																																									
	P140	7-5-1	I/O	Digital input invalid	TO00/PCLBUZ0/ KR3/SEG27	Port 14. 4-bit I/O port. Input/output can be specified in 1-bit units. Use of an on-chip pull-up resistor can be specified by a software setting at input port. P142 and P143 can be set to analog input ^{Note} .																																																									
	P141				TI00/PCLBUZ1/ SEG26																																																										
	P142	7-10-1	I/O	Analog input port	ANI20/SEG33																																																										
	P143				ANI21/SEG34																																																										

Note When the each pin is used as input, specify them as either digital or analog in Port mode control register X (PMCX) (This register can be specified in 1-bit unit).

2.1.3 48-pin products

(1/2)

Function Name	Pin Type	I/O	After Reset	Alternate Function	Function
P10	8-5-7	I/O	Digital input invalid	SCK00/TI07/TO07/ SEG28/ (INTP1)	Port 1. 8-bit I/O port. Input/output can be specified in 1-bit units. Use of an on-chip pull-up resistor can be specified by a software setting at input port. Input of P10, P11, P15, and P16 can be set to TTL input buffer. Output of P10, P12, P15, and P17 can be set to N-ch open-drain output (V_{DD} tolerance). P13 and P14 can be set to analog input ^{Note 1} .
P11	8-5-1			SI00/RxD0/ TOOLRxD/SEG29/ (INTP2)	
P12	7-5-7			SO00/TxD0/ TOOLTxD/SEG30/ (TI02)/(TO02)	
P13	7-10-1			Analog input port	
P14			ANI19/SEG32		
P15	8-5-7		Digital input invalid	SCK01/INTP1/SEG4	
P16	8-5-1			SI01/INTP2/SEG5	
P17	7-5-7			SO01/TI02/TO02/SEG6	
P20	4-3-1	I/O	Analog input port	ANI0/AV _{REFP}	Port 2. 2-bit I/O port. Input/output can be specified in 1-bit units. Can be set to analog input ^{Note 2} .
P21				ANI1/AV _{REFM}	
P30	7-5-1	I/O	Digital input invalid	TI01/TO01/KR3/ SEG19	Port 3. 3-bit I/O port. Input/output can be specified in 1-bit units. Use of an on-chip pull-up resistor can be specified by a software setting at input port.
P31				INTP3/RTC1HZ/ KR2/SEG18	
P32				TI03/TO03/INTP4/ KR1/SEG17	
P40	7-1-1	I/O	Input port	TOOL0	Port 4. 2-bit I/O port. Input/output can be specified in 1-bit units. Use of an on-chip pull-up resistor can be specified by a software setting at input port. P41 can be set to analog input ^{Note 1} .
P41	7-10-1		Analog input port	ANI16/TI04/TO04/ SEG24	

Notes 1. When the each pin is used as input, specify them as either digital or analog in Port mode control register X (PMCX) (This register can be specified in 1-bit unit).

2. Setting digital or analog to each pin can be done in A/D port configuration register (ADPC).

Remark Functions in parentheses in the above figure can be assigned via settings in the peripheral I/O redirection register (PIOR). Refer to **Figure 4-8 Format of Peripheral I/O Redirection Register (PIOR)**.

(2/2)

<R>	Function Name	Pin Type	I/O	After Reset	Alternate Function	Function
	P50	7-5-1	I/O	Digital input invalid	INTP5/SEG7/ (PCLBUZ0)	Port 5. 1-bit I/O port. Input/output can be specified in 1-bit units. Use of an on-chip pull-up resistor can be specified by a software setting at input port.
	P60	12-1-4	I/O	Digital input invalid	SCLA0/SEG21	Port 6. 2-bit I/O port. Input/output can be specified in 1-bit units.
	P61				SDAA0/SEG20	
	P70	7-5-1	I/O	Digital input invalid	KR0/SEG16	Port 7. 1-bit I/O port. Input/output can be specified in 1-bit units. Use of an on-chip pull-up resistor can be specified by a software setting at input port.
	P120	7-10-1	I/O	Analog input port	ANI17/SEG25	Port 12. 4-bit I/O port and 4-bit input port. For P120 and P125 to P127, input/output can be specified in 1-bit units. For P120 and P125 to P127, use of an on-chip pull-up resistor can be specified by a software setting at input port. P120 can be set to analog input ^{Note} .
	P121	2-2-1	Input	Input port	X1	
	P122				X2/EXCLK	
	P123				XT1	
	P124				XT2/EXCLKS	
	P125	8-5-3	I/O	Digital input invalid	V _{L3}	
	P126	8-5-2			CAPL	
	P127				CAPH	
	P137	2-1-2	Input	Input port	INTP0	Port 13. 1-bit input port.
	P140	7-5-1	I/O	Digital input invalid	TO00/PCLBUZ0/ SEG27	Port 14. 5-bit I/O port. Input/output can be specified in 1-bit units. Use of an on-chip pull-up resistor can be specified by a software setting at input port.
	P141				TI00/PCLBUZ1/ SEG26	
	P142	7-10-1	I/O	Analog input port	ANI20/SEG33	P142 to p144 can be set to analog input ^{Note} .
	P143				ANI21/SEG34	
	P144				ANI22/SEG35	

Note When the each pin is used as input, specify them as either digital or analog in Port mode control register X (PMCX) (This register can be specified in 1-bit unit).

Remark Functions in parentheses in the above figure can be assigned via settings in the peripheral I/O redirection register (PIOR). Refer to **Figure 4-8 Format of Peripheral I/O Redirection Register (PIOR)**.

2.1.4 52-pin products

(1/2)

Function Name	Pin Type	I/O	After Reset	Alternate Function	Function
P10	8-5-7	I/O	Digital input invalid	SCK00/ TI07/TO07/SEG28/ (INTP1)	Port 1. 8-bit I/O port. Input/output can be specified in 1-bit units. Use of an on-chip pull-up resistor can be specified by a software setting at input port. Input of P10, P11, P15, and P16 can be set to TTL input buffer. Output of P10, P12, P15, and P17 can be set to N-ch open-drain output (V _{DD} tolerance). P13 and P14 can be set to analog input Note 1 .
P11	8-5-1			SI00/RxD0/ TOOLRxD/SEG29/ (INTP2)	
P12	7-5-7			SO00/TxD0/ TOOLTxD/SEG30/ (TI02)/(TO02)	
P13	7-10-1		Analog input port	ANI18/SEG31	
P14				ANI19/SEG32	
P15	8-5-7		Digital input invalid	SCK01/INTP1/SEG4	
P16	8-5-1			SI01/INTP2/SEG5	
P17	7-5-7			SO01/TI02/TO02/ SEG6	
P20	4-3-1	I/O	Analog input port	ANI0/AV _{REFP}	Port 2. 2-bit I/O port. Input/output can be specified in 1-bit units. Can be set to analog input Note 2 .
P21				ANI1/AV _{REFM}	
P30	7-5-1	I/O	Digital input invalid	TI01/TO01/KR3/ SEG19	Port 3. 3-bit I/O port. Input/output can be specified in 1-bit units. Use of an on-chip pull-up resistor can be specified by a software setting at input port.
P31				INTP3/RTC1HZ/ KR2/SEG18	
P32				TI03/TO03/INTP4/ SEG17	
P40	7-1-1	I/O	Input port	TOOL0	Port 4. 3-bit I/O port. Input/output can be specified in 1-bit units. Use of an on-chip pull-up resistor can be specified by a software setting at input port. P41 can be set to analog input Note 1 .
P41	7-10-1		Analog input port	ANI16/TI04/TO04/ SEG24	
P42	7-5-1		Digital input invalid	TI05/TO05/SEG23	

- Notes**
- When the each pin is used as input, specify them as either digital or analog in Port mode control register X (PMCX) (This register can be specified in 1-bit unit).
 - Setting digital or analog to each pin can be done in A/D port configuration register (ADPC).

Remark Functions in parentheses in the above figure can be assigned via settings in the peripheral I/O redirection register (PIOR). Refer to **Figure 4-8 Format of Peripheral I/O Redirection Register (PIOR)**.

(2/2)

Function Name	Pin Type	I/O	After Reset	Alternate Function	Function
P50	7-5-1	I/O	Digital input invalid	INTP5/SEG7/ (PCLBUZ0)	Port 5. 2-bit I/O port. Input/output can be specified in 1-bit units. Use of an on-chip pull-up resistor can be specified by a software setting at input port.
P51				TI06/TO06/SEG8	
P60	12-1-4	I/O	Digital input invalid	SCLA0/SEG21	Port 6. 2-bit I/O port. Input/output can be specified in 1-bit units.
P61				SDA00/SEG20	
P70	7-5-1	I/O	Digital input invalid	KR0/SEG16	Port 7. 2-bit I/O port. Input/output can be specified in 1-bit units. Use of an on-chip pull-up resistor can be specified by a software setting at input port.
P71				KR1/SEG15	
P120	7-10-1	I/O	Analog input port	ANI17/SEG25	Port 12. 4-bit I/O port and 4-bit input port. For P120 and P125 to P127, input/output can be specified in 1-bit units. For P120 and P125 to P127, use of an on-chip pull-up resistor can be specified by a software setting at input port. P120 can be set to analog input ^{Note} .
P121	2-2-1	Input	Input port	X1	
P122				X2/EXCLK	
P123				XT1	
P124				XT2/EXCLKS	
P125	8-5-3	I/O	Digital input invalid	V _{L3}	
P126	8-5-2			CAPL	
P127				CAPH	
P137	2-1-2	Input	Input port	INTP0	Port 13. 1-bit input port.
P140	7-5-1	I/O	Digital input invalid	TO00/PCLBUZ0/ SEG27	Port 14. 6-bit I/O port. Input/output can be specified in 1-bit units. Use of an on-chip pull-up resistor can be specified by a software setting at input port.
P141				TI00/PCLBUZ1/ SEG26	
P142	7-10-1	I/O	Analog input port	ANI20/SEG33	P142 to P145 can be set to analog input ^{Note} .
P143				ANI21/SEG34	
P144				ANI22/SEG35	
P145				ANI23/SEG36	

Note When the each pin is used as input, specify them as either digital or analog in Port mode control register X (PMCX) (This register can be specified in 1-bit unit).

Remark Functions in parentheses in the above figure can be assigned via settings in the peripheral I/O redirection register (PIOR). Refer to **Figure 4-8 Format of Peripheral I/O Redirection Register (PIOR)**.

2.1.5 64-pin products

(1/2)

<R>	Function Name	Pin Type	I/O	After Reset	Alternate Function	Function
P10	8-5-7	I/O	Digital input invalid	SCK00/SEG28	Port 1. 8-bit I/O port. Input/output can be specified in 1-bit units. Use of an on-chip pull-up resistor can be specified by a software setting at input port. Input of P10, P11, P15, and P16 can be set to TTL input buffer. Output of P10, P12, P15, and P17 can be set to N-ch open-drain output (EV _{DD} tolerance). P13 and P14 can be set to analog input Note 1 .	
P11	8-5-1			SI00/RxD0/ TOOLRxD/SEG29		
P12	7-5-7			SO00/TxD0/ TOOLTxD/SEG30		
P13	7-10-1		Analog input port	ANI18/SEG31		
P14				ANI19/SEG32		
P15	8-5-7		Digital input invalid	SCK01/INTP1/ SEG4		
P16	8-5-1			SI01/INTP2/SEG5		
P17	7-5-7	SO01/TI02/TO02/ SEG6				
P20	4-3-1	I/O	Analog input port	ANI0/AV _{REFP}	Port 2. 2-bit I/O port. Input/output can be specified in 1-bit units. Can be set to analog input Note 2 .	
P21				ANI1/AV _{REFM}		
P30	7-5-1	I/O	Digital input invalid	TI01/TO01/SEG19	Port 3. 3-bit I/O port. Input/output can be specified in 1-bit units. Use of an on-chip pull-up resistor can be specified by a software setting at input port.	
P31				INTP3/RTC1HZ/ SEG18		
P32				TI03/TO03/INTP4/ SEG17		
P40	7-1-1	I/O	Input port	TOOL0	Port 4. 4-bit I/O port. Input/output can be specified in 1-bit units. Use of an on-chip pull-up resistor can be specified by a software setting at input port. P41 can be set to analog input Note 1 .	
P41	7-10-1		Analog input port	ANI16/TI04/TO04/ SEG24		
P42	7-5-1		Digital input invalid	TI05/TO05/SEG23		
P43				INTP7/SEG22		

Notes 1. When the each pin is used as input, specify them as either digital or analog in Port mode control register X (PMCX) (This register can be specified in 1-bit unit).

2. Setting digital or analog to each pin can be done in A/D port configuration register (ADPC).

(2/2)

<R>	Function Name	Pin Type	I/O	After Reset	Alternate Function	Function	
	P50	7-5-1	I/O	Digital input invalid	INTP5/SEG7/ (PCLBUZ0)	Port 5. 5-bit I/O port. Input/output can be specified in 1-bit units. Use of an on-chip pull-up resistor can be specified by a software setting at input port.	
	P51				TI06/TO06/ SEG8		
	P52				INTP6/SEG9		
	P53				TI07/TO07/SEG10/ (INTP1)		
	P54				SEG11/(TI02)/ (TO02)/(INTP2)		
	P60	12-1-4	I/O	Digital input invalid	SCLA0/SEG21	Port 6. 2-bit I/O port. Input/output can be specified in 1-bit units.	
	P61				SDAA0/SEG20		
	P70	7-5-1	I/O	Digital input invalid	KR0/SEG16	Port 7. 5-bit I/O port. Input/output can be specified in 1-bit units. Use of an on-chip pull-up resistor can be specified by a software setting at input port.	
	P71				KR1/SEG15		
	P72				KR2/SEG14		
	P73				KR3/SEG13		
	P74				SEG12		
	P120	7-10-1	I/O	Analog input port	ANI17/SEG25	Port 12. 4-bit I/O port and 4-bit input port. For P120 and P125 to P127, input/output can be specified in 1-bit units. For P120 and P125 to P127, use of an on-chip pull-up resistor can be specified by a software setting at input port. P120 can be set to analog input ^{Note} .	
	P121	2-2-1	Input	Input port	X1		
	P122				X2/EXCLK		
	P123				XT1		
	P124				XT2/EXCLKS		
	P125	8-5-3	I/O	Digital input invalid	V _{L3}		
	P126	8-5-2			CAPL		
	P127				CAPH		
	P130	1-1-1	Output	Output port	–		Port 13. 1-bit output port and 1-bit input port.
	P137	2-1-2	Input	Input port	INTP0		
	P140	7-5-1	I/O	Digital input invalid	TO00/PCLBUZ0/ SEG27/(INTP6)	Port 14. 8-bit I/O port. Input/output can be specified in 1-bit units. Use of an on-chip pull-up resistor can be specified by a software setting at input port. P142 to P145 can be set to analog input ^{Note} .	
	P141				TI00/PCLBUZ1/ SEG26/(INTP7)		
	P142	7-10-1	Analog input port	Analog input port	ANI20/SEG33		
	P143				ANI21/SEG34		
	P144				ANI22/SEG35		
	P145				ANI23/SEG36		
	P146	7-5-1	I/O	Digital input invalid	SEG37		
	P147				SEG38		

Note When the each pin is used as input, specify them as either digital or analog in Port mode control register X (PMCX) (This register can be specified in 1-bit unit).

Remark Functions in parentheses in the above figure can be assigned via settings in the peripheral I/O redirection register (PIOR). Refer to **Figure 4-8 Format of Peripheral I/O Redirection Register (PIOR)**.

2.2 Functions Other Than Port Pins

2.2.1 Pins for each product (pins other than port pins)

(1/5)

Function Name	I/O	Function	64-pin	52-pin	48-pin	44-pin	32-pin
ANI0	Input	A/D converter analog input	√	√	√	√	√
ANI1			√	√	√	√	√
ANI16			√	√	√	–	–
ANI17			√	√	√	√	–
ANI18			√	√	√	√	√
ANI19			√	√	√	√	√
ANI20			√	√	√	√	–
ANI21			√	√	√	√	–
ANI22			√	√	√	–	–
ANI23			√	√	–	–	–
CAPH			–	Connecting a capacitor for LCD controller/driver	√	√	√
CAPL	√	√			√	√	√
COM0	Output	LCD controller/driver common signal outputs	√	√	√	√	√
COM1			√	√	√	√	√
COM2			√	√	√	√	√
COM3			√	√	√	√	√
COM4			√	√	√	√	–
COM5			√	√	√	√	–
COM6			√	√	√	√	–
COM7			√	√	√	√	–
V _{L1}	–	LCD drive voltage	√	√	√	√	√
V _{L2}			√	√	√	√	√
V _{L3}			√	√	√	√	–
V _{L4}			√	√	√	√	√
SEG0	Output	LCD controller/driver segment signal outputs	√	√	√	√	√
SEG1			√	√	√	√	–
SEG2			√	√	√	√	–
SEG3			√	√	√	√	–
SEG4			√	√	√	√	√
SEG5			√	√	√	√	√
SEG6			√	√	√	√	√
SEG7			√	√	√	–	–
SEG8			√	√	–	–	–
SEG9			√	–	–	–	–

Remark √: Mounted
 –: Not mounted

(2/5)

Function Name	I/O	Function	64-pin	52-pin	48-pin	44-pin	32-pin
SEG10	Output	LCD controller/driver segment signal outputs	√	–	–	–	–
SEG11			√	–	–	–	–
SEG12			√	–	–	–	–
SEG13			√	–	–	–	–
SEG14			√	–	–	–	–
SEG15			√	√	–	–	–
SEG16			√	√	√	–	–
SEG17			√	√	√	√	–
SEG18			√	√	√	√	–
SEG19			√	√	√	√	√
SEG20			√	√	√	√	√
SEG21			√	√	√	√	√
SEG22			√	–	–	–	–
SEG23			√	√	–	–	–
SEG24			√	√	√	–	–
SEG25			√	√	√	√	–
SEG26			√	√	√	√	–
SEG27			√	√	√	√	√
SEG28			√	√	√	√	√
SEG29			√	√	√	√	√
SEG30			√	√	√	√	√
SEG31			√	√	√	√	√
SEG32			√	√	√	√	√
SEG33			√	√	√	√	–
SEG34			√	√	√	√	–
SEG35			√	√	√	–	–
SEG36			√	√	–	–	–
SEG37			√	–	–	–	–
SEG38			√	–	–	–	–

Remark √: Mounted

–: Not mounted

(3/5)

Function Name	I/O	Function	64-pin	52-pin	48-pin	44-pin	32-pin
INTP0	Input	External interrupt request input	√	√	√	√	√
INTP1			√	√	√	√	√
INTP2			√	√	√	√	√
INTP3			√	√	√	√	–
INTP4			√	√	√	√	–
INTP5			√	√	√	–	–
INTP6			√	–	–	–	–
INTP7			√	–	–	–	–
KR0	Input	Key interrupt input	√	√	√	√	√
KR1			√	√	√	√	√
KR2			√	√	√	√	√
KR3			√	√	√	√	√
PCLBUZ0	Output	Clock output/buzzer output	√	√	√	√	√
PCLBUZ1			√	√	√	√	–
REGC	–	Connecting regulator output stabilization capacitance for internal operation. Connect to V _{SS} via a capacitor (0.47 to 1 μF: target).	√	√	√	√	√
RTC1HZ	Output	Real-time clock correction clock (1 Hz) output	√	√	√	√	–
RESET	Input	System reset input	√	√	√	√	√
RxD0	Input	Serial data input to UART0	√	√	√	√	√
SCK00	I/O	Clock input/output for CSI00 and CSI01	√	√	√	√	√
SCK01			√	√	√	√	√
SCLA0	I/O	Clock input/output for I ² C	√	√	√	√	√
SDAA0	I/O	Serial data I/O for I ² C	√	√	√	√	√
SI00	Input	Serial data input to CSI00 and CSI01	√	√	√	√	√
SI01			√	√	√	√	√
SO00	Output	Serial data output from CSI00 and CSI01	√	√	√	√	√
SO01			√	√	√	√	√

Remark √: Mounted

–: Not mounted

(4/5)

Function Name	I/O	Function	64-pin	52-pin	48-pin	44-pin	32-pin
TI00	Input	External count clock input to 16-bit timer 00	√	√	√	√	√
TI01		External count clock input to 16-bit timer 01	√	√	√	√	√
TI02		External count clock input to 16-bit timer 02	√	√	√	√	√
TI03		External count clock input to 16-bit timer 03	√	√	√	√	–
TI04		External count clock input to 16-bit timer 04	√	√	√	–	–
TI05		External count clock input to 16-bit timer 05	√	√	–	–	–
TI06		External count clock input to 16-bit timer 06	√	√	–	–	–
TI07		External count clock input to 16-bit timer 07	√	√	√	√	√
TO00	Output	16-bit timer 00 output	√	√	√	√	√
TO01		16-bit timer 01 output	√	√	√	√	√
TO02		16-bit timer 02 output	√	√	√	√	√
TO03		16-bit timer 03 output	√	√	√	√	–
TO04		16-bit timer 04 output	√	√	√	–	–
TO05		16-bit timer 05 output	√	√	–	–	–
TO06		16-bit timer 06 output	√	√	–	–	–
TO07		16-bit timer 07 output	√	√	√	√	√
TxD0	Output	Serial data output from UART0	√	√	√	√	√
X1	–	Resonator connection for main system clock	√	√	√	√	√
X2	–		√	√	√	√	√
EXCLK	Input	External clock input for main system clock	√	√	√	√	√
EXCLKS	Input	External clock input for subsystem clock	√	√	√	√	–
XT1	–	Resonator connection for subsystem clock	√	√	√	√	–
XT2	–		√	√	√	√	–

Remark √: Mounted
 –: Not mounted

(5/5)

Function Name	I/O	Function	64-pin	52-pin	48-pin	44-pin	32-pin
V _{DD}	–	<32-pin, 44-pin, 48-pin, 52-pin> Positive power supply for all pins <64-pin > Positive power supply for P20, P21, P121 to P124, P137 and $\overline{\text{RESET}}$ pin	√	√	√	√	√
EV _{DD}	–	<64-pin> Positive power supply for ports (other than P20, P21, P121 to P124, P137) and pins other ports (except for the RESET pin)	√	–	–	–	–
AV _{REFP}	Input	A/D converter reference potential (+ side) input	√	√	√	√	√
AV _{REFM}	Input	A/D converter reference potential (– side) input	√	√	√	√	√
V _{SS}	–	<32-pin, 44-pin, 48-pin, 52-pin> Ground potential for all pins <64-pin> Ground potential for P20, P21, P121 to P124, P137 and $\overline{\text{RESET}}$ pin	√	√	√	√	√
EV _{SS}	–	<64-pin > Ground potential for ports (other than P20, P21, P121 to P124, P137) and pins other ports (except for the RESET pin)	√	–	–	–	–
TOOLRxD	Input	UART reception pin for the external device connection used during flash memory programming	√	√	√	√	√
TOOLTxD	Output	UART transmission pin for the external device connection used during flash memory programming	√	√	√	√	√
TOOL0	I/O	Data I/O for flash memory programmer/debugger	√	√	√	√	√

Remark √: Mounted
 –: Not mounted

<R> 2.2.2 Description of Functions

Function Name	I/O	Function
COM0 to COM7	Output	LCD controller/driver common signal outputs
SEG0 to SEG38	Output	LCD controller/driver segment signal outputs
VL1, VL2, VL3, VL4	—	LCD drive voltage
CAPH, CAPL	—	Connecting a capacitor for LCD controller/driver
ANI0, ANI1, ANI16 to ANI23	Input	A/D converter analog input (see Figure 11-38 Analog Input Pin Connection)
INTP0 to INTP17	Input	External interrupt request input Specified the valid edge: Rising edge, falling edge, or both rising and falling edges
KR0 to KR3	Input	Key interrupt input
PCLBUZ0, PCLBUZ1	Output	Clock output/buzzer output
REGC	—	Pin for connecting regulator output stabilization capacitance for internal operation. Connect this pin to V _{SS} via a capacitor (0.47 to 1 μF). Also, use a capacitor with good characteristics, since it is used to stabilize internal voltage.
RTC1HZ	Output	Real-time clock correction clock (1 Hz) output
RESET	Input	This is the active-low system reset input pin. When the external reset pin is not used, connect this pin directly or via a resistor to V _{DD} .
RxD0	Input	Serial data input pin of serial interface UART0
TxD0	Output	Serial data output pin of serial interface UART0
SCK00, SCK01	I/O	Serial clock I/O pins of serial interfaces CSI00 and CSI01
SI00, SI01	Input	Serial data input pins of serial interfaces CSI00 and CSI01
SO00, SO01	Output	Serial data output pins of serial interfaces CSI00 and CSI01
SCLA0	I/O	Clock I/O pin of serial interface IICA0
SDAA0	I/O	Serial data I/O pin of serial interface IICA0.
TI00 to TI07	Input	The pins for inputting an external count clock/capture trigger to 16-bit timers 00 to 07.
TO00 to TO07	Output	Timer output pins of 16-bit timers 00 to 07
X1, X2	—	Resonator connection for main system clock
EXCLK	Input	External clock input for main system clock
XT1, XT2	—	Resonator connection for subsystem clock
EXCLKS	Input	External clock input for subsystem clock

Function Name	I/O	Function
V _{DD}	—	<32-pin, 44-pin, 48-pin, 52-pin> Positive power supply for all pins <64-pin > Positive power supply for P20, P21, P121 to P124, P137 and other than ports
EV _{DD}	—	<64-pin> Positive power supply for ports (other than P20, P21, P121 to P124, P137)
AV _{REFP}	Input	A/D converter reference voltage (+ side) input
AV _{REFM}	Input	A/D converter reference voltage (– side) input
V _{SS}	—	<32-pin, 44-pin, 48-pin, 52-pin > Ground potential for all pins <64-pin> Ground potential for P20, P21, P121 to P124, P137 and other than ports
EV _{SS}	—	<64-pin> Ground potential for ports (other than P20, P21, P121 to P124, P137)
TOOLRxD	Input	UART reception pin for the external device connection used during flash memory programming
TOOLTxD	Output	UART transmission pin for the external device connection used during flash memory programming
TOOL0	I/O	Data I/O for flash memory programmer/debugger

Caution After reset release, the relationships between P40/TOOL0 and the operating mode are as follows.

Table 2-2. Relationships Between P40/TOOL0 and Operation Mode After Reset Release

P40/TOOL0	Operating mode
EV _{DD}	Normal operation mode
0 V	Flash memory programming mode

For details, see **26.4 Serial Programming Method**.

Remark Use bypass capacitors (about 0.1 μ F) as noise and latch up countermeasures with relatively thick wires at the shortest distance to V_{DD} to V_{SS} and EV_{DD} to EV_{SS} lines.

2.3 Connection of Unused Pins

Table 2-3 shows the types of pin I/O circuits and the recommended connections of unused pins.

Remark The pins mounted depend on the product. See 1.3 Pin Configuration (Top View) and 2.1 Port Function.

<R>

Table 2-3. Connection of Unused Pins (64-pin products) (1/3)

Pin Name	I/O	Recommended Connection of Unused Pins	
P10/SCK00/SEG28	I/O	<When setting to port I/O> Input: Independently connect to EV _{DD} or EV _{SS} via a resistor. Output: Leave open. <When setting to segment output> Leave open.	
P11/SI00/RxD0/TOOLRxD/SEG29			
P12/SO00/TxD0/TOOLTxD/SEG30			
P13/ANI18/SEG31			
P14/ANI19/SEG32			
P15/SCK01/INTP1/SEG4			
P16/SI01/INTP2/SEG5			
P17/SO01/TI02/TO02/SEG6			
P20/ANI0/AV _{REFP}			Input: Independently connect to V _{DD} or V _{SS} via a resistor. Output: Leave open.
P21/ANI1/AV _{REFM}			
P30/TI01/TO01/SEG19			<When setting to port I/O> Input: Independently connect to EV _{DD} or EV _{SS} via a resistor. Output: Leave open. <When setting to segment output> Leave open.
P31/INTP3/RTC1HZ/SEG18			
P32/TI03/TO03/INTP4/SEG17			
P40/TOOL0	Input: Independently connect to EV _{DD} via a resistor or leave open. Output: Leave open.		
P41/ANI16/TI04/TO04/SEG24			
P42/TI05/TO05/SEG23	<When setting to port I/O> Input: Independently connect to EV _{DD} or EV _{SS} via a resistor. Output: Leave open. <When setting to segment output> Leave open.		
P43/INTP7/SEG22			

Remark With products not provided with an EV_{DD} or EV_{SS} pin, replace EV_{DD} with V_{DD}, or replace EV_{SS} with V_{SS}.

<R>

Table 2-3. Connection of Unused Pins (64-pin products) (2/3)

Pin Name	I/O	Recommended Connection of Unused Pins
P50/INTP5/SEG7/(PCLBUZ0)	I/O	<When setting to port I/O> Input: Independently connect to EV _{DD} or EV _{SS} via a resistor. Output: Leave open. <When setting to segment output> Leave open.
P51/TI06/TO06/SEG8		
P52/INTP6/SEG9		
P53/TI07/TO07/SEG10/(INTP1)		
P54/SEG11/(TI02)/(TO02)/(INTP2)		
P60/SCLA0/SEG21		
P61/SDAA0/SEG20		
P70/KR0/SEG16		
P71/KR1/SEG15		
P72/KR2/SEG14		
P73/KR3/SEG13		
P74/SEG12		
P120/ANI17/SEG25		
P121/X1		
P122/X2/EXCLK		
P123/XT1		
P124/XT2/EXCLKS		
P125/V _{L3}	I/O	Input: Independently connect to EV _{DD} or EV _{SS} via a resistor. Output: Leave open.
P126/CAPL		
P127/CAPH		
P130	Output	Leave open.
P137/INTP0	Input	Independently connect to V _{DD} or V _{SS} via a resistor.
P140/TO00/PCLBUZ0/SEG27/(INTP6)	I/O	<When setting to port I/O> Input: Independently connect to EV _{DD} or EV _{SS} via a resistor. Output: Leave open. <When setting to segment output> Leave open.
P141/TI00/PCLBUZ1/SEG26/(INTP7)		
P142/ANI20/SEG33		
P143/ANI21/SEG34		
P144/ANI22/SEG35		
P145/ANI23/SEG36		
P146/SEG37		
P147/SEG38		
RESET		
REGC	–	Connect to V _{SS} via capacitor (0.47 to 1 μF).

- Remarks 1.** With products not provided with an EV_{DD} or EV_{SS} pin, replace EV_{DD} with V_{DD}, or replace EV_{SS} with V_{SS}.
- 2.** Functions in parentheses in the above figure can be assigned via settings in the peripheral I/O redirection register (PIOR)

<R>

Table 2-3. Connection of Unused Pins (64-pin products) (3/3)

Pin Name	I/O	Recommended Connection of Unused Pins
COM0 to COM3	Output	Leave open.
COM4/SEG0		
COM5/SEG1		
COM6/SEG2		
COM7/SEG3		
V _{L1} , V _{L2} , V _{L4}	-	

<R> 2.4 Block Diagrams of Pins

Figures 2-1 to 2-14 show the block diagrams of the pins described in 2.1.1 32-pin products to 2.1.5 64-pin products.

Figure 2-1. Pin Block Diagram for Pin Type 1-1-1

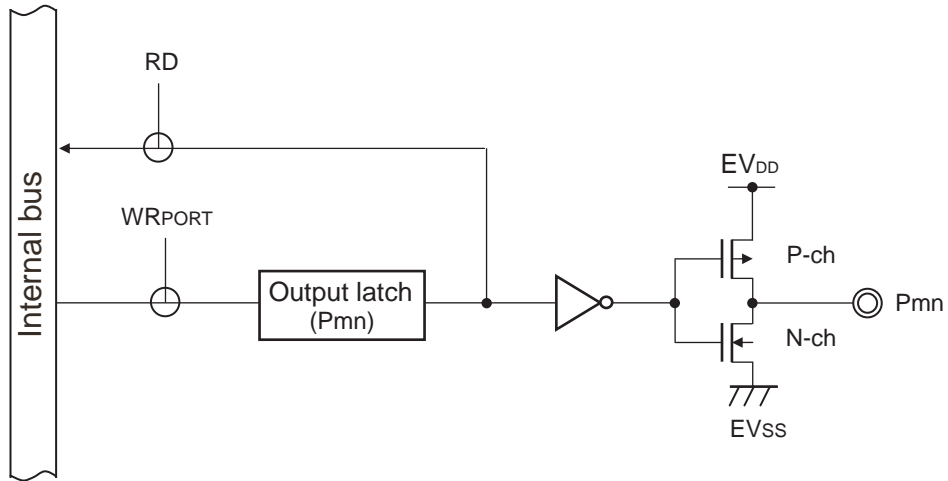


Figure 2-2. Pin Block Diagram for Pin Type 2-1-1

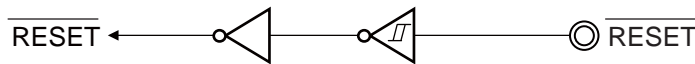
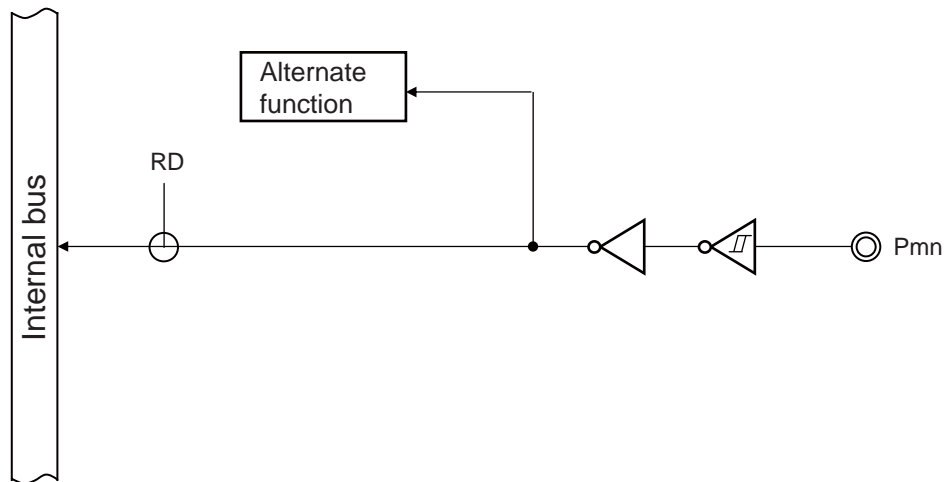
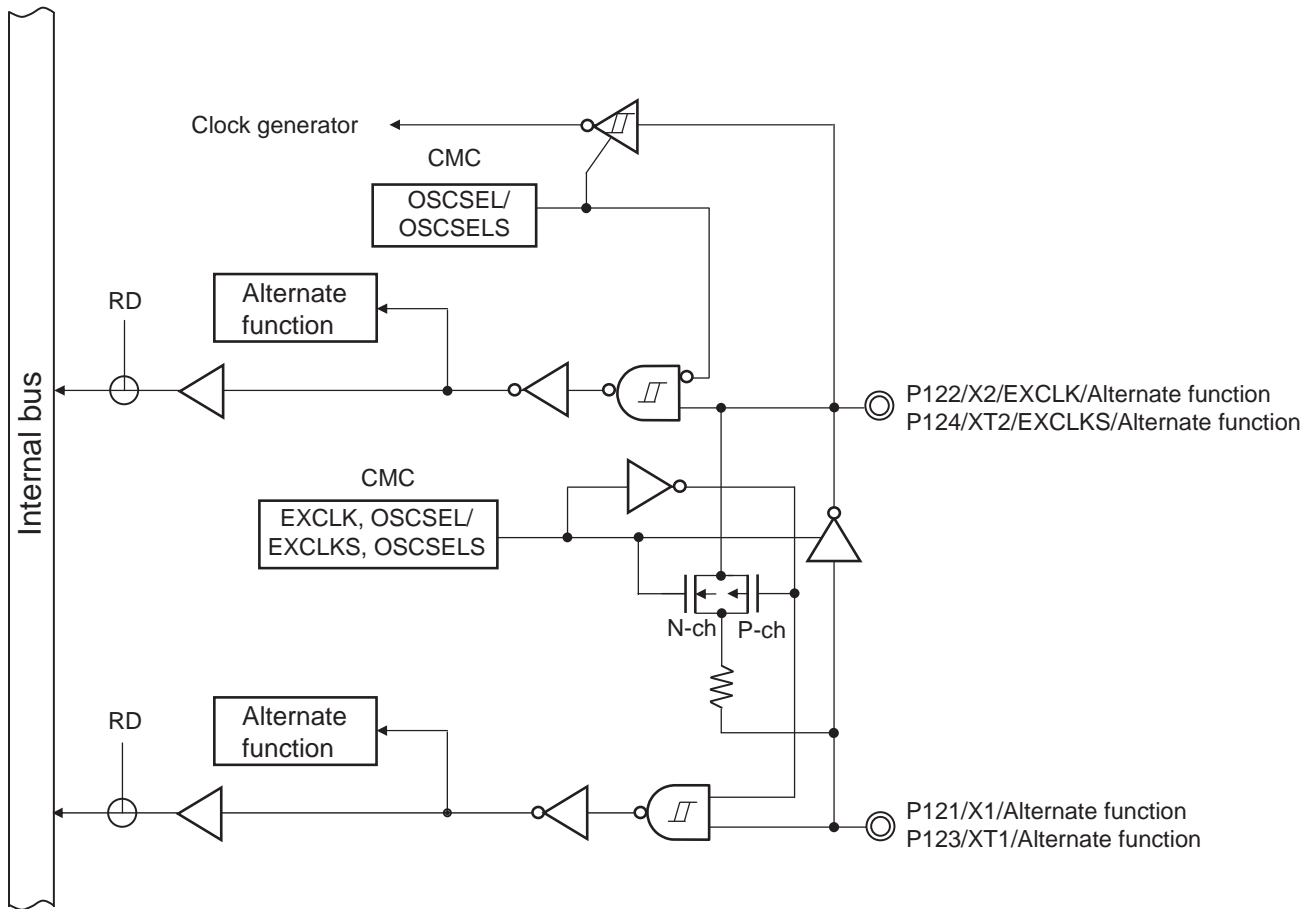


Figure 2-3. Pin Block Diagram for Pin Type 2-1-2



Remark For alternate functions, see 2.1 Port Function.

Figure 2-4. Pin Block Diagram for Pin Type 2-2-1



Remark For alternate functions, see 2.1 Port Function.

Figure 2-5. Pin Block Diagram for Pin Type 4-3-1

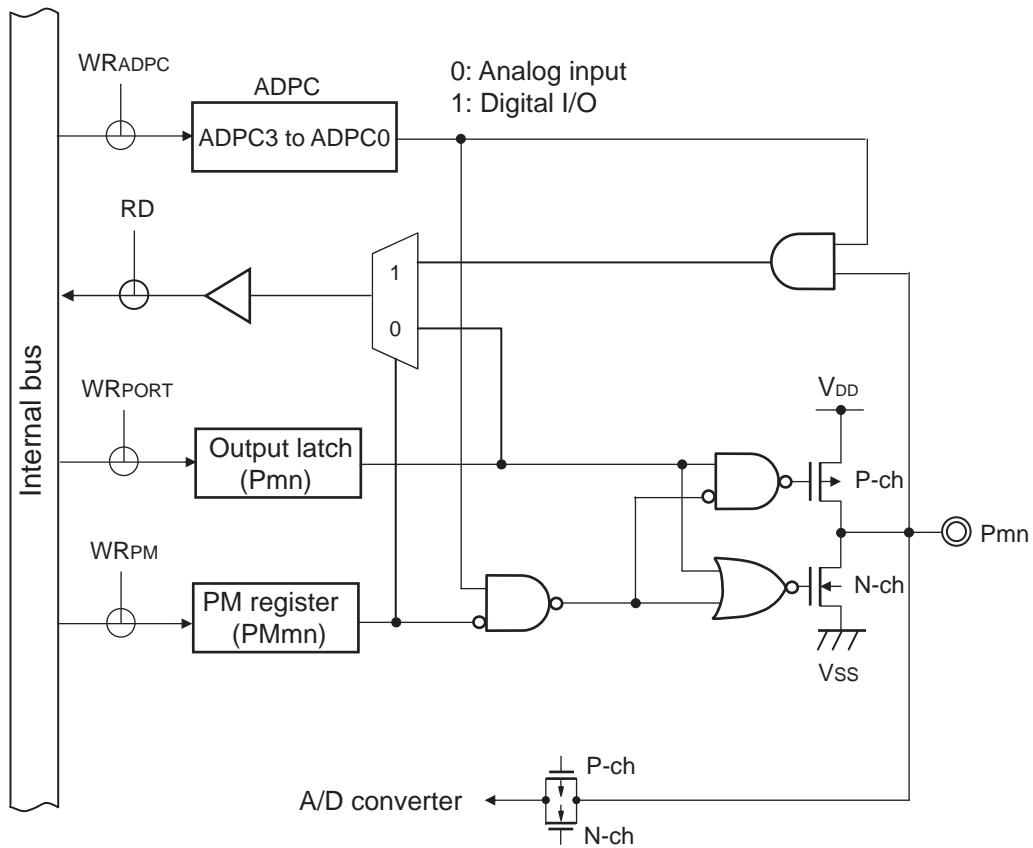
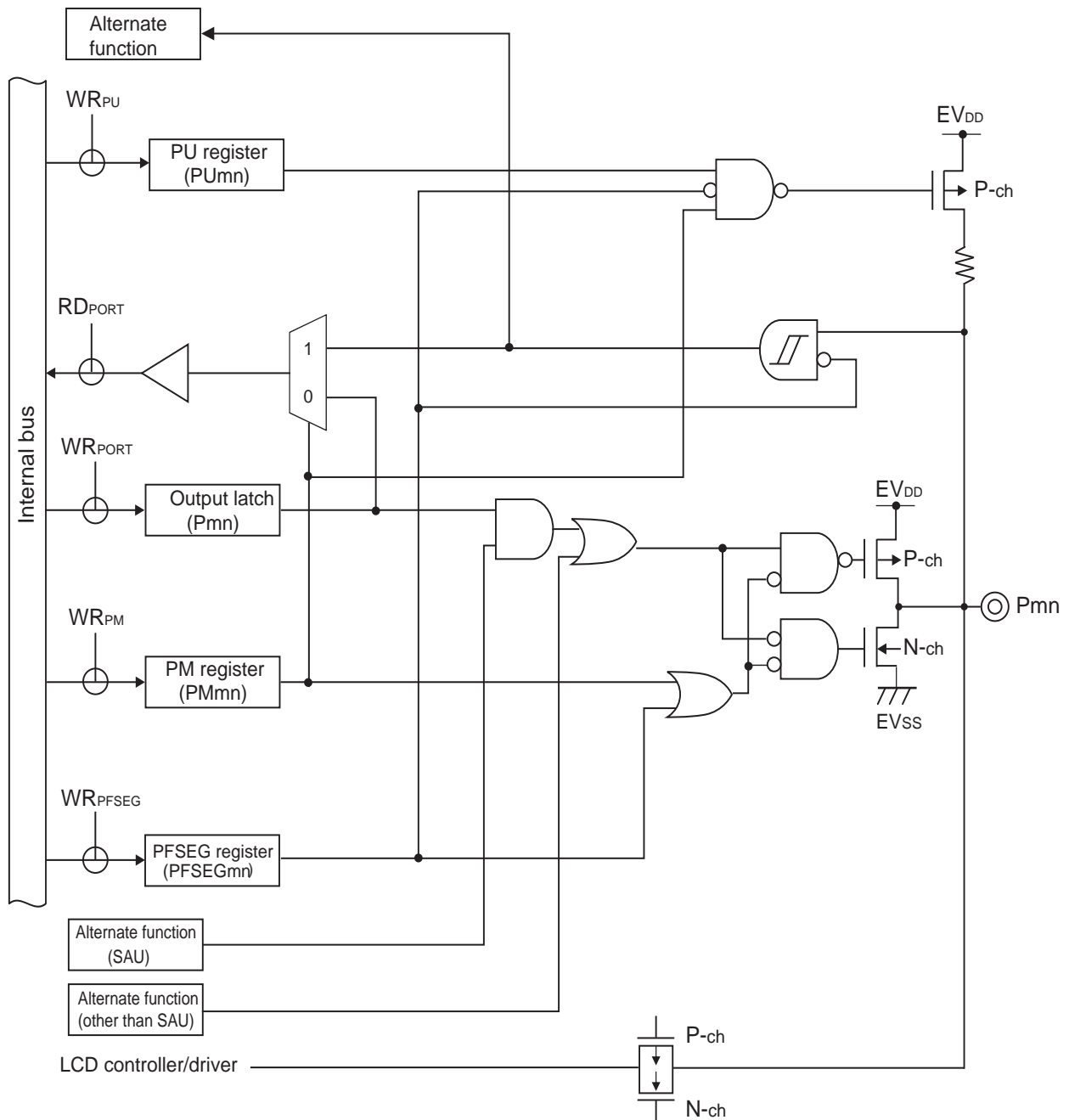
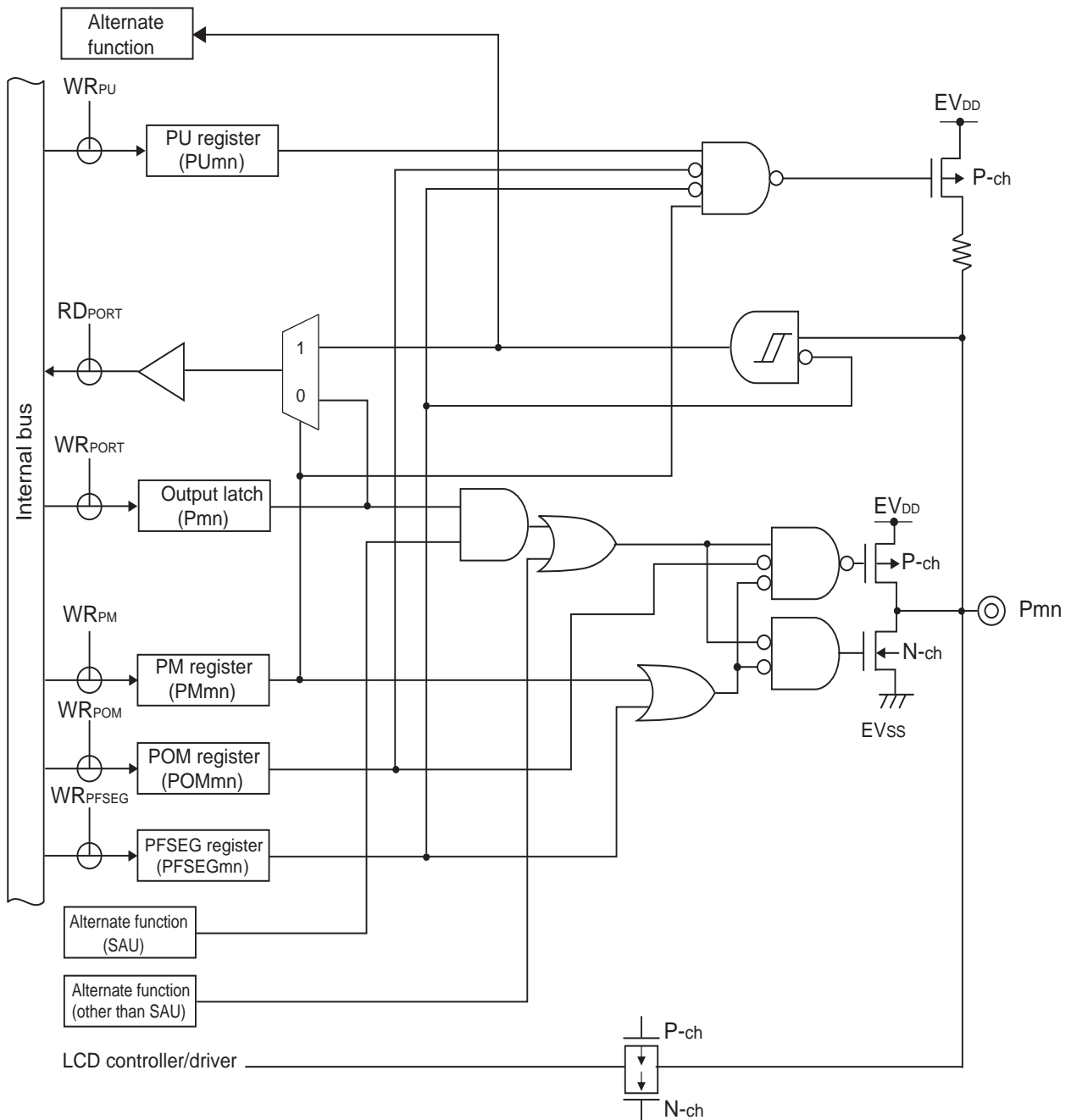


Figure 2-7. Pin Block Diagram for Pin Type 7-5-1



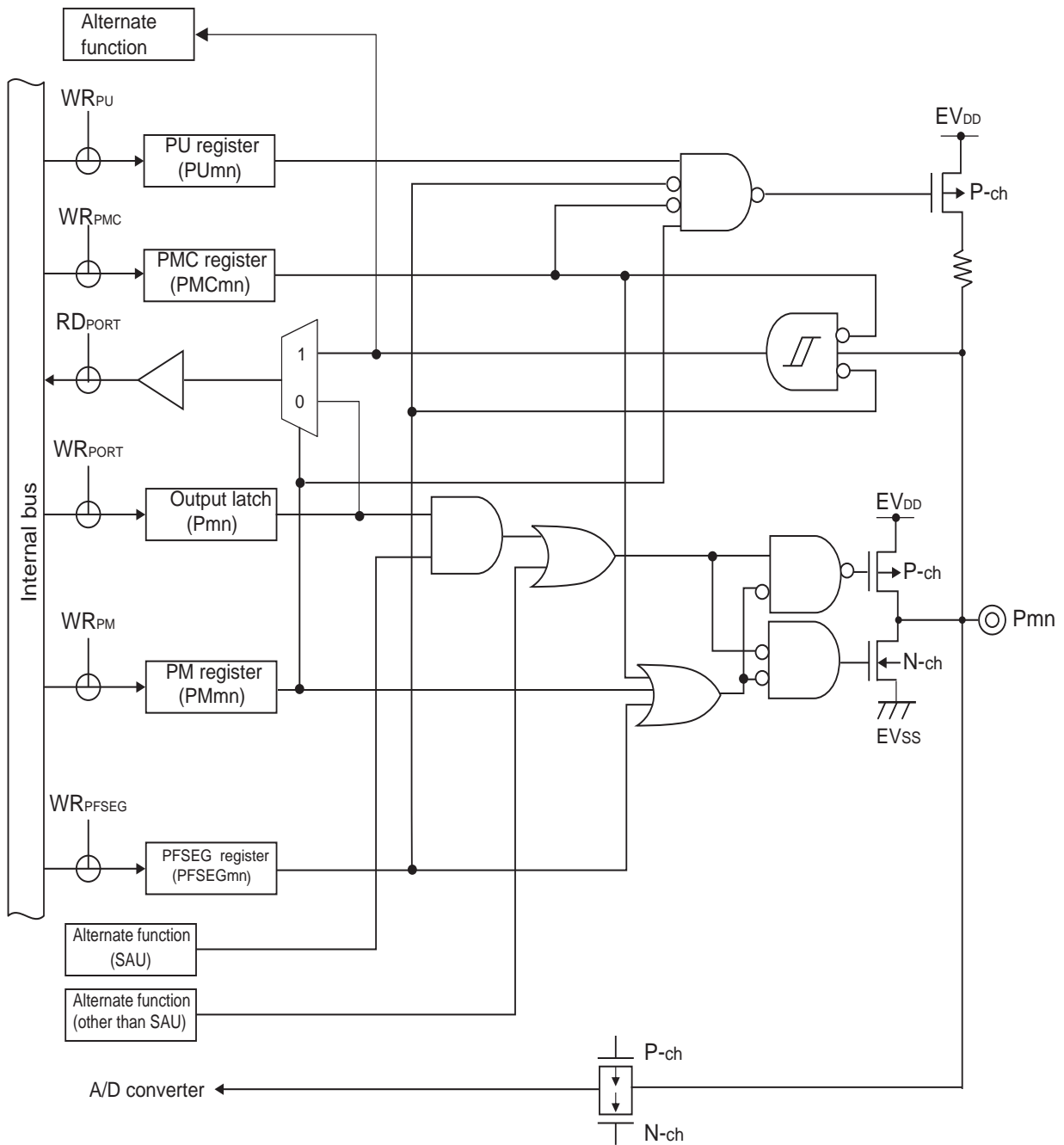
- Remarks 1.** For alternate functions, see 2.1 Port Function.
2. SAU: Serial array unit

Figure 2-8. Pin Block Diagram for Pin Type 7-5-7



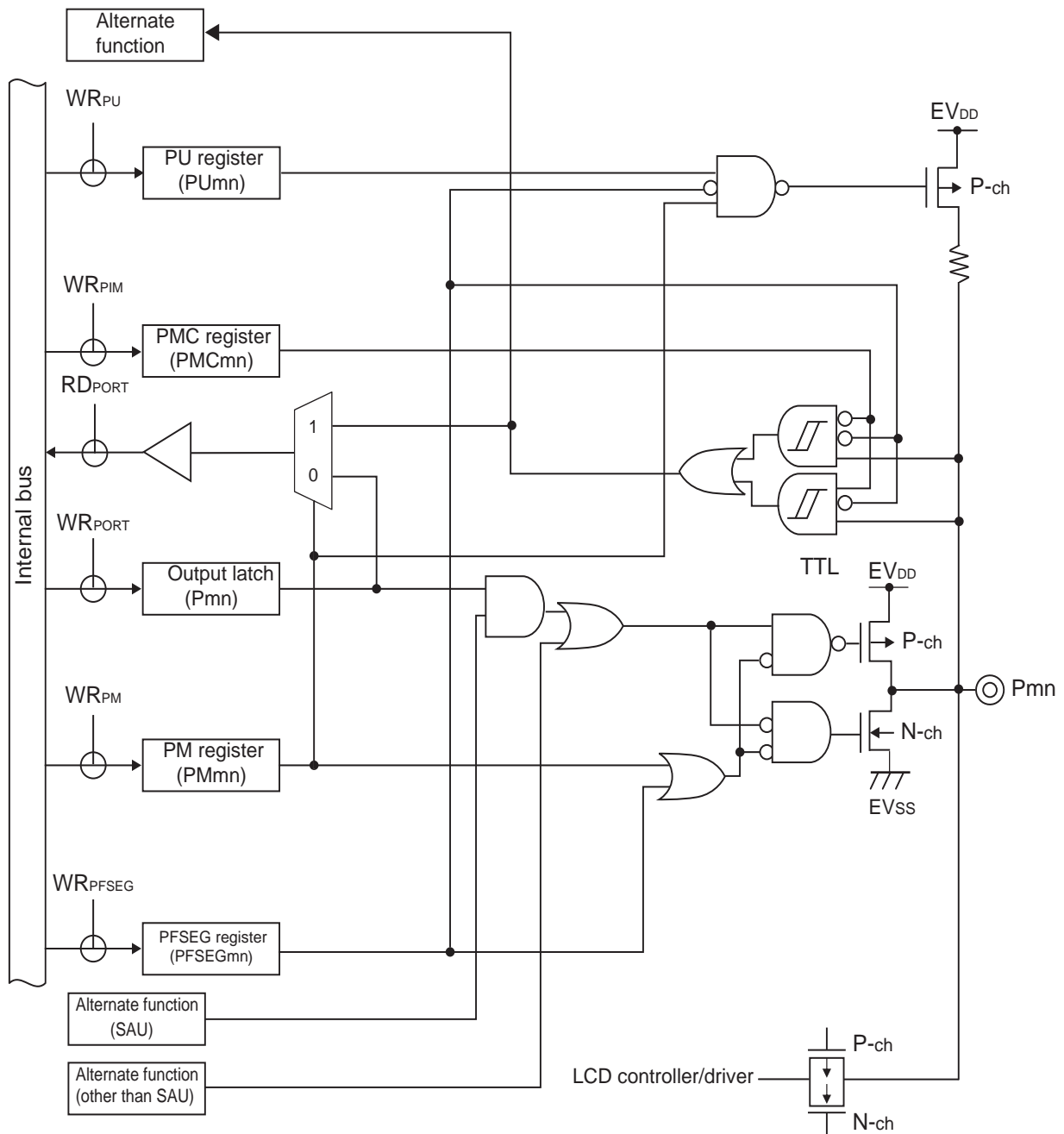
- Remarks 1. For alternate functions, see 2.1 Port Function.
- 2. SAU: Serial array unit

Figure 2-9. Pin Block Diagram for Pin Type 7-10-1



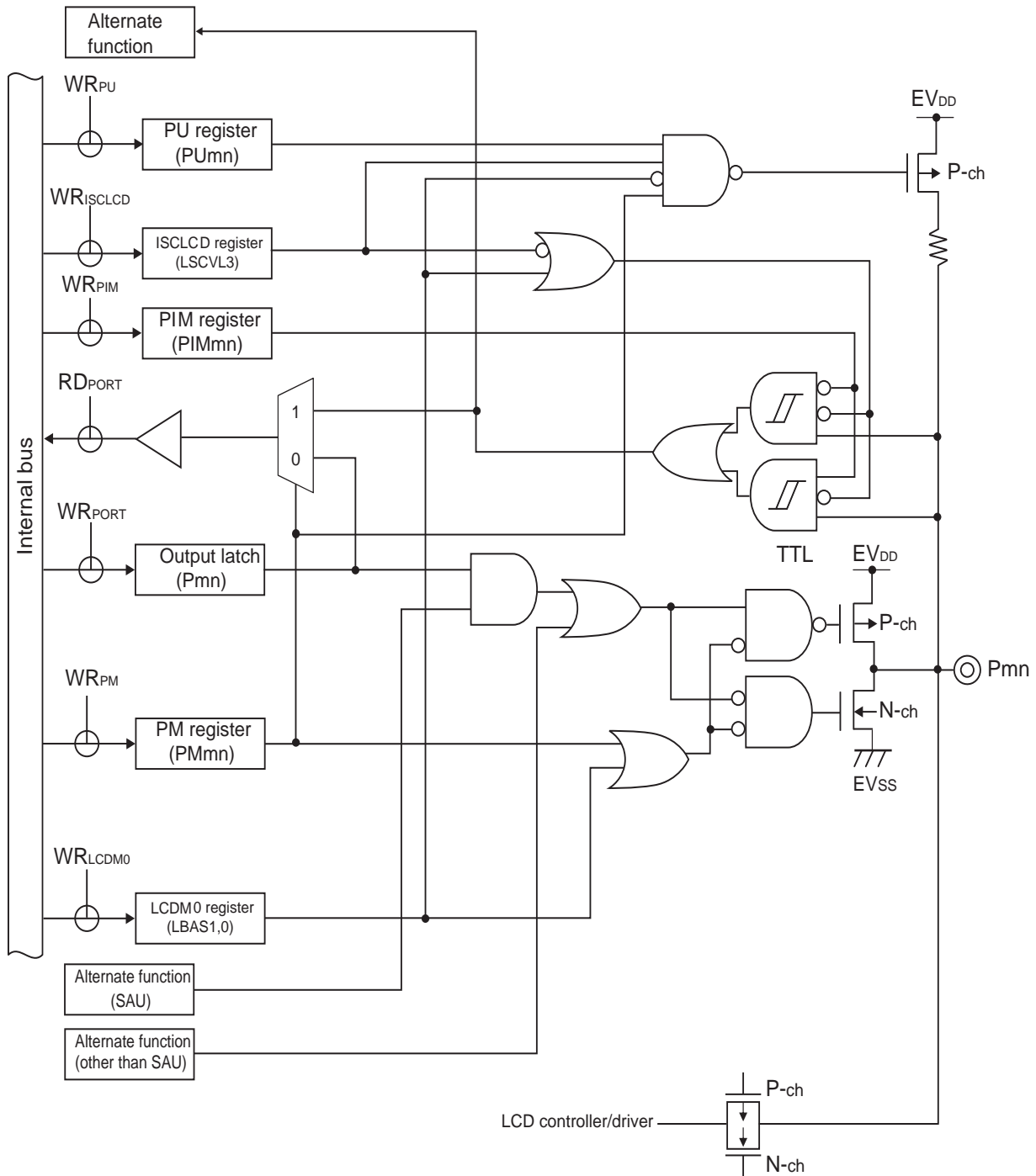
- Remarks**
1. For alternate functions, see 2.1 Port Function.
 2. SAU: Serial array unit

Figure 2-10. Pin Block Diagram for Pin Type 8-5-1



- Remarks 1. For alternate functions, see 2.1 Port Function.
- 2. SAU: Serial array unit

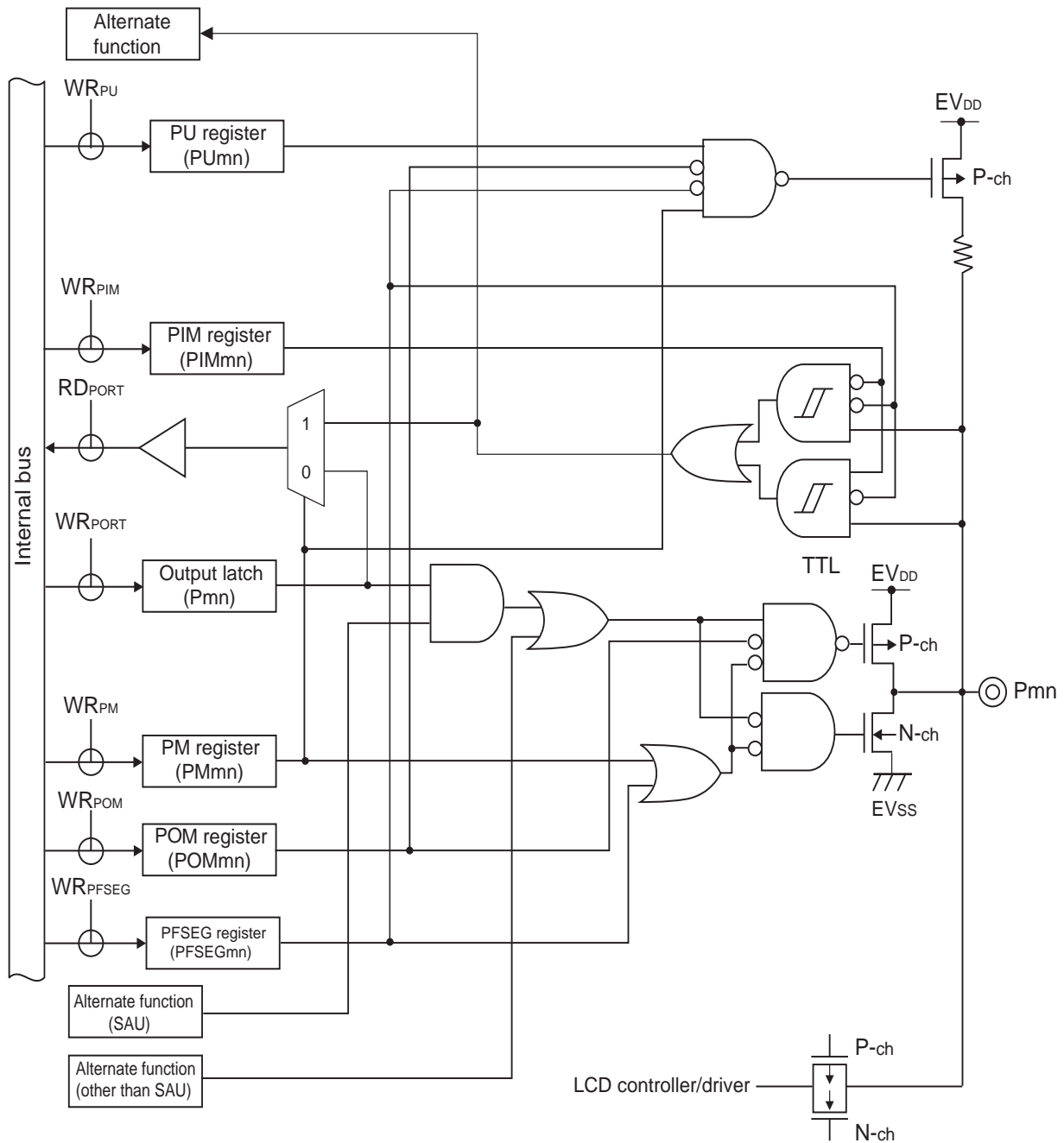
Figure 2-12. Pin Block Diagram for Pin Type 8-5-3



Remarks 1. For alternate functions, see 2.1 Port Function.

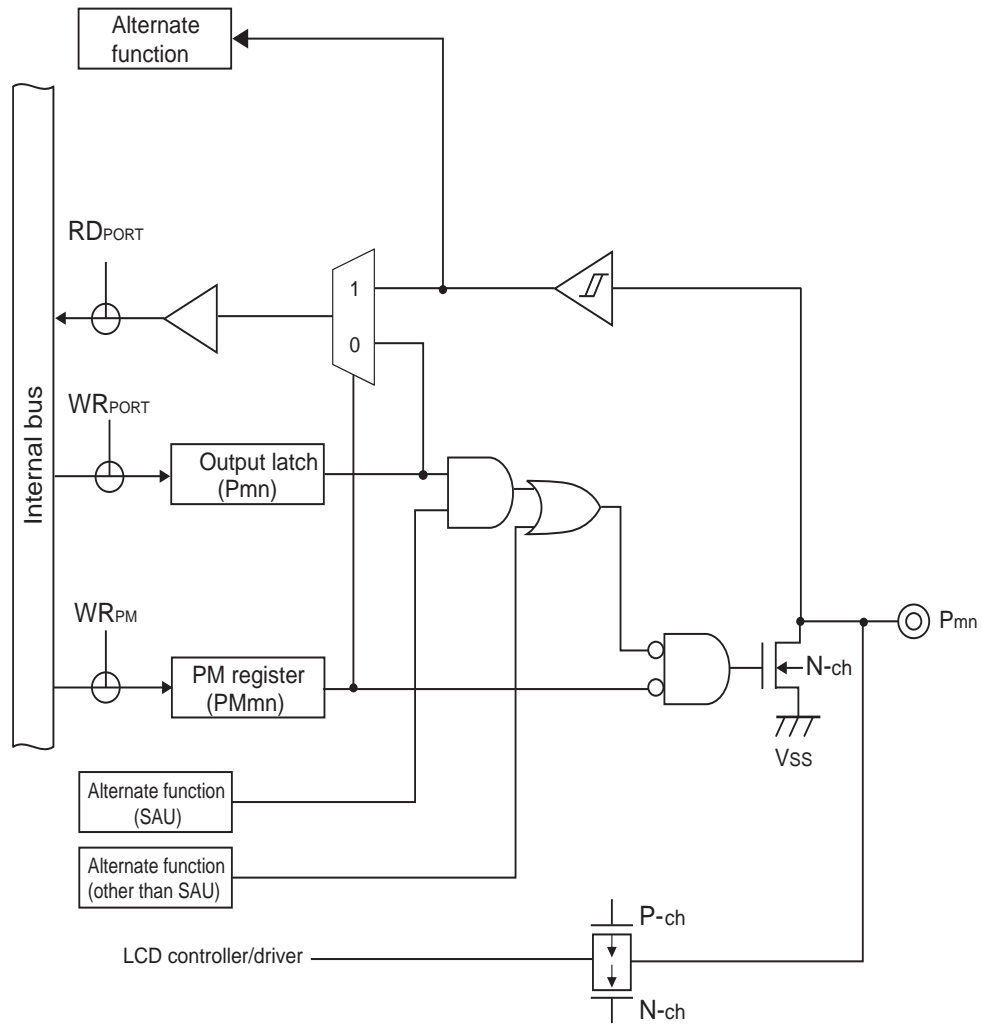
2. SAU: Serial array unit

Figure 2-13. Pin Block Diagram for Pin Type 8-5-7



- Remarks 1.** For alternate functions, see 2.1 Port Function.
2. SAU: Serial array unit

Figure 2-14. Pin Block Diagram for Pin Type 12-1-4



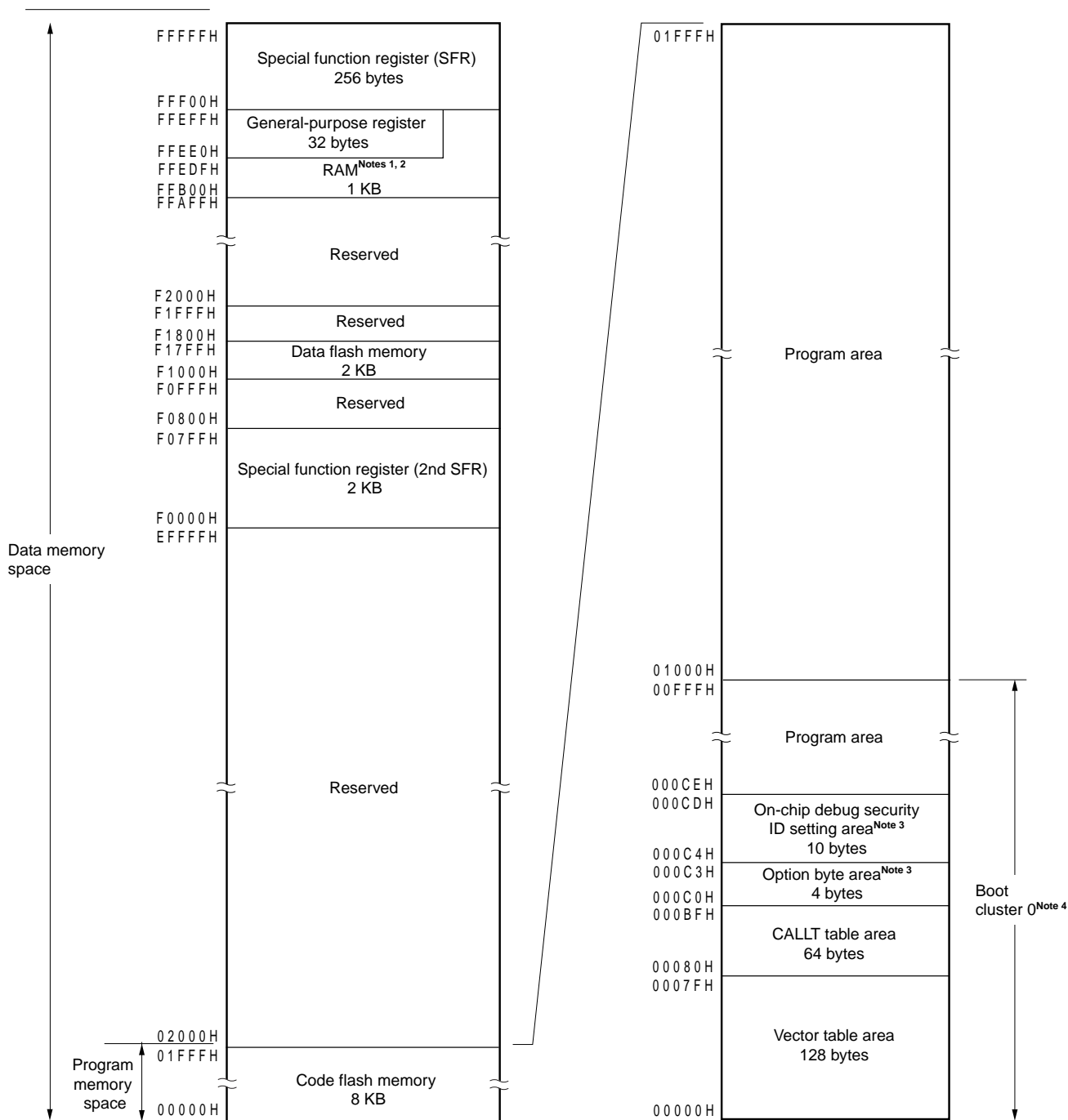
- Remarks 1. For alternate functions, see 2.1 Port Function.
- 2. SAU: Serial array unit

CHAPTER 3 CPU ARCHITECTURE

3.1 Memory Space

Products in the RL78/L12 can access a 1 MB address space. Figures 3-1 to 3-3 show the memory maps.

Figure 3-1. Memory Map (R5F10Rx8 (x = B, F, G, J))

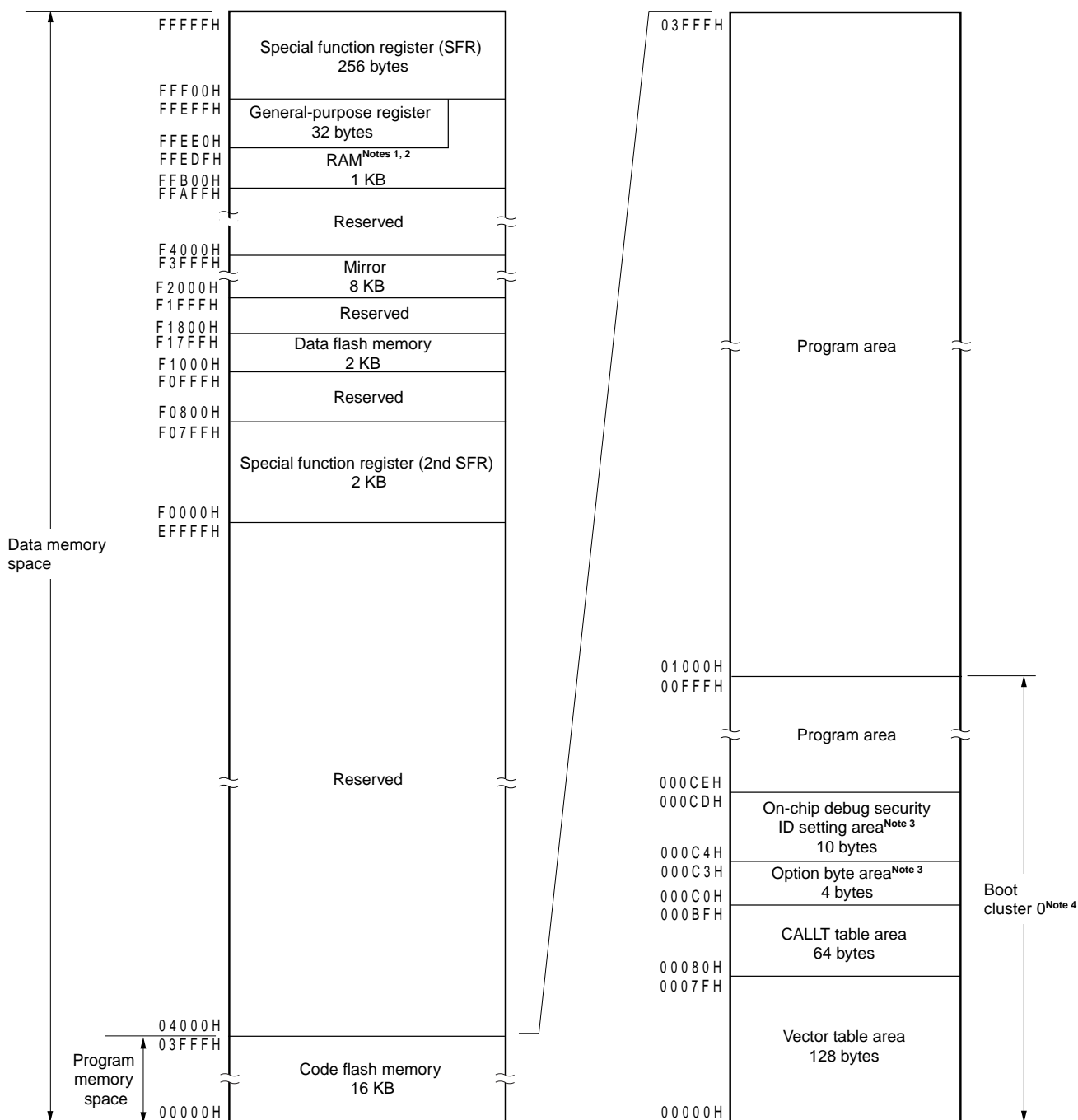


- Notes**
1. Use of the area FFE20H to FFEDFH and FFB00H to FFC89H is prohibited when using the self-programming function and data flash function, because this area is used for self-programming library.
 2. Instructions can be executed from the RAM area excluding the general-purpose register area.
 3. Set the option bytes to 000C0H to 000C3H, and the on-chip debug security IDs to 000C4H to 000CDH.
 4. Writing boot cluster 0 can be prohibited depending on the setting of security (see 26.7 Security Settings).

Caution While RAM parity error resets are enabled (RPERDIS = 0), be sure to initialize RAM areas where data access is to proceed and the RAM area + 10 bytes when instructions are fetched from RAM areas, respectively.

Reset signal generation sets RAM parity error resets to enabled (RPERDIS = 0). For details, see 23.3.3 RAM parity error detection function.

Figure 3-2. Memory Map (R5F10RxA (x = B, F, G, J, L))

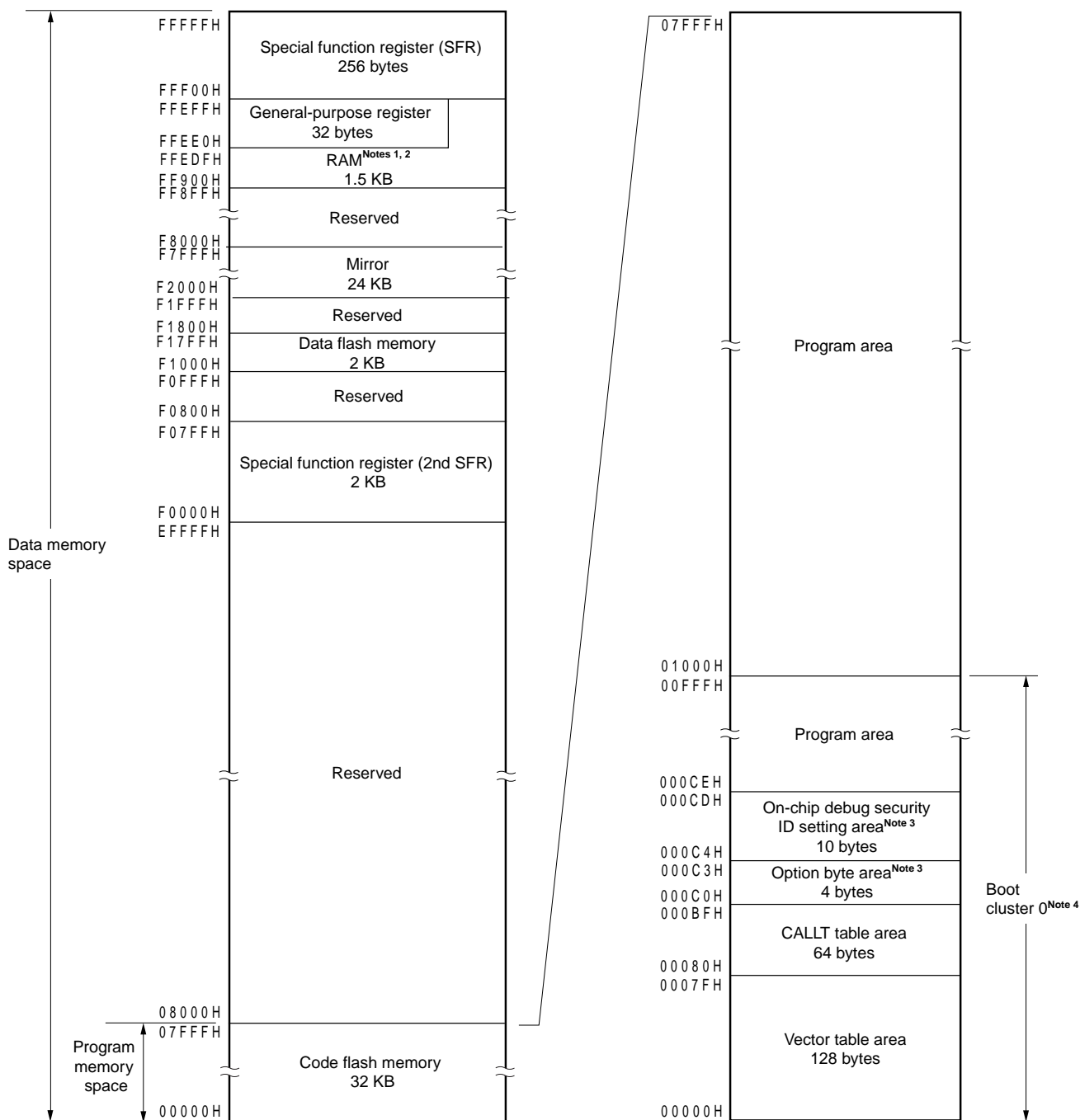


- Notes**
1. Use of the area FFE20H to FFEDFH and FFB00H to FFC89H is prohibited when using the self-programming function and data flash function, because this area is used for self-programming library.
 2. Instructions can be executed from the RAM area excluding the general-purpose register area.
 3. Set the option bytes to 000C0H to 000C3H, and the on-chip debug security IDs to 000C4H to 000CDH.
 4. Writing boot cluster 0 can be prohibited depending on the setting of security (see 26.7 Security Settings).

Caution While RAM parity error resets are enabled (RPERDIS = 0), be sure to initialize RAM areas where data access is to proceed and the RAM area + 10 bytes when instructions are fetched from RAM areas, respectively.

Reset signal generation sets RAM parity error resets to enabled (RPERDIS = 0). For details, see 23.3.3 RAM parity error detection function.

Figure 3-3. Memory Map (R5F10RxC (x = B, F, G, J, L))

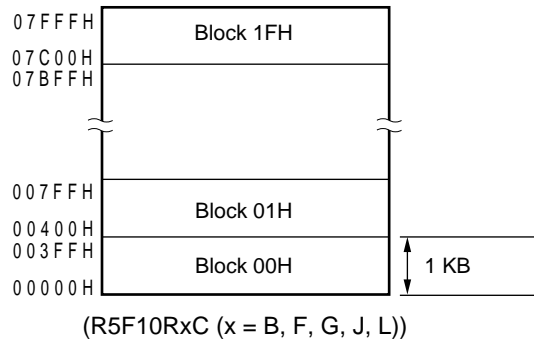


- Notes**
1. Use of the area FFE20H to FFEDFH and FF900H to FFC89H is prohibited when using the self-programming function and data flash function, because this area is used for self-programming library.
 2. Instructions can be executed from the RAM area excluding the general-purpose register area.
 3. Set the option bytes to 000C0H to 000C3H, and the on-chip debug security IDs to 000C4H to 000CDH.
 4. Writing boot cluster 0 can be prohibited depending on the setting of security (see 26.7 Security Settings).

Caution While RAM parity error resets are enabled (RPERDIS = 0), be sure to initialize RAM areas where data access is to proceed and the RAM area + 10 bytes when instructions are fetched from RAM areas, respectively.

Reset signal generation sets RAM parity error resets to enabled (RPERDIS = 0). For details, see 23.3.3 RAM parity error detection function.

Remark The flash memory is divided into blocks (one block = 1 KB). For the address values and block numbers, see **Table 3-1 Correspondence Between Address Values and Block Numbers in Flash Memory.**



Correspondence between the address values and block numbers in the flash memory are shown below.

Table 3-1. Correspondence Between Address Values and Block Numbers in Flash Memory

Address Value	Block Number	Address Value	Block Number	Address Value	Block Number	Address Value	Block Number
00000H to 003FFH	00H	02000H to 023FFH	08H	04000H to 043FFH	10H	06000H to 063FFH	18H
00400H to 007FFH	01H	02400H to 027FFH	09H	04400H to 047FFH	11H	06400H to 067FFH	19H
00800H to 00BFFH	02H	02800H to 02BFFH	0AH	04800H to 04BFFH	12H	06800H to 06BFFH	1AH
00C00H to 00FFFH	03H	02C00H to 02FFFH	0BH	04C00H to 04FFFH	13H	06C00H to 06FFFH	1BH
01000H to 013FFH	04H	03000H to 033FFH	0CH	05000H to 053FFH	14H	07000H to 073FFH	1CH
01400H to 017FFH	05H	03400H to 037FFH	0DH	05400H to 057FFH	15H	07400H to 077FFH	1DH
01800H to 01BFFH	06H	03800H to 03BFFH	0EH	05800H to 05BFFH	16H	07800H to 07BFFH	1EH
01C00H to 01FFFH	07H	03C00H to 03FFFH	0FH	05C00H to 05FFFH	17H	07C00H to 07FFFH	1FH

Remark R5F10Rx8 (x = B, F, G, J): Block numbers 00H to 07H
 R5F10RxA (x = B, F, G, J, L): Block numbers 00H to 0FH
 R5F10RxC (x = B, F, G, J, L): Block numbers 00H to 1FH

3.1.1 Internal program memory space

The internal program memory space stores the program and table data.

The RL78/L12 products incorporate internal ROM (flash memory), as shown below.

Table 3-2. Internal ROM Capacity

Part Number	Internal ROM	
	Structure	Capacity
R5F10Rx8 (x = B, F, G, J)	Flash memory	8192 × 8 bits (00000H to 01FFFH)
R5F10RxA (x = B, F, G, J, L)		16384 × 8 bits (00000H to 03FFFH)
R5F10RxC (x = B, F, G, J, L)		32768 × 8 bits (00000H to 07FFFH)

The internal program memory space is divided into the following areas.

(1) Vector table area

The 128-byte area 00000H to 0007FH is reserved as a vector table area. The program start addresses for branch upon reset or generation of each interrupt request are stored in the vector table area. Furthermore, the interrupt jump address is a 64 K address of 00000H to 0FFFFH, because the vector code is assumed to be 2 bytes.

Of the 16-bit address, the lower 8 bits are stored at even addresses and the higher 8 bits are stored at odd addresses.

Table 3-3. Vector Table (1/2)

Vector Table Address	Interrupt Source	64-pin	52-pin	48-pin	44-pin	32-pin
0000H	RESET, POR, LVD, WDT, TRAP, IAW, RPE	√	√	√	√	√
0004H	INTWDTI	√	√	√	√	√
0006H	INTLVI	√	√	√	√	√
0008H	INTP0	√	√	√	√	√
000AH	INTP1	√	√	√	√	√
000CH	INTP2	√	√	√	√	√
000EH	INTP3	√	√	√	√	–
0010H	INTP4	√	√	√	√	–
0012H	INTP5	√	√	√	–	–
0014H	INTDMA0	√	√	√	√	√
0016H	INTDMA1	√	√	√	√	√
0018H	INTST0	√	√	√	√	√
	INTCSI00	√	√	√	√	√
001AH	INTSR0	√	√	√	√	√
	INTCSI01	√	√	√	√	√
001CH	INTSRE0	√	√	√	√	√
	INTTM01H	√	√	√	√	√
0020H	INTTM00	√	√	√	√	√
0024H	INTTM03H	√	√	√	√	√
0026H	INTIICA0	√	√	√	√	√
0028H	INTTM01	√	√	√	√	√
002AH	INTTM02	√	√	√	√	√
002CH	INTTM03	√	√	√	√	√
002EH	INTAD	√	√	√	√	√

Remark √: Mounted
–: Not mounted

Table 3-3. Vector Table (2/2)

Vector Table Address	Interrupt Source	64-pin	52-pin	48-pin	44-pin	32-pin
0030H	INTRTC	√	√	√	√	√
0032H	INTIT	√	√	√	√	√
0034H	INTKR	√	√	√	√	√
003CH	INTTM04	√	√	√	√	√
003EH	INTTM05	√	√	√	√	√
0040H	INTTM06	√	√	√	√	√
0042H	INTTM07	√	√	√	√	√
0044H	INTLCD0	√	√	√	√	√
0046H	INTP6	√	–	–	–	–
0048H	INTP7	√	–	–	–	–
004AH	INTMD	√	√	√	√	√
004CH	INTFL	√	√	√	√	√
007EH	BRK	√	√	√	√	√

Remark √: Mounted
–: Not mounted

(2) CALLT instruction table area

The 64-byte area 00080H to 000BFH can store the subroutine entry address of a 2-byte call instruction (CALLT). Set the subroutine entry address to a value in a range of 00000H to 0FFFFH (because an address code is of 2 bytes).

(3) Option byte area

A 4-byte area of 000C0H to 000C3H can be used as an option byte area. For details, see **CHAPTER 25 OPTION BYTE**.

(4) On-chip debug security ID setting area

A 10-byte area of 000C4H to 000CDH can be used as an on-chip debug security ID setting area. For details, see **CHAPTER 27 ON-CHIP DEBUG FUNCTION**.

3.1.2 Mirror area

The RL78/L12 mirrors the code flash area of 02000H to 07FFFH, to F2000H to F7FFFH (the code flash area to be mirrored is set by the processor mode control register (PMC)).

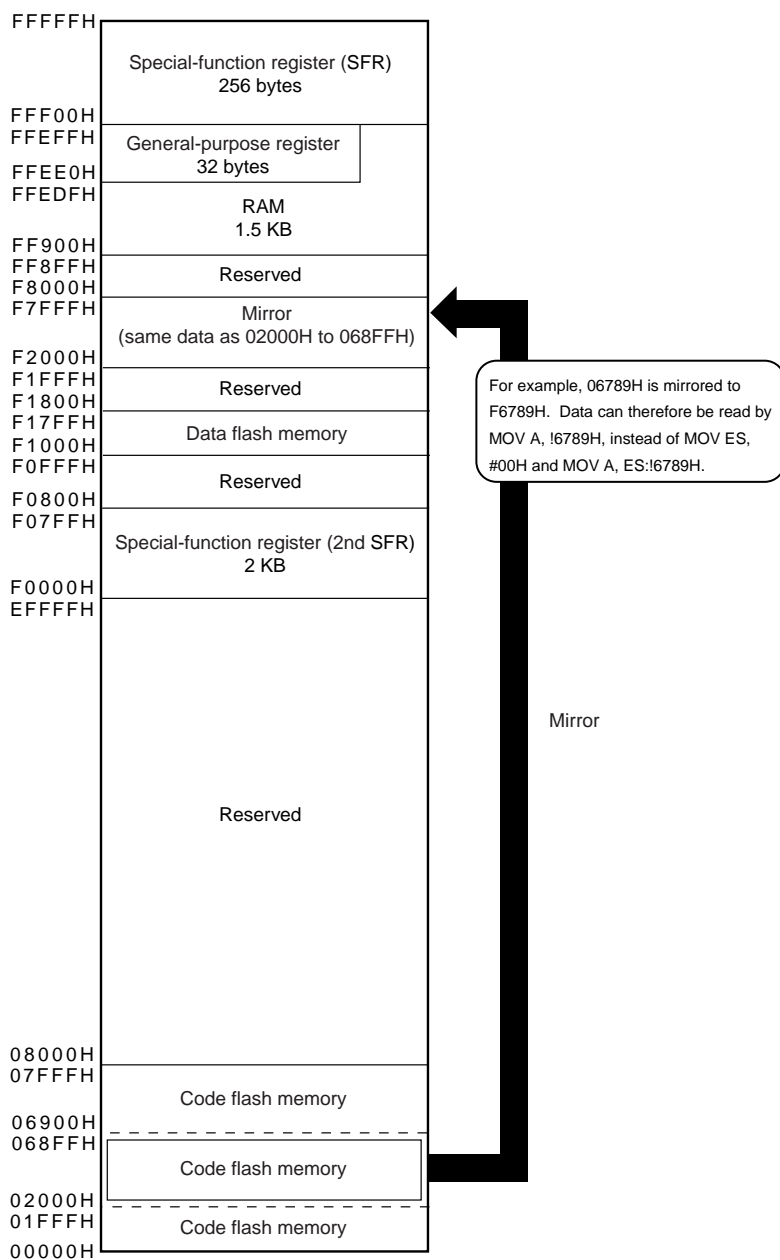
By reading data from F2000H to F7FFFH, an instruction that does not have the ES register as an operand can be used, and thus the contents of the code flash can be read with the shorter code. However, the code flash area is not mirrored to the SFR, extended SFR, RAM, and use prohibited areas.

See **3.1 Memory Space** for the mirror area of each product.

The mirror area can only be read and no instruction can be fetched from this area.

The following show examples.

Example R5F10RxC (x = B, F, G, J, L) (Flash memory: 32 KB, RAM: 1.5 KB)



The PMC register is described below.

- **Processor mode control register (PMC)**

This register sets the flash memory space for mirroring to area from F0000H to FFFFFH.

The PMC register can be set by a 1-bit or 8-bit memory manipulation instruction.

Reset signal generation sets this register to 00H.

Figure 3-4. Format of Configuration of Processor Mode Control Register (PMC)

Address: FFFFEH After reset: 00H R/W

Symbol	7	6	5	4	3	2	1	<0>
PMC	0	0	0	0	0	0	0	MAA

MAA	Selection of flash memory space for mirroring to area from F0000H to FFFFFH
0	00000H to 0FFFFH is mirrored to F0000H to FFFFFH
1	Setting prohibited

- Cautions**
1. Be sure to clear bit 0 (MAA) of this register to 0 (default value).
 2. After setting the PMC register, wait for at least one instruction and access the mirror area.

3.1.3 Internal data memory space

The RL78/L12 products incorporate the following RAMs.

Table 3-4. Internal RAM Capacity

Part Number	Internal RAM
R5F10Rx8 (x = B, F, G, J)	1024 × 8 bits (FFB00H to FFEFFH)
R5F10RxA (x = B, F, G, J, L)	
R5F10RxC (x = B, F, G, J, L)	1536 × 8 bits (FF900H to FFEFFH)

The internal RAM can be used as a data area and a program area where instructions are fetched (it is prohibited to use the general-purpose register area for fetching instructions). Four general-purpose register banks consisting of eight 8-bit registers per bank are assigned to the 32-byte area of FFEE0H to FFEFFH of the internal RAM area.

The internal RAM is used as stack memory.

Cautions 1. It is prohibited to use the general-purpose register (FFEE0H to FFEFFH) space for fetching instructions or as a stack area.

<R> **2. Do not allocate RAM addresses which are used as a stack area, a data buffer, a branch destination of vector interrupt processing, and a DMA transfer destination/transfer source to the area FFE20H to FFEDFH when performing self-programming and rewriting the data flash memory.**

<R> **3. Use of the RAM areas of the following products is prohibited when performing self-programming and rewriting the data flash memory, because these areas are used for each library.**

R5F10Rx8 (x = B, F, G, J) : FFB00H to FFC89H

R5F10RxA (x = B, F, G, J, L) : FFB00H to FFC89H

R5F10RxC (x = B, F, G, J, L) : FF900H to FFC89H

3.1.4 Special function register (SFR) area

On-chip peripheral hardware special function registers (SFRs) are allocated in the area FFF00H to FFFFFH (see **Table 3-5 in 3.2.4 Special function registers (SFRs)**).

Caution Do not access addresses to which SFRs are not assigned.

3.1.5 Extended special function register (2nd SFR: 2nd Special Function Register) area

On-chip peripheral hardware special function registers (2nd SFRs) are allocated in the area F0000H to F07FFH (see **Table 3-6 in 3.2.5 Extended special function registers (2nd SFRs: 2nd Special Function Registers)**).

SFRs other than those in the SFR area (FFF00H to FFFFFH) are allocated to this area. An instruction that accesses the extended SFR area, however, is 1 byte longer than an instruction that accesses the SFR area.

Caution Do not access addresses to which extended SFRs are not assigned.

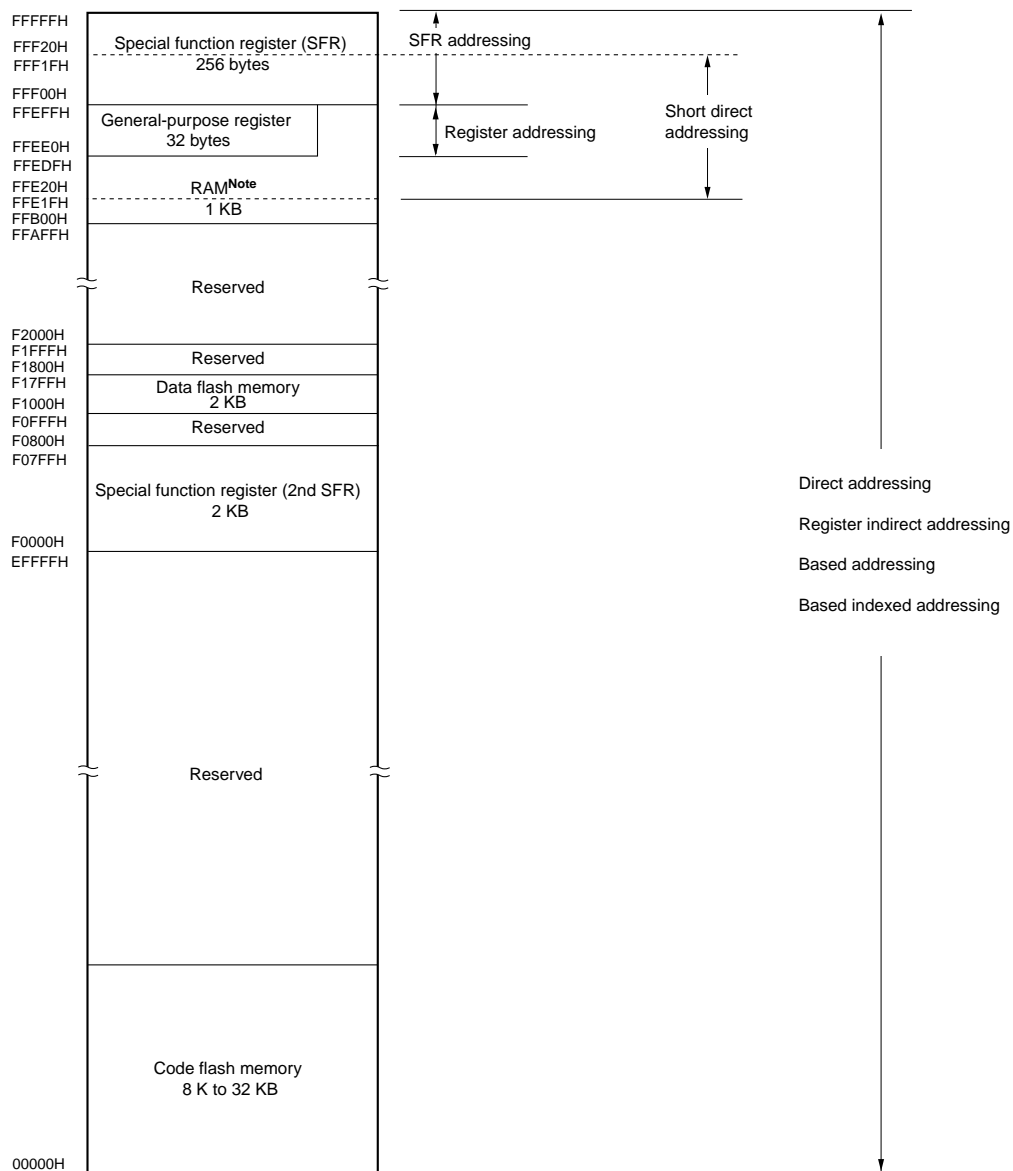
3.1.6 Data memory addressing

Addressing refers to the method of specifying the address of the instruction to be executed next or the address of the register or memory relevant to the execution of instructions.

Several addressing modes are provided for addressing the memory relevant to the execution of instructions for the RL78/L12, based on operability and other considerations. In particular, special addressing methods designed for the functions of the special function registers (SFR) and general-purpose registers are available for use. Figure 3-5 shows correspondence between data memory and addressing. For details of each addressing, see **3.4 Addressing for Processing Data Addresses**.

<R>

Figure 3-5. Correspondence Between Data Memory and Addressing



3.2 Processor Registers

The RL78/L12 products incorporate the following processor registers.

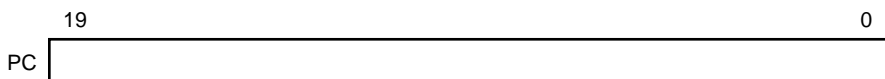
3.2.1 Control registers

The control registers control the program sequence, statuses and stack memory. The control registers consist of a program counter (PC), a program status word (PSW) and a stack pointer (SP).

(1) Program counter (PC)

The program counter is a 20-bit register that holds the address information of the next program to be executed. In normal operation, PC is automatically incremented according to the number of bytes of the instruction to be fetched. When a branch instruction is executed, immediate data and register contents are set. Reset signal generation sets the reset vector table values at addresses 0000H and 0001H to the 16 lower-order bits of the program counter. The four higher-order bits of the program counter are cleared to 0000.

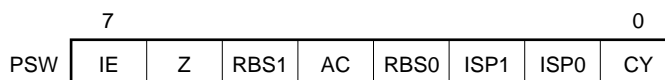
Figure 3-6. Format of Program Counter



(2) Program status word (PSW)

The program status word is an 8-bit register consisting of various flags set/reset by instruction execution. Program status word contents are stored in the stack area upon vectored interrupt request is acknowledged or PUSH PSW instruction execution and are restored upon execution of the RETB, RETI and POP PSW instructions. Reset signal generation sets the PSW register to 06H.

Figure 3-7. Format of Program Status Word



(a) Interrupt enable flag (IE)

This flag controls the interrupt request acknowledge operations of the CPU. When 0, the IE flag is set to the interrupt disabled (DI) state, and all maskable interrupt requests are disabled. When 1, the IE flag is set to the interrupt enabled (EI) state and maskable interrupt request acknowledgment is controlled with an in-service priority flag (ISP1, ISP0), an interrupt mask flag for various interrupt sources, and a priority specification flag. The IE flag is reset (0) upon DI instruction execution or interrupt acknowledgment and is set (1) upon EI instruction execution.

(b) Zero flag (Z)

When the operation or comparison result is zero or equal, this flag is set (1). It is reset (0) in all other cases.

(c) Register bank select flags (RBS0, RBS1)

These are 2-bit flags to select one of the four register banks. In these flags, the 2-bit information that indicates the register bank selected by SEL RBn instruction execution is stored.

3.2.2 General-purpose registers

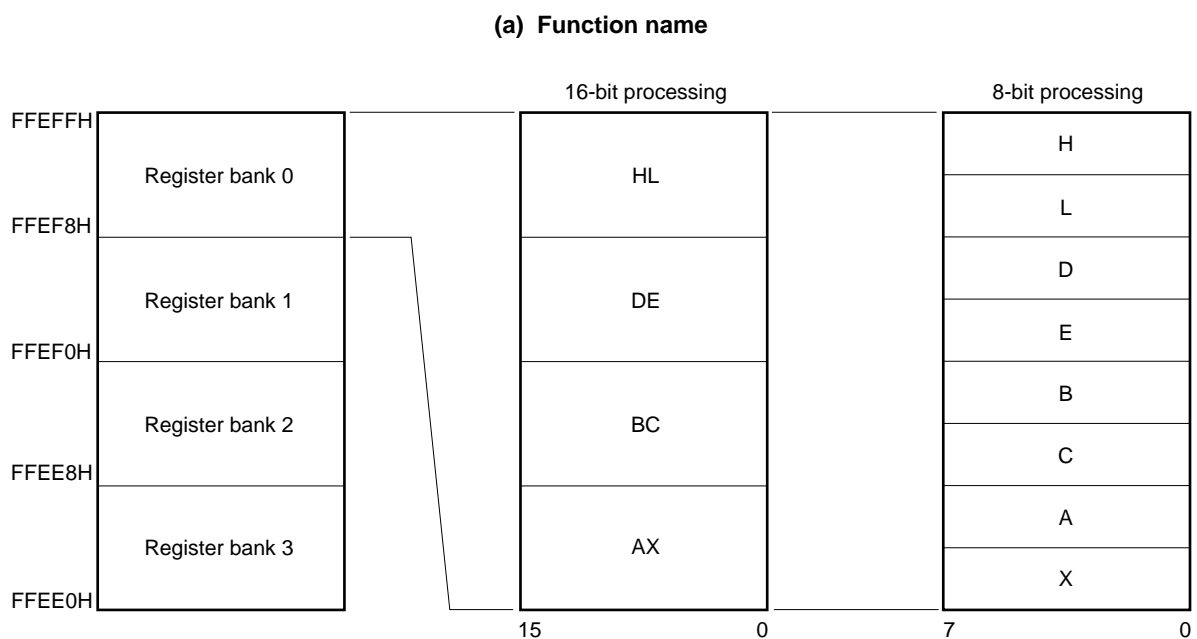
General-purpose registers are mapped at particular addresses (FFEE0H to FFEFFH) of the data memory. The general-purpose registers consists of 4 banks, each bank consisting of eight 8-bit registers (X, A, C, B, E, D, L, and H).

Each register can be used as an 8-bit register, and two 8-bit registers can also be used in a pair as a 16-bit register (AX, BC, DE, and HL).

Register banks to be used for instruction execution are set by the CPU control instruction (SEL RBn). Because of the 4-register bank configuration, an efficient program can be created by switching between a register for normal processing and a register for interrupt processing for each bank.

Caution It is prohibited to use the general-purpose register (FFEE0H to FFEFFH) space for fetching instructions or as a stack area.

Figure 3-9. Configuration of General-Purpose Registers

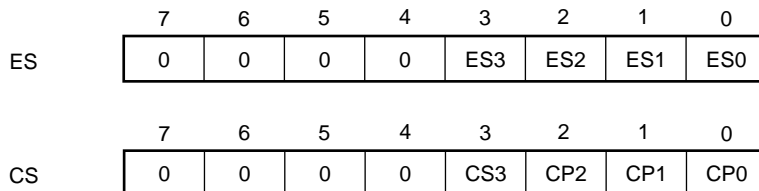


3.2.3 ES and CS registers

The ES register and CS register are used to specify the higher address for data access and when a branch instruction is executed (register direct addressing), respectively.

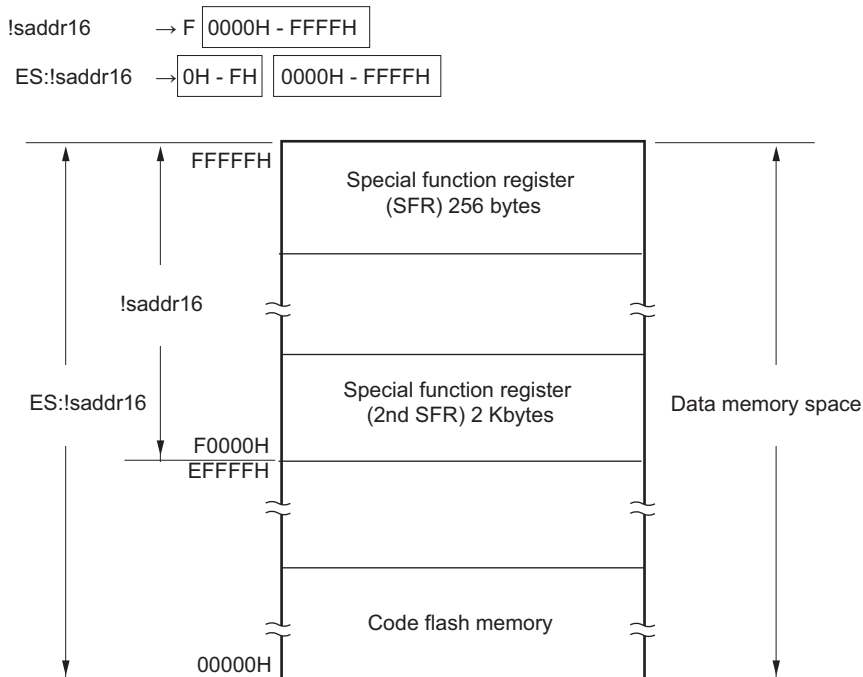
The default value of the ES register after reset is 0FH, and that of the CS register is 00H.

Figure 3-10. Configuration of ES and CS Registers



Though the data area which can be accessed with 16-bit addresses is the 64 Kbytes from F0000H to FFFFFH, using the ES register as well extends this to the 1 Mbyte from 00000H to FFFFFH.

Figure 3-11. Extension of Data Area Which Can Be Accessed



3.2.4 Special function registers (SFRs)

Unlike a general-purpose register, each SFR has a special function.

SFRs are allocated to the FFF00H to FFFFFH area.

SFRs can be manipulated like general-purpose registers, using operation, transfer, and bit manipulation instructions. The manipulable bit units, 1, 8, and 16, depend on the SFR type.

Each manipulation bit unit can be specified as follows.

- 1-bit manipulation

Describe as follows for the 1-bit manipulation instruction operand (sfr.bit).

When the bit name is defined: <Bit name>

When the bit name is not defined: <Register name>.<Bit number> or <Address>.<Bit number>

- 8-bit manipulation

Describe the symbol defined by the assembler for the 8-bit manipulation instruction operand (sfr). This manipulation can also be specified with an address.

- 16-bit manipulation

Describe the symbol defined by the assembler for the 16-bit manipulation instruction operand (sfrp). When specifying an address, describe an even address.

Table 3-5 gives a list of the SFRs. The meanings of items in the table are as follows.

- Symbol

Symbol indicating the address of a special function register. It is a reserved word in the assembler, and is defined as an sfr variable using the #pragma sfr directive in the compiler. When using the assembler, debugger, and simulator, symbols can be written as an instruction operand.

- R/W

Indicates whether the corresponding SFR can be read or written.

R/W: Read/write enable

R: Read only

W: Write only

- Manipulable bit units

“√” indicates the manipulable bit unit (1, 8, or 16). “–” indicates a bit unit for which manipulation is not possible.

- After reset

Indicates each register status upon reset signal generation.

Caution Do not access addresses to which extended SFRs are not assigned.

Remark For extended SFRs (2nd SFRs), see 3.2.5 Extended special function registers (2nd SFRs: 2nd Special Function Registers).

Table 3-5. SFR List (1/4)

Address	Special Function Register (SFR) Name	Symbol		R/W	Manipulable Bit Range			After Reset
					1-bit	8-bit	16-bit	
FFF01H	Port register 1	P1		R/W	√	√	–	00H
FFF02H	Port register 2	P2		R/W	√	√	–	00H
FFF03H	Port register 3	P3		R/W	√	√	–	00H
FFF04H	Port register 4	P4		R/W	√	√	–	00H
FFF05H	Port register 5	P5		R/W	√	√	–	00H
FFF06H	Port register 6	P6		R/W	√	√	–	00H
FFF07H	Port register 7	P7		R/W	√	√	–	00H
FFF0CH	Port register 12	P12		R/W	√	√	–	Undefined
FFF0DH	Port register 13	P13		R/W	√	√	–	Undefined
FFF0EH	Port register 14	P14		R/W	√	√	–	00H
FFF10H	Serial data register 00	TXD0/ SIO00	SDR00	R/W	–	√	√	0000H
FFF11H		–			–	–		
FFF12H	Serial data register 01	RXD0/ SIO01	SDR01	R/W	–	√	√	0000H
FFF13H		–			–	–		
FFF18H	Timer data register 00	TDR00		R/W	–	–	√	0000H
FFF19H								
FFF1AH	Timer data register 01	TDR01L	TDR01	R/W	–	√	√	00H
FFF1BH		TDR01H			–	√	00H	
FFF1EH	10-bit A/D conversion result register	ADCR		R	–	–	√	0000H
FFF1FH	8-bit A/D conversion result register	ADCRH		R	–	√	–	00H
FFF21H	Port mode register 1	PM1		R/W	√	√	–	FFH
FFF22H	Port mode register 2	PM2		R/W	√	√	–	FFH
FFF23H	Port mode register 3	PM3		R/W	√	√	–	FFH
FFF24H	Port mode register 4	PM4		R/W	√	√	–	FFH
FFF25H	Port mode register 5	PM5		R/W	√	√	–	FFH
FFF26H	Port mode register 6	PM6		R/W	√	√	–	FFH
FFF27H	Port mode register 7	PM7		R/W	√	√	–	FFH
FFF2CH	Port mode register 12	PM12		R/W	√	√	–	FFH
FFF2EH	Port mode register 14	PM14		R/W	√	√	–	FFH
FFF30H	A/D converter mode register 0	ADM0		R/W	√	√	–	00H
FFF31H	Analog input channel specification register	ADS		R/W	√	√	–	00H
FFF32H	A/D converter mode register 1	ADM1		R/W	√	√	–	00H
FFF34H	Key return control register	KRCTL		R/W	√	√	–	00H
FFF35H	Key return flag register	KRF		R/W	–	√	–	00H
FFF37H	Key return mode register 0	KRM0		R/W	√	√	–	00H

Table 3-5. SFR List (2/4)

Address	Special Function Register (SFR) Name	Symbol		R/W	Manipulable Bit Range			After Reset
					1-bit	8-bit	16-bit	
FFF38H	External interrupt rising edge enable register 0	EGP0		R/W	√	√	–	00H
FFF39H	External interrupt falling edge enable register 0	EGN0		R/W	√	√	–	00H
FFF40H	LCD mode register 0	LCDM0		R/W	–	√	–	00H
FFF41H	LCD mode register 1	LCDM1		R/W	√	√	–	00H
FFF42H	LCD clock control register	LCDC0		R/W	–	√	–	00H
FFF43H	LCD boost level control register	VLCD		R/W	–	√	–	04H
FFF50H	IICA shift register 0	IICA0		R/W	–	√	–	00H
FFF51H	IICA status register 0	IICS0		R	√	√	–	00H
FFF52H	IICA flag register 0	IICF0		R/W	√	√	–	00H
FFF64H	Timer data register 02	TDR02		R/W	–	–	√	0000H
FFF65H								
FFF66H	Timer data register 03	TDR03L	TDR03	R/W	–	√	√	00H
FFF67H		TDR03H						00H
FFF68H	Timer data register 04	TDR04		R/W	–	–	√	0000H
FFF69H								
FFF6AH	Timer data register 05	TDR05		R/W	–	–	√	0000H
FFF6BH								
FFF6CH	Timer data register 06	TDR06		R/W	–	–	√	0000H
FFF6DH								
FFF6EH	Timer data register 07	TDR07		R/W	–	–	√	0000H
FFF6FH								
FFF90H	Interval timer control register	ITMC		R/W	–	–	√	0FFFH
FFF91H								
FFF92H	Second count register	SEC ^{Note 2}		R/W	–	√	–	00H
FFF93H	Minute count register	MIN ^{Note 2}		R/W	–	√	–	00H
FFF94H	Hour count register	HOUR ^{Note 2}		R/W	–	√	–	12H ^{Note 1}
FFF95H	Week count register	WEEK ^{Note 2}		R/W	–	√	–	00H
FFF96H	Day count register	DAY ^{Note 2}		R/W	–	√	–	01H

Notes 1. The value of this register is 00H if the AMPM bit (bit 3 of real-time clock control register 0 (RTCC0)) is set to 1 after reset.

2. 44-, 48-, 52-, and 64-pin product only

<R>

Table 3-5. SFR List (3/4)

Address	Special Function Register (SFR) Name	Symbol	R/W	Manipulable Bit Range			After Reset
				1-bit	8-bit	16-bit	
FFF97H	Month count register	MONTH ^{Note 3}	R/W	–	√	–	01H
FFF98H	Year count register	YEAR ^{Note 3}	R/W	–	√	–	00H
FFF99H	Watch error correction register	SUBCUD ^{Note 3}	R/W	–	√	–	00H
FFF9AH	Alarm minute register	ALARMWM ^{Note 3}	R/W	–	√	–	00H
FFF9BH	Alarm hour register	ALARMWH ^{Note 3}	R/W	–	√	–	12H
FFF9CH	Alarm week register	ALARMWW ^{Note 3}	R/W	–	√	–	00H
FFF9DH	Real-time clock control register 0	RTCC0	R/W	√	√	–	00H
FFF9EH	Real-time clock control register 1	RTCC1 ^{Note 3}	R/W	√	√	–	00H
FFFA0H	Clock operation mode control register	CMC	R/W	–	√	–	00H
FFFA1H	Clock operation status control register	CSC	R/W	√	√	–	C0H
FFFA2H	Oscillation stabilization time counter status register	OSTC	R	√	√	–	00H
FFFA3H	Oscillation stabilization time select register	OSTS	R/W	–	√	–	07H
FFFA4H	System clock control register	CKC	R/W	√	√	–	00H
FFFA5H	Clock output select register 0	CKS0	R/W	√	√	–	00H
FFFA6H	Clock output select register 1	CKS1 ^{Note 3}	R/W	√	√	–	00H
FFFA8H	Reset control flag register	RESF	R	–	√	–	Undefined ^{Note 1}
FFFA9H	Voltage detection register	LVIM	R/W	√	√	–	00H ^{Note 1}
FFFAAH	Voltage detection level register	LVIS	R/W	√	√	–	00H/01H/81H ^{Note 1}
FFFABH	Watchdog timer enable register	WDTE	R/W	–	√	–	1AH/9AH ^{Note 2}
FFFACH	CRC input register	CRCIN	R/W	–	√	–	00H
FFFB0H	DMA SFR address register 0	DSA0	R/W	–	√	–	00H
FFFB1H	DMA SFR address register 1	DSA1	R/W	–	√	–	00H
FFFB2H	DMA RAM address register 0L	DRA0L	DRA0	R/W	–	√	00H
FFFB3H	DMA RAM address register 0H	DRA0H		R/W	–	√	
FFFB4H	DMA RAM address register 1L	DRA1L	DRA1	R/W	–	√	00H
FFFB5H	DMA RAM address register 1H	DRA1H		R/W	–	√	
FFFB6H	DMA byte count register 0L	DBC0L	DBC0	R/W	–	√	00H
FFFB7H	DMA byte count register 0H	DBC0H		R/W	–	√	
FFFB8H	DMA byte count register 1L	DBC1L	DBC1	R/W	–	√	00H
FFFB9H	DMA byte count register 1H	DBC1H		R/W	–	√	
FFBBAH	DMA mode control register 0	DMC0	R/W	√	√	–	00H
FFBBBH	DMA mode control register 1	DMC1	R/W	√	√	–	00H
FFB BCH	DMA operation control register 0	DRC0	R/W	√	√	–	00H
FFBDH	DMA operation control register 1	DRC1	R/W	√	√	–	00H

(Notes are listed on the next page.)

<R> **Notes 1.** The reset values of the registers vary depending on the reset source as shown below.

Reset Source		$\overline{\text{RESET}}$ Input	Reset by POR	Reset by Execution of Illegal Instruction	Reset by WDT	Reset by RAM parity error	Reset by illegal-memory access	Reset by LVD	
RESF	TRAP bit	Cleared (0)		Set (1)	Held			Held	
	WDTRF bit			Held	Set (1)	Held			
	RPERF bit			Held		Set (1)	Held		
	IAWRF bit			Held			Set (1)		
	LVIRF bit			Held					
LVIM	LVISEN bit	Cleared (0)						Held	
	LVIOMSK bit	Held							
	LVIF bit								
LVIS		Cleared (00H/01H/81H)							

2. The reset value of the WDTE register is determined by the setting of the option byte.
3. 44-, 48-, 52-, and 64-pin product only

Table 3-5. SFR List (4/4)

Address	Special Function Register (SFR) Name	Symbol		R/W	Manipulable Bit Range			After Reset
					1-bit	8-bit	16-bit	
FFFD0H	Interrupt request flag register 2L	IF2L	IF2	R/W	√	√	√	00H
FFFD4H	Interrupt mask flag register 2L	MK2L	MK2	R/W	√	√	√	FFH
FFFD8H	Priority specification flag register 02L	PR02L	PR02	R/W	√	√	√	FFH
FFFDCH	Priority specification flag register 12L	PR12L	PR12	R/W	√	√	√	FFH
FFFE0H	Interrupt request flag register 0L	IF0L	IF0	R/W	√	√	√	00H
FFFE1H	Interrupt request flag register 0H	IF0H		R/W	√	√		00H
FFFE2H	Interrupt request flag register 1L	IF1L	IF1	R/W	√	√	√	00H
FFFE3H	Interrupt request flag register 1H	IF1H		R/W	√	√		00H
FFFE4H	Interrupt mask flag register 0L	MK0L	MK0	R/W	√	√	√	FFH
FFFE5H	Interrupt mask flag register 0H	MK0H		R/W	√	√		FFH
FFFE6H	Interrupt mask flag register 1L	MK1L	MK1	R/W	√	√	√	FFH
FFFE7H	Interrupt mask flag register 1H	MK1H		R/W	√	√		FFH
FFFE8H	Priority specification flag register 00L	PR00L	PR00	R/W	√	√	√	FFH
FFFE9H	Priority specification flag register 00H	PR00H		R/W	√	√		FFH
FFFEAH	Priority specification flag register 01L	PR01L	PR01	R/W	√	√	√	FFH
FFFEBH	Priority specification flag register 01H	PR01H		R/W	√	√		FFH
FFFECH	Priority specification flag register 10L	PR10L	PR10	R/W	√	√	√	FFH
FFFEDH	Priority specification flag register 10H	PR10H		R/W	√	√		FFH
FFFEEH	Priority specification flag register 11L	PR11L	PR11	R/W	√	√	√	FFH
FFFEFH	Priority specification flag register 11H	PR11H		R/W	√	√		FFH
FFFF0H	Multiplication/division data register A (L)	MDAL		R/W	-	-	√	0000H
FFFF1H								
FFFF2H	Multiplication/division data register A (H)	MDAH		R/W	-	-	√	0000H
FFFF3H								
FFFF4H	Multiplication/division data register B (H)	MDBH		R/W	-	-	√	0000H
FFFF5H								
FFFF6H	Multiplication/division data register B (L)	MDBL		R/W	-	-	√	0000H
FFFF7H								
FFFFEH	Processor mode control register	PMC		R/W	√	√	-	00H

Remark For extended SFRs (2nd SFRs), see **Table 3-6 Extended SFR (2nd SFR) List**.

3.2.5 Extended special function registers (2nd SFRs: 2nd Special Function Registers)

Unlike a general-purpose register, each extended SFR (2nd SFR) has a special function.

Extended SFRs are allocated to the F0000H to F07FFH area. SFRs other than those in the SFR area (FFF00H to FFFFFH) are allocated to this area. An instruction that accesses the extended SFR area, however, is 1 byte longer than an instruction that accesses the SFR area.

Extended SFRs can be manipulated like general-purpose registers, using operation, transfer, and bit manipulation instructions. The manipulable bit units, 1, 8, and 16, depend on the SFR type.

Each manipulation bit unit can be specified as follows.

- 1-bit manipulation
Describe as follows for the 1-bit manipulation instruction operand (!addr16.bit)
When the bit name is defined: <Bit name>
When the bit name is not defined: <Register name>.<Bit number> or <Address>.<Bit number>
- 8-bit manipulation
Describe the symbol defined by the assembler for the 8-bit manipulation instruction operand (!addr16). This manipulation can also be specified with an address.
- 16-bit manipulation
Describe the symbol defined by the assembler for the 16-bit manipulation instruction operand (!addr16). When specifying an address, describe an even address.

Table 3-6 gives a list of the extended SFRs. The meanings of items in the table are as follows.

- Symbol
Symbol indicating the address of an extended SFR. It is a reserved word in the assembler, and is defined as an sfr variable using the #pragma sfr directive in the compiler. When using the assembler, debugger, and simulator, symbols can be written as an instruction operand.
- R/W
Indicates whether the corresponding extended SFR can be read or written.
R/W: Read/write enable
R: Read only
W: Write only
- Manipulable bit units
“√” indicates the manipulable bit unit (1, 8, or 16). “–” indicates a bit unit for which manipulation is not possible.
- After reset
Indicates each register status upon reset signal generation.

Caution Do not access addresses to which extended SFRs (2nd SFRs) are not assigned.

Remark For SFRs in the SFR area, see 3.2.4 Special function registers (SFRs).

Table 3-6. Extended SFR (2nd SFR) List (1/6)

Address	Special Function Register (SFR) Name	Symbol	R/W	Manipulable Bit Range			After Reset
				1-bit	8-bit	16-bit	
F0010H	A/D converter mode register 2	ADM2	R/W	√	√	–	00H
F0011H	Conversion result comparison upper limit setting register	ADUL	R/W	–	√	–	FFH
F0012H	Conversion result comparison lower limit setting register	ADLL	R/W	–	√	–	00H
F0013H	A/D test register	ADTES	R/W	–	√	–	00H
F0031H	Pull-up resistor option register 1	PU1	R/W	√	√	–	00H
F0033H	Pull-up resistor option register 3	PU3	R/W	√	√	–	00H
F0034H	Pull-up resistor option register 4	PU4	R/W	√	√	–	01H
F0035H	Pull-up resistor option register 5	PU5	R/W	√	√	–	00H
F0037H	Pull-up resistor option register 7	PU7	R/W	√	√	–	00H
F003CH	Pull-up resistor option register 12	PU12	R/W	√	√	–	00H
F003EH	Pull-up resistor option register 14	PU14	R/W	√	√	–	00H
F0041H	Port input mode register 1	PIM1	R/W	√	√	–	00H
F0051H	Port output mode register 1	POM1	R/W	√	√	–	00H
F0061H	Port mode control register 1	PMC1	R/W	√	√	–	FFH
F0064H	Port mode control register 4	PMC4	R/W	√	√	–	FFH
F006CH	Port mode control register 12	PMC12	R/W	√	√	–	FFH
F006EH	Port mode control register 14	PMC14	R/W	√	√	–	FFH
F0070H	Noise filter enable register 0	NFEN0	R/W	√	√	–	00H
F0071H	Noise filter enable register 1	NFEN1	R/W	√	√	–	00H
F0073H	Input switch control register	ISC	R/W	√	√	–	00H
F0074H	Timer input select register 0	TIS0	R/W	–	√	–	00H
F0076H	A/D port configuration register	ADPC	R/W	–	√	–	00H
F0077H	Peripheral I/O redirection register	PIOR	R/W	–	√	–	00H
F0078H	Invalid memory access detection control register	IAWCTL	R/W	–	√	–	00H
F0079H	Timer output select register ^{Note 2}	TOS	R/W	√	√	–	00H
F0090H	Data flash control register	DFLCTL	R/W	√	√	–	00H
F00A0H	High-speed on-chip oscillator trimming register	HIOTRM	R/W	–	√	–	Undefined ^{Note 1}
<R> F00A8H	High-speed on-chip oscillator frequency select register	HOCODIV	R/W	–	√	–	Undefined

Notes 1. The value after a reset is adjusted at the time of shipment.

2. 44-, 48-, 52-, and 64-pin product only.

<R> 3. The value after a reset is a value set in FRQSEL2 to FRQSEL0 of the option byte (000C2H).

Table 3-6. Extended SFR (2nd SFR) List (2/6)

Address	Special Function Register (SFR) Name	Symbol		R/W	Manipulable Bit Range			After Reset
					1-bit	8-bit	16-bit	
F00E0H	Multiplication/division data register C (L)	MDCL		R/W	–	–	√	0000H
F00E2H	Multiplication/division data register C (H)	MDCH		R/W	–	–	√	0000H
F00E8H	Multiplication/division control register	MDUC		R/W	√	√	–	00H
F00F0H	Peripheral enable register 0	PER0		R/W	√	√	–	00H
F00F3H	Subsystem clock supply mode control register	OSMC		R/W	–	√	–	00H
F00F5H	RAM parity error control register	RPECTL		R/W	√	√	–	00H
F00FEH	BCD adjust result register	BCDADJ		R	–	√	–	Undefined
F0100H	Serial status register 00	SSR00L	SSR00	R	–	√	√	0000H
F0101H		–	–		–	–		
F0102H	Serial status register 01	SSR01L	SSR01	R	–	√	√	0000H
F0103H		–	–		–	–		
F0108H	Serial flag clear trigger register 00	SIR00L	SIR00	R/W	–	√	√	0000H
F0109H		–	–		–	–		
F010AH	Serial flag clear trigger register 01	SIR01L	SIR01	R/W	–	√	√	0000H
F010BH		–	–		–	–		
F0110H	Serial mode register 00	SMR00		R/W	–	–	√	0020H
F0111H		–	–		–	–		
F0112H	Serial mode register 01	SMR01		R/W	–	–	√	0020H
F0113H		–	–		–	–		
F0118H	Serial communication operation setting register 00	SCR00		R/W	–	–	√	0087H
F0119H		–	–		–	–		
F011AH	Serial communication operation setting register 01	SCR01		R/W	–	–	√	0087H
F011BH		–	–		–	–		
F0120H	Serial channel enable status register 0	SE0L	SE0	R	√	√	√	0000H
F0121H		–	–		–	–		
F0122H	Serial channel start register 0	SS0L	SS0	R/W	√	√	√	0000H
F0123H		–	–		–	–		
F0124H	Serial channel stop register 0	ST0L	ST0	R/W	√	√	√	0000H
F0125H		–	–		–	–		
F0126H	Serial clock select register 0	SPS0L	SPS0	R/W	–	√	√	0000H
F0127H		–	–		–	–		
F0128H	Serial output register 0	SO0		R/W	–	–	√	0303H
F0129H		–	–		–	–		
F012AH	Serial output enable register 0	SOE0L	SOE0	R/W	√	√	√	0000H
F012BH		–	–		–	–		
F0134H	Serial output level register 0	SOL0L	SOLO	R/W	–	√	√	0000H
F0135H		–	–		–	–		
F0138H	Serial standby control register 0	SSC0L	SSC0	R/W	–	√	√	0000H
F0139H		–	–		–	–		

Table 3-6. Extended SFR (2nd SFR) List (3/6)

Address	Special Function Register (SFR) Name	Symbol	R/W	Manipulable Bit Range			After Reset
				1-bit	8-bit	16-bit	
F0180H	Timer counter register 00	TCR00	R	–	–	√	FFFFH
F0181H							
F0182H	Timer counter register 01	TCR01	R	–	–	√	FFFFH
F0183H							
F0184H	Timer counter register 02	TCR02	R	–	–	√	FFFFH
F0185H							
F0186H	Timer counter register 03	TCR03	R	–	–	√	FFFFH
F0187H							
F0188H	Timer counter register 04	TCR04	R	–	–	√	FFFFH
F0189H							
F018AH	Timer counter register 05	TCR05	R	–	–	√	FFFFH
F018BH							
F018CH	Timer counter register 06	TCR06	R	–	–	√	FFFFH
F018DH							
F018EH	Timer counter register 07	TCR07	R	–	–	√	FFFFH
F018FH							
F0190H	Timer mode register 00	TMR00	R/W	–	–	√	0000H
F0191H							
F0192H	Timer mode register 01	TMR01	R/W	–	–	√	0000H
F0193H							
F0194H	Timer mode register 02	TMR02	R/W	–	–	√	0000H
F0195H							
F0196H	Timer mode register 03	TMR03	R/W	–	–	√	0000H
F0197H							
F0198H	Timer mode register 04	TMR04	R/W	–	–	√	0000H
F0199H							
F019AH	Timer mode register 05	TMR05	R/W	–	–	√	0000H
F019BH							
F019CH	Timer mode register 06	TMR06	R/W	–	–	√	0000H
F019DH							
F019EH	Timer mode register 07	TMR07	R/W	–	–	√	0000H
F019FH							

Table 3-6. Extended SFR (2nd SFR) List (4/6)

Address	Special Function Register (SFR) Name	Symbol		R/W	Manipulable Bit Range			After Reset
					1-bit	8-bit	16-bit	
F01A0H	Timer status register 00	TSR00L	TSR00	R	–	√	√	0000H
F01A1H		–			–			
F01A2H	Timer status register 01	TSR01L	TSR01	R	–	√	√	0000H
F01A3H		–			–			
F01A4H	Timer status register 02	TSR02L	TSR02	R	–	√	√	0000H
F01A5H		–			–			
F01A6H	Timer status register 03	TSR03L	TSR03	R	–	√	√	0000H
F01A7H		–			–			
F01A8H	Timer status register 04	TSR04L	TSR04	R	–	√	√	0000H
F01A9H		–			–			
F01AAH	Timer status register 05	TSR05L	TSR05	R	–	√	√	0000H
F01ABH		–			–			
F01ACH	Timer status register 06	TSR06L	TSR06	R	–	√	√	0000H
F01ADH		–			–			
F01AEH	Timer status register 07	TSR07L	TSR07	R	–	√	√	0000H
F01AFH		–			–			
F01B0H	Timer channel enable status register 0	TE0L	TE0	R	√	√	√	0000H
F01B1H		–			–			
F01B2H	Timer channel start register 0	TS0L	TS0	R/W	√	√	√	0000H
F01B3H		–			–			
F01B4H	Timer channel stop register 0	TT0L	TT0	R/W	√	√	√	0000H
F01B5H		–			–			
F01B6H	Timer clock select register 0	TPS0		R/W	–	–	√	0000H
F01B7H								
F01B8H	Timer output register 0	TO0L	TO0	R/W	–	√	√	0000H
F01B9H		–			–			
F01BAH	Timer output enable register 0	TOE0L	TOE0	R/W	√	√	√	0000H
F01BBH		–			–			
F01BCH	Timer output level register 0	TOL0L	TOL0	R/W	–	√	√	0000H
F01BDH		–			–			
F01BEH	Timer output mode register 0	TOM0L	TOM0	R/W	–	√	√	0000H
F01BFH		–			–			
F0230H	IICA control register 00	IICCTL00		R/W	√	√	–	00H
F0231H	IICA control register 01	IICCTL01		R/W	√	√	–	00H
F0232H	IICA low-level width setting register 0	IICWL0		R/W	–	√	–	FFH
F0233H	IICA high-level width setting register 0	IICWHO		R/W	–	√	–	FFH
F0234H	Slave address register 0	SVA0		R/W	–	√	–	00H
F02F0H	Flash memory CRC control register	CRC0CTL		R/W	√	√	–	00H
F02F2H	Flash memory CRC operation result register	PGCRCL		R/W	–	–	√	0000H
F02FAH	CRC data register	CRCD		R/W	–	–	√	0000H

Table 3-6. Extended SFR (2nd SFR) List (5/6)

Address	Special Function Register (SFR) Name	Symbol	R/W	Manipulable Bit Range			After Reset
				1-bit	8-bit	16-bit	
F0300H	LCD port function register 0	PFSEG0	R/W	√	√	–	F0H
F0301H	LCD port function register 1	PFSEG1	R/W	√	√	–	FFH
F0302H	LCD port function register 2	PFSEG2	R/W	√	√	–	FFH
F0303H	LCD port function register 3	PFSEG3	R/W	√	√	–	FFH
F0304H	LCD port function register 4	PFSEG4	R/W	√	√	–	7FH
F0308H	LCD Input switch control register	ISCLCD	R/W	√	√	–	00H
F0400H	LCD display data memory 0	SEG0	R/W	–	√	–	00H
F0401H	LCD display data memory 1	SEG1	R/W	–	√	–	00H
F0402H	LCD display data memory 2	SEG2	R/W	–	√	–	00H
F0403H	LCD display data memory 3	SEG3	R/W	–	√	–	00H
F0404H	LCD display data memory 4	SEG4	R/W	–	√	–	00H
F0405H	LCD display data memory 5	SEG5	R/W	–	√	–	00H
F0406H	LCD display data memory 6	SEG6	R/W	–	√	–	00H
F0407H	LCD display data memory 7	SEG7	R/W	–	√	–	00H
F0408H	LCD display data memory 8	SEG8	R/W	–	√	–	00H
F0409H	LCD display data memory 9	SEG9	R/W	–	√	–	00H
F040AH	LCD display data memory 10	SEG10	R/W	–	√	–	00H
F040BH	LCD display data memory 11	SEG11	R/W	–	√	–	00H
F040CH	LCD display data memory 12	SEG12	R/W	–	√	–	00H
F040DH	LCD display data memory 13	SEG13	R/W	–	√	–	00H
F040EH	LCD display data memory 14	SEG14	R/W	–	√	–	00H
F040FH	LCD display data memory 15	SEG15	R/W	–	√	–	00H
F0410H	LCD display data memory 16	SEG16	R/W	–	√	–	00H
F0411H	LCD display data memory 17	SEG17	R/W	–	√	–	00H
F0412H	LCD display data memory 18	SEG18	R/W	–	√	–	00H
F0413H	LCD display data memory 19	SEG19	R/W	–	√	–	00H
F0414H	LCD display data memory 20	SEG20	R/W	–	√	–	00H
F0415H	LCD display data memory 21	SEG21	R/W	–	√	–	00H
F0416H	LCD display data memory 22	SEG22	R/W	–	√	–	00H
F0417H	LCD display data memory 23	SEG23	R/W	–	√	–	00H
F0418H	LCD display data memory 24	SEG24	R/W	–	√	–	00H
F0419H	LCD display data memory 25	SEG25	R/W	–	√	–	00H

Table 3-6. Extended SFR (2nd SFR) List (6/6)

Address	Special Function Register (SFR) Name	Symbol	R/W	Manipulable Bit Range			After Reset
				1-bit	8-bit	16-bit	
F041AH	LCD display data memory 26	SEG26	R/W	–	√	–	00H
F041BH	LCD display data memory 27	SEG27	R/W	–	√	–	00H
F041CH	LCD display data memory 28	SEG28	R/W	–	√	–	00H
F041DH	LCD display data memory 29	SEG29	R/W	–	√	–	00H
F041EH	LCD display data memory 30	SEG30	R/W	–	√	–	00H
F041FH	LCD display data memory 31	SEG31	R/W	–	√	–	00H
F0420H	LCD display data memory 32	SEG32	R/W	–	√	–	00H
F0421H	LCD display data memory 33	SEG33	R/W	–	√	–	00H
F0422H	LCD display data memory 34	SEG34	R/W	–	√	–	00H
F0423H	LCD display data memory 35	SEG35	R/W	–	√	–	00H
F0424H	LCD display data memory 36	SEG36	R/W	–	√	–	00H
F0425H	LCD display data memory 37	SEG37	R/W	–	√	–	00H
F0426H	LCD display data memory 38	SEG38	R/W	–	√	–	00H

Remark For SFRs in the SFR area, see **Table 3-5 SFR List**.

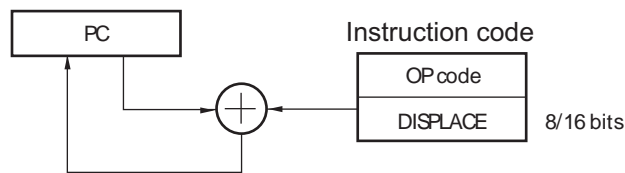
3.3 Instruction Address Addressing

3.3.1 Relative addressing

[Function]

Relative addressing stores in the program counter (PC) the result of adding a displacement value included in the instruction word (signed complement data: -128 to +127 or -32768 to +32767) to the program counter (PC)'s value (the start address of the next instruction), and specifies the program address to be used as the branch destination. Relative addressing is applied only to branch instructions.

Figure 3-12. Outline of Relative Addressing



3.3.2 Immediate addressing

[Function]

Immediate addressing stores immediate data of the instruction word in the program counter, and specifies the program address to be used as the branch destination.

For immediate addressing, CALL !!addr20 or BR !!addr20 is used to specify 20-bit addresses and CALL !addr16 or BR !addr16 is used to specify 16-bit addresses. 0000 is set to the higher 4 bits when specifying 16-bit addresses.

Figure 3-13. Example of CALL !!addr20/BR !!addr20

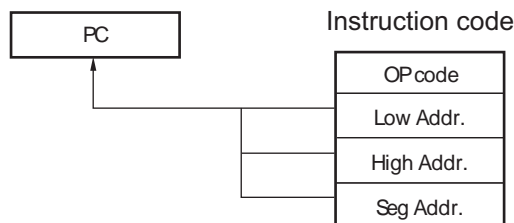
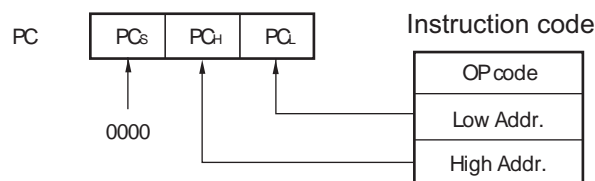


Figure 3-14. Example of CALL !addr16/BR !addr16



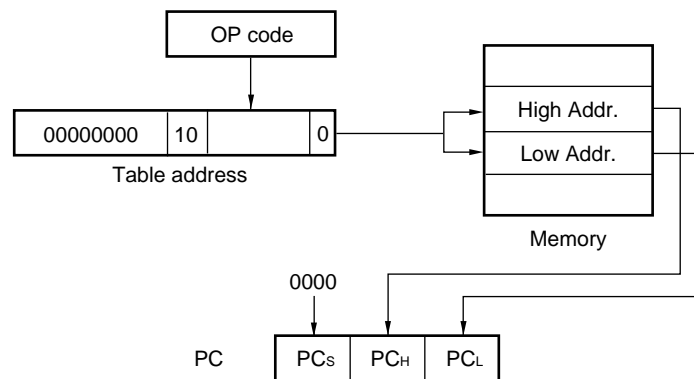
3.3.3 Table indirect addressing

[Function]

Table indirect addressing specifies a table address in the CALLT table area (0080H to 00BFH) with the 5-bit immediate data in the instruction word, stores the contents at that table address and the next address in the program counter (PC) as 16-bit data, and specifies the program address. Table indirect addressing is applied only for CALLT instructions.

In the RL78 microcontrollers, branching is enabled only to the 64 KB space from 00000H to 0FFFFH.

Figure 3-15. Outline of Table Indirect Addressing

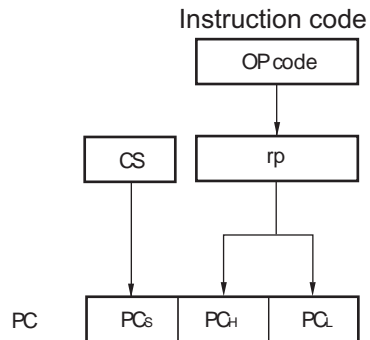


3.3.4 Register direct addressing

[Function]

Register direct addressing stores in the program counter (PC) the contents of a general-purpose register pair (AX/BC/DE/HL) and CS register of the current register bank specified with the instruction word as 20-bit data, and specifies the program address. Register direct addressing can be applied only to the CALL AX, BC, DE, HL, and BR AX instructions.

Figure 3-16. Outline of Register Direct Addressing



3.4 Addressing for Processing Data Addresses

3.4.1 Implied addressing

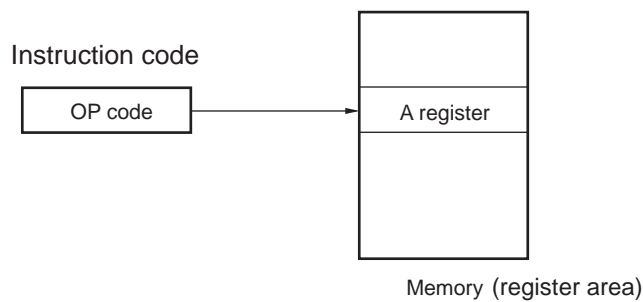
[Function]

Instructions for accessing registers (such as accumulators) that have special functions are directly specified with the instruction word, without using any register specification field in the instruction word.

[Operand format]

Implied addressing can be applied only to MULU X.

Figure 3-17. Outline of Implied Addressing



3.4.2 Register addressing

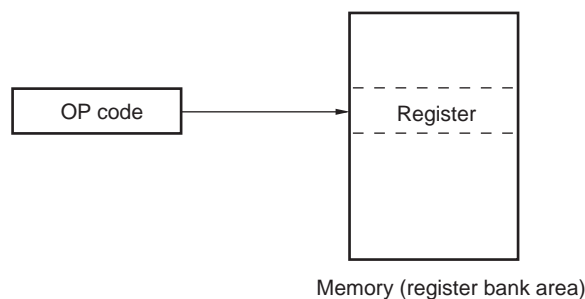
[Function]

Register addressing accesses a general-purpose register as an operand. The instruction word of 3-bit long is used to select an 8-bit register and the instruction word of 2-bit long is used to select a 16-bit register.

[Operand format]

Identifier	Description
r	X, A, C, B, E, D, L, H
rp	AX, BC, DE, HL

Figure 3-18. Outline of Register Addressing



3.4.3 Direct addressing

[Function]

Direct addressing uses immediate data in the instruction word as an operand address to directly specify the target address.

[Operand format]

Identifier	Description
!addr16	Label or 16-bit immediate data (only the space from F0000H to FFFFFH is specifiable)
ES:!addr16	Label or 16-bit immediate data (higher 4-bit addresses are specified by the ES register)

Figure 3-19. Example of ADDR16

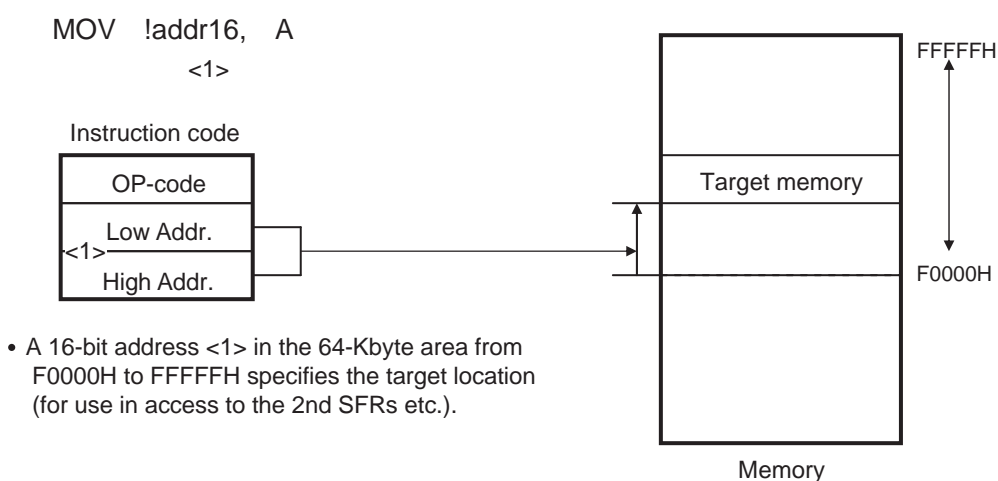
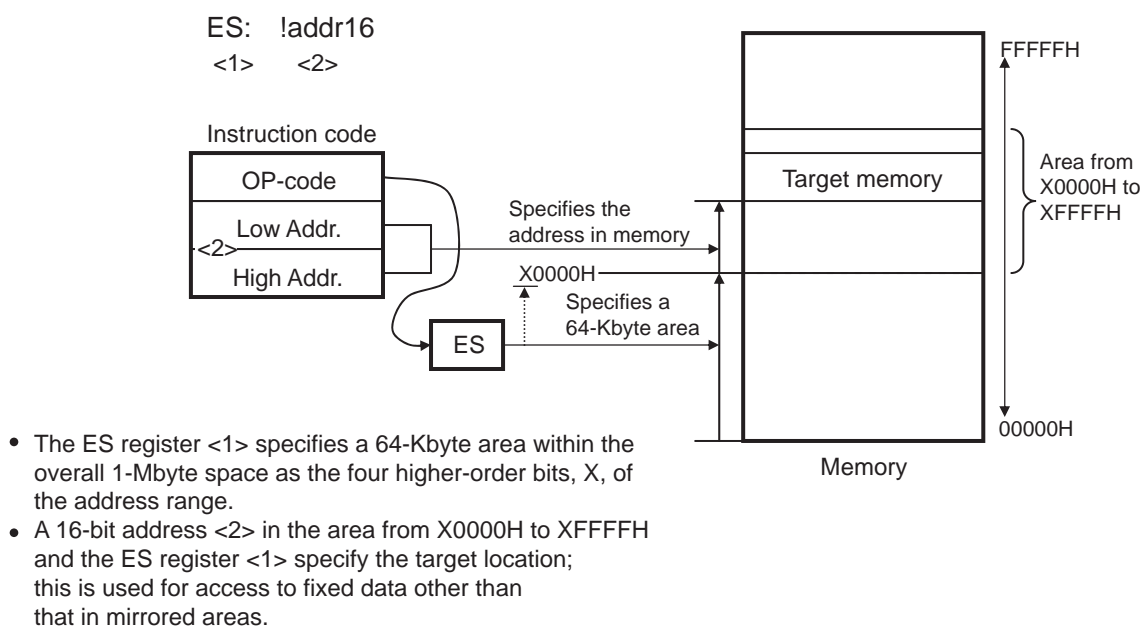


Figure 3-20. Example of ES:ADDR16



3.4.4 Short direct addressing

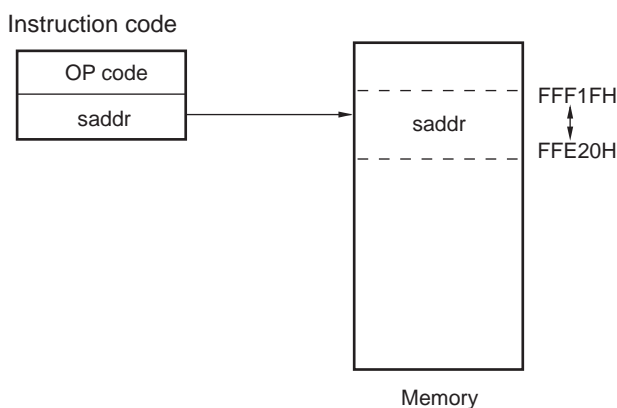
[Function]

Short direct addressing directly specifies the target addresses using 8-bit data in the instruction word. This type of addressing is applied only to the space from FFE20H to FFF1FH.

[Operand format]

Identifier	Description
SADDR	Label, FFE20H to FFF1FH immediate data, or 0FE20H to 0FF1FH immediate data (only the space from FFE20H to FFF1FH is specifiable)
SADDRP	Label, FFE20H to FFF1FH immediate data, or 0FE20H to 0FF1FH immediate data (even address only) (only the space from FFE20H to FFF1FH is specifiable)

Figure 3-21. Outline of Short Direct Addressing



Remark SADDR and SADDRP are used to describe the values of addresses FE20H to FF1FH with 16-bit immediate data (higher 4 bits of actual address are omitted), and the values of addresses FFE20H to FFF1FH with 20-bit immediate data.

Regardless of whether SADDR or SADDRP is used, addresses within the space from FFE20H to FFF1FH are specified for the memory.

3.4.5 SFR addressing

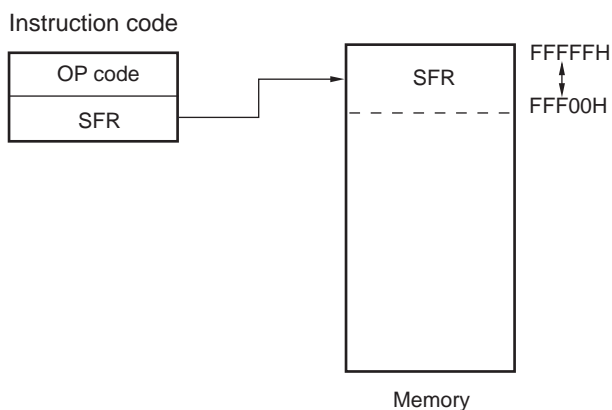
[Function]

SFR addressing directly specifies the target SFR addresses using 8-bit data in the instruction word. This type of addressing is applied only to the space from FFF00H to FFFFFH.

[Operand format]

Identifier	Description
SFR	SFR name
SFRP	16-bit-manipulatable SFR name (even address)

Figure 3-22. Outline of SFR Addressing



3.4.6 Register indirect addressing

[Function]

Register indirect addressing directly specifies the target addresses using the contents of the register pair specified with the instruction word as an operand address.

[Operand format]

Identifier	Description
-	[DE], [HL] (only the space from F0000H to FFFFFH is specifiable)
-	ES:[DE], ES:[HL] (higher 4-bit addresses are specified by the ES register)

Figure 3-23. Example of [DE], [HL]

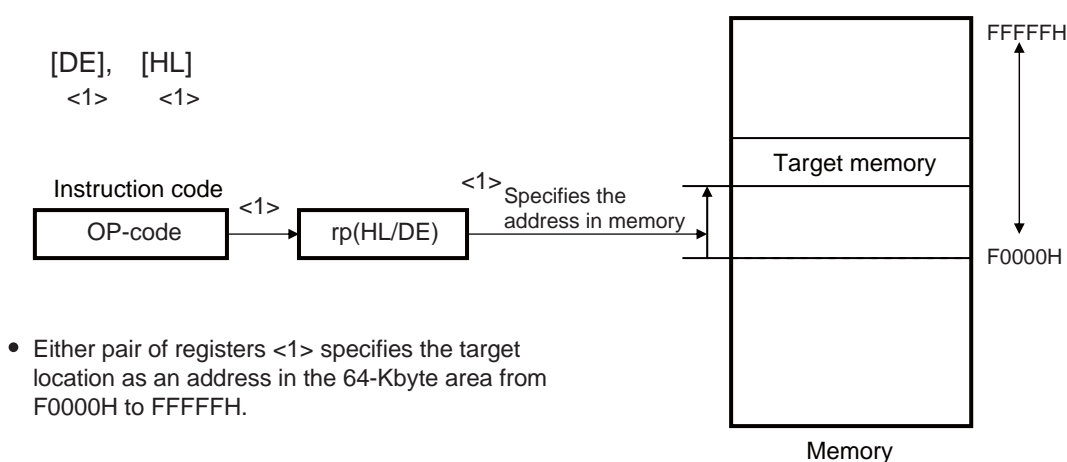
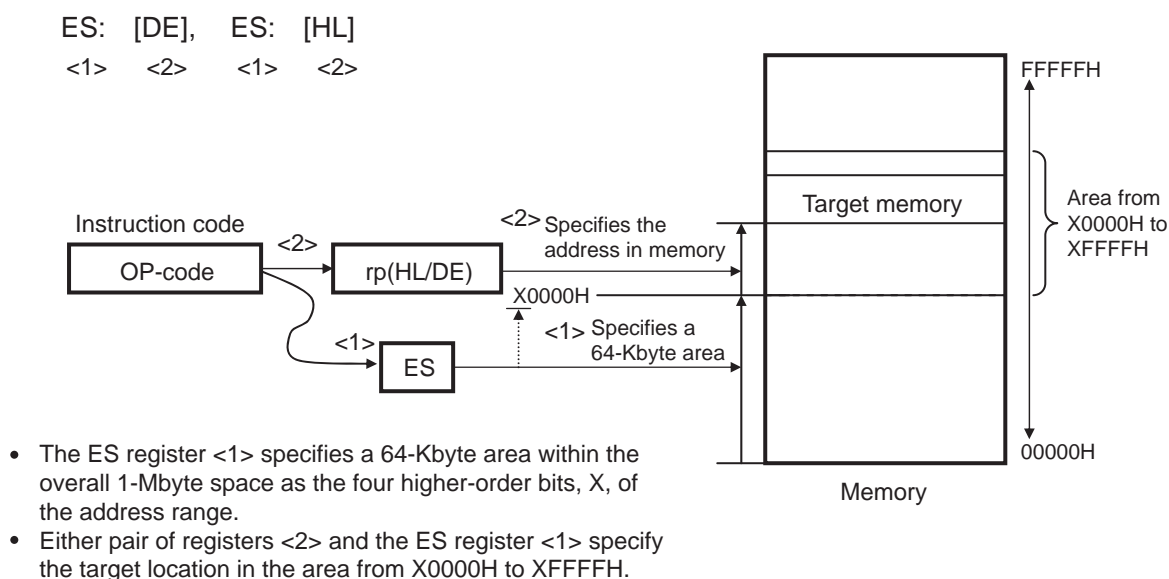


Figure 3-24. Example of ES:[DE], ES:[HL]



3.4.7 Based addressing

[Function]

Based addressing uses the contents of a register pair specified with the instruction word or 16-bit immediate data as a base address, and 8-bit immediate data or 16-bit immediate data as offset data. The sum of these values is used to specify the target address.

[Operand format]

Identifier	Description
-	[HL + byte], [DE + byte], [SP + byte] (only the space from F0000H to FFFFFH is specifiable)
-	word[B], word[C] (only the space from F0000H to FFFFFH is specifiable)
-	word[BC] (only the space from F0000H to FFFFFH is specifiable)
-	ES:[HL + byte], ES:[DE + byte] (higher 4-bit addresses are specified by the ES register)
-	ES:word[B], ES:word[C] (higher 4-bit addresses are specified by the ES register)
-	ES:word[BC] (higher 4-bit addresses are specified by the ES register)

Figure 3-25. Example of [SP+byte]

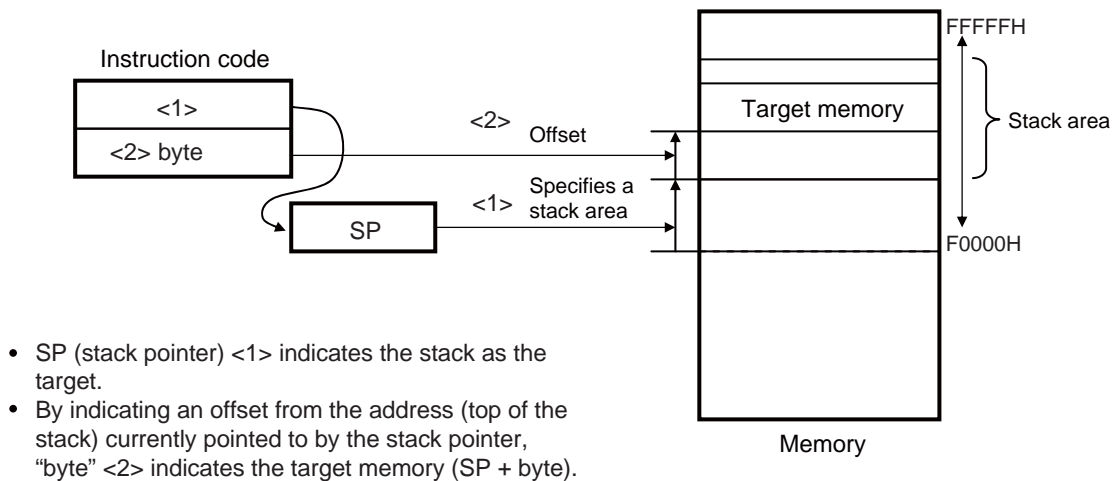
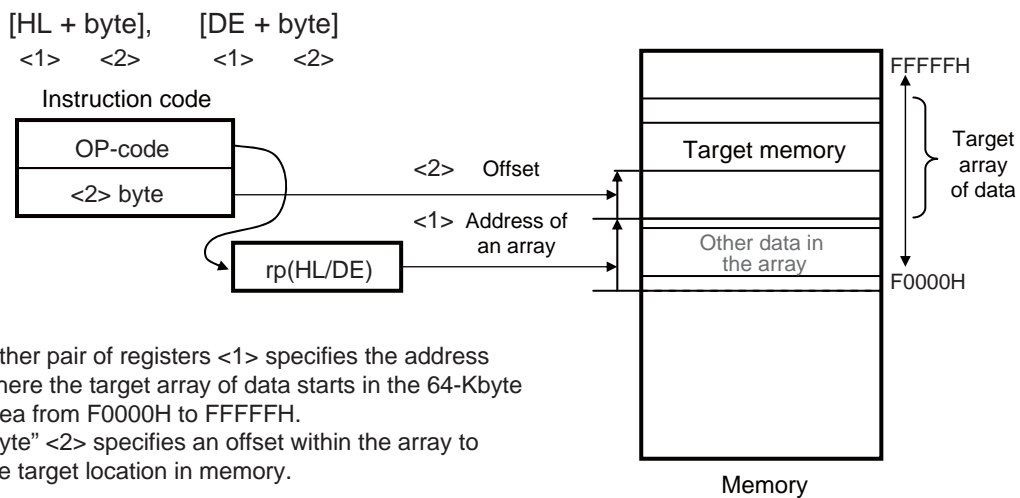
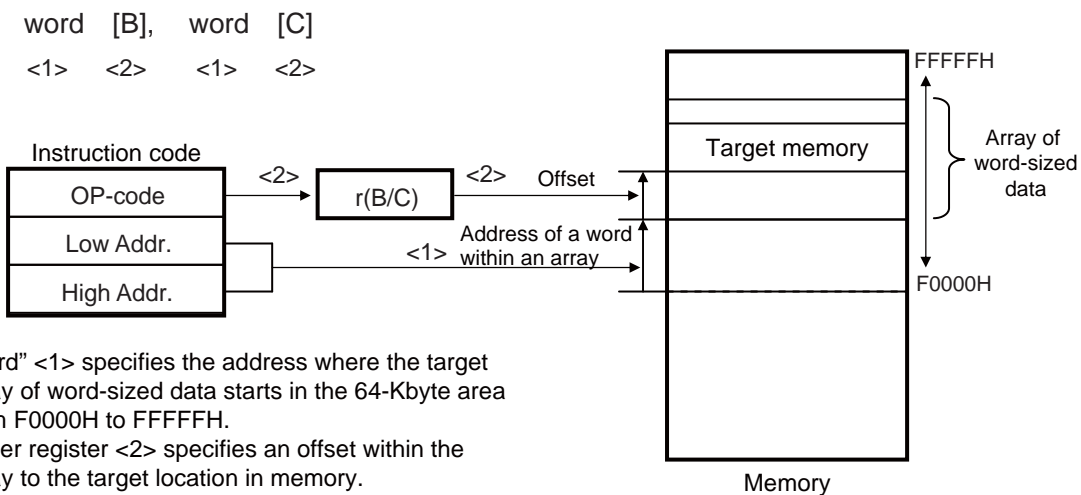


Figure 3-26. Example of [HL + byte], [DE + byte]



- Either pair of registers <1> specifies the address where the target array of data starts in the 64-Kbyte area from F0000H to FFFFFH.
- “byte” <2> specifies an offset within the array to the target location in memory.

Figure 3-27. Example of word[B], word[C]



- “word” <1> specifies the address where the target array of word-sized data starts in the 64-Kbyte area from F0000H to FFFFFH.
- Either register <2> specifies an offset within the array to the target location in memory.

Figure 3-28. Example of word[BC]

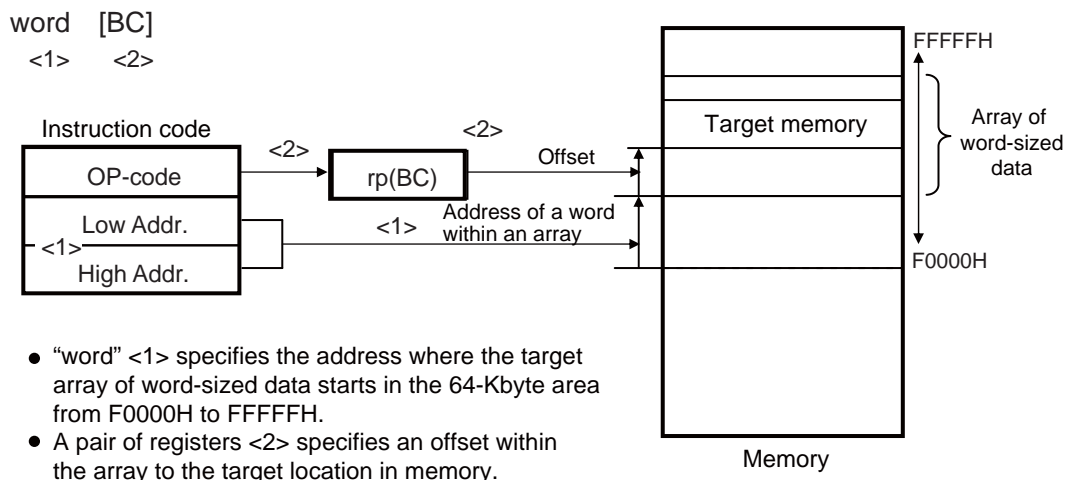


Figure 3-29. Example of ES:[HL + byte], ES:[DE + byte]

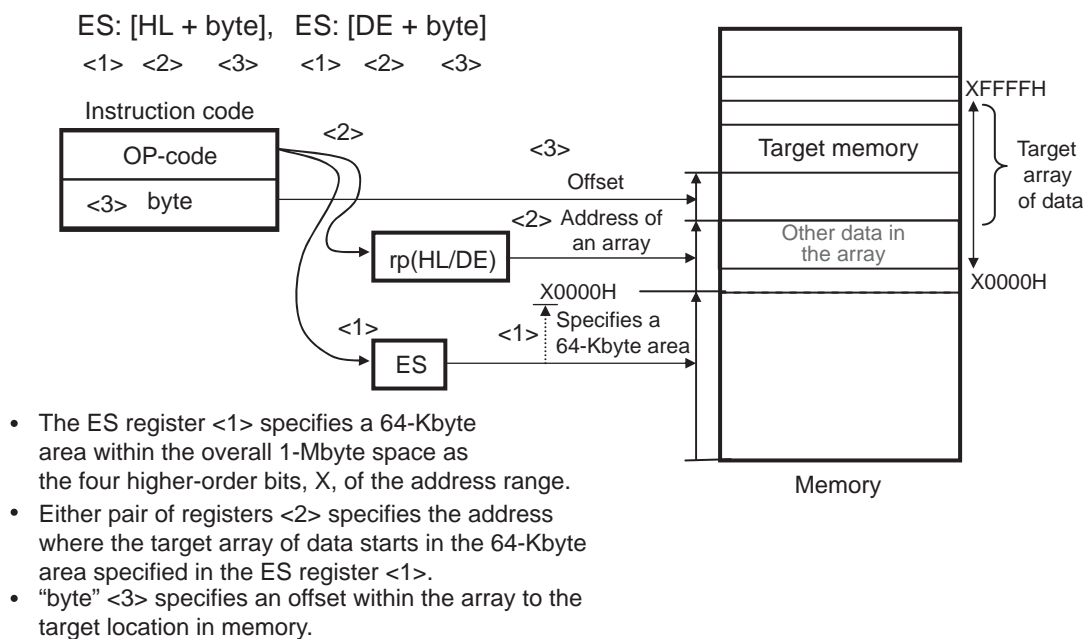
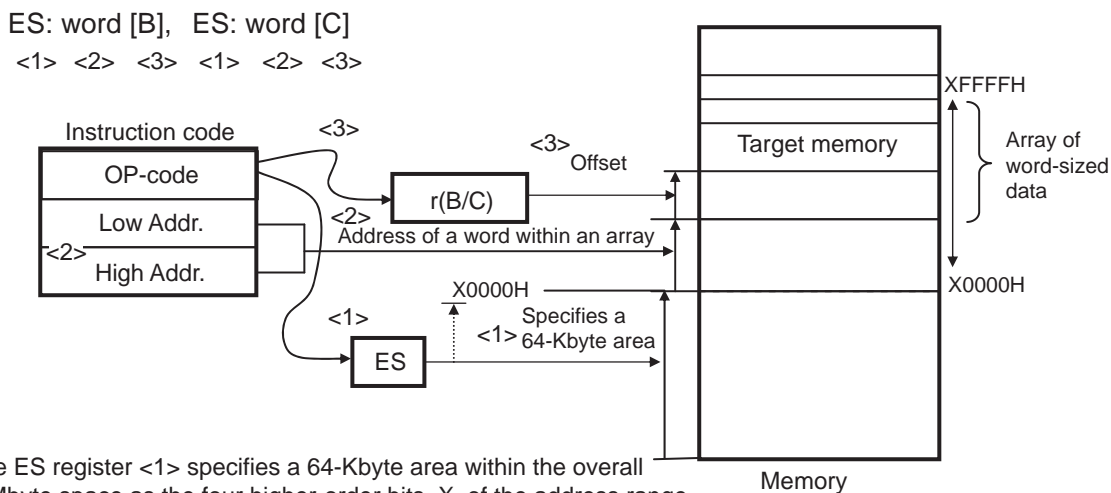
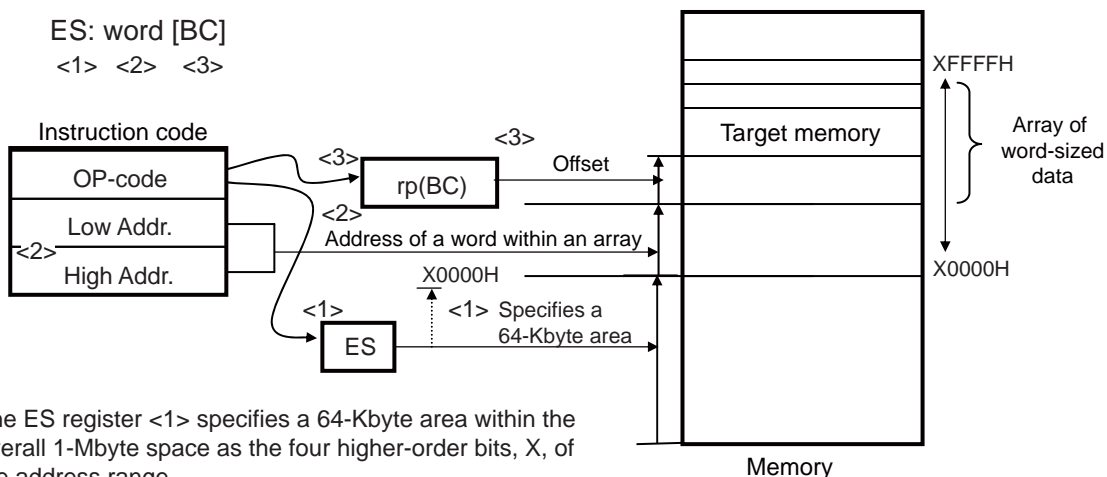


Figure 3-30. Example of ES:word[B], ES:word[C]



- The ES register <1> specifies a 64-Kbyte area within the overall 1-Mbyte space as the four higher-order bits, X, of the address range.
- “word” <2> specifies the address where the target array of word-sized data starts in the 64-Kbyte area specified in the ES register <1>.
- Either register <3> specifies an offset within the array to the target location in memory.

Figure 3-31. Example of ES:word[BC]



- The ES register <1> specifies a 64-Kbyte area within the overall 1-Mbyte space as the four higher-order bits, X, of the address range.
- “word” <2> specifies the address where the target array of word-sized data starts in the 64-Kbyte area specified in the ES register <1>.
- A pair of registers <3> specifies an offset within the array to the target location in memory.

3.4.8 Based indexed addressing

[Function]

Based indexed addressing uses the contents of a register pair specified with the instruction word as the base address, and the content of the B register or C register similarly specified with the instruction word as offset address. The sum of these values is used to specify the target address.

[Operand format]

Identifier	Description
-	[HL+B], [HL+C] (only the space from F0000H to FFFFFH is specifiable)
-	ES:[HL+B], ES:[HL+C] (higher 4-bit addresses are specified by the ES register)

Figure 3-32. Example of [HL+B], [HL+C]

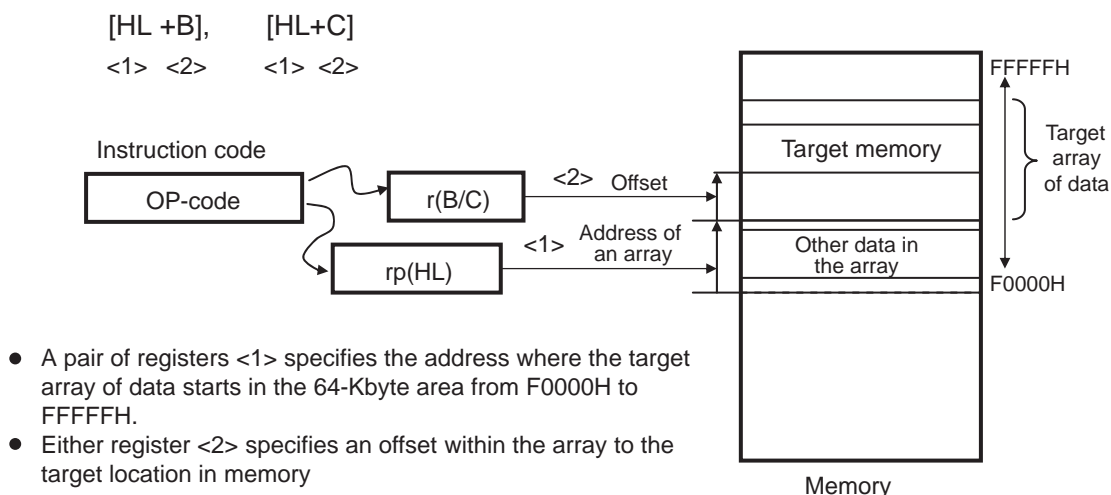
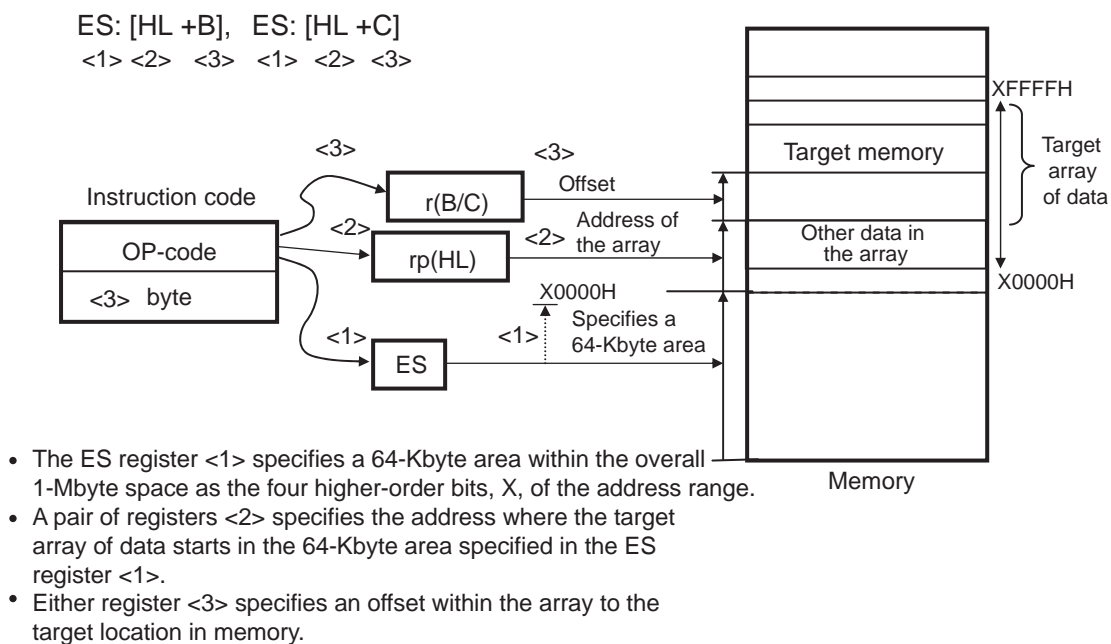


Figure 3-33. Example of ES:[HL+B], ES:[HL+C]



3.4.9 Stack addressing

[Function]

The stack area is indirectly addressed with the stack pointer (SP) contents. This addressing is automatically employed when the PUSH, POP, subroutine call, and return instructions are executed or the register is saved/restored upon generation of an interrupt request.

Stack addressing is applied only to the internal RAM area.

[Description format]

Identifier	Description
-	PUSH PSW AX/BC/DE/HL POP PSW AX/BC/DE/HL CALL/CALLT RET BRK RETB (Interrupt request generated) RETI

Figure 3-34. Example of PUSH rp

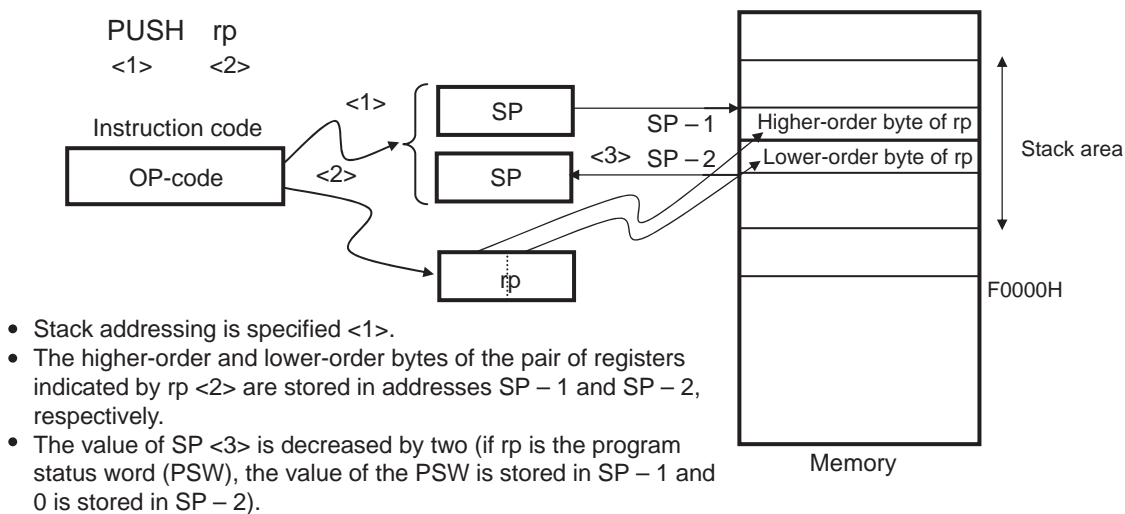
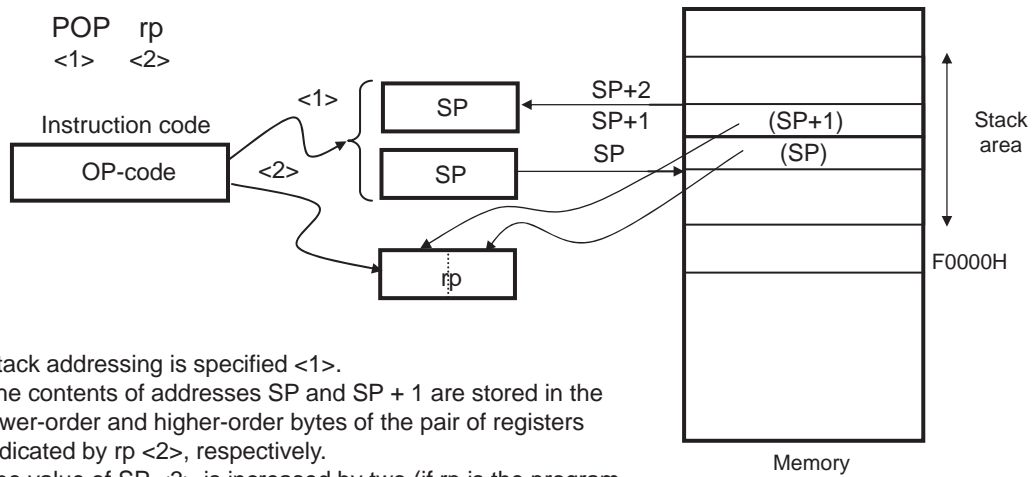
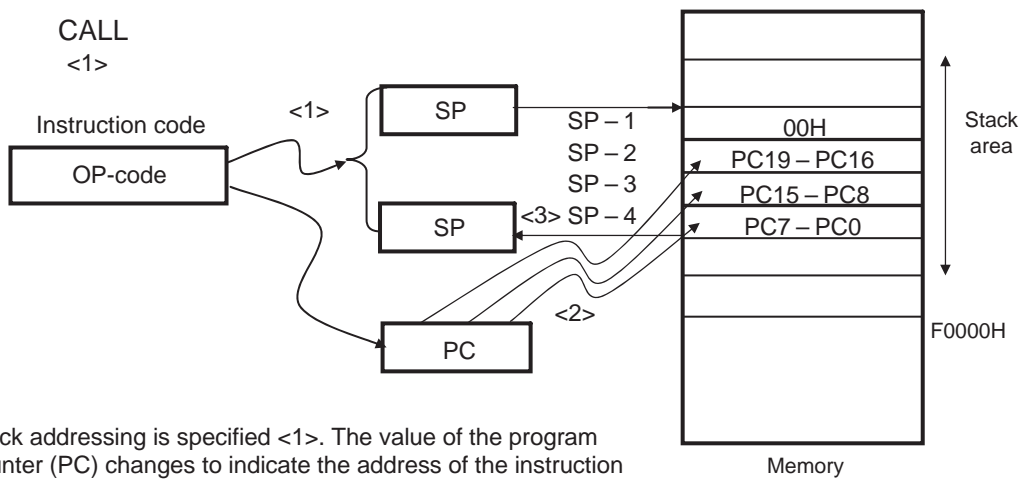


Figure 3-35. Example of POP



- Stack addressing is specified <1>.
- The contents of addresses SP and SP + 1 are stored in the lower-order and higher-order bytes of the pair of registers indicated by rp <2>, respectively.
- The value of SP <3> is increased by two (if rp is the program status word (PSW), the content of address SP + 1 is stored in the PSW).

Figure 3-36. Example of CALL, CALLT



- Stack addressing is specified <1>. The value of the program counter (PC) changes to indicate the address of the instruction following the CALL instruction.
- 00H, the values of PC bits 19 to 16, 15 to 8, and 7 to 0 are stored in addresses SP - 1, SP - 2, SP - 3, and SP - 4, respectively <2>.
- The value of the SP <3> is decreased by 4.

Figure 3-37. Example of RET

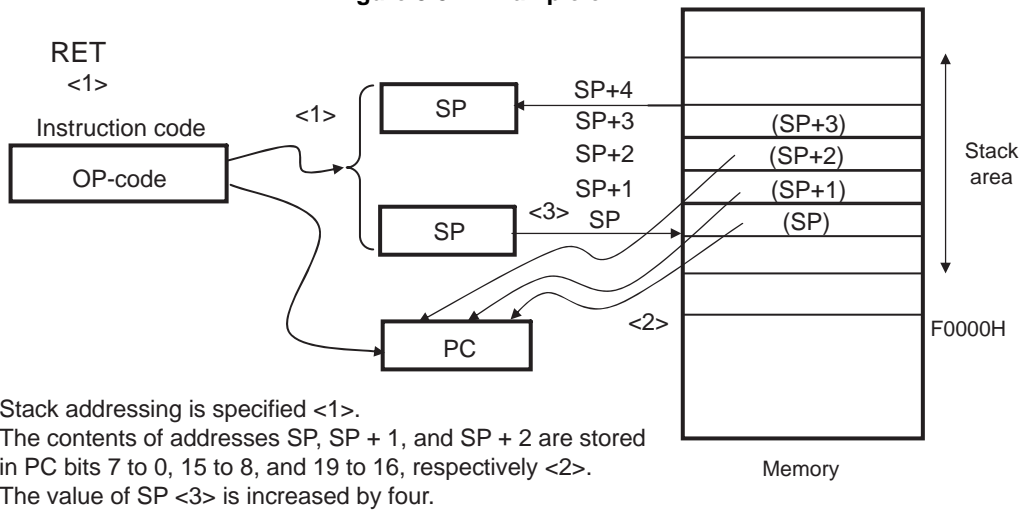


Figure 3-38. Example of Interrupt, BRK

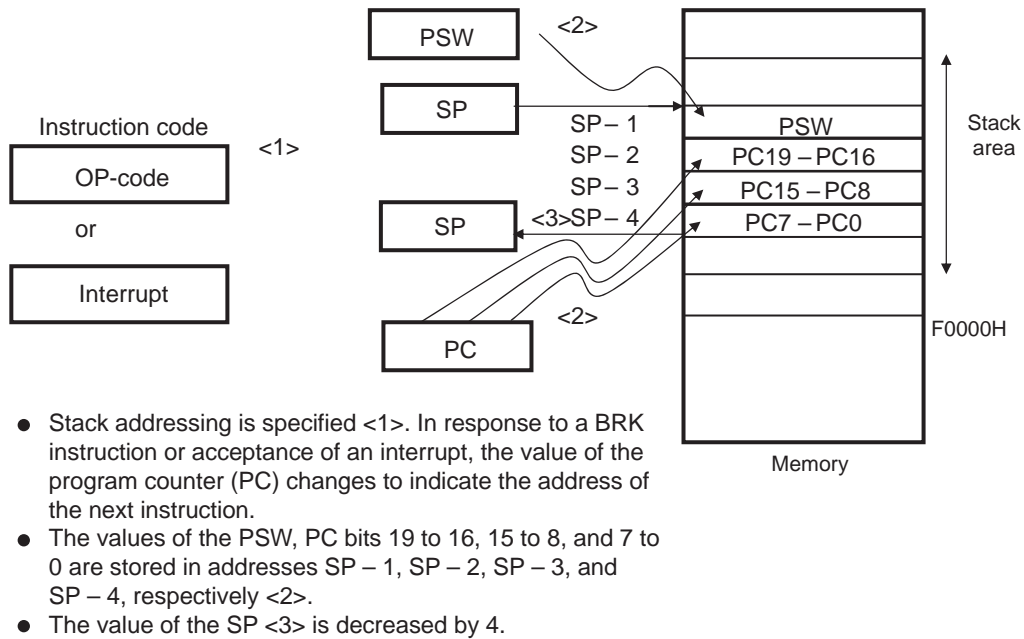
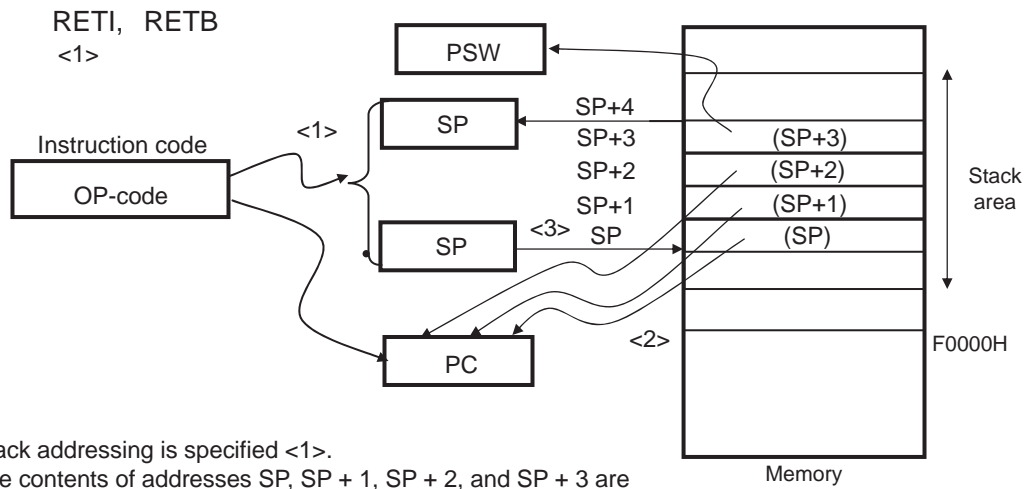


Figure 3-39. Example of RETI, RETB



- Stack addressing is specified <1>.
- The contents of addresses SP, SP + 1, SP + 2, and SP + 3 are stored in PC bits 7 to 0, 15 to 8, 19 to 16, and the PSW, respectively <2>.
- The value of SP <3> is increased by four.

CHAPTER 4 PORT FUNCTIONS

4.1 Port Functions

The RL78/L12 microcontrollers are provided with digital I/O ports, which enable variety of control operations.

In addition to the function as digital I/O ports, these ports have several alternate functions. For details of the alternate functions, see **CHAPTER 2 PIN FUNCTIONS**.

4.2 Port Configuration

Ports include the following hardware.

Table 4-1. Port Configuration

Item	Configuration
Control registers	Port mode registers (PM1 to PM7, PM12, PM14) Port registers (P1 to P7, P12-P14) Pull-up resistor option registers (PU1, PU3 to PU5, PU7, PU12, PU14) Port input mode register (PIM1) Port output mode register (POM1) Port mode control registers (PMC1, PMC4, PMC12, PMC14) A/D port configuration register (ADPC) Peripheral I/O redirection register (PIOR) LCD port function registers (PFSEG0 PFSEG4) LCD input switch control register (ISCLCD)
Port	<ul style="list-style-type: none"> • 32-pin products Total: 20 (CMOS I/O: 15, CMOS input: 3, N-ch open drain I/O: 2) • 44-pin products Total: 29 (CMOS I/O: 22, CMOS input: 5, N-ch open drain I/O: 2) • 48-pin products Total: 33 (CMOS I/O: 26, CMOS input: 5, N-ch open drain I/O: 2) • 52-pin products Total: 37 (CMOS I/O: 30, CMOS input: 5, N-ch open drain I/O: 2) • 64-pin products Total: 47 (CMOS I/O: 39, CMOS input: 5, CMOS output: 1, N-ch open drain I/O: 2)
Pull-up resistor	<ul style="list-style-type: none"> • 32-pin products Total: 13 • 44-pin products Total: 20 • 48-pin products Total: 24 • 52-pin products Total: 28 • 64-pin products Total: 37

<R> 4.2.1 Port 1

Port 1 is an I/O port with an output latch. Port 1 can be set to the input mode or output mode in 1-bit units using port mode register 1 (PM1). When the P10 to P17 pins are used as an input port, use of an on-chip pull-up resistor can be specified in 1-bit units by pull-up resistor option register 1 (PU1).

Input to the P10, P11, P15, and P16 pins can be specified through a normal input buffer or a TTL input buffer in 1-bit units using port input mode register 1 (PIM1).

Output from the P10, P12, P15, and P17 pins can be specified as a normal CMOS output or N-ch open-drain output (V_{DD} tolerance^{Note 1}/ EV_{DD} tolerance^{Note 2}) in 1-bit units using port output mode register 1 (POM1).

To use P13 and P14 as input pins, set them in the digital input mode or analog input mode by using port mode control register 1 (PMC1) (can be specified in 1-bit units).

This port can also be used for serial interface data I/O, serial interface clock I/O, programming UART I/O, timer I/O, segment output of the LCD controller/driver, external interrupt request input, and A/D converter analog input.

When reset signal is generated, the following configuration will be set.

- P10 to P12 and P05 to P07 pins ... Input mode
- P13 and P14 pins ... Analog input

- Notes**
1. 32-, 44-, 48-, and 52-pin products: V_{DD} tolerance
 2. 64-pin products: EV_{DD} tolerance

<R> 4.2.2 Port 2

Port 2 is an I/O port with an output latch. Port 2 can be set to the input mode or output mode in 1-bit units using port mode register 2 (PM2).

This port can also be used for A/D converter analog input and reference voltage input (+ side and - side).

To use P20/ANI0 to P21/ANI1 as digital input/output pins, set them in the digital I/O mode by using the A/D port configuration register (ADPC). Use these pins starting from the upper bit.

To use P20/ANI0 to P21/ANI1 as analog input pins, set them in the analog input mode by using the A/D port configuration register (ADPC) and in the input mode by using the PM2 register. Use these pins starting from the lower bit.

Table 4-2. Setting Functions of P20/ANI0 to P21/ANI1 Pins

ADPC Register	PM2 Register	ADS Register	P20/ANI0 to P21/ANI1 Pins
Digital I/O selection	Input mode	–	Digital input
	Output mode	–	Digital output
Analog input selection	Input mode	Selects ANI.	Analog input (to be converted)
		Does not select ANI.	Analog input (not to be converted)
	Output mode	Selects ANI.	Setting prohibited
		Does not select ANI.	

All P20/ANI0 to P21/ANI1 are set in the analog input mode when the reset signal is generated.

<R> 4.2.3 Port 3

Port 3 is an I/O port with an output latch. Port 3 can be set to the input mode or output mode in 1-bit units using port mode register 3 (PM3). When the P30 to P32 pins are used as an input port, use of an on-chip pull-up resistor can be specified in 1-bit units by pull-up resistor option register 3 (PU3).

This port can also be used for external interrupt request input, real-time clock correction clock output, segment output of the LCD controller/driver, and timer I/O.

Reset signal generation sets P30 to P32 to input mode.

<R> 4.2.4 Port 4

Port 4 is an I/O port with an output latch. Port 4 can be set to the input mode or output mode in 1-bit units using port mode register 4 (PM4). When the P40 to P43 pins are used as an input port, use of an on-chip pull-up resistor can be specified in 1-bit units by pull-up resistor option register 4 (PU4).

Be sure to connect an external pull-up resistor to P40 when on-chip debugging is enabled (by using an option byte).

This port can also be used for segment output of the LCD controller/driver, external interrupt request input, data I/O for a flash memory programmer/debugger, timer I/O, and A/D converter analog input.

Reset signal generation sets P40, P42, and P43 to input mode, and sets P41 to analog input.

<R> 4.2.5 Port 5

Port 5 is an I/O port with an output latch. Port 5 can be set to the input mode or output mode in 1-bit units using port mode register 5 (PM5). When the P50 to P54 pins are used as an input port, use of an on-chip pull-up resistor can be specified in 1-bit units by pull-up resistor option register 5 (PU5).

This port can also be used for external interrupt request input, segment output of the LCD controller/driver, and timer I/O.

Reset signal generation sets port 5 to input mode.

<R> 4.2.6 Port 6

Port 6 is an I/O port with an output latch. Port 6 can be set to the input mode or output mode in 1-bit units using port mode register 6 (PM6).

The output of the P60 and P61 pins is N-ch open-drain output (EVDD tolerance ^{Note}).

This port can also be used for segment output of the LCD controller driver, serial interface data I/O, and serial interface clock I/O.

Reset signal generation sets port 6 to input mode.

Note 32-, 44-, 48-, and 52-pin products: VDD tolerance
64-pin products: EVDD tolerance

<R> 4.2.7 Port 7

Port 7 is an I/O port with an output latch. Port 7 can be set to the input mode or output mode in 1-bit units using port mode register 7 (PM7). When used as an input port, use of an on-chip pull-up resistor can be specified in 1-bit units by pull-up resistor option register 7 (PU7).

This port can also be used for key interrupt input and segment output of the LCD controller/driver.

Reset signal generation sets port 7 to input mode.

<R> 4.2.8 Port 12

P120 and P125 to P127 are 4-bit I/O ports with an output latch. These port pins can be set to the input mode or output mode in 1-bit units using port mode register 12 (PM12). When used as an input port, use of an on-chip pull-up resistor can be specified by pull-up resistor option register 12 (PU12).

P121 to P124 are 4-bit input-only ports.

Digital input/output or analog input can be specified for the P120 pin using port mode control register 12 (PMC12).

This port can also be used for A/D converter analog input, connecting resonator for main system clock, connecting resonator for subsystem clock, external clock input for main system clock, external clock input for subsystem clock, segment output of the LCD controller/driver, connecting the capacitor for the LCD controller/driver, and voltage pin for driving the LCD.

Reset signal generation sets P120 to analog input, and sets P121 to P127 to input mode.

<R> 4.2.9 Port 13

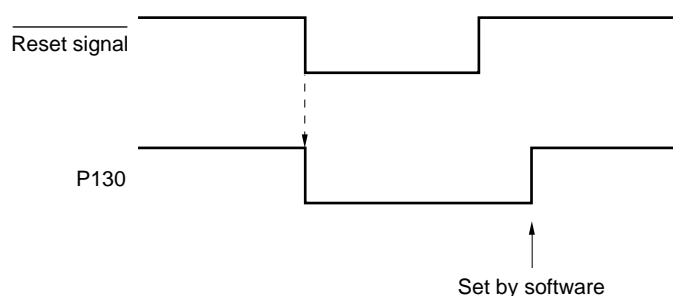
P130 is a 1-bit output-only port with an output latch.

P137 is a 1-bit input-only port.

P130 is fixed an output port, and P137 is fixed an input port.

This port can also be used for external interrupt request input.

Remark When a reset takes effect, P130 outputs a low-level signal. If P130 is set to output a high-level signal before a reset takes effect, the output signal of P130 can be dummy-output as the CPU reset signal.

**<R> 4.2.10 Port 14**

Port 14 is an I/O port with an output latch. Port 14 can be set to the input mode or output mode in 1-bit units using port mode register 14 (PM14). When the P140 to P147 pins are used as an input port, use of an on-chip pull-up resistor can be specified in 1-bit units by pull-up resistor option register 14 (PU14).

Digital input/output or analog input can be specified for the P142 to P145 pins using port mode control register 14 (PMC14).

This port can also be used for clock/buzzer output, segment output of the LCD controller/driver, A/D converter analog input, and timer I/O.

Reset signal generation sets P140, P141, P146, and P147 to input mode, and sets P142 to P145 to analog input.

4.3 Registers Controlling Port Function

Port functions are controlled by the following registers.

- Port mode registers (PMxx)
- Port registers (Pxx)
- Pull-up resistor option registers (PUxx)
- Port input mode registers (PIMxx)
- Port output mode registers (POMxx)
- Port mode control registers (PMCxx)
- A/D port configuration register (ADPC)
- Peripheral I/O redirection register (PIOR)
- LCD port function registers (PFSEG0 to PFSEG4)
- LCD input switch control register (ISCLCD)

Caution The undefined bits in each register vary by product and must be used with their initial value.

Table 4-3. PMxx, Pxx, PUxx, PIMxx, POMxx, PMCxx registers and the bits mounted on each product (1/3)

Port		Bit name						64 pin	52 pin	48 pin	44 pin	32 pin
		PMxx register	Pxx register	PUxx register	PIMxx register	POMxx register	PMCxx register					
Port 0	–	–	–	–	–	–	–	–	–	–	–	–
Port 1	0	PM10	P10	PU10	PIM10	POM10	–	√	√	√	√	√
	1	PM11	P11	PU11	PIM11	–	–	√	√	√	√	√
	2	PM12	P12	PU12	–	POM12	–	√	√	√	√	√
	3	PM13	P13	PU13	–	–	PMC13	√	√	√	√	√
	4	PM14	P14	PU14	–	–	PMC14	√	√	√	√	√
	5	PM15	P15	PU15	PIM15	POM15	–	√	√	√	√	√
	6	PM16	P16	PU16	PIM16	–	–	√	√	√	√	√
	7	PM17	P17	PU17	–	POM17	–	√	√	√	√	√
Port 2	0	PM20	P20	–	–	–	–	√	√	√	√	√
	1	PM21	P21	–	–	–	–	√	√	√	√	√
	2	–	–	–	–	–	–	–	–	–	–	–
	3	–	–	–	–	–	–	–	–	–	–	–
	4	–	–	–	–	–	–	–	–	–	–	–
	5	–	–	–	–	–	–	–	–	–	–	–
	6	–	–	–	–	–	–	–	–	–	–	–
	7	–	–	–	–	–	–	–	–	–	–	–

Table 4-3. PMxx, Pxx, PUxx, PIMxx, POMxx, PMCxx registers and the bits mounted on each product (2/3)

Port		Bit name						64 pin	52 pin	48 pin	44 pin	32 pin
		PMxx register	Pxx register	PUxx register	PIMxx register	POMxx register	PMCxx register					
Port 3	0	PM30	P30	PU30	-	-	-	√	√	√	√	√
	1	PM31	P31	PU31	-	-	-	√	√	√	√	-
	2	PM32	P32	PU32	-	-	-	√	√	√	√	-
	3	-	-	-	-	-	-	-	-	-	-	-
	4	-	-	-	-	-	-	-	-	-	-	-
	5	-	-	-	-	-	-	-	-	-	-	-
	6	-	-	-	-	-	-	-	-	-	-	-
	7	-	-	-	-	-	-	-	-	-	-	-
Port 4	0	PM40	P40	PU40	-	-	-	√	√	√	√	√
	1	PM41	P41	PU41	-	-	PMC41	√	√	√	-	-
	2	PM42	P42	PU42	-	-	-	√	√	-	-	-
	3	PM43	P43	PU43	-	-	-	√	-	-	-	-
	4	-	-	-	-	-	-	-	-	-	-	-
	5	-	-	-	-	-	-	-	-	-	-	-
	6	-	-	-	-	-	-	-	-	-	-	-
	7	-	-	-	-	-	-	-	-	-	-	-
Port 5	0	PM50	P50	PU50	-	-	-	√	√	√	-	-
	1	PM51	P51	PU51	-	-	-	√	√	-	-	-
	2	PM52	P52	PU52	-	-	-	√	-	-	-	-
	3	PM53	P53	PU53	-	-	-	√	-	-	-	-
	4	PM54	P54	PU54	-	-	-	√	-	-	-	-
	5	-	-	-	-	-	-	-	-	-	-	-
	6	-	-	-	-	-	-	-	-	-	-	-
	7	-	-	-	-	-	-	-	-	-	-	-
Port 6	0	PM60	P60	-	-	-	-	√	√	√	√	√
	1	PM61	P61	-	-	-	-	√	√	√	√	√
	2	-	-	-	-	-	-	-	-	-	-	-
	3	-	-	-	-	-	-	-	-	-	-	-
	4	-	-	-	-	-	-	-	-	-	-	-
	5	-	-	-	-	-	-	-	-	-	-	-
	6	-	-	-	-	-	-	-	-	-	-	-
	7	-	-	-	-	-	-	-	-	-	-	-
Port 7	0	PM70	P70	PU70	-	-	-	√	√	√	-	-
	1	PM71	P71	PU71	-	-	-	√	√	-	-	-
	2	PM72	P72	PU72	-	-	-	√	-	-	-	-
	3	PM73	P73	PU73	-	-	-	√	-	-	-	-
	4	PM74	P74	PU74	-	-	-	√	-	-	-	-
	5	-	-	-	-	-	-	-	-	-	-	-
	6	-	-	-	-	-	-	-	-	-	-	-
	7	-	-	-	-	-	-	-	-	-	-	-

Table 4-3. PMxx, Pxx, PUxx, PIMxx, POMxx, PMCxx registers and the bits mounted on each product (3/3)

Port		Bit name						64 pin	52 pin	48 pin	44 pin	32 pin
		PMxx register	Pxx register	PUxx register	PIMxx register	POMxx register	PMCxx register					
Port 8	–	–	–	–	–	–	–	–	–	–	–	–
Port 9	–	–	–	–	–	–	–	–	–	–	–	–
Port 10	–	–	–	–	–	–	–	–	–	–	–	–
Port 11	–	–	–	–	–	–	–	–	–	–	–	–
Port 12	0	PM120	P120	PU120	–	–	PMC120	√	√	√	√	–
	1	–	P121	–	–	–	–	√	√	√	√	√
	2	–	P122	–	–	–	–	√	√	√	√	√
	3	–	P123	–	–	–	–	√	√	√	√	–
	4	–	P124	–	–	–	–	√	√	√	√	–
	5	PM125	P125	PU125	–	–	–	√	√	√	√	–
	6	PM126	P126	PU126	–	–	–	√	√	√	√	√
	7	PM127	P127	PU127	–	–	–	√	√	√	√	√
Port 13	0	–	P130	–	–	–	–	√	–	–	–	–
	1	–	–	–	–	–	–	–	–	–	–	–
	2	–	–	–	–	–	–	–	–	–	–	–
	3	–	–	–	–	–	–	–	–	–	–	–
	4	–	–	–	–	–	–	–	–	–	–	–
	5	–	–	–	–	–	–	–	–	–	–	–
	6	–	–	–	–	–	–	–	–	–	–	–
	7	–	P137	–	–	–	–	√	√	√	√	√
Port 14	0	PM140	P140	PU140	–	–	–	√	√	√	√	√
	1	PM141	P141	PU141	–	–	–	√	√	√	√	–
	2	PM142	P142	PU142	–	–	PMC142	√	√	√	√	–
	3	PM143	P143	PU143	–	–	PMC143	√	√	√	√	–
	4	PM144	P144	PU144	–	–	PMC144	√	√	√	–	–
	5	PM145	P145	PU145	–	–	PMC145	√	√	–	–	–
	6	PM146	P146	PU146	–	–	–	√	–	–	–	–
	7	PM147	P147	PU147	–	–	–	√	–	–	–	–
Port 15	–	–	–	–	–	–	–	–	–	–	–	

The format of each register is described below. The description here uses the 64-pin products as an example.

For the registers mounted on others than 64-pin products, refer to **table 4-3**.

4.3.1 Port mode registers (PMxx)

These registers specify input or output mode for the port in 1-bit units.

These registers can be set by a 1-bit or 8-bit memory manipulation instruction.

Reset signal generation sets these registers to FFH.

When port pins are used as alternate-function pins, set the port mode register by referencing **4.5 Register Settings When Using Alternate Function**.

Figure 4-1. Format of Port Mode Register (64-pin products)

Symbol	7	6	5	4	3	2	1	0	Address	After reset	R/W
PM1	PM17	PM16	PM15	PM14	PM13	PM12	PM11	PM10	FFF21H	FFH	R/W
PM2	1	1	1	1	1	1	PM21	PM20	FFF22H	FFH	R/W
PM3	1	1	1	1	1	PM32	PM31	PM30	FFF23H	FFH	R/W
PM4	1	1	1	1	PM43	PM42	PM41	PM40	FFF24H	FFH	R/W
PM5	1	1	1	PM54	PM53	PM52	PM51	PM50	FFF25H	FFH	R/W
PM6	1	1	1	1	1	1	PM61	PM60	FFF26H	FFH	R/W
PM7	1	1	1	PM74	PM73	PM72	PM71	PM70	FFF27H	FFH	R/W
PM12	PM127	PM126	PM125	1	1	1	1	PM120	FFF2CH	FFH	R/W
PM14	PM147	PM146	PM145	PM144	PM143	PM142	PM141	PM140	FFF2EH	FFH	R/W
PMmn	Pmn pin I/O mode selection (m = 1 to 7, 12, 14; n = 0 to 7)										
0	Output mode (output buffer on)										
1	Input mode (output buffer off)										

<R> **Caution** Be sure to set bits that are not mounted to their initial values.

4.3.2 Port registers (Pxx)

These registers set the output latch value of a port.

If the data is read in the input mode, the pin level is read. If it is read in the output mode, the output latch value is read^{Note}.

These registers can be set by a 1-bit or 8-bit memory manipulation instruction.

Reset signal generation clears these registers to 00H.

Note If P13, P14, P20, P21, P41, P120, and P142 to P145 are set up as analog inputs of the A/D converter, when a port is read while in the input mode, 0 is always returned, not the pin level.

Figure 4-2. Format of Port Register (64-pin products)

Symbol	7	6	5	4	3	2	1	0	Address	After reset	R/W
P1	P17	P16	P15	P14	P13	P12	P11	P10	FFF01H	00H (output latch)	R/W
P2	0	0	0	0	0	0	P21	P20	FFF02H	00H (output latch)	R/W
P3	0	0	0	0	0	P32	P31	P30	FFF03H	00H (output latch)	R/W
P4	0	0	0	0	P43	P42	P41	P40	FFF04H	00H (output latch)	R/W
P5	0	0	0	P54	P53	P52	P51	P50	FFF05H	00H (output latch)	R/W
P6	0	0	0	0	0	0	P61	P60	FFF06H	00H (output latch)	R/W
P7	0	0	0	P74	P73	P72	P71	P70	FFF07H	00H (output latch)	R/W
P12	P127	P126	P125	P124	P123	P122	P121	P120	FFF0CH	Undefined	R/W ^{Note 1}
P13	P137	0	0	0	0	0	0	P130	FFF0DH	Note 2	R/W ^{Note 1}
P14	P147	P146	P145	P144	P143	P142	P141	P140	FFF0EH	00H (output latch)	R/W

Pmn	Output data control (in output mode)	Input data read (in input mode)
0	Output 0	Input low level
1	Output 1	Input high level

Notes 1. P121 to P124, and P137 are read-only.

2. P137 : Undefined

P130: 0 (output latch)

<R>

Caution Be sure to set bits that are not mounted to their initial values.

Remark m = 1 to 7, 12 to 14; n = 0 to 7

4.3.3 Pull-up resistor option registers (PUxx)

These registers specify whether the on-chip pull-up resistors are to be used or not. On-chip pull-up resistors can be used in 1-bit units only for the bits set to input mode (PMmn = 1 and POMmn = 0) for the pins to which the use of an on-chip pull-up resistor has been specified in these registers. On-chip pull-up resistors cannot be connected to bits set to output mode and bits used as alternate-function output pins and analog setting (PMC = 1, ADPC = 1), regardless of the settings of these registers.

These registers can be set by a 1-bit or 8-bit memory manipulation instruction.
 Reset signal generation clears these registers to 00H (Only PU4 is set to 01H).

Caution When a port with the PIMn register is input from different potential device to TTL buffer, pull up to the power supply of the different potential device via a external pull-up resistor by setting PUMn = 0.

Figure 4-3. Format of Pull-up Resistor Option Register (64-pin products)

Symbol	7	6	5	4	3	2	1	0	Address	After reset	R/W
PU1	PU17	PU16	PU15	PU14	PU13	PU12	PU11	PU10	F0031H	00H	R/W
PU3	0	0	0	0	0	PU32	PU31	PU30	F0033H	00H	R/W
PU4	0	0	0	0	PU43	PU42	PU41	PU40	F0034H	01H	R/W
PU5	0	0	0	PU54	PU53	PU52	PU51	PU50	F0035H	00H	R/W
PU7	0	0	0	PU74	PU73	PU72	PU71	PU70	F0037H	00H	R/W
PU12	PU127	PU126	PU125	0	0	0	0	PU120	F003CH	00H	R/W
PU14	PU147	PU146	PU145	PU144	PU143	PU142	PU141	PU140	F003EH	00H	R/W

PUMn	Pmn pin on-chip pull-up resistor selection (m = 1, 3 to 5, 7, 12, 14; n = 0 to 7)
0	On-chip pull-up resistor not connected
1	On-chip pull-up resistor connected

- Cautions**
1. For the pins used as LCD function pins (SEGxx, CAPL, CAPH, and VL3), be sure to clear the corresponding PUMn bit of the PUM register to 0.
 2. Be sure to set bits that are not mounted to their initial values.

<R>

4.3.4 Port input mode register (PIM1)

These registers set the input buffer in 1-bit units.

TTL input buffer can be selected during serial communication, etc with an external device of the different potential.

Port input mode registers can be set by a 1-bit or 8-bit memory manipulation instruction.

Reset signal generation clears these registers to 00H.

Figure 4-4. Format of Port Input Mode Register (64-pin products)

Symbol	7	6	5	4	3	2	1	0	Address	After reset	R/W
PIM1	0	PIM16	PIM15	0	0	0	PIM11	PIM10	F0041H	00H	R/W

PIM1n	P1n pin input buffer selection (n = 0, 1, 5, 6)
0	Normal input buffer
1	TTL input buffer

Cautions 1. When using P10/SCK00/SEG28, P11/SI00/RxD0/TOOLRxD/SEG29, P15/SCK01/INTP1/SEG4, and P16/SI01/INTP2/SEG5 as LCD controller/driver function pins (segment output pins), setting the PIM1n bit to 1 is prohibited.

<R>

2. Be sure to set bits that are not mounted to their initial values.

4.3.5 Port output mode register (POM1)

This register set the output mode of P10, P12, P15, P17 in 1-bit units.

N-ch open drain output (V_{DD} tolerance^{Note 1}/EV_{DD} tolerance^{Note 2}) mode can be selected during serial communication with an external device of the different potential.

In addition, POMxx register is set with PUxx register, whether or not to use the on-chip pull-up resistor.

This register can be set by a 1-bit or 8-bit memory manipulation instruction.

Reset signal generation clears this register to 00H.

<R>

Caution An on-chip pull-up resistor is not connected to a bit for which N-ch open drain output (V_{DD} tolerance^{Note 1}/EV_{DD} tolerance^{Note 2}) mode is set.

Figure 4-5. Format of Port Input Mode Register (64-pin products)

Symbol	7	6	5	4	3	2	1	0	Address	After reset	R/W
POM1	POM17	0	POM15	0	0	POM12	0	POM10	F0051H	00H	R/W

POM1n	Pmn pin output mode selection (n = 0, 2, 5, 7)
0	Normal output mode
1	N-ch open-drain output (V_{DD} tolerance ^{Note 1} /EV _{DD} tolerance ^{Note 2}) mode

Notes 1. 32, 44, 48, 52-pin products : V_{DD} tolerance

2. 64-pin products : EV_{DD} tolerance

<R>

Caution Be sure to set bits that are not mounted to their initial values.

4.3.6 Port mode control registers (PMCxx)

These registers set the P13, P14, P41, P120, and P142 to P145 digital I/O/analog input in 1-bit units. These registers can be set by a 1-bit or 8-bit memory manipulation instruction. Reset signal generation clears these registers to FFH.

Figure 4-6. Format of Port Mode Control Register (64-pin products)

Symbol	7	6	5	4	3	2	1	0	Address	After reset	R/W
PMC1	1	1	1	PMC14	PMC13	1	1	1	F0061H	FFH	R/W
PMC4	1	1	1	1	1	1	PMC41	1	F0064H	FFH	R/W
PMC12	1	1	1	1	1	1	1	PMC120	F006CH	FFH	R/W
PMC14	1	1	PMC145	PMC144	PMC143	PMC142	1	1	F006EH	FFH	R/W

PMCmn	Pmn pin digital I/O/analog input selection (m = 1, 4, 12, 14; n = 0 to 5)	
0	Digital I/O (alternate function other than analog input)	
1	Analog input	

- <R> **Cautions**
1. Select input mode by using port mode registers 1, 4, 12, 14 (PM1, PM4, PM12, PM14) for the ports which are set by the PMCxx register as analog input.
 2. Do not set the pin set by the PMC register as digital I/O by the analog input channel specification register (ADS).
 3. Be sure to set bits that are not mounted to their initial values.
- <R>

4.3.7 A/D port configuration register (ADPC)

This register switches the P20/ANI0, P21/AN21 pins to digital I/O of port or analog input of A/D converter. The ADPC register can be set by an 8-bit memory manipulation instruction. Reset signal generation sets this register to 00H.

Figure 4-7. Format of A/D Port Configuration Register (ADPC)

Address: F0076H After reset: 00H R/W

Symbol	7	6	5	4	3	2	1	0
ADPC	0	0	0	0	0	0	ADPC1	ADPC0

ADPC1	ADPC0	Analog input (A)/digital I/O (D) switching	
		ANI1/P21	ANI0/P20
0	0	A	A
0	1	D	D
1	0	D	A
1	1	A	A

- Cautions**
1. Set the port to analog input by ADPC register to the input mode by using port mode registers 2 (PM2).
 2. Do not set the pin set by the ADPC register as digital I/O by the analog input channel specification register (ADS).
 3. When using AV_{REFP} and AV_{REFM}, set ANI0 and ANI1 to analog input and set the port mode register to the input mode.

<R>

4.3.8 Peripheral I/O redirection register (PIOR)

This register is used to specify whether to enable or disable the peripheral I/O redirect function.
 This function is used to switch ports to which alternate functions are assigned.
 Use the PIOR register to assign a port to the function to redirect and enable the function.
 In addition, can be changed the settings for redirection until its function enable operation.
 The PIOR register can be set by an 8-bit memory manipulation instruction.
 Reset signal generation sets this register to 00H.

Figure 4-8. Format of Peripheral I/O Redirection Register (PIOR)

Address: F0077H After reset: 00H R/W

Symbol	7	6	5	4	3	2	1	0
PIOR	0	0	0	0	0	0	PIOR1	PIOR0

<R>

Bit	Function	64-pin		52-pin		48-pin		44-pin		32-pin	
		Setting value		Setting value		Setting value		Setting value		Setting value	
		0	1	0	1	0	1	0	1	0	1
PIOR1	PCLBUZ0	P140	P50	P140	P50	P140	P50	These functions are not available for use. Set this bit to 0 (default value).			
PIOR0	INTP1	P15	P53	P15	P10	P15	P10	P15	P10	P15	P10
	INTP2	P16	P54	P16	P11	P16	P11	P16	P11	P16	P11
	INTP6	P52	P140	-	-	-	-	-	-	-	-
	INTP7	P43	P141	-	-	-	-	-	-	-	-
	TI02/TO02	P17	P54	P17	P12	P17	P12	P17	P12	P17	P12

4.3.9 LCD port function registers 0 to 4 (PFSEG0 to PFSEG4)

These registers set whether to use pins P10 to P17, P30 to P32, P41 to P43, P50 to P54, P60, P61, P70 to P74, P120, and P140 to P147 as port pins (other than segment output pins) or segment output pins.

These registers can be set by a 1-bit or 8-bit memory manipulation instruction.

Reset signal generation sets these registers to FFH (PFSEG0 is set to F0H, and PFSEG4 is set to 7FH).

Remark The correspondence between the segment output pins (SEGxx) and the PFSEG register (PFSEGxx bits) and the existence of SEGxx pins in each product are shown in **Table 4-4 Segment Output Pins in Each Product and Correspondence with PFSEG Register (PFSEG Bits)**.

Figure 4-9. Format of LCD port function registers 0 to 4 (PFSEG0 to PFSEG4) (64-pin products)

Address: F0300H After reset: F0H R/W								
Symbol	7	6	5	4	3	2	1	0
PFSEG0	PFSEG07	PFSEG06	PFSEG05	PFSEG04	0	0	0	0
Address: F0301H After reset: FFH R/W								
Symbol	7	6	5	4	3	2	1	0
PFSEG1	PFSEG15	PFSEG14	PFSEG13	PFSEG12	PFSEG11	PFSEG10	PFSEG09	PFSEG08
Address: F0302H After reset: FFH R/W								
Symbol	7	6	5	4	3	2	1	0
PFSEG2	PFSEG23	PFSEG22	PFSEG21	PFSEG20	PFSEG19	PFSEG18	PFSEG17	PFSEG16
Address: F0303H After reset: FFH R/W								
Symbol	7	6	5	4	3	2	1	0
PFSEG3	PFSEG31	PFSEG30	PFSEG29	PFSEG28	PFSEG27	PFSEG26	PFSEG25	PFSEG24
Address: F0304H After reset: 7FH R/W								
Symbol	7	6	5	4	3	2	1	0
PFSEG4	0	PFSEG38	PFSEG37	PFSEG36	PFSEG35	PFSEG34	PFSEG33	PFSEG32
PFSEGxx (xx = 04 to 38)	Port (other than segment output)/segment outputs specification of Pmn pins (mn = 10 to 17, 30 to 32, 41 to 43, 50 to 54, 60, 61, 70-74, 120, 140 to 147)							
0	Used the Pmn pin as port (other than segment output)							
1	Used the Pmn pin as segment output							

Table 4-4. Segment Output Pins in Each Product and Correspondence with PFSEG Register (PFSEG Bits)

Bit name of PFSEG register	Corresponding SEGxx pins	Alternate port	64-pin	52-pin	48-pin	44-pin	32-pin
PFSEG04	SEG4	P15	√	√	√	√	√
PFSEG05	SEG5	P16	√	√	√	√	√
PFSEG06	SEG6	P17	√	√	√	√	√
PFSEG07	SEG7	P50	√	√	√	–	–
PFSEG08	SEG8	P51	√	√	–	–	–
PFSEG09	SEG9	P52	√	–	–	–	–
PFSEG10	SEG10	P53	√	–	–	–	–
PFSEG11	SEG11	P54	√	–	–	–	–
PFSEG12	SEG12	P74	√	–	–	–	–
PFSEG13	SEG13	P73	√	–	–	–	–
PFSEG14	SEG14	P72	√	–	–	–	–
PFSEG15	SEG15	P71	√	√	–	–	–
PFSEG16	SEG16	P70	√	√	√	–	–
PFSEG17	SEG17	P32	√	√	√	√	–
PFSEG18	SEG18	P31	√	√	√	√	–
PFSEG19	SEG19	P30	√	√	√	√	√
PFSEG20	SEG20	P61	√	√	√	√	√
PFSEG21	SEG21	P60	√	√	√	√	√
PFSEG22	SEG22	P43	√	–	–	–	–
PFSEG23	SEG23	P42	√	√	–	–	–
PFSEG24	SEG24	P41	√	√	√	–	–
PFSEG25	SEG25	P120	√	√	√	√	–
PFSEG26	SEG26	P141	√	√	√	√	–
PFSEG27	SEG27	P140	√	√	√	√	√
PFSEG28	SEG28	P10	√	√	√	√	√
PFSEG29	SEG29	P11	√	√	√	√	√
PFSEG30	SEG30	P12	√	√	√	√	√
PFSEG31	SEG31	P13	√	√	√	√	√
PFSEG32	SEG32	P14	√	√	√	√	√
PFSEG33	SEG33	P142	√	√	√	√	–
PFSEG34	SEG34	P143	√	√	√	√	–
PFSEG35	SEG35	P144	√	√	√	–	–
PFSEG36	SEG36	P145	√	√	–	–	–
PFSEG37	SEG37	P146	√	–	–	–	–
PFSEG38	SEG38	P147	√	–	–	–	–

Remark √: Supported, –: Not supported

4.3.10 LCD input switch control register (ISCLCD)

The CAPL/P126, CAPH/P127, and VL3/P125 pins are internally connected with a Schmitt trigger buffer. To use these pins as LCD function, input to the Schmitt trigger buffer must be disabled, in order to prevent through-currents from entering.

The ISCLCD register can be set by a 1-bit or 8-bit memory manipulation instruction.

Reset signal generation sets these registers to 00H.

Figure 4-10. Format of LCD input switch control register (ISCLCD)

Address: F0308H After reset: 00H R/W

Symbol	7	6	5	4	3	2	1	0
ISCLCD	0	0	0	0	0	0	ISCVL3	ISCCAP

ISCVL3	Control of schmitt trigger buffer of VL3/P125 pin
0	Makes digital input ineffective
1	Makes digital input effective

ISCCAP	Control of schmitt trigger buffer of CAPL/ P126 and CAPH/P127 pins
0	Makes digital input ineffective
1	Makes digital input effective

Cautions 1. If ISCVL3 bit = 0, set the corresponding port control registers as follows:

PU125 bit of PU12 register = 0, P125 bit of P12 register = 0

2. If ISCCAP bit = 0, set the corresponding port control registers as follows:

PU127 bit of PU12 register = 0, P127 bit of P12 register = 0

PU126 bit of PU12 register = 0, P126 bit of P12 register = 0

4.4 Port Function Operations

Port operations differ depending on whether the input or output mode is set, as shown below.

4.4.1 Writing to I/O port

(1) Output mode

A value is written to the output latch by a transfer instruction, and the output latch contents are output from the pin.

Once data is written to the output latch, it is retained until data is written to the output latch again.

The data of the output latch is cleared when a reset signal is generated.

(2) Input mode

A value is written to the output latch by a transfer instruction, but since the output buffer is off, the pin status does not change. Therefore, byte data can be written to the ports used for both input and output.

Once data is written to the output latch, it is retained until data is written to the output latch again.

The data of the output latch is cleared when a reset signal is generated.

4.4.2 Reading from I/O port

(1) Output mode

The output latch contents are read by a transfer instruction. The output latch contents do not change.

(2) Input mode

The pin status is read by a transfer instruction. The output latch contents do not change.

4.4.3 Operations on I/O port

(1) Output mode

An operation is performed on the output latch contents, and the result is written to the output latch. The output latch contents are output from the pins.

Once data is written to the output latch, it is retained until data is written to the output latch again.

The data of the output latch is cleared when a reset signal is generated.

(2) Input mode

The pin level is read and an operation is performed on its contents. The result of the operation is written to the output latch, but since the output buffer is off, the pin status does not change. Therefore, byte data can be written to the ports used for both input and output.

The data of the output latch is cleared when a reset signal is generated.

<R> 4.4.4 Connecting to external device with different potential (1.8 V, 2.5 V, 3 V)

It is possible to connect to an external device with a different potential (1.8 V, 2.5 V or 3 V) by changing EV_{DD} to accord with the power supply of the connected device. In products in which EV_{DD} cannot be specified independently, I/O connection with an external device operating on 1.8 V, 2.5 V or 3 V is still possible via the serial interface and general-purpose port by using port 1.

<R> 4.4.5 Handling different potential (1.8 V, 2.5 V, 3 V) by using I/O buffers

It is possible to connect an external device operating on a different potential (1.8 V, 2.5 V or 3 V) by switching I/O buffers with the port input mode register (PIM1) and port output mode register (POM1).

When receiving input from an external device with a different potential (1.8 V, 2.5 V or 3 V), set the port input mode register 1 (PIM1) on a bit-by-bit basis to enable normal input (CMOS)/TTL input buffer switching.

When outputting data to an external device with a different potential (1.8 V, 2.5 V or 3 V), set the port output mode register 1 (POM1) on a bit-by-bit basis to enable normal output (CMOS)/N-ch open drain (V_{DD} tolerance ^{Note 1}/EV_{DD} tolerance ^{Note 2}) switching.

The connection of a serial interface is described in the following.

- Notes**
1. For 32-, 44-, 48-, and 52-pin products
 2. For 64-pin products

(1) Setting procedure when using input pins of UART0, CSI00, and CSI01 functions for the TTL input buffer

In case of UART0: P11
 In case of CSI00: P10, P11
 In case of CSI01: P15, P16

- <1> Using an external resistor, pull up externally the pin to be used to the power supply of the target device (on-chip pull-up resistor cannot be used).
- <2> Set the corresponding bit of the PIM1 register to 1 to switch to the TTL input buffer. For V_{IH} and V_{IL}, refer to the DC characteristics when the TTL input buffer is selected.
- <3> Enable the operation of the serial array unit and set the mode to the UART/CSI mode.

(2) Setting procedure when using output pins of UART0, CSI00, and CSI01 functions in N-ch open-drain output mode

In case of UART0: P12
In case of CSI00: P10, P12
In case of CSI01: P15, P17

- <1> Using an external resistor, pull up externally the pin to be used to the power supply of the target device (on-chip pull-up resistor cannot be used).
- <2> After reset release, the port mode is the input mode (Hi-Z).
- <3> Set the output latch of the corresponding port to 1.
- <4> Set the corresponding bit of the POM1 register to 1 to set the N-ch open drain output (V_{DD} tolerance ^{Note 1} / E_{VDD} tolerance ^{Note 2}) mode.
- <5> Enable the operation of the serial array unit and set the mode to the UART/CSI mode.
- <6> Set the corresponding bit of the PM1 register to the output mode. At this time, the output data is high level, so the pin is in the Hi-Z state.

- Notes**
1. For 32-, 44-, 48-, and 52-pin products
 2. For 64-pin products

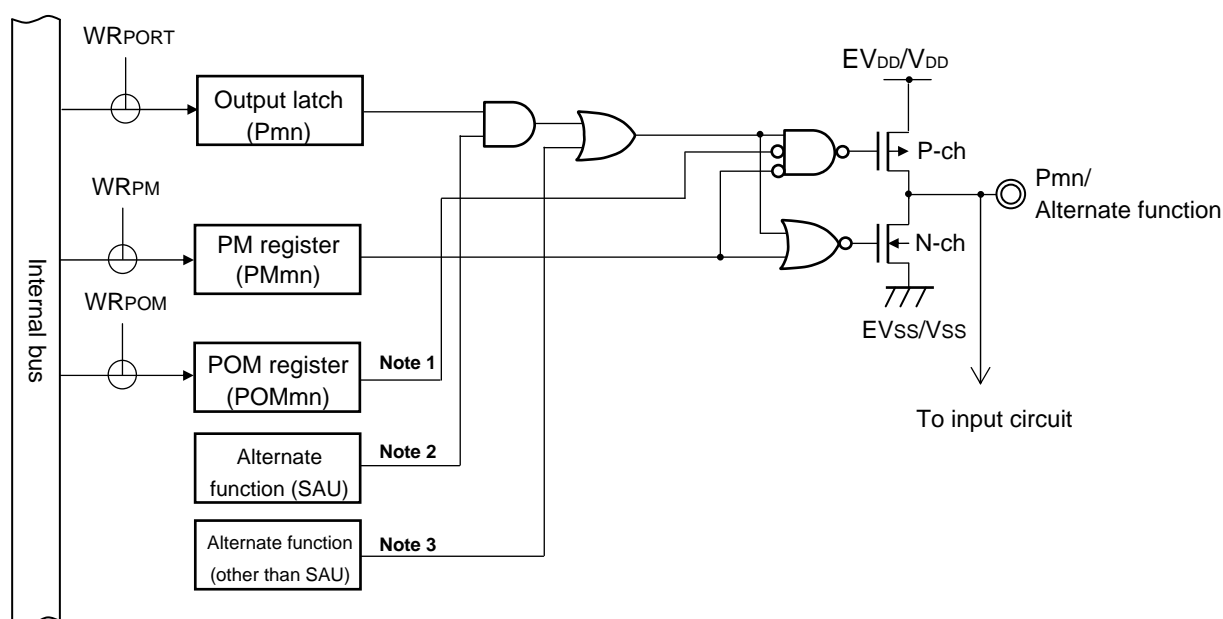
4.5 Register Settings When Using Alternate Function

<R> 4.5.1 Basic concept when using alternate function

In the beginning, for a pin also assigned to be used for analog input, use the ADPC register or port mode control register (PMCxx) to specify whether to use the pin for analog input or digital input/output.

Figure 4-11 shows the basic configuration of an output circuit for pins used for digital input/output. The output of the output latch for the port and the output of the alternate SAU function are input to an AND gate. The output of the AND gate is input to an OR gate. The output of an alternate function other than SAU (TAU, RTC, clock/buzzer output, IICA, etc.) is connected to the other input pin of the OR gate. When such kind of pins are used by the port function or an alternate function, the unused alternate function must not hinder the output of the function to be used. An idea of basic settings for this kind of case is shown in Table 4-5.

Figure 4-11. Basic Configuration of Output Circuit for Pins



- Notes**
1. When there is no POM register, this signal should be considered to be low level (0).
 2. When there is no alternate function, this signal should be considered to be high level (1).
 3. When there is no alternate function, this signal should be considered to be low level (0).

Remark m: Port number (m = 1 to 7, 12 to 14); n: Bit number (n = 0 to 7)

Table 4-5. Concept of Basic Settings

Output Function of Used Pin	Output Settings of Unused Alternate Function		
	Output Function for Port	Output Function for SAU	Output Function for other than SAU
Output function for port	—	Output is high (1)	Output is low (0)
Output function for SAU	High (1)	—	Output is low (0)
Output function for other than SAU	Low (0)	Output is high (1)	Output is low (0) ^{Note}

Note Since more than one output function other than SAU may be assigned to a single pin, the output of an unused alternate function must be set to low level (0). For details on the setting method, see **4.5.2 Register settings for alternate function whose output function is not used**.

<R> 4.5.2 Register settings for alternate function whose output function is not used

When the output of an alternate function of the pin is not used, the following settings should be made. Note that when the peripheral I/O redirection function is the target, the output can be switched to another pin by setting the peripheral I/O redirection register (PIOR). This allows usage of the port function or other alternate function assigned to the target pin.

(1) $SOp = 1, TxDq = 1$ (settings when the serial output (SO_p/TxD_q) of SAU is not used)

When the serial output (SO_p/TxD_q) is not used, such as, a case in which only the serial input of SAU is used, set the bit in serial output enable register *m* (SOE_m) which corresponds to the unused output to 0 (output disabled) and set the SO_m*n* bit in serial output register *m* (SO_m) to 1 (high). These are the same settings as the initial state.

(2) $SCKp = 1, SDAr = 1, SCLr = 1$ (settings when channel *n* in SAU is not used)

When SAU is not used, set bit *n* (SE_m*n*) in serial channel enable status register *m* (SE_m) to 0 (operation stopped state), set the bit in serial output enable register *m* (SOE_m) which corresponds to the unused output to 0 (output disabled), and set the SO_m*n* and CKO_m*n* bits in serial output register *m* (SO_m) to 1 (high). These are the same settings as the initial state.

(3) $TOmn = 0$ (settings when the output of channel *n* in TAU is not used)

When the TO_m*n* output of TAU is not used, set the bit in timer output enable register 0 (TOE0) which corresponds to the unused output to 0 (output disabled) and set the bit in timer output register 0 (TO0) to 0 (low). These are the same settings as the initial state.

(4) $SDAAn = 0, SCLAn = 0$ (setting when IICA is not used)

When IICA is not used, set the IICEn bit in IICA control register *n*0 (IICCTL*n*0) to 0 (operation stopped). This is the same setting as the initial state.

(5) $PCLBUZn = 0$ (setting when clock/buzzer output is not used)

When the clock/buzzer output is not used, set the PCLOEn bit in clock output select register *n* (CKS*n*) to 0 (output disabled). This is the same setting as the initial state.

<R> 4.5.3 Register setting examples for used port and alternate functions

Register setting examples for used port and alternate functions are shown in Table 4-6. The registers used to control the port functions should be set as shown in Table 4-6. See the following remark for legends used in Table 4-6.

Remark	—:	Not supported
	x:	don't care
	PIORx:	Peripheral I/O redirection register
	POMxx:	Port output mode register
	PMCxx:	Port mode control register
	PMxx:	Port mode register
	Pxx:	Port output latch
	PUxx:	Pull-up resistor option register
	PIMxx:	Port input mode register
	PFSEG xx:	LCD port function register
	ISCLCD:	LCD input switch control register

Table 4-6. Setting Examples of Registers and Output Latches When Using Alternate Function (1/6)

Pin Name	Used Function		PIORx	POMxx	PMCxx	PMxx	Pxx	PUxx	PIMxx	PFSEGxx	ISCLCD
	Function Name	I/O									
P10	P10	Input	x	x	—	1	x	0/1	0/1	0	—
		Output	x	0/1	—	0	0/1	x	x	0	—
	_SCK00	Input	x	x	—	1	x	0/1	0/1	0	—
		Output	x	0/1	—	0	1	x	x	0	—
	SEG28	Output	x	0	—	0	0	0	0	1	—
P11	P11	Input	x	—	—	1	x	0/1	0/1	0	—
		Output	x	—	—	0	0/1	x	x	0	—
	SI00	Input	x	—	—	1	x	0/1	0/1	0	—
	RxD0	Input	x	—	—	1	x	0/1	0/1	0	—
	TOOLRxD	Input	x	—	—	1	x	0/1	0/1	0	—
	SEG29	Output	x	—	—	0	0	0	0	1	—
P12	P12	Input	x	x	—	1	x	0/1	—	0	—
		Output	x	0/1	—	0	0/1	x	—	0	—
	SO00	Output	x	0/1	—	0	1	x	—	0	—
	TxD0	Output	x	0/1	—	0	1	x	—	0	—
	TOOLTxD	Output	x	0/1	—	0	1	x	—	0	—
	SEG30	Output	x	0	—	0	0	0	—	1	—
P13	P13	Input	x	—	0	1	x	0/1	—	0	—
		Output	x	—	0	0	0/1	x	—	0	—
	ANI18	Input	x	—	1	1	x	x	—	—	—
	SEG31	Output	x	—	0	0	0	0	—	1	—
P14	P14	Input	x	—	0	1	x	0/1	—	0	—
		Output	x	—	0	0	0/1	x	—	0	—
	ANI19	Input	x	—	1	1	x	x	—	—	—
	SEG32	Output	x	—	0	0	0	0	—	1	—
P15	P15	Input	—	x	—	1	x	0/1	0/1	0	—
		Output	—	0/1	—	0	0/1	x	x	0	—
	_SCK01	Input	x	x	—	1	x	0/1	0/1	0	—
		Output	x	0/1	—	0	1	x	x	0	—
	INTP1	Input	PIOR0 = 0	x	—	1	x	0/1	0/1	0	—
	SEG4	Output	x	0	—	0	0	0	0	1	—
P16	P16	Input	x	—	—	1	x	0/1	0/1	0	—
		Output	x	—	—	0	0/1	x	x	0	—
	SI01	Input	x	—	—	1	x	0/1	0/1	0	—
	INTP2	Input	PIOR0 = 0	—	—	1	x	0/1	0/1	0	—
	SEG5	Output	x	—	—	0	0	0	0	1	—
P17	P17	Input	x	x	—	1	x	0/1	—	0	—
		Output	x	0/1	—	0	0/1	x	—	0	—
	SO01	Output	x	0/1	—	0	1	x	—	0	—
	TI02	Input	PIOR0 = 0	x	—	1	x	0/1	—	0	—
	TO02	Output	PIOR0 = 0	0/1	—	0	0	x	—	0	—
	SEG6	Output	x	0	—	0	0	0	—	1	—

Table 4-6. Setting Examples of Registers and Output Latches When Using Alternate Function (2/6)

Pin Name	Used Function		PIORx	POMxx	PMCxx	PMxx	Pxx	PUxx	PIMxx	PFSEGxx	ISCLCD
	Function Name	I/O									
P20	P20	Input	x	—	—	1	x	—	—	—	—
		Output	x	—	—	0	0/1	—	—	—	—
	ANI0	Input	x	—	—	1	x	—	—	—	—
	AVREFP	Input	x	—	—	1	x	—	—	—	—
P21	P21	Input	x	—	—	1	x	—	—	—	—
		Output	x	—	—	0	0/1	—	—	—	—
	ANI1	Input	x	—	—	1	x	—	—	—	—
	AVREFM	Input	x	—	—	1	x	—	—	—	—
P30	P30	Input	x	—	—	1	x	0/1	—	0	—
		Output	x	—	—	1	0/1	x	—	0	—
	TI01	Input	x	—	—	1	x	0/1	—	0	—
	TO01	Output	x	—	—	0	0	x	—	0	—
	SEG19	Output	x	—	—	0	0	0	—	1	—
P31	P31	Input	x	—	—	1	x	0/1	—	0	—
		Output	x	—	—	0	0/1	x	—	0	—
	INTP3	Input	x	—	—	1	x	0/1	—	0	—
	RTC1HZ	Output	x	—	—	0	0	x	—	0	—
	SEG18	Output	x	—	—	0	0	0	—	1	—
P32	P32	Input	x	—	—	1	x	0/1	—	0	—
		Output	x	—	—	0	0/1	x	—	0	—
	TI03	Input	x	—	—	1	x	0/1	—	0	—
	TO03	Output	x	—	—	0	0	x	—	0	—
	INTP4	Input	x	—	—	1	x	0/1	—	0	—
	SEG17	Output	x	—	—	0	0	0	—	1	—
P40	P40	Input	x	—	—	1	x	0/1	—	—	—
		Output	x	—	—	0	0/1	x	—	—	—
	TOOL0	I/O	x	—	—	x	x	x	—	—	—
P41	P41	Input	x	—	0	1	x	0/1	—	0	—
		Output	x	—	0	0	0/1	x	—	0	—
	ANI16	Input	x	—	1	1	x	x	—	—	—
	TI04	Input	x	—	0	1	x	0/1	—	0	—
	TO04	Output	x	—	0	0	0	x	—	0	—
	SEG24	Output	x	—	0	0	0	0	—	1	—
P42	P42	Input	x	—	—	1	x	0/1	—	0	—
		Output	x	—	—	0	0/1	x	—	0	—
	TI05	Input	x	—	—	1	x	0/1	—	0	—
	TO05	Output	x	—	—	0	0	x	—	0	—
	SEG23	Output	x	—	—	0	0	0	—	1	—
P43	P43	Input	x	—	—	1	x	0/1	—	0	—
		Output	x	—	—	0	0/1	x	—	0	—
	INTP7	Input	PIOR0 = 0	—	—	1	x	0/1	—	0	—
	SEG22	Output	x	—	—	0	0	0	—	1	—

Table 4-6. Setting Examples of Registers and Output Latches When Using Alternate Function (3/6)

Pin Name	Used Function		PIORx	POMxx	PMCxx	PMxx	Pxx	PUxx	PIMxx	PFSEGxx	ISCLCD
	Function Name	I/O									
P50	P50	Input	x	—	—	1	x	0/1	—	0	—
		Output	x	—	—	0	0/1	x	—	0	—
	INTP5	Input	x	—	—	1	x	0/1	—	0	—
	SEG7	Output	x	—	—	0	0	0	—	1	—
	(PCLBUZ0)	Output	PIOR1 = 1	—	—	0	0	x	—	0	—
P51	P51	Input	x	—	—	1	x	0/1	—	0	—
		Output	x	—	—	0	0/1	x	—	0	—
	TI06	Input	x	—	—	1	x	0/1	—	0	—
	TO06	Output	x	—	—	0	0	x	—	0	—
	SEG8	Output	x	—	—	0	0	0	—	1	—
P52	P52	Input	x	—	—	1	x	0/1	—	0	—
		Output	x	—	—	0	0/1	x	—	0	—
	INTP6	Input	PIOR0 = 0	—	—	1	x	0/1	—	0	—
	SEG9	Output	x	—	—	0	0	0	—	1	—
P53	P53	Input	x	—	—	1	x	0/1	—	0	—
		Output	x	—	—	0	0/1	x	—	0	—
	TI07	Input	x	—	—	1	x	0/1	—	0	—
	TO07	Output	x	—	—	0	0	x	—	0	—
	SEG10	Output	x	—	—	0	0	0	—	1	—
	(INTP1)	Input	PIOR0 = 1	—	—	1	x	0/1	—	0	—
P54	P54	Input	x	—	—	1	x	0/1	—	0	—
		Output	x	—	—	0	0/1	x	—	0	—
	SEG11	Output	x	—	—	0	0	0	—	1	—
	(TI02)	Input	PIOR0 = 1	—	—	1	x	0/1	—	0	—
	(TO02)	Output	PIOR0 = 1	—	—	0	0	x	—	0	—
	(INTP2)	Input	PIOR0 = 1	—	—	1	x	0/1	—	0	—

Table 4-6. Setting Examples of Registers and Output Latches When Using Alternate Function (4/6)

Pin Name	Used Function		PIORx	POMxx	PMCxx	PMxx	Pxx	PUxx	PIMxx	PFSEGxx	ISCLCD
	Function Name	I/O									
P60	P60	Input	x	—	—	1	x	—	—	0	—
		Output	x	—	—	0	0/1	—	—	0	—
	SCLA0	I/O	x	—	—	0	0	—	—	0	—
	SEG21	Output	x	—	—	0	0	—	—	1	—
P61	P61	Input	x	—	—	1	x	—	—	0	—
		Output	x	—	—	0	0/1	—	—	0	—
	SDAA0	I/O	x	—	—	0	0	—	—	0	—
	SEG20	Output	x	—	—	0	0	—	—	1	—
P70	P70	Input	x	—	—	1	x	0/1	—	0	—
		Output	x	—	—	0	0/1	x	—	0	—
	KR0	Input	x	—	—	1	x	0/1	—	0	—
	SEG16	Output	x	—	—	0	0	0	—	1	—
P71	P71	Input	x	—	—	1	x	0/1	—	0	—
		Output	x	—	—	0	0/1	x	—	0	—
	KR1	Input	x	—	—	1	x	0/1	—	0	—
	SEG15	Output	x	—	—	0	0	0	—	1	—
P72	P72	Input	x	—	—	1	x	0/1	—	0	—
		Output	x	—	—	0	0/1	x	—	0	—
	KR2	Input	x	—	—	1	x	0/1	—	0	—
	SEG14	Output	x	—	—	0	0	0	—	1	—
P73	P73	Input	x	—	—	1	x	0/1	—	0	—
		Output	x	—	—	0	0/1	x	—	0	—
	KR3	Input	x	—	—	1	x	0/1	—	0	—
	SEG13	Output	x	—	—	0	0	0	—	1	—
P74	P74	Input	x	—	—	1	x	0/1	—	0	—
		Output	x	—	—	0	0/1	x	—	0	—
	SEG12	Output	x	—	—	0	0	0	—	1	—

Table 4-6. Setting Examples of Registers and Output Latches When Using Alternate Function (5/6)

Pin Name	Used Function		PIORx	POMxx	PMCxx	PMxx	Pxx	PUxx	PIMxx	PFSEGxx	ISCLCD
	Function Name	I/O									
P120	P120	Input	x	—	0	1	x	0/1	—	0	—
		Output	x	—	0	0	0/1	x	—	0	—
	ANI17	Input	x	—	1	1	x	x	—	—	—
	SEG25	Output	x	—	0	0	0	0	—	1	—
P121	P121	Input	x	—	—	—	x	—	—	—	—
		Output	x	—	—	—	0/1	—	—	—	—
	X1	Input	x	—	—	—	x	—	—	—	—
P122	P122	Input	x	—	—	—	x	—	—	—	—
		Output	x	—	—	—	0/1	—	—	—	—
	X2	Input	x	—	—	—	x	—	—	—	—
	EXCLK	Input	x	—	—	—	x	—	—	—	—
P123	P123	Input	x	—	—	—	x	—	—	—	—
		Output	x	—	—	—	0/1	—	—	—	—
	XT1	Input	x	—	—	—	x	—	—	—	—
P124	P124	Input	x	—	—	—	x	—	—	—	—
		Output	x	—	—	—	0/1	—	—	—	—
	XT2	Input	x	—	—	—	x	—	—	—	—
	EXCLKS	Input	x	—	—	—	x	—	—	—	—
P125	P125	Input	x	—	—	1	x	0/1	—	—	0
		Output	x	—	—	0	0/1	x	—	—	0
	VL3	I/O	x	—	—	1	0	0	—	—	1
P126	P126	Input	x	—	—	1	x	0/1	—	—	0
		Output	x	—	—	0	0/1	x	—	—	0
	CAPL	I/O	x	—	—	1	0	0	—	—	1
P127	P127	Input	x	—	—	1	x	0/1	—	—	0
		Output	x	—	—	0	0/1	x	—	—	0
	CAPH	I/O	x	—	—	1	0	0	—	—	1

Table 4-6. Setting Examples of Registers and Output Latches When Using Alternate Function (6/6)

Pin Name	Used Function		PIORx	POMxx	PMCxx	PMxx	Pxx	PUxx	PIMxx	PFSEGxx	ISCLCD
	Function Name	I/O									
P130	P130	Output	x	—	—	—	0/1	—	—	—	—
P137	P137	Input	x	—	—	—	x	—	—	—	—
	INTP0	Input	x	—	—	—	x	—	—	—	—
P140	P140	Input	x	—	—	1	x	0/1	—	0	—
		Output	x	—	—	0	0/1	x	—	0	—
	TO00	Output	x	—	—	0	0	x	—	0	—
	PCLBUZ0	Output	PIOR1 = 0	—	—	0	0	x	—	0	—
	SEG27	Output	x	—	—	0	0	0	—	1	—
	(INTP6)	Input	PIOR0 = 1	—	—	1	x	0/1	—	0	—
P141	P141	Input	x	—	—	1	x	0/1	—	0	—
		Output	x	—	—	0	0/1	x	—	0	—
	TI00	Input	x	—	—	1	x	0/1	—	0	—
	PCLBUZ1	Output	x	—	—	0	0	x	—	0	—
	SEG26	Output	x	—	—	0	0	0	—	1	—
	(INTP7)	Input	PIOR0 = 1	—	—	1	x	0/1	—	0	—
P142	P142	Input	x	—	0	1	x	0/1	—	0	—
		Output	x	—	0	0	0/1	x	—	0	—
	ANI20	Input	x	—	1	1	x	x	—	—	—
	SEG33	Output	x	—	0	0	0	0	—	1	—
P143	P143	Input	x	—	0	1	x	0/1	—	0	—
		Output	x	—	0	0	0/1	x	—	0	—
	ANI21	Input	x	—	1	1	x	x	—	—	—
	SEG34	Output	x	—	0	0	0	0	—	1	—
P144	P144	Input	x	—	0	1	x	0/1	—	0	—
		Output	x	—	0	0	0/1	x	—	0	—
	ANI22	Input	x	—	1	1	x	x	—	—	—
	SEG35	Output	x	—	0	0	0	0	—	1	—
P145	P145	Input	x	—	0	1	x	0/1	—	0	—
		Output	x	—	0	0	0/1	x	—	0	—
	ANI23	Input	x	—	1	1	x	x	—	—	—
	SEG36	Output	x	—	0	0	0	0	—	1	—
P146	P146	Input	x	—	—	1	x	0/1	—	0	—
		Output	x	—	—	0	0/1	x	—	0	—
	SEG37	Output	x	—	—	0	0	0	—	1	—
P147	P147	Input	x	—	—	1	x	0/1	—	0	—
		Output	x	—	—	0	0/1	x	—	0	—
	SEG38	Output	x	—	—	0	0	0	—	1	—

4.6 Cautions When Using Port Function

4.6.1 Cautions on 1-Bit Manipulation Instruction for Port Register n (Pn)

When a 1-bit manipulation instruction is executed on a port that provides both input and output functions, the output latch value of an input port that is not subject to manipulation may be written in addition to the targeted bit.

Therefore, it is recommended to rewrite the output latch when switching a port from input mode to output mode.

<Example> When P10 is an output port, P11 to P17 are input ports (all pin statuses are high level), and the port latch value of port 1 is 00H, if the output of output port P10 is changed from low level to high level via a 1-bit manipulation instruction, the output latch value of port 1 is FFH.

Explanation: The targets of writing to and reading from the Pn register of a port whose PMnm bit is 1 are the output latch and pin status, respectively.

A 1-bit manipulation instruction is executed in the following order in the RL78/L12.

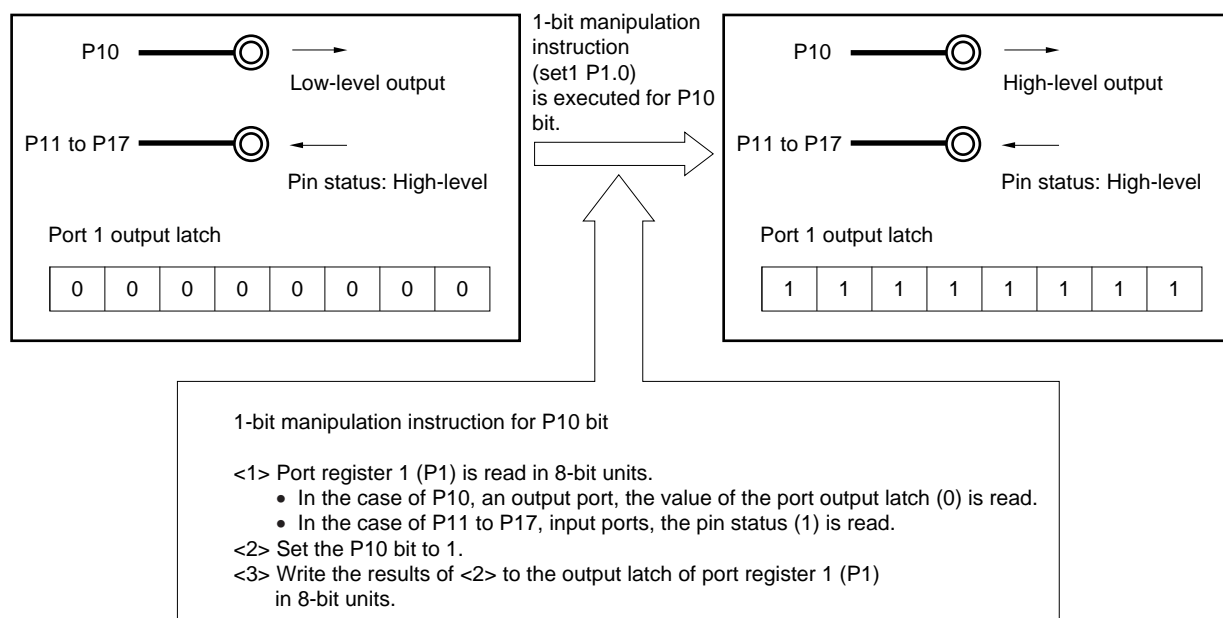
- <1> The Pn register is read in 8-bit units.
- <2> The targeted one bit is manipulated.
- <3> The Pn register is written in 8-bit units.

In step <1>, the output latch value (0) of P10, which is an output port, is read, while the pin statuses of P11 to P17, which are input ports, are read. If the pin statuses of P11 to P17 are high level at this time, the read value is FEH.

The value is changed to FFH by the manipulation in <2>.

FFH is written to the output latch by the manipulation in <3>.

Figure 4-12. Bit Manipulation Instruction (P10)



4.6.2 Notes on specifying the pin settings

For an output pin to which multiple new functions are assigned, the output of the unused alternate function must be set to its initial state so as to prevent conflicting outputs. This also applies to the functions assigned by using the peripheral I/O redirection register (PIOR). For details about the alternate output function, see **4.5 Register Settings When Using Alternate Function**.

No specific setting is required for input pins because the output function of their alternate functions is disabled (the buffer output is Hi-Z).

<R> Disabling the unused functions, including blocks that are only used for input or do not have I/O, is recommended to lower power consumption.

CHAPTER 5 CLOCK GENERATOR

The presence or absence of connecting resonator pin for main system clock, connecting resonator pin for subsystem clock, external clock input pin for main system clock, and external clock input pin for subsystem clock, depends on the product.

Output pin	32-pin	44, 48, 52, 64-pin
X1, X2 pins	√	√
EXCLK pin	√	√
XT1, XT2 pins	–	√
EXCLKS pin	–	√

Caution The 32-pin products don't have the subsystem clock.

5.1 Functions of Clock Generator

The clock generator generates the clock to be supplied to the CPU and peripheral hardware.

The following three kinds of system clocks and clock oscillators are selectable.

(1) Main system clock

<1> X1 oscillator

This circuit oscillates a clock of $f_x = 1$ to 20 MHz by connecting a resonator to X1 and X2.

Oscillation can be stopped by executing the STOP instruction or setting of the MSTOP bit (bit 7 of the clock operation status control register (CSC)).

<2> High-speed on-chip oscillator

The frequency at which to oscillate can be selected from among $f_{IH} = 24, 16, 12, 8, 4,$ or 1 MHz (typ.) by using the option byte (000C2H). After a reset release, the CPU always starts operating with this high-speed on-chip oscillator clock. Oscillation can be stopped by executing the STOP instruction or setting the HIOSTOP bit (bit 0 of the CSC register).

The frequency specified by using an option byte can be changed by using the high-speed on-chip oscillator frequency select register (HOCODIV). For details about the frequency, see **Figure 5-9 Format of High-speed On-chip Oscillator Frequency Select Register (HOCODIV)**.

The frequencies that can be specified for the high-speed on-chip oscillator by using the option byte and the high-speed on-chip oscillator frequency select register (HOCODIV) are shown below.

Power Supply Voltage	Oscillation Frequency (MHz)								
	1	2	3	4	6	8	12	16	24
$2.7\text{ V} \leq V_{DD} \leq 5.5\text{ V}$	√	√	√	√	√	√	√	√	√
$2.4\text{ V} \leq V_{DD} < 2.7\text{ V}$	√	√	√	√	√	√	√	√	–
$1.8\text{ V} \leq V_{DD} < 2.4\text{ V}$	√	√	√	√	√	√	–	–	–
$1.6\text{ V} \leq V_{DD} < 1.8\text{ V}$	√	√	–	√	–	–	–	–	–

An external main system clock ($f_{EX} = 1$ to 20 MHz) can also be supplied from the EXCLK/X2/P122 pin. An external main system clock input can be disabled by executing the STOP instruction or setting of the MSTOP bit.

As the main system clock, a high-speed system clock (X1 clock or external main system clock) or high-speed on-chip oscillator clock can be selected by setting of the MCM0 bit (bit 4 of the system clock control register (CKC)).

(2) Subsystem clock

• XT1 clock oscillator

This circuit oscillates a clock of $f_{XT} = 32.768$ kHz by connecting a 32.768 kHz resonator to XT1 and XT2. Oscillation can be stopped by setting the XTSTOP bit (bit 6 of the clock operation status control register (CSC)).

An external subsystem clock ($f_{EXS} = 32.768$ KHz) can also be supplied from the EXCLKS/XT2/P124 pin. An external subsystem clock input can be disabled by setting the XTSTOP bit.

(3) Low-speed on-chip oscillator clock

This circuit oscillates a clock of $f_{IL} = 15$ kHz (TYP.).

The low-speed on-chip oscillator clock cannot be used as the CPU clock.

Only the following peripheral hardware runs on the low-speed on-chip oscillator clock.

- Watchdog timer
- Real-time clock
- 12-bit interval timer
- LCD driver/controller

<R> This clock operates when bit 4 (WDTON) of the option byte (000C0H), bit 4 (WUTMMCK0) of the subsystem clock supply mode control register, or both are set to 1. However, when WDTON = 1, WUTMMCK0 = 0, and bit 0 (WDSTBYON) of the option byte (000C0H) is 0, oscillation of the low-speed on-chip oscillator stops if the HALT or STOP instruction is executed.

Caution The low-speed on-chip oscillator clock (f_{IL}) can only be selected as the real-time clock operation clock when the fixed-cycle interrupt function is used.

Remark

- fx: X1 clock oscillation frequency
- f_{IH} : High-speed on-chip oscillator clock frequency
- f_{EX} : External main system clock frequency
- f_{XT} : XT1 clock oscillation frequency
- f_{EXS} : External subsystem clock frequency
- f_{IL} : Low-speed on-chip oscillator clock frequency

5.2 Configuration of Clock Generator

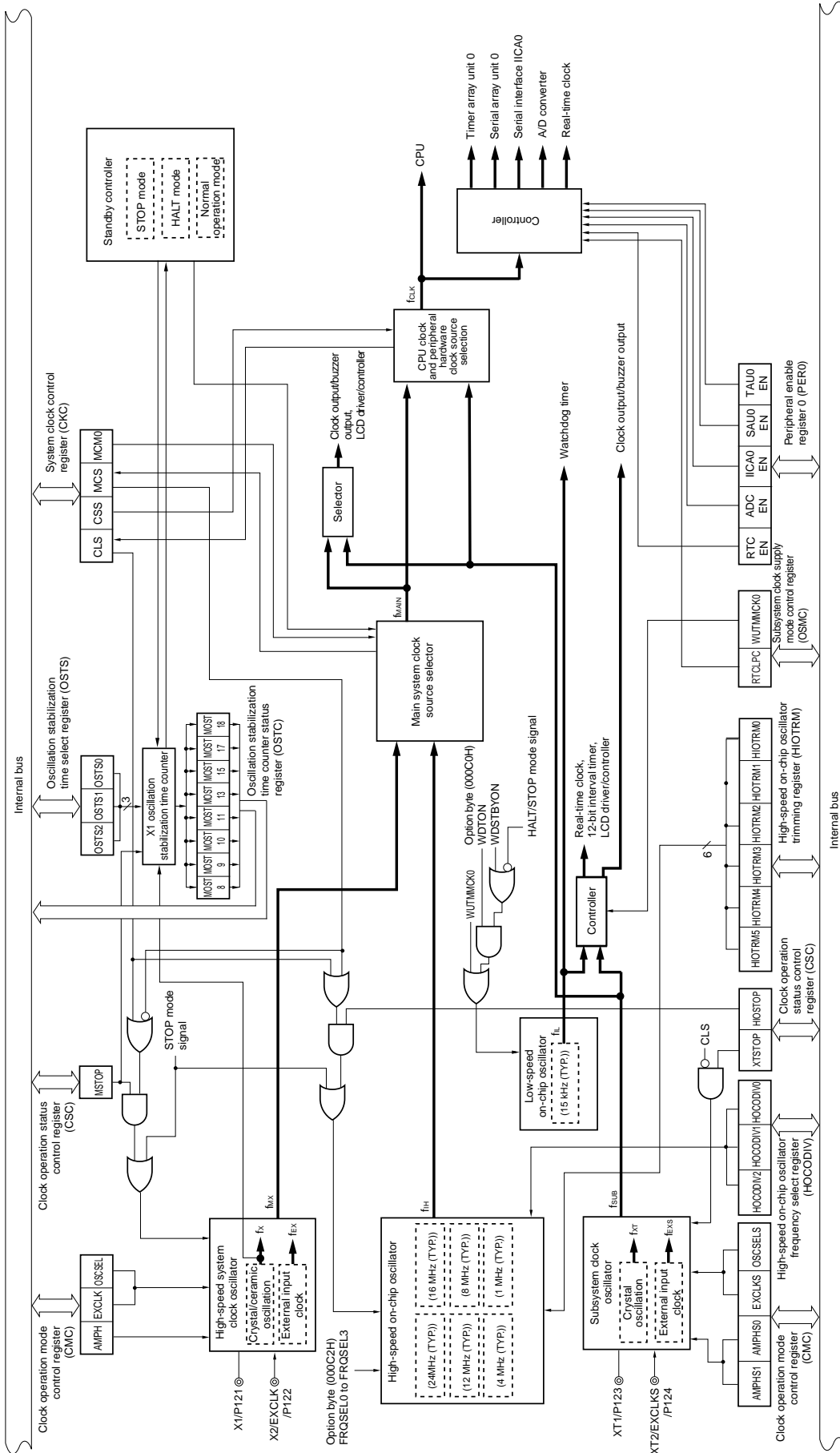
The clock generator includes the following hardware.

Table 5-1. Configuration of Clock Generator

Item	Configuration
Control registers	Clock operation mode control register (CMC) System clock control register (CKC) Clock operation status control register (CSC) Oscillation stabilization time counter status register (OSTC) Oscillation stabilization time select register (OSTS) Peripheral enable register 0 (PER0) Subsystem clock supply mode control register (OSMC) High-speed on-chip oscillator frequency select register (HOCODIV) High-speed on-chip oscillator trimming register (HIOTRM)
Oscillators	X1 oscillator XT1 oscillator High-speed on-chip oscillator Low-speed on-chip oscillator

<R>

Figure 5-1. Block Diagram of Clock Generator



(Remark is listed on the next page after next.)

<R>

Remark	fx:	X1 clock oscillation frequency
	f_{1H}:	High-speed on-chip oscillator clock frequency
	f_{EX}:	External main system clock frequency
	f_{MX}:	High-speed system clock frequency
	f_{MAIN}:	Main system clock frequency
	f_{XT}:	XT1 clock oscillation frequency
	f_{EXS}:	External subsystem clock frequency
	f_{SUB}:	Subsystem clock frequency
	f_{CLK}:	CPU/peripheral hardware clock frequency
	f_{IL}:	Low-speed on-chip oscillator clock frequency

5.3 Registers Controlling Clock Generator

The following nine registers are used to control the clock generator.

- Clock operation mode control register (CMC)
- System clock control register (CKC)
- Clock operation status control register (CSC)
- Oscillation stabilization time counter status register (OSTC)
- Oscillation stabilization time select register (OSTS)
- Peripheral enable register 0 (PER0)
- <R> • Subsystem clock supply mode control register (OSMC)
- High-speed on-chip oscillator frequency select register (HOCODIV)
- High-speed on-chip oscillator trimming register (HIOTRM)

5.3.1 Clock operation mode control register (CMC)

This register is used to set the operation mode of the X1/P121, X2/EXCLK/P122, XT1/P123, and XT2/EXCLKS/P124 pins, and to select a gain of the oscillator.

The CMC register can be written only once by an 8-bit memory manipulation instruction after reset release. This register can be read by an 8-bit memory manipulation instruction.

Reset signal generation clears this register to 00H.

Figure 5-2. Format of Clock Operation Mode Control Register (CMC)

Address: FFFA0H After reset: 00H R/W

Symbol	7	6	5	4	3	2	1	0
CMC	EXCLK	OSCSEL	EXCLKS	OSCSELS	0	AMPHS1	AMPHS0	AMPH

EXCLK	OSCSEL	High-speed system clock pin operation mode	X1/P121 pin	X2/EXCLK/P122 pin
0	0	Input port mode	Input port	
0	1	X1 oscillation mode	Crystal/ceramic resonator connection	
1	0	Input port mode	Input port	
1	1	External clock input mode	Input port	External clock input

EXCLKS	OSCSELS	Subsystem clock pin operation mode	XT1/P123 pin	XT2/EXCLKS/P124 pin
0	0	Input port mode	Input port	
0	1	XT1 oscillation mode	Crystal resonator connection	
1	0	Input port mode	Input port	
1	1	External clock input mode	Input port	External clock input

AMPHS1	AMPHS0	XT1 oscillator oscillation mode selection
0	0	Low power consumption oscillation (default)
0	1	Normal oscillation
1	0	Ultra-low power consumption oscillation
1	1	Setting prohibited

AMPH	Control of X1 clock oscillation frequency
0	1 MHz ≤ f _x ≤ 10 MHz
1	10 MHz < f _x ≤ 20 MHz

- Cautions 1.** The CMC register can be written only once after reset release, by an 8-bit memory manipulation instruction. When using the CMC register with its initial value (00H), be sure to set the register to 00H after a reset ends in order to prevent malfunction due to a program loop. Such a malfunction becomes unrecoverable when a value other than 00H is mistakenly written.
2. After reset release, set the CMC register before X1 or XT1 oscillation is started as set by the clock operation status control register (CSC).
 3. Be sure to set the AMPH bit to 1 if the X1 clock oscillation frequency exceeds 10 MHz.
 4. Specify the settings for the AMPH, AMPHS1, and AMPHS0 bits while f_{IH} is selected as f_{CLK} after a reset ends (before f_{CLK} is switched to f_{MX}).
 5. Oscillation stabilization time of f_{XT}, counting on the software.
 6. Although the maximum system clock frequency is 24 MHz, the maximum frequency of the X1 oscillator is 20 MHz.

(Cautions and Remark are given on the next page.)

Cautions 7. The XT1 oscillator is a circuit with low amplification in order to achieve low-power consumption. Note the following points when designing the circuit.

- Pins and circuit boards include parasitic capacitance. Therefore, perform oscillation evaluation using a circuit board to be actually used and confirm that there are no problems.
- Before using the ultra-low power consumption oscillation (AMPHS1, AMPHS0 = 1, 0) as the mode of the XT1 oscillator, evaluate the resonators.
- Make the wiring between the XT1 and XT2 pins and the resonators as short as possible, and minimize the parasitic capacitance and wiring resistance. Note this particularly when the ultra-low power consumption oscillation (AMPHS1, AMPHS0 = 1, 0) is selected.
- Configure the circuit of the circuit board, using material with little wiring resistance.
- Place a ground pattern that has the same potential as V_{SS} as much as possible near the XT1 oscillator.
- Be sure that the signal lines between the XT1 and XT2 pins, and the resonators do not cross with the other signal lines. Do not route the wiring near a signal line through which a high fluctuating current flows.
- The impedance between the XT1 and XT2 pins may drop and oscillation may be disturbed due to moisture absorption of the circuit board in a high-humidity environment or dew condensation on the board. When using the circuit board in such an environment, take measures to damp-proof the circuit board, such as by coating.
- When coating the circuit board, use material that does not cause capacitance or leakage between the XT1 and XT2 pins.

Remark fx: X1 clock frequency

5.3.2 System clock control register (CKC)

This register is used to select a CPU/peripheral hardware clock and main system clock.

The CKC register can be set by a 1-bit or 8-bit memory manipulation instruction.

Reset signal generation sets this register to 00H.

Figure 5-3. Format of System Clock Control Register (CKC)

Address: FFFA4H After reset: 00H R/W^{Note 1}

Symbol	<7>	<6>	<5>	<4>	3	2	1	0
CKC	CLS	CSS	MCS	MCM0	0	0	0	0

CLS	Status of CPU/peripheral hardware clock (f _{CLK})
0	Main system clock (f _{MAIN})
1	Subsystem clock (f _{SUB})

CSS	Selection of CPU/peripheral hardware clock (f _{CLK})
0	Main system clock (f _{MAIN})
1 ^{Note 2}	Subsystem clock (f _{SUB})

MCS	Status of Main system clock (f _{MAIN})
0	High-speed on-chip oscillator clock (f _{IH})
1	High-speed system clock (f _{MX})

MCM0 ^{Note 2}	Main system clock (f _{MAIN}) operation control
0	Selects the high-speed on-chip oscillator clock (f _{IH}) as the main system clock (f _{MAIN})
1	Selects the high-speed system clock (f _{MX}) as the main system clock (f _{MAIN})

- Notes**
- Bits 7 and 5 are read-only.
 - Changing the value of the MCM0 bit is prohibited while the CSS bit is set to 1.

- Remarks**
- f_{IH}: High-speed on-chip oscillator clock frequency
 f_{MX}: High-speed system clock frequency
 f_{MAIN}: Main system clock frequency
 f_{SUB}: Subsystem clock frequency

2. x: don't care

- Cautions**
- Be sure to set bit 3 to 0.
 - The clock set by the CSS bit is supplied to the CPU and peripheral hardware. If the CPU clock is changed, therefore, the clock supplied to peripheral hardware (except the real-time clock, 12-bit interval timer, clock output/buzzer output, LCD driver/controller, and watchdog timer) is also changed at the same time. Consequently, stop each peripheral function when changing the CPU/peripheral hardware clock.
 - If the subsystem clock is used as the peripheral hardware clock, the operations of the A/D converter and IICA are not guaranteed. For the operating characteristics of

the peripheral hardware, refer to the chapters describing the various peripheral hardware as well as CHAPTER 30 or 31 ELECTRICAL SPECIFICATIONS.

5.3.3 Clock operation status control register (CSC)

This register is used to control the operations of the high-speed system clock, high-speed on-chip oscillator clock, and subsystem clock (except the low-speed on-chip oscillator clock).

The CSC register can be set by a 1-bit or 8-bit memory manipulation instruction.

Reset signal generation sets this register to C0H.

Figure 5-4. Format of Clock Operation Status Control Register (CSC)

Address: FFFA1H After reset: C0H R/W

Symbol	<7>	<6>	5	4	3	2	1	<0>
CSC	MSTOP	XTSTOP	0	0	0	0	0	HIOSTOP

MSTOP	High-speed system clock operation control		
	X1 oscillation mode	External clock input mode	Input port mode
0	X1 oscillator operating	External clock from EXCLK pin is valid	Input port
1	X1 oscillator stopped	External clock from EXCLK pin is invalid	

XTSTOP	Subsystem clock operation control		
	XT1 oscillation mode	External clock input mode	Input port mode
0	XT1 oscillator operating	External clock from EXCLKS pin is valid	Input port
1	XT1 oscillator stopped	External clock from EXCLKS pin is invalid	

HIOSTOP	High-speed on-chip oscillator clock operation control	
0	High-speed on-chip oscillator operating	
1	High-speed on-chip oscillator stopped	

- Cautions**
1. After reset release, set the clock operation mode control register (CMC) before setting the CSC register.
 2. Set the oscillation stabilization time select register (OSTS) before setting the MSTOP bit to 0 after releasing reset. Note that if the OSTS register is being used with its default settings, the OSTS register is not required to be set here.
 3. To start X1 oscillation as set by the MSTOP bit, check the oscillation stabilization time of the X1 clock by using the oscillation stabilization time counter status register (OSTC).
 4. When starting XT1 oscillation by setting the XSTOP bit, wait for oscillation of the subsystem clock to stabilize by setting a wait time using software.
 5. Do not stop the clock selected for the CPU peripheral hardware clock (f_{CLK}) with the OSC register.
 6. The setting of the flags of the register to stop clock oscillation (invalidate the external clock input) and the condition before clock oscillation is to be stopped are as Table 5-2.

Table 5-2. Stopping Clock Method

Clock	Condition Before Stopping Clock (Invalidating External Clock Input)	Setting of CSC Register Flags
X1 clock	CPU and peripheral hardware clocks operate with a clock other than the high-speed system clock. (CLS = 0 and MCS = 0, or CLS = 1)	MSTOP = 1
External main system clock		
XT1 clock	CPU and peripheral hardware clocks operate with a clock other than the subsystem clock. (CLS = 0)	XTSTOP = 1
External subsystem clock		
High-speed on-chip oscillator clock	CPU and peripheral hardware clocks operate with a clock other than the high-speed on-chip oscillator clock. (CLS = 0 and MCS = 1, or CLS = 1)	HIOSTOP = 1

5.3.4 Oscillation stabilization time counter status register (OSTC)

This is the register that indicates the count status of the X1 clock oscillation stabilization time counter.

The X1 clock oscillation stabilization time can be checked in the following case,

- If the X1 clock starts oscillation while the high-speed on-chip oscillator clock or subsystem clock is being used as the CPU clock.
- If the STOP mode is entered and then released while the high-speed on-chip oscillator clock is being used as the CPU clock with the X1 clock oscillating.

The OSTC register can be read by a 1-bit or 8-bit memory manipulation instruction.

When reset signal is generated, the STOP instruction and MSTOP (bit 7 of clock operation status control register (CSC)) = 1 clear the OSTC register to 00H.

Remark The oscillation stabilization time counter starts counting in the following cases.

- When oscillation of the X1 clock starts (EXCLK, OSCSEL = 0, 1 → MSTOP = 0)
- When the STOP mode is released

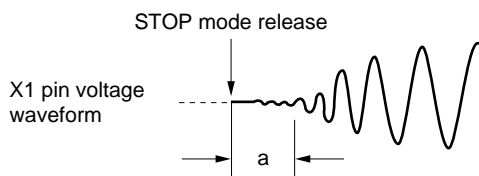
Figure 5-5. Format of Oscillation Stabilization Time Counter Status Register (OSTC)

Address: FFFA2H After reset: 00H R

Symbol	7	6	5	4	3	2	1	0
OSTC	MOST 8	MOST 9	MOST 10	MOST 11	MOST 13	MOST 15	MOST 17	MOST 18

MOST 8	MOST 9	MOST 10	MOST 11	MOST 13	MOST 15	MOST 17	MOST 18	Oscillation stabilization time status		
									fx = 10 MHz	fx = 20 MHz
0	0	0	0	0	0	0	0	2 ⁹ /fx max.	25.6 μs max.	12.8 μs max.
1	0	0	0	0	0	0	0	2 ⁹ /fx min.	25.6 μs min.	12.8 μs min.
1	1	0	0	0	0	0	0	2 ⁹ /fx min.	51.2 μs min.	25.6 μs min.
1	1	1	0	0	0	0	0	2 ¹⁰ /fx min.	102.4 μs min.	51.2 μs min.
1	1	1	1	0	0	0	0	2 ¹¹ /fx min.	204.8 μs min.	102.4 μs min.
1	1	1	1	1	0	0	0	2 ¹³ /fx min.	819.2 μs min.	409.6 μs min.
1	1	1	1	1	1	0	0	2 ¹⁵ /fx min.	3.27 ms min.	1.64 ms min.
1	1	1	1	1	1	1	0	2 ¹⁷ /fx min.	13.11 ms min.	6.55 ms min.
1	1	1	1	1	1	1	1	2 ¹⁸ /fx min.	26.21 ms min.	13.11 ms min.

- Cautions**
1. After the above time has elapsed, the bits are set to 1 in order from the MOST8 bit and remain 1.
 2. The oscillation stabilization time counter counts up to the oscillation stabilization time set by the oscillation stabilization time select register (OSTS).
In the following cases, set the oscillation stabilization time of the OSTs register to the value greater than the count value which is to be checked by the OSTC register.
 - If the X1 clock starts oscillation while the high-speed on-chip oscillator clock or subsystem clock is being used as the CPU clock.
 - If the STOP mode is entered and then released while the high-speed on-chip oscillator clock is being used as the CPU clock with the X1 clock oscillating.
(Note, therefore, that only the status up to the oscillation stabilization time set by the OSTs register is set to the OSTC register after the STOP mode is released.)
 3. The X1 clock oscillation stabilization wait time does not include the time until clock oscillation starts (“a” below).



Remark fx: X1 clock oscillation frequency

<R> 5.3.5 Oscillation stabilization time select register (OSTS)

This register is used to select the X1 clock oscillation stabilization wait time.

When the X1 clock is made to oscillate by clearing the MSTOP bit to start the X1 oscillation circuit operating, actual operation is automatically delayed for the time set in the OSTS register.

When switching the CPU clock from the high-speed on-chip oscillator clock or subsystem clock to the X1 clock, and when using the high-speed on-chip oscillator clock for switching the X1 clock from the oscillating state to STOP mode, use the oscillation stabilization time counter status register (OSTC) to confirm that the desired oscillation stabilization time has elapsed after release from the STOP mode. That is, use the OSTC register to check that the oscillation stabilization time corresponding to its setting has been reached.

The OSTS register can be set by an 8-bit memory manipulation instruction.

Reset signal generation sets the OSTS register to 07H.

Figure 5-6. Format of Oscillation Stabilization Time Select Register (OSTS)

Address: FFFA3H After reset: 07H R/W

Symbol	7	6	5	4	3	2	1	0
OSTS	0	0	0	0	0	OSTS2	OSTS1	OSTS0

OSTS2	OSTS1	OSTS0	Oscillation stabilization time selection	Oscillation stabilization time selection	
				$f_x = 10 \text{ MHz}$	$f_x = 20 \text{ MHz}$
0	0	0	$2^8/f_x$	25.6 μs	12.8 μs
0	0	1	$2^9/f_x$	51.2 μs	25.6 μs
0	1	0	$2^{10}/f_x$	102.4 μs	51.2 μs
0	1	1	$2^{11}/f_x$	204.8 μs	102.4 μs
1	0	0	$2^{13}/f_x$	819.2 μs	409.6 μs
1	0	1	$2^{15}/f_x$	3.27 ms	1.64 ms
1	1	0	$2^{17}/f_x$	13.11 ms	6.55 ms
1	1	1	$2^{18}/f_x$	26.21 ms	13.11 ms

Cautions 1. Change the setting of the OSTS register before setting the MSTOP bit of the clock operation status control register (CSC) to 0.

<R>

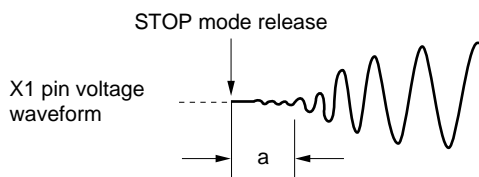
2. The oscillation stabilization time counter counts up to the oscillation stabilization time set by the OSTS register.

In the following cases, set the oscillation stabilization time of the OSTS register to the value greater than the count value which is to be checked by the OSTC register after the oscillation starts.

- If the X1 clock starts oscillation while the high-speed on-chip oscillator clock or subsystem clock is being used as the CPU clock.
- If the STOP mode is entered and then released while the high-speed on-chip oscillator clock is being used as the CPU clock with the X1 clock oscillating. (Note, therefore, that only the status up to the oscillation stabilization time set by the OSTS register is set to the OSTC register after the STOP mode is released.)

<R>

3. The X1 clock oscillation stabilization wait time does not include the time until clock oscillation starts (“a” below).



Remark f_x : X1 clock oscillation frequency

5.3.6 Peripheral enable register 0 (PER0)

These registers are used to enable or disable supplying the clock to the peripheral hardware. Clock supply to the hardware that is not used is also stopped so as to decrease the power consumption and noise.

To use the peripheral functions below, which are controlled by this register, set (1) the bit corresponding to each function before specifying the initial settings of the peripheral functions.

- Real-time clock, 12-bit interval timer
- A/D converter
- Serial interface IICA0
- Serial array unit 0
- Timer array unit 0
- LCD driver/controller

The PER0 register can be set by a 1-bit or 8-bit memory manipulation instruction. Reset signal generation clears these registers to 00H.

Figure 5-7. Format of Peripheral Enable Register 0 (PER0) (1/2)

Address: F00F0H After reset: 00H R/W

Symbol	<7>	6	<5>	<4>	3	<2>	1	<0>
PER0	RTCEN	0	ADCEN	IICA0EN	0	SAU0EN	0	TAU0EN

RTCEN	Real-time clock (RTC) and 12-bit interval timer	LCD driver/controller and clock output/buzzer output controller	
		When subsystem clock (f_{SUB}) is selected.	When subsystem clock (f_{SUB}) is not selected.
0	Stops input clock supply. <ul style="list-style-type: none"> • SFR used by the real-time clock (RTC) and 12-bit interval timer cannot be written. • The real-time clock (RTC) and 12-bit interval timer are in the reset status. 	Stops input clock and subsystem clock supply. <ul style="list-style-type: none"> • SFR used by the LCD driver/controller and clock output/buzzer output can be read and written. 	Enables input clock and main system clock supply. <ul style="list-style-type: none"> • SFR used by the LCD driver/controller and clock output/buzzer output can be read and written.
1	Enables input clock supply. <ul style="list-style-type: none"> • SFR used by the real-time clock (RTC) and 12-bit interval timer can be read and written. 	Enables input clock and subsystem clock supply. <ul style="list-style-type: none"> • SFR used by the LCD driver/controller and clock output/buzzer output can be read and written. 	

ADCEN	Control of A/D converter input clock supply
0	Stops input clock supply. <ul style="list-style-type: none"> • SFR used by the A/D converter cannot be written. • The A/D converter is in the reset status.
1	Enables input clock supply. <ul style="list-style-type: none"> • SFR used by the A/D converter can be read and written.

Caution Be sure to clear the following bits 1, 3, and 6 to 0.

Figure 5-7. Format of Peripheral Enable Register 0 (PER0) (2/2)

Address: F00F0H After reset: 00H R/W

Symbol	<7>	6	<5>	<4>	3	<2>	1	<0>
PER0	RTCEN	0	ADCEN	IICA0EN	0	SAU0EN	0	TAU0EN

IICA0EN	Control of serial interface IICA0 input clock supply
0	Stops input clock supply. <ul style="list-style-type: none"> • SFR used by the serial interface IICA0 cannot be written. • The serial interface IICA0 is in the reset status.
1	Enables input clock supply. <ul style="list-style-type: none"> • SFR used by the serial interface IICA0 can be read and written.

SAU0EN	Control of serial array unit 0 input clock supply
0	Stops input clock supply. <ul style="list-style-type: none"> • SFR used by the serial array unit 0 cannot be written. • The serial array unit 0 is in the reset status.
1	Enables input clock supply. <ul style="list-style-type: none"> • SFR used by the serial array unit 0 can be read and written.

TAU0EN	Control of timer array unit 0 input clock supply
0	Stops input clock supply. <ul style="list-style-type: none"> • SFR used by timer array unit 0 cannot be written. • Timer array unit 0 is in the reset status.
1	Enables input clock supply. <ul style="list-style-type: none"> • SFR used by timer array unit 0 can be read and written.

Caution Be sure to clear the following bits 1, 3, and 6 to 0.

<R> **5.3.7 Subsystem clock supply mode control register (OSMC)**

This register is used to reduce power consumption by stopping as many unnecessary clock functions.

If the RTCLPC bit is set to 1, power consumption can be reduced, because clock supply to the peripheral functions, except the real-time clock, 12-bit interval timer, and LCD driver/controller, is stopped in HALT mode while subsystem clock is selected as CPU clock. Set bit 7 (RTCEN) of peripheral enable registers 0 (PER0) to 1 before this setting.

In addition, the OSMC register can be used to select the operation clock of the real-time clock, 12-bit interval timer, and LCD driver/controller.

The OSMC register can be set by an 8-bit memory manipulation instruction.

Reset signal generation clears this register to 00H.

<R> **Figure 5-8. Format of Subsystem Clock Supply Mode Control Register (OSMC)**

Address: F00F3H After reset: 00H R/W

Symbol	7	6	5	4	3	2	1	0
OSMC	RTCLPC	0	0	WUTMMCK0	0	0	0	0

RTCLPC	Setting in HALT mode while subsystem clock is selected as CPU clock
0	Enables supply of subsystem clock to peripheral functions (See Table 19-1 for peripheral functions whose operations are enabled.)
1	Stops supply of subsystem clock to peripheral functions other than real-time clock, 12-bit interval timer, and LCD driver/controller.

WUTMMCK0 <small>Note</small>	Selection of operation clock for real-time clock, 12-bit interval timer, and LCD driver/controller	Selection of clock output from PCLBUZn pin of clock output/buzzer output
0	Subsystem clock (f _{SUB})	Selecting the subsystem clock (f _{SUB}) is enabled.
1	Low-speed on-chip oscillator clock (f _{IL})	Selecting the subsystem clock (f _{SUB}) is disabled.

Note Be sure to select the subsystem clock (WUTMMCK0 bit = 0) if the subsystem clock is oscillating.

Cautions 1. The subsystem clock and low-speed on-chip oscillator clock can only be switched by using the WUTMMCK0 bit if the real-time clock, 12-bit interval timer, and LCD driver/controller are all stopped.

These are stopped as follows:

- Real-time clock: Set the RTCE bit to 0.**
- 12-bit interval timer: Set the RINTE bit to 0.**
- LCD driver/controller: Set the SCOC and VLCON bits to 0.**

2. Do not select f_{SUB} as the clock output or buzzer output clock when the WUTMMCK0 bit is set to 1.

Remark RTCE: Bit 7 of real-time clock control register 0 (RTCC0)
 RINTE: Bit 15 of the interval timer control register (ITMC)
 SCOC: Bit 6 of LCD mode register 1 (LCDM1)
 VLCON: Bit 5 of LCD mode register 1 (LCDM1)

5.3.8 High-speed on-chip oscillator frequency select register (HOCODIV)

The frequency of the high-speed on-chip oscillator which is set by an option byte (000C2H) can be changed by using high-speed on-chip oscillator frequency select register (HOCODIV). However, the selectable frequency depends on the FRQSEL3 bit of the option byte (000C2H).

The HOCODIV register can be set by an 8-bit memory manipulation instruction.

Reset signal generation clears this register to default value (undefined).

Figure 5-9. Format of High-speed On-chip Oscillator frequency select register (HOCODIV)

Address: F00A8H After reset: undefined R/W

Symbol	7	6	5	4	3	2	1	0
HOCODIV	0	0	0	0	0	HOCODIV2	HOCODIV1	HOCODIV0

HOCODIV2	HOCODIV1	HOCODIV0	High-Speed On-Chip Oscillator Clock Frequency	
			FRQSEL3 Bit is 0	FRQSEL3 Bit is 1
0	0	0	24 MHz	Setting prohibited
0	0	1	12 MHz	16 MHz
0	1	0	6 MHz	8 MHz
0	1	1	3 MHz	4 MHz
1	0	0	Setting prohibited	2 MHz
1	0	1	Setting prohibited	1 MHz
Other than above			Setting prohibited	

Cautions 1. Set the HOCODIV register within the operable voltage range of the flash operation mode set in the option byte (000C2H) before and after the frequency change.

Option Byte (000C2H) Value		Flash Operation Mode	Operating Frequency Range	Operating Voltage Range
CMODE1	CMODE2			
0	0	LV (low-voltage main) mode	1 to 4 MHz	1.6 to 5.5 V
1	0	LS (low-speed main) mode	1 to 8 MHz	1.8 to 5.5 V
1	1	HS (high-speed main) mode	1 to 16 MHz	2.4 to 5.5 V
			1 to 32 MHz	2.7 to 5.5 V

2. Set the HOCODIV register with the high-speed on-chip oscillator clock (f_{IH}) selected as the CPU/peripheral hardware clock (f_{CLK}).
3. After the frequency is changed with the HOCODIV register, the frequency is switched after the following transition time has elapsed.
 - Operation for three clocks at the pre-change frequency
 - CPU/peripheral hardware clock wait at the post-change frequency for up to three clocks

5.3.9 High-speed on-chip oscillator trimming register (HIOTRM)

This register is used to adjust the accuracy of the high-speed on-chip oscillator.

With self-measurement of the high-speed on-chip oscillator frequency via a timer using high-accuracy external clock input (timer array unit), and so on, the accuracy can be adjusted.

The HIOTRM register can be set by an 8-bit memory manipulation instruction.

Caution The frequency will vary if the temperature and V_{DD} pin voltage change after accuracy adjustment. When the temperature and V_{DD} voltage change, accuracy adjustment must be executed regularly or before the frequency accuracy is required.

Figure 5-10. Format of High-Speed On-Chip Oscillator Trimming Register (HIOTRM)

Address: F00A0H After reset: **Note** R/W

Symbol	7	6	5	4	3	2	1	0
HIOTRM	0	0	HIOTRM5	HIOTRM4	HIOTRM3	HIOTRM2	HIOTRM1	HIOTRM0

HIOTRM5	HIOTRM4	HIOTRM3	HIOTRM2	HIOTRM1	HIOTRM0	High-speed on-chip oscillator
0	0	0	0	0	0	Minimum speed
0	0	0	0	0	1	↑ ↓
0	0	0	0	1	0	
0	0	0	0	1	1	
0	0	0	1	0	0	
• • •						
1	1	1	1	1	0	↓
1	1	1	1	1	1	

Note The reset value differs for each chip.

- <R> **Remarks 1.** The HIOTRM register can be used to adjust the high-speed on-chip oscillator clock to an accuracy within about 0.05%.
- <R> **2.** For the usage example of the HIOTRM register, see the application note for RL78 MCU series High-speed On-chip Oscillator (HOCO) Clock Frequency Correction (R01AN0464).

5.4 System Clock Oscillator

5.4.1 X1 oscillator

The X1 oscillator oscillates with a crystal resonator or ceramic resonator (1 to 20 MHz) connected to the X1 and X2 pins.

An external clock can also be input. In this case, input the clock signal to the EXCLK pin.

To use the X1 oscillator, set bits 7 and 6 (EXCLK, OSCSEL) of the clock operation mode control register (CMC) as follows.

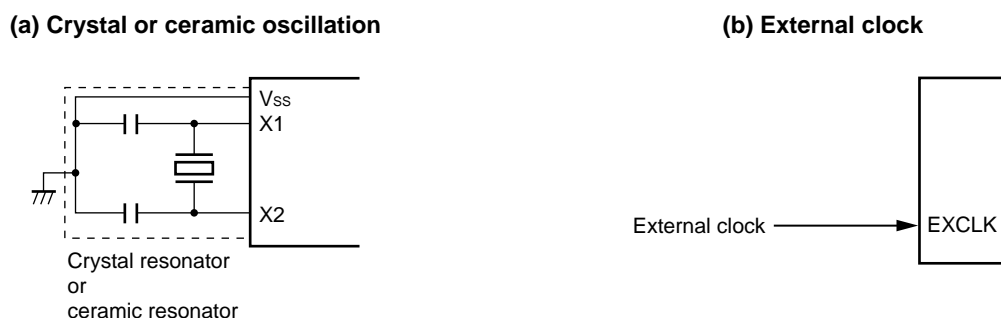
- Crystal or ceramic oscillation: EXCLK, OSCSEL = 0, 1
- External clock input: EXCLK, OSCSEL = 1, 1

When the X1 oscillator is not used, set the input port mode (EXCLK, OSCSEL = 0, 0).

When the pins are not used as input port pins, either, see **Table 2-3 Connection of Unused Pins (64-pin products)**.

Figure 5-11 shows an example of the external circuit of the X1 oscillator.

Figure 5-11. Example of External Circuit of X1 Oscillator



Cautions are listed on the next page.

5.4.2 XT1 oscillator

The XT1 oscillator oscillates with a crystal resonator (32.768 kHz (TYP.)) connected to the XT1 and XT2 pins.

To use the XT1 oscillator, set bit 4 (OSCSELS) of the clock operation mode control register (CMC) to 1.

An external clock can also be input. In this case, input the clock signal to the EXCLKS pin.

To use the XT1 oscillator, set bits 5 and 4 (EXCLKS, OSCSELS) of the clock operation mode control register (CMC) as follows.

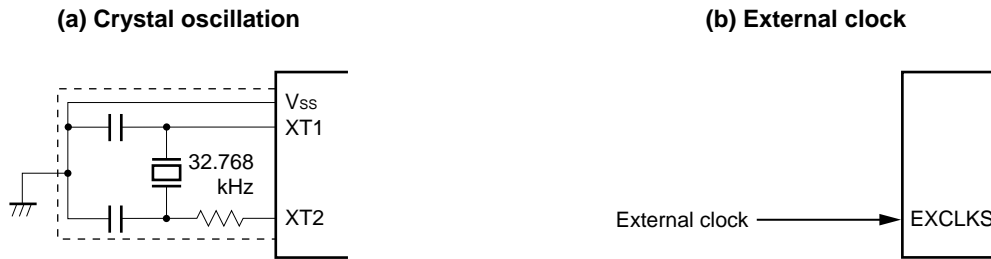
- Crystal oscillation: EXCLKS, OSCSELS = 0, 1
- External clock input: EXCLKS, OSCSELS = 1, 1

When the XT1 oscillator is not used, set the input port mode (EXCLKS, OSCSELS = 0, 0).

When the pins are not used as input port pins, either, see **Table 2-3 Connection of Unused Pins (64-pin products)**.

Figure 5-12 shows an example of the external circuit of the XT1 oscillator.

Figure 5-12. Example of External Circuit of XT1 Oscillator



Caution When using the X1 oscillator and XT1 oscillator, wire as follows in the area enclosed by the broken lines in the Figures 5-10 and 5-11 to avoid an adverse effect from wiring capacitance.

- Keep the wiring length as short as possible.
- Do not cross the wiring with the other signal lines. Do not route the wiring near a signal line through which a high fluctuating current flows.
- Always make the ground point of the oscillator capacitor the same potential as V_{ss}. Do not ground the capacitor to a ground pattern through which a high current flows.
- Do not fetch signals from the oscillator.

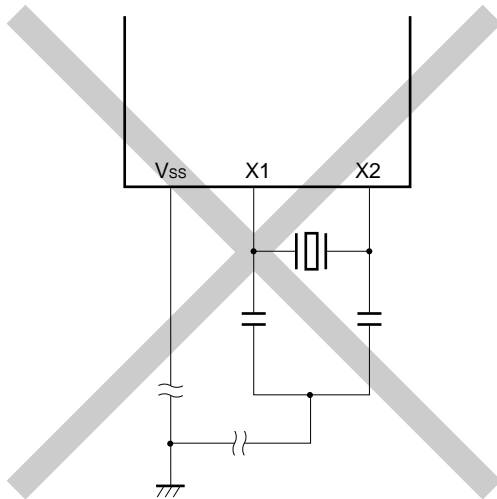
The XT1 oscillator is a circuit with low amplification in order to achieve low-power consumption. Note the following points when designing the circuit.

- Pins and circuit boards include parasitic capacitance. Therefore, perform oscillation evaluation using a circuit board to be actually used and confirm that there are no problems.
- Before using the ultra-low power consumption oscillation (AMPHS1, AMPHS0 = 1, 0) as the mode of the XT1 oscillator, evaluate the resonators.
- Make the wiring between the XT1 and XT2 pins and the resonators as short as possible, and minimize the parasitic capacitance and wiring resistance. Note this particularly when the ultra-low power consumption oscillation (AMPHS1, AMPHS0 = 1, 0) is selected.
- Configure the circuit of the circuit board, using material with little wiring resistance.
- Place a ground pattern that has the same potential as V_{ss} as much as possible near the XT1 oscillator.
- Be sure that the signal lines between the XT1 and XT2 pins, and the resonators do not cross with the other signal lines. Do not route the wiring near a signal line through which a high fluctuating current flows.
- The impedance between the XT1 and XT2 pins may drop and oscillation may be disturbed due to moisture absorption of the circuit board in a high-humidity environment or dew condensation on the board. When using the circuit board in such an environment, take measures to damp-proof the circuit board, such as by coating.
- When coating the circuit board, use material that does not cause capacitance or leakage between the XT1 and XT2 pins.

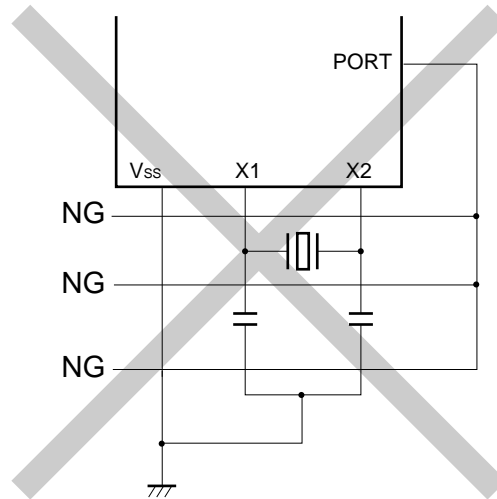
Figure 5-13 shows examples of incorrect resonator connection.

Figure 5-13. Examples of Incorrect Resonator Connection (1/2)

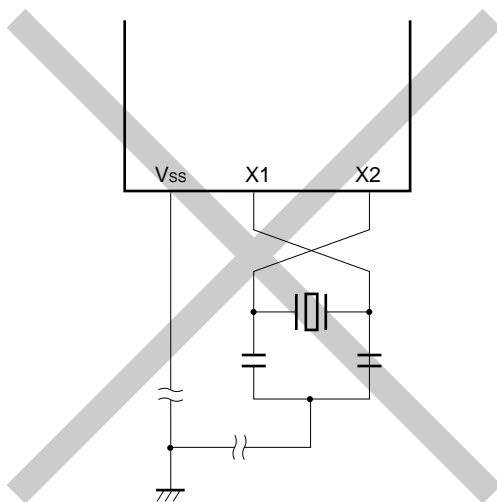
(a) Too long wiring



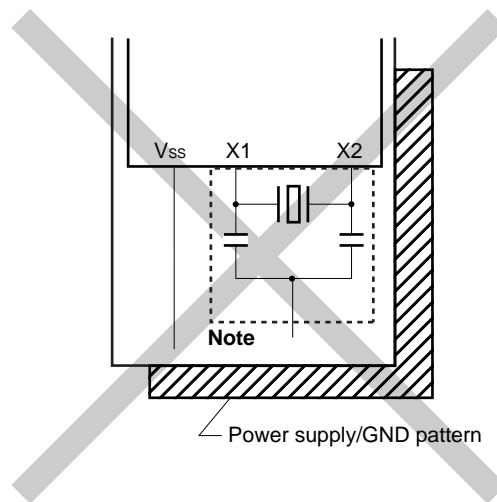
(b) Crossed signal line



(c) The X1 and X2 signal line wires cross.



(d) A power supply/GND pattern exists under the X1 and X2 wires.

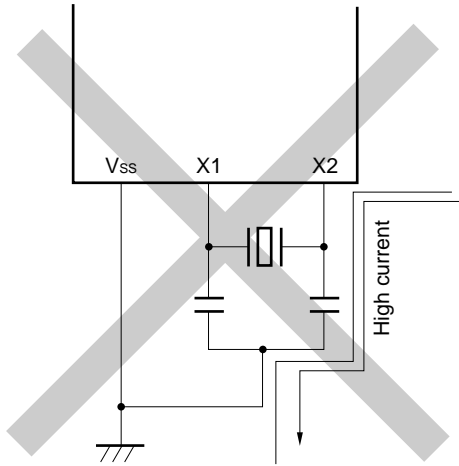


Note Do not place a power supply/GND pattern under the wiring section (section indicated by a broken line in the figure) of the X1 and X2 pins and the resonators in a multi-layer board or double-sided board. Do not configure a layout that will cause capacitance elements and affect the oscillation characteristics.

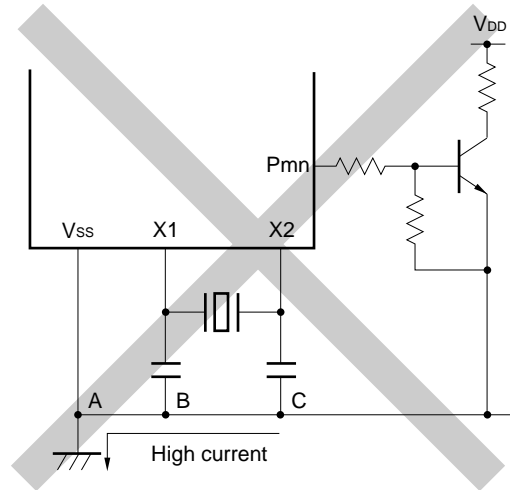
Remark When using the subsystem clock, replace X1 and X2 with XT1 and XT2, respectively. Also, insert resistors in series on the XT2 side.

Figure 5-13. Examples of Incorrect Resonator Connection (2/2)

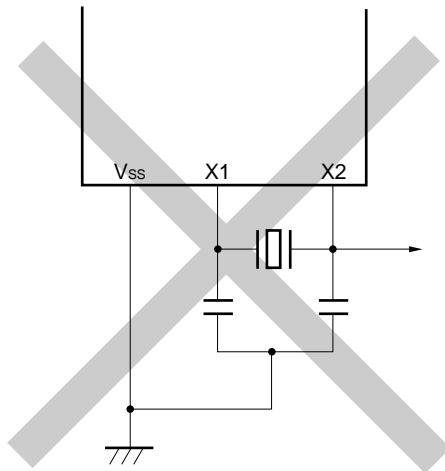
(e) Wiring near high alternating current



(f) Current flowing through ground line of oscillator (potential at points A, B, and C fluctuates)



(g) Signals are fetched



Caution When X2 and XT1 are wired in parallel, the crosstalk noise of X2 may increase with XT1, resulting in malfunctioning.

Remark When using the subsystem clock, replace X1 and X2 with XT1 and XT2, respectively. Also, insert resistors in series on the XT2 side.

5.4.3 High-speed on-chip oscillator

The high-speed on-chip oscillator is incorporated in the RL78/L12. The frequency can be selected from among 24, 16, 12, 8, 6, 4, 3, 2, or 1 MHz by using the option byte (000C2H). Oscillation can be controlled by bit 0 (HIOSTOP) of the clock operation status control register (CSC). The high-speed on-chip oscillator automatically starts oscillating after reset release.

5.4.4 Low-speed on-chip oscillator

The low-speed on-chip oscillator is incorporated in the RL78/L12.

The low-speed on-chip oscillator clock is used only as a clock of the watchdog timer, real-time clock, 12-bit interval timer, and LCD driver/controller. The low-speed on-chip oscillation clock cannot be used as the CPU clock.

<R> This clock operates when bit 4 (WDTON) of the option byte (000C0H), bit 4 (WUTMMCK0) of the subsystem clock supply mode control register (OSMC), or both are set to 1.

<R> Unless the watchdog timer is stopped and WUTMMCK0 is a value other than zero, oscillation of the low-speed on-chip oscillator continues. Note that only when the watchdog timer is operating and the WUTMMCK0 bit is 0, oscillation of the low-speed on-chip oscillator will stop while the WDSTBYON bit is 0 and operation is in the HALT, STOP, or SNOOZE mode. While the watchdog timer operates, the low-speed on-chip oscillator does not stop even if the program freezes.

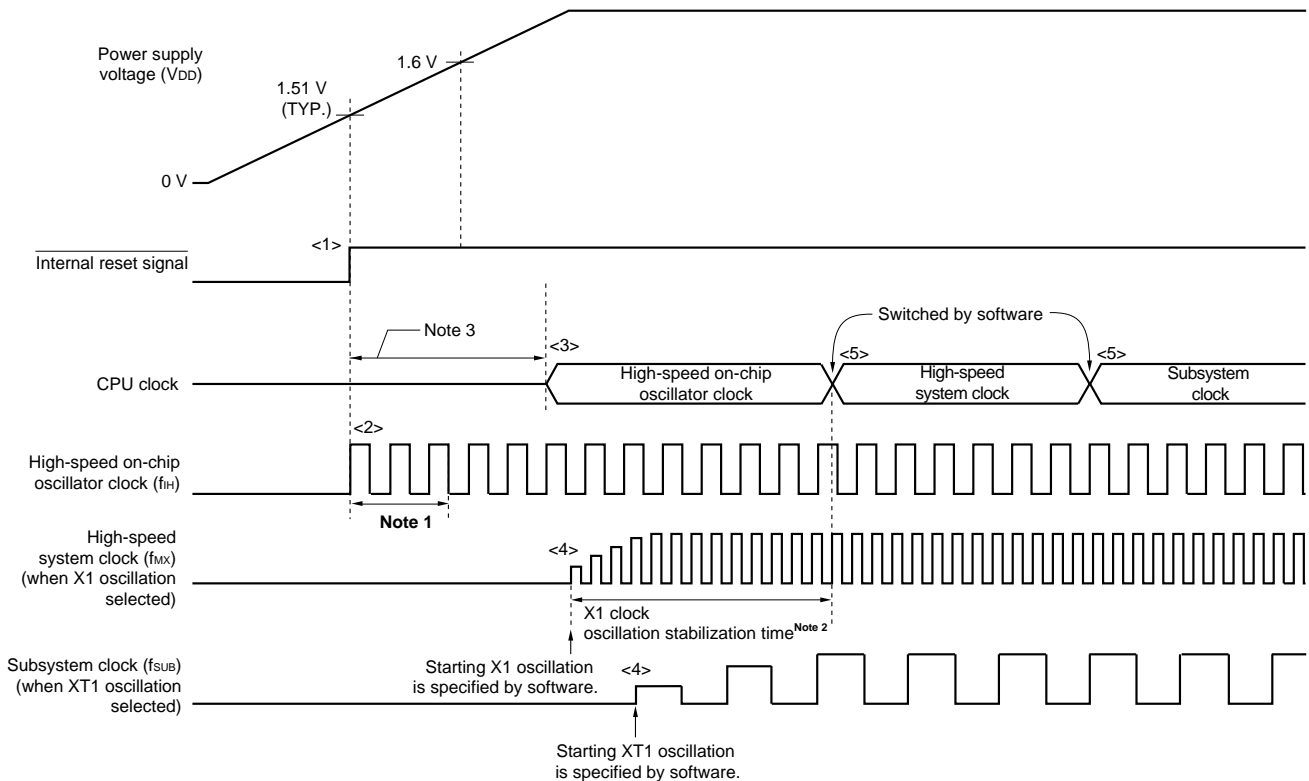
5.5 Clock Generator Operation

The clock generator generates the following clocks and controls the operation modes of the CPU, such as standby mode (see **Figure 5-1**).

- Main system clock f_{MAIN}
 - High-speed system clock f_{MX}
 - X1 clock f_{X}
 - External main system clock f_{EX}
 - High-speed on-chip oscillator f_{IH}
- Subsystem clock f_{SUB}
 - XT1 clock f_{XT}
 - External subsystem clock f_{EXS}
- Low-speed on-chip oscillator clock f_{IL}
- CPU/peripheral hardware clock f_{CLK}

The CPU starts operation when the high-speed on-chip oscillator starts outputting after a reset release in the RL78/L12. When the power supply voltage is turned on, the clock generator operation is shown in Figure 5-14.

Figure 5-14. Clock Generator Operation When Power Supply Voltage Is Turned On



- <1> When the power is turned on, an internal reset signal is generated by the power-on-reset (POR) circuit.
- <2> When the power supply voltage exceeds 1.51 V (TYP.), the reset is released and the high-speed on-chip oscillator automatically starts oscillation.
- <3> The CPU starts operation on the high-speed on-chip oscillator clock after a reset processing such as waiting for the voltage of the power supply or regulator to stabilize has been performed after reset release.
- <4> Set the start of oscillation of the X1 or XT1 clock via software (see **5.6.2 Example of setting X1 oscillation clock** and **5.6.3 Example of setting XT1 oscillation clock**).
- <5> When switching the CPU clock to the X1 or XT1 clock, wait for the clock oscillation to stabilize, and then set switching via software (see **5.6.2 Example of setting X1 oscillation clock** and **5.6.3 Example of setting XT1 oscillation clock**).

- Notes**
1. The internal reset processing time includes the oscillation accuracy stabilization time of the high-speed on-chip oscillator clock.
 2. When releasing a reset, confirm the oscillation stabilization time for the X1 clock using the oscillation stabilization time counter status register (OSTC).
 3. For the reset processing time, see **CHAPTER 21 POWER-ON-RESET CIRCUIT**.

Caution It is not necessary to wait for the oscillation stabilization time when an external clock input from the EXCLK pin is used.

5.6 Controlling Clock

5.6.1 Example of setting high-speed on-chip oscillator

After a reset release, the CPU/peripheral hardware clock (f_{CLK}) always starts operating with the high-speed on-chip <R> oscillator clock. The frequency of the high-speed on-chip oscillator can be selected from 24, 16, 12, 8, 6, 4, 3, 2, and 1 MHz by using FRQSEL0 to FRQSEL3 of the option byte (000C2H).

[Option byte setting]

Address: 000C2H

Option byte (000C2H)	7	6	5	4	3	2	1	0
	CMODE1	CMODE0			FRQSEL3	FRQSEL2	FRQSEL1	FRQSEL0
	0/1	0/1	1	0	0/1	0/1	0/1	0/1

CMODE1	CMODE0	Setting of flash operation mode	
0	0	LV (low voltage main) mode	$V_{DD} = 1.6\text{ V to }5.5\text{ V}@1\text{ MHz to }4\text{ MHz}$
1	0	LS (low speed main) mode	$V_{DD} = 1.8\text{ V to }5.5\text{ V}@1\text{ MHz to }8\text{ MHz}$
1	1	HS (high speed main) mode	$V_{DD} = 2.4\text{ V to }5.5\text{ V}@1\text{ MHz to }16\text{ MHz}$ $V_{DD} = 2.7\text{ V to }5.5\text{ V}@1\text{ MHz to }24\text{ MHz}$
Other than above		Setting prohibited	

<R>

FRQSEL3	FRQSEL2	FRQSEL1	FRQSEL0	Frequency of the high-speed on-chip oscillator
0	0	0	0	24 MHz
1	0	0	1	16 MHz
0	0	0	1	12 MHz
1	0	1	0	8 MHz
0	0	1	0	6 MHz
1	0	1	1	4 MHz
0	0	1	1	3 MHz
1	1	0	0	2 MHz
1	1	0	1	1 MHz
Other than above				Setting prohibited

[High-speed on-chip oscillator frequency select register (HOCODIV) setting]

Address: F00A8H

HOCODIV	7	6	5	4	3	2	1	0
	0	0	0	0	0	HOCODIV2	HOCODIV1	HOCODIV0

HOCODIV2	HOCODIV1	HOCODIV0	Selection of high-speed on-chip oscillator clock frequency	
			FRQSEL3 Bit is 0	FRQSEL3 Bit is 1
0	0	0	24 MHz	Setting prohibited
0	0	1	12 MHz	16 MHz
0	1	0	6 MHz	8 MHz
0	1	1	3 MHz	4 MHz
1	0	0	Setting prohibited	2 MHz
1	0	1	Setting prohibited	1 MHz
Other than above			Setting prohibited	

5.6.2 Example of setting X1 oscillation clock

After a reset release, the CPU/peripheral hardware clock (f_{CLK}) always starts operating with the high-speed on-chip oscillator clock. To subsequently change the clock to the X1 oscillation clock, set the oscillator and start oscillation by using the oscillation stabilization time select register (OSTS), clock operation mode control register (CMC) and clock operation status control register (CSC) and wait for oscillation to stabilize by using the oscillation stabilization time counter status register (OSTC). After the oscillation stabilizes, set the X1 oscillation clock to f_{CLK} by using the system clock control register (CKC).

[Register settings] Set the register in the order of <1> to <5> below.

<1> Set (1) the OSCSEL bit of the CMC register, except for the cases where $f_x > 10$ MHz, in such cases set (1) the AMPH bit, to operate the X1 oscillator.

	7	6	5	4	3	2	1	0
CMC	EXCLK	OSCSEL	EXCLKS	OSCSELS		AMPHS1	AMPHS0	AMPH
	0	1	0	0	0	0	0	0/1

AMPH bit: Set this bit to 0 if the X1 oscillation clock is 10 MHz or less.

<2> Using the OSTS register, select the oscillation stabilization time of the X1 oscillator at releasing of the STOP mode.

Example: Setting values when a wait of at least 102.4 μ s is set based on a 10 MHz resonator.

	7	6	5	4	3	2	1	0
OSTS						OSTS2	OSTS1	OSTS0
	0	0	0	0	0	0	1	0

<3> Clear (0) the MSTOP bit of the CSC register to start oscillating the X1 oscillator.

	7	6	5	4	3	2	1	0
CSC	MSTOP	XTSTOP						HIOSTOP
	0	1	0	0	0	0	0	0

<4> Use the OSTC register to wait for oscillation of the X1 oscillator to stabilize.

Example: Wait until the bits reach the following values when a wait of at least 102.4 μ s is set based on a 10 MHz resonator.

	7	6	5	4	3	2	1	0
OSTC	MOST8	MOST9	MOST10	MOST11	MOST13	MOST15	MOST17	MOST18
	1	1	1	0	0	0	0	0

<5> Use the MCM0 bit of the CKC register to specify the X1 oscillation clock as the CPU/peripheral hardware clock.

	7	6	5	4	3	2	1	0
CKC	CLS	CSS	MCS	MCM0				
	0	0	0	1	0	0	0	0

5.6.3 Example of setting XT1 oscillation clock

After a reset release, the CPU/peripheral hardware clock (f_{CLK}) always starts operating with the high-speed on-chip oscillator clock. To subsequently change the clock to the XT1 oscillation clock, set the oscillator and start oscillation by using the subsystem clock supply mode control register (OSMC), clock operation mode control register (CMC), and clock operation status control register (CSC), set the XT1 oscillation clock to f_{CLK} by using the system clock control register (CKC).

[Register settings] Set the register in the order of <1> to <5> below.

<R> <1> To run only the real-time clock, 12-bit interval timer, and LCD driver/controller on the subsystem clock (ultra-low current consumption) when in the STOP mode or sub-HALT mode, set the RTCLPC bit to 1.

	7	6	5	4	3	2	1	0
OSMC	RTCLPC			WUTMMCK0				
	0/1	0	0	0	0	0	0	0

<2> Set (1) the OSCSELS bit of the CMC register to operate the XT1 oscillator.

	7	6	5	4	3	2	1	0
CMC	EXCLK	OSCSEL	EXCLKS	OSCSELS		AMPHS1	AMPHS0	AMPH
	0	0	0	1	0	0/1	0/1	0

AMPHS0 and AMPHS1 bits: These bits are used to specify the oscillation mode of the XT1 oscillator.

<3> Clear (0) the XTSTOP bit of the CSC register to start oscillating the XT1 oscillator.

	7	6	5	4	3	2	1	0
CSC	MSTOP	XTSTOP						HIOSTOP
	1	0	0	0	0	0	0	0

<4> Use the timer function or another function to wait for oscillation of the subsystem clock to stabilize by using software.

<5> Use the CSS bit of the CKC register to specify the XT1 oscillation clock as the CPU/peripheral hardware clock.

	7	6	5	4	3	2	1	0
CKC	CLS	CSS	MCS	MCM0				
	0	1	0	0	0	0	0	0

5.6.4 CPU clock status transition diagram

Figure 5-15 shows the CPU clock status transition diagram of this product.

<R>

Figure 5-15. CPU Clock Status Transition Diagram

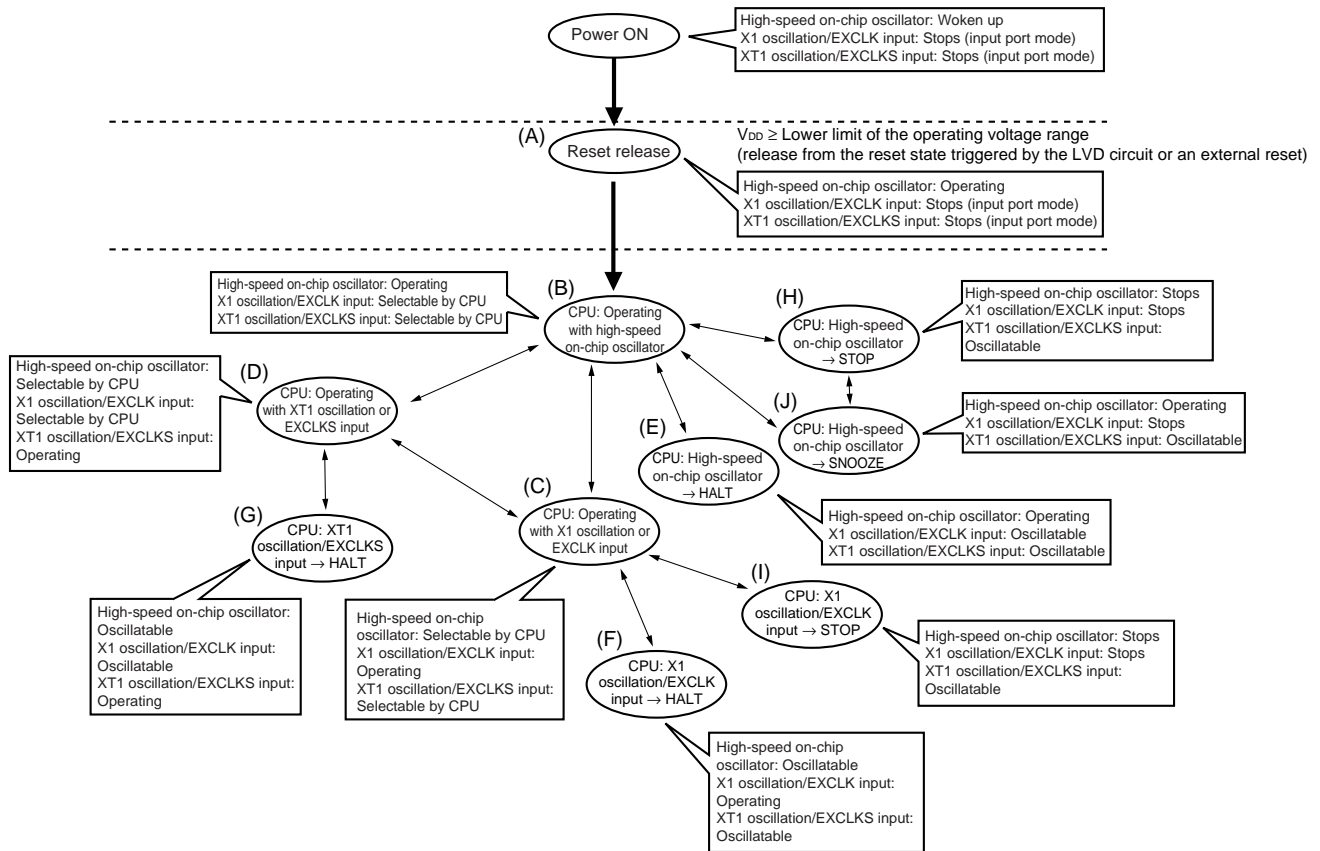


Table 5-3 shows transition of the CPU clock and examples of setting the SFR registers.

Table 5-3. CPU Clock Transition and SFR Register Setting Examples (1/5)

(1) CPU operating with high-speed on-chip oscillator clock (B) after reset release (A)

Status Transition	SFR Register Setting
(A) → (B)	SFR registers do not have to be set (default status after reset release).

(2) CPU operating with high-speed system clock (C) after reset release (A)

(The CPU operates with the high-speed on-chip oscillator clock immediately after a reset release (B).)

(Setting sequence of SFR registers) →

Setting Flag of SFR Register Status Transition	CMC Register ^{Note}			OSTS Register	CSC Register MSTOP	OSTC Register	CKC Register MCM0
	EXCLK	OSCSEL	AMPH				
(A) → (B) → (C) (X1 clock: 1 MHz ≤ f _x ≤ 10 MHz)	0	1	0	Note 2	0	Must be checked	1
(A) → (B) → (C) (X1 clock: 10 MHz < f _x ≤ 20 MHz)	0	1	1	Note 2	0	Must be checked	1
(A) → (B) → (C) (external main clock)	1	1	×	Note 2	0	Must not be checked	1

- Notes**
- The clock operation mode control register (CMC) can be written only once by an 8-bit memory manipulation instruction after reset release.
 - Set the oscillation stabilization time as follows.
 - Desired the oscillation stabilization time counter status register (OSTC) oscillation stabilization time ≤ Oscillation stabilization time set by the oscillation stabilization time select register (OSTS)

Caution Set the clock after the supply voltage has reached the operable voltage of the clock to be set (see CHAPTER 30 or 31 ELECTRICAL SPECIFICATIONS).

(3) CPU operating with subsystem clock (D) after reset release (A)

(The CPU operates with the high-speed on-chip oscillator clock immediately after a reset release (B).)

(Setting sequence of SFR registers) →

Setting Flag of SFR Register Status Transition	CMC Register ^{Note}				CSC Register XTSTOP	Waiting for Oscillation Stabilization	CKC Register CSS
	EXCLKS	OSCSELS	AMPHS1	AMPHS0			
(A) → (B) → (D) (XT1 clock)	0	1	0/1	0/1	0	Necessary	1
(A) → (B) → (D) (external sub clock)	1	1	×	×	0	Necessary	1

Note The clock operation mode control register (CMC) can be written only once by an 8-bit memory manipulation instruction after reset release.

- Remarks**
- ×: don't care
 - (A) to (J) in Table 5-3 correspond to (A) to (J) in Figure 5-15.

Table 5-3. CPU Clock Transition and SFR Register Setting Examples (2/5)

(4) CPU clock changing from high-speed on-chip oscillator clock (B) to high-speed system clock (C)

(Setting sequence of SFR registers) →

Setting Flag of SFR Register Status Transition	CMC Register ^{Note 1}			OSTS Register	CSC Register	OSTC Register	CKC Register
	EXCLK	OSCSEL	AMPH		MSTOP		
(B) → (C) (X1 clock: 1 MHz ≤ fX ≤ 10 MHz)	0	1	0	Note 2	0	Must be checked	1
(B) → (C) (X1 clock: 10 MHz < fX ≤ 20 MHz)	0	1	1	Note 2	0	Must be checked	1
(B) → (C) (external main clock)	1	1	×	Note 2	0	Must not be checked	1

Unnecessary if these registers are already set
 Unnecessary if the CPU is operating with the high-speed system clock

- Notes**
1. The clock operation mode control register (CMC) can be changed only once after reset release. This setting is not necessary if it has already been set.
 2. Set the oscillation stabilization time as follows.
 - Desired the oscillation stabilization time counter status register (OSTC) oscillation stabilization time ≤ Oscillation stabilization time set by the oscillation stabilization time select register (OSTS)

<R> **Caution** Set the clock after the supply voltage has reached the operable voltage of the clock to be set (see CHAPTER 30 or 31 ELECTRICAL SPECIFICATIONS).

(5) CPU clock changing from high-speed on-chip oscillator clock (B) to subsystem clock (D)

(Setting sequence of SFR registers) →

Setting Flag of SFR Register Status Transition	CMC Register ^{Note}		CSC Register	Waiting for Oscillation Stabilization	CKC Register
	EXCLKS	OSCSELS	XTSTOP		CSS
(B) → (D) (XT1 clock)	0	1	0	Necessary	1
(B) → (D) (external sub clock)	1	1	0	Necessary	1

Unnecessary if the CPU is operating with the subsystem clock

Note The clock operation mode control register (CMC) can be written only once by an 8-bit memory manipulation instruction after reset release.

- Remarks**
1. x: don't care
 2. (A) to (J) in Table 5-3 correspond to (A) to (J) in Figure 5-15.

Table 5-3. CPU Clock Transition and SFR Register Setting Examples (3/5)

(6) CPU clock changing from high-speed system clock (C) to high-speed on-chip oscillator clock (B)

(Setting sequence of SFR registers) →

Setting Flag of SFR Register	CSC Register	Oscillation accuracy stabilization time	CKC Register
	HIOSTOP		MCM0
Status Transition			
<R> (C) → (B)	0	18 μs to 65 μs	0

Unnecessary if the CPU is operating with the high-speed on-chip oscillator clock

(7) CPU clock changing from high-speed system clock (C) to subsystem clock (D)

(Setting sequence of SFR registers) →

Setting Flag of SFR Register	CSC Register	Waiting for Oscillation Stabilization	CKC Register
	XTSTOP		CSS
Status Transition			
<R> (C) → (D)	0	Necessary	1

Unnecessary if the CPU is operating with the subsystem clock

(8) CPU clock changing from subsystem clock (D) to high-speed on-chip oscillator clock (B)

(Setting sequence of SFR registers) →

Setting Flag of SFR Register	CSC Register	Oscillation accuracy stabilization time	CKC Register
	HIOSTOP		CSS
Status Transition			
<R> (D) → (B)	0	18 μs to 65 μs	0

Unnecessary if the CPU is operating with the high-speed on-chip oscillator clock

Remarks 1. (A) to (J) in Table 5-3 correspond to (A) to (J) in Figure 5-15.

<R> **2.** The oscillation accuracy stabilization time changes according to the temperature conditions and the STOP mode period.

Table 5-3. CPU Clock Transition and SFR Register Setting Examples (4/5)

(9) CPU clock changing from subsystem clock (D) to high-speed system clock (C)

(Setting sequence of SFR registers) ▶

Setting Flag of SFR Register Status Transition	OSTS Register	CSC Register	OSTC Register	CKC
		MSTOP		CSS
(D) → (C) (X1 clock: 1 MHz ≤ f _x ≤ 10 MHz)	Note	0	Must be checked	0
(D) → (C) (X1 clock: 10 MHz < f _x ≤ 20 MHz)	Note	0	Must be checked	0
(D) → (C) (external main clock)	Note	0	Must not be checked	0

Unnecessary if the CPU is operating with the high-speed system clock

Note Set the oscillation stabilization time as follows.

- Desired the oscillation stabilization time counter status register (OSTC) oscillation stabilization time ≤ Oscillation stabilization time set by the oscillation stabilization time select register (OSTS)

Caution Set the clock after the supply voltage has reached the operable voltage of the clock to be set (see CHAPTER 30 or 31 ELECTRICAL SPECIFICATIONS).

(10) • HALT mode (E) set while CPU is operating with high-speed on-chip oscillator clock (B)

- HALT mode (F) set while CPU is operating with high-speed system clock (C)
- HALT mode (G) set while CPU is operating with subsystem clock (D)

Status Transition	Setting
(B) → (E) (C) → (F) (D) → (G)	Executing HALT instruction

Remark (A) to (J) in Table 5-3 correspond to (A) to (J) in Figure 5-15.

Table 5-3. CPU Clock Transition and SFR Register Setting Examples (5/5)

- (11) • STOP mode (H) set while CPU is operating with high-speed on-chip oscillator clock (B)
 • STOP mode (I) set while CPU is operating with high-speed system clock (C)

(Setting sequence) →

Status Transition		Setting		
(B) → (H)		Stopping peripheral functions that cannot operate in STOP mode	–	Executing STOP instruction
(C) → (I)	In X1 oscillation		Sets the OSTS register	
	External main system clock		–	

(12) CPU changing from STOP mode (H) to SNOOZE mode (J)

For details about the setting for switching from the STOP mode to the SNOOZE mode, see **11.8 SNOOZE Mode Function**, **12.5.7 SNOOZE mode function** and **12.6.3 SNOOZE mode function**.

Remark (A) to (J) in Table 5-3 correspond to (A) to (J) in Figure 5-15.

5.6.5 Condition before changing CPU clock and processing after changing CPU clock

Condition before changing the CPU clock and processing after changing the CPU clock are shown below.

Table 5-4. Changing CPU Clock (1/2)

CPU Clock		Condition Before Change	Processing After Change
Before Change	After Change		
High-speed on-chip oscillator clock	X1 clock	Stabilization of X1 oscillation • OSCSEL = 1, EXCLK = 0, MSTOP = 0 • After elapse of oscillation stabilization time	Operating current can be reduced by stopping high-speed on-chip oscillator (HIOSTOP = 1).
	External main system clock	Enabling input of external clock from the EXCLK pin • OSCSEL = 1, EXCLK = 1, MSTOP = 0	
	XT1 clock	Stabilization of XT1 oscillation • OSCSELS = 1, EXCLKS = 0, XTSTOP = 0 • After elapse of oscillation stabilization time	
	External subsystem clock	Enabling input of external clock from the EXCLKS pin • OSCSELS = 1, EXCLKS = 1, XTSTOP = 0	
X1 clock	High-speed on-chip oscillator clock	Oscillation of high-speed on-chip oscillator • HIOSTOP = 0 • After elapse of oscillation accuracy stabilization time	X1 oscillation can be stopped (MSTOP = 1).
	External main system clock	Transition not possible (To change the clock, set it again after executing reset once.)	–
	XT1 clock	Stabilization of XT1 oscillation • OSCSELS = 1, EXCLKS = 0, XTSTOP = 0 • After elapse of oscillation stabilization time	X1 oscillation can be stopped (MSTOP = 1).
	External subsystem clock	Enabling input of external clock from the EXCLKS pin • OSCSELS = 1, EXCLKS = 1, XTSTOP = 0	X1 oscillation can be stopped (MSTOP = 1).
External main system clock	High-speed on-chip oscillator clock	Oscillation of high-speed on-chip oscillator • HIOSTOP = 0 • After elapse of oscillation accuracy stabilization time	External main system clock input can be disabled (MSTOP = 1).
	X1 clock	Transition not possible (To change the clock, set it again after executing reset once.)	–
	XT1 clock	Stabilization of XT1 oscillation • OSCSELS = 1, EXCLKS = 0, XTSTOP = 0 • After elapse of oscillation stabilization time	External main system clock input can be disabled (MSTOP = 1).
	External subsystem clock	Enabling input of external clock from the EXCLKS pin • OSCSELS = 1, EXCLKS = 1, XTSTOP = 0	External main system clock input can be disabled (MSTOP = 1).

Table 5-4. Changing CPU Clock (2/2)

CPU Clock		Condition Before Change	Processing After Change
Before Change	After Change		
XT1 clock	High-speed on-chip oscillator clock	Oscillation of high-speed on-chip oscillator and selection of high-speed on-chip oscillator clock as main system clock • HIOSTOP = 0, MCS = 0	XT1 oscillation can be stopped (XTSTOP = 1)
	X1 clock	Stabilization of X1 oscillation and selection of high-speed system clock as main system clock • OSCSEL = 1, EXCLK = 0, MSTOP = 0 • After elapse of oscillation stabilization time • MCS = 1	
	External main system clock	Enabling input of external clock from the EXCLK pin and selection of high-speed system clock as main system clock • OSCSEL = 1, EXCLK = 1, MSTOP = 0 • MCS = 1	
	High-speed on-chip oscillator clock	Transition not possible	–
External subsystem clock	High-speed on-chip oscillator clock	Oscillation of high-speed on-chip oscillator and selection of high-speed on-chip oscillator clock as main system clock • HIOSTOP = 0, MCS = 0	External subsystem clock input can be disabled (XTSTOP = 1).
	X1 clock	Stabilization of X1 oscillation and selection of high-speed system clock as main system clock • OSCSEL = 1, EXCLK = 0, MSTOP = 0 • After elapse of oscillation stabilization time • MCS = 1	
	External main system clock	Enabling input of external clock from the EXCLK pin and selection of high-speed system clock as main system clock • OSCSEL = 1, EXCLK = 1, MSTOP = 0 • MCS = 1	
	XT1 clock	Transition not possible	–

5.6.6 Time required for switchover of CPU clock and system clock

By setting bits 4 and 6 (MCM0, CSS) of the system clock control register (CKC), the CPU clock can be switched (between the main system clock and the subsystem clock), and main system clock can be switched (between the high-speed on-chip oscillator clock and the high-speed system clock).

The actual switchover operation is not performed immediately after rewriting to the CKC register; operation continues on the pre-switchover clock for several clocks (see **Table 5-5** to **Table 5-7**).

Whether the CPU is operating on the main system clock or the subsystem clock can be ascertained using bit 7 (CLS) of the CKC register. Whether the main system clock is operating on the high-speed system clock or high-speed on-chip oscillator clock can be ascertained using bit 5 (MCS) of the CKC register.

When the CPU clock is switched, the peripheral hardware clock is also switched.

Table 5-5. Maximum Time Required for System Clock Switchover

Clock A	Switching directions	Clock B	Remark
f _{IH}	↔	f _{MX}	See Table 5-6
f _{MAIN}	↔	f _{SUB}	See Table 5-7

Table 5-6. Maximum Number of Clocks Required for f_{IH} ↔ f_{MX}

Set Value Before Switchover		Set Value After Switchover	
MCM0		MCM0	
		0 (f _{MAIN} = f _{IH})	1 (f _{MAIN} = f _{MX})
0 (f _{MAIN} = f _{IH})	f _{MX} ≥ f _{IH}		2 clock
	f _{MX} < f _{IH}		2f _{IH} /f _{MX} clock
1 (f _{MAIN} = f _{MX})	f _{MX} ≥ f _{IH}	2f _{MX} /f _{IH} clock	
	f _{MX} < f _{IH}	2 clock	

Table 5-7. Maximum Number of Clocks Required for f_{MAIN} ↔ f_{SUB}

Set Value Before Switchover		Set Value After Switchover	
CSS		CSS	
		0 (f _{CLK} = f _{MAIN})	1 (f _{CLK} = f _{SUB})
0 (f _{CLK} = f _{MAIN})			1 + 2f _{MAIN} /f _{SUB} clock
1 (f _{CLK} = f _{SUB})		3 clock	

- Remarks**
1. The number of clocks listed in Table 5-6 to Table 5-7 is the number of CPU clocks before switchover.
 2. Calculate the number of clocks in Table 5-6 to Table 5-7 by removing the decimal portion.

Example When switching the main system clock from the high-speed system clock to the high-speed on-chip oscillator clock (@ oscillation with f_{IH} = 8 MHz, f_{MX} = 10 MHz)
 $2f_{MX}/f_{IH} = 2 (10/8) = 2.5 \rightarrow 3$ clocks

5.6.7 Conditions before clock oscillation is stopped

The following lists the register flag settings for stopping the clock oscillation (disabling external clock input) and conditions before the clock oscillation is stopped.

Table 5-8. Conditions Before the Clock Oscillation Is Stopped and Flag Settings

Clock	Conditions Before Clock Oscillation Is Stopped (External Clock Input Disabled)	Flag Settings of SFR Register
High-speed on-chip oscillator clock	MCS = 1 or CLS = 1 (The CPU is operating on a clock other than the high-speed on-chip oscillator clock.)	HIOSTOP = 1
X1 clock	MCS = 0 or CLS = 1 (The CPU is operating on a clock other than the high-speed system clock.)	MSTOP = 1
External main system clock		
XT1 clock	CLS = 0 (The CPU is operating on a clock other than the subsystem clock.)	XTSTOP = 1
External subsystem clock		

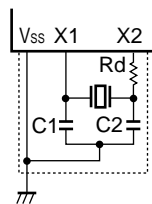
<R> 5.7 Resonator and Oscillator Constants

The resonators for which the operation is verified and their oscillator constants are shown below.

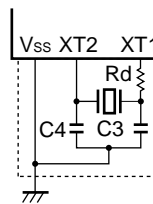
- Cautions 1.** The constants for these oscillator circuits are reference values based on specific environments set up for evaluation by the manufacturers. For actual applications, request evaluation by the manufacturer of the oscillator circuit mounted on a board. Furthermore, if you are switching from a different product to this microcontroller, and whenever you change the board, again request evaluation by the manufacturer of the oscillator circuit mounted on the new board.
- 2.** The oscillation voltage and oscillation frequency only indicate the oscillator characteristic. Use the RL78 microcontroller so that the internal operation conditions are within the specifications of the DC and AC characteristics.

Figure 5-16. External Oscillation Circuit Example

(a) X1 oscillation



(b) XT1 oscillation



(1) X1 oscillation:

As of October, 2013

<R>	Manufacturer	Resonator	Part Number ^{Note 3}	SMD/ Lead	Frequency (MHz)	Flash operation mode ^{Note 1}	Recommended Circuit Constants ^{Note 2} (reference)			Oscillation Voltage Range (V)	
							C1 (pF)	C2 (pF)	Rd (kΩ)	MIN.	MAX.
Murata Manufacturing Co., Ltd.	Ceramic resonator	CSTCC2M00G56-R0	SMD	2.0	LV	(47)	(47)	0	1.6	5.5	
		CSTCR4M00G55-R0	SMD	4.0		(39)	(39)	0			
		CSTLS4M00G53-B0	Lead			(15)	(15)	0			
		CSTCC2M00G56-R0	SMD	2.0	LS	(47)	(47)	0	1.8	5.5	
		CSTCR4M00G55-R0	SMD	4.0		(39)	(39)	0			
		CSTLS4M00G53-B0	Lead			(15)	(15)	0			
		CSTCR4M19G55-R0	SMD	4.194		(39)	(39)	0			
		CSTLS4M19G53-B0	Lead			(15)	(15)	0			
		CSTCR4M91G53-R0	SMD	4.915		(15)	(15)	0			
		CSTLS4M91G53-B0	Lead			(15)	(15)	0			
		CSTCR5M00G53-R0	SMD	5.0		(15)	(15)	0			
		CSTLS5M00G53-B0	Lead			(15)	(15)	0			
		CSTCR6M00G53-R0	SMD	6.0		(15)	(15)	0			
		CSTLS6M00G53-B0	Lead		(15)	(15)	0				
		CSTCE8M00G52-R0	SMD	8.0	HS	(10)	(10)	0	2.4	5.5	
		CSTLS8M00G53-B0	Lead			(15)	(15)	0			
		CSTCE8M38G52-R0	SMD	8.388		(10)	(10)	0			
		CSTLS8M38G53-B0	Lead			(15)	(15)	0			
		CSTCE10M0G52-R0	SMD	10.0		(10)	(10)	0			
		CSTLS10M0G53-B0	Lead			(15)	(15)	0			
CSTCE12M0G52-R0	SMD	12.0	(10)	(10)		0					
CSTCE16M0V53-R0	SMD	16.0	(15)	(15)		0					
CSTLS16M0X51-B0	Lead		(5)	(5)	0						
CSTCE20M0V51-R0	SMD	20.0	HS	(5)	(5)	0	2.7	5.5			
CSTLS20M0X51-B0	Lead			(5)	(5)	0					
Nihon Dempa Kogyo Co., Ltd.	Crystal resonator	NX8045GB ^{Note 4}	SMD	8.0	Note 4						
		NX5032GA ^{Note 4}	SMD	16.0							
		NX3225HA ^{Note 4}	SMD	20.0	HS	3	3	0	2.4	5.5	

- Notes 1.** Set the flash operation mode by using CMODE1 and CMODE0 bits of the option byte (000C2H).
- 2.** Values in parentheses in the C1 and C2 columns indicate an internal capacitance.
- 3.** Products supporting 105°C operation have different part numbers. For details, contact Murata Manufacturing Co., Ltd. (<http://www.murata.com>)
- 4.** When using this resonator, for details about the matching, contact Nihon Dempa Kogyo Co., Ltd (<http://www.ndk.com/en>).

Remark Relationship between operation voltage width, operation frequency of CPU and operation mode is as below.

- HS (high-speed main) mode: $2.7\text{ V} \leq V_{DD} \leq 5.5\text{ V}@1\text{ MHz to }24\text{ MHz}$
 $2.4\text{ V} \leq V_{DD} \leq 5.5\text{ V}@1\text{ MHz to }16\text{ MHz}$
- LS (low-speed main) mode: $1.8\text{ V} \leq V_{DD} \leq 5.5\text{ V}@1\text{ MHz to }8\text{ MHz}$
- LV (low-voltage main) mode: $1.6\text{ V} \leq V_{DD} \leq 5.5\text{ V}@1\text{ MHz to }4\text{ MHz}$

<R> (2) XT1 oscillation: Crystal resonator

As of October, 2013

Manufacturer	Part Number <small>Note 2</small>	SMD/ Lead	Frequency (kHz)	Load Capacitance CL (pF)	XT1 oscillation mode <small>Note 1</small>	Recommended Circuit Constants			Oscillation Voltage Range (V)	
						C1 (pF)	C2 (pF)	Rd (kΩ)	MIN.	MAX
						Nihon Dempa Kogyo Co., Ltd.	NX3215SA <small>Note 3</small>	SMD	32.768	6
Low power consumption oscillation	6	7								
Ultra-low power consumption oscillation	6	6								
NX2012SA <small>Note 3</small>	SMD	32.768	6	Normal oscillation	Note 3					
				Low power consumption oscillation						
				Ultra-low power consumption oscillation						

- Notes**
1. Set the XT1 oscillation mode by using AMPHS0 and AMPHS1 bits of the clock operation mode control register (CMC).
 2. This resonator supports operation at up to 85°C. Contact crystal oscillator manufacturers with regard to products supporting operation at up to 105°C.
 3. When using this resonator, for details about the matching, contact Nihon Dempa Kogyo Co., Ltd (<http://www.ndk.com/en>).

CHAPTER 6 TIMER ARRAY UNIT

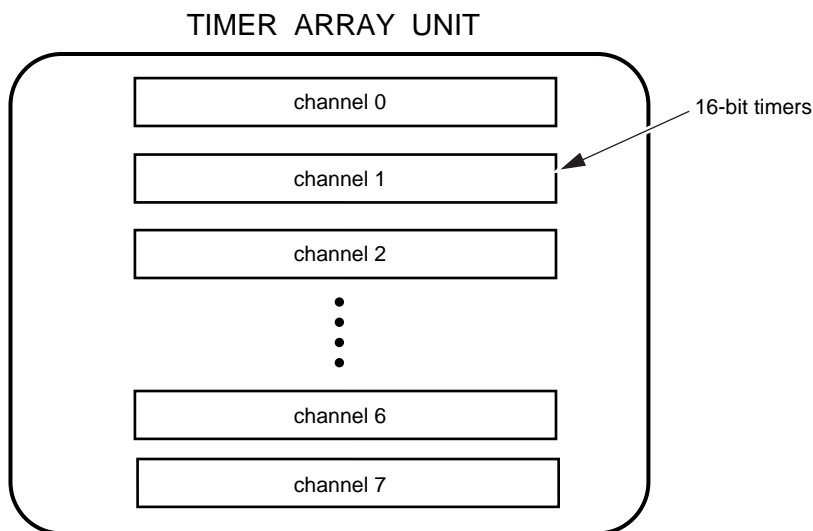
<R> The number of units or channels of the timer array unit differs, depending on the product.

Channels	32-pin	44-pin	48-pin	52-pin	64-pin
Channel 0	√	√	√	√	√
Channel 1	√	√	√	√	√
Channel 2	√	√	√	√	√
Channel 3	—	√	√	√	√
Channel 4	—	—	√	√	√
Channel 5	—	—	—	√	√
Channel 6	—	—	—	√	√
Channel 7	√	√	√	√	√

- Cautions**
1. The presence or absence of timer I/O pins depends on the product. See Table 6-2 Timer I/O Pins Provided in Each Product for details.
 2. Most of the following descriptions in this chapter use the 128-pin products as an example.

The timer array unit has eight 16-bit timers.

Each 16-bit timer is called a channel and can be used as an independent timer. In addition, two or more “channels” can be used to create a high-accuracy timer.



For details about each function, see the table below.

Independent channel operation function	Simultaneous channel operation function
<ul style="list-style-type: none"> • Interval timer (→ refer to 6.8.1) • Square wave output (→ refer to 6.8.1) • External event counter (→ refer to 6.8.2) • Divider ^{Note 1} (→ refer to 6.8.3) • Input pulse interval measurement (→ refer to 6.8.4) • Measurement of high-/low-level width of input signal (→ refer to 6.8.5) • Delay counter (→ refer to 6.8.6) 	<ul style="list-style-type: none"> • One-shot pulse output(→ refer to 6.9.1) • PWM output(→ refer to 6.9.2) • Multiple PWM output(→ refer to 6.9.3) • Remote control output function ^{Note 2} (→ refer to 6.9.4)

- Notes**
1. Only channel 0.
 2. 44, 48, 52, 64-pin products only.

It is possible to use the 16-bit timer of channels 1 and 3 as two 8-bit timers (higher and lower). The functions that can use channels 1 and 3 as 8-bit timers are as follows:

- <R>
- Interval timer (upper or lower 8-bit timer)/square wave output
 - External event counter (lower 8-bit timer only)
 - Delay counter (lower 8-bit timer only)

Channel 5 can be used to realize LIN-bus communication operating in combination with UART0 of the serial array unit.

6.1 Functions of Timer Array Unit

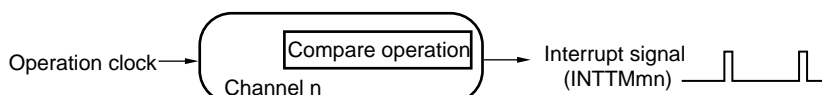
Timer array unit has the following functions.

6.1.1 Independent channel operation function

By operating a channel independently, it can be used for the following purposes without being affected by the operation mode of other channels.

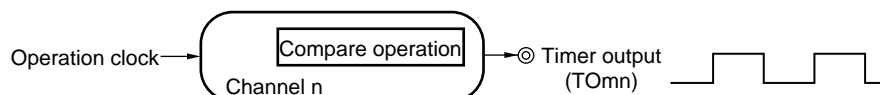
(1) Interval timer

Each timer of a unit can be used as a reference timer that generates an interrupt (INTTMmn) at fixed intervals.



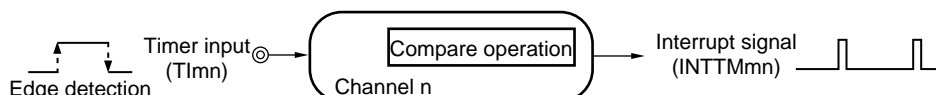
(2) Square wave output

A toggle operation is performed each time INTTMmn interrupt is generated and a square wave with a duty factor of 50% is output from a timer output pin (TOMn).



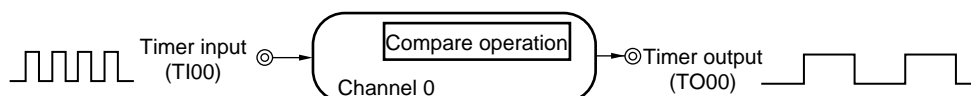
(3) External event counter

Each timer of a unit can be used as an event counter that generates an interrupt when the number of the valid edges of a signal input to the timer input pin (TIMn) has reached a specific value.



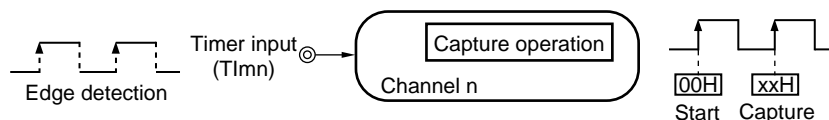
(4) Divider function (channel 0 only)

A clock input from a timer input pin (TI00) is divided and output from an output pin (TO00).



(5) Input pulse interval measurement

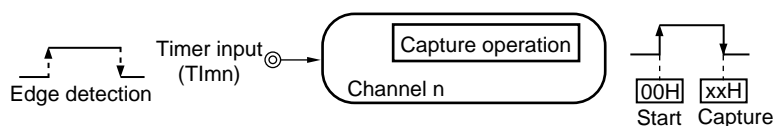
Counting is started by the valid edge of a pulse signal input to a timer input pin (TIMn). The count value of the timer is captured at the valid edge of the next pulse. In this way, the interval of the input pulse can be measured.



(Note, Caution, and Remark are listed on the next page.)

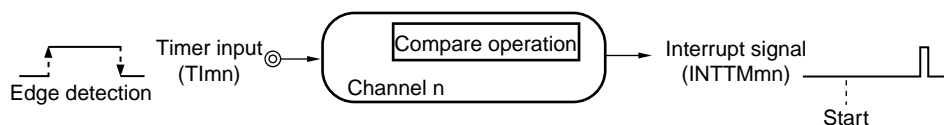
(6) Measurement of high-/low-level width of input signal

Counting is started by a single edge of the signal input to the timer input pin (TImn), and the count value is captured at the other edge. In this way, the high-level or low-level width of the input signal can be measured.



(7) Delay counter

Counting is started at the valid edge of the signal input to the timer input pin (TImn), and an interrupt is generated after any delay period.



Remarks 1 m: Unit number (m = 0), n: Channel number (n = 0 to 7)

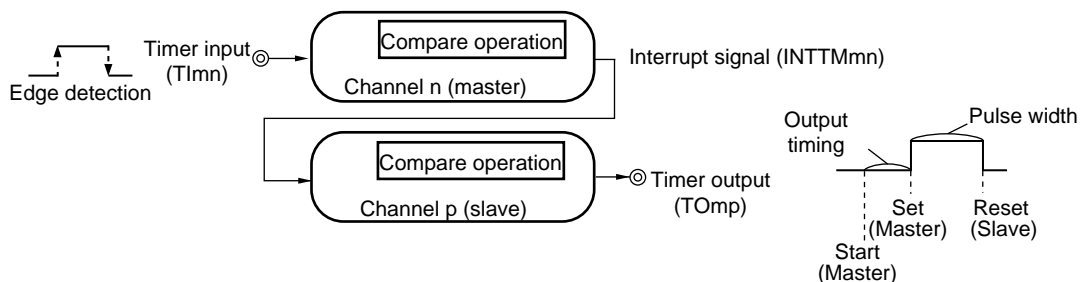
2. The presence or absence of timer I/O pins of channel 0 to 7 depends on the product. See **Table 6-2 Timer I/O Pins provided in Each Product** for details.

6.1.2 Simultaneous channel operation function

By using the combination of a master channel (a reference timer mainly controlling the cycle) and slave channels (timers operating according to the master channel), channels can be used for the following purposes.

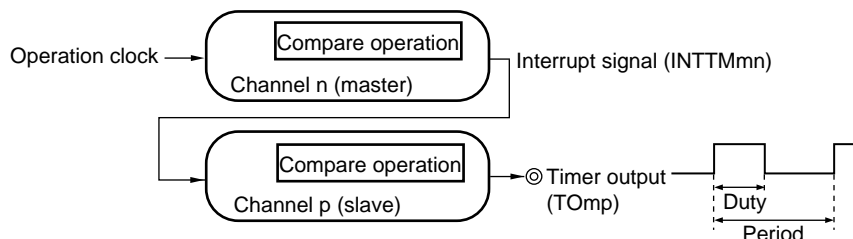
<R> (1) One-shot pulse output

Two channels are used as a set to generate a one-shot pulse with a specified output timing and a specified pulse width.



(2) PWM (Pulse Width Modulation) output

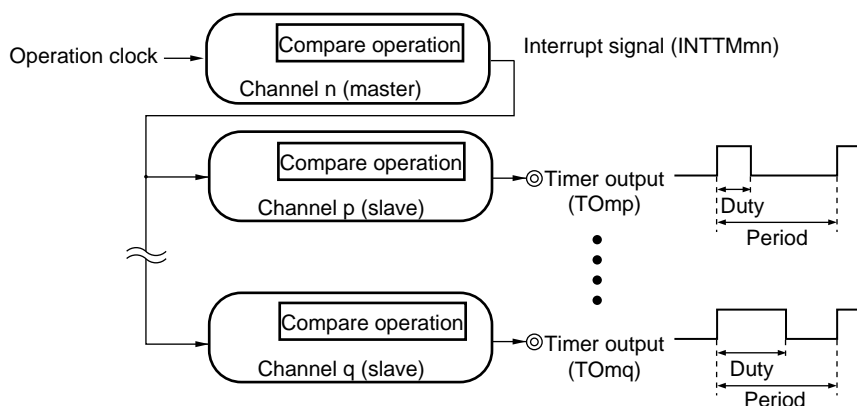
Two channels are used as a set to generate a pulse with a specified period and a specified duty factor.



(Caution is listed on the next page.)

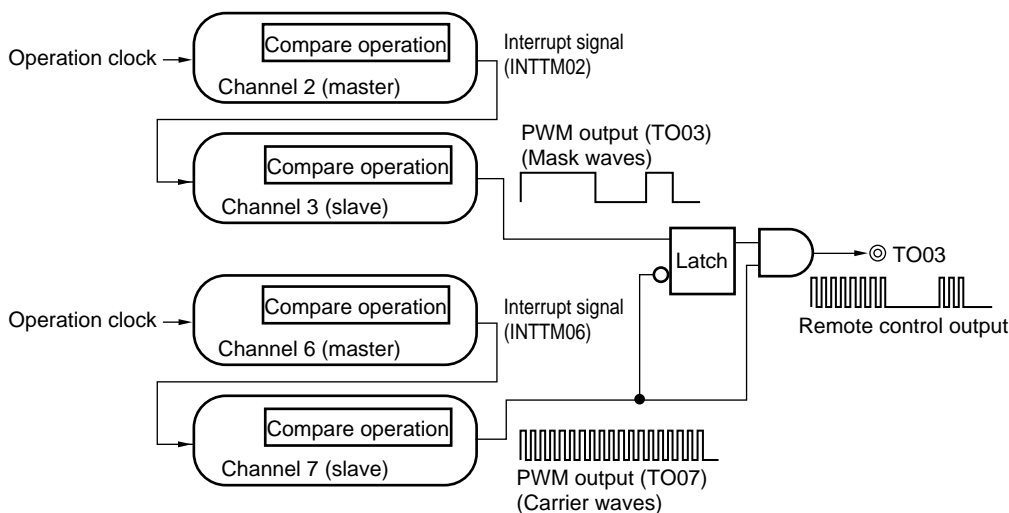
(3) Multiple PWM (Pulse Width Modulation) output

By extending the PWM function and using one master channel and two or more slave channels, up to seven types of PWM signals that have a specific period and a specified duty factor can be generated.



(4) Remote control output function

The pairings of channels 2 and 3 and channels 6 and 7 are used to output the PWM signal. The PWM signal output from channel 3 is used as a mask waves, the PWM signal output from channel 7 is used as a carrier waves, and the logical products of these signals are output as remote control output.



Caution For details about the rules of simultaneous channel operation function, see 6.4.1 Basic rules of simultaneous channel operation function.

Remark m: Unit number (m = 0), n: Channel number (n = 0 to 7),
 p, q: Slave channel number (n < p < q ≤ 7)

6.1.3 8-bit timer operation function (channels 1 and 3 only)

The 8-bit timer operation function makes it possible to use a 16-bit timer channel in a configuration consisting of two 8-bit timer channels. This function can only be used for channels 1 and 3.

Caution There are several rules for using 8-bit timer operation function.

For details, see 6.4.2 Basic rules of 8-bit timer operation function (channels 1 and 3 only).

6.1.4 LIN-bus supporting function (channel 5 only)

Timer array unit is used to check whether signals received in LIN-bus communication match the LIN-bus communication format.

(1) Detection of wakeup signal

The timer starts counting at the falling edge of a signal input to the serial data input pin (RxD0) of UART0 and the count value of the timer is captured at the rising edge. In this way, a low-level width can be measured. If the low-level width is greater than a specific value, it is recognized as a wakeup signal.

(2) Detection of break field

The timer starts counting at the falling edge of a signal input to the serial data input pin (RxD0) of UART0 after a wakeup signal is detected, and the count value of the timer is captured at the rising edge. In this way, a low-level width is measured. If the low-level width is greater than a specific value, it is recognized as a break field.

(3) Measurement of pulse width of sync field

After a break field is detected, the low-level width and high-level width of the signal input to the serial data input pin (RxD0) of UART0 are measured. From the bit interval of the sync field measured in this way, a baud rate is calculated.

Remark For details about setting up the operations used to implement the LIN-bus, see 6.3.14 Input switch control register (ISC) and 6.8.5 Operation as input signal high-/low-level width measurement.

6.2 Configuration of Timer Array Unit

Timer array unit includes the following hardware.

Table 6-1. Configuration of Timer Array Unit

Item	Configuration
Timer/counter	Timer count register mn (TCRmn)
Register	Timer data register mn (TDRmn)
Timer input	TI00 to TI07 ^{Note 1} , RxD0 pin (for LIN-bus)
Timer output	TO00 to TO07 ^{Note 1} , output controller
Control registers	<p><Registers of unit setting block></p> <ul style="list-style-type: none"> • Peripheral enable register 0 (PER0) • Timer clock select register m (TPSm) • Timer channel enable status register m (TEm) • Timer channel start register m (TSM) • Timer channel stop register m (TTm) • Timer input select register 0 (TIS0) • Timer output select register (TOS) • Timer output enable register m (TOEm) • Timer output register m (TOm) • Timer output level register m (TOLm) • Timer output mode register m (TOMm) <p><Registers of each channel></p> <ul style="list-style-type: none"> • Timer mode register mn (TMRmn) • Timer status register mn (TSRmn) • Input switch control register (ISC) • Noise filter enable register 1 (NFEN1) • Port mode control register (PMCxx) ^{Note 2} • Port mode register (PMxx) ^{Note 2} • Port register (Pxx) ^{Note 2}

- Notes**
1. The presence or absence of timer I/O pins of channel 0 to 7 depends on the product. See **Table 6-2 Timer I/O Pins provided in Each Product** for details.
 2. The Port mode control register (PMCxx), port mode registers (PMxx) and port registers (Pxx) to be set differ depending on the product. For details, see **6.3.16 Port mode registers 1, 3 to 5, 14 (PM1, PM3 to PM5, PM14)**.

Remark m: Unit number (m = 0), n: Channel number (n = 0 to 7)

The presence or absence of timer I/O pins in each timer array unit channel depends on the product.

Table 6-2. Timer I/O Pins Provided in Each Product

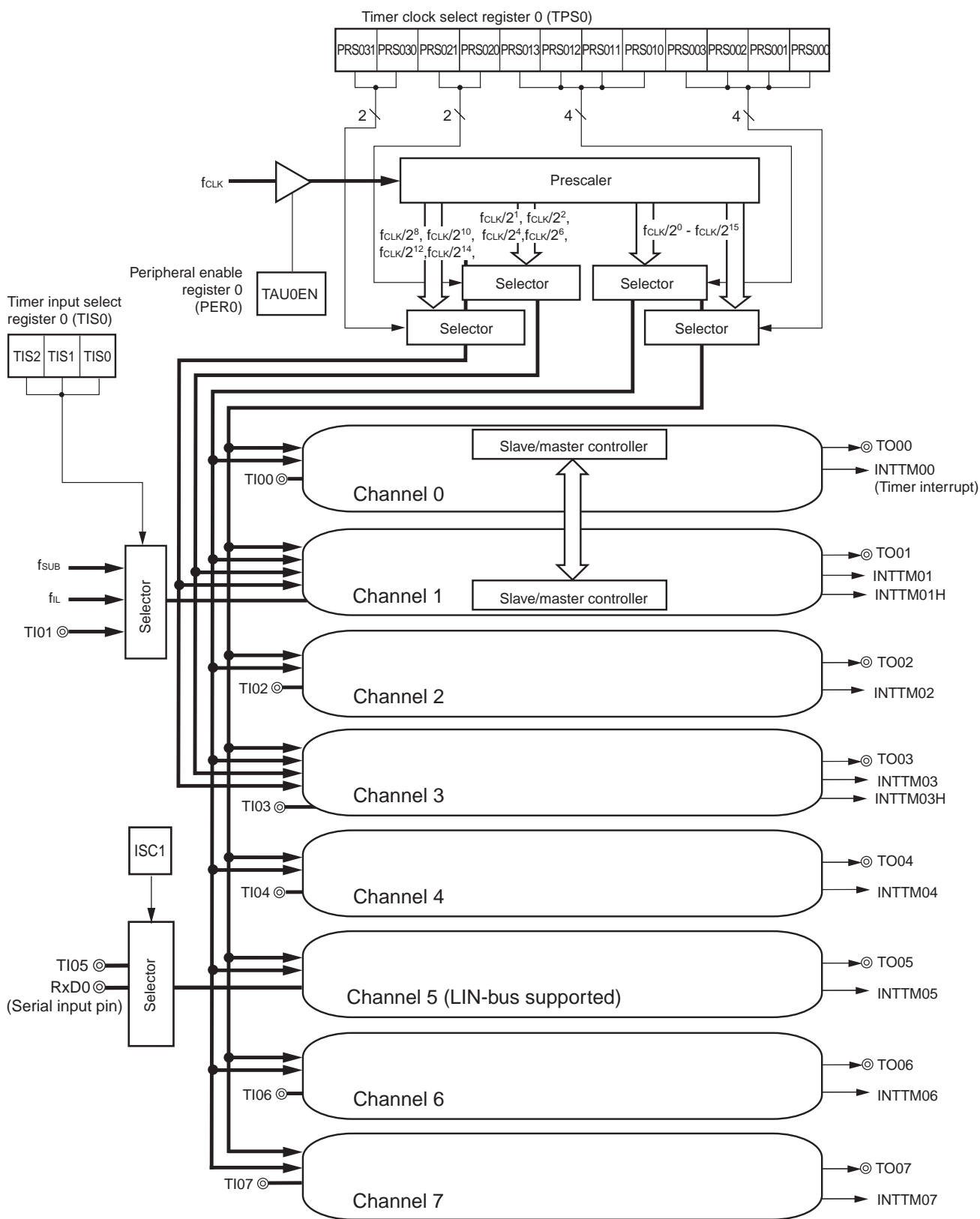
Timer array unit channels	I/O Pins of Each Product				
	32-pin	44-pin	48-pin	52-pin	64-pin
Channel 0	P13/TI00, P140/TO00	P141/TI00, P140/TO00			
Channel 1	P30/TI01/TO01				
Channel 2	P17/TI02/TO02 (P12)			P17/TI02/TO02 (P54)	
Channel 3	–	P32/TI03/TO03			
Channel 4	–	–	P41/TI04/TO04		
Channel 5	–	–	–	P42/TI05/TO05	
Channel 6	–	–	–	P51/TI06/TO06	
Channel 7	P10/TI07/TO07				P53/TI07/TO07

- Remarks**
1. When timer input and timer output are shared by the same pin, either only timer input or only timer output can be used.
 2. –: There is no timer I/O pin, but the channel is available. (However, the channel can only be used as an interval timer.)
 3. “(P12), (P54)” indicates an alternate port when the bit 0 of the peripheral I/O redirection register (PIOR) is set to “1”.

Figure 6-1 shows the block diagrams of the timer array unit.

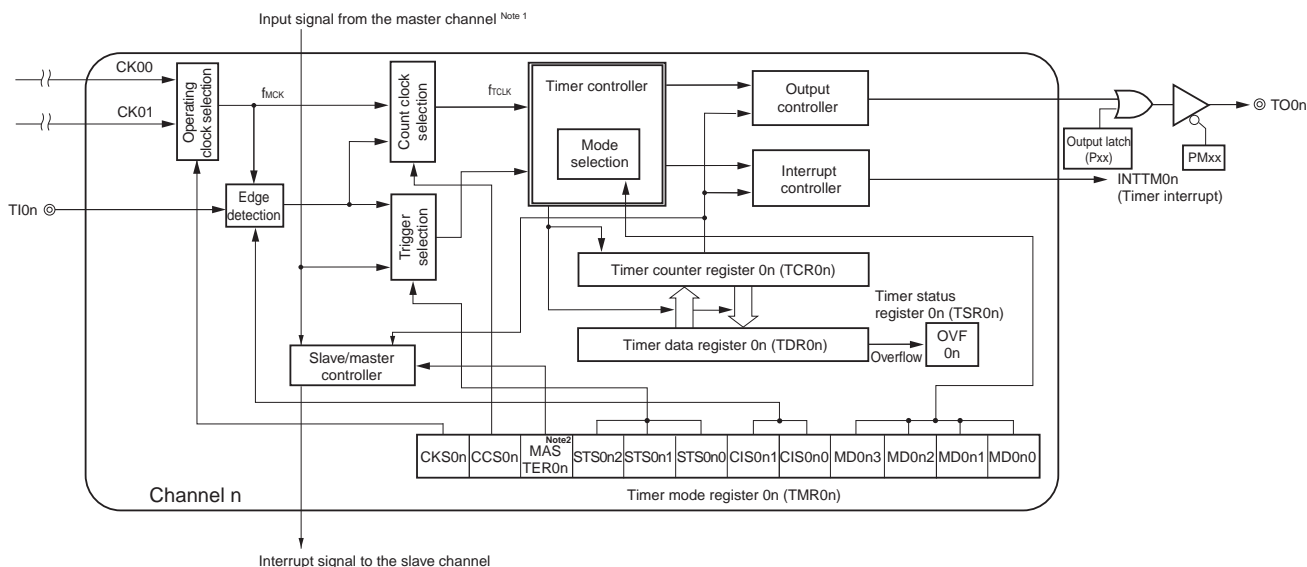
<R>

Figure 6-1. Entire Configuration of Timer Array Unit (Example: 64-pin products)



Remark f_{SUB} : Subsystem clock frequency
 f_{IL} : Low-speed on-chip oscillator clock frequency

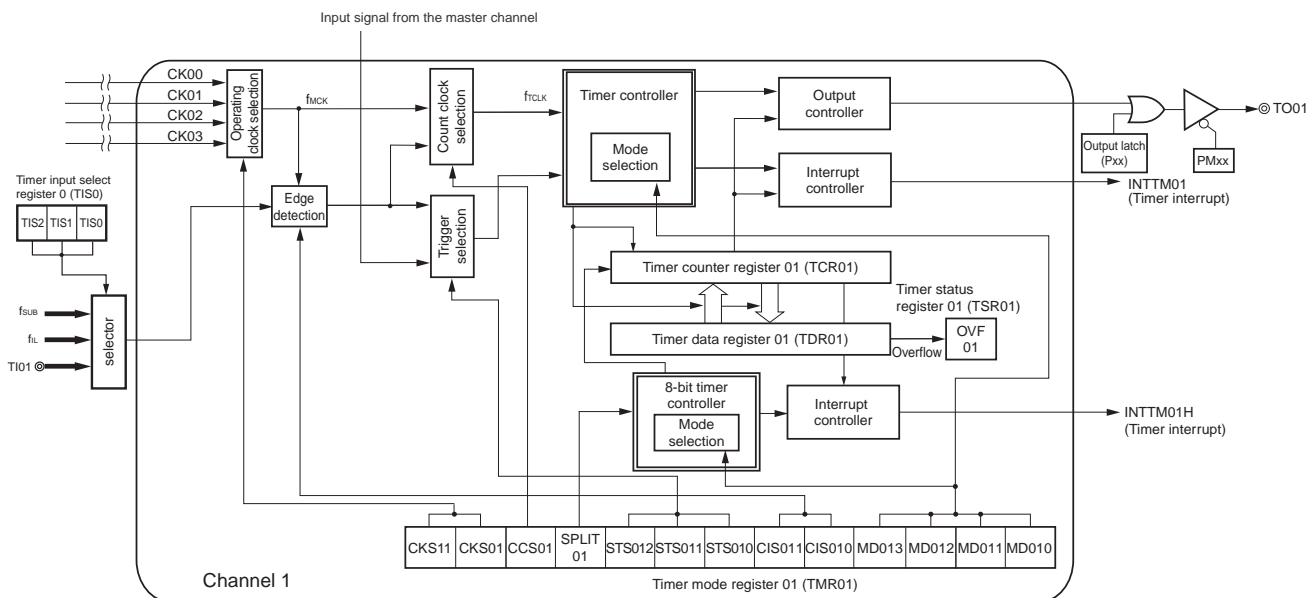
<R> **Figure 6-2. Internal Block Diagram of Channels 0, 2, 4, 6 of Timer Array Unit 0**



- <R> **Notes**
1. Channels 2, 4, and 6 only
 2. n = 2, 4, 6 only

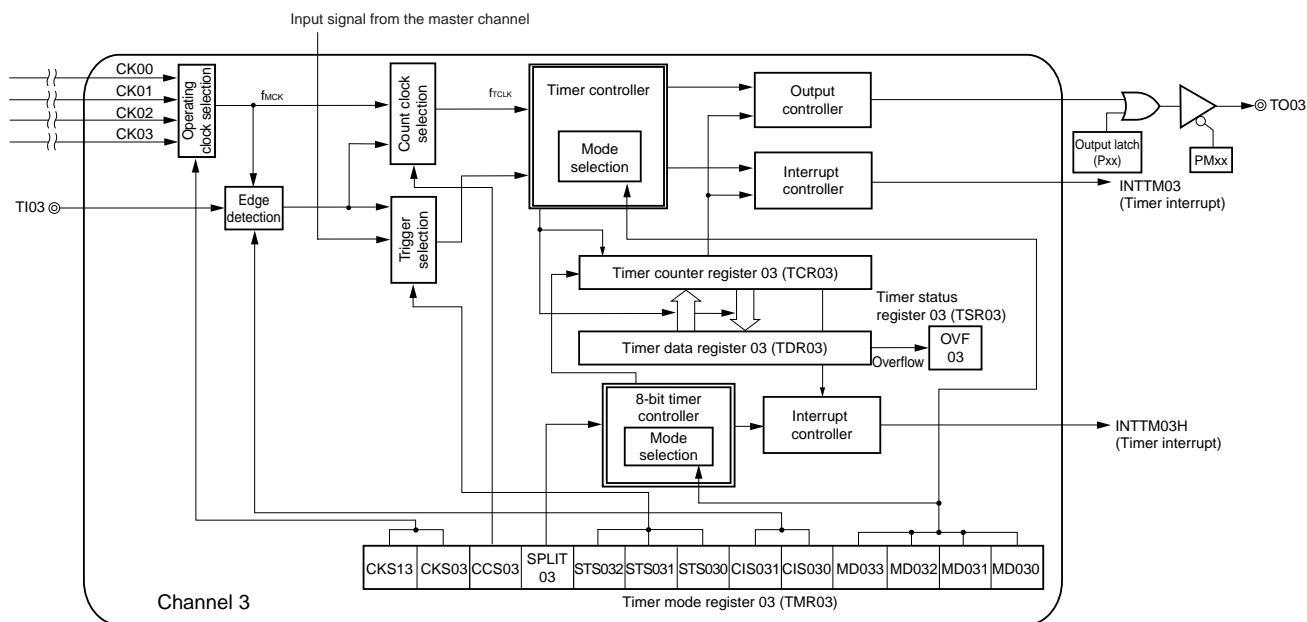
Remark n = 0, 2, 4, 6

<R> **Figure 6-3. Internal Block Diagram of Channel 1 of Timer Array Unit 0**



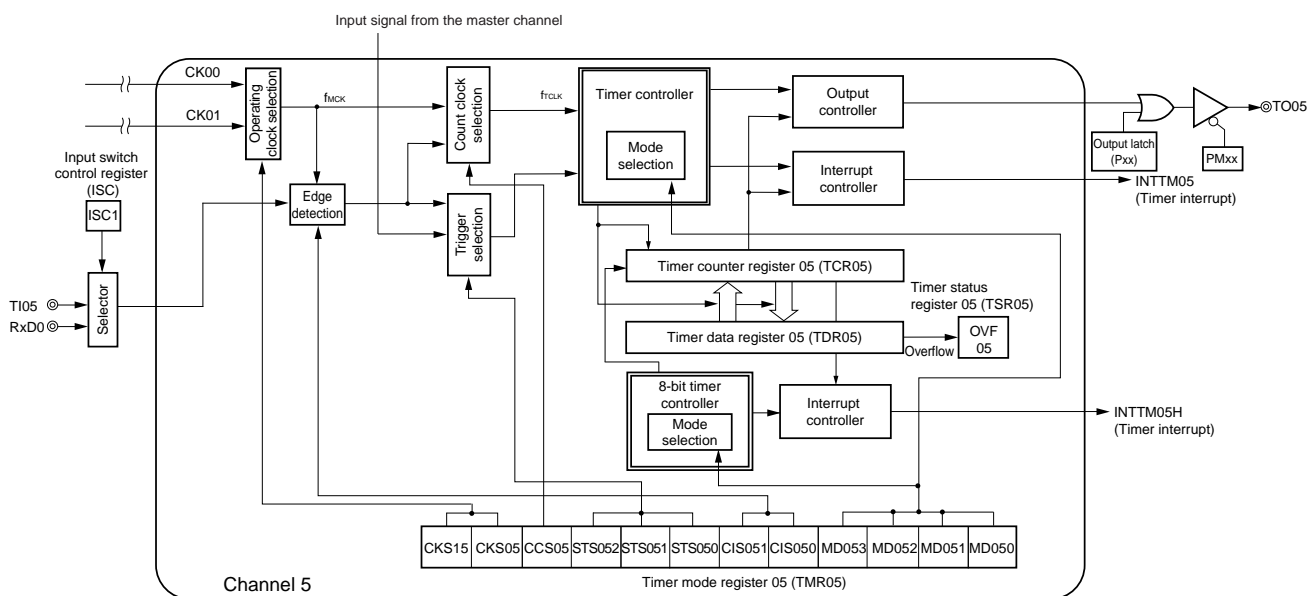
<R>

Figure 6-4. Internal Block Diagram of Channel 3 of Timer Array Unit 0



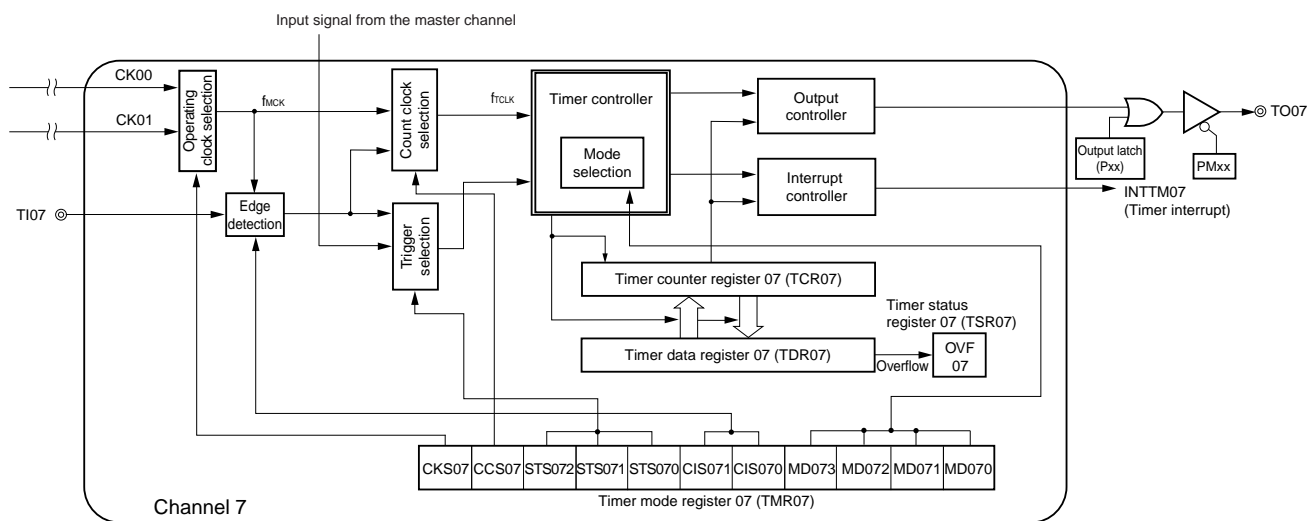
<R>

Figure 6-5. Internal Block Diagram of Channel 5 of Timer Array Unit 0



<R>

Figure 6-6. Internal Block Diagram of Channel 7 of Timer Array Unit 0



6.2.1 Timer count register mn (TCRmn)

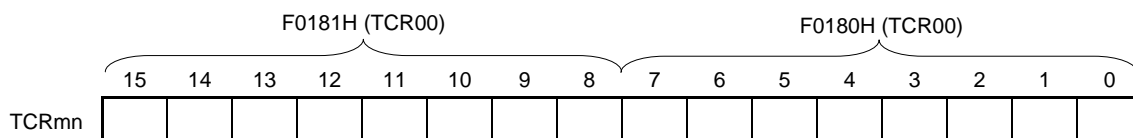
The TCRmn register is a 16-bit read-only register and is used to count clocks.

The value of this counter is incremented or decremented in synchronization with the rising edge of a count clock.

Whether the counter is incremented or decremented depends on the operation mode that is selected by the MDmn3 to MDmn0 bits of timer mode register mn (TMRmn) (refer to 6.3.3 Timer mode register mn (TMRmn)).

Figure 6-7. Format of Timer Count Register mn (TCRmn)

Address: F0180H, F0181H (TCR00) to F018EH, F018FH (TCR07) After reset: FFFFH R



Remark m: Unit number (m = 0), n: Channel number (n = 0 to 7)

The count value can be read by reading timer count register mn (TCRmn).

The count value is set to FFFFH in the following cases.

- When the reset signal is generated
- When the TAU0EN bit of peripheral enable register 0 (PER0) is cleared
- When counting of the slave channel has been completed in the PWM output mode
- When counting of the slave channel has been completed in the delay count mode
- When counting of the master/slave channel has been completed in the one-shot pulse output mode
- When counting of the slave channel has been completed in the multiple PWM output mode

The count value is cleared to 0000H in the following cases.

- When the start trigger is input in the capture mode
- When capturing has been completed in the capture mode

Caution The count value is not captured to timer data register mn (TDRmn) even when the TCRmn register is read.

The TCRmn register read value differs as follows according to operation mode changes and the operating status.

Table 6-3. Timer Count Register mn (TCRmn) Read Value in Various Operation Modes

Operation Mode	Count Mode	Timer count register mn (TCRmn) Read Value ^{Note}			
		Value if the operation mode was changed after releasing reset	Value if the Operation was restarted after count operation paused (TTmn = 1)	Value if the operation mode was changed after count operation paused (TTmn = 1)	Value when waiting for a start trigger after one count
Interval timer mode	Count down	FFFFH	Value if stop	Undefined	–
Capture mode	Count up	0000H	Value if stop	Undefined	–
Event counter mode	Count down	FFFFH	Value if stop	Undefined	–
One-count mode	Count down	FFFFH	Value if stop	Undefined	FFFFH
Capture & one-count mode	Count up	0000H	Value if stop	Undefined	Capture value of TDRmn register + 1

Note This indicates the value read from the TCRmn register when channel n has stopped operating as a timer (TEmn = 0) and has been enabled to operate as a counter (TSmn = 1). The read value is held in the TCRmn register until the count operation starts.

Remark m: Unit number (m = 0), n: Channel number (n = 0 to 7)

6.2.2 Timer data register mn (TDRmn)

This is a 16-bit register from which a capture function and a compare function can be selected.

The capture or compare function can be switched by selecting an operation mode by using the MDmn3 to MDmn0 bits of timer mode register mn (TMRmn).

The value of the TDRmn register can be changed at any time.

This register can be read or written in 16-bit units.

In addition, for the TDRm1 and TDRm3 registers, while in the 8-bit timer mode (when the SPLIT bits of timer mode registers m1 and m3 (TMRm1, TMRm3) are 1), it is possible to read and write the data in 8-bit units, with TDRm1H and TDRm3H used as the higher 8 bits, and TDRm1L and TDRm3L used as the lower 8 bits.

Reset signal generation clears this register to 0000H.

Figure 6-8. Format of Timer Data Register mn (TDRmn) (n = 0, 2, 4 to 7)

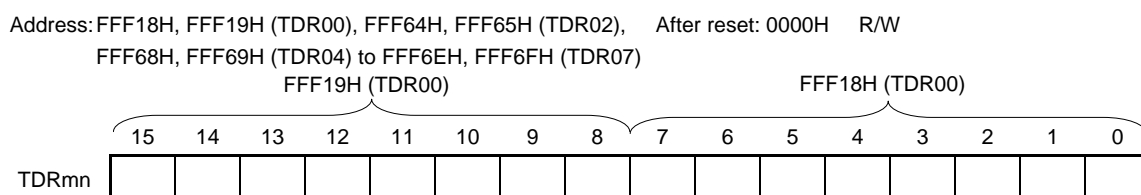
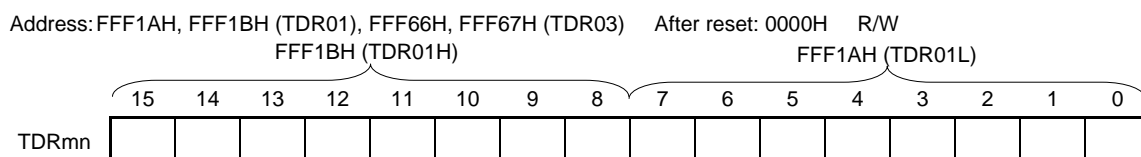


Figure 6-9. Format of Timer Data Register mn (TDRmn) (n = 1, 3)



(i) When timer data register mn (TDRmn) is used as compare register

Counting down is started from the value set to the TDRmn register. When the count value reaches 0000H, an interrupt signal (INTTMmn) is generated. The TDRmn register holds its value until it is rewritten.

Caution The TDRmn register does not perform a capture operation even if a capture trigger is input, when it is set to the compare function.

(ii) When timer data register mn (TDRmn) is used as capture register

The count value of timer count register mn (TCRmn) is captured to the TDRmn register when the capture trigger is input.

A valid edge of the TImn pin can be selected as the capture trigger. This selection is made by timer mode register mn (TMRmn).

Remark m: Unit number (m = 0), n: Channel number (n = 0 to 7)

6.3 Registers Controlling Timer Array Unit

Timer array unit is controlled by the following registers.

- Peripheral enable register 0 (PER0)
- Timer clock select register m (TPSm)
- Timer mode register mn (TMRmn)
- Timer status register mn (TSRmn)
- Timer channel enable status register m (TEm)
- Timer channel start register m (TSm)
- Timer channel stop register m (TTm)
- Timer input select register 0 (TIS0)
- Timer output select register (TOS)
- Timer output enable register m (TOEm)
- Timer output register m (TOm)
- Timer output level register m (TOLm)
- Timer output mode register m (TOMm)
- Input switch control register (ISC)
- Noise filter enable registers 1 (NFEN1)
- Port mode control register (PMCxx)^{Note}
- Port mode register (PMxx)^{Note}
- Port register (Pxx)^{Note}

Note The port mode registers (PMxx) and port registers (Pxx) to be set differ depending on the product. For details, see 6.3.16 Port mode registers 1, 3 to 5, 14 (PM1, PM3 to PM5, PM14).

Remark m: Unit number (m = 0), n: Channel number (n = 0 to 7)

6.3.1 Peripheral enable register 0 (PER0)

This registers is used to enable or disable supplying the clock to the peripheral hardware. Clock supply to a hardware macro that is not used is stopped in order to reduce the power consumption and noise.

When the timer array unit is used, be sure to set bit 0 (TAU0EN) of this register to 1.

The PER0 register can be set by a 1-bit or 8-bit memory manipulation instruction.

Reset signal generation clears this register to 00H.

Figure 6-10. Format of Peripheral Enable Register 0 (PER0)

Address: F00F0H After reset: 00H R/W

Symbol	<7>	6	<5>	<4>	3	<2>	1	<0>
PER0	RTCEN	0	ADCEN	IICA0EN	0	SAU0EN	0	TAU0EN

TAU0EN	Control of timer array unit input clock
0	Stops supply of input clock. <ul style="list-style-type: none"> • SFR used by the timer array unit cannot be written. • The timer array unit is in the reset status.
1	Supplies input clock. <ul style="list-style-type: none"> • SFR used by the timer array unit can be read/written.

<R>

- Cautions 1.** When setting the timer array unit, be sure to set the following registers first while the TAU0EN bit is set to 1. If TAU0EN = 0, the values of the registers which control the timer array unit are cleared to their initial values and writing to them is ignored (except for the timer input select register 0 (TIS0), timer output select register (TOS), input switch control register (ISC), noise filter enable register 1 (NFEN1), port mode control registers 1, 4, 14 (PMC1, PMC4, PMC14), port mode registers 1, 3 to 5, 14 (PM1, PM3 to PM5, PM14), and port registers 1, 3 to 5, 14 (P1, P3 to P5, P14)).
- Timer clock select register m (TPSm)
 - Timer mode register mn (TMRmn)
 - Timer status register mn (TSRmn)
 - Timer channel enable status register m (TEm)
 - Timer channel start register m (TSM)
 - Timer channel stop register m (TTm)
 - Timer output enable register m (TOEm)
 - Timer output register m (TOM)
 - Timer output level register m (TOLm)
 - Timer output mode register m (TOMm)
- 2.** Be sure to clear bits 1, 3, and 6 to “0”.

6.3.2 Timer clock select register m (TPSm)

The TPSm register is a 16-bit register that is used to select two types or four types of operation clocks (CKm0, CKm1) that are commonly supplied to each channel from external prescaler. CKm1 is selected by using bits 7 to 4 of the TPSm register, and CKm0 is selected by using bits 3 to 0. In addition, for channel 1 and 3, CKm2 is selected by using bits 9 and 8 of the TPSm register, and CKm3 is selected by using bits 13 and 12.

Rewriting of the TPSm register during timer operation is possible only in the following cases.

If the PRSm00 to PRSm03 bits can be rewritten (n = 0 to 7):

All channels for which CKm0 is selected as the operation clock (CKSmn1, CKSmn0 = 0, 0) are stopped (TEmn = 0).

If the PRSm10 to PRSm13 bits can be rewritten (n = 0 to 7):

All channels for which CKm1 is selected as the operation clock (CKSmn1, CKSmn0 = 0, 1) are stopped (TEmn = 0).

If the PRSm20 and PRSm21 bits can be rewritten (n = 1, 3):

All channels for which CKm2 is selected as the operation clock (CKSmn1, CKSmn0 = 1, 0) are stopped (TEmn = 0).

If the PRSm30 and PRSm31 bits can be rewritten (n = 1, 3):

All channels for which CKm3 is selected as the operation clock (CKSmn1, CKSmn0 = 1, 1) are stopped (TEmn = 0).

The TPSm register can be set by a 16-bit memory manipulation instruction.

Reset signal generation clears this register to 0000H.

Figure 6-11. Format of Timer Clock Select register m (TPSm) (1/2)

Address: F01B6H, F01B7H After reset: 0000H R/W

Symbol	15	14	13	12	11	10	9	8	7	6	5	4	3	2	1	0
TPSm	0	0	PRS m31	PRS m30	0	0	PRS m21	PRS m20	PRS m13	PRS m12	PRS m11	PRS m10	PRS m03	PRS m02	PRS m01	PRS m00

PRS mk3	PRS mk2	PRS mk1	PRS mk0	Selection of operation clock (CKmk) ^{Note} (k = 0, 1)	Selection of operation clock (CKmk) ^{Note} (k = 0, 1)				
					f _{CLK} = 2 MHz	f _{CLK} = 5 MHz	f _{CLK} = 10 MHz	f _{CLK} = 20 MHz	f _{CLK} = 24 MHz
0	0	0	0	f _{CLK}	2 MHz	5 MHz	10 MHz	20 MHz	24 MHz
0	0	0	1	f _{CLK} /2	1 MHz	2.5 MHz	5 MHz	10 MHz	12 MHz
0	0	1	0	f _{CLK} /2 ²	500 kHz	1.25 MHz	2.5 MHz	5 MHz	6 MHz
0	0	1	1	f _{CLK} /2 ³	250 kHz	625 kHz	1.25 MHz	2.5 MHz	3 MHz
0	1	0	0	f _{CLK} /2 ⁴	125 kHz	312.5 kHz	625 kHz	1.25 MHz	1.5 MHz
0	1	0	1	f _{CLK} /2 ⁵	62.5 kHz	156.2 kHz	312.5 kHz	625 kHz	750 kHz
0	1	1	0	f _{CLK} /2 ⁶	31.25 kHz	78.1 kHz	156.2 kHz	312.5 kHz	375 kHz
0	1	1	1	f _{CLK} /2 ⁷	15.62 kHz	39.1 kHz	78.1 kHz	156.2 kHz	187.5 kHz
1	0	0	0	f _{CLK} /2 ⁸	7.81 kHz	19.5 kHz	39.1 kHz	78.1 kHz	93.8 kHz
1	0	0	1	f _{CLK} /2 ⁹	3.91 kHz	9.76 kHz	19.5 kHz	39.1 kHz	46.9 kHz
1	0	1	0	f _{CLK} /2 ¹⁰	1.95 kHz	4.88 kHz	9.76 kHz	19.5 kHz	23.4 kHz
1	0	1	1	f _{CLK} /2 ¹¹	976 Hz	2.44 kHz	4.88 kHz	9.76 kHz	11.7 kHz
1	1	0	0	f _{CLK} /2 ¹²	488 Hz	1.22 kHz	2.44 kHz	4.88 kHz	5.86 kHz
1	1	0	1	f _{CLK} /2 ¹³	244 Hz	610 Hz	1.22 kHz	2.44 kHz	2.93 kHz
1	1	1	0	f _{CLK} /2 ¹⁴	122 Hz	305 Hz	610 Hz	1.22 kHz	1.46 kHz
1	1	1	1	f _{CLK} /2 ¹⁵	61 Hz	153 Hz	305 Hz	610 Hz	732 Hz

Note When changing the clock selected for f_{CLK} (by changing the system clock control register (CKC) value), stop timer array unit (TTm = 00FFH).

- Cautions**
1. Be sure to clear bits 15, 14, 11, 10 to “0”.
 2. If f_{CLK} (undivided) is selected as the operation clock (CKmk) and TDRnm is set to 0000H (n = 0 or 1, m = 0 to 7), interrupt requests output from timer array units are not detected.

- Remarks**
1. f_{CLK}: CPU/peripheral hardware clock frequency
 2. Waveform of the clock to be selected in the TPSm register which becomes high level for one period of f_{CLK} from its rising edge (m = 1 to 15). For details, see 6.5.1 Count clock (f_{rCLK}).

Figure 6-11. Format of Timer Clock Select register m (TPSm) (2/2)

Address: F01B6H, F01B7H After reset: 0000H R/W

Symbol	15	14	13	12	11	10	9	8	7	6	5	4	3	2	1	0
TPSm	0	0	PRS m31	PRS m30	0	0	PRS m21	PRS m20	PRS m13	PRS m12	PRS m11	PRS m10	PRS m03	PRS m02	PRS m01	PRS m00

PRS m21	PRS m20	Selection of operation clock (CKm2) ^{Note}					
		$f_{CLK} = 2 \text{ MHz}$	$f_{CLK} = 5 \text{ MHz}$	$f_{CLK} = 10 \text{ MHz}$	$f_{CLK} = 20 \text{ MHz}$	$f_{CLK} = 24 \text{ MHz}$	
0	0	$f_{CLK}/2$	1 MHz	2.5 MHz	5 MHz	10 MHz	12 MHz
0	1	$f_{CLK}/2^2$	500 kHz	1.25 MHz	2.5 MHz	5 MHz	6 MHz
1	0	$f_{CLK}/2^4$	125 kHz	312.5 kHz	625 MHz	1.25 MHz	1.5 MHz
1	1	$f_{CLK}/2^6$	31.25 kHz	78.1 kHz	156.2 kHz	312.5 kHz	375 MHz

PRS m31	PRS m30	Selection of operation clock (CKm3) ^{Note}					
		$f_{CLK} = 2 \text{ MHz}$	$f_{CLK} = 5 \text{ MHz}$	$f_{CLK} = 10 \text{ MHz}$	$f_{CLK} = 20 \text{ MHz}$	$f_{CLK} = 24 \text{ MHz}$	
0	0	$f_{CLK}/2^8$	7.81 kHz	19.5 kHz	39.1 kHz	78.1 kHz	93.8 kHz
0	1	$f_{CLK}/2^{10}$	1.95 kHz	4.88 kHz	9.76 kHz	19.5 kHz	23.4 kHz
1	0	$f_{CLK}/2^{12}$	488 Hz	1.22 kHz	2.44 kHz	4.88 kHz	5.86 kHz
1	1	$f_{CLK}/2^{14}$	122 Hz	305 Hz	610 Hz	1.22 kHz	1.46 kHz

Note When changing the clock selected for f_{CLK} (by changing the system clock control register (CKC) value), stop timer array unit (TTm = 00FFH).

The timer array unit must also be stopped if the operating clock (f_{MCK}) specified by using the CKSmn0, and CKSmn1 bits or the valid edge of the signal input from the TImn pin is selected as the count clock (f_{TCLK}).

Caution Be sure to clear bits 15, 14, 11, 10 to “0”.

By using channels 1 and 3 in the 8-bit timer mode and specifying CKm2 or CKm3 as the operation clock, the interval times shown in Table 6-4 can be achieved by using the interval timer function.

Table 6-4. Interval Times Available for Operation Clock CKSm2 or CKSm3

Clock		Interval time ($f_{CLK} = 24 \text{ MHz}$)			
		10 μs ^{Note}	100 μs ^{Note}	1 ms ^{Note}	10 ms ^{Note}
CKm2	$f_{CLK}/2$	√	–	–	–
	$f_{CLK}/2^2$	√	–	–	–
	$f_{CLK}/2^4$	√	√	–	–
	$f_{CLK}/2^6$	√	√	–	–
CKm3	$f_{CLK}/2^8$	–	√	√	–
	$f_{CLK}/2^{10}$	–	√	√	–
	$f_{CLK}/2^{12}$	–	–	√	√
	$f_{CLK}/2^{14}$	–	–	√	√

Note The margin is within 5 %.

- Remarks**
1. f_{CLK} : CPU/peripheral hardware clock frequency
 2. For details of a signal of $f_{CLK}/2^i$ selected with the TPSm register, see 6.5.1 Count clock (f_{TCLK}).

6.3.3 Timer mode register mn (TMRmn)

The TMRmn register sets an operation mode of channel n. This register is used to select the operation clock (f_{MCK}), select the count clock, select the master/slave, select the 16 or 8-bit timer (only for channels 1 and 3), specify the start trigger and capture trigger, select the valid edge of the timer input, and specify the operation mode (interval, capture, event counter, one-count, or capture and one-count).

Rewriting the TMRmn register is prohibited when the register is in operation (when $TE_{mn} = 1$). However, bits 7 and 6 (CIS_{mn1} , CIS_{mn0}) can be rewritten even while the register is operating with some functions (when $TE_{mn} = 1$) (for details, see **6.8 Independent Channel Operation Function of Timer Array Unit** and **6.9 Simultaneous Channel Operation Function of Timer Array Unit**).

The TMRmn register can be set by a 16-bit memory manipulation instruction.

Reset signal generation clears this register to 0000H.

Caution The bits mounted depend on the channels in the bit 11 of TMRmn register.

TMRm2, TMRm4, TMRm6: MASTERmn bit (n = 2, 4, 6)

TMRm1, TMRm3: SPLITmn bit (n = 1, 3)

TMRm0, TMRm5, TMRm7: Fixed to 0

Figure 6-12. Format of Timer Mode Register mn (TMRmn) (1/4)

Address: F0190H, F0191H (TMR00) to F019EH, F019FH (TMR07) After reset: 0000H R/W

Symbol	15	14	13	12	11	10	9	8	7	6	5	4	3	2	1	0
TMRmn (n = 2, 4, 6)	CKS mn1	CKS mn0	0	CCS mn	MAST ERmn	STS mn2	STS mn1	STS mn0	CIS mn1	CIS mn0	0	0	MD mn3	MD mn2	MD mn1	MD mn0

Symbol	15	14	13	12	11	10	9	8	7	6	5	4	3	2	1	0
TMRmn (n = 1, 3)	CKS mn1	CKS mn0	0	CCS mn	SPLIT mn	STS mn2	STS mn1	STS mn0	CIS mn1	CIS mn0	0	0	MD mn3	MD mn2	MD mn1	MD mn0

Symbol	15	14	13	12	11	10	9	8	7	6	5	4	3	2	1	0
TMRmn (n = 0, 5, 7)	CKS mn1	CKS mn0	0	CCS mn	0 ^{Note}	STS mn2	STS mn1	STS mn0	CIS mn1	CIS mn0	0	0	MD mn3	MD mn2	MD mn1	MD mn0

CKS mn1	CKS mn0	Selection of operation clock (f_{MCK}) of channel n
0	0	Operation clock CKm0 set by timer clock select register m (TPSm)
0	1	Operation clock CKm2 set by timer clock select register m (TPSm)
1	0	Operation clock CKm1 set by timer clock select register m (TPSm)
1	1	Operation clock CKm3 set by timer clock select register m (TPSm)
Operation clock (f_{MCK}) is used by the edge detector. A count clock (f_{CLK}) and a sampling clock are generated depending on the setting of the CCSmn bit.		
The operation clocks CKm2 and CKm3 can only be selected for channels 1 and 3.		

CCS mn	Selection of count clock (f_{CLK}) of channel n
0	Operation clock (f_{MCK}) specified by the CKSmn0 and CKSmn1 bits
1	Valid edge of input signal input from the TImn pin In channel 5, Valid edge of input signal selected by TIS0
Count clock (f_{CLK}) is used for the timer/counter, output controller, and interrupt controller.	

Note Bit 11 is fixed at 0 of read only, write is ignored.

- Cautions**
1. Be sure to clear bits 13, 5, and 4 to “0”.
 2. The timer array unit must be stopped (TTm = 00FFH) if the clock selected for f_{CLK} is changed (by changing the value of the system clock control register (CKC)), even if the operating clock specified by using the CKSmn0 and CKSmn1 bits (f_{MCK}) or the valid edge of the signal input from the TImn pin is selected as the count clock (f_{CLK}).

Remark m: Unit number (m = 0), n: Channel number (n = 0 to 7)

Figure 6-12. Format of Timer Mode Register mn (TMRmn) (2/4)

Address: F0190H, F0191H (TMR00) to F019EH, F019FH (TMR07) After reset: 0000H R/W

Symbol	15	14	13	12	11	10	9	8	7	6	5	4	3	2	1	0
TMRmn (n = 2, 4, 6)	CKS mn1	CKS mn0	0	CCS mn	MAST ERmn	STS mn2	STS mn1	STS mn0	CIS mn1	CIS mn0	0	0	MD mn3	MD mn2	MD mn1	MD mn0

Symbol	15	14	13	12	11	10	9	8	7	6	5	4	3	2	1	0
TMRmn (n = 1, 3)	CKS mn1	CKS mn0	0	CCS mn	SPLIT mn	STS mn2	STS mn1	STS mn0	CIS mn1	CIS mn0	0	0	MD mn3	MD mn2	MD mn1	MD mn0

Symbol	15	14	13	12	11	10	9	8	7	6	5	4	3	2	1	0
TMRmn (n = 0, 5, 7)	CKS mn1	CKS mn0	0	CCS mn	0 ^{Note}	STS mn2	STS mn1	STS mn0	CIS mn1	CIS mn0	0	0	MD mn3	MD mn2	MD mn1	MD mn0

(Bit 11 of TMRmn (n = 2, 4, 6))

MAS TER mn	Selection between using channel n independently or simultaneously with another channel(as a slave or master)
0	Operates in independent channel operation function or as slave channel in simultaneous channel operation function.
1	Operates as master channel in simultaneous channel operation function.
Only the channel 2, 4, 6 can be set as a master channel (MASTERmn = 1). Be sure to use channel 0, 5, 7 are fixed to 0 (Regardless of the bit setting, channel 0 operates as master, because it is the highest channel). Clear the MASTERmn bit to 0 for a channel that is used with the independent channel operation function.	

(Bit 11 of TMRmn (n = 1, 3))

SPLI Tmn	Selection of 8 or 16-bit timer operation for channels 1 and 3
0	Operates as 16-bit timer. (Operates in independent channel operation function or as slave channel in simultaneous channel operation function.)
1	Operates as 8-bit timer.

STS mn2	STS mn1	STS mn0	Setting of start trigger or capture trigger of channel n
0	0	0	Only software trigger start is valid (other trigger sources are unselected).
0	0	1	Valid edge of the TImn pin input is used as both the start trigger and capture trigger.
0	1	0	Both the edges of the TImn pin input are used as a start trigger and a capture trigger.
1	0	0	Interrupt signal of the master channel is used (when the channel is used as a slave channel with the simultaneous channel operation function).
Other than above			Setting prohibited

Note Bit 11 is fixed at 0 of read only, write is ignored.

Remark m: Unit number (m = 0), n: Channel number (n = 0 to 7)

Figure 6-12. Format of Timer Mode Register mn (TMRmn) (3/4)

Address: F0190H, F0191H (TMR00) to F019EH, F019FH (TMR07) After reset: 0000H R/W

Symbol	15	14	13	12	11	10	9	8	7	6	5	4	3	2	1	0
TMRmn (n = 2, 4, 6)	CKS mn1	CKS mn0	0	CCS mn	MAST ERmn	STS mn2	STS mn1	STS mn0	CIS mn1	CIS mn0	0	0	MD mn3	MD mn2	MD mn1	MD mn0

Symbol	15	14	13	12	11	10	9	8	7	6	5	4	3	2	1	0
TMRmn (n = 1, 3)	CKS mn1	CKS mn0	0	CCS mn	SPLIT mn	STS mn2	STS mn1	STS mn0	CIS mn1	CIS mn0	0	0	MD mn3	MD mn2	MD mn1	MD mn0

Symbol	15	14	13	12	11	10	9	8	7	6	5	4	3	2	1	0
TMRmn (n = 0, 5, 7)	CKS mn1	CKS mn0	0	CCS mn	0 ^{Note}	STS mn2	STS mn1	STS mn0	CIS mn1	CIS mn0	0	0	MD mn3	MD mn2	MD mn1	MD mn0

CIS mn1	CIS mn0	Selection of TImn pin input valid edge
0	0	Falling edge
0	1	Rising edge
1	0	Both edges (when low-level width is measured) Start trigger: Falling edge, Capture trigger: Rising edge
1	1	Both edges (when high-level width is measured) Start trigger: Rising edge, Capture trigger: Falling edge
If both the edges are specified when the value of the STSmn2 to STSmn0 bits is other than 010B, set the CISmn1 to CISmn0 bits to 10B.		

MD mn3	MD mn2	MD mn1	MD mn0	Operation mode of channel n	Corresponding function	Count operation of TCR
0	0	0	1/0	Interval timer mode	Interval timer / Square wave output / Divider function / PWM output (master)	Counting down
0	1	0	1/0	Capture mode	Input pulse interval measurement	Counting up
0	1	1	0	Event counter mode	External event counter	Counting down
1	0	0	1/0	One-count mode	Delay counter / One-shot pulse output / PWM output (slave)	Counting down
1	1	0	0	Capture & one-count mode	Measurement of high-/low-level width of input signal	Counting up
Other than above				Setting prohibited		
The operation of the MDmn0 bit varies depending on each operation mode (see table in the next page).						

Note Bit 11 is fixed at 0 of read only, write is ignored.

Remark m: Unit number (m = 0), n: Channel number (n = 0 to 7)

Figure 6-12. Format of Timer Mode Register mn (TMRmn) (4/4)

Address: F0190H, F0191H (TMR00) to F019EH, F019FH (TMR07) After reset: 0000H R/W

Symbol	15	14	13	12	11	10	9	8	7	6	5	4	3	2	1	0
TMRmn (n = 2, 4, 6)	CKS mn1	CKS mn0	0	CCS mn	MAST ERmn	STS mn2	STS mn1	STS mn0	CIS mn1	CIS mn0	0	0	MD mn3	MD mn2	MD mn1	MD mn0

Symbol	15	14	13	12	11	10	9	8	7	6	5	4	3	2	1	0
TMRmn (n = 1, 3)	CKS mn1	CKS mn0	0	CCS mn	SPLIT mn	STS mn2	STS mn1	STS mn0	CIS mn1	CIS mn0	0	0	MD mn3	MD mn2	MD mn1	MD mn0

Symbol	15	14	13	12	11	10	9	8	7	6	5	4	3	2	1	0
TMRmn (n = 0, 5, 7)	CKS mn1	CKS mn0	0	CCS mn	0 ^{Note 1}	STS mn2	STS mn1	STS mn0	CIS mn1	CIS mn0	0	0	MD mn3	MD mn2	MD mn1	MD mn0

Operation mode (Value set by the MDmn3 to MDmn1 bits (see table in the previous page))	MD mn0	Setting of starting counting and interrupt
<ul style="list-style-type: none"> Interval timer mode (0, 0, 0) Capture mode (0, 1, 0) 	0	Timer interrupt is not generated when counting is started (timer output does not change, either).
	1	Timer interrupt is generated when counting is started (timer output also changes).
<ul style="list-style-type: none"> Event counter mode (0, 1, 1) 	0	Timer interrupt is not generated when counting is started (timer output does not change, either).
<ul style="list-style-type: none"> One-count mode^{Note 2} (1, 0, 0) 	0	Start trigger is invalid during counting operation. At that time, interrupt is not generated.
	1	Start trigger is valid during counting operation ^{Note 3} . At that time, interrupt is not generated.
<ul style="list-style-type: none"> Capture & one-count mode (1, 1, 0) 	0	Timer interrupt is not generated when counting is started (timer output does not change, either). Start trigger is invalid during counting operation. At that time interrupt is not generated.
Other than above		Setting prohibited

- Notes**
1. Bit 11 is fixed at 0 of read only, write is ignored.
 2. In one-count mode, interrupt output (INTTmn) when starting a count operation and TOMn output are not controlled.
 3. If the start trigger (TSmn = 1) is issued during operation, the counter is initialized, an interrupt is generated, and recounting is started (does not occur the interrupt request).

Remark m: Unit number (m = 0), n: Channel number (n = 0 to 7)

6.3.4 Timer status register mn (TSRmn)

The TSRmn register indicates the overflow status of the counter of channel n.

The TSRmn register is valid only in the capture mode (MDmn3 to MDmn1 = 010B) and capture & one-count mode (MDmn3 to MDmn1 = 110B). See **Table 6-5** for the operation of the OVF bit in each operation mode and set/clear conditions.

The TSRmn register can be read by a 16-bit memory manipulation instruction.

The lower 8 bits of the TSRmn register can be set with an 8-bit memory manipulation instruction with TSRmnL.

Reset signal generation clears this register to 0000H.

Figure 6-13. Format of Timer Status Register mn (TSRmn)

Address: F01A0H, F01A1H (TSR00) to F01AEH, F01AFH (TSR07) After reset: 0000H R

Symbol	15	14	13	12	11	10	9	8	7	6	5	4	3	2	1	0
TSRmn	0	0	0	0	0	0	0	0	0	0	0	0	0	0	0	OVF

OVF	Counter overflow status of channel n
0	Overflow does not occur.
1	Overflow occurs.
When OVF = 1, this flag is cleared (OVF = 0) when the next value is captured without overflow.	

Remark m: Unit number (m = 0), n: Channel number (n = 0 to 7)

Table 6-5. OVF Bit Operation and Set/Clear Conditions in Each Operation Mode

Timer operation mode	OVF bit	Set/clear conditions
• Capture mode	clear	When no overflow has occurred upon capturing
• Capture & one-count mode	set	When an overflow has occurred upon capturing
• Interval timer mode	clear	– (Use prohibited)
• Event counter mode	set	
• One-count mode		

Remark The OVF bit does not change immediately after the counter has overflowed, but changes upon the subsequent capture.

6.3.5 Timer channel enable status register m (TE_m)

The TE_m register is used to enable or stop the timer operation of each channel.

Each bit of the TE_m register corresponds to each bit of the timer channel start register m (T_{Sm}) and the timer channel stop register m (T_{Tm}). When a bit of the T_{Sm} register is set to 1, the corresponding bit of this register is set to 1. When a bit of the T_{Tm} register is set to 1, the corresponding bit of this register is cleared to 0.

The TE_m register can be read by a 16-bit memory manipulation instruction.

The lower 8 bits of the TE_m register can be set with a 1-bit or 8-bit memory manipulation instruction with TE_{mL}.

Reset signal generation clears this register to 0000H.

Figure 6-14. Format of Timer Channel Enable Status register m (TE_m)

Address: F01B0H, F01B1H After reset: 0000H R

Symbol	15	14	13	12	11	10	9	8	7	6	5	4	3	2	1	0
TE _m	0	0	0	0	TEH _m 3	0	TEH _m 1	0	TE _m 7	TE _m 6	TE _m 5	TE _m 4	TE _m 3	TE _m 2	TE _m 1	TE _m 0

TEH 03	Indication of whether operation of the higher 8-bit timer is enabled or stopped when channel 3 is in the 8-bit timer mode
0	Operation is stopped.
1	Operation is enabled.

TEH 01	Indication of whether operation of the higher 8-bit timer is enabled or stopped when channel 1 is in the 8-bit timer mode
0	Operation is stopped.
1	Operation is enabled.

TE _m _n	Indication of operation enable/stop status of channel n
0	Operation is stopped.
1	Operation is enabled.
This bit displays whether operation of the lower 8-bit timer for TE _m 1 and TE _m 3 is enabled or stopped when channel 1 or 3 is in the 8-bit timer mode.	

Remark m: Unit number (m = 0), n: Channel number (n = 0 to 7)

6.3.6 Timer channel start register m (T_{Sm})

The T_{Sm} register is a trigger register that is used to initialize timer count register m_n (TCR_{m_n}) and start the counting operation of each channel.

When a bit of this register is set to 1, the corresponding bit of timer channel enable status register m (TE_m) is set to 1. The T_{Sm_n}, TSH_{m1}, TSH_{m3} bits are immediately cleared when operation is enabled (TE_{m_n}, TEH_{m1}, TEH_{m3} = 1), because they are trigger bits.

The T_{Sm} register can be set by a 16-bit memory manipulation instruction.

The lower 8 bits of the T_{Sm} register can be set with a 1-bit or 8-bit memory manipulation instruction with T_{SmL}.

Reset signal generation clears this register to 0000H.

Figure 6-15. Format of Timer Channel Start register m (T_{Sm})

Address: F01B2H, F01B3H After reset: 0000H R/W

Symbol	15	14	13	12	11	10	9	8	7	6	5	4	3	2	1	0
T _{Sm}	0	0	0	0	TSH _{m3}	0	TSH _{m1}	0	T _{Sm7}	T _{Sm6}	T _{Sm5}	T _{Sm4}	T _{Sm3}	T _{Sm2}	T _{Sm1}	T _{Sm0}

TSH _{m3}	Trigger to enable operation (start operation) of the higher 8-bit timer when channel 3 is in the 8-bit timer mode
0	No trigger operation
1	The TEH _{m3} bit is set to 1 and the count operation becomes enabled. The TCR _{m3} register count operation start in the interval timer mode in the count operation enabled state (see Table 6-6 in 6.5.2 Start timing of counter).

TSH _{m1}	Trigger to enable operation (start operation) of the higher 8-bit timer when channel 1 is in the 8-bit timer mode
0	No trigger operation
1	The TEH _{m1} bit is set to 1 and the count operation becomes enabled. The TCR _{m1} register count operation start in the interval timer mode in the count operation enabled state (see Table 6-6 in 6.5.2 Start timing of counter).

T _{Sm_n}	Operation enable (start) trigger of channel n
0	No trigger operation
1	The TE _{m_n} bit is set to 1 and the count operation becomes enabled. The TCR _{m_n} register count operation start in the count operation enabled state varies depending on each operation mode (see Table 6-6 in 6.5.2 Start timing of counter). This bit is the trigger to enable operation (start operation) of the lower 8-bit timer for T _{Sm1} and T _{Sm3} when channel 1 or 3 is in the 8-bit timer mode.

- Cautions**
1. Be sure to clear bits 15 to 12, 10, 8 to “0”
 2. When switching from a function that does not use T_{Im_n} pin input to one that does, the following wait period is required from when timer mode register m_n (TMR_{m_n}) is set until the T_{Sm_n} (TSH_{m1}, TSH_{m3}) bit is set to 1.
 When the T_{Im_n} pin noise filter is enabled (TNFEN_{m_n} = 1): Four cycles of the operation clock (f_{MCK})
 When the T_{Im_n} pin noise filter is disabled (TNFEN_{m_n} = 0): Two cycles of the operation clock (f_{MCK})

- Remarks**
1. When the T_{Sm} register is read, 0 is always read.
 2. m: Unit number (m = 0), n: Channel number (n = 0 to 7)

6.3.7 Timer channel stop register m (TTm)

The TTm register is a trigger register that is used to stop the counting operation of each channel.

When a bit of this register is set to 1, the corresponding bit of timer channel enable status register m (TEm) is cleared to 0. The TTmn, TTHm1, TTHm3 bits are immediately cleared when operation is stopped (TEmn, TTHm1, TTHm3 = 0), because they are trigger bits.

The TTm register can be set by a 16-bit memory manipulation instruction.

The lower 8 bits of the TTm register can be set with a 1-bit or 8-bit memory manipulation instruction with TTmL.

Reset signal generation clears this register to 0000H.

Figure 6-16. Format of Timer Channel Stop register m (TTm)

Address: F01B4H, F01B5H After reset: 0000H R/W

Symbol	15	14	13	12	11	10	9	8	7	6	5	4	3	2	1	0
TTm	0	0	0	0	TTHm 3	0	TTHm 1	0	TTm 7	TTm 6	TTm 5	TTm 4	TTm 3	TTm 2	TTm 1	TTm 0

TTHm3	Trigger to stop operation of the higher 8-bit timer when channel 3 is in the 8-bit timer mode
0	No trigger operation
1	Operation is stopped (stop trigger is generated).

TTHm1	Trigger to stop operation of the higher 8-bit timer when channel 1 is in the 8-bit timer mode
0	No trigger operation
1	Operation is stopped (stop trigger is generated).

TTm n	Operation stop trigger of channel n
0	No trigger operation
1	TEmn bit clear to 0, to be count operation stop enable status. This bit is the trigger to stop operation of the lower 8-bit timer for TTm1 and TTm3 when channel 1 or 3 is in the 8-bit timer mode.

Caution Be sure to clear bits 15 to 12, 10, 8 of the TTm register to “0”.

Remarks 1. When the TTm register is read, 0 is always read.
2. m: Unit number (m = 0), n: Channel number (n = 0 to 7)

6.3.8 Timer input select register 0 (TIS0)

The TIS0 register is used to select the channel 1 timer input.
 The TIS0 register can be set by an 8-bit memory manipulation instruction.
 Reset signal generation clears this register to 00H.

Figure 6-17. Format of Timer Input Select register 0 (TIS0)

Address: F0074H After reset: 00H R/W

Symbol	7	6	5	4	3	2	1	0
TIS0	0	0	0	0	0	TIS02	TIS01	TIS00

TIS02	TIS01	TIS00	Selection of timer input used with channel 1
0	0	0	Input signal of timer input pin (TI01)
1	0	0	Low-speed on-chip oscillator clock (f _{IL})
1	0	1	Subsystem clock (f _{SUB})
Other than above			Setting prohibited

Caution High-level width, low-level width of timer input is selected, will require more than 1/f_{MCK} +10 ns.
 Therefore, when selecting f_{SUB} to f_{CLK} (CSS bit of CKS register = 1), can not TIS02 bit set to 1.

6.3.9 Timer output select register (TOS)

The TOS register is used to enable the remote control output function.
 Remote control output are generated by using the PWM output signal generated by channels 2 and 3 (mask wave) to mask the PWM output signal generated by channels 6 and 7 (carrier wave).
 Rewriting the TOS register is only possible before counting starts (TE02, TE03, TE06, TE07 = 0).
 The TOS register can be set by a 1-bit or 8-bit memory manipulation instruction.
 Reset signal generation clears this register to 00H.

Figure 6-18. Format of Timer Output Select register (TOS)

Address: F0079H After reset: 00H R/W

Symbol	7	6	5	4	3	2	1	0
TOS	0	0	0	0	0	0	0	TOS0

TOS0	Remote control output setting
0	Disable (channels 2, 3, 6, and 7 is used for timer output)
1	Enable (remote control output to the TO03 pin)

Cautions 1. Channels 2, 3, 6, and 7 cannot be used for any other function when remote control output is enabled (TOS0 = 1).
 2. Do not set the TOS0 bit to 1 in 32-pin products.

6.3.10 Timer output enable register m (TOEm)

The TOEm register is used to enable or disable timer output of each channel.

Channel n for which timer output has been enabled becomes unable to rewrite the value of the TOmn bit of timer output register m (TOm) described later by software, and the value reflecting the setting of the timer output function through the count operation is output from the timer output pin (TOmn).

The TOEm register can be set by a 16-bit memory manipulation instruction.

The lower 8 bits of the TOEm register can be set with a 1-bit or 8-bit memory manipulation instruction with TOEmL. Reset signal generation clears this register to 0000H.

Figure 6-19. Format of Timer Output Enable register m (TOEm)

Address: F01BAH, F01BBH After reset: 0000H R/W

Symbol	15	14	13	12	11	10	9	8	7	6	5	4	3	2	1	0
TOEm	0	0	0	0	0	0	0	0	TOE m7	TOE m6	TOE m5	TOE m4	TOE m3	TOE m2	TOE m1	TOE m0

TOE mn	Timer output enable/disable of channel n
0	Disable output of timer. Without reflecting on TOmn bit timer operation, to fixed the output. Writing to the TOmn bit is enabled and the level set in the TOmn bit is output from the TOmn pin.
1	Enable output of timer. Reflected in the TOmn bit timer operation, to generate the output waveform. Writing to the TOmn bit is disabled (writing is ignored).

<R>

Caution Be sure to clear bits 15 to 8 to “0”.

Remark m: Unit number (m = 0), n: Channel number (n = 0 to 7)

6.3.11 Timer output register m (TOM)

The TOM register is a buffer register of timer output of each channel.

The value of each bit in this register is output from the timer output pin (TOMn) of each channel.

The TOMn bit of this register can be rewritten by software only when timer output is disabled (TOEmn = 0). When timer output is enabled (TOEmn = 1), rewriting this register by software is ignored, and the value is changed only by the timer operation.

To use the P140/TO00, P30/TI01/TO01, P17/TI02/TO02, P32/TI03/TO03, P41/TI04/TO04, P42/TI05/TO05, P51/TI06/TO06, or P53/TI07/TO07 pin as a port function pin, set the corresponding TOMn bit to "0".

The TOM register can be set by a 16-bit memory manipulation instruction.

The lower 8 bits of the TOM register can be set with an 8-bit memory manipulation instruction with TOML.

Reset signal generation clears this register to 0000H.

Figure 6-20. Format of Timer Output register m (TOM)

Address: F01B8H, F01B9H After reset: 0000H R/W

Symbol	15	14	13	12	11	10	9	8	7	6	5	4	3	2	1	0
TOM	0	0	0	0	0	0	0	0	TOM 7	TOM 6	TOM 5	TOM 4	TOM 3	TOM 2	TOM 1	TOM 0

TOM n	Timer output of channel n
0	Timer output value is "0".
1	Timer output value is "1".

Caution Be sure to clear bits 15 to 8 to "0".

Remark m: Unit number (m = 0), n: Channel number (n = 0 to 7)

6.3.12 Timer output level register m (TOLm)

The TOLm register is a register that controls the timer output level of each channel.

The setting of the inverted output of channel n by this register is reflected at the timing of set or reset of the timer output signal while the timer output is enabled (TOEmn = 1) in the Slave channel output mode (TOMmn = 1). In the master channel output mode (TOMmn = 0), this register setting is invalid.

The TOLm register can be set by a 16-bit memory manipulation instruction.

The lower 8 bits of the TOLm register can be set with an 8-bit memory manipulation instruction with TOLmL.

Reset signal generation clears this register to 0000H.

Figure 6-21. Format of Timer Output Level register m (TOLm)

Address: F01BCH, F01BDH After reset: 0000H R/W

Symbol	15	14	13	12	11	10	9	8	7	6	5	4	3	2	1	0
TOLm	0	0	0	0	0	0	0	0	TOL m7	TOL m6	TOL m5	TOL m4	TOL m3	TOL m2	TOL m1	0

TOL mn	Control of timer output level of channel n														
0	Positive logic output (active-high)														
1	Negative logic output (active-low)														

Caution Be sure to clear bits 15 to 8, and 0 to “0”.

- Remarks**
1. If the value of this register is rewritten during timer operation, the timer output logic is inverted when the timer output signal changes next, instead of immediately after the register value is rewritten.
 2. m: Unit number (m = 0), n: Channel number (n = 0 to 7)

6.3.13 Timer output mode register m (TOMm)

The TOMm register is used to control the timer output mode of each channel.

When a channel is used for the independent channel operation function, set the corresponding bit of the channel to be used to 0.

When a channel is used for the simultaneous channel operation function (PWM output, one-shot pulse output, or multiple PWM output), set the corresponding bit of the master channel to 0 and the corresponding bit of the slave channel to 1.

The setting of each channel n by this register is reflected at the timing when the timer output signal is set or reset while the timer output is enabled (TOEmn = 1).

The TOMm register can be set by a 16-bit memory manipulation instruction.

The lower 8 bits of the TOMm register can be set with an 8-bit memory manipulation instruction with TOMmL.

Reset signal generation clears this register to 0000H.

Figure 6-22. Format of Timer Output Mode register m (TOMm)

Address: F01BEH, F01BFH After reset: 0000H R/W

Symbol	15	14	13	12	11	10	9	8	7	6	5	4	3	2	1	0
TOMm	0	0	0	0	0	0	0	0	TOM m7	TOM m6	TOM m5	TOM m4	TOM m3	TOM m2	TOM m1	0

TOM mn	Control of timer output mode of channel n
0	Master channel output mode (to produce toggle output by timer interrupt request signal (INTTMmn))
1	Slave channel output mode (output is set by the timer interrupt request signal (INTTMmn) of the master channel, and reset by the timer interrupt request signal (INTTM0p) of the slave channel)

Caution Be sure to clear bits 15 to 8, and 0 to “0”.

Remark m: Unit number (m = 0)
 n: Channel number
 n = 0 to 7 (n = 0, 2, 4, 6 for master channel)
 p: Slave channel number
 n < p ≤ 7
 (For details of the relation between the master channel and slave channel, refer to **6.4.1 Basic rules of simultaneous channel operation function.**)

6.3.14 Input switch control register (ISC)

The ISC1 and ISC0 bits of the ISC register are used to implement LIN-bus communication operation by using channel 5 in association with the serial array unit. When the ISC1 bit is set to 1, the input signal of the serial data input pin (RxD0) is selected as a timer input signal.

The ISC register can be set by a 1-bit or 8-bit memory manipulation instruction.

Reset signal generation clears this register to 00H.

Figure 6-23. Format of Input Switch Control Register (ISC)

Address: F0073H After reset: 00H R/W

Symbol	7	6	5	4	3	2	1	0
ISC	0	0	0	0	0	0	ISC1	ISC0

ISC1	Switching channel 5 input of timer array unit
0	52 and 64-pin products: Uses the input signal of the TI05 pin as a timer input (normal operation). 32, 44, 48-pin products: Do not use a timer input signal for channel 5.
1	Input signal of the RxD0 pin is used as timer input (detects the wakeup signal and measures the low width of the break field and the pulse width of the sync field).

ISC0	Switching external interrupt (INTP0) input
0	Uses the input signal of the INTP0 pin as an external interrupt (normal operation).
1	Uses the input signal of the RxD0 pin as an external interrupt (wakeup signal detection).

Caution Be sure to clear bits 7 to 2 to “0”.

Remark When the LIN-bus communication function is used, select the input signal of the RxD0 pin by setting ISC1 to 1.

6.3.15 Noise filter enable register 1 (NFEN1)

The NFEN1 register is used to set whether the noise filter can be used for the timer input signal to each channel.

Enable the noise filter by setting the corresponding bits to 1 on the pins in need of noise removal.

<R> When the noise filter is enabled, after synchronization with the operating clock (f_{MCK}) for the target channel, whether the signal keeps the same value for two clock cycles is detected.

When the noise filter is disabled, the input signal is only synchronized with the operating clock (f_{MCK}) for the target channel ^{Note}.

The NFEN1 register can be set by a 1-bit or 8-bit memory manipulation instruction.

Reset signal generation clears this register to 00H.

Note For details, see **6.5.1 (2) When valid edge of input signal input from the TImn pin is selected (CCSmn = 1)** and **6.5.2 Start timing of counter**.

Figure 6-24. Format of Noise Filter Enable Register 1 (NFEN1)

Address: F0071H After reset: 00H R/W

Symbol	7	6	5	4	3	2	1	0
NFEN1	TNFEN07	TNFEN06	TNFEN05	TNFEN04	TNFEN03	TNFEN02	TNFEN01	TNFEN00
TNFEN07	Enable/disable using noise filter of TI07/TO07/P53 pin signal							
0	Noise filter OFF							
1	Noise filter ON							
TNFEN06	Enable/disable using noise filter of TI06/TO06/P51 pin input signal							
0	Noise filter OFF							
1	Noise filter ON							
TNFEN05	Enable/disable using noise filter of TI05/TO05/P42 pin or RxD0/P11 pin input signal ^{Note}							
0	Noise filter OFF							
1	Noise filter ON							
TNFEN04	Enable/disable using noise filter of TI04/TO04/P41 pin input signal							
0	Noise filter OFF							
1	Noise filter ON							
TNFEN03	Enable/disable using noise filter of TI03/TO03/P32 pin input signal							
0	Noise filter OFF							
1	Noise filter ON							
TNFEN02	Enable/disable using noise filter of TI02/TO02/P17 pin input signal							
0	Noise filter OFF							
1	Noise filter ON							
TNFEN01	Enable/disable using noise filter of TI01/TO01/P30 pin input signal							
0	Noise filter OFF							
1	Noise filter ON							
TNFEN00	Enable/disable using noise filter of TI00/P141 pin input signal							
0	Noise filter OFF							
1	Noise filter ON							

Note The applicable pin can be switched by setting the ISC1 bit of the ISC register.

ISC1 = 0: Whether or not to use the noise filter of the TI05 pin can be selected.

ISC1 = 1: Whether or not to use the noise filter of the RxD0 pin can be selected.

Remark The presence or absence of timer I/O pins of channel 0 to 7 depends on the product. See **Table 6-2 Timer I/O Pins provided in Each Product** for details.

6.3.16 Port mode registers 1, 3 to 5, 14 (PM1, PM3 to PM5, PM14)

These registers set input/output of ports 1, 3 to 5, 14 in 1-bit units.

The presence or absence of timer I/O pins depends on the product. When using the timer array unit, set the following port mode registers according to the product used.

32, and 44-pin products: PM1, PM3, PM14
48-pin products: PM1, PM3, PM4, PM14
52, and 64-pin products: PM1, PM3 to PM5, PM14

When using the ports (such as P140/TO00 and P41/TO04/TI04) to be shared with the timer output pin for timer output, set the port mode control register (PMCxx) bit, port mode register (PMxx) bit and port register (Pxx) bit corresponding to each port to 0.

Example: When using P41/TO04/TI04 for timer output
Set the PMC41 bit of port mode control register 4 to 0.
Set the PM41 bit of port mode register 4 to 0.
Set the P41 bit of port register 4 to 0.

When using the ports (such as P141/TI00 and P41/TO04/TI04) to be shared with the timer input pin for timer input, set the port mode register (PMxx) bit corresponding to each port to 1. And set the port mode control register (PMCxx) bit corresponding to each port to 0. At this time, the port register (Pxx) bit may be 0 or 1.

Example: When using P41/TO04/TI04 for timer input
Set the PMC41 bit of port mode control register 4 to 0.
Set the PM41 bit of port mode register 4 to 1.
Set the P41 bit of port register 4 to 0 or 1.

The PM1, PM3 to PM5, PM14 registers can be set by a 1-bit or 8-bit memory manipulation instruction. Reset signal generation sets these registers to FFH.

Figure 6-25. Format of Port Mode Registers 1, 3 to 5, 14 (PM1, PM3 to PM5, PM14) (64-pin products)

Address: FFF21H After reset: FFH R/W

Symbol	7	6	5	4	3	2	1	0
PM1	PM17	PM16	PM15	PM14	PM13	PM12	PM11	PM10

Address: FFF23H After reset: FFH R/W

Symbol	7	6	5	4	3	2	1	0
PM3	1	1	1	1	1	PM32	PM31	PM30

Address: FFF24H After reset: FFH R/W

Symbol	7	6	5	4	3	2	1	0
PM4	1	1	1	1	PM43	PM42	PM41	PM40

Address: FFF25H After reset: FFH R/W

Symbol	7	6	5	4	3	2	1	0
PM5	1	1	1	PM54	PM53	PM52	PM51	PM50

Address: FFF2EH After reset: FFH R/W

Symbol	7	6	5	4	3	2	1	0
PM14	PM147	PM146	PM145	PM144	PM143	PM142	PM141	PM140

PMmn	Pmn pin I/O mode selection (m = 1, 3 to 5, 14; n = 0 to 7)
0	Output mode (output buffer on)
1	Input mode (output buffer off)

Remark The figure shown above presents the format of port mode registers 1, 3 to 5, 14 of the 64-pin products. The format of the port mode register of other products, see **Table 4-3 PMxx, Pxx, PUxx, PIMxx, POMxx, PMCxx registers and the bits mounted on each product.**

6.4 Basic Rules of Timer Array Unit

6.4.1 Basic rules of simultaneous channel operation function

When simultaneously using multiple channels, namely, a combination of a master channel (a reference timer mainly counting the cycle) and slave channels (timers operating according to the master channel), the following rules apply.

- (1) Only an even channel (channel 0, 2, 4, etc.) can be set as a master channel.
- (2) Any channel, except channel 0, can be set as a slave channel.
- (3) The slave channel must be lower than the master channel.

Example: If channel 2 is set as a master channel, channel 3 or those that follow (channels 3, 4, 5, etc.) can be set as a slave channel.

- (4) Two or more slave channels can be set for one master channel.
- (5) When two or more master channels are to be used, slave channels with a master channel between them may not be set.

Example: If channels 0 and 4 are set as master channels, channels 1 to 3 can be set as the slave channels of master channel 0. Channels 5 to 7 cannot be set as the slave channels of master channel 0.

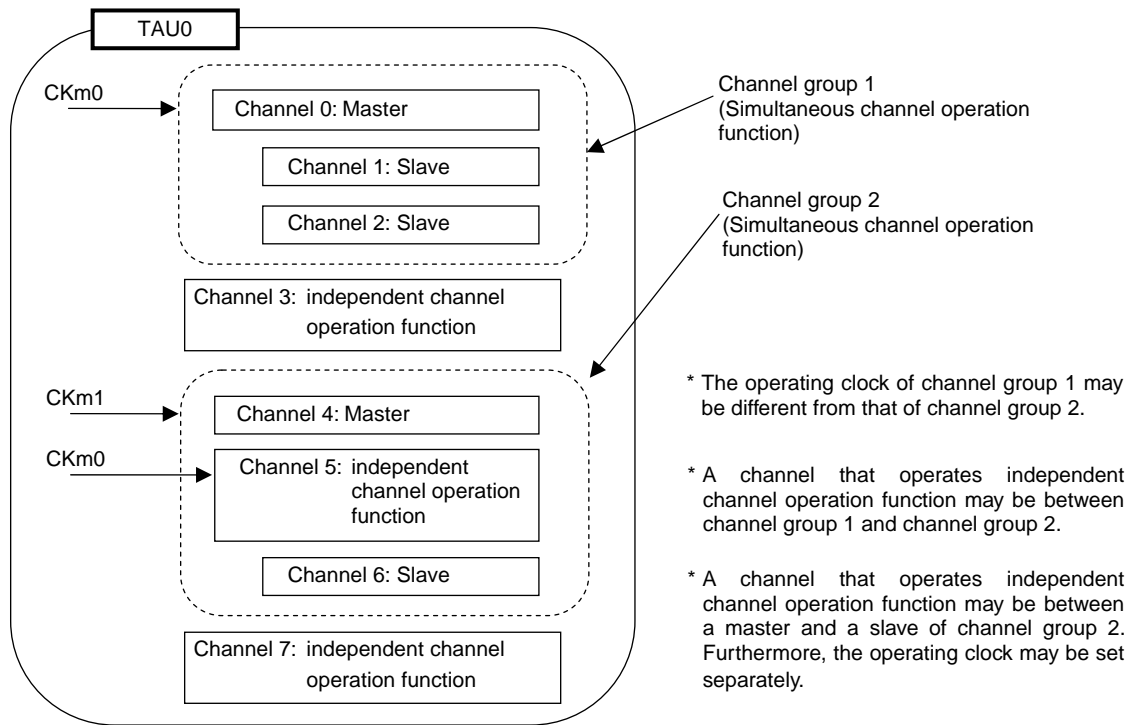
- (6) The operating clock for a slave channel in combination with a master channel must be the same as that of the master channel. The CKSmn0, CKSmn1 bits (bit 15, 14 of timer mode register mn (TMRmn)) of the slave channel that operates in combination with the master channel must be the same value as that of the master channel.
- (7) A master channel can transmit INTTMmn (interrupt), start software trigger, and count clock to the lower channels.
- (8) A slave channel can use INTTMmn (interrupt), a start software trigger, or the count clock of the master channel as a source clock, but cannot transmit its own INTTMmn (interrupt), start software trigger, or count clock to channels with lower channel numbers.
- (9) A master channel cannot use INTTMmn (interrupt), a start software trigger, or the count clock from the other higher master channel as a source clock.
- (10) To simultaneously start channels that operate in combination, the channel start trigger bit (TSmn) of the channels in combination must be set at the same time.
- (11) During the counting operation, a TSmn bit of a master channel or TSmn bits of all channels which are operating simultaneously can be set. It cannot be applied to TSmn bits of slave channels alone.
- (12) To stop the channels in combination simultaneously, the channel stop trigger bit (TTmn) of the channels in combination must be set at the same time.
- (13) CKm2/CKm3 cannot be selected while channels are operating simultaneously, because the operating clocks of master channels and slave channels have to be synchronized.
- (14) Timer mode register m0 (TMRm0) has no master bit (it is fixed as "0"). However, as channel 0 is the highest channel, it can be used as a master channel during simultaneous operation.

The rules of the simultaneous channel operation function are applied in a channel group (a master channel and slave channels forming one simultaneous channel operation function).

If two or more channel groups that do not operate in combination are specified, the basic rules of the simultaneous channel operation function in **6.4.1 Basic rules of simultaneous channel operation function** do not apply to the channel groups.

Remark m: Unit number (m = 0), n: Channel number (n = 0 to 7)

Example



6.4.2 Basic rules of 8-bit timer operation function (channels 1 and 3 only)

The 8-bit timer operation function makes it possible to use a 16-bit timer channel in a configuration consisting of two 8-bit timer channels.

This function can only be used for channels 1 and 3, and there are several rules for using it.

The basic rules for this function are as follows:

- (1) The 8-bit timer operation function applies only to channels 1 and 3.
- (2) When using 8-bit timers, set the SPLIT bit of timer mode register mn (TMRmn) to 1.
- (3) The higher 8 bits can be operated as the interval timer function.
- (4) At the start of operation, the higher 8 bits output INTTMm1H/INTTMm3H (an interrupt) (which is the same operation performed when MDmn0 is set to 1).
- (5) The operation clock of the higher 8 bits is selected according to the CKSmn1 and CKSmn0 bits of the lower-bit TMRmn register.
- (6) For the higher 8 bits, the TSHm1/TSHm3 bit is manipulated to start channel operation and the TTHm1/TTHm3 bit is manipulated to stop channel operation. The channel status can be checked using the TEHm1/TEHm3 bit.
- (7) The lower 8 bits operate according to the TMRmn register settings. The following three functions support operation of the lower 8 bits:
 - Interval timer function
 - External event counter function
 - Delay count function
- (8) For the lower 8 bits, the TSm1/TSm3 bit is manipulated to start channel operation and the TTm1/TTm3 bit is manipulated to stop channel operation. The channel status can be checked using the TEM1/TEM3 bit.
- (9) During 16-bit operation, manipulating the TSHm1, TSHm3, TTHm1, and TTHm3 bits is invalid. The TSm1, TSm3, TTm1, and TTm3 bits are manipulated to operate channels 1 and 3. The TEHm3 and TEHm1 bits are not changed.
- (10) For the 8-bit timer function, the simultaneous operation functions (one-shot pulse, PWM, and multiple PWM) cannot be used.

Remark m: Unit number (m = 0), n: Channel number (n = 1, 3)

6.5 Operation of Counter

6.5.1 Count clock (f_{CLK})

The count clock (f_{CLK}) of the timer array unit can be selected between following by CCS_{mn} bit of timer mode register mn (TMR_{mn}).

- Operation clock (f_{MCK}) specified by the CKS_{mn0} and CKS_{mn1} bits
- Valid edge of input signal input from the TImn pin

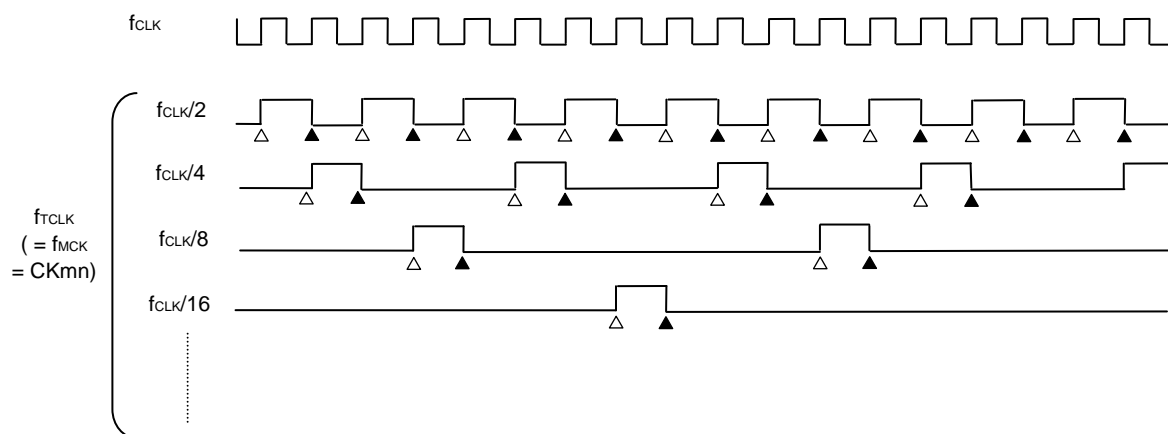
Because the timer array unit is designed to operate in synchronization with f_{CLK}, the timings of the count clock (f_{CLK}) are shown below.

(1) When operation clock (f_{MCK}) specified by the CKS_{mn0} and CKS_{mn1} bits is selected (CCS_{mn} = 0)

The count clock (f_{CLK}) is between f_{CLK} to f_{CLK} / 2¹⁵ by setting of timer clock select register m (TPS_m). When a divided f_{CLK} is selected, however, the clock selected in TPS_m register, but a signal which becomes high level for one period of f_{CLK} from its rising edge. When a f_{CLK} is selected, fixed to high level

Counting of timer count register mn (TCR_{mn}) delayed by one period of f_{CLK} from rising edge of the count clock, because of synchronization with f_{CLK}. But, this is described as “counting at rising edge of the count clock”, as a matter of convenience.

Figure 6-26. Timing of f_{CLK} and count clock (f_{CLK}) (When CCS_{mn} = 0)



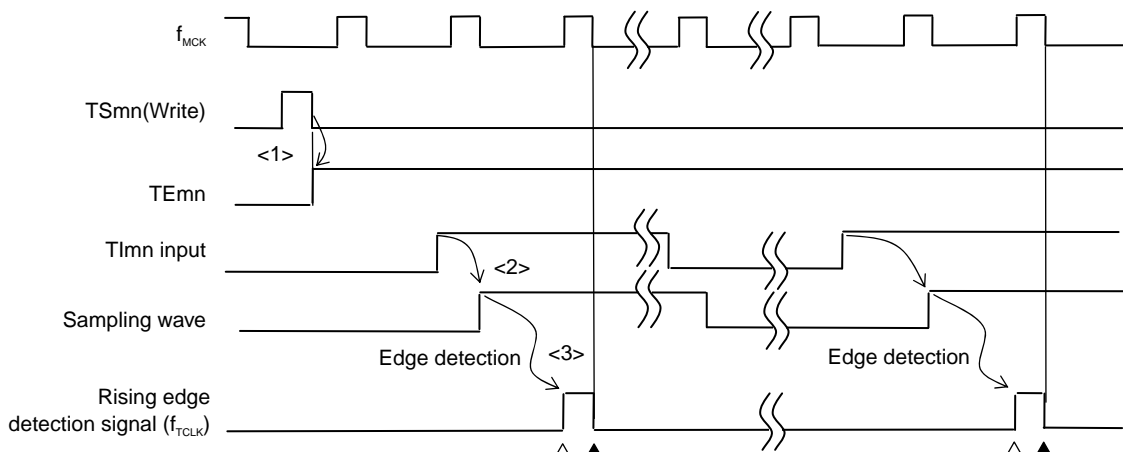
- Remarks**
1. Δ : Rising edge of the count clock
 ▲ : Synchronization, increment/decrement of counter
 2. f_{CLK}: CPU/peripheral hardware clock

(2) When valid edge of input signal input from the TImn pin is selected (CCSmn = 1)

The count clock (f_{TCLK}) is between f_{CLK} to $f_{CLK} / 2^{15}$ by setting of timer clock select register m (TPSm). When a divided f_{CLK} is selected, however, the count clock is not a signal which is simply divided f_{CLK} by 2^m , but a signal which becomes high level for one period of f_{CLK} from its rising edge ($m = 1$ to 15).

Counting of timer count register mn (TCRmn) delayed by one period of f_{CLK} from rising edge of the count clock, because of synchronization with f_{CLK} . But, this is described as “counting at rising edge of the count clock”, as a matter of convenience.

Figure 6-27. Timing of f_{CLK} and count clock (f_{TCLK}) (When CCSmn = 1, noise filter unused)



<1> Setting TSmn bit to 1 enables the timer to be started and to become wait state for valid edge of input signal via the TImn pin.

<2> The rise of input signal via the TImn pin is sampled by f_{MCK} .

<3> The edge is detected by the rising of the sampled signal and the detection signal (count clock) is output.

- Remarks 1.** Δ : Rising edge of the count clock
 \blacktriangle : Synchronization, increment/decrement of counter
2. f_{MCK} : Operation clock of channel n
 3. The waveform of the input signal to TImn pin of the input pulse interval measurement, the measurement of high/low width of input signal, the delay counter, the one-shot pulse output is the same as that shown in **Figure 6-27**.

6.5.2 Start timing of counter

Timer count register mn (TCRmn) becomes enabled to operation by setting of TSmn bit of timer channel start register m (TSm).

Operations from count operation enabled state to timer count Register mn (TCRmn) count start is shown in Table 6-6.

Table 6-6. Operations from Count Operation Enabled State to Timer count Register mn (TCRmn) Count Start

Timer operation mode	Operation when TSmn = 1 is set
<ul style="list-style-type: none"> Interval timer mode 	<p>No operation is carried out from start trigger detection (TSmn=1) until count clock generation.</p> <p>The first count clock loads the value of the TDRmn register to the TCRmn register and the subsequent count clock performs count down operation (see 6.5.3 (1) Operation of interval timer mode).</p>
<ul style="list-style-type: none"> Event counter mode 	<p>Writing 1 to the TSmn bit loads the value of the TDRmn register to the TCRmn register.</p> <p>If detect edge of TImn input. The subsequent count clock performs count down operation (see 6.5.3 (2) Operation of event counter mode).</p>
<ul style="list-style-type: none"> Capture mode 	<p>No operation is carried out from start trigger detection (TSmn = 1) until count clock generation.</p> <p>The first count clock loads 0000H to the TCRmn register and the subsequent count clock performs count up operation (see 6.5.3 (3) Operation of capture mode (input pulse interval measurement)).</p>
<ul style="list-style-type: none"> One-count mode 	<p>The waiting-for-start-trigger state is entered by writing 1 to the TSmn bit while the timer is stopped (TEmn = 0).</p> <p>No operation is carried out from start trigger detection until count clock generation.</p> <p>The first count clock loads the value of the TDRmn register to the TCRmn register and the subsequent count clock performs count down operation (see 6.5.3 (4) Operation of one-count mode).</p>
<ul style="list-style-type: none"> Capture & one-count mode 	<p>The waiting-for-start-trigger state is entered by writing 1 to the TSmn bit while the timer is stopped (TEmn = 0).</p> <p>No operation is carried out from start trigger detection until count clock generation.</p> <p>The first count clock loads 0000H to the TCRmn register and the subsequent count clock performs count up operation (see 6.5.3 (5) Start timing in capture & one-count mode (operation at high-level width measurement)).</p>

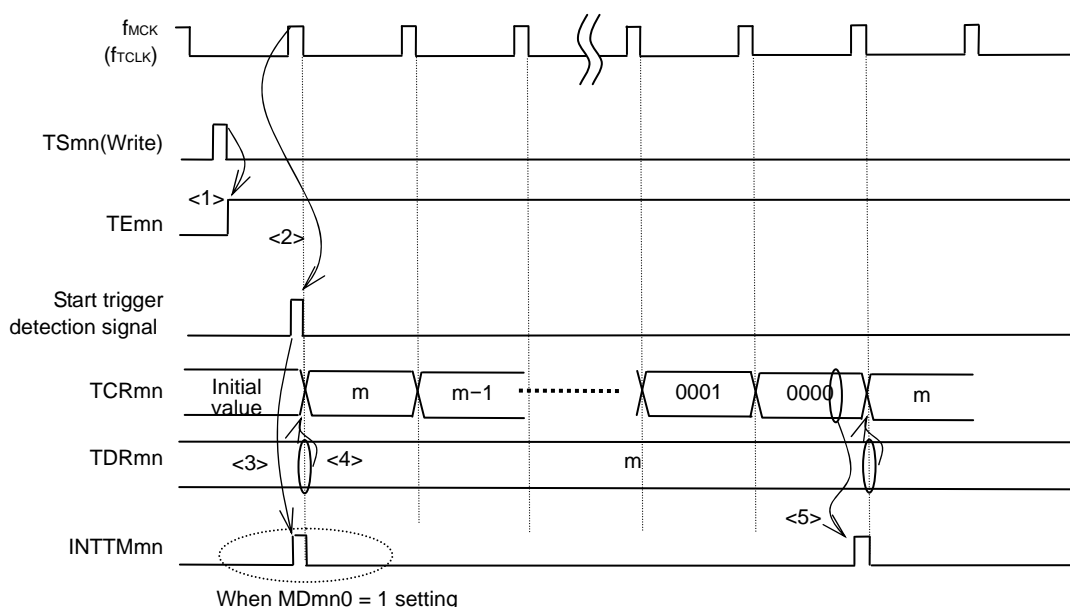
6.5.3 Operation of counter

Here, the counter operation in each mode is explained.

(1) Operation of interval timer mode

- <1> Operation is enabled ($TE_{mn} = 1$) by writing 1 to the TS_{mn} bit. Timer count register mn (TCR_{mn}) holds the initial value until count clock generation.
- <2> A start trigger is generated at the first count clock after operation is enabled.
- <3> When the MD_{mn0} bit is set to 1, $INTT_{mn}$ is generated by the start trigger.
- <4> By the first count clock after the operation enable, the value of timer data register mn (TDR_{mn}) is loaded to the TCR_{mn} register and counting starts in the interval timer mode.
- <5> When the TCR_{mn} register counts down and its count value is 0000H, $INTT_{mn}$ is generated and the value of timer data register mn (TDR_{mn}) is loaded to the TCR_{mn} register and counting keeps on.

Figure 6-28. Operation Timing (In Interval Timer Mode)



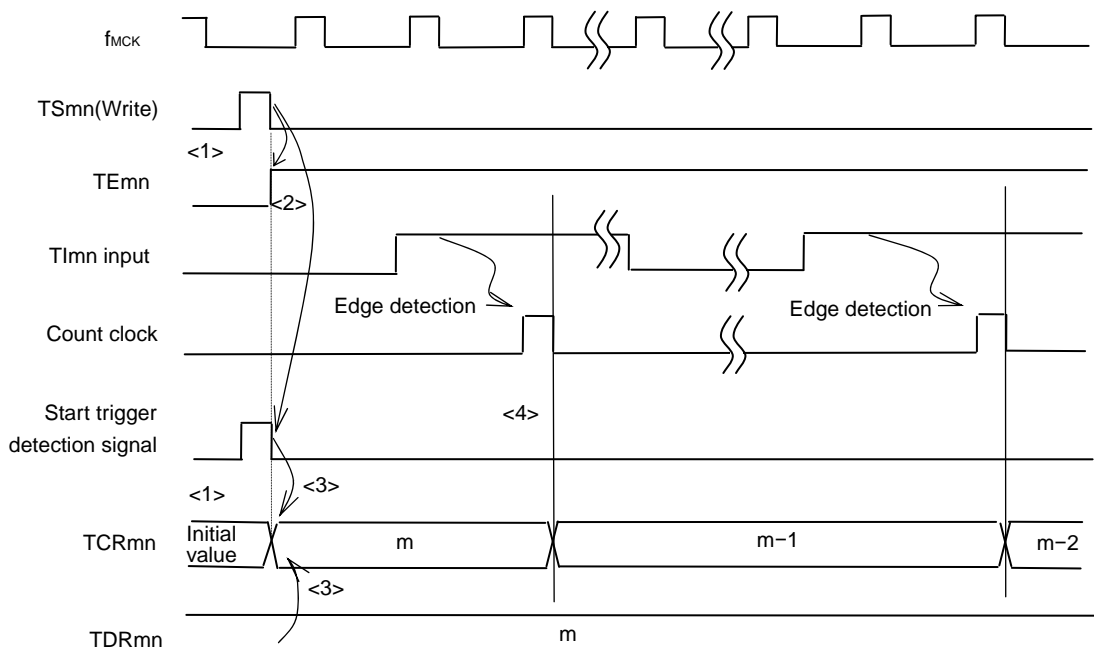
Caution In the first cycle operation of count clock after writing the TS_{mn} bit, an error at a maximum of one clock is generated since count start delays until count clock has been generated. When the information on count start timing is necessary, an interrupt can be generated at count start by setting $MD_{mn0} = 1$.

Remark f_{MCK} , the start trigger detection signal, and $INTT_{mn}$ become active between one clock in synchronization with f_{CLK} .

(2) Operation of event counter mode

- <1> Timer count register mn (TCRmn) holds its initial value while operation is stopped (TEmn = 0).
- <2> Operation is enabled (TEmn = 1) by writing 1 to the TSmn bit.
- <3> As soon as 1 has been written to the TSmn bit and 1 has been set to the TEmn bit, the value of timer data register mn (TDRmn) is loaded to the TCRmn register to start counting.
- <4> After that, the TCRmn register value is counted down according to the count clock of the valid edge of the TImn input .

Figure 6-29. Operation Timing (In Event Counter Mode)

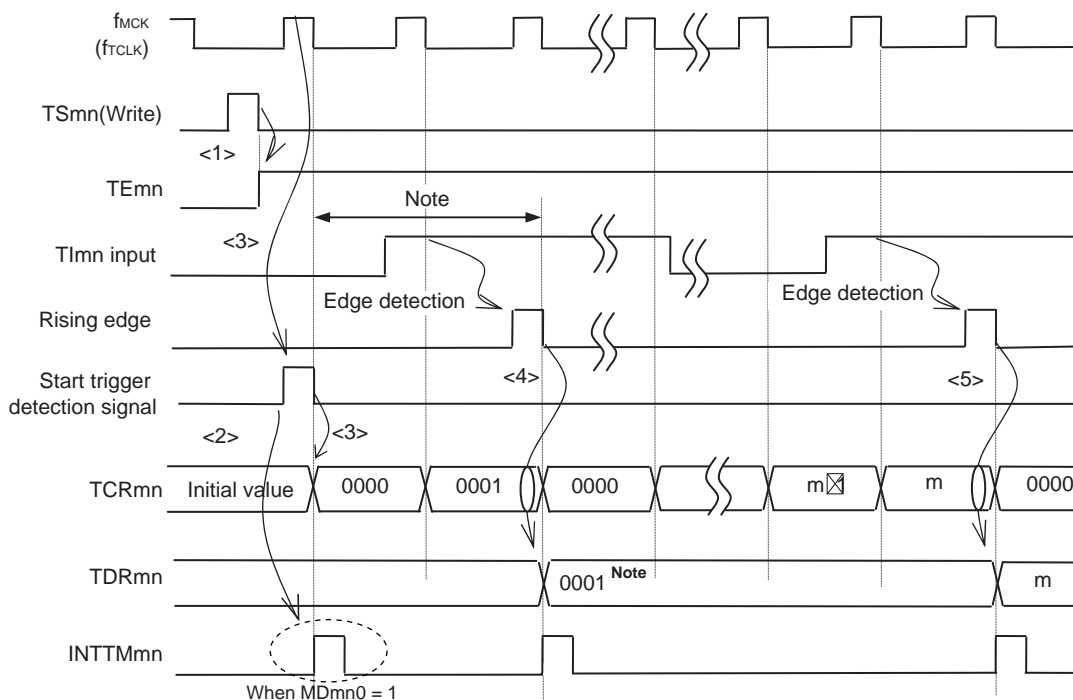


<R> **Remark** The timing is shown in Figure 6-29 indicates while the noise filter is not used. By making the noise filter on-state, the edge detection becomes 2 f_{MCK} cycles (it sums up to 3 to 4 cycles) later than the normal cycle of TImn input. The error per one period occurs be the asynchronous between the period of the TImn input and that of the count clock (f_{MCK}).

(3) Operation of capture mode (input pulse interval measurement)

- <1> Operation is enabled (TE_{mn} = 1) by writing 1 to the TS_{mn} bit.
- <2> Timer count register mn (TCR_{mn}) holds the initial value until count clock generation.
- <3> A start trigger is generated at the first count clock after operation is enabled. And the value of 0000H is loaded to the TCR_{mn} register and counting starts in the capture mode. (When the MD_{mn0} bit is set to 1, INTT_{mn} is generated by the start trigger.)
- <4> On detection of the valid edge of the TI_{mn} input, the value of the TCR_{mn} register is captured to timer data register mn (TDR_{mn}) and INTT_{mn} is generated. However, this capture value is nomenaing. The TCR_{mn} register keeps on counting from 0000H.
- <5> On next detection of the valid edge of the TI_{mn} input, the value of the TCR_{mn} register is captured to timer data register mn (TDR_{mn}) and INTT_{mn} is generated.

<R> **Figure 6-30. Operation Timing (In Capture Mode : Input Pulse Interval Measurement)**



Note If a clock has been input to TI_{mn} (the trigger exists) when capturing starts, counting starts when a trigger is detected, even if no edge is detected. Therefore, the first captured value (<4>) does not determine a pulse interval (in the above figure, 0001 just indicates two clock cycles but does not determine the pulse interval) and so the user can ignore it.

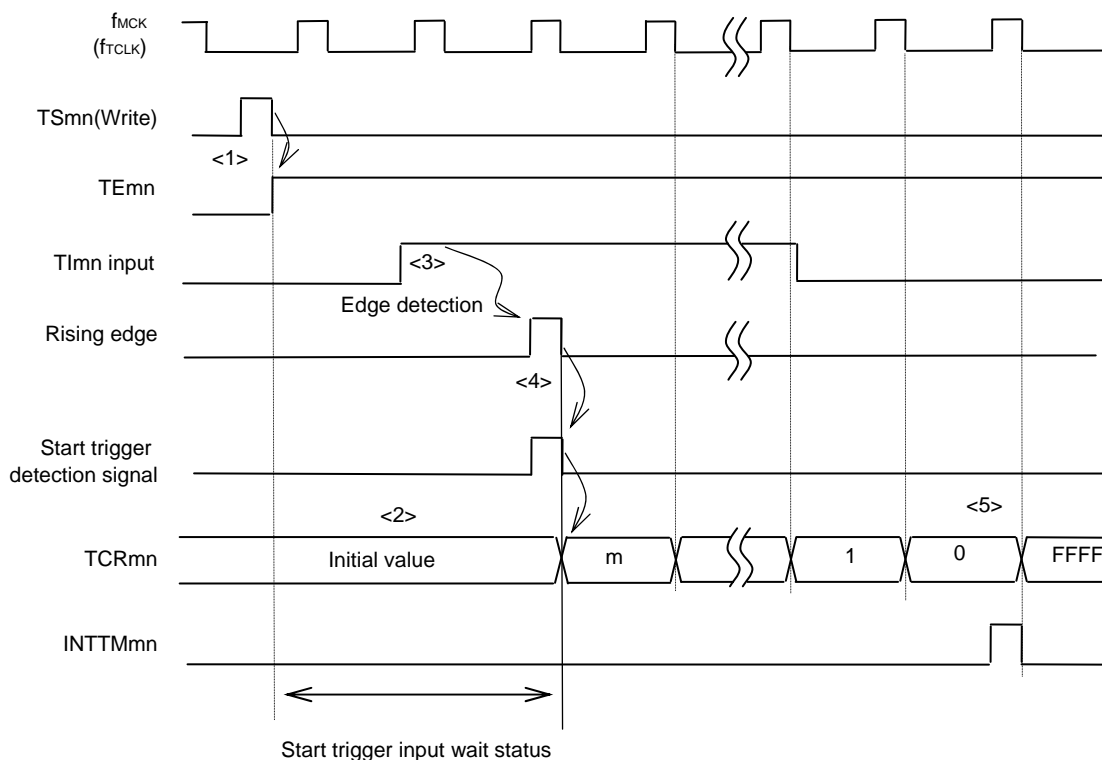
Caution In the first cycle operation of count clock after writing the TS_{mn} bit, an error at a maximum of one clock is generated since count start delays until count clock has been generated. When the information on count start timing is necessary, an interrupt can be generated at count start by setting MD_{mn0} = 1.

<R> **Remark** The timing is shown in Figure 6-30 indicates while the noise filter is not used. By making the noise filter on-state, the edge detection becomes 2 f_{MCK} cycles (it sums up to 3 to 4 cycles) later than the normal cycle of TI_{mn} input. The error per one period occurs be the asynchronous between the period of the TI_{mn} input and that of the count clock (f_{MCK}).

(4) Operation of one-count mode

- <1> Operation is enabled ($TE_{mn} = 1$) by writing 1 to the TS_{mn} bit.
- <2> Timer count register mn (TCR_{mn}) holds the initial value until start trigger generation.
- <3> Rising edge of the TI_{mn} input is detected.
- <4> On start trigger detection, the value of timer data register mn (TDR_{mn}) is loaded to the TCR_{mn} register and count starts.
- <5> When the TCR_{mn} register counts down and its count value is 0000H, $INTTM_{mn}$ is generated and the value of the TCR_{mn} register becomes FFFFH and counting stops

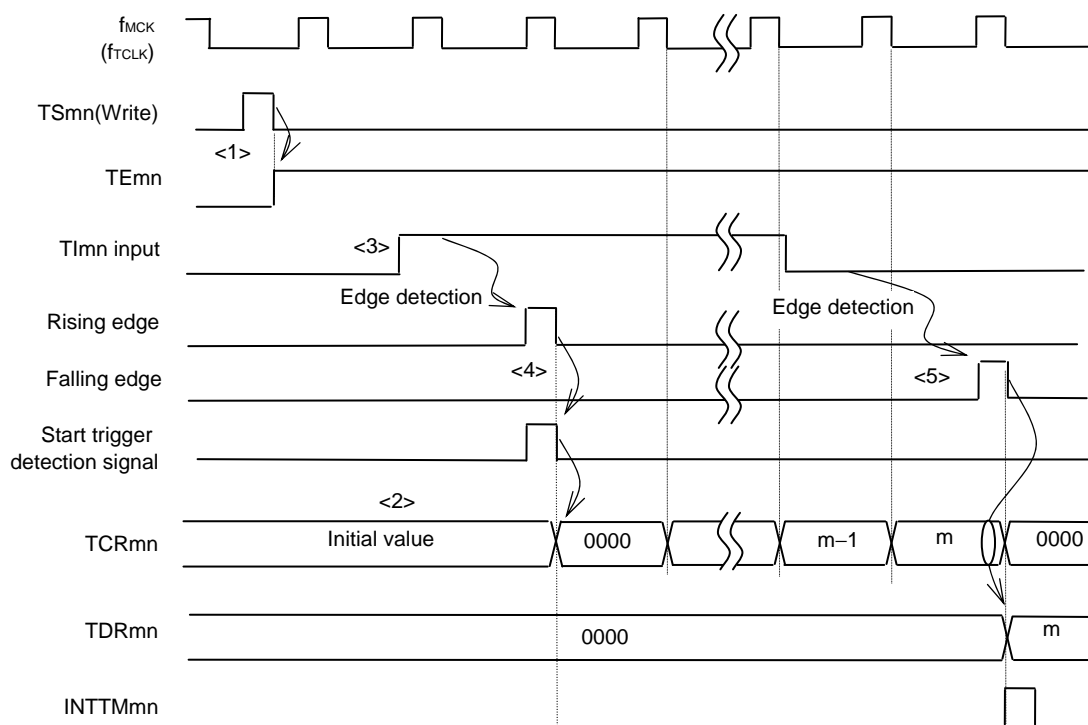
Figure 6-31. Operation Timing (In One-count Mode)



Remark The timing is shown in Figure 6-31 indicates while the noise filter is not used. By making the noise filter on-state, the edge detection becomes 2 f_{MCK} cycles (it sums up to 3 to 4 cycles) later than the normal cycle of TI_{mn} input. The error per one period occurs be the asynchronous between the period of the TI_{mn} input and that of the count clock (f_{MCK}).

(5) Start timing in capture & one-count mode (operation at high-level width measurement)

- <1> Operation is enabled ($TE_{mn} = 1$) by writing 1 to the TS_{mn} bit of timer channel start register m (TS_m).
- <2> Timer count register m_n (TCR_{mn}) holds the initial value until start trigger generation.
- <3> Rising edge of the TI_{mn} input is detected.
- <4> On start trigger detection, the value of 0000H is loaded to the TCR_{mn} register and count starts.
- <5> On detection of the falling edge of the TI_{mn} input, the value of the TCR_{mn} register is captured to timer data register m_n (TDR_{mn}) and $INTT_{mn}$ is generated.

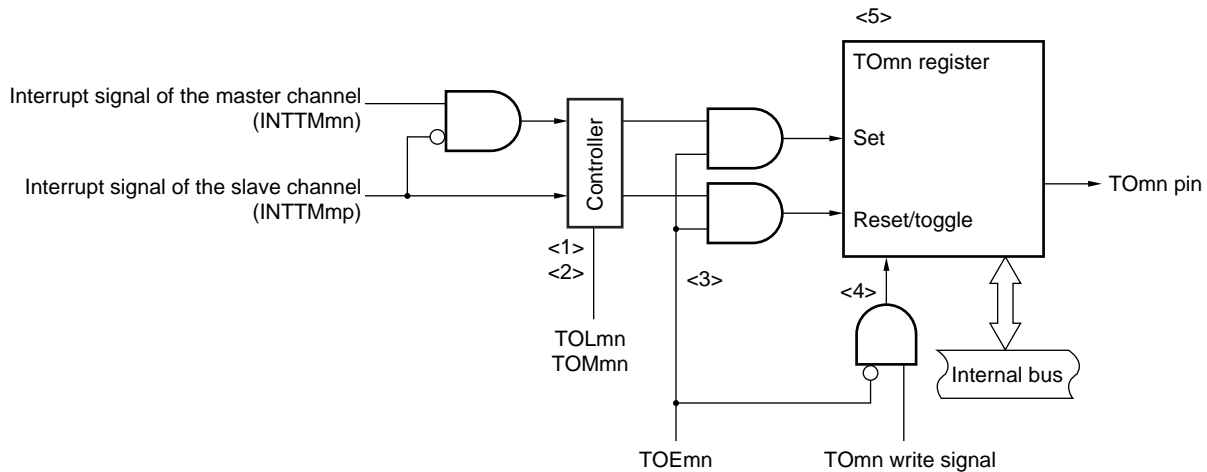
Figure 6-32. Start Timing (In Capture & One-count Mode)

Remark The timing is shown in Figure 6-32 indicates while the noise filter is not used. By making the noise filter on-state, the edge detection becomes 2 f_{MCK} cycles (it sums up to 3 to 4 cycles) later than the normal cycle of TI_{mn} input. The error per one period occurs be the asynchronous between the period of the TI_{mn} input and that of the count clock (f_{MCK}).

6.6 Channel Output (TOMn pin) Control

6.6.1 TOMn pin output circuit configuration

Figure 6-33. Output Circuit Configuration



The following describes the TOMn pin output circuit.

- <1> When $TOMmn = 0$ (master channel output mode), the set value of timer output level register m ($TOLm$) is ignored and only $INTTM0p$ (slave channel timer interrupt) is transmitted to timer output register m (TOM).
- <2> When $TOMmn = 1$ (slave channel output mode), both $INTTMmn$ (master channel timer interrupt) and $INTTM0p$ (slave channel timer interrupt) are transmitted to the TOM register. At this time, the $TOLm$ register becomes valid and the signals are controlled as follows:

When $TOLmn = 0$: Positive logic output ($INTTMmn \rightarrow \text{set}$, $INTTM0p \rightarrow \text{reset}$)
 When $TOLmn = 1$: Negative logic output ($INTTMmn \rightarrow \text{reset}$, $INTTM0p \rightarrow \text{set}$)

When $INTTMmn$ and $INTTM0p$ are simultaneously generated, (0% output of PWM), $INTTM0p$ (reset signal) takes priority, and $INTTMmn$ (set signal) is masked.

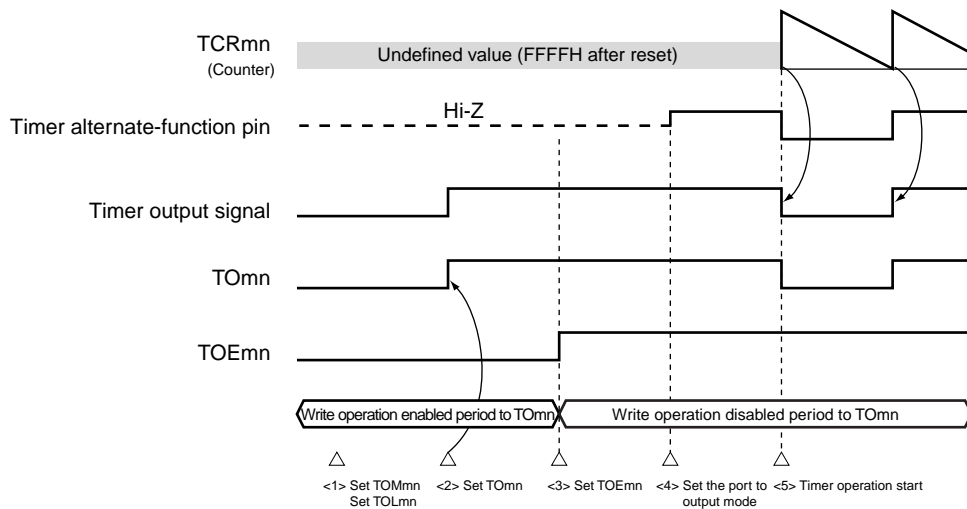
- <3> While timer output is enabled ($TOEmn = 1$), $INTTMmn$ (master channel timer interrupt) and $INTTM0p$ (slave channel timer interrupt) are transmitted to the TOM register. Writing to the TOM register ($TOMn$ write signal) becomes invalid. When $TOEmn = 1$, the $TOMn$ pin output never changes with signals other than interrupt signals. To initialize the $TOMn$ pin output level, it is necessary to set timer operation stopped ($TOEmn = 0$) and to write a value to the TOM register.
- <4> While timer output is disabled ($TOEmn = 0$), writing to the $TOMn$ bit to the target channel ($TOMn$ write signal) becomes valid. When timer output is disabled ($TOEmn = 0$), neither $INTTMmn$ (master channel timer interrupt) nor $INTTM0p$ (slave channel timer interrupt) is transmitted to the TOM register.
- <5> The TOM register can always be read, and the $TOMn$ pin output level can be checked.

Remark m : Unit number ($m = 0$)
 n : Channel number
 $n = 0$ to 7 ($n = 0, 2, 4, 6$ for master channel)
 p : Slave channel number
 $n < p \leq 7$

6.6.2 TOMn Pin Output Setting

The following figure shows the procedure and status transition of the TOMn output pin from initial setting to timer operation start.

Figure 6-34. Status Transition from Timer Output Setting to Operation Start



<1> The operation mode of timer output is set.

- TOMmn bit (0: Master channel output mode, 1: Slave channel output mode)
- TOLmn bit (0: Positive logic output, 1: Negative logic output)

<2> The timer output signal is set to the initial status by setting timer output register m (TOM).

<3> The timer output operation is enabled by writing 1 to the TOEmn bit (writing to the TOM register is disabled).

<4> The port is set to digital I/O by port mode control register (PMCxx) (see **6.3.16 Port mode registers 1, 3 to 5, 14 (PM1, PM3 to PM5, PM14)**).

<5> The port I/O setting is set to output (see **6.3.16 Port mode registers 1, 3 to 5, 14 (PM1, PM3 to PM5, PM14)**).

<6> The timer operation is enabled (TSMn = 1).

Remark m: Unit number (m = 0), n: Channel number (n = 0 to 7)

6.6.3 Cautions on Channel Output Operation

(1) Changing values set in the registers T_{Om}, T_{OEm}, and T_{OLm} during timer operation

Since the timer operations (operations of timer count register mn (TCR_{mn}) and timer data register mn (TDR_{mn})) are independent of the T_{Om}n output circuit and changing the values set in timer output register m (T_{Om}), timer output enable register m (T_{OEm}), and timer output level register m (T_{OLm}), does not affect the timer operation, the values can be changed during timer operation. To output an expected waveform from the T_{Om}n pin by timer operation, however, set the T_{Om}, T_{OEm}, and T_{OLm} registers to the values stated in the register setting example of each operation described in **6.7** and **6.8**.

When the values set to the T_{OEm}, and T_{OLm} registers (but not the T_{Om} register) are changed close to the occurrence of the timer interrupt (INTT_{Mmn}) of each channel, the waveform output to the T_{Om}n pin might differ, depending on whether the values are changed immediately before or immediately after the timer interrupt (INTT_{Mmn}) occurs.

Remark m: Unit number (m = 0), n: Channel number (n = 0 to 7)

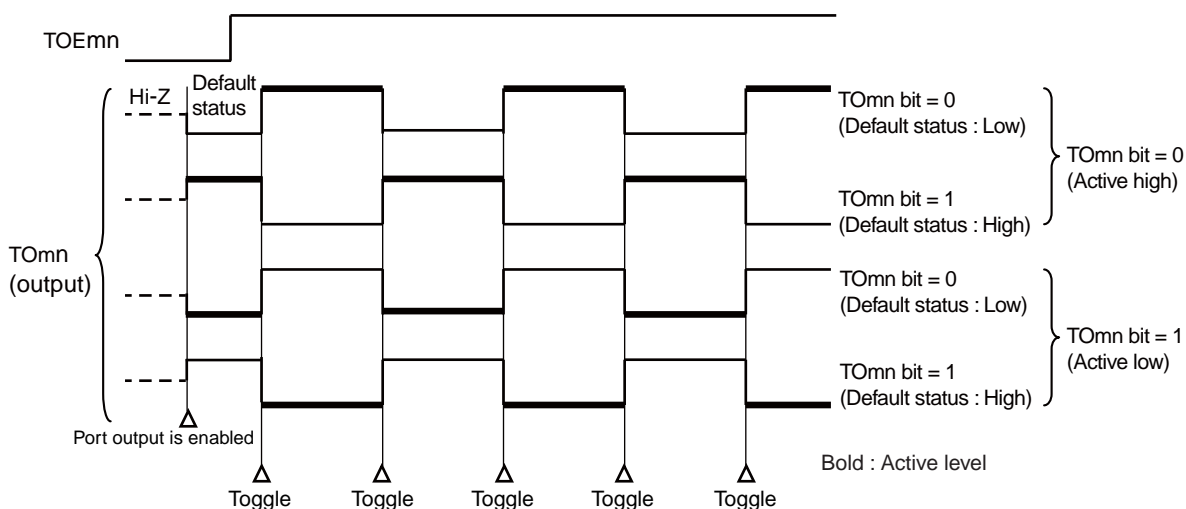
(2) Default level of TOMn pin and output level after timer operation start

The change in the output level of the TOMn pin when timer output register m (TOM) is written while timer output is disabled (TOEmn = 0), the initial level is changed, and then timer output is enabled (TOEmn = 1) before port output is enabled, is shown below.

(a) When operation starts with master channel output mode (TOMmn = 0) setting

The setting of timer output level register m (TOLm) is invalid when master channel output mode (TOMmn = 0). When the timer operation starts after setting the default level, the toggle signal is generated and the output level of the TOMn pin is reversed.

Figure 6-35. TOMn Pin Output Status at Toggle Output (TOMmn = 0)

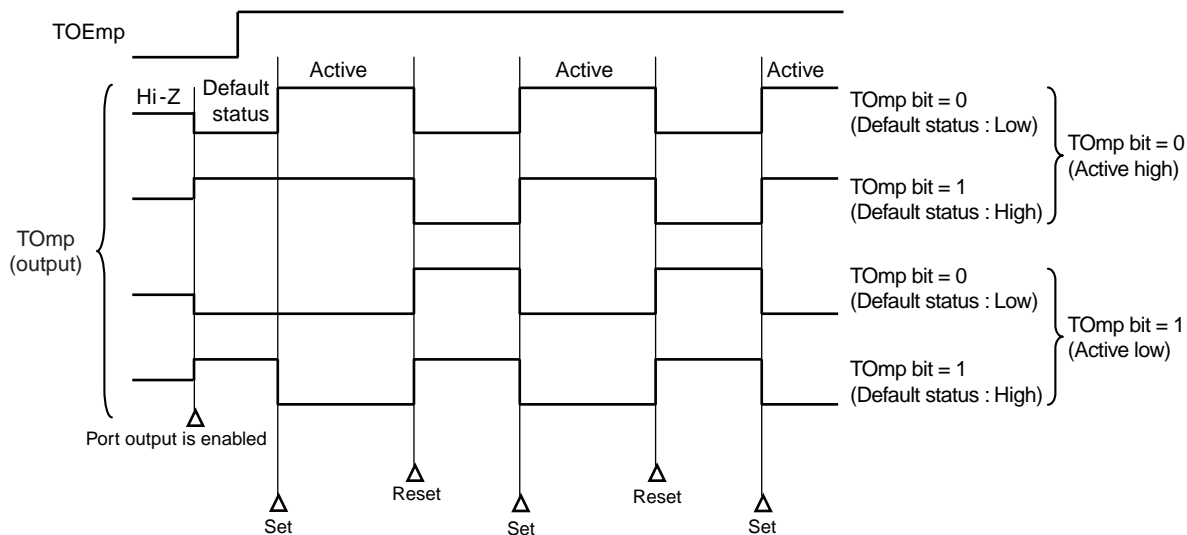


- Remarks 1.** Toggle: Reverse TOMn pin output status
- 2.** m: Unit number (m = 0), n: Channel number (n = 0 to 7)

(b) When operation starts with slave channel output mode (TOMmp = 1) setting (PWM output)

When slave channel output mode (TOMmp = 1), the active level is determined by timer output level register m (TOLm) setting.

Figure 6-36. TOMn Pin Output Status at PWM Output (TOMmp = 1)



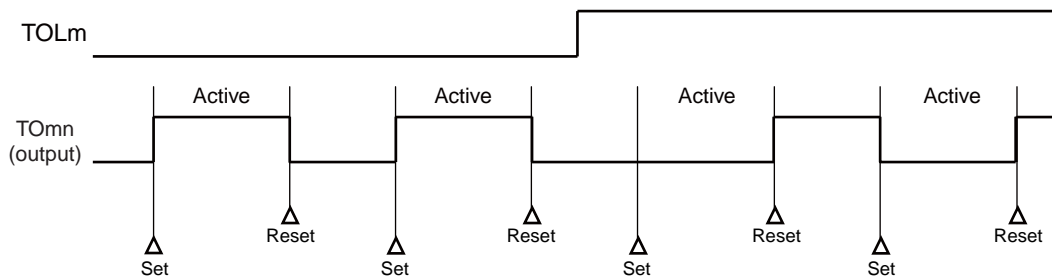
- Remarks 1.** Set: The output signal of the TOMP pin changes from inactive level to active level.
 Reset: The output signal of the TOMP pin changes from active level to inactive level.
- 2.** m: Unit number (m = 0), n: Channel number (p = 1 to 7)

(3) Operation of TOMn pin in slave channel output mode (TOMmn = 1)**(a) When timer output level register m (TOLm) setting has been changed during timer operation**

When the TOLm register setting has been changed during timer operation, the setting becomes valid at the generation timing of the TOMn pin change condition. Rewriting the TOLm register does not change the output level of the TOMn pin.

The operation when TOMmn is set to 1 and the value of the TOLm register is changed while the timer is operating (TEMn = 1) is shown below.

Figure 6-37. Operation when TOLm Register Has Been Changed during Timer Operation



- Remarks 1.** Set: The output signal of the TOMn pin changes from inactive level to active level.
 Reset: The output signal of the TOMn pin changes from active level to inactive level.
- 2.** m: Unit number (m = 0), n: Channel number (n = 0 to 7)

(b) Set/reset timing

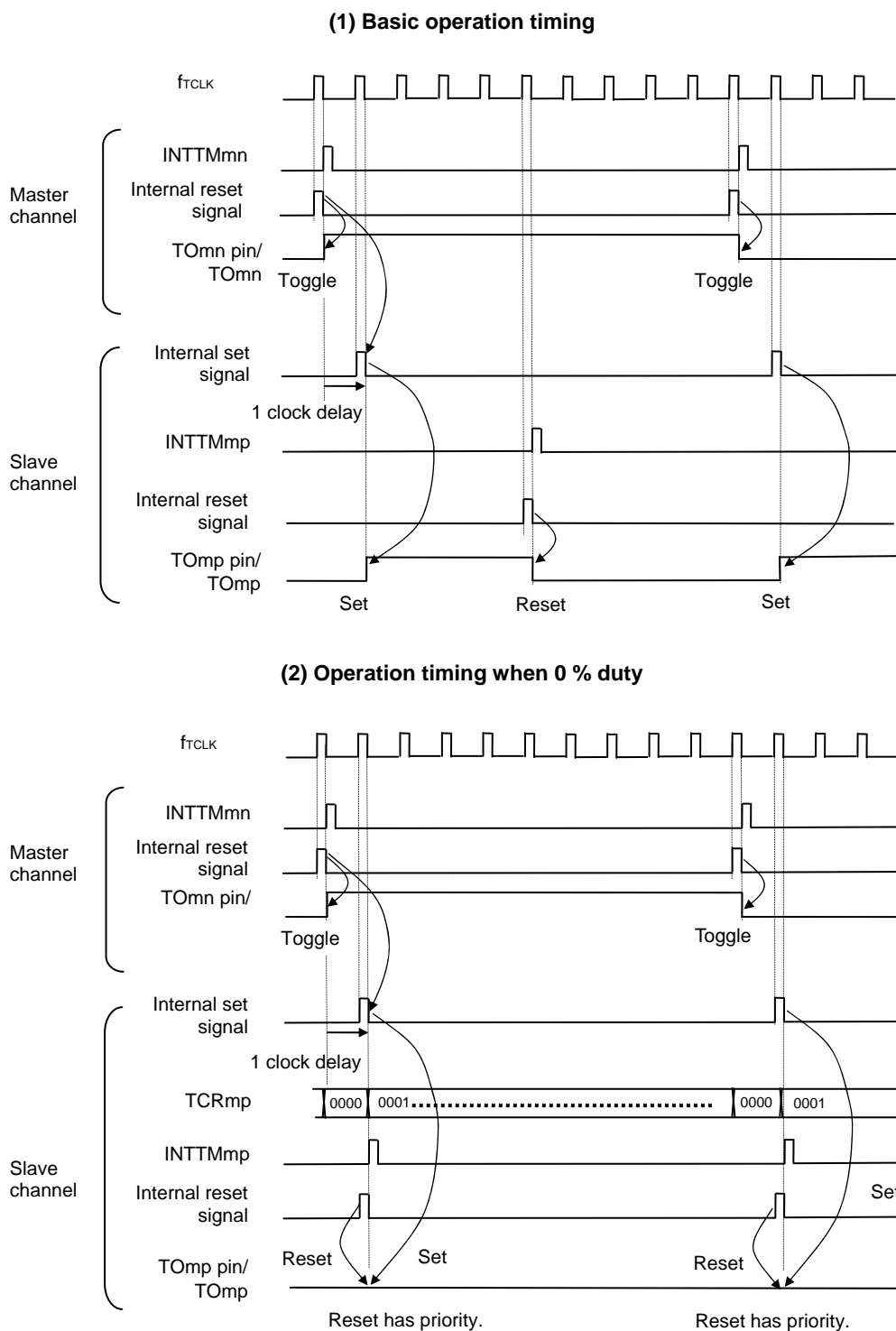
To realize 0%/100% output at PWM output, the TOMn pin/TOMn bit set timing at master channel timer interrupt (INTTMmn) generation is delayed by 1 count clock by the slave channel.

If the set condition and reset condition are generated at the same time, a higher priority is given to the latter.

Figure 6-38 shows the set/reset operating statuses where the master/slave channels are set as follows.

- Master channel: TOEmn = 1, TOMmn = 0, TOLmn = 0
 Slave channel: TOEmp = 1, TOMmp = 1, TOLmp = 0

Figure 6-38. Set/Reset Timing Operating Statuses



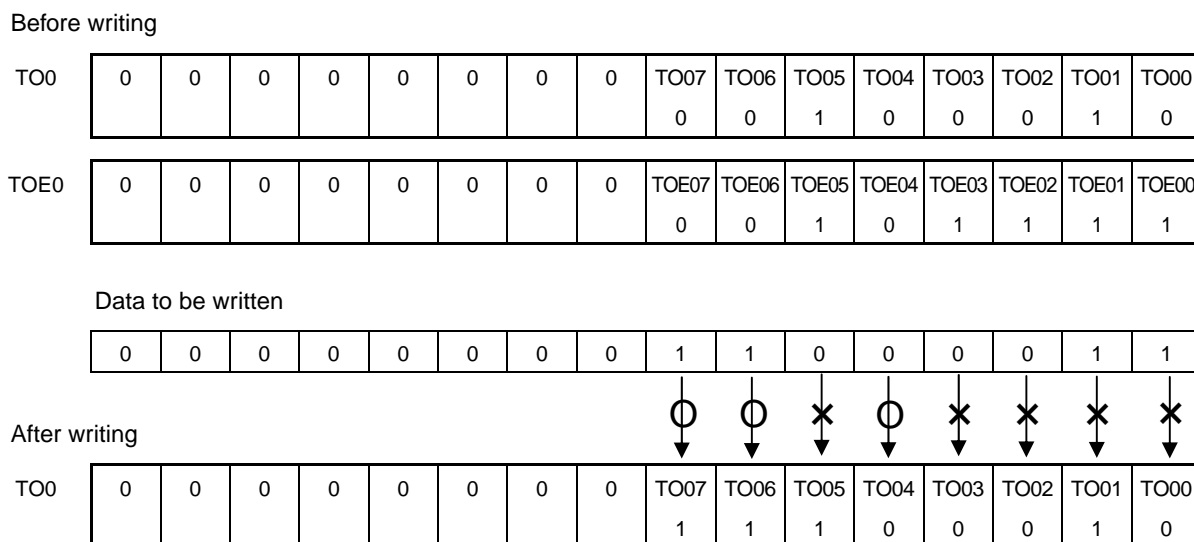
- Remarks 1.** Internal reset signal: TOMn pin reset/toggle signal
 Internal set signal: TOMn pin set signal
- 2.** m: Unit number (m = 0)
 n: Channel number (n = 0 to 7)
 n = 0 to 7 (n = 0, 2, 4, 6 for master channel)
 p: Slave channel number
 n < p ≤ 7

6.6.4 Collective manipulation of TOMn bit

In timer output register m (TOM), the setting bits for all the channels are located in one register in the same way as timer channel start register m (TSM). Therefore, the TOMn bit of all the channels can be manipulated collectively.

Only the desired bits can also be manipulated by enabling writing only to the TOMn bits (TOEmn = 0) that correspond to the relevant bits of the channel used to perform output (TOMn).

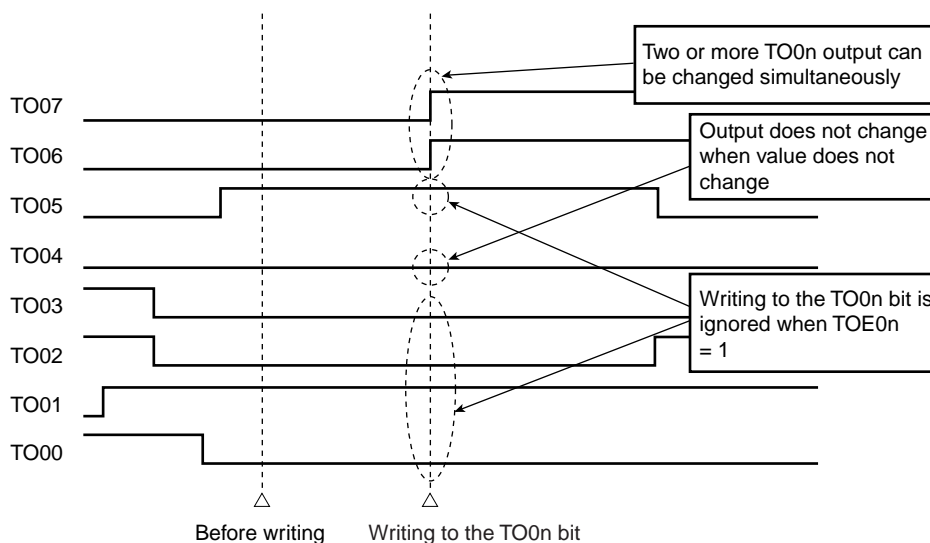
Figure 6-39 Example of TO0n Bit Collective Manipulation



Writing is done only to the TOMn bit with TOEmn = 0, and writing to the TOMn bit with TOEmn = 1 is ignored.

TOMn (channel output) to which TOEmn = 1 is set is not affected by the write operation. Even if the write operation is done to the TOMn bit, it is ignored and the output change by timer operation is normally done.

Figure 6-40. TO0n Pin Statuses by Collective Manipulation of TO0n Bit



(Caution and Remark are given on the next page.)

Caution While timer output is enabled ($TOEmn = 1$), even if the output by timer interrupt of each timer ($INTTMmn$) contends with writing to the $TOmn$ bit, output is normally done to the $TOmn$ pin.

Remark m: Unit number ($m = 0$), n: Channel number ($n = 0$ to 7)

6.6.5 Timer Interrupt and $TOmn$ Pin Output at Operation Start

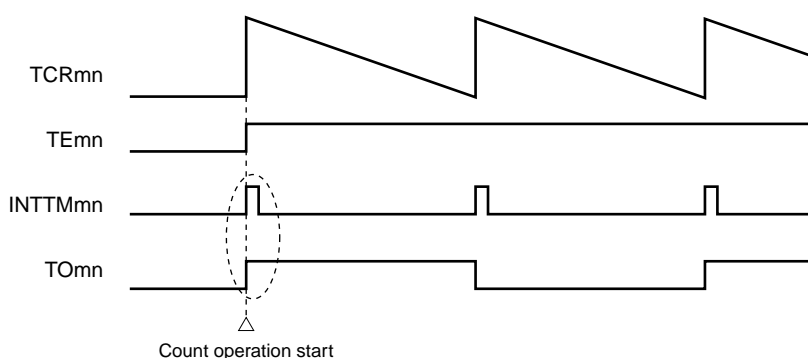
In the interval timer mode or capture mode, the $MDmn0$ bit in timer mode register mn ($TMRmn$) sets whether or not to generate a timer interrupt at count start.

When $MDmn0$ is set to 1, the count operation start timing can be known by the timer interrupt ($INTTMmn$) generation.

In the other modes, neither timer interrupt at count operation start nor $TOmn$ output is controlled.

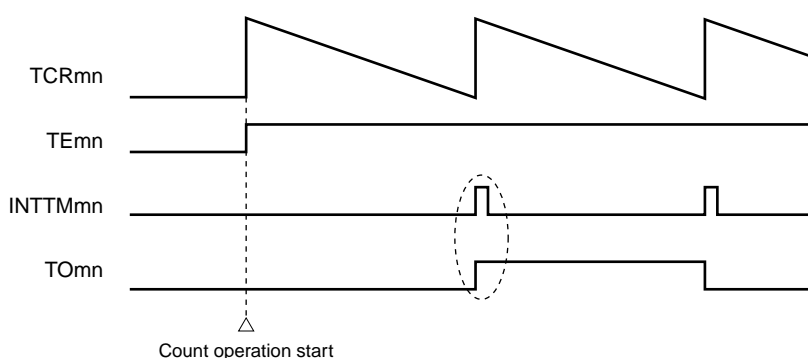
Figures 6-41 and 6-42 show operation examples when the interval timer mode ($TOEmn = 1$, $TOMmn = 0$) is set.

Figure 6-41. When $MDmn0$ is set to 1



When $MDmn0$ is set to 1, a timer interrupt ($INTTMmn$) is output at count operation start, and $TOmn$ performs a toggle operation.

Figure 6-42. When $MDmn0$ is set to 0



When $MDmn0$ is set to 1, a timer interrupt ($INTTMmn$) is output at count operation start, and $TOmn$ performs a toggle operation.

When $MDmn0$ is set to 0, a timer interrupt ($INTTMmn$) is not output at count operation start, and $TOmn$ does not change either. After counting one cycle, $INTTMmn$ is output and $TOmn$ performs a toggle operation.

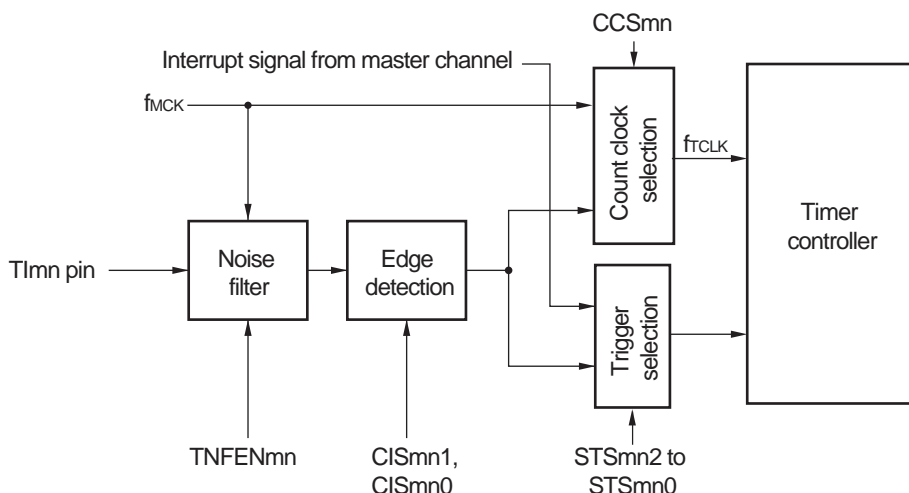
Remark m: Unit number ($m = 0$), n: Channel number ($n = 0$ to 7)

<R> 6.7 Timer Input (TImn) Control

6.7.1 TImn input circuit configuration

A signal is input from a timer input pin, goes through a noise filter and an edge detector, and is sent to a timer controller. Enable the noise filter for the pin in need of noise removal. The following shows the configuration of the input circuit.

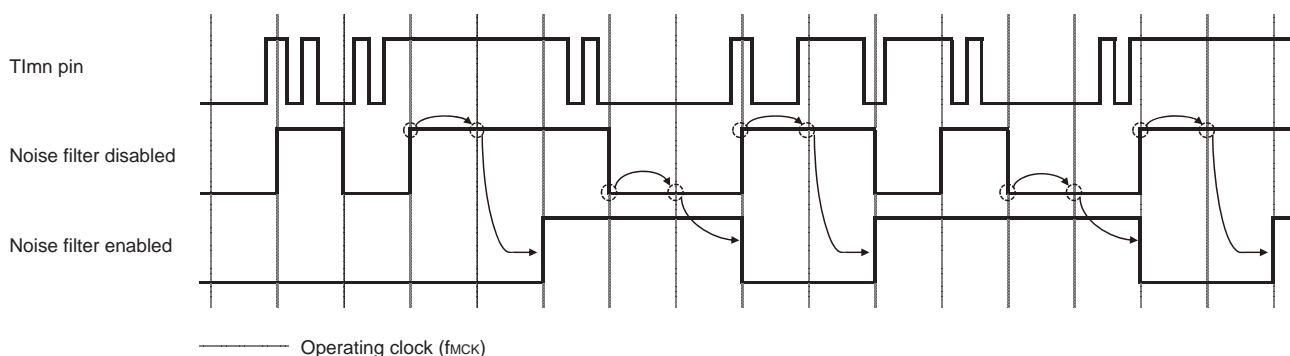
Figure 6-43. Input Circuit Configuration



6.7.2 Noise filter

When the noise filter is disabled, the input signal is only synchronized with the operating clock (f_{MCK}) for channel n . When the noise filter is enabled, after synchronization with the operating clock (f_{MCK}) for channel n , whether the signal keeps the same value for two clock cycles is detected. The following shows differences in waveforms output from the noise filter between when the noise filter is enabled and disabled.

Figure 6-44. Sampling Waveforms through TImn Input Pin with Noise Filter Enabled and Disabled



6.7.3 Cautions on channel input operation

When a timer input pin is set as unused, the operating clock is not supplied to the noise filter. Therefore, after settings are made to use the timer input pin, the following wait time is necessary before a trigger is specified to enable operation of the channel corresponding to the timer input pin.

(1) Noise filter is disabled

When bits 12 (CCSmn), 9 (STSmn1), and 8 (STSmn0) in the timer mode register mn (TMRmn) are 0 and then one of them is set to 1, wait for at least two cycles of the operating clock (f_{MCK}), and then set the operation enable trigger bit in the timer channel start register (TSM).

(2) Noise filter is enabled

When bits 12 (CCSmn), 9 (STSmn1), and 8 (STSmn0) in the timer mode register mn (TMRmn) are all 0 and then one of them is set to 1, wait for at least four cycles of the operating clock (f_{MCK}), and then set the operation enable trigger bit in the timer channel start register (TSM).

6.8 Independent Channel Operation Function of Timer Array Unit

6.8.1 Operation as interval timer/square wave output

(1) Interval timer

The timer array unit can be used as a reference timer that generates INTTMmn (timer interrupt) at fixed intervals. The interrupt generation period can be calculated by the following expression.

$$\text{Generation period of INTTMmn (timer interrupt)} = \text{Period of count clock} \times (\text{Set value of TDRmn} + 1)$$

(2) Operation as square wave output

TOMn performs a toggle operation as soon as INTTMmn has been generated, and outputs a square wave with a duty factor of 50%.

The period and frequency for outputting a square wave from TOMn can be calculated by the following expressions.

$$\bullet \text{ Period of square wave output from TOMn} = \text{Period of count clock} \times (\text{Set value of TDRmn} + 1) \times 2$$

$$\bullet \text{ Frequency of square wave output from TOMn} = \text{Frequency of count clock} / \{(\text{Set value of TDRmn} + 1) \times 2\}$$

Timer count register mn (TCRmn) operates as a down counter in the interval timer mode.

The TCRmn register loads the value of timer data register mn (TDRmn) at the first count clock after the channel start trigger bit (TSmn, TSHm1, TSHm3) of timer channel start register m (TSm) is set to 1. If the MDmn0 bit of timer mode register mn (TMRmn) is 0 at this time, INTTMmn is not output and TOMn is not toggled. If the MDmn0 bit of the TMRmn register is 1, INTTMmn is output and TOMn is toggled.

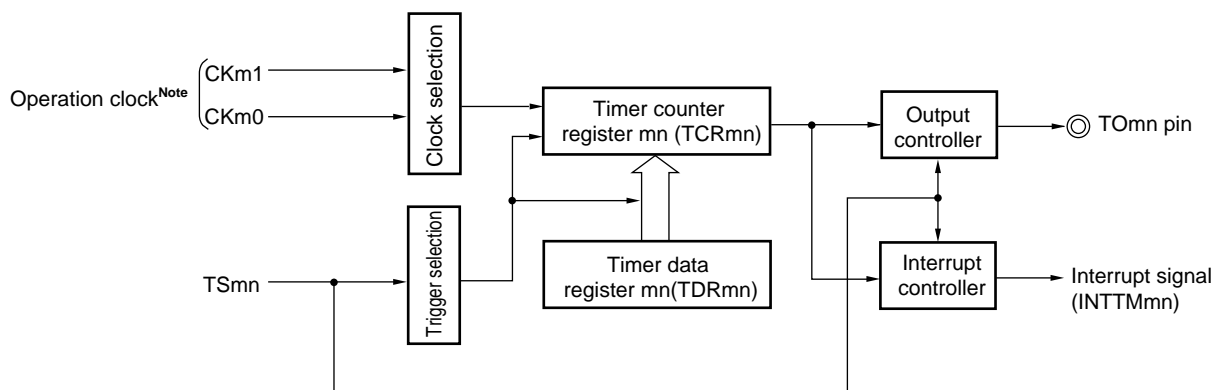
After that, the TCRmn register count down in synchronization with the count clock.

When TCRmn = 0000H, INTTMmn is output and TOMn is toggled at the next count clock. At the same time, the TCRmn register loads the value of the TDRmn register again. After that, the same operation is repeated.

The TDRmn register can be rewritten at any time. The new value of the TDRmn register becomes valid from the next period.

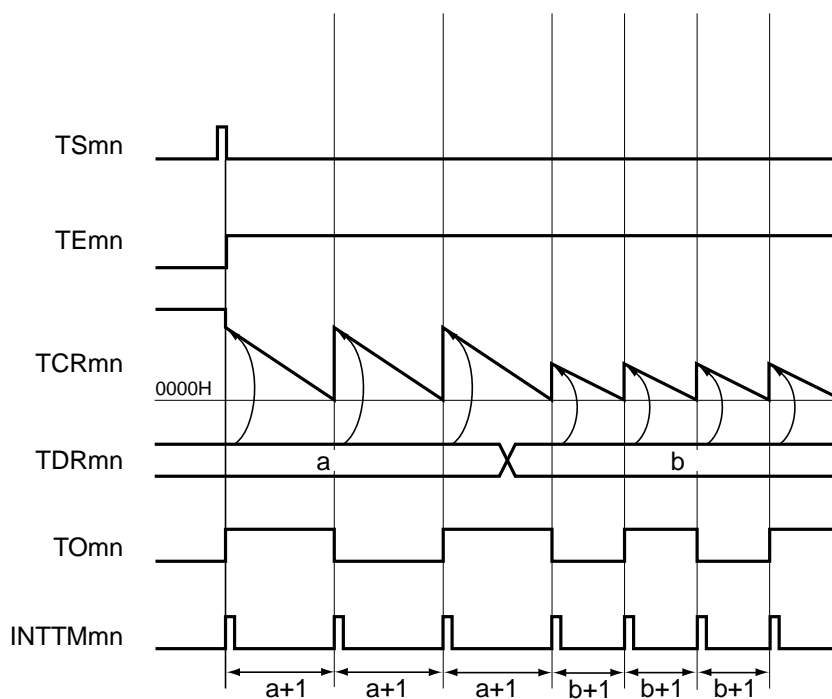
Remark m: Unit number (m = 0), n: Channel number (n = 0 to 7)

Figure 6-45. Block Diagram of Operation as Interval Timer/Square Wave Output



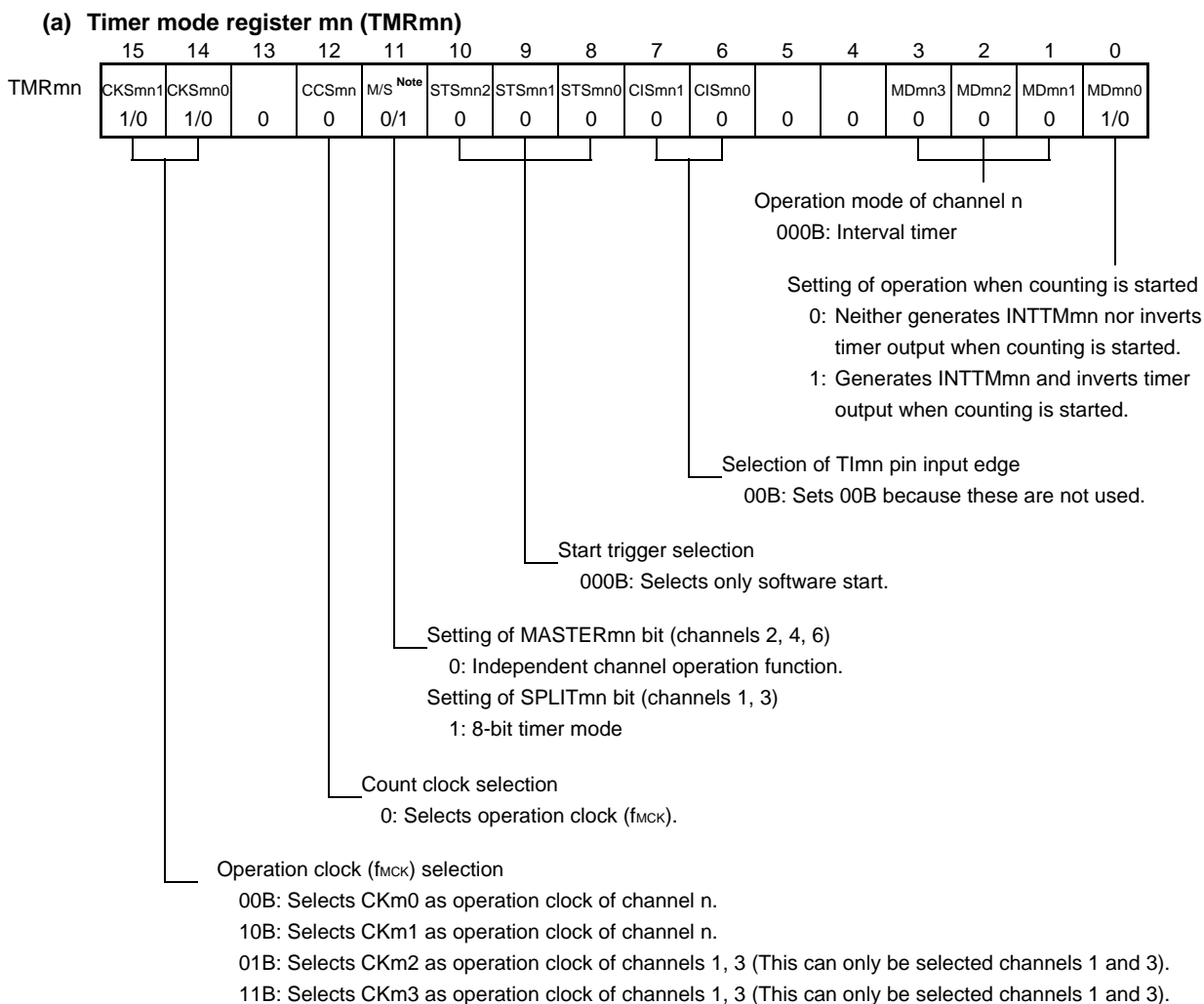
Note When channels 1 and 3, the clock can be selected from CKm0, CKm1, CKm2 and CKm3.

Figure 6-46. Example of Basic Timing of Operation as Interval Timer/Square Wave Output (MDmn0 = 1)

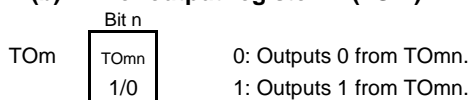


- Remarks**
1. m: Unit number (m = 0), n: Channel number (n = 0 to 7)
 2. TSmn: Bit n of timer channel start register m (TSm)
 TEMn: Bit n of timer channel enable status register m (TEm)
 TCRmn: Timer count register mn (TCRmn)
 TDRmn: Timer data register mn (TDRmn)
 TOmn: TOmn pin output signal

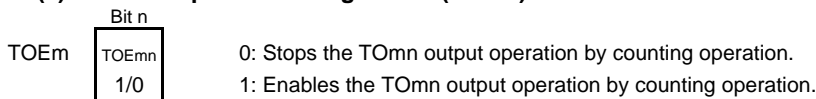
Figure 6-47. Example of Set Contents of Registers During Operation as Interval Timer/Square Wave Output (1/2)



(b) Timer output register m (TOM)



(c) Timer output enable register m (TOEm)



Note TMRm2, TMRm4, TMRm6: MASTERmn bit
 TMRm1, TMRm3: SPLITmn bit
 TMRm0, TMRm5, TMRm7: Fixed to 0

Remark m: Unit number (m = 0), n: Channel number (n = 0 to 7)

Figure 6-47. Example of Set Contents of Registers During Operation as Interval Timer/Square Wave Output (2/2)**(d) Timer output level register m (TOLm)**

TOLm

Bit n
TOLmn
0

 0: Cleared to 0 when TOMmn = 0 (master channel output mode)

(e) Timer output mode register m (TOMm)

TOMm

Bit n
TOMmn
0

 0: Sets master channel output mode.

Remark m: Unit number (m = 0), n: Channel number (n = 0 to 7)

Figure 6-48. Operation Procedure of Interval Timer/Square Wave Output Function (1/2)

	Software Operation	Hardware Status
TAU default setting		Power-off status (Clock supply is stopped and writing to each register is disabled.)
	Sets the TAU0EN bit of peripheral enable register 0 (PER0) to 1.	Power-on status. Each channel stops operating. (Clock supply is started and writing to each register is enabled.)
	Sets timer clock select register m (TPSm). Determines clock frequencies of CKm0 to CKm3.	
Channel default setting	Sets timer mode register mn (TMRmn) (determines operation mode of channel). Sets interval (period) value to timer data register mn (TDRmn).	Channel stops operating. (Clock is supplied and some power is consumed.)
	To use the TOMn output Clears the TOMmn bit of timer output mode register m (TOMm) to 0 (master channel output mode). Clears the TOLmn bit to 0. Sets the TOMn bit and determines default level of the TOMn output.	The TOMn pin goes into Hi-Z output state. The TOMn default setting level is output when the port mode register is in the output mode and the port register is 0.
	Sets the TOEmn bit to 1 and enables operation of TOMn. Clears the port register and port mode register to 0.	TOMn does not change because channel stops operating. The TOMn pin outputs the TOMn set level.
Operation start	(Sets the TOEmn bit to 1 only if using TOMn output and resuming operation.) Sets the TSmn (TSHm1, TSHm3) bit to 1. The TSmn (TSHm1, TSHm3) bit automatically returns to 0 because it is a trigger bit.	TEmn (TEHm1, TEHm3) = 1, and count operation starts. Value of the TDRmn register is loaded to timer count register mn (TCRmn) at the count clock input. INTTMmn is generated and TOMn performs toggle operation if the MDmn0 bit of the TMRmn register is 1.
During operation	Set values of the TMRmn register, TOMmn, and TOLmn bits cannot be changed. Set value of the TDRmn register can be changed. The TCRmn register can always be read. The TSRmn register is not used. Set values of the TOM and TOEm registers can be changed.	Counter (TCRmn) counts down. When count value reaches 0000H, the value of the TDRmn register is loaded to the TCRmn register again and the count operation is continued. By detecting TCRmn = 0000H, INTTMmn is generated and TOMn performs toggle operation. After that, the above operation is repeated.
Operation stop	The TTmn (TTHm1, TTHm3) bit is set to 1. The TTmn (TTHm1, TTHm3) bit automatically returns to 0 because it is a trigger bit.	TEmn (TEHm1, TEHm3), and count operation stops. The TCRmn register holds count value and stops. The TOMn output is not initialized but holds current status.
	The TOEmn bit is cleared to 0 and value is set to the TOMn bit.	The TOMn pin outputs the TOMn bit set level.

Operation is resumed.

(Remark is listed on the next page.)

Figure 6-48. Operation Procedure of Interval Timer/Square Wave Output Function (2/2)

	Software Operation	Hardware Status
TAU stop	<p>To hold the TOMn pin output level Clears the TOMn bit to 0 after the value to be held is set to the port register. →</p> <p>When holding the TOMn pin output level is not necessary Setting not required.</p> <hr style="border-top: 1px dashed black;"/> <p>The TAU0EN bit of the PER0 register is cleared to 0. →</p>	<p>The TOMn pin output level is held by port function.</p> <hr style="border-top: 1px dashed black;"/> <p>Power-off status All circuits are initialized and SFR of each channel is also initialized. (The TOMn bit is cleared to 0 and the TOMn pin is set to port mode.)</p>

Remark m: Unit number (m = 0), n: Channel number (n = 0 to 7)

6.8.2 Operation as external event counter

The timer array unit can be used as an external event counter that counts the number of times the valid input edge (external event) is detected in the TImn pin. When a specified count value is reached, the event counter generates an interrupt. The specified number of counts can be calculated by the following expression.

$$\text{Specified number of counts} = \text{Set value of TDRmn} + 1$$

Timer count register mn (TCRmn) operates as a down counter in the event counter mode.

The TCRmn register loads the value of timer data register mn (TDRmn) by setting any channel start trigger bit (TSMn, TSHm1, TSHm3) of timer channel start register m (TSM) to 1.

The TCRmn register counts down each time the valid input edge of the TImn pin has been detected. When TCRmn = 0000H, the TCRmn register loads the value of the TDRmn register again, and outputs INTTMmn.

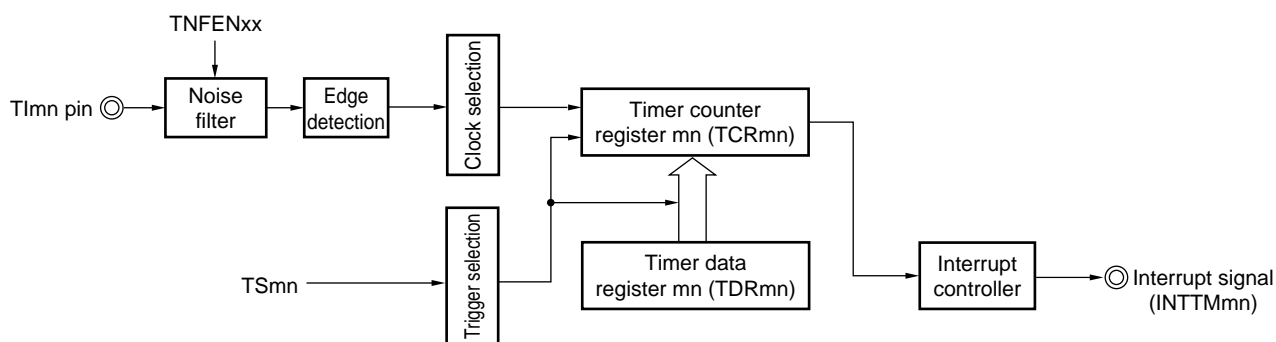
After that, the above operation is repeated.

An irregular waveform that depends on external events is output from the TOmn pin. Stop the output by setting the TOEmn bit of timer output enable register m (TOEm) to 0.

The TDRmn register can be rewritten at any time. The new value of the TDRmn register becomes valid during the next count period.

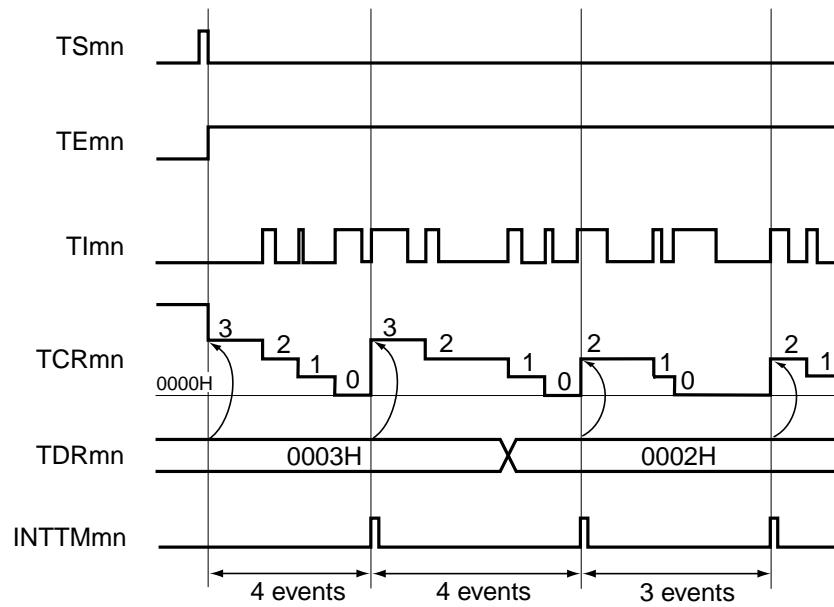
<R>

Figure 6-49. Block Diagram of Operation as External Event Counter



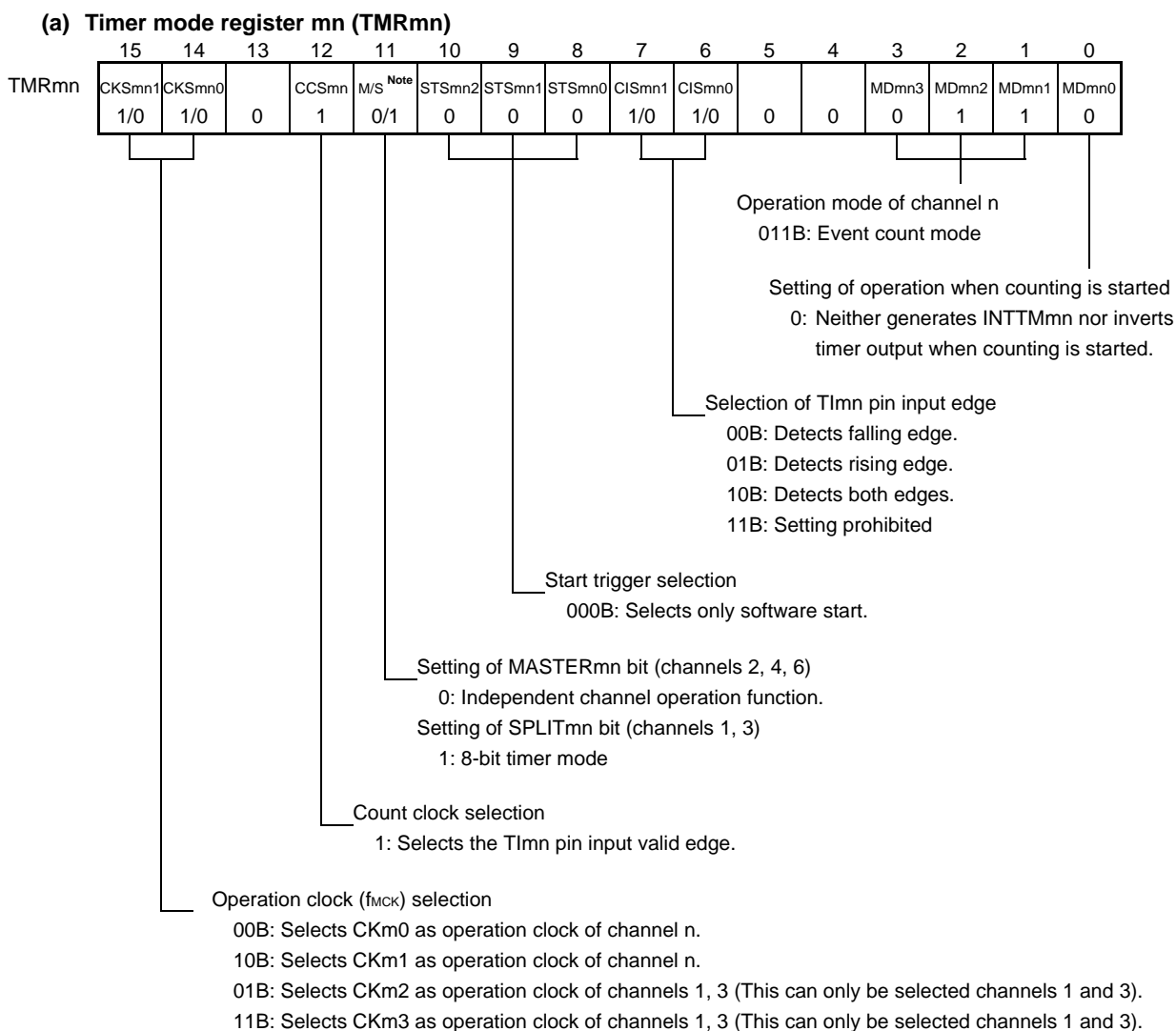
Remark m: Unit number (m = 0), n: Channel number (n = 0 to 7)

Figure 6-50. Example of Basic Timing of Operation as External Event Counter

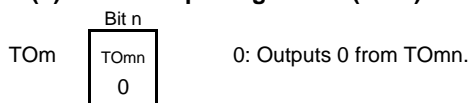


- Remarks**
1. m: Unit number (m = 0), n: Channel number (n = 0 to 7)
 2. TSmn: Bit n of timer channel start register m (TSm)
 - TE mn: Bit n of timer channel enable status register m (TEm)
 - TI mn: TI mn pin input signal
 - TCRmn: Timer count register mn (TCRmn)
 - TDRmn: Timer data register mn (TDRmn)

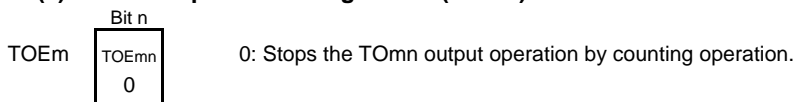
Figure 6-51. Example of Set Contents of Registers in External Event Counter Mode (1/2)



(b) Timer output register m (TOM)



(c) Timer output enable register m (TOEm)



Note TMRm2, TMRm4, TMRm6: MASTERmn bit
 TMRm1, TMRm3: SPLITmn bit
 TMRm0, TMRm5, TMRm7: Fixed to 0

Remark m: Unit number (m = 0), n: Channel number (n = 0 to 7)

Figure 6-51. Example of Set Contents of Registers in External Event Counter Mode (2/2)**(d) Timer output level register m (TOLm)**

TOLm

Bit n
TOLmn
0

 0: Cleared to 0 when TOMmn = 0 (master channel output mode).

(e) Timer output mode register m (TOMm)

TOMm

Bit n
TOMmn
0

 0: Sets master channel output mode.

Remark m: Unit number (m = 0), n: Channel number (n = 0 to 7)

Figure 6-52. Operation Procedure When External Event Counter Function Is Used

	Software Operation	Hardware Status
TAU default setting		Power-off status (Clock supply is stopped and writing to each register is disabled.)
	Sets the TAU0EN bit of peripheral enable register 0 (PER0) to 1.	Power-on status. Each channel stops operating. (Clock supply is started and writing to each register is enabled.)
	Sets timer clock select register m (TPSm). Determines clock frequencies of CKm0 to CKm3.	
Channel default setting	Sets timer mode register mn (TMRmn) (determines operation mode of channel). Sets number of counts to timer data register mn (TDRmn). Clears the TOEmn bit of timer output enable register m (TOEm) to 0.	Channel stops operating. (Clock is supplied and some power is consumed.)
Operation start	Sets the TSmn bit to 1. The TSmn bit automatically returns to 0 because it is a trigger bit.	TEmn = 1, and count operation starts. Value of the TDRmn register is loaded to timer count register mn (TCRmn) and detection of the TImn pin input edge is awaited.
During operation	Set value of the TDRmn register can be changed. Sets corresponding bit of noise filter enable register 1, 2 (NFEN1, NFEN2) to 1. The TCRmn register can always be read. The TSRmn register is not used. Set values of the TMRmn register, TOMmn, TOLmn, TOMn, and TOEmn bits cannot be changed.	Counter (TCRmn) counts down each time input edge of the TImn pin has been detected. When count value reaches 0000H, the value of the TDRmn register is loaded to the TCRmn register again, and the count operation is continued. By detecting TCRmn = 0000H, the INTTMmn output is generated. After that, the above operation is repeated.
Operation stop	The TTmn bit is set to 1. The TTmn bit automatically returns to 0 because it is a trigger bit.	TEmn = 0, and count operation stops. The TCRmn register holds count value and stops.
TAU stop	The TAU0EN bit of the PER0 register is cleared to 0.	Power-off status All circuits are initialized and SFR of each channel is also initialized.

Operation is resumed.

Remark m: Unit number (m = 0), n: Channel number (n = 0 to 7)

6.8.3 Operation as frequency divider (channel 0 only)

The timer array unit can be used as a frequency divider that divides a clock input to the TI00 pin and outputs the result from the TO00 pin.

The divided clock frequency output from TO00 can be calculated by the following expression.

- When rising edge/falling edge is selected:
Divided clock frequency = Input clock frequency / {(Set value of TDR00 + 1) × 2}
- When both edges are selected:
Divided clock frequency ≅ Input clock frequency / (Set value of TDR00 + 1)

Timer count register 00 (TCR00) operates as a down counter in the interval timer mode.

After the channel start trigger bit (TS00) of timer channel start register 0 (TS0) is set to 1, the TCR00 register loads the value of timer data register 00 (TDR00) when the TI00 valid edge is detected.

If the MD000 bit of timer mode register 00 (TMR00) is 0 at this time, INTTM00 is not output and TO00 is not toggled. If the MD000 bit of timer mode register 00 (TMR00) is 1, INTTM00 is output and TO00 is toggled.

After that, the TCR00 register counts down at the valid edge of the TI00 pin. When TCR00 = 0000H, it toggles TO00. At the same time, the TCR00 register loads the value of the TDR00 register again, and continues counting.

If detection of both the edges of the TI00 pin is selected, the duty factor error of the input clock affects the divided clock period of the TO00 output.

The period of the TO00 output clock includes a sampling error of one period of the operation clock.

$$\text{Clock period of TO00 output} = \text{Ideal TO00 output clock period} \pm \text{Operation clock period (error)}$$

The TDR00 register can be rewritten at any time. The new value of the TDR00 register becomes valid during the next count period.

Figure 6-53. Block Diagram of Operation as Frequency Divider

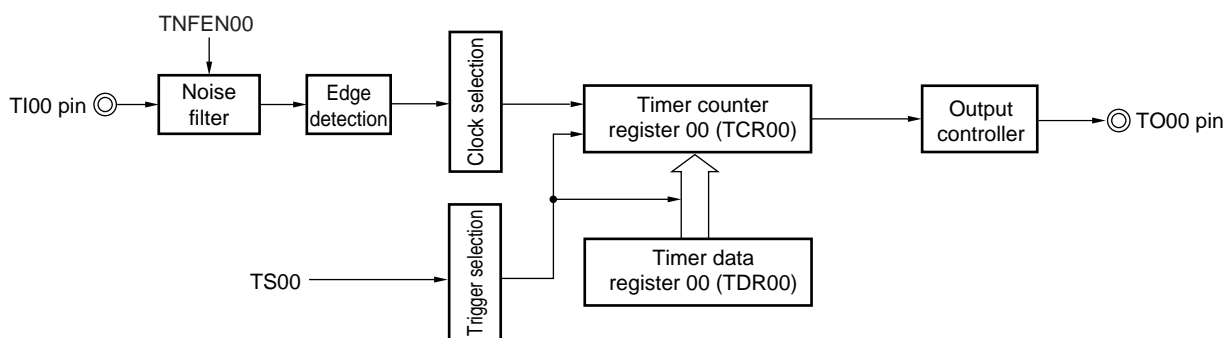
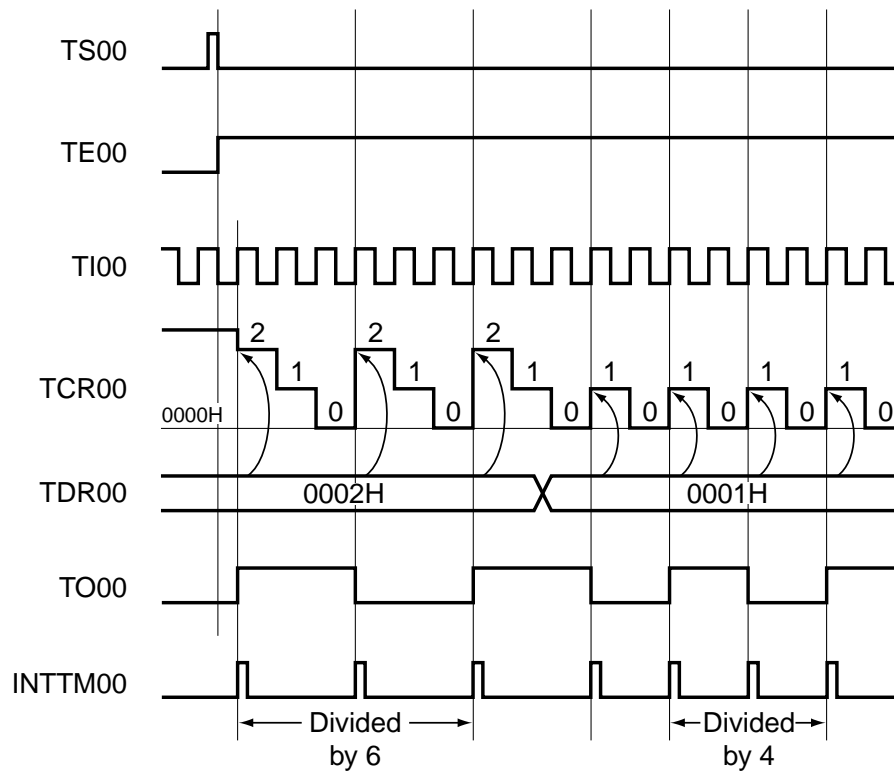
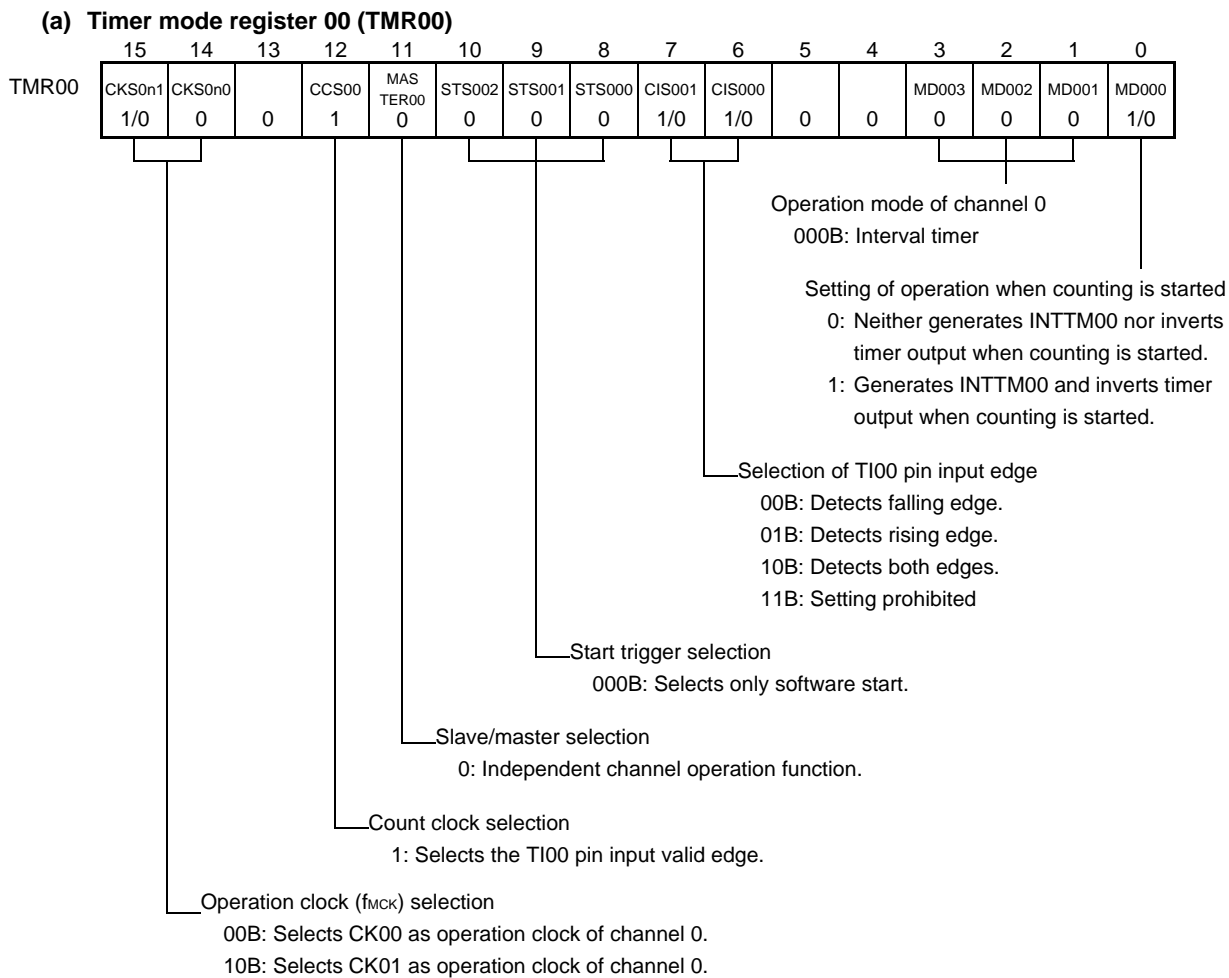


Figure 6-54. Example of Basic Timing of Operation as Frequency Divider (MD000 = 1)



- Remark**
- TS00: Bit n of timer channel start register 0 (TS0)
 - TE00: Bit n of timer channel enable status register 0 (TE0)
 - TI00: TI00 pin input signal
 - TCR00: Timer count register 00 (TCR00)
 - TDR00: Timer data register 00 (TDR00)
 - TO00: TO00 pin output signal

Figure 6-55. Example of Set Contents of Registers During Operation as Frequency Divider



(b) Timer output register 0 (TO0)

	Bit 0	
TO0	TO00	0: Outputs 0 from TO00.
	1/0	1: Outputs 1 from TO00.

(c) Timer output enable register 0 (TOE0)

	Bit 0	
TOE0	TOE00	0: Stops the TO00 output operation by counting operation.
	1/0	1: Enables the TO00 output operation by counting operation.

(d) Timer output level register 0 (TOL0)

	Bit 0	
TOL0	TOL00	0: Cleared to 0 when master channel output mode (TOM00 = 0)
	0	

(e) Timer output mode register 0 (TOM0)

	Bit 0	
TOM0	TOM00	0: Sets master channel output mode.
	0	

Figure 6-56. Operation Procedure When Frequency Divider Function Is Used

	Software Operation	Hardware Status
TAU default setting		Power-off status (Clock supply is stopped and writing to each register is disabled.)
	Sets the TAU0EN bit of peripheral enable register 0 (PER0) to 1.	Power-on status. Each channel stops operating. (Clock supply is started and writing to each register is enabled.)
	Sets timer clock select register 0 (TPS0). Determines clock frequencies of CK00 to CK03.	
Channel default setting	Sets timer mode register 0n (TMR0n) (determines operation mode of channel and selects the detection edge). Sets interval (period) value to timer data register 00 (TDR00).	Channel stops operating. (Clock is supplied and some power is consumed.)
	Clears the TOM00 bit of timer output mode register 0 (TOM0) to 0 (master channel output mode). Clears the TOL00 bit to 0. Sets the TO00 bit and determines default level of the TO00 output.	The TO00 pin goes into Hi-Z output state. The TO00 default setting level is output when the port mode register is in output mode and the port register is 0.
	Sets the TOE00 bit to 1 and enables operation of TO00. Clears the port register and port mode register to 0.	TO00 does not change because channel stops operating. The TO00 pin outputs the TO00 set level.
Operation start	Sets the TOE00 bit to 1 (only when operation is resumed). Sets the TS00 bit to 1. The TS00 bit automatically returns to 0 because it is a trigger bit.	TE00 = 1, and count operation starts. Value of the TDR00 register is loaded to timer count register 00 (TCR00) at the count clock input. INTTM00 is generated and TO00 performs toggle operation if the MD000 bit of the TMR00 register is 1.
During operation	Set value of the TDR00 register can be changed. Sets corresponding bit of noise filter enable register 1, 2 (NFEN1, NFEN2) to 1. The TCR00 register can always be read. The TSR00 register is not used. Set values of the TO0 and TOE0 registers can be changed. Set values of the TMR00 register, TOM00, and TOL00 bits cannot be changed.	Counter (TCR00) counts down. When count value reaches 0000H, the value of the TDR00 register is loaded to the TCR00 register again, and the count operation is continued. By detecting TCR00 = 0000H, INTTM00 is generated and TO00 performs toggle operation. After that, the above operation is repeated.
Operation stop	The TT00 bit is set to 1. The TT00 bit automatically returns to 0 because it is a trigger bit.	TE00 = 0, and count operation stops. The TCR00 register holds count value and stops. The TO00 output is not initialized but holds current status.
	The TOE00 bit is cleared to 0 and value is set to the TO00 bit.	The TO00 pin outputs the TO00 set level.
TAU stop	To hold the TO00 pin output level Clears the TO00 bit to 0 after the value to be held is set to the port register. When holding the TO00 pin output level is not necessary Setting not required.	The TO00 pin output level is held by port function.
	The TAU0EN bit of the PER0 register is cleared to 0.	Power-off status All circuits are initialized and SFR of each channel is also initialized. (The TO00 bit is cleared to 0 and the TO00 pin is set to port mode).

Operation is resumed.

6.8.4 Operation as input pulse interval measurement

<R> The count value can be captured at the Tl_{mn} valid edge and the interval of the pulse input to Tl_{mn} can be measured. In addition, the count value can be captured by using software operation (TS_{mn} = 1) as a capture trigger while the TE_{mn} bit is set to 1. The pulse interval can be calculated by the following expression.

$$\text{Tl}_{mn} \text{ input pulse interval} = \text{Period of count clock} \times ((10000\text{H} \times \text{TSR}_{mn}:\text{OVF}) + (\text{Capture value of TDR}_{mn} + 1))$$

Caution The Tl_{mn} pin input is sampled using the operating clock selected with the CKS_{mn} bit of timer mode register mn (TMR_{mn}), so an error of up to one operating clock cycle occurs.

Timer count register mn (TCR_{mn}) operates as an up counter in the capture mode.

When the channel start trigger bit (TS_{mn}) of timer channel start register m (TS_m) is set to 1, the TCR_{mn} register counts up from 0000H in synchronization with the count clock.

When the Tl_{mn} pin input valid edge is detected, the count value of the TCR_{mn} register is transferred (captured) to timer data register mn (TDR_{mn}) and, at the same time, the TCR_{mn} register is cleared to 0000H, and the INTT_{mn} is output. If the counter overflows at this time, the OVF bit of timer status register mn (TSR_{mn}) is set to 1. If the counter does not overflow, the OVF bit is cleared. After that, the above operation is repeated.

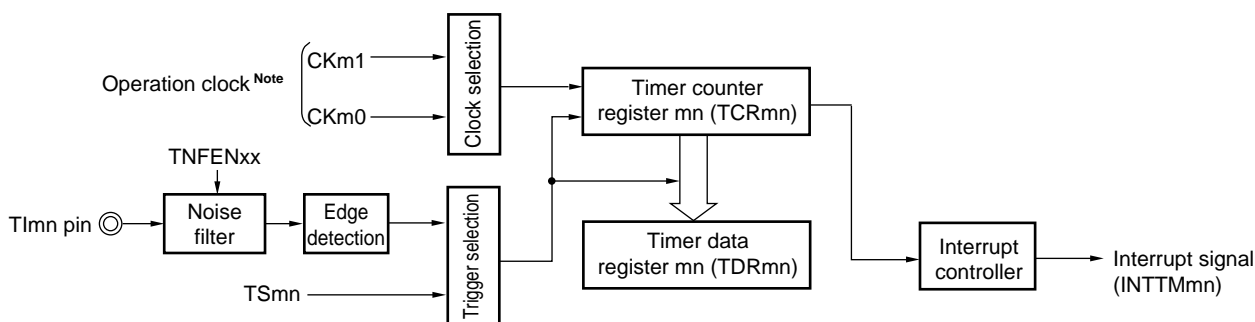
As soon as the count value has been captured to the TDR_{mn} register, the OVF bit of the TSR_{mn} register is updated depending on whether the counter overflows during the measurement period. Therefore, the overflow status of the captured value can be checked.

If the counter reaches a full count for two or more periods, it is judged to be an overflow occurrence, and the OVF bit of the TSR_{mn} register is set to 1. However, a normal interval value cannot be measured for the OVF bit, if two or more overflows occur.

Set the STS_{mn2} to STS_{mn0} bits of the TMR_{mn} register to 001B to use the valid edges of Tl_{mn} as a start trigger and a capture trigger.

When TE_{mn} = 1, a software operation (TS_{mn} = 1) can be used as a capture trigger, instead of using the Tl_{mn} pin input.

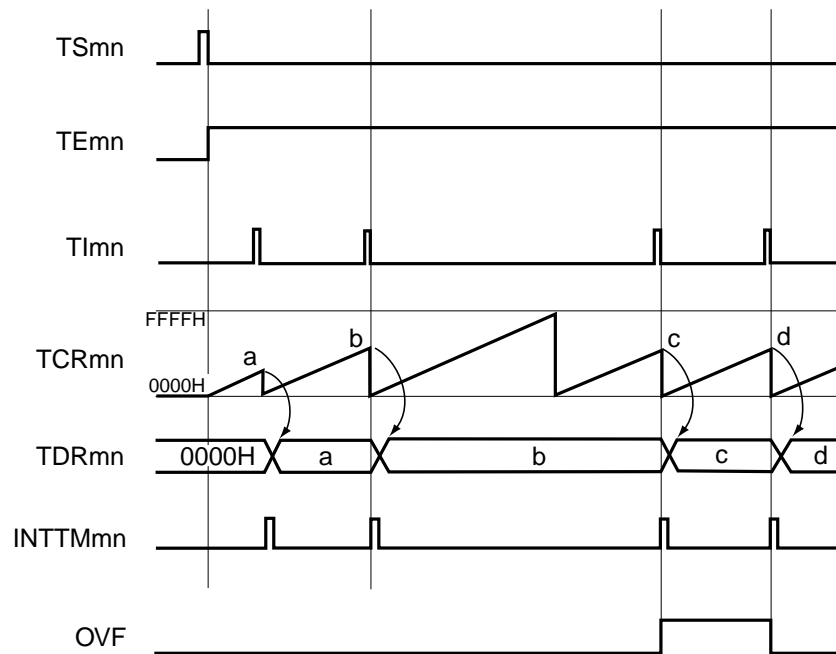
<R> **Figure 6-57. Block Diagram of Operation as Input Pulse Interval Measurement**



Note When channels 1 and 3, the clock can be selected from CK_{m0}, CK_{m1}, CK_{m2} and CK_{m3}.

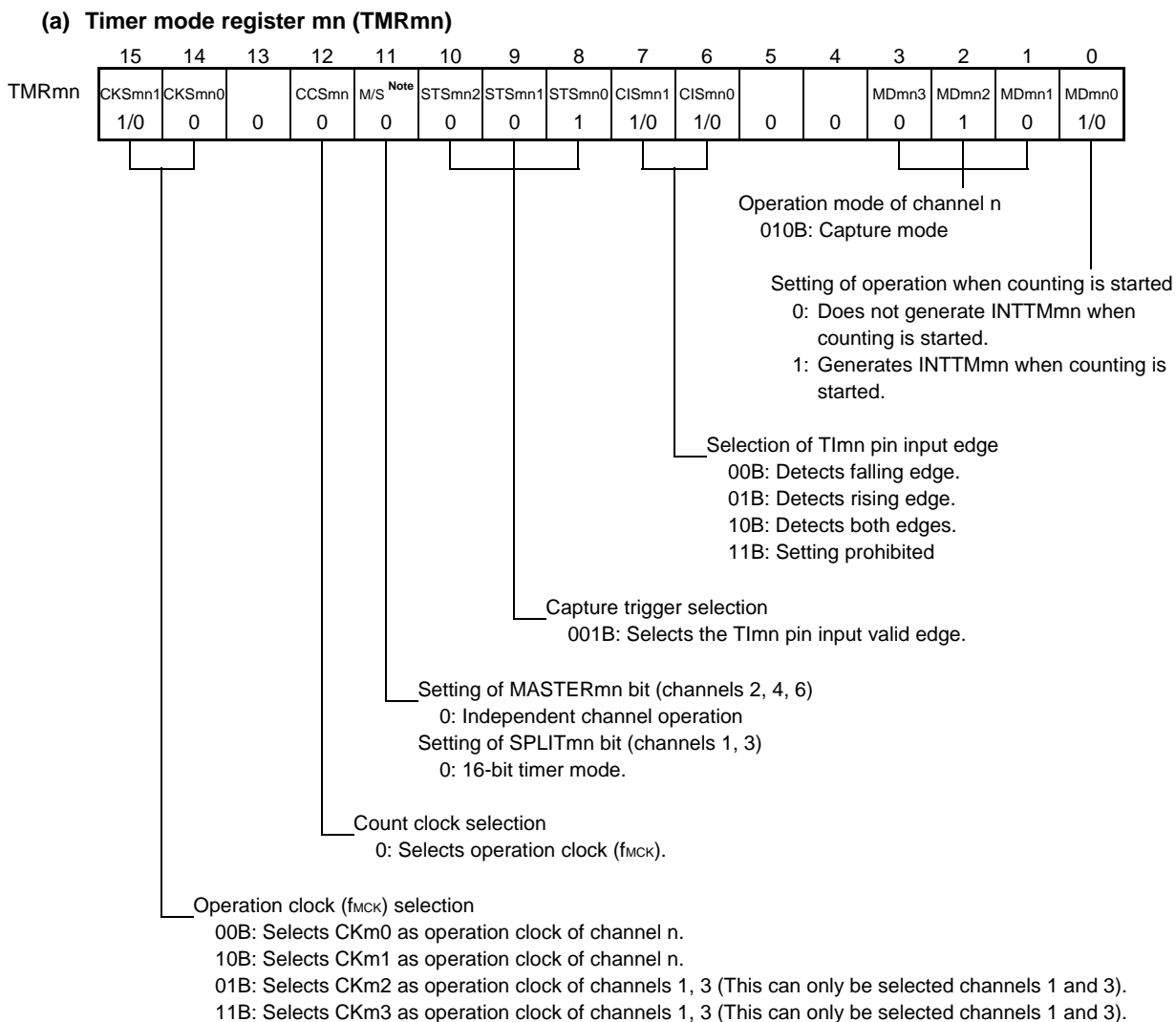
Remark m: Unit number (m = 0), n: Channel number (n = 0 to 7)

Figure 6-58. Example of Basic Timing of Operation as Input Pulse Interval Measurement (MDmn0 = 0)

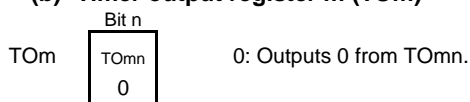


- Remarks**
1. m: Unit number (m = 0), n: Channel number (n = 0 to 7)
 2. TSmn: Bit n of timer channel start register m (TSM)
 - TE mn: Bit n of timer channel enable status register m (TEM)
 - TImn: TImn pin input signal
 - TCRmn: Timer count register mn (TCRmn)
 - TDRmn: Timer data register mn (TDRmn)
 - OVF: Bit 0 of timer status register mn (TSRmn)

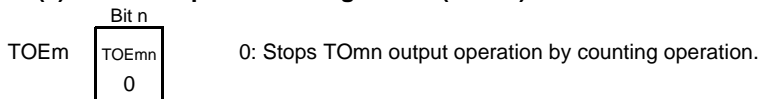
Figure 6-59. Example of Set Contents of Registers to Measure Input Pulse Interval



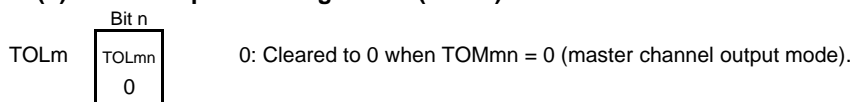
(b) Timer output register m (TOM)



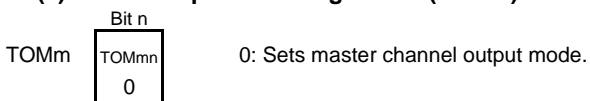
(c) Timer output enable register m (TOEm)



(d) Timer output level register m (TOLm)



(e) Timer output mode register m (TOMm)



Note TMRm2, TMRm4, TMRm6: MASTERmn bit
 TMRm1, TMRm3: SPLITmn bit
 TMRm0, TMRm5, TMRm7: Fixed to 0

Remark m: Unit number (m = 0), n: Channel number (n = 0 to 7)

<R> **Figure 6-60. Operation Procedure When Input Pulse Interval Measurement Function Is Used**

	Software Operation	Hardware Status
TAU default setting		Power-off status (Clock supply is stopped and writing to each register is disabled.)
	Sets the TAU0EN bit of peripheral enable register 0 (PER0) to 1.	Power-on status. Each channel stops operating. (Clock supply is started and writing to each register is enabled.)
	Sets timer clock select register m (TPSm). Determines clock frequencies of CKm0 to CKm3.	
Channel default setting	Sets the corresponding bit of the noise filter enable registers 1, 2 (NFEN1, NFEN2) to 0 (off) or 1 (on). Sets timer mode register mn (TMRmn) (determines operation mode of channel).	Channel stops operating. (Clock is supplied and some power is consumed.)
Operation start	Sets TSmn bit to 1. The TSmn bit automatically returns to 0 because it is a trigger bit.	TEmn = 1, and count operation starts. Timer count register mn (TCRmn) is cleared to 0000H at the count clock input. When the MDmn0 bit of the TMRmn register is 1, INTTMmn is generated.
During operation	Set values of only the CISmn1 and CISmn0 bits of the TMRmn register can be changed. The TDRmn register can always be read. The TCRmn register can always be read. The TSRmn register can always be read. Set values of the TOMmn, TOLmn, TOMn, and TOEmn bits cannot be changed.	Counter (TCRmn) counts up from 0000H. When the Timn pin input valid edge is detected, the count value is transferred (captured) to timer data register mn (TDRmn). At the same time, the TCRmn register is cleared to 0000H, and the INTTMmn signal is generated. If an overflow occurs at this time, the OVF bit of timer status register mn (TSRmn) is set; if an overflow does not occur, the OVF bit is cleared. After that, the above operation is repeated.
Operation stop	The TTmn bit is set to 1. The TTmn bit automatically returns to 0 because it is a trigger bit.	TEmn = 0, and count operation stops. The TCRmn register holds count value and stops. The OVF bit of the TSRmn register is also held.
TAU stop	The TAU0EN bit of the PER0 register is cleared to 0.	Power-off status All circuits are initialized and SFR of each channel is also initialized.

Operation is resumed.

Remark m: Unit number (m = 0), n: Channel number (n = 0 to 7)

6.8.5 Operation as input signal high-/low-level width measurement

Caution When using a channel to implement the LIN-bus, set bit 1 (ISC1) of the input switch control register (ISC) to 1. In the following descriptions, read TImn as RxD0.

By starting counting at one edge of the TImn pin input and capturing the number of counts at another edge, the signal width (high-level width/low-level width) of TImn can be measured. The signal width of TImn can be calculated by the following expression.

$$\text{Signal width of TImn input} = \text{Period of count clock} \times ((10000\text{H} \times \text{TSRmn: OVF}) + (\text{Capture value of TDRmn} + 1))$$

Caution The TImn pin input is sampled using the operating clock selected with the CKSmn bit of timer mode register mn (TMRmn), so an error equivalent to one operation clock occurs.

Timer count register mn (TCRmn) operates as an up counter in the capture & one-count mode.

When the channel start trigger bit (TSmn) of timer channel start register m (TSm) is set to 1, the TEmn bit is set to 1 and the TImn pin start edge detection wait status is set.

When the TImn pin input start edge (rising edge of the TImn pin input when the high-level width is to be measured) is detected, the counter counts up from 0000H in synchronization with the count clock. When the valid capture edge (falling edge of the TImn pin input when the high-level width is to be measured) is detected later, the count value is transferred to timer data register mn (TDRmn) and, at the same time, INTTMmn is output. If the counter overflows at this time, the OVF bit of timer status register mn (TSRmn) is set to 1. If the counter does not overflow, the OVF bit is cleared. The TCRmn register stops at the value "value transferred to the TDRmn register + 1", and the TImn pin start edge detection wait status is set. After that, the above operation is repeated.

As soon as the count value has been captured to the TDRmn register, the OVF bit of the TSRmn register is updated depending on whether the counter overflows during the measurement period. Therefore, the overflow status of the captured value can be checked.

If the counter reaches a full count for two or more periods, it is judged to be an overflow occurrence, and the OVF bit of the TSRmn register is set to 1. However, a normal interval value cannot be measured for the OVF bit, if two or more overflows occur.

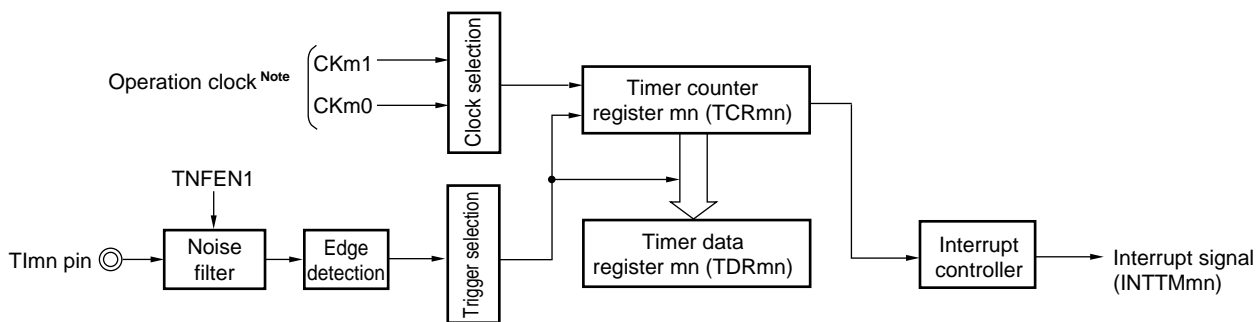
Whether the high-level width or low-level width of the TImn pin is to be measured can be selected by using the CISmn1 and CISmn0 bits of the TMRmn register.

Because this function is used to measure the signal width of the TImn pin input, the TSmn bit cannot be set to 1 while the TEmn bit is 1.

CISmn1, CISmn0 of TMRmn register = 10B: Low-level width is measured.

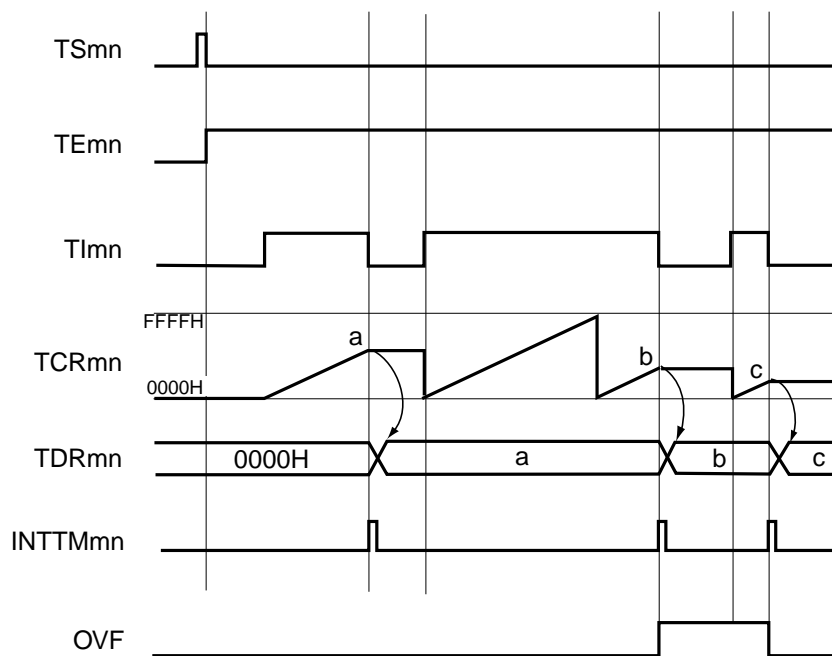
CISmn1, CISmn0 of TMRmn register = 11B: High-level width is measured.

<R> **Figure 6-61. Block Diagram of Operation as Input Signal High-/Low-Level Width Measurement**



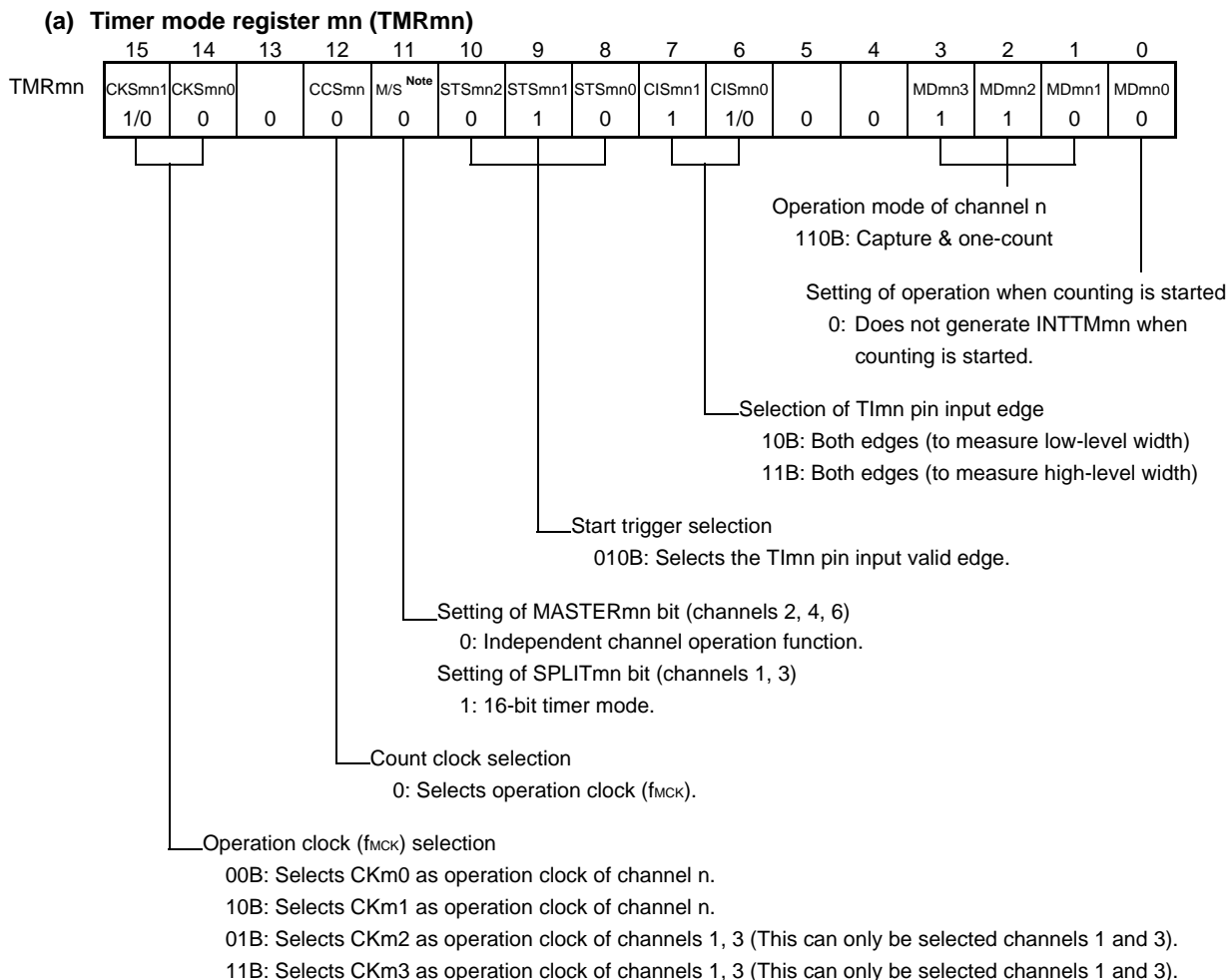
Note For channels 1 and 3, the clock can be selected from CKm0, CKm1, CKm2 and CKm3.

Figure 6-62. Example of Basic Timing of Operation as Input Signal High-/Low-Level Width Measurement

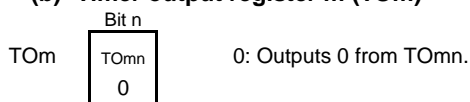


- Remarks**
1. m: Unit number (m = 0), n: Channel number (n = 0 to 7)
 2. TSmn: Bit n of timer channel start register m (TSm)
 - TE mn: Bit n of timer channel enable status register m (TEm)
 - TImn: TImn pin input signal
 - TCRmn: Timer count register mn (TCRmn)
 - TDRmn: Timer data register mn (TDRmn)
 - OVF: Bit 0 of timer status register mn (TSRmn)

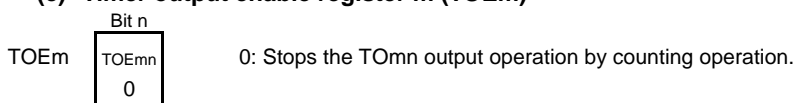
Figure 6-63. Example of Set Contents of Registers to Measure Input Signal High-/Low-Level Width



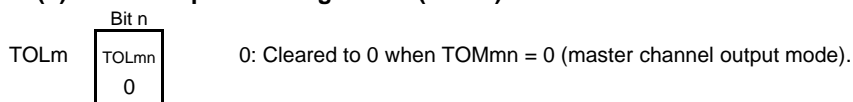
(b) Timer output register m (TOM)



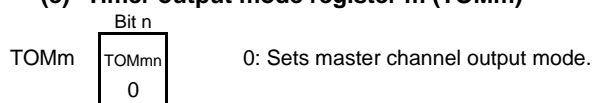
(c) Timer output enable register m (TOEm)



(d) Timer output level register m (TOLm)



(e) Timer output mode register m (TOMm)



Note TMRm2, TMRm4, TMRm6: MASTERmn bit
 TMRm1, TMRm3: SPLITmn bit
 TMRm0, TMRm5, TMRm7: Fixed to 0

Remark m: Unit number (m = 0), n: Channel number (n = 0 to 7)

<R> **Figure 6-64. Operation Procedure When Input Signal High-/Low-Level Width Measurement Function Is Used**

	Software Operation	Hardware Status
TAU default setting		Power-off status (Clock supply is stopped and writing to each register is disabled.)
	Sets the TAU0EN bit of peripheral enable register 0 (PER0) to 1.	Power-on status. Each channel stops operating. (Clock supply is started and writing to each register is enabled.)
	Sets timer clock select register m (TPSm). Determines clock frequencies of CKm0 to CKm3.	
Channel default setting	Sets the corresponding bit of the noise filter enable registers 1, 2 (NFEN1, NFEN2) to 0 (off) or 1 (on). Sets timer mode register mn (TMRmn) (determines operation mode of channel). Clears the TOEmn bit to 0 and stops operation of TOmn.	Channel stops operating. (Clock is supplied and some power is consumed.)
Operation start	Sets the TSmn bit to 1. The TSmn bit automatically returns to 0 because it is a trigger bit.	TEmn = 1, and the TImn pin start edge detection wait status is set.
	Detects the TImn pin input count start valid edge.	Clears timer count register mn (TCRmn) to 0000H and starts counting up.
During operation	Set value of the TDRmn register can be changed. The TCRmn register can always be read. The TSRmn register is not used. Set values of the TMRmn register, TOMmn, TOLmn, TOmn, and TOEmn bits cannot be changed.	When the TImn pin start edge is detected, the counter (TCRmn) counts up from 0000H. If a capture edge of the TImn pin is detected, the count value is transferred to timer data register mn (TDRmn) and INTTMmn is generated. If an overflow occurs at this time, the OVF bit of timer status register mn (TSRmn) is set; if an overflow does not occur, the OVF bit is cleared. The TCRmn register stops the count operation until the next TImn pin start edge is detected.
Operation stop	The TTmn bit is set to 1. The TTmn bit automatically returns to 0 because it is a trigger bit.	TEmn = 0, and count operation stops. The TCRmn register holds count value and stops. The OVF bit of the TSRmn register is also held.
TAU stop	The TAU0EN bit of the PER0 register is cleared to 0.	Power-off status All circuits are initialized and SFR of each channel is also initialized.

Operation is resumed.

Remark m: Unit number (m = 0), n: Channel number (n = 0 to 7)

6.8.6 Operation as delay counter

It is possible to start counting down when the valid edge of the TImn pin input is detected (an external event), and then generate INTTMmn (a timer interrupt) after any specified interval.

It can also generate INTTMmn (timer interrupt) at any interval by making a software set TSmn = 1 and the count down start during the period of TEMn = 1.

The interrupt generation period can be calculated by the following expression.

$$\text{Generation period of INTTMmn (timer interrupt)} = \text{Period of count clock} \times (\text{Set value of TDRmn} + 1)$$

Timer count register mn (TCRmn) operates as a down counter in the one-count mode.

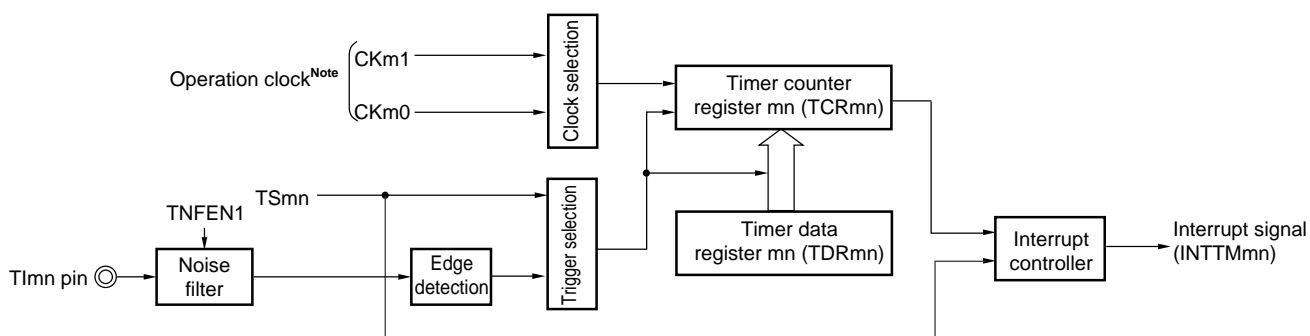
When the channel start trigger bit (TSmn, TSHm1, TSHm3) of timer channel start register m (TSM) is set to 1, the TEMn, TEHm1, TEHm3 bits are set to 1 and the TImn pin input valid edge detection wait status is set.

Timer count register mn (TCRmn) starts operating upon TImn pin input valid edge detection and loads the value of timer data register mn (TDRmn). The TCRmn register counts down from the value of the TDRmn register it has loaded, in synchronization with the count clock. When TCRmn = 0000H, it outputs INTTMmn and stops counting until the next TImn pin input valid edge is detected.

The TDRmn register can be rewritten at any time. The new value of the TDRmn register becomes valid from the next period.

<R>

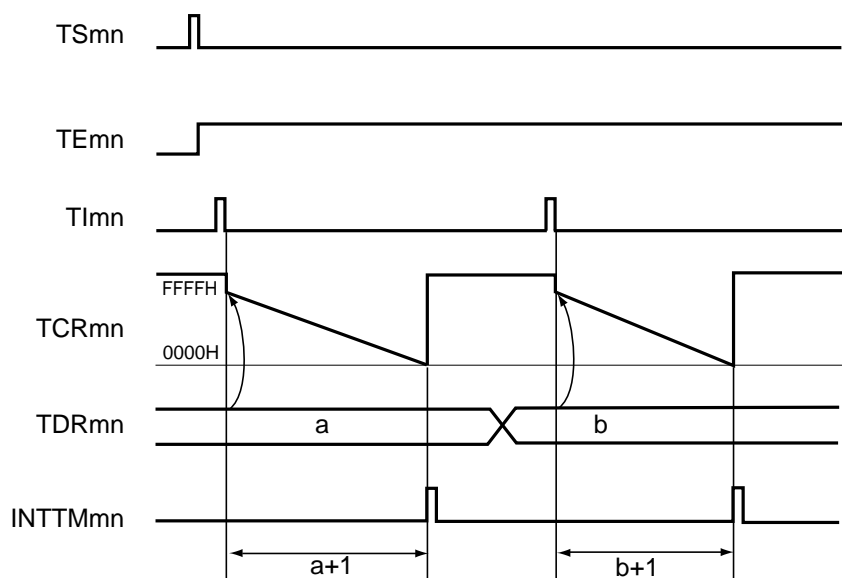
Figure 6-65. Block Diagram of Operation as Delay Counter



Note For using channels 1 and 3, the clock can be selected from CKm0, CKm1, CKm2 and CKm3.

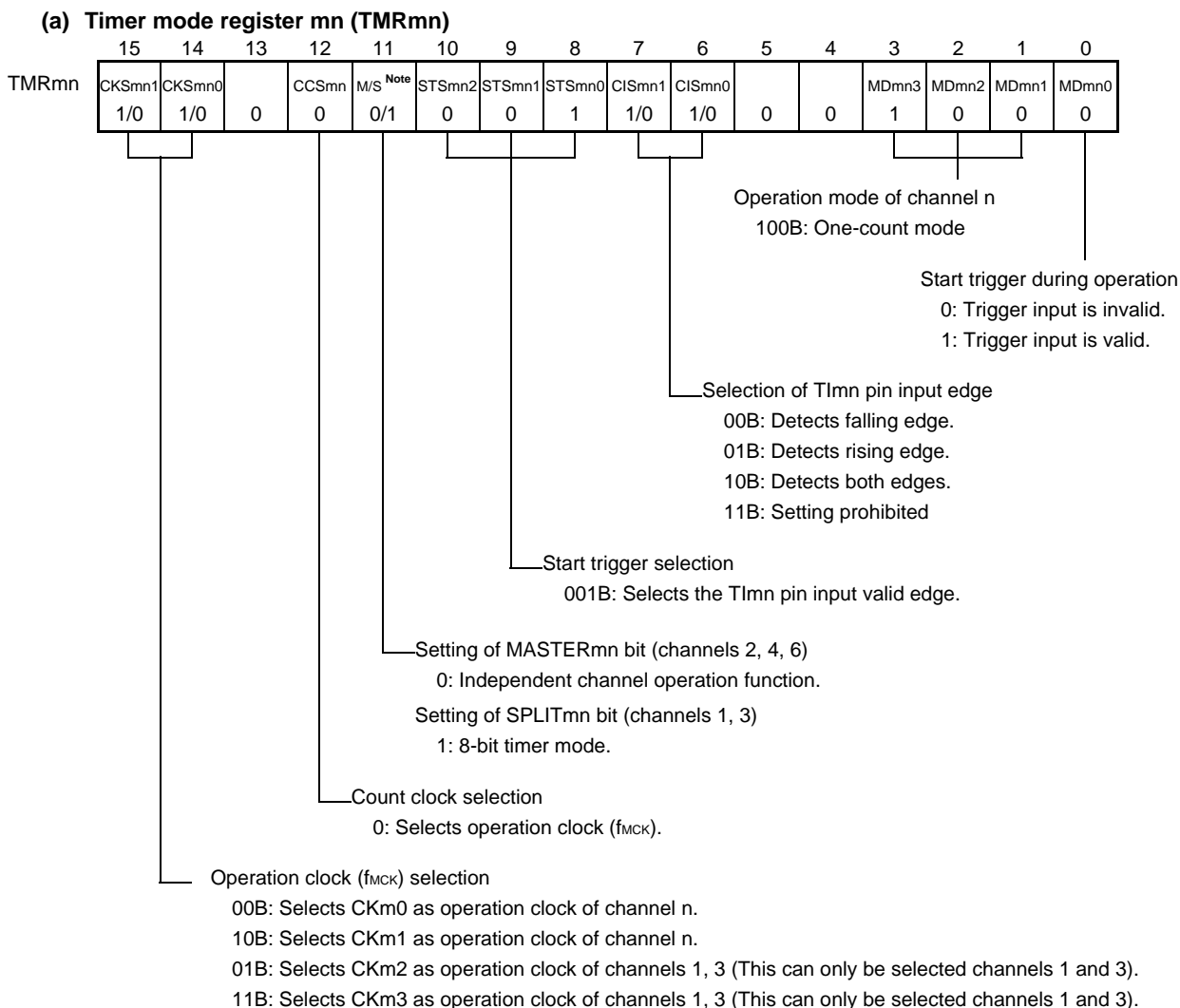
Remark m: Unit number (m = 0), n: Channel number (n = 0 to 7)

Figure 6-66. Example of Basic Timing of Operation as Delay Counter

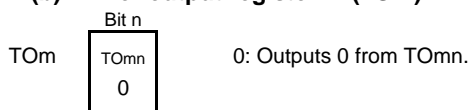


- Remarks**
1. m: Unit number (m = 0), n: Channel number (n = 0 to 7)
 2. TSmn: Bit n of timer channel start register m (TSm)
 - TE mn: Bit n of timer channel enable status register m (TEm)
 - TImn: TImn pin input signal
 - TCRmn: Timer count register mn (TCRmn)
 - TDRmn: Timer data register mn (TDRmn)

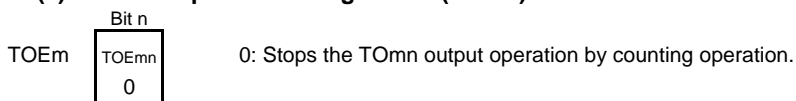
Figure 6-67. Example of Set Contents of Registers to Delay Counter (1/2)



(b) Timer output register m (TOM)



(c) Timer output enable register m (TOEm)



Note TMRm2, TMRm4, TMRm6: MASTERmn bit
 TMRm1, TMRm3: SPLITmn bit
 TMRm0, TMRm5, TMRm7: Fixed to 0

Remark m: Unit number (m = 0), n: Channel number (n = 0 to 7)

Figure 6-67. Example of Set Contents of Registers to Delay Counter (2/2)

(d) Timer output level register m (TOLm)

TOLm

Bit n
TOLmn
0

 0: Cleared to 0 when TOMmn = 0 (master channel output mode).

(e) Timer output mode register m (TOMm)

TOMm

Bit n
TOMmn
0

 0: Sets master channel output mode.

Remark m: Unit number (m = 0), n: Channel number (n = 0 to 7)

<R>

Figure 6-68. Operation Procedure When Delay Counter Function Is Used

	Software Operation	Hardware Status
TAU default setting		Power-off status (Clock supply is stopped and writing to each register is disabled.)
	Sets the TAU0EN bit of peripheral enable register 0 (PER0) to 1. →	Power-on status. Each channel stops operating. (Clock supply is started and writing to each register is enabled.)
	Sets timer clock select register m (TPSm). Determines clock frequencies of CKm0 to CKm3.	
Channel default setting	Sets the corresponding bit of the noise filter enable registers 1, 2 (NFEN1, NFEN2) to 0 (off) or 1 (on). Sets timer mode register mn (TMRmn) (determines operation mode of channel). INTTMmn output delay is set to timer data register mn (TDRmn). Clears the TOEmn bit to 0 and stops operation of TOmn.	Channel stops operating. (Clock is supplied and some power is consumed.)
Operation start	Sets the TSmn bit to 1. → The TSmn bit automatically returns to 0 because it is a trigger bit.	TEmn = 1, and the TImn pin input valid edge detection wait status is set.
	Detects the TImn pin input valid edge. →	Value of the TDRmn register is loaded to the timer count register mn (TCRmn).
During operation	Set value of the TDRmn register can be changed. The TCRmn register can always be read. The TSRmn register is not used.	The counter (TCRmn) counts down. When TCRmn counts down to 0000H, INTTMmn is output, and counting stops (which leaves TCRmn at 0000H) until the next TImn pin input.
Operation stop	The TTmn bit is set to 1. → The TTmn bit automatically returns to 0 because it is a trigger bit.	TEmn = 0, and count operation stops. The TCRmn register holds count value and stops.
TAU stop	The TAU0EN bit of the PER0 register is cleared to 0. →	Power-off status All circuits are initialized and SFR of each channel is also initialized.

Operation is resumed.

Remark m: Unit number (m = 0), n: Channel number (n = 0 to 7)

6.9 Simultaneous Channel Operation Function of Timer Array Unit

6.9.1 Operation as one-shot pulse output function

By using two channels as a set, a one-shot pulse having any delay pulse width can be generated from the signal input to the TImn pin.

The delay time and pulse width can be calculated by the following expressions.

$\text{Delay time} = \{\text{Set value of TDRmn (master)} + 2\} \times \text{Count clock period}$ $\text{Pulse width} = \{\text{Set value of TDRmp (slave)}\} \times \text{Count clock period}$

The master channel operates in the one-count mode and counts the delays. Timer count register mn (TCRmn) of the master channel starts operating upon start trigger detection and loads the value of timer data register mn (TDRmn).

The TCRmn register counts down from the value of the TDRmn register it has loaded, in synchronization with the count clock. When TCRmn = 0000H, it outputs INTTMmn and stops counting until the next start trigger is detected.

The slave channel operates in the one-count mode and counts the pulse width. The TCRmp register of the slave channel starts operation using INTTMmn of the master channel as a start trigger, and loads the value of the TDRmp register. The TCRmp register counts down from the value of the TDRmp register it has loaded, in synchronization with the count value. When count value = 0000H, it outputs INTTMmp and stops counting until the next start trigger (INTTMmn of the master channel) is detected. The output level of TOmp becomes active one count clock after generation of INTTMmn from the master channel, and inactive when TCRmp = 0000H.

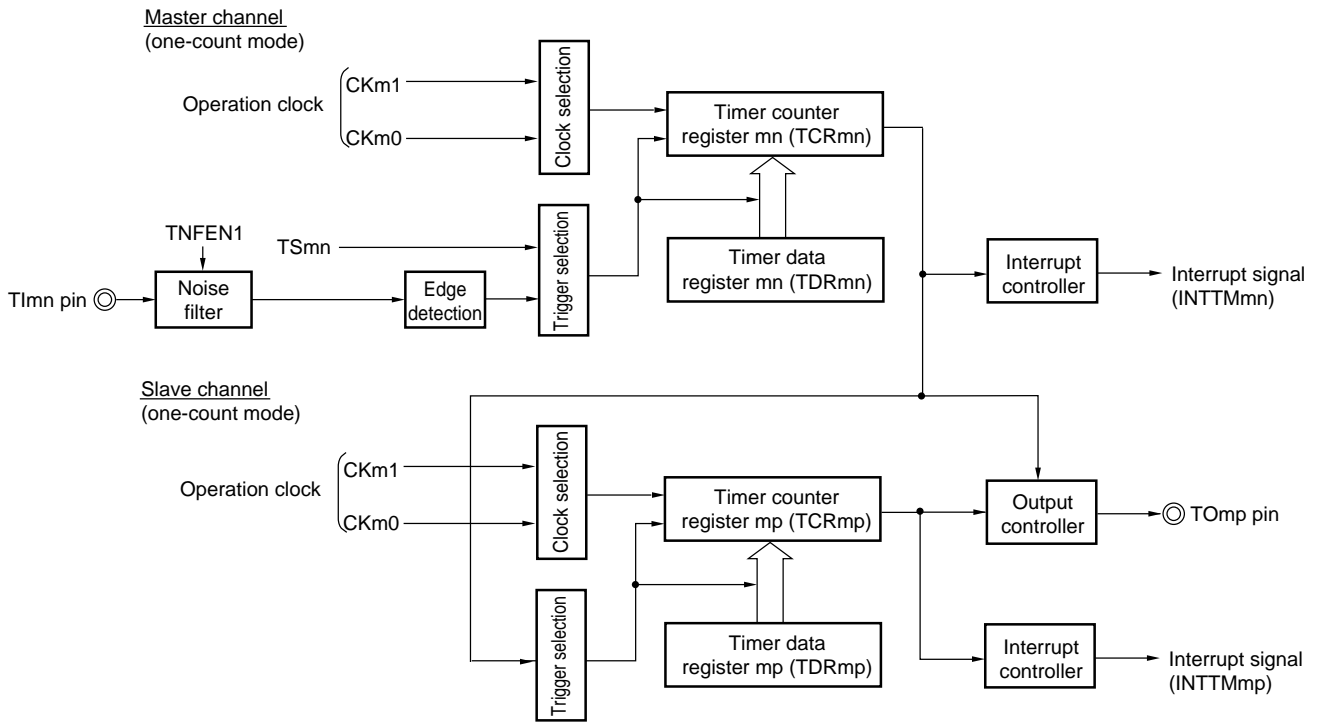
Instead of using the TImn pin input, a one-shot pulse can also be output using the software operation (TSmn = 1) as a start trigger.

Caution The timing of loading of timer data register mn (TDRmn) of the master channel is different from that of the TDRmp register of the slave channel. If the TDRmn and TDRmp registers are rewritten during operation, therefore, an illegal waveform is output. Rewrite the TDRmn register after INTTMmn is generated and the TDRmp register after INTTMmp is generated.

Remark m: Unit number (m = 0), n: Channel number (n = 0, 2, 4, 6)
p: Slave channel number (n < p ≤ 7)

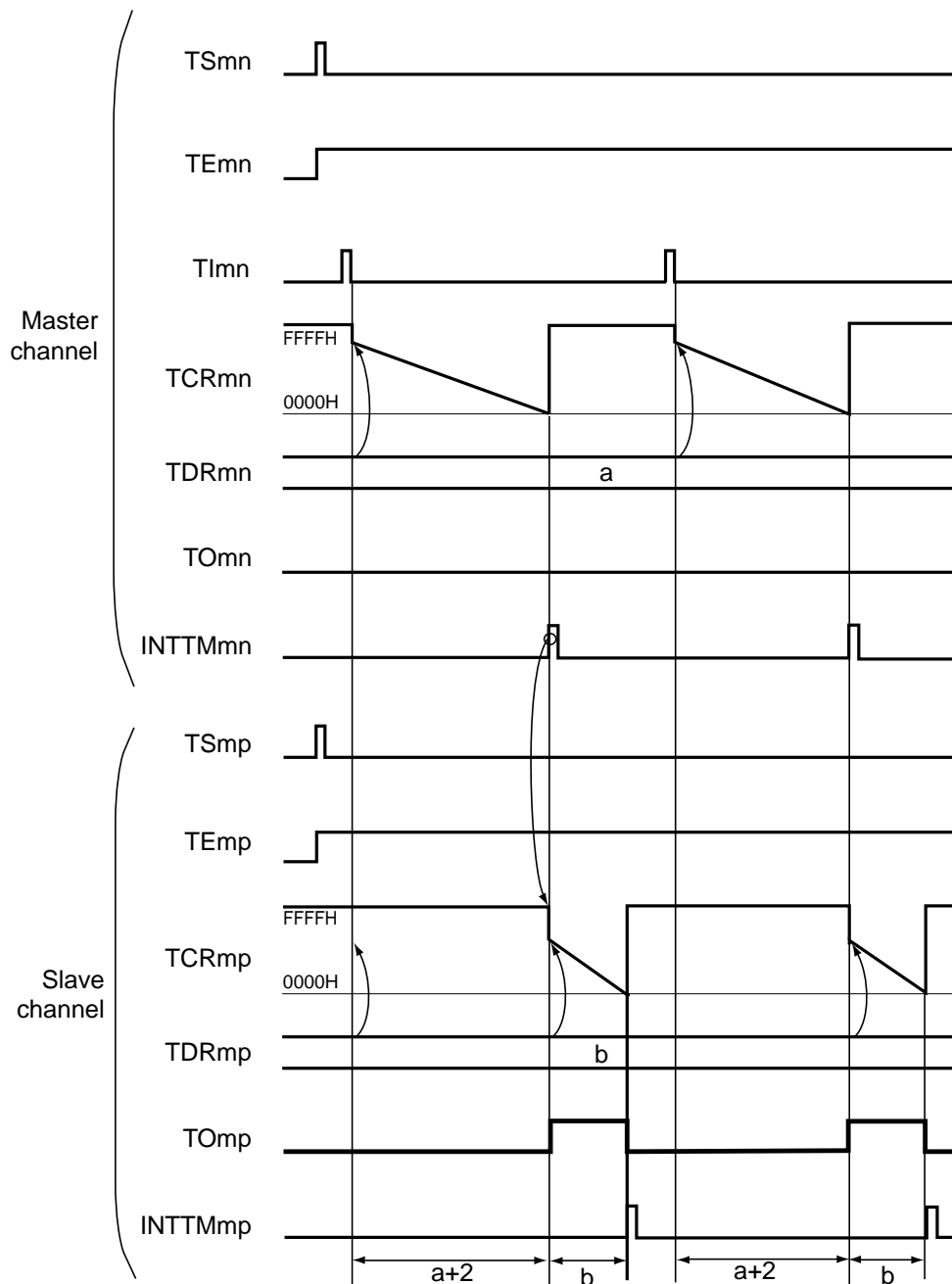
<R>

Figure 6-69. Block Diagram of Operation as One-Shot Pulse Output Function



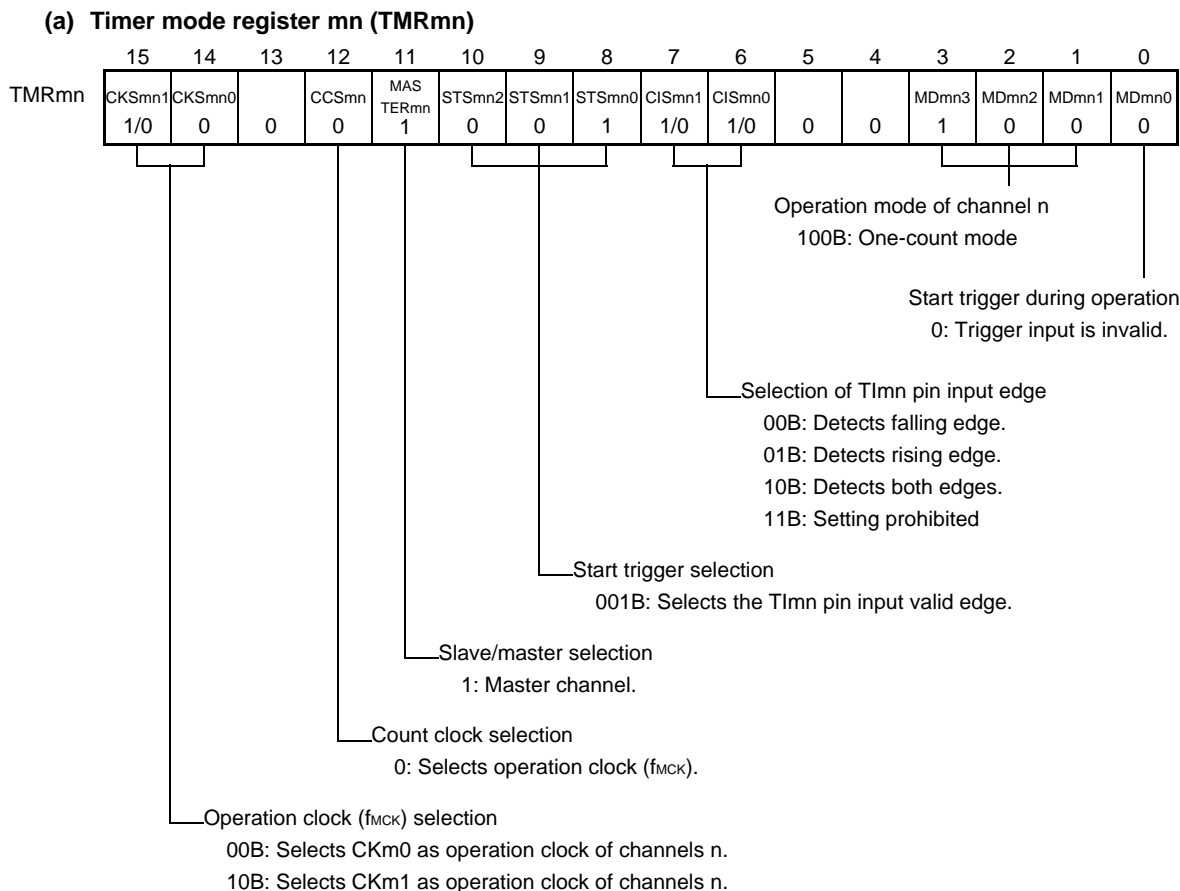
Remark m: Unit number ($m = 0$), n: Channel number ($n = 0, 2, 4, 6$)
 p: Slave channel number ($n < p \leq 7$)

Figure 6-70. Example of Basic Timing of Operation as One-Shot Pulse Output Function

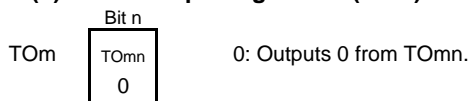


- Remarks**
1. m: Unit number (m = 0), n: Channel number (n = 0, 2, 4, 6)
 p: Slave channel number (n < p ≤ 7)
 2. TSmn, TSmp: Bit n, p of timer channel start register m (TSM)
 TEmn, TEmp: Bit n, p of timer channel enable status register m (TEM)
 TImn, TImp: TImn and TImp pins input signal
 TCRmn, TCRmp: Timer count registers mn, mp (TCRmn, TCRmp)
 TDRmn, TDRmp: Timer data registers mn, mp (TDRmn, TDRmp)
 TOmn, TOmp: TOmn and TOmp pins output signal

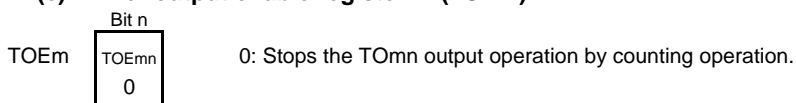
Figure 6-71. Example of Set Contents of Registers When One-Shot Pulse Output Function Is Used (Master Channel)



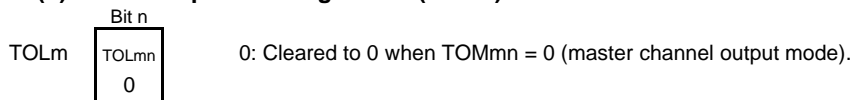
(b) Timer output register m (TOM)



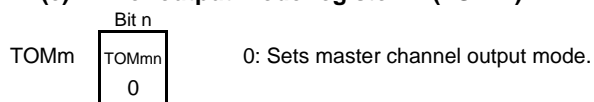
(c) Timer output enable register m (TOEm)



(d) Timer output level register m (TOLm)

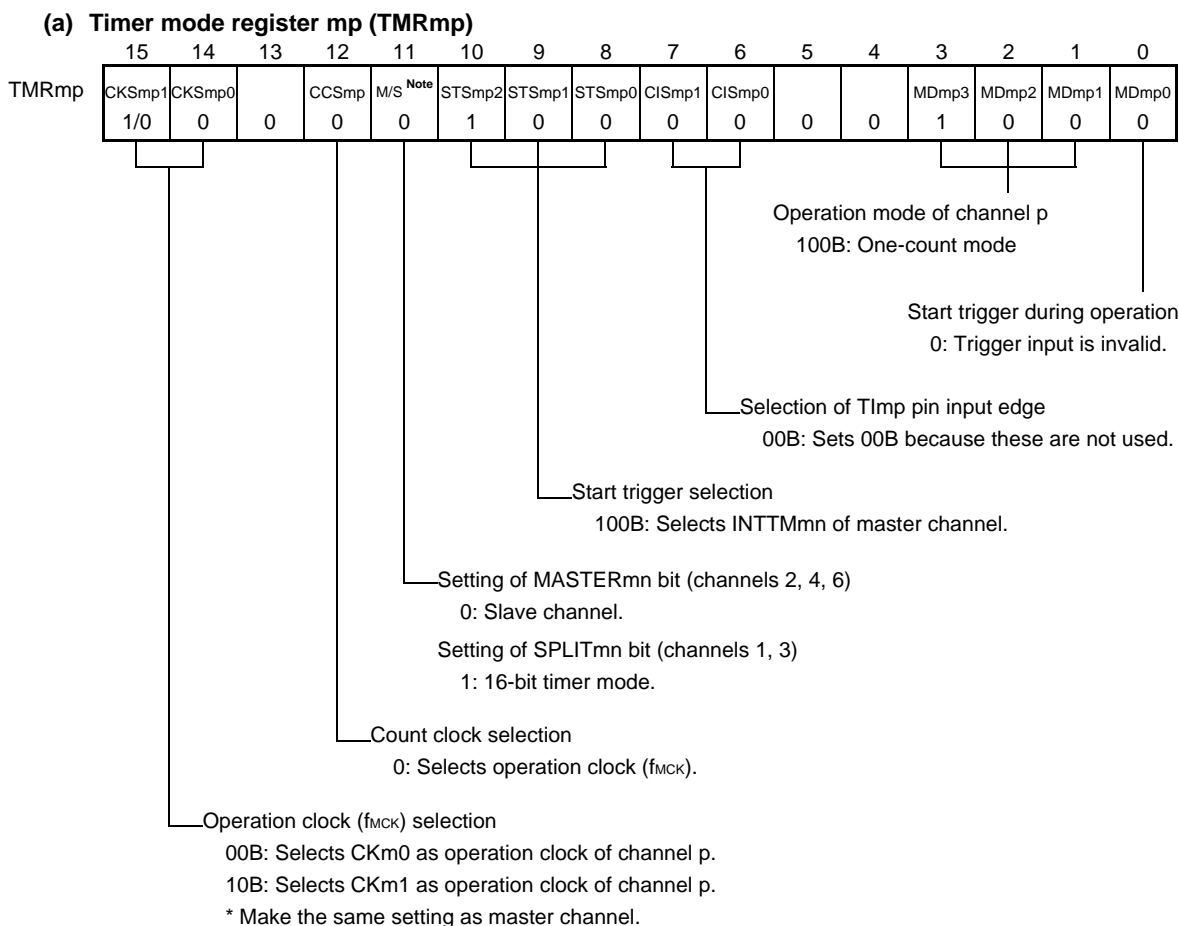


(e) Timer output mode register m (TOMm)

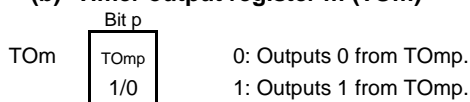


Remark m: Unit number (m = 0), n: Channel number (n = 0, 2, 4, 6)

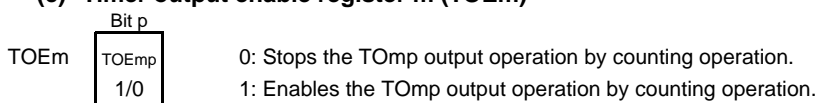
Figure 6-72. Example of Set Contents of Registers When One-Shot Pulse Output Function Is Used (Slave Channel)



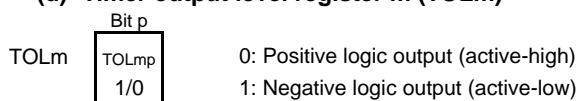
(b) Timer output register m (TOM)



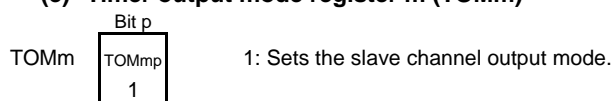
(c) Timer output enable register m (TOEm)



(d) Timer output level register m (TOLm)



(e) Timer output mode register m (TOMm)



Note TMRm2, TMRm4, TMRm6: MASTERmn bit
 TMRm1, TMRm3: SPLITmp bit
 TMRm5, TMRm7: Fixed to 0

Remark m: Unit number (m = 0), n: Channel number (n = 0, 2, 4, 6)
 p: Slave channel number (n < p ≤ 7)

<R>

Figure 6-73. Operation Procedure of One-Shot Pulse Output Function (1/2)

	Software Operation	Hardware Status
TAU default setting		Power-off status (Clock supply is stopped and writing to each register is disabled.)
	Sets the TAU0EN bit of peripheral enable registers 0 (PER0) to 1.	Power-on status. Each channel stops operating. (Clock supply is started and writing to each register is enabled.)
	Sets timer clock select register m (TPSm). Determines clock frequencies of CKm0 and CKm1.	
Channel default setting	Sets the corresponding bit of the noise filter enable registers 1, 2 (NFEN1, NFEN2) to 0 (off) or 1 (on). Sets timer mode register mn, mp (TMRmn, TMRmp) of two channels to be used (determines operation mode of channels). An output delay is set to timer data register mn (TDRmn) of the master channel, and a pulse width is set to the TDRmp register of the slave channel.	Channel stops operating. (Clock is supplied and some power is consumed.)
	Sets slave channel. The TOMmp bit of timer output mode register m (TOMm) is set to 1 (slave channel output mode). Sets the TOLmp bit. Sets the TOmp bit and determines default level of the TOmp output. Sets the TOEmp bit to 1 and enables operation of TOmp. Clears the port register and port mode register to 0.	The TOmp pin goes into Hi-Z output state. The TOmp default setting level is output when the port mode register is in output mode and the port register is 0. TOmp does not change because channel stops operating. The TOmp pin outputs the TOmp set level.

(Remark is listed on the next page.)

<R>

Figure 6-73. Operation Procedure of One-Shot Pulse Output Function (2/2)

	Software Operation	Hardware Status
Operation start	<p>Sets the TOEmp bit (slave) to 1 (only when operation is resumed).</p> <p>The TSmn (master) and TSmp (slave) bits of timer channel start register m (TSM) are set to 1 at the same time.</p> <p>The TSmn and TSmp bits automatically return to 0 because they are trigger bits.</p>	<p>The TEMn and TEm bits are set to 1 and the master channel enters the TImn input edge detection wait status. Counter stops operating.</p>
	<p>Count operation of the master channel is started by start-trigger detection of the master channel.</p> <ul style="list-style-type: none"> • Detects the TImn pin input valid edge. • Sets the TSmn bit of the master channel to 1 by software ^{Note}. <p>Note Do not set the TSmn bit of the slave channel to 1.</p>	<p>Master channel starts counting.</p>
During operation	<p>Set values of only the CISmn1 and CISmn0 bits of the TMRmn register can be changed.</p> <p>Sets corresponding bit of noisefilter enable register 1, 2 (NFEN1, NFEN2) to 1.</p> <p>Set values of the TMRmp, TDRmn, TDRmp registers, TOMmn, TOMmp, TOLmn, and TOLmp bits cannot be changed.</p> <p>The TCRmn and TCRmp registers can always be read.</p> <p>The TSRmn and TSRmp registers are not used.</p> <p>Set values of the TOM and TOEm registers by slave channel can be changed.</p>	<p>Master channel loads the value of the TDRmn register to timer count register mn (TCRmn) when the TImn pin valid input edge is detected, and the counter starts counting down. When the count value reaches TCRmn = 0000H, the INTTMmn output is generated, and the counter stops until the next valid edge is input to the TImn pin.</p> <p>The slave channel, triggered by INTTMmn of the master channel, loads the value of the TDRmp register to the TCRmp register, and the counter starts counting down.</p> <p>The output level of TOmp becomes active one count clock after generation of INTTMmn from the master channel. It becomes inactive when TCRmp = 0000H, and the counting operation is stopped.</p> <p>After that, the above operation is repeated.</p>
Operation stop	<p>The TTmn (master) and TTmp (slave) bits are set to 1 at the same time.</p> <p>The TTmn and TTmp bits automatically return to 0 because they are trigger bits.</p>	<p>TEMn, TEm = 0, and count operation stops.</p> <p>The TCRmn and TCRmp registers hold count value and stop.</p> <p>The TOmp output is not initialized but holds current status.</p>
	<p>The TOEmp bit of slave channel is cleared to 0 and value is set to the TOmp bit.</p>	<p>The TOmp pin outputs the TOmp set level.</p>
TAU stop	<p>To hold the TOmp pin output level</p> <p>Clears the TOmp bit to 0 after the value to be held is set to the port register.</p> <p>When holding the TOmp pin output level is not necessary</p> <p>Setting not required.</p>	<p>The TOmp pin output level is held by port function.</p>
	<p>The TAU0EN bit of the PER0 register is cleared to 0.</p>	<p>Power-off status</p> <p>All circuits are initialized and SFR of each channel is also initialized.</p> <p>(The TOmp bit is cleared to 0 and the TOmp pin is set to port mode.)</p>

Operation is resumed.

Remark m: Unit number (m = 0), n: Channel number (n = 0, 2, 4, 6)
 p: Slave channel number (n < p ≤ 7)

6.9.2 Operation as PWM function

Two channels can be used as a set to generate a pulse of any period and duty factor.

The period and duty factor of the output pulse can be calculated by the following expressions.

$$\begin{aligned} \text{Pulse period} &= \{\text{Set value of TDRmn (master)} + 1\} \times \text{Count clock period} \\ \text{Duty factor [\%]} &= \{\text{Set value of TDRmp (slave)}\} / \{\text{Set value of TDRmn (master)} + 1\} \times 100 \\ \text{0\% output:} & \quad \text{Set value of TDRmp (slave)} = 0000\text{H} \\ \text{100\% output:} & \quad \text{Set value of TDRmp (slave)} \geq \{\text{Set value of TDRmn (master)} + 1\} \end{aligned}$$

Remark The duty factor exceeds 100% if the set value of TDRmp (slave) > (set value of TDRmn (master) + 1), it summarizes to 100% output.

The master channel operates in the interval timer mode. If the channel start trigger bit (TSmn) of timer channel start register m (TSM) is set to 1, an interrupt (INTTMmn) is output, the value set to timer data register mn (TDRmn) is loaded to timer count register mn (TCRmn), and the counter counts down in synchronization with the count clock. When the counter reaches 0000H, INTTMmn is output, the value of the TDRmn register is loaded again to the TCRmn register, and the counter counts down. This operation is repeated until the channel stop trigger bit (TTmn) of timer channel stop register m (TTM) is set to 1.

If two channels are used to output a PWM waveform, the period until the master channel counts down to 0000H is the PWM output (TOmp) cycle.

The slave channel operates in one-count mode. By using INTTMmn from the master channel as a start trigger, the TCRmp register loads the value of the TDRmp register and the counter counts down to 0000H. When the counter reaches 0000H, it outputs INTTMmp and waits until the next start trigger (INTTMmn from the master channel) is generated.

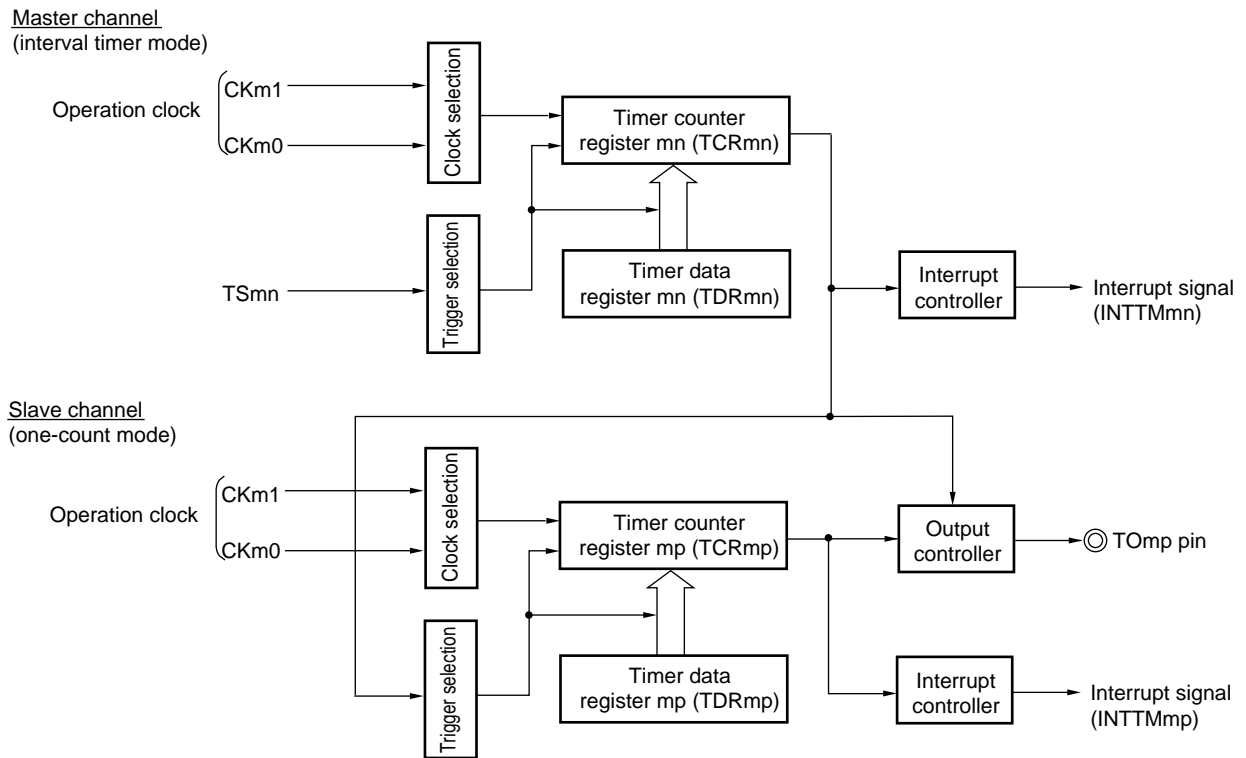
If two channels are used to output a PWM waveform, the period until the slave channel counts down to 0000H is the PWM output (TOmp) duty.

PWM output (TOmp) goes to the active level one clock after the master channel generates INTTMmn and goes to the inactive level when the TCRmp register of the slave channel becomes 0000H.

Caution To rewrite both timer data register mn (TDRmn) of the master channel and the TDRmp register of the slave channel, a write access is necessary two times. The timing at which the values of the TDRmn and TDRmp registers are loaded to the TCRmn and TCRmp registers is upon occurrence of INTTMmn of the master channel. Thus, when rewriting is performed split before and after occurrence of INTTMmn of the master channel, the TOmp pin cannot output the expected waveform. To rewrite both the TDRmn register of the master and the TDRmp register of the slave, therefore, be sure to rewrite both the registers immediately after INTTMmn is generated from the master channel.

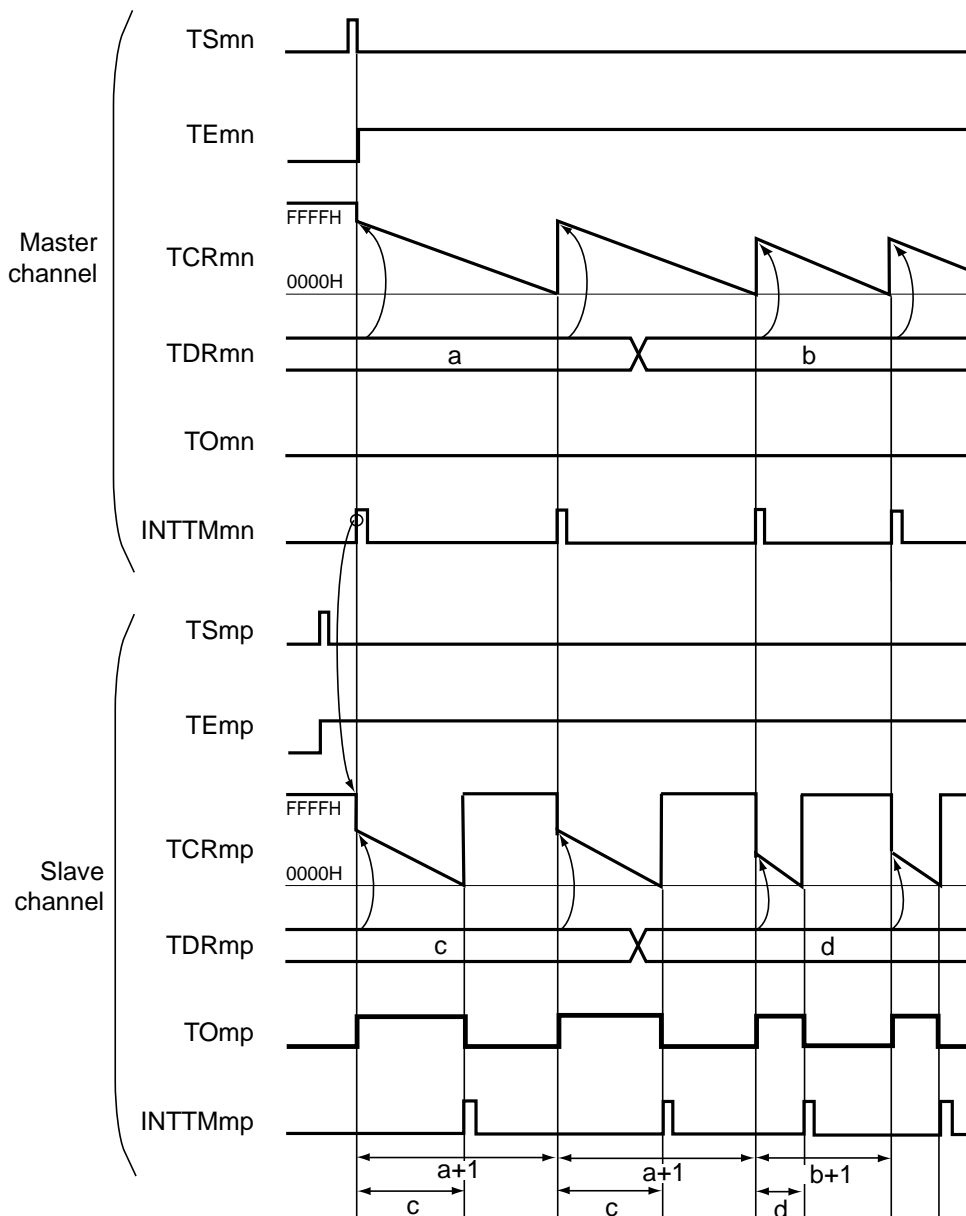
Remark m: Unit number (m = 0), n: Channel number (n = 0, 2, 4, 6)
p: Slave channel number (n < p ≤ 7)

Figure 6-74. Block Diagram of Operation as PWM Function



Remark m: Unit number (m = 0), n: Channel number (n = 0, 2, 4, 6)
 p: Slave channel number (n < p ≤ 7)

Figure 6-75. Example of Basic Timing of Operation as PWM Function

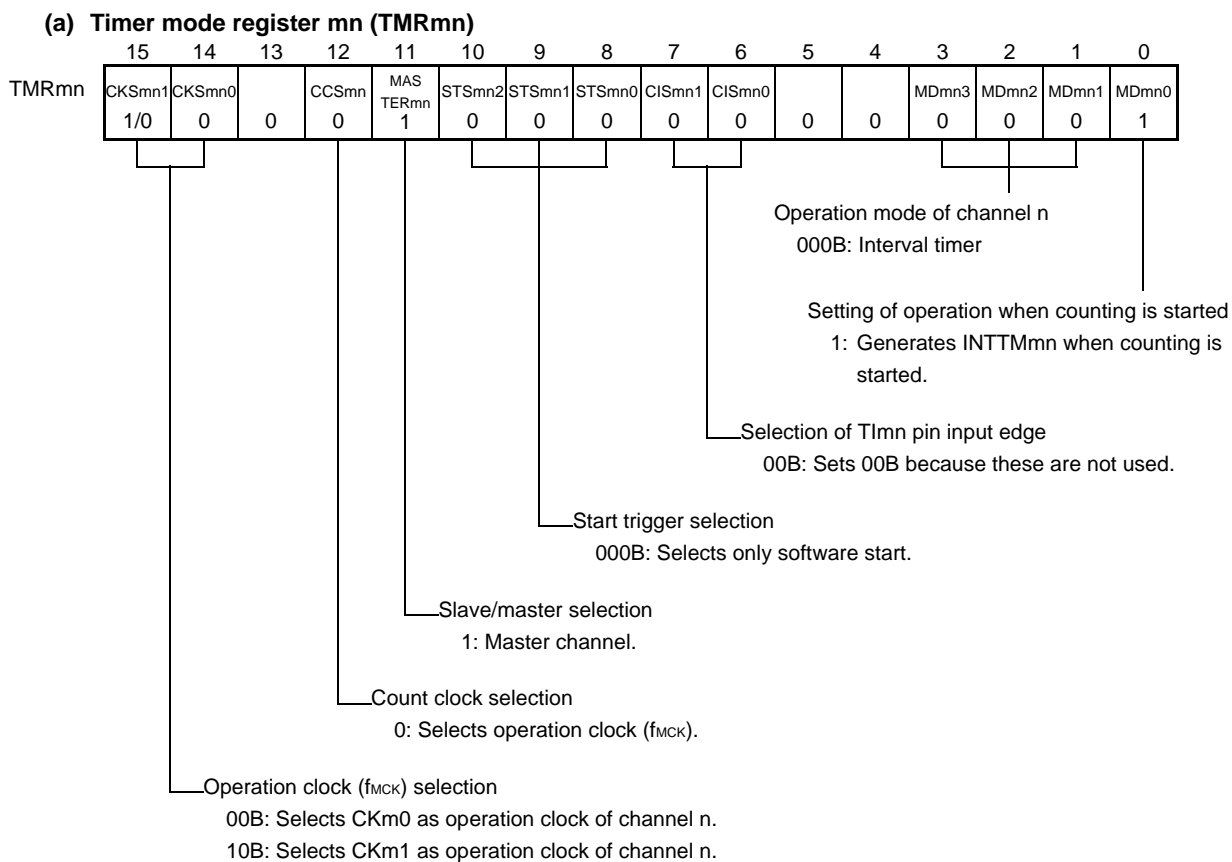


Remark 1. m: Unit number (m = 0, n: Channel number (n = 0, 2, 4, 6)

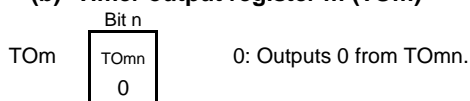
p: Slave channel number (n < p ≤ 7)

- 2. TSmn, TSmp: Bit n, p of timer channel start register m (TSm)
- TEmn, TEmp: Bit n, p of timer channel enable status register m (TEm)
- TCRmn, TCRmp: Timer count registers mn, mp (TCRmn, TCRmp)
- TDRmn, TDRmp: Timer data registers mn, mp (TDRmn, TDRmp)
- TOmn, TOmp: TOmn and TOmp pins output signal

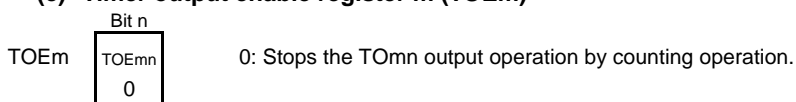
Figure 6-76. Example of Set Contents of Registers When PWM Function (Master Channel) Is Used



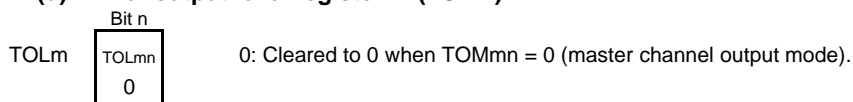
(b) Timer output register m (TOM)



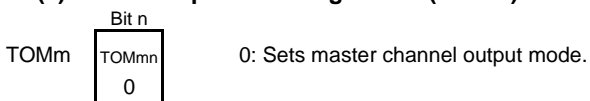
(c) Timer output enable register m (TOEm)



(d) Timer output level register m (TOLm)

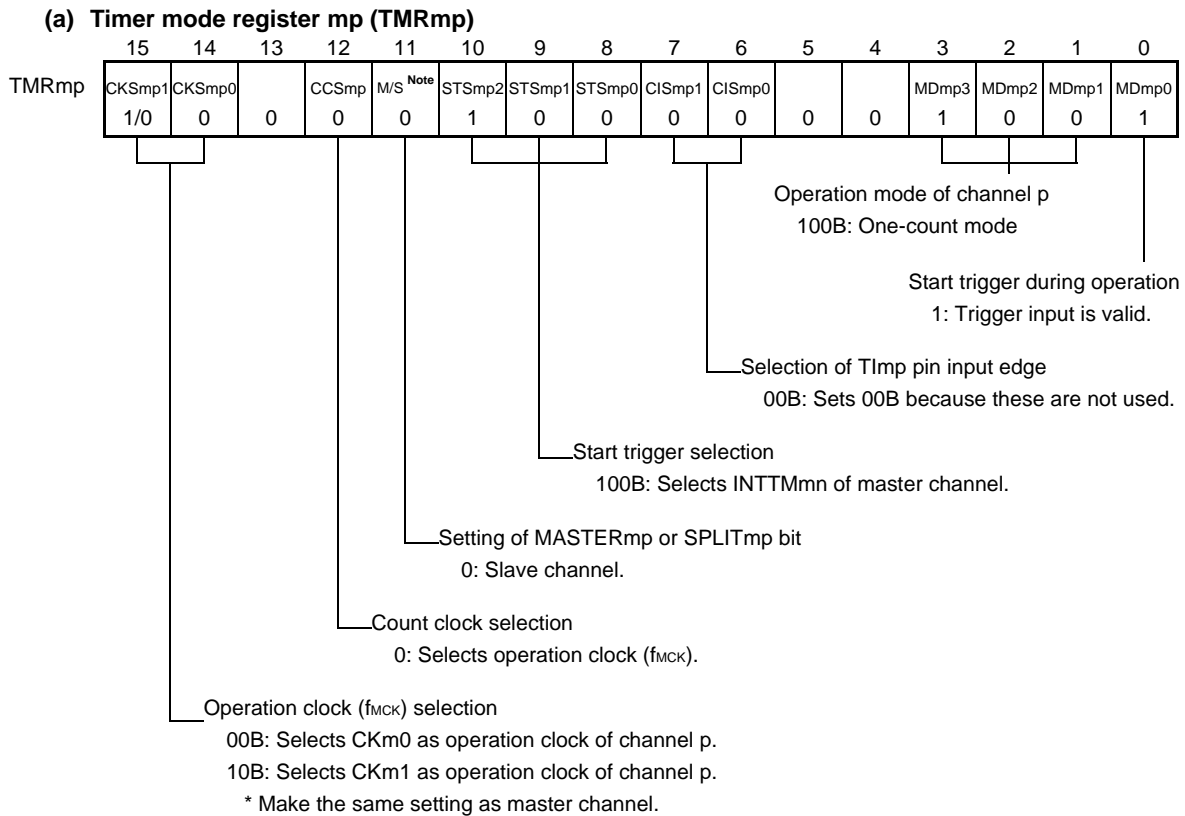


(e) Timer output mode register m (TOMm)

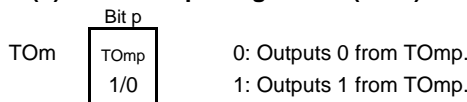


Remark m: Unit number (m = 0), n: Channel number (n = 0, 2, 4, 6)

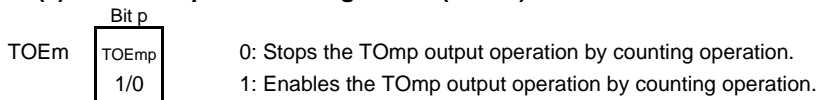
Figure 6-77. Example of Set Contents of Registers When PWM Function (Slave Channel) Is Used



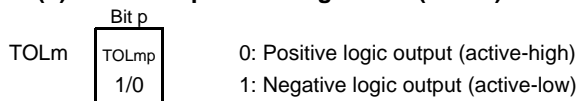
(b) Timer output register m (TOM)



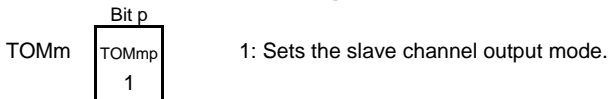
(c) Timer output enable register m (TOEm)



(d) Timer output level register m (TOLm)



(e) Timer output mode register m (TOMm)



Note TMRm5, TMRm7: Fixed to 0
TMRm1, TMRm3: SPLITmp bit

Remark m: Unit number (m = 0), n: Channel number (n = 0, 2, 4, 6)
p: Slave channel number (n < p ≤ 7)

Figure 6-78. Operation Procedure When PWM Function Is Used (1/2)

	Software Operation	Hardware Status
TAU default setting		Power-off status (Clock supply is stopped and writing to each register is disabled.)
	Sets the TAU0EN bit of peripheral enable register 0 (PER0) to 1. →	Power-on status. Each channel stops operating. (Clock supply is started and writing to each register is enabled.)
	Sets timer clock select register m (TPSm). Determines clock frequencies of CKm0 and CKm1.	
Channel default setting	Sets timer mode registers mn, mp (TMRmn, TMRmp) of two channels to be used (determines operation mode of channels). An interval (period) value is set to timer data register mn (TDRmn) of the master channel, and a duty factor is set to the TDRmp register of the slave channel.	Channel stops operating. (Clock is supplied and some power is consumed.)
	Sets slave channel. The TOMmp bit of timer output mode register m (TOMm) is set to 1 (slave channel output mode). Sets the TOLmp bit. Sets the TOmp bit and determines default level of the TOmp output. →	The TOmp pin goes into Hi-Z output state.
	Sets the TOEmp bit to 1 and enables operation of TOmp. → Clears the port register and port mode register to 0. →	The TOmp default setting level is output when the port mode register is in output mode and the port register is 0. TOmp does not change because channel stops operating. The TOmp pin outputs the TOmp set level.

(Remark is listed on the next page.)

Figure 6-78. Operation Procedure When PWM Function Is Used (2/2)

	Software Operation	Hardware Status
Operation is resumed.	Operation start Sets the TOEmp bit (slave) to 1 (only when operation is resumed). The TSmn (master) and TSmp (slave) bits of timer channel start register m (TSM) are set to 1 at the same time. The TSmn and TSmp bits automatically return to 0 because they are trigger bits.	TEMn = 1, TEmP = 1 When the master channel starts counting, INTTMmn is generated. Triggered by this interrupt, the slave channel also starts counting.
	During operation Set values of the TMRmn and TMRmp registers, TOMmn, TOMmp, TOLmn, and TOLmp bits cannot be changed. Set values of the TDRmn and TDRmp registers can be changed after INTTMmn of the master channel is generated. The TCRmn and TCRmp registers can always be read. The TSRmn and TSRmp registers are not used.	The counter of the master channel loads the TDRmn register value to timer count register mn (TCRmn), and counts down. When the count value reaches TCRmn = 0000H, INTTMmn output is generated. At the same time, the value of the TDRmn register is loaded to the TCRmn register, and the counter starts counting down again. At the slave channel, the value of the TDRmp register is loaded to the TCRmp register, triggered by INTTMmn of the master channel, and the counter starts counting down. The output level of TOmp becomes active one count clock after generation of the INTTMmn output from the master channel. It becomes inactive when TCRmp = 0000H, and the counting operation is stopped. After that, the above operation is repeated.
	Operation stop The TTmn (master) and TTmp (slave) bits are set to 1 at the same time. The TTmn and TTmp bits automatically return to 0 because they are trigger bits.	TEMn, TEmP = 0, and count operation stops. The TCRmn and TCRmp registers hold count value and stop. The TOmp output is not initialized but holds current status.
	The TOEmp bit of slave channel is cleared to 0 and value is set to the TOmp bit.	The TOmp pin outputs the TOmp set level.
TAU stop To hold the TOmp pin output level Clears the TOmp bit to 0 after the value to be held is set to the port register. When holding the TOmp pin output level is not necessary Setting not required.	The TOmp pin output level is held by port function.	
The TAU0EN bit of the PER0 register is cleared to 0.	Power-off status All circuits are initialized and SFR of each channel is also initialized. (The TOmp bit is cleared to 0 and the TOmp pin is set to port mode.)	

Remark m: Unit number (m = 0), n: Channel number (n = 0, 2, 4, 6)
 p: Slave channel number (n < p ≤ 7)

6.9.3 Operation as multiple PWM output function

By extending the PWM function and using multiple slave channels, many PWM waveforms with different duty values can be output.

For example, when using two slave channels, the period and duty factor of an output pulse can be calculated by the following expressions.

$$\begin{aligned} \text{Pulse period} &= \{\text{Set value of TDRmn (master)} + 1\} \times \text{Count clock period} \\ \text{Duty factor 1 [\%]} &= \{\text{Set value of TDRmp (slave 1)}\} / \{\text{Set value of TDRmn (master)} + 1\} \times 100 \\ \text{Duty factor 2 [\%]} &= \{\text{Set value of TDRmq (slave 2)}\} / \{\text{Set value of TDRmn (master)} + 1\} \times 100 \end{aligned}$$

Remark Although the duty factor exceeds 100% if the set value of TDRmp (slave 1) > {set value of TDRmn (master) + 1} or if the {set value of TDRmq (slave 2)} > {set value of TDRmn (master) + 1}, it is summarized into 100% output.

Timer count register mn (TCRmn) of the master channel operates in the interval timer mode and counts the periods.

The TCRmp register of the slave channel 1 operates in one-count mode, counts the duty factor, and outputs a PWM waveform from the TOmp pin. The TCRmp register loads the value of timer data register mp (TDRmp), using INTTMmn of the master channel as a start trigger, and starts counting down. When TCRmp = 0000H, TCRmp outputs INTTMmp and stops counting until the next start trigger (INTTMmn of the master channel) has been input. The output level of TOmp becomes active one count clock after generation of INTTMmn from the master channel, and inactive when TCRmp = 0000H.

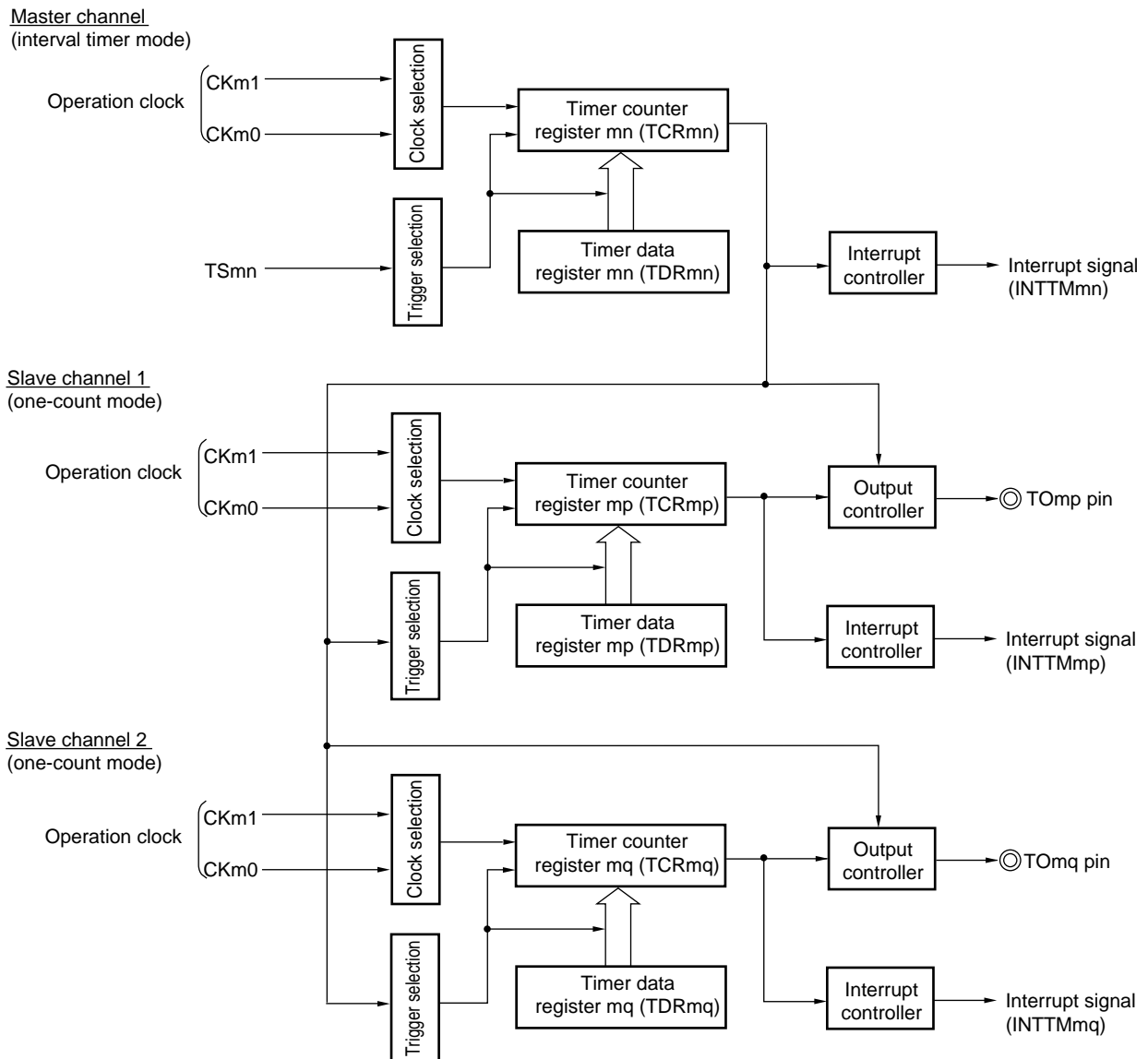
In the same way as the TCRmp register of the slave channel 1, the TCRmq register of the slave channel 2 operates in one-count mode, counts the duty factor, and outputs a PWM waveform from the TOMq pin. The TCRmq register loads the value of the TDRmq register, using INTTMmn of the master channel as a start trigger, and starts counting down. When TCRmq = 0000H, the TCRmq register outputs INTTMmq and stops counting until the next start trigger (INTTMmn of the master channel) has been input. The output level of TOMq becomes active one count clock after generation of INTTMmn from the master channel, and inactive when TCRmq = 0000H.

When channel 0 is used as the master channel as above, up to seven types of PWM signals can be output at the same time.

Caution To rewrite both timer data register mn (TDRmn) of the master channel and the TDRmp register of the slave channel 1, write access is necessary at least twice. Since the values of the TDRmn and TDRmp registers are loaded to the TCRmn and TCRmp registers after INTTMmn is generated from the master channel, if rewriting is performed separately before and after generation of INTTMmn from the master channel, the TOmp pin cannot output the expected waveform. To rewrite both the TDRmn register of the master and the TDRmp register of the slave, be sure to rewrite both the registers immediately after INTTMmn is generated from the master channel (This applies also to the TDRmq register of the slave channel 2).

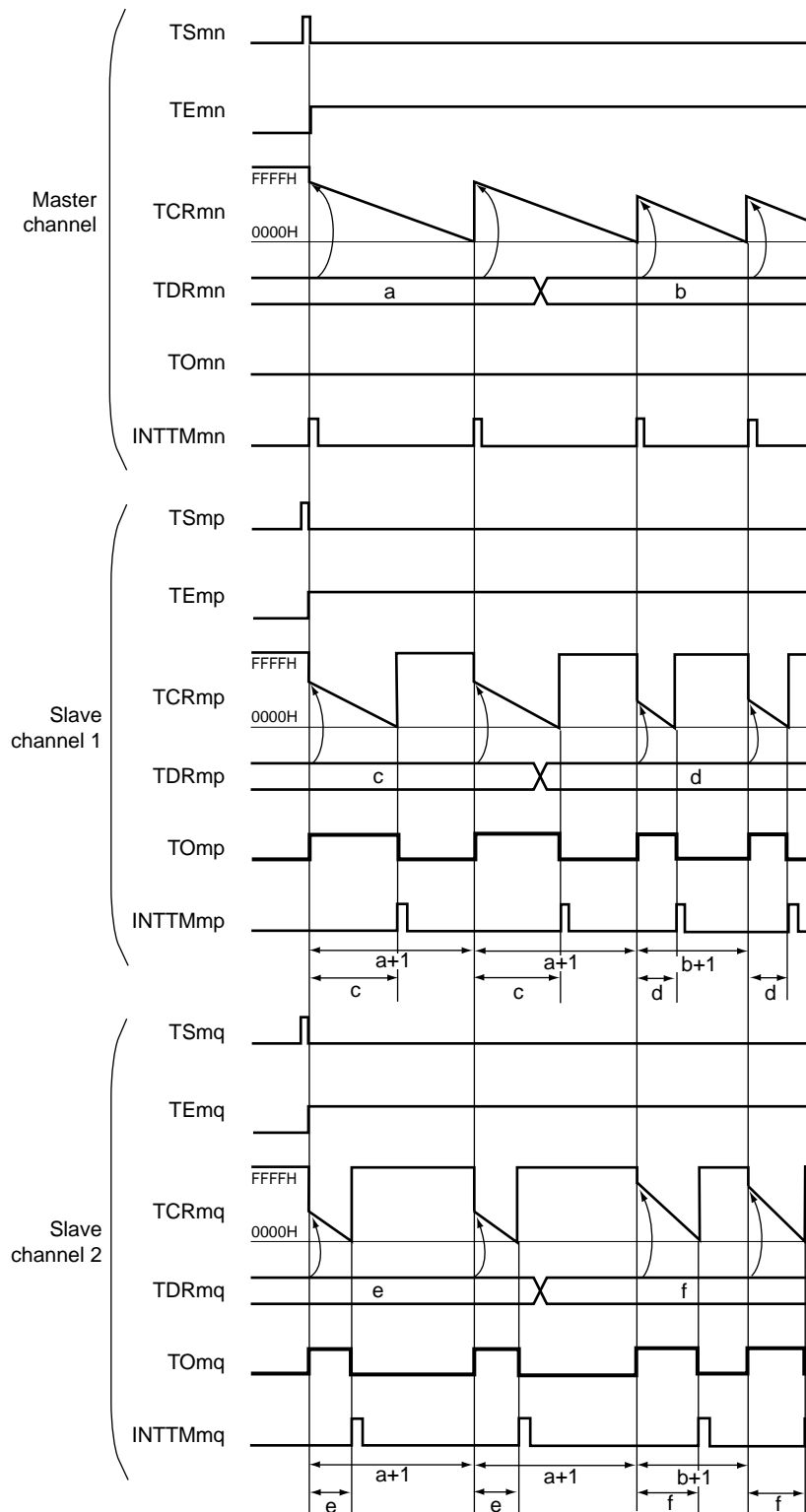
Remark m: Unit number (m = 0), n: Channel number (n = 0, 2, 4)
 p: Slave channel number 1, q: Slave channel number 2
 n < p < q ≤ 7 (Where p and q are integers greater than n)

Figure 6-79. Block Diagram of Operation as Multiple PWM Output Function (output two types of PWMs)



Remark m: Unit number (m = 0), n: Channel number (n = 0, 2, 4)
 p: Slave channel number 1, q: Slave channel number 2
 n < p < q ≤ 7 (Where p and q are integers greater than n)

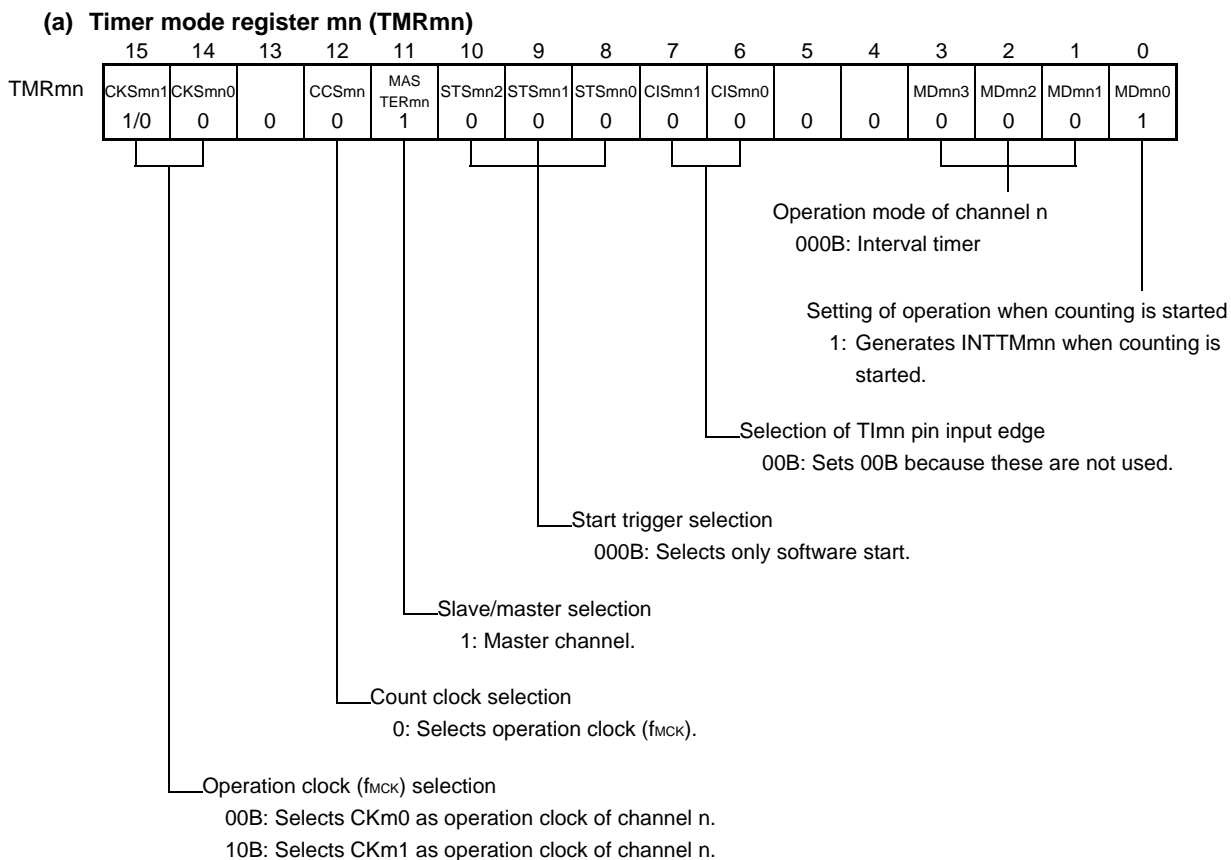
Figure 6-80. Example of Basic Timing of Operation as Multiple PWM Output Function (Output two types of PWMs)



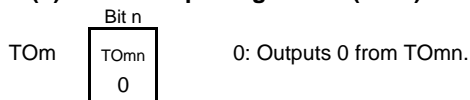
(Remark is listed on the next page.)

- Remark 1.** m: Unit number (m = 0), n: Channel number (n = 0, 2, 4)
p: Slave channel number 1, q: Slave channel number 2
n < p < q ≤ 7 (Where p and q are integers greater than n)
- 2.** TSmn, TSmp, TSmq: Bit n, p, q of timer channel start register m (TSM)
TEmn, TEmq, TEmq: Bit n, p, q of timer channel enable status register m (TEm)
TCRmn, TCRmp, TCRmq: Timer count registers mn, mp, mq (TCRmn, TCRmp, TCRmq)
TDRmn, TDRmp, TDRmq: Timer data registers mn, mp, mq (TDRmn, TDRmp, TDRmq)
TOMn, TOMp, TOMq: TOMn, TOMp, and TOMq pins output signal

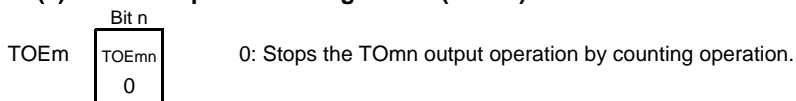
**Figure 6-81. Example of Set Contents of Registers
When Multiple PWM Output Function (Master Channel) Is Used**



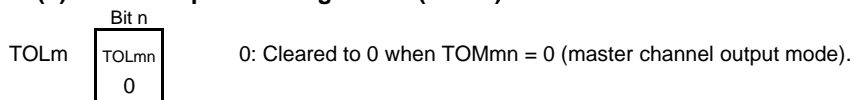
(b) Timer output register m (TOM)



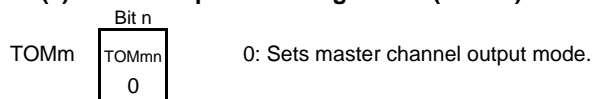
(c) Timer output enable register m (TOEm)



(d) Timer output level register m (TOLm)



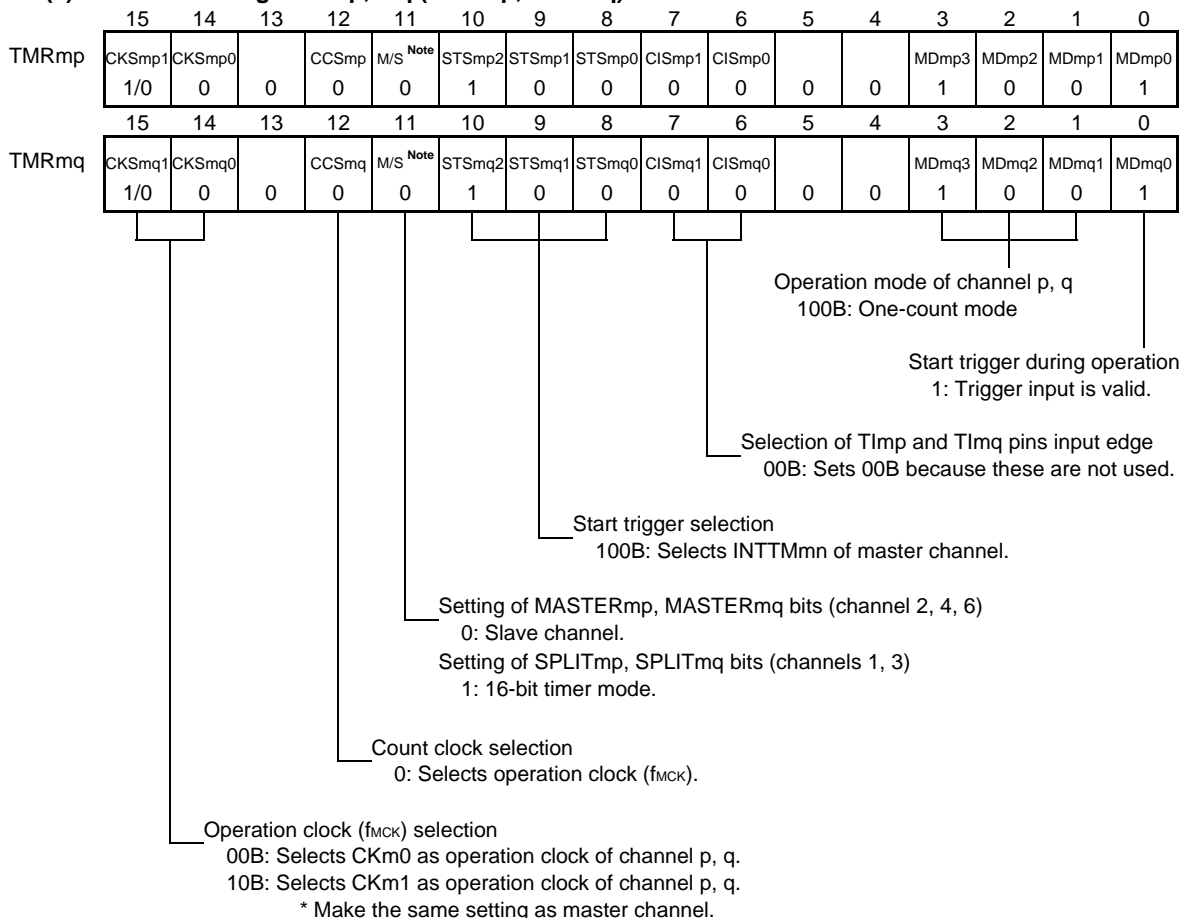
(e) Timer output mode register m (TOMm)



Remark m: Unit number (m = 0), n: Channel number (n = 0, 2, 4)

Figure 6-82. Example of Set Contents of Registers
When Multiple PWM Output Function (Slave Channel) Is Used (output two types of PWMs)

(a) Timer mode register mp, mq (TMRmp, TMRmq)



(b) Timer output register m (TOM)

	Bit q	Bit p	
TOM	TOMq	TOMP	0: Outputs 0 from TOMP or TOMq.
	1/0	1/0	1: Outputs 1 from TOMP or TOMq.

(c) Timer output enable register m (TOEm)

	Bit q	Bit p	
TOEm	TOEmq	TOEmp	0: Stops the TOMP or TOMq output operation by counting operation.
	1/0	1/0	1: Enables the TOMP or TOMq output operation by counting operation.

(d) Timer output level register m (TOLm)

	Bit q	Bit p	
TOLm	TOLmq	TOLmp	0: Positive logic output (active-high)
	1/0	1/0	1: Negative logic output (active-low)

(e) Timer output mode register m (TOMm)

	Bit q	Bit p	
TOMm	TOMmq	TOMmp	1: Sets the slave channel output mode.
	1	1	

Note TMRm5, TMRm7: Fixed to 0
 TMRm1, TMRm3: SPLITmp, SPLIT0q bit
 TMRm2, TMRm4, TMRm6: MASTERmp, MASTERmq bit

Remark m: Unit number (m = 0), n: Channel number (n = 0, 2, 4)
 p: Slave channel number 1, q: Slave channel number 2
 n < p < q ≤ 7 (Where p and q are integers greater than n)

Figure 6-83. Operation Procedure When Multiple PWM Output Function Is Used (1/2)

	Software Operation	Hardware Status
TAU default setting		Power-off status (Clock supply is stopped and writing to each register is disabled.)
	Sets the TAU0EN bit of peripheral enable register 0 (PER0) to 1. →	Power-on status. Each channel stops operating. (Clock supply is started and writing to each register is enabled.)
	Sets timer clock select register m (TPSm). Determines clock frequencies of CKm0 and CKm1.	
Channel default setting	Sets timer mode registers mn, mp, 0q (TMRmn, TMRmp, TMRmq) of each channel to be used (determines operation mode of channels). An interval (period) value is set to timer data register mn (TDRmn) of the master channel, and a duty factor is set to the TDRmp and TDRmq registers of the slave channels.	Channel stops operating. (Clock is supplied and some power is consumed.)
	Sets slave channels. The TOMmp and TOMmq bits of timer output mode register m (TOMm) are set to 1 (slave channel output mode). Sets the TOLmp and TOLmq bits. Sets the TOmp and TOMq bits and determines default level of the TOmp and TOMq outputs. →	The TOmp and TOMq pins go into Hi-Z output state. The TOmp and TOMq default setting levels are output when the port mode register is in output mode and the port register is 0.
	Sets the TOEmp and TOEmq bits to 1 and enables operation of TOmp and TOMq. →	TOmp and TOMq do not change because channels stop operating.
	Clears the port register and port mode register to 0. →	The TOmp and TOMq pins output the TOmp and TOMq set levels.

(Note and Remark are listed on the next page.)

Figure 6-83. Operation Procedure When Multiple PWM Output Function Is Used (2/2)

	Software Operation	Hardware Status
Operation is resumed.	<p>Operation start</p> <p>(Sets the TOEmp and TOEmq (slave) bits to 1 only when resuming operation.) The TSmn bit (master), and TSmp and TSmq (slave) bits of timer channel start register m (TSm) are set to 1 at the same time. The TSmn, TSmp, and TSmq bits automatically return to 0 because they are trigger bits.</p>	<p>TEmn = 1, TEmq = 1</p> <p>When the master channel starts counting, INTTMmn is generated. Triggered by this interrupt, the slave channel also starts counting.</p>
	<p>During operation</p> <p>Set values of the TMRmn, TMRmp, TMRmq registers, TOMmn, TOMmp, TOMmq, TOLmn, TOLmp, and TOLmq bits cannot be changed. Set values of the TDRmn, TDRmp, and TDRmq registers can be changed after INTTMmn of the master channel is generated. The TCRmn, TCRmp, and TCRmq registers can always be read. The TSRmn, TSRmp, and TSR0q registers are not used.</p>	<p>The counter of the master channel loads the TDRmn register value to timer count register mn (TCRmn) and counts down. When the count value reaches TCRmn = 0000H, INTTMmn output is generated. At the same time, the value of the TDRmn register is loaded to the TCRmn register, and the counter starts counting down again. At the slave channel 1, the values of the TDRmp register are transferred to the TCRmp register, triggered by INTTMmn of the master channel, and the counter starts counting down. The output levels of TOmp become active one count clock after generation of the INTTMmn output from the master channel. It becomes inactive when TCRmp = 0000H, and the counting operation is stopped. At the slave channel 2, the values of the TDRmq register are transferred to TCRmq register, triggered by INTTMmn of the master channel, and the counter starts counting down. The output levels of TOMq become active one count clock after generation of the INTTMmn output from the master channel. It becomes inactive when TCRmq = 0000H, and the counting operation is stopped. After that, the above operation is repeated.</p>
	<p>Operation stop</p> <p>The TTmn bit (master), TTmp, and TTmq (slave) bits are set to 1 at the same time. The TTmn, TTmp, and TTmq bits automatically return to 0 because they are trigger bits.</p>	<p>TEmn, TEmq = 0, and count operation stops. The TCRmn, TCRmp, and TCRmq registers hold count value and stop. The TOmp and TOMq output are not initialized but hold current status.</p>
	<p>The TOEmp and TOEmq bits of slave channels are cleared to 0 and value is set to the TOmp and TOMq bits.</p>	<p>The TOmp and TOMq pins output the TOmp and TOMq set levels.</p>
<p>TAU stop</p> <p>To hold the TOmp and TOMq pin output levels Clears the TOmp and TOMq bits to 0 after the value to be held is set to the port register. When holding the TOmp and TOMq pin output levels are not necessary Setting not required</p>	<p>The TOmp and TOMq pin output levels are held by port function.</p>	
<p>The TAU0EN bit of the PER0 register is cleared to 0.</p>	<p>Power-off status All circuits are initialized and SFR of each channel is also initialized. (The TOmp and TOMq bits are cleared to 0 and the TOmp and TOMq pins are set to port mode.)</p>	

Remark m: Unit number (m = 0), n: Channel number (n = 0, 2, 4)
 p: Slave channel number 1, q: Slave channel number 2
 n < p < q ≤ 7 (Where p and q are a integer greater than n)

6.9.4 Remote control output function

The PWM output function is applied to the remote control output function.

The pairings of channels 2 and 3 and channels 6 and 7 are used to output the PWM signal (See **6.9.2 Operation as PWM function** for how to set up each channel.). The PWM signal output from channel 3 is used as a mask wave, the PWM signal output from channel 7 is used as a carrier waves, and the logical products of these signals are output as remote control output.

The high level width output part of the remote control output is composed of a 20 to 60 kHz carrier signal.

Figure 6-84. Remote Control Output

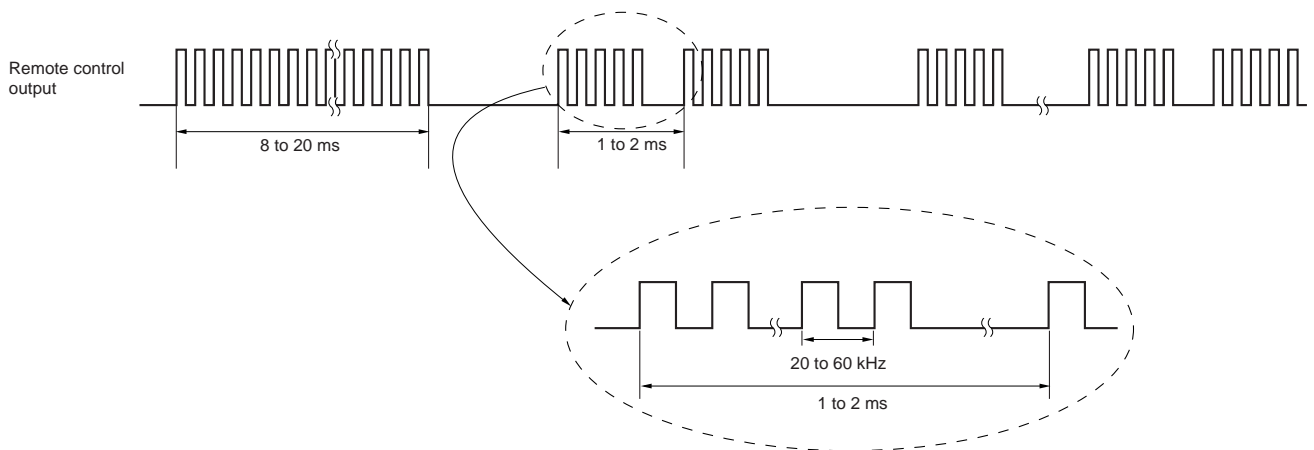


Figure 6-85 shows the steps for setting the remote control output.

Figure 6-85. Procedure for Setting Remote Control Output (1/2)

	Software Operation	Hardware Status
Pin mode setting	Sets the PFSEG17 bit of PFSEG2 register, PM32 bit of PM3 register, PU3 bit of PFSEG2 register and P32 bit of P3 register to 1	Remote control output is invalid P32/TO03 pin is low-level output
TAU default setting		Power-off status (Clock supply is stopped and writing to each register is disabled.)
	Sets the TAU0EN bit of peripheral enable register 0 (PER0) to 1.	Power-on status. Each channel stops operating. (Clock supply is started and writing to each register is enabled.)
	Sets timer clock select register 0 (TPS0). Determines clock frequencies of CK00 and CK01.	
Remote control output setting	The TOS0 bit of the Timer output select register (TOS) is set to 1.	Remote control output is valid The P32/TO03 pin outputs the result (Low) of ANDING TO03 (Low) and TO07 (Low). P32/TO03 pin can only be used as a remote control output P53/TO07 pin can only be used as a alternative function other than timer output
Channel default setting	Sets timer mode register mn (TMRmn) to 0801H and sets timer mode register mp (TMRmp) to 0409H determines operation mode of channels..	Channel stops operating. (Clock is supplied and some power is consumed.)
	Sets master channels. The TOMmn bit of timer output mode register m (TOMm) is set to 0 (master channel output mode). Sets the TOLmn bit. Sets the TOMn bit and determines default level of the TOMn output.	The TOMn pin goes into Hi-Z output state. The TOMn default setting level is output when the port mode register is in output mode and the port register is 0.
	Sets the TOEmn bit to 1 and enables operation of TOMn.	TOMn does not change because channels stop operating.
	Clears the port register and port mode register to 0.	The TOMn pin outputs the TOMn set level.
	Sets slave channels. The TOMmp bit of timer output mode register m (TOMm) is set to 1 (slave channel output mode). Sets the TOLmp bit. Sets the TOMp bit and determines default level of the TOMp output.	The TOMp pin goes into Hi-Z output state. The TOMp default setting level is output when the port mode register is in output mode and the port register is 0.
	Sets the TOEmp bit to 1 and enables operation of TOMp.	TOMp does not change because channels stop operating.
Clears the port register and port mode register to 0.	The TOMp pin outputs the TOMp set level.	

(Remark is listed on the next page.)

Figure 6-85. Procedure for Setting Remote Control Output (2/2)

	Software Operation	Hardware Status
Operation start	<p>The cycle of the mask waveform (start code) and its high-level width are set. TDR02 = The cycle of the mask waveform - 1 TDR03 = High-level width of the mask waveform</p> <p>The cycle of the carrier waveform and its high-level width are set. TDR06 = The cycle of the carrier waveform - 1 TDR07 = High-level width of the carrier waveform</p> <p>The TSmn (master), and TSmp (slave) bits of timer channel start register m (TSM) are set to 1 at the same time. The TSmn and TSmp bits automatically return to 0 because they are trigger bits.</p>	<p>TEmn = 1, TEmq = 1</p> <p>When the master channel starts counting, INTTM02 is generated. Triggered by this interrupt, the slave channel also starts counting.</p>
During operation	<p>The setting of the TMRmn and TMRmp registers, and the TOMmn, TOMmp, TOLmn, and TOLmp bits must not be changed. The TCRmn and TCRmp registers can always be read.</p> <p>Wait for an interrupt signal (INTTM02)</p> <p>Last code bit?</p> <ul style="list-style-type: none"> If it is not the end code bit, the cycle and high-level width of the next mask waveform are specified. TDR02 = The cycle of the mask waveform - 1 TDR03 = High-level width of the mask waveform <p>Caution Setting must finish before the TCR02 value reaches 0000H.</p> <ul style="list-style-type: none"> If it is the end code bit, the operation stops 	<p>TO03 outputs the mask waveform and TO07 outputs the carrier waveform in accordance with the settings of the cycle and high-level width. The P32/TO03 pin outputs the result of ANDing the TO03 and TO07 outputs (a remote control output (carrier waveform) until TCR03 reaches 0000H; a low-level remote control output until TCR02 reaches 0000H and TCR03 equals FFFFH).</p> <p>Interrupt signal (INTTM02) to be generated at TCR02 = 0000H.</p>
Operation stop	<p>The duty of the mask waveform is set to 0%. TDR02 = 0000H TDR03 is setting not required.</p> <p>Caution Setting must finish before the TCR02 value reaches 0000H.</p> <p>Wait for an interrupt signal (INTTM02)</p> <p>The TTmn bit (master) and TTmp (slave) bits are set to 1 at the same time. The TTmn and TTmp bits automatically return to 0 because they are trigger bits.</p> <p>The TOEmn and TOEmp bits are cleared to 0 and TOMn and TOMp bits are cleared to 0 ^{Note}</p>	<p>The P32/TO03 pin outputs the result of ANDing the TO03 and TO07 outputs (a remote control output (carrier waveform) until TCR03 reaches 0000H; a low-level remote control output after TCR03 reaches 0000H).</p> <p>Interrupt signal (INTTM02) to be generated at TCR02 = 0000H.</p> <p>TEmn, TEmq = 0, and count operation stops.</p> <p>The TOMp pin is clear to low-level.</p>
Transmission restart	<p>To resume transmission, set the TOEmp bit of timer output enable register m (TOEm) to 1. (The TOEmn bit remains 0.)</p>	

Operation is resumed.

Note If these bits are not used by any TAU channel, clock supply may be stopped by clearing the TAU0EN bit of peripheral enable register 0 (PER0) to 0. In this case, to resume transmission, the settings for transmission must be re-specified after the power is turned on.

Remark m: Unit number (m = 0), n: Master channel number (n = 2, 6)
 p: Slave channel number (p = 3, 7)
 (When mask waveform: n = 2, n = 3 ; When carrier waveform: n = 6, p = 7)

CHAPTER 7 REAL-TIME CLOCK

7.1 Functions of Real-time Clock

The real-time clock has the following features.

- Having counters of year, month, week, day, hour, minute, and second, and can count up to 99 years.
- Constant-period interrupt function (period: 0.5 seconds, 1 second, 1 minute, 1 hour, 1 day, 1 month)
- Alarm interrupt function (alarm: week, hour, minute)
- Pin output function of 1 Hz (44, 48, 52, and 64-pin products only)

<R> The real-time clock interrupt signal (INTRTC) can be utilized for wakeup from STOP mode and triggering an A/D converter's SNOOZE mode.

Caution The count of year, month, week, day, hour, minutes and second can only be performed when a subsystem clock ($f_{SUB} = 32.768$ kHz) is selected as the operation clock of the real-time clock. When the low-speed on-chip oscillator clock ($f_{IL} = 15$ kHz) is selected, only the constant-period interrupt function is available. The 32-pin products have the constant-period interrupt function only, because these products have no subsystem clock. However, the constant-period interrupt interval when f_{IL} is selected will be calculated with the constant-period (the value selected with RTCC0 register) $\times f_{SUB}/f_{IL}$.

7.2 Configuration of Real-time Clock

The real-time clock includes the following hardware.

Table 7-1. Configuration of Real-time Clock

Item	Configuration
Counter	Counter (16-bit)
<R> Control registers	Peripheral enable register 0 (PER0)
	Subsystem clock supply mode control register (OSMC)
	Real-time clock control register 0 (RTCC0)
	Real-time clock control register 1 (RTCC1)
	Second count register (SEC)
	Minute count register (MIN)
	Hour count register (HOUR)
	Day count register (DAY)
	Week count register (WEEK)
	Month count register (MONTH)
	Year count register (YEAR)
	Watch error correction register (SUBCUD)
	Alarm minute register (ALARMWM)
	Alarm hour register (ALARMWH)
Alarm week register (ALARMWW)	

7.3 Registers Controlling Real-time Clock

The real-time clock is controlled by the following registers.

- Peripheral enable register 0 (PER0)
- <R> • Subsystem clock supply mode control register (OSMC)
- Real-time clock control register 0 (RTCC0)
- Real-time clock control register 1 (RTCC1)
- Second count register (SEC)
- Minute count register (MIN)
- Hour count register (HOUR)
- Day count register (DAY)
- Week count register (WEEK)
- Month count register (MONTH)
- Year count register (YEAR)
- Watch error correction register (SUBCUD)
- Alarm minute register (ALARMWM)
- Alarm hour register (ALARMWH)
- Alarm week register (ALARMWW)
- <R> • Port mode register 3 (PM3)
- <R> • Port register 3 (P3)

7.3.1 Peripheral enable register 0 (PER0)

This register is used to enable or disable supplying the clock to the peripheral hardware. Clock supply to a hardware macro that is not used is stopped in order to reduce the power consumption and noise.

When the real-time clock is used, be sure to set bit 7 (RTCEN) of this register to 1.

The PER0 register can be set by a 1-bit or 8-bit memory manipulation instruction.

Reset signal generation clears this register to 00H.

Figure 7-2. Format of Peripheral Enable Register 0 (PER0)

Address: F00F0H After reset: 00H R/W

Symbol	<7>	6	<5>	<4>	3	<2>	1	<0>
PER0	RTCEN	0	ADCEN	IICA0EN	0	SAU0EN	0	TAU0EN

RTCEN	Real-time clock (RTC) and 12-bit interval timer	LCD driver/controller and clock output/buzzer output controller	
		When subsystem clock (f _{SUB}) is selected	When subsystem clock (f _{SUB}) is not selected
0	Stops input clock supply. <ul style="list-style-type: none"> • SFR used by the real-time clock (RTC) and 12-bit interval timer cannot be written. • The real-time clock (RTC) and 12-bit interval timer are in the reset status. 	Stops input clock and subsystem clock supply. <ul style="list-style-type: none"> • SFR used by the LCD driver/controller and clock output/buzzer output can be read and written. 	Enables input clock and main system clock supply. <ul style="list-style-type: none"> • SFR used by the LCD driver/controller and clock output/buzzer output can be read and written.
1	Enables input clock supply. <ul style="list-style-type: none"> • SFR used by the real-time clock (RTC) and 12-bit interval timer can be read and written. 	Enables input clock and subsystem clock supply. <ul style="list-style-type: none"> • SFR used by the LCD driver/controller and clock output/buzzer output can be read and written. 	

<R>

Cautions 1. When using the real-time clock, first set the RTCEN bit to 1 and then set the following registers, while oscillation of the count clock (f_{RTC}) is stable. If RTCEN = 0, writing to the control registers of the real-time clock is ignored, and, even if the registers are read, only the default values are read (except for the subsystem clock supply mode control register (OSMC), port mode register 3 (PM3), port register 3 (P3)).

- Real-time clock control register 0 (RTCC0)
- Real-time clock control register 1 (RTCC1)
- Second count register (SEC)
- Minute count register (MIN)
- Hour count register (HOUR)
- Day count register (DAY)
- Week count register (WEEK)
- Month count register (MONTH)
- Year count register (YEAR)
- Watch error correction register (SUBCUD)
- Alarm minute register (ALARMWM)
- Alarm hour register (ALARMWH)
- Alarm week register (ALARMWW)

<R>

2. The subsystem clock supply to peripheral functions other than the real-time clock, 12-bit interval timer, and LCD driver/controller can be stopped in HALT

mode when the subsystem clock is used, by setting the RTCLPC bit of the subsystem clock supply mode control register (OSMC) to 1. In this case, set the RTCEN bit of the PER0 register to 1 and the other bits (bits 0 to 6) to 0.

3. Be sure to clear the bits 1, 3, and 6 to 0.

7.3.2 Subsystem clock supply mode control register (OSMC)

The WUTMMCK0 bit can be used to select the real-time clock operation clock (f_{RTC}).

In addition, by stopping clock functions that are unnecessary, the RTCLPC bit can be used to reduce power consumption. For details about setting the RTCLPC bit, see **CHAPTER 5 CLOCK GENERATOR**.

The OSMC register can be set by an 8-bit memory manipulation instruction.

Reset signal generation clears this register to 00H.

<R>

Figure 7-3. Format of Subsystem Clock Supply Mode Control Register (OSMC)

Address: F00F3H After reset: 00H R/W

Symbol	7	6	5	4	3	2	1	0
OSMC	RTCLPC	0	0	WUTMMCK0	0	0	0	0

WUTMMCK0 <small>Note</small>	Selection of operation clock for real-time clock, 12-bit interval timer, and LCD driver/controller.	Selection of clock output from PCLBUZn pin of clock output/buzzer output
0	Subsystem clock (f_{SUB})	Selecting the subsystem clock (f_{SUB}) is enabled.
1	Low-speed on-chip oscillator clock (f_{IL})	Selecting the subsystem clock (f_{SUB}) is disabled.

Note Be sure to select the subsystem clock (WUTMMCK0 bit = 0) if the subsystem clock is oscillating.

Cautions 1. The count of year, month, week, day, hour, minutes and second can only be performed when a subsystem clock ($f_{SUB} = 32.768$ kHz) is selected as the operation clock of the real-time clock. When the low-speed on-chip oscillator clock ($f_{IL} = 15$ kHz) is selected, only the constant-period interrupt function is available. The 32-pin products have the constant-period interrupt function only, because these products have no subsystem clock.

However, the constant-period interrupt interval when f_{IL} is selected will be calculated with the constant-period (the value selected with RTCC0 register) $\times f_{SUB}/f_{IL}$.

2. The subsystem clock and low-speed on-chip oscillator clock can only be switched by using the WUTMMCK0 bit if the real-time clock, 12-bit interval timer, and LCD driver/controller are all stopped.

These are stopped as follows:

Real-time clock: Set the RTCE bit to 0.

12-bit interval timer: Set the RINTE bit to 0.

LCD driver/controller: Set the SCOC and VLCON bits to 0.

Remark RTCE: Bit 7 of real-time clock control register 0 (RTCC0)
 RINTE: Bit 15 of the interval timer control register (ITMC)
 SCOC: Bit 6 of LCD mode register 1 (LCDM1)
 VLCON: Bit 5 of LCD mode register 1 (LCDM1)

7.3.3 Real-time clock control register 0 (RTCC0)

The RTCC0 register is an 8-bit register that is used to start or stop the real-time clock operation, control the RTC1HZ pin, and set a 12- or 24-hour system and the constant-period interrupt function.

The RTCC0 register can be set by a 1-bit or 8-bit memory manipulation instruction.
Reset signal generation clears this register to 00H.

Figure 7-4. Format of Real-time Clock Control Register 0 (RTCC0)

Address: FFF9DH After reset: 00H R/W

Symbol	<7>	6	<5>	4	3	2	1	0
RTCC0	RTCE	0	RCLOE1 <small>Note</small>	0	AMPM	CT2	CT1	CT0

RTCE	Real-time clock operation control
0	Stops counter operation.
1	Starts counter operation.

RCLOE1	RTC1HZ pin output control
0	Disables output of the RTC1HZ pin (1 Hz).
1	Enables output of the RTC1HZ pin (1 Hz).

AMPM	Selection of 12-/24-hour system
0	12-hour system (a.m. and p.m. are displayed.)
1	24-hour system
<ul style="list-style-type: none"> • Rewrite the AMPM bit value after setting the RWAIT bit (bit 0 of real-time clock control register 1 (RTCC1)) to 1. If the AMPM bit value is changed, the values of the hour count register (HOUR) change according to the specified time system. • Table 7-2 shows the displayed time digits that are displayed. 	

CT2	CT1	CT0	Constant-period interrupt (INTRTC) selection
0	0	0	Does not use constant-period interrupt function.
0	0	1	Once per 0.5 s (synchronized with second count up)
0	1	0	Once per 1 s (same time as second count up)
0	1	1	Once per 1 m (second 00 of every minute)
1	0	0	Once per 1 hour (minute 00 and second 00 of every hour)
1	0	1	Once per 1 day (hour 00, minute 00, and second 00 of every day)
1	1	×	Once per 1 month (Day 1, hour 00 a.m., minute 00, and second 00 of every month)

When changing the values of the CT2 to CT0 bits while the counter operates (RTCE = 1), rewrite the values of the CT2 to CT0 bits after disabling interrupt servicing INTRTC by using the interrupt mask flag register. Furthermore, after rewriting the values of the CT2 to CT0 bits, enable interrupt servicing after clearing the RIFG and RTCIF flags.

<R> **Note** Set the RCLOE1 bit to 0 in the 20- to 36-pin products.

Cautions 1. Do not change the value of the RTCLOE1 bit when RTCE = 1.
2. 1 Hz is not output even if RCLOE1 is set to 1 when RTCE = 0.

<R>

Remark ×: don't care

7.3.4 Real-time clock control register 1 (RTCC1)

The RTCC1 register is an 8-bit register that is used to control the alarm interrupt function and the wait time of the counter.

The RTCC1 register can be set by a 1-bit or 8-bit memory manipulation instruction.
 Reset signal generation clears this register to 00H.

Figure 7-5. Format of Real-time Clock Control Register 1 (RTCC1) (1/2)

Address: FFF9EH After reset: 00H R/W

Symbol	<7>	<6>	5	<4>	<3>	2	<1>	<0>
RTCC1	WALE	WALIE	0	WAFG	RIFG	0	RWST	RWAIT

WALE	Alarm operation control
0	Match operation is invalid.
1	Match operation is valid.
When setting a value to the WALE bit while the counter operates (RTCE = 1) and WALIE = 1, rewrite the WALE bit after disabling interrupt servicing INTRTC by using the interrupt mask flag register. Furthermore, clear the WAFG and RTCIF flags after rewriting the WALE bit. When setting each alarm register (WALIE flag of real-time clock control register 1 (RTCC1), the alarm minute register (ALARMWM), the alarm hour register (ALARMWH), and the alarm week register (ALARMWW)), set match operation to be invalid ("0") for the WALE bit.	

WALIE	Control of alarm interrupt (INTRTC) function operation
0	Does not generate interrupt on matching of alarm.
1	Generates interrupt on matching of alarm.

WAFG	Alarm detection status flag
0	Alarm mismatch
1	Detection of matching of alarm
This is a status flag that indicates detection of matching with the alarm. It is valid only when WALE = 1 and is set to "1" one clock (32.768 kHz) after matching of the alarm is detected. This flag is cleared when "0" is written to it. Writing "1" to it is invalid.	

Figure 7-5. Format of Real-time Clock Control Register 1 (RTCC1) (2/2)

RIFG	Constant-period interrupt status flag
0	Constant-period interrupt is not generated.
1	Constant-period interrupt is generated.
This flag indicates the status of generation of the constant-period interrupt. When the constant-period interrupt is generated, it is set to "1". This flag is cleared when "0" is written to it. Writing "1" to it is invalid.	
RWST	Wait status flag of real-time clock
0	Counter is operating.
1	Mode to read or write counter value
This status flag indicates whether the setting of the RWAIT bit is valid. Before reading or writing the counter value, confirm that the value of this flag is 1.	
RWAIT	Wait control of real-time clock
0	Sets counter operation.
1	Stops SEC to YEAR counters. Mode to read or write counter value
This bit controls the operation of the counter. Be sure to write "1" to it to read or write the counter value. As the counter (16-bit) is continuing to run, complete reading or writing within one second and turn back to 0. When RWAIT = 1, it takes up to 1 clock (f_{RTC}) until the counter value can be read or written (RWST = 1). When the counter (16-bit) overflowed while RWAIT = 1, it keeps the event of overflow until RWAIT = 0, then counts up. However, when it wrote a value to second count register, it will not keep the overflow event.	

Caution If writing is performed to the RTCC1 register with a 1-bit manipulation instruction, the RIFG flag and WAFG flag may be cleared. Therefore, to perform writing to the RTCC1 register, be sure to use an 8-bit manipulation instruction. To prevent the RIFG flag and WAFG flag from being cleared during writing, disable writing by setting 1 to the corresponding bit. If the RIFG flag and WAFG flag are not used and the value may be changed, the RTCC1 register may be written by using a 1-bit manipulation instruction.

Remark Fixed-cycle interrupts and alarm match interrupts use the same interrupt source (INTRTC). When using these two types of interrupts at the same time, which interrupt occurred can be judged by checking the fixed-cycle interrupt status flag (RIFG) and the alarm detection status flag (WAFG) upon INTRTC occurrence.

7.3.5 Second count register (SEC)

The SEC register is an 8-bit register that takes a value of 0 to 59 (decimal) and indicates the count value of seconds. It counts up when the counter (16-bit) overflows.

When data is written to this register, it is written to a buffer and then to the counter up to two cycles of `frtc` later. Set a decimal value of 00 to 59 to this register in BCD code.

The SEC register can be set by an 8-bit memory manipulation instruction.

Reset signal generation clears this register to 00H.

Figure 7-6. Format of Second Count Register (SEC)

Address: FFF92H After reset: 00H R/W

Symbol	7	6	5	4	3	2	1	0
SEC	0	SEC40	SEC20	SEC10	SEC8	SEC4	SEC2	SEC1

Cautions 1. When it reads or writes from/to the register while the counter is in operation (`RTCE = 1`), follow the procedures described in the section 7.4.3 Reading/writing real-time clock.

<R>

2. The internal counter (16 bits) is cleared when the second count register (SEC) is written.

7.3.6 Minute count register (MIN)

The MIN register is an 8-bit register that takes a value of 0 to 59 (decimal) and indicates the count value of minutes. It counts up when the second counter overflows.

When data is written to this register, it is written to a buffer and then to the counter up to 2 clocks (`frtc`) later. Even if the second count register overflows while this register is being written, this register ignores the overflow and is set to the value written. Set a decimal value of 00 to 59 to this register in BCD code.

The MIN register can be set by an 8-bit memory manipulation instruction.

Reset signal generation clears this register to 00H.

Figure 7-7. Format of Minute Count Register (MIN)

Address: FFF93H After reset: 00H R/W

Symbol	7	6	5	4	3	2	1	0
MIN	0	MIN40	MIN20	MIN10	MIN8	MIN4	MIN2	MIN1

Caution When it reads or writes from/to the register while the counter is in operation (`RTCE = 1`), follow the procedures described in the section 7.4.3 Reading/writing real-time clock.

7.3.7 Hour count register (HOUR)

The HOUR register is an 8-bit register that takes a value of 00 to 23 or 01 to 12 and 21 to 32 (decimal) and indicates the count value of hours.

It counts up when the minute counter overflows.

When data is written to this register, it is written to a buffer and then to the counter up to two cycles of f_{RTC} later. Even if the minute count register overflows while this register is being written, this register ignores the overflow and is set to the value written. Specify a decimal value of 00 to 23, 01 to 12, or 21 to 32 by using BCD code according to the time system specified using bit 3 (AMPM) of real-time clock control register 0 (RTCC0).

If the AMPM bit value is changed, the values of the HOUR register change according to the specified time system.

The HOUR register can be set by an 8-bit memory manipulation instruction.

Reset signal generation clears this register to 12H.

However, the value of this register is 00H if the AMPM bit (bit 3 of the RTCC0 register) is set to 1 after reset.

Figure 7-8. Format of Hour Count Register (HOUR)

Address: FFF94H After reset: 12H R/W

Symbol	7	6	5	4	3	2	1	0
HOUR	0	0	HOUR20	HOUR10	HOUR8	HOUR4	HOUR2	HOUR1

- Cautions**
1. Bit 5 (HOUR20) of the HOUR register indicates AM(0)/PM(1) if AMPM = 0 (if the 12-hour system is selected).
 2. When it reads or writes from/to the register while the counter is in operation (RTCE = 1), follow the procedures described in the section 7.4.3 Reading/writing real-time clock.

Table 7-2 shows the relationship between the setting value of the AMPM bit, the hour count register (HOUR) value, and time.

Table 7-2. Displayed Time Digits

24-Hour Display (AMPM = 1)		12-Hour Display (AMPM = 1)	
Time	HOUR Register	Time	HOUR Register
0	00H	12 a.m.	12H
1	01H	1 a.m.	01H
2	02H	2 a.m.	02H
3	03H	3 a.m.	03H
4	04H	4 a.m.	04H
5	05H	5 a.m.	05H
6	06H	6 a.m.	06H
7	07H	7 a.m.	07H
8	08H	8 a.m.	08H
9	09H	9 a.m.	09H
10	10H	10 a.m.	10H
11	11H	11 a.m.	11H
12	12H	12 p.m.	32H
13	13H	1 p.m.	21H
14	14H	2 p.m.	22H
15	15H	3 p.m.	23H
16	16H	4 p.m.	24H
17	17H	5 p.m.	25H
18	18H	6 p.m.	26H
19	19H	7 p.m.	27H
20	20H	8 p.m.	28H
21	21H	9 p.m.	29H
22	22H	10 p.m.	30H
23	23H	11 p.m.	31H

The HOUR register value is set to 12-hour display when the AMPM bit is "0" and to 24-hour display when the AMPM bit is "1".

In 12-hour display, the fifth bit of the HOUR register displays 0 for AM and 1 for PM.

7.3.8 Day count register (DAY)

The DAY register is an 8-bit register that takes a value of 1 to 31 (decimal) and indicates the count value of days. It counts up when the hour counter overflows.

This counter counts as follows.

- 01 to 31 (January, March, May, July, August, October, December)
- 01 to 30 (April, June, September, November)
- 01 to 29 (February, leap year)
- 01 to 28 (February, normal year)

When data is written to this register, it is written to a buffer and then to the counter up to two cycles of `FRTC` later. Even if the hour count register overflows while this register is being written, this register ignores the overflow and is set to the value written. Set a decimal value of 01 to 31 to this register in BCD code.

The DAY register can be set by an 8-bit memory manipulation instruction.

Reset signal generation clears this register to 01H.

Figure 7-9. Format of Day Count Register (DAY)

Address: FFF96H After reset: 01H R/W

Symbol	7	6	5	4	3	2	1	0
DAY	0	0	DAY20	DAY10	DAY8	DAY4	DAY2	DAY1

Caution When it reads or writes from/to the register while the counter is in operation (`RTCE = 1`), follow the procedures described in the section 7.4.3 Reading/writing real-time clock.

7.3.9 Week count register (WEEK)

The WEEK register is an 8-bit register that takes a value of 0 to 6 (decimal) and indicates the count value of weekdays. It counts up in synchronization with the day counter.

When data is written to this register, it is written to a buffer and then to the counter up to two cycles of `frtc` later. Set a decimal value of 00 to 06 to this register in BCD code.

The WEEK register can be set by an 8-bit memory manipulation instruction.

Reset signal generation clears this register to 00H.

Figure 7-10. Format of Week Count Register (WEEK)

Address: FFF95H After reset: 00H R/W

Symbol	7	6	5	4	3	2	1	0
WEEK	0	0	0	0	0	WEEK4	WEEK2	WEEK1

- Cautions**
1. The value corresponding to the month count register (MONTH) or the day count register (DAY) is not stored in the week count register (WEEK) automatically. After reset release, set the week count register as follow.

Day	WEEK
Sunday	00H
Monday	01H
Tuesday	02H
Wednesday	03H
Thursday	04H
Friday	05H
Saturday	06H

2. When it reads or writes from/to the register while the counter is in operation (`RTCE = 1`), follow the procedures described in the section 7.4.3 Reading/writing real-time clock.

7.3.10 Month count register (MONTH)

The MONTH register is an 8-bit register that takes a value of 1 to 12 (decimal) and indicates the count value of months. It counts up when the day counter overflows.

When data is written to this register, it is written to a buffer and then to the counter up to two cycles of f_{RTC} later. Even if the day count register overflows while this register is being written, this register ignores the overflow and is set to the value written. Set a decimal value of 01 to 12 to this register in BCD code.

The MONTH register can be set by an 8-bit memory manipulation instruction.

Reset signal generation clears this register to 01H.

Figure 7-11. Format of Month Count Register (MONTH)

Address: FFF97H After reset: 01H R/W

Symbol	7	6	5	4	3	2	1	0
MONTH	0	0	0	MONTH10	MONTH8	MONTH4	MONTH2	MONTH1

Caution When it reads or writes from/to the register while the counter is in operation (RTCE = 1), follow the procedures described in the section 7.4.3 Reading/writing real-time clock.

7.3.11 Year count register (YEAR)

The YEAR register is an 8-bit register that takes a value of 0 to 99 (decimal) and indicates the count value of years.

It counts up when the month count register (MONTH) overflows.

Values 00, 04, 08, ..., 92, and 96 indicate a leap year.

When data is written to this register, it is written to a buffer and then to the counter up to two cycles of f_{RTC} later. Even if the MONTH register overflows while this register is being written, this register ignores the overflow and is set to the value written. Set a decimal value of 00 to 99 to this register in BCD code.

The YEAR register can be set by an 8-bit memory manipulation instruction.

Reset signal generation clears this register to 00H.

Figure 7-12. Format of Year Count Register (YEAR)

Address: FFF98H After reset: 00H R/W

Symbol	7	6	5	4	3	2	1	0
YEAR	YEAR80	YEAR40	YEAR20	YEAR10	YEAR8	YEAR4	YEAR2	YEAR1

Caution When it reads or writes from/to the register while the counter is in operation (RTCE = 1), follow the procedures described in the section 7.4.3 Reading/writing real-time clock.

7.3.12 Watch error correction register (SUBCUD)

This register is used to correct the watch with high accuracy when it is slow or fast by changing the value that overflows from the internal counter (16-bit) to the second count register (SEC) (reference value: 7FFFH).

The SUBCUD register can be set by an 8-bit memory manipulation instruction.

Reset signal generation clears this register to 00H.

Figure 7-13. Format of Watch Error Correction Register (SUBCUD)

Address: FFF99H After reset: 00H R/W

Symbol	7	6	5	4	3	2	1	0
SUBCUD	DEV	F6	F5	F4	F3	F2	F1	F0

DEV	Setting of watch error correction timing
0	Corrects watch error when the second digits are at 00, 20, or 40 (every 20 seconds).
1	Corrects watch error only when the second digits are at 00 (every 60 seconds).
Writing to the SUBCUD register at the following timing is prohibited.	
<ul style="list-style-type: none"> • When DEV = 0 is set: For a period of SEC = 00H, 20H, 40H • When DEV = 1 is set: For a period of SEC = 00H 	

F6	Setting of watch error correction value
0	Increases by $\{(F5, F4, F3, F2, F1, F0) - 1\} \times 2$.
1	Decreases by $\{(\text{/F5, /F4, /F3, /F2, /F1, /F0}) + 1\} \times 2$.
When (F6, F5, F4, F3, F2, F1, F0) = (*, 0, 0, 0, 0, 0, *), the watch error is not corrected. * is 0 or 1.	
/F5 to /F0 are the inverted values of the corresponding bits (000011 when 111100).	
Range of correction value: (when F6 = 0) 2, 4, 6, 8, ..., 120, 122, 124	
(when F6 = 1) -2, -4, -6, -8, ..., -120, -122, -124	

The range of value that can be corrected by using the watch error correction register (SUBCUD) is shown below.

	DEV = 0 (correction every 20 seconds)	DEV = 1 (correction every 60 seconds)
Correctable range	-189.2 ppm to 189.2 ppm	-63.1 ppm to 63.1 ppm
Maximum excludes quantization error	± 1.53 ppm	± 0.51 ppm
Minimum resolution	± 3.05 ppm	± 1.02 ppm

Remark If a correctable range is -63.1 ppm or lower and 63.1 ppm or higher, set 0 to DEV.

7.3.13 Alarm minute register (ALARMWWM)

This register is used to set minutes of alarm.
 The ALARMWWM register can be set by an 8-bit memory manipulation instruction.
 Reset signal generation clears this register to 00H.

Caution Set a decimal value of 00 to 59 to this register in BCD code. If a value outside the range is set, the alarm is not detected.

Figure 7-14. Format of Alarm Minute Register (ALARMWWM)

Address: FFF9AH After reset: 00H R/W

Symbol	7	6	5	4	3	2	1	0
ALARMWWM	0	WM40	WM20	WM10	WM8	WM4	WM2	WM1

7.3.14 Alarm hour register (ALARMWH)

This register is used to set hours of alarm.
 The ALARMWH register can be set by an 8-bit memory manipulation instruction.
 Reset signal generation clears this register to 12H.
 However, the value of this register is 00H if the AMPM bit (bit 3 of the RTCC0 register) is set to 1 after reset.

Caution Set a decimal value of 00 to 23, 01 to 12, or 21 to 32 to this register in BCD code. If a value outside the range is set, the alarm is not detected.

Figure 7-15. Format of Alarm Hour Register (ALARMWH)

Address: FFF9BH After reset: 12H R/W

Symbol	7	6	5	4	3	2	1	0
ALARMWH	0	0	WH20	WH10	WH8	WH4	WH2	WH1

Caution Bit 5 (WH20) of the ALARMWH register indicates AM(0)/PM(1) if AMPM = 0 (if the 12-hour system is selected).

7.3.15 Alarm week register (ALARMWW)

This register is used to set date of alarm.
 The ALARMWW register can be set by an 8-bit memory manipulation instruction.
 Reset signal generation clears this register to 00H.

Figure 7-16. Format of Alarm Week Register (ALARMWW)

Address: FFF9CH After reset: 00H R/W

Symbol	7	6	5	4	3	2	1	0
ALARMWW	0	WW6	WW5	WW4	WW3	WW2	WW1	WW0

Here is an example of setting the alarm.

Time of Alarm	Day							12-Hour Display				24-Hour Display			
	Sunday	Monday	Tuesday	Wednesday	Thursday	Friday	Saturday	Hour 10	Hour 1	Minute 10	Minute 1	Hour 10	Hour 1	Minute 10	Minute 1
	W W 0	W W 1	W W 2	W W 3	W W 4	W W 5	W W 6								
Every day, 0:00 a.m.	1	1	1	1	1	1	1	1	2	0	0	0	0	0	0
Every day, 1:30 a.m.	1	1	1	1	1	1	1	0	1	3	0	0	1	3	0
Every day, 11:59 a.m.	1	1	1	1	1	1	1	1	1	5	9	1	1	5	9
Monday through Friday, 0:00 p.m.	0	1	1	1	1	1	0	3	2	0	0	1	2	0	0
Sunday, 1:30 p.m.	1	0	0	0	0	0	0	2	1	3	0	1	3	3	0
Monday, Wednesday, Friday, 11:59 p.m.	0	1	0	1	0	1	0	3	1	5	9	2	3	5	9

<R> **7.3.16 Port mode register 3 (PM3)**

The PM3 register can be set by a 1-bit or 8-bit manipulation instruction.
 Reset signal generation sets this register to FFH.
 When using the port 3 as the RTC1HZ pin for output of 1 Hz, set the PM30 bit to 0.

Figure 7-17. Format of Port Mode Register 3 (PM3)

Address: FFF23H After reset: FFH R/W

Symbol	7	6	5	4	3	2	1	0
PM3	1	1	1	1	1	1	PM31	PM30

<R> **7.3.17 Port register 3 (P3)**

The PM3 register can be set by a 1-bit or 8-bit manipulation instruction.
 Reset signal generation sets this register to 00H.
 When using the port 3 as 1-Hz output to the RTC1Hz pin, set the P30 bit to 0.

Figure 7-18. Format of Port Register 3 (P3)

Address: FFF03H After reset: 00H R/W

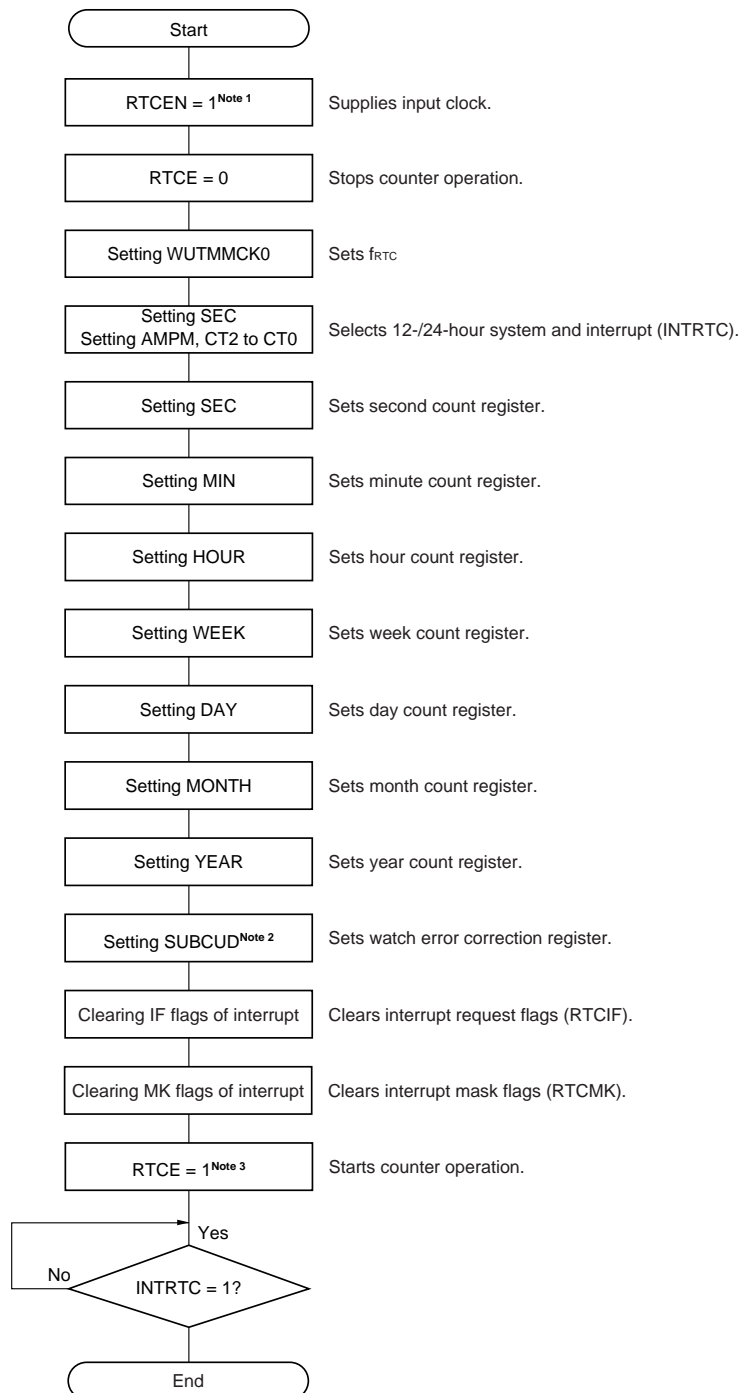
Symbol	7	6	5	4	3	2	1	0
P3	P37	P36	P35	P34	P33	P32	P31	P30

Caution Be sure to set bits that are not mounted to their initial values.

7.4 Real-time Clock Operation

7.4.1 Starting operation of real-time clock

Figure 7-19. Procedure for Starting Operation of Real-time Clock



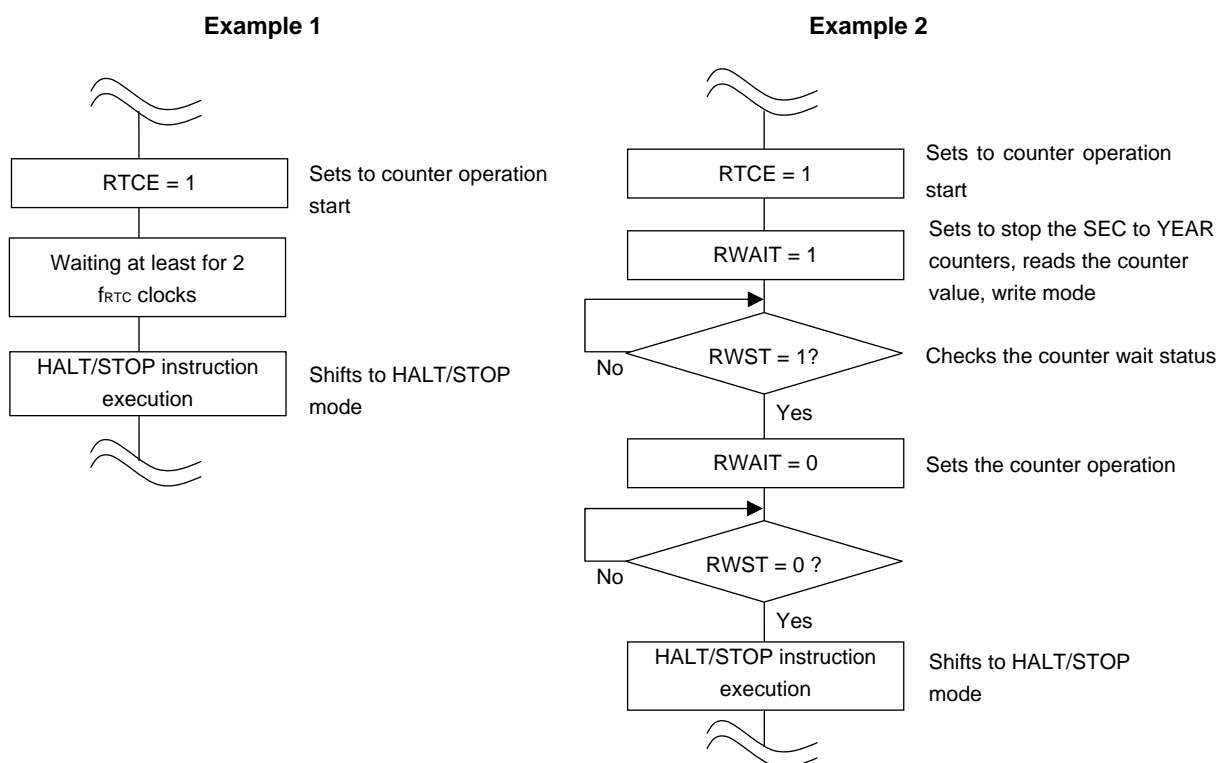
- <R> **Notes**
1. First set the RTCEN bit to 1, while oscillation of the count clock (f_{RTC}) is stable.
 2. Set up the SUBCUD register only if the watch error must be corrected. For details about how to calculate the correction value, see **7.4.6 Example of watch error correction of real-time clock**.
 3. Confirm the procedure described in **7.4.2 Shifting to HALT/STOP mode after starting operation** when shifting to HALT/STOP mode without waiting for INTRTC = 1 after RTCE = 1.

7.4.2 Shifting to HALT/STOP mode after starting operation

Perform one of the following processing when shifting to HALT/STOP mode immediately after setting the RTCE bit to 1. However, after setting the RTCE bit to 1, this processing is not required when shifting to HALT/STOP mode after the first INTRTC interrupt has occurred.

- Shifting to HALT/STOP mode when at least two input clocks (f_{RTC}) have elapsed after setting the RTCE bit to 1 (see **Figure 7-20, Example 1**).
- Checking by polling the RWST bit to become 1, after setting the RTCE bit to 1 and then setting the RWAIT bit to 1. Afterward, setting the RWAIT bit to 0 and shifting to HALT/STOP mode after checking again by polling that the RWST bit has become 0 (see **Figure 7-20, Example 2**).

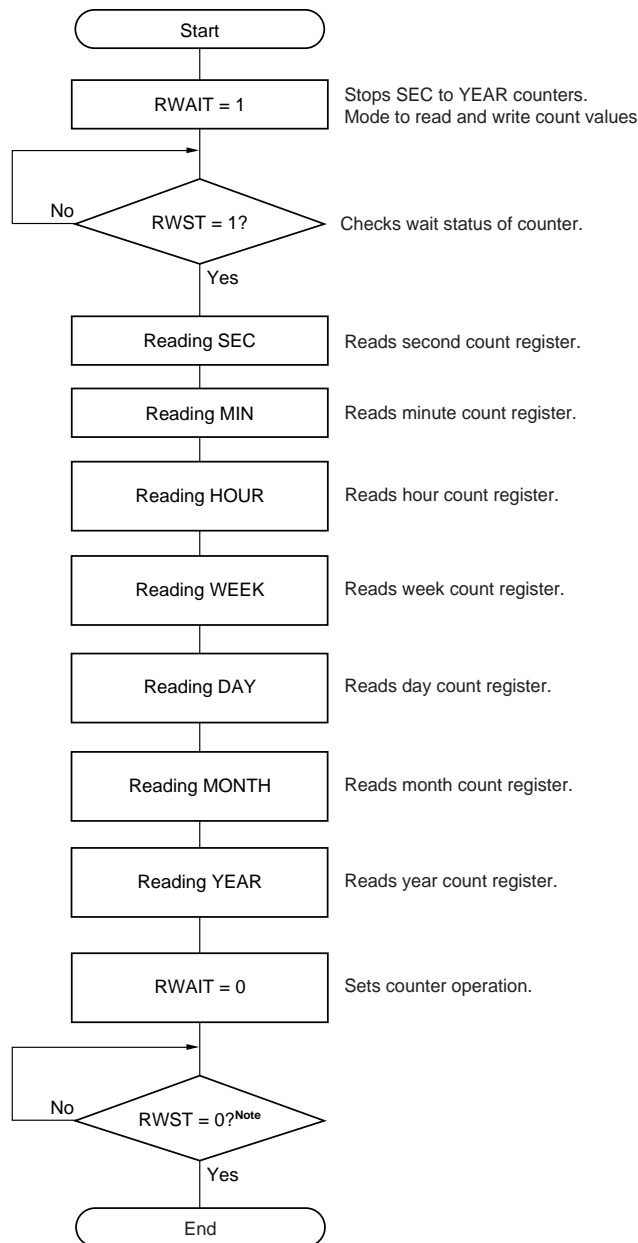
Figure 7-20. Procedure for Shifting to HALT/STOP Mode After Setting RTCE bit to 1



7.4.3 Reading/writing real-time clock

Read or write the counter after setting 1 to RWAIT first.
Set RWAIT to 0 after completion of reading or writing the counter.

Figure 7-21. Procedure for Reading Real-time Clock

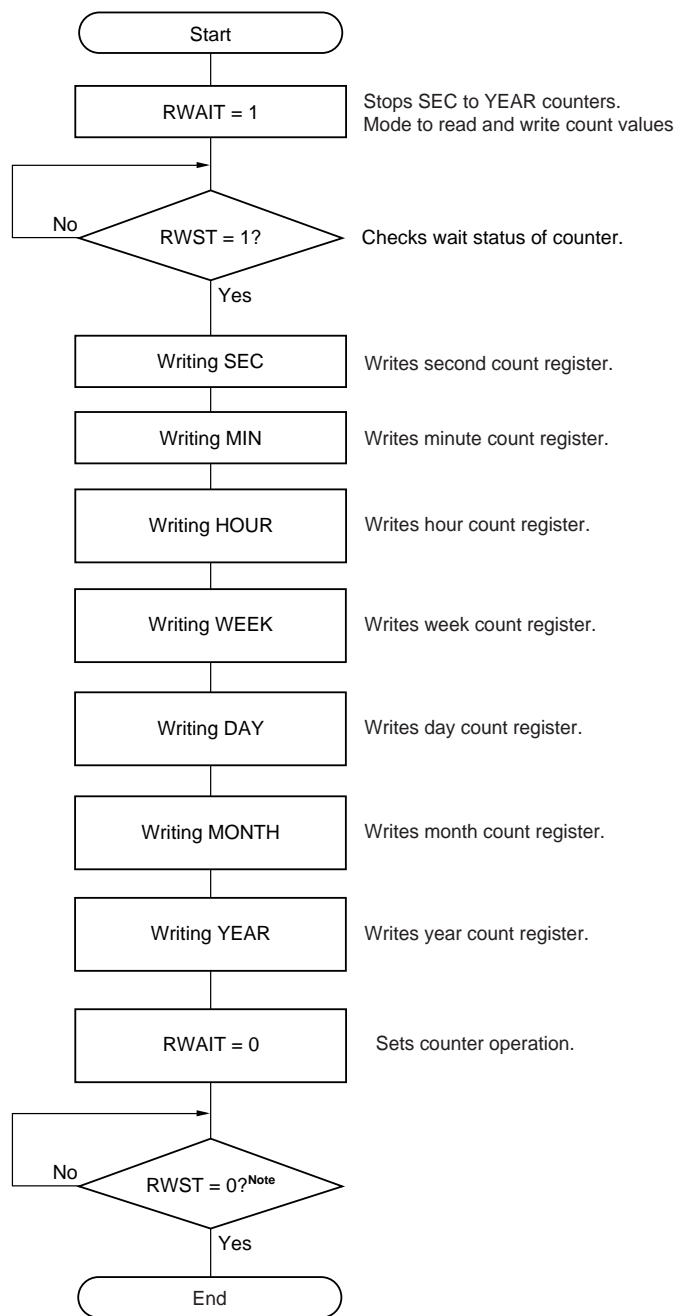


Note Be sure to confirm that RWST = 0 before setting STOP mode.

Caution Complete the series of process of setting the RWAIT bit to 1 to clearing the RWAIT bit to 0 within 1 second.

Remark The second count register (SEC), minute count register (MIN), hour count register (HOUR), week count register (WEEK), day count register (DAY), month count register (MONTH), and year count register (YEAR) may be read in any sequence.
All the registers do not have to read and only some registers may be read.

Figure 7-22. Procedure for Writing Real-time Clock



Note Be sure to confirm that RWST = 0 before setting STOP mode.

Cautions 1. Complete the series of operations of setting the RWAIT bit to 1 to clearing the RWAIT bit to 0 within 1 second.

2. When changing the values of the SEC, MIN, HOUR, WEEK, DAY, MONTH, and YEAR register while the counter operates (RTCE = 1), rewrite the values of the MIN register after disabling interrupt servicing INTRTC by using the interrupt mask flag register. Furthermore, clear the WAFG, RIFG and RTCIF flags after rewriting the MIN register.

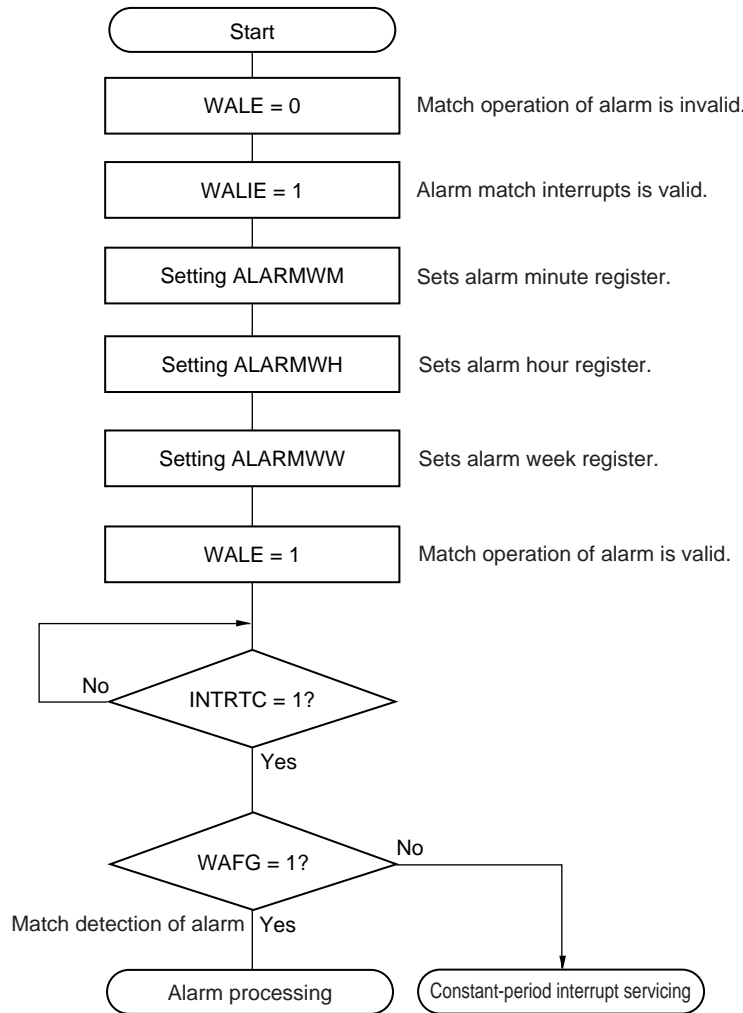
Remark The second count register (SEC), minute count register (MIN), hour count register (HOUR), week count register (WEEK), day count register (DAY), month count register (MONTH), and year count register (YEAR) may be written in any sequence.

All the registers do not have to be set and only some registers may be written.

7.4.4 Setting alarm of real-time clock

Set time of alarm after setting 0 to WALE (alarm operation invalid.) first.

Figure 7-23. Alarm processing Procedure

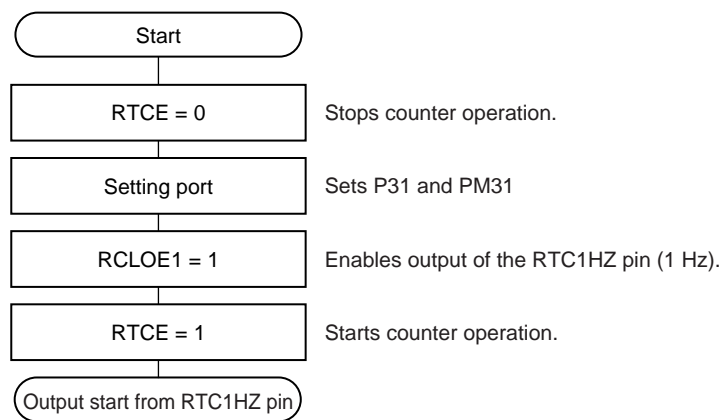


Remarks 1. The alarm week register (ALARMWW), alarm hour register (ALARMWH), and alarm week register (ALARMWW) may be written in any sequence.

2. Fixed-cycle interrupts and alarm match interrupts use the same interrupt source (INTRTC). When using these two types of interrupts at the same time, which interrupt occurred can be judged by checking the fixed-cycle interrupt status flag (RIFG) and the alarm detection status flag (WAFG) upon INTRTC occurrence.

7.4.5 1 Hz output of real-time clock

Figure 7-24. 1 Hz Output Setting Procedure



- Cautions**
1. First set the RTCEN bit to 1, while oscillation of the input clock (f_{SUB}) is stable.
 2. Pin output function of 1 Hz is not available in the 32-pin products.

<R>

7.4.6 Example of watch error correction of real-time clock

The watch can be corrected with high accuracy when it is slow or fast, by setting a value to the watch error correction register.

Example of calculating the correction value

The correction value used when correcting the count value of the internal counter (16-bit) is calculated by using the following expression.

Set the DEV bit to 0 when the correction range is -63.1 ppm or less, or 63.1 ppm or more.

(When DEV = 0)

$$\text{Correction value}^{\text{Note}} = \text{Number of correction counts in 1 minute} \div 3 = (\text{Oscillation frequency} \div \text{Target frequency} - 1) \times 32768 \times 60 \div 3$$

(When DEV = 1)

$$\text{Correction value}^{\text{Note}} = \text{Number of correction counts in 1 minute} = (\text{Oscillation frequency} \div \text{Target frequency} - 1) \times 32768 \times 60$$

Note The correction value is the watch error correction value calculated by using bits 6 to 0 of the watch error correction register (SUBCUD).

$$\text{(When F6 = 0) Correction value} = \{(F5, F4, F3, F2, F1, F0) - 1\} \times 2$$

$$\text{(When F6 = 1) Correction value} = -\{(/F5, /F4, /F3, /F2, /F1, /F0) + 1\} \times 2$$

When (F6, F5, F4, F3, F2, F1, F0) is (*, 0, 0, 0, 0, 0, *), watch error correction is not performed. "*" is 0 or 1. /F5 to /F0 are bit-inverted values (000011 when 111100).

- Remarks**
1. The correction value is 2, 4, 6, 8, ... 120, 122, 124 or $-2, -4, -6, -8, \dots -120, -122, -124$.
 2. The oscillation frequency is the input clock (f_{RTC}).
It can be calculated from the output frequency of the RTC1HZ pin $\times 32768$ when the watch error correction register is set to its initial value (00H).
 3. The target frequency is the frequency resulting after correction performed by using the watch error correction register.

<R> Correction example 1

Example of correcting from 32772.3 Hz to 32768 Hz (32772.3 Hz – 131.2 ppm)

[Measuring the oscillation frequency]

The oscillation frequency^{Note} of each product is measured by outputting about 32.768 kHz from the PCLBUZ0 pin, or by outputting about 1 Hz from the RTC1HZ pin when the watch error correction register (SUBCUD) is set to its initial value (00H).

Note See 7.4.5 1 Hz output of real-time clock for the setting procedure of the RTC1Hz output, and see 9.4 Operations of Clock Output/Buzzer Output Controller for the setting procedure of outputting about 32 kHz from the PCLBUZ0 pin.

[Calculating the correction value]

(When the output frequency from the PCLBUZ0 pin is 32772.3 Hz)

Assume the target frequency to be 32768 Hz (32772.3 Hz–131.2 ppm) and DEV to be 0, because the correctable range of –131.2 ppm is –63.1 ppm or lower.

The expression for calculating the correction value when DEV is 0 is applied.

$$\begin{aligned}
 \text{Correction value} &= \text{Number of correction counts in 1 minute} \div 3 \\
 &= (\text{Oscillation frequency} \div \text{target frequency} - 1) \times 32768 \times 60 \div 3 \\
 &= (32772.3 \div 32768 - 1) \times 32768 \times 60 \div 3 \\
 &= 86
 \end{aligned}$$

[Calculating the values to be set to (F6 to F0)]

(When the correction value is 86)

If the correction value is 0 or larger (when slowing), assume F6 to be 0.

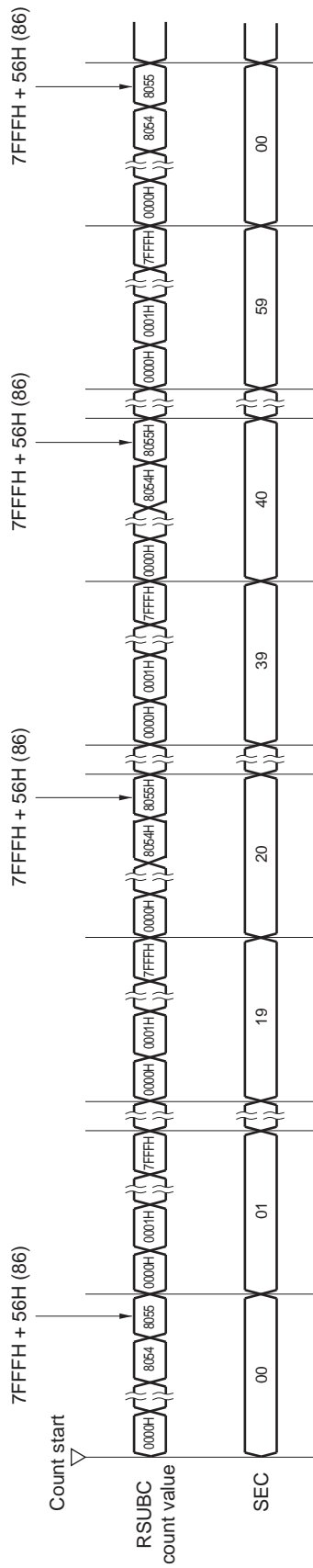
Calculate (F5, F4, F3, F2, F1, F0) from the correction value.

$$\begin{aligned}
 \{ (F5, F4, F3, F2, F1, F0) - 1 \} \times 2 &= 86 \\
 (F5, F4, F3, F2, F1, F0) &= 44 \\
 (F5, F4, F3, F2, F1, F0) &= (1, 0, 1, 1, 0, 0)
 \end{aligned}$$

Consequently, when correcting from 32772.3 Hz to 32768 Hz (32772.3 Hz – 131.2 ppm), setting the correction register such that DEV is 0 and the correction value is 86 (bits 6 to 0 of the SUBCUD register: 0101100) results in 32768 Hz (0 ppm).

Figure 7-25 shows the operation when (DEV, F6, F5, F4, F3, F2, F1, F0) is (0, 0, 1, 0, 1, 1, 0, 0).

Figure 7-25. Correction Operation when (DEV, F6, F5, F4, F3, F2, F1, F0) = (0, 0, 1, 0, 1, 1, 1, 0, 0)



<R>

Correction example 2

Example of correcting from 32767.4 Hz to 32768 Hz (32767.4 Hz + 18.3 ppm)

[Measuring the oscillation frequency]

The oscillation frequency^{Note} of each product is measured by outputting about 1 Hz from the RTC1HZ pin when the watch error correction register (SUBCUD) is set to its initial value (00H).

Note See 7.4.5 1 Hz output of real-time clock for the setting procedure of outputting about 1 Hz from the RTC1HZ pin.

[Calculating the correction value]

(When the output frequency from the RTCCL pin is 0.9999817 Hz)

Oscillation frequency = $32768 \times 0.9999817 \approx 32767.4$ Hz

Assume the target frequency to be 32768 Hz (32767.4 Hz + 18.3 ppm) and DEV to be 1.

The expression for calculating the correction value when DEV is 1 is applied.

$$\begin{aligned} \text{Correction value} &= \text{Number of correction counts in 1 minute} \\ &= (\text{Oscillation frequency} \div \text{Target frequency} - 1) \times 32768 \times 60 \\ &= (32767.4 \div 32768 - 1) \times 32768 \times 60 \\ &= -36 \end{aligned}$$

[Calculating the values to be set to (F6 to F0)]

(When the correction value is -36)

If the correction value is 0 or less (when quickening), assume F6 to be 1.

Calculate (F5, F4, F3, F2, F1, F0) from the correction value.

$$\begin{aligned} -\{(/F5, /F4, /F3, /F2, /F1, /F0) - 1\} \times 2 &= -36 \\ (/F5, /F4, /F3, /F2, /F1, /F0) &= 17 \\ (/F5, /F4, /F3, /F2, /F1, /F0) &= (0, 1, 0, 0, 0, 1) \\ (F5, F4, F3, F2, F1, F0) &= (1, 0, 1, 1, 1, 0) \end{aligned}$$

Consequently, when correcting from 32767.4 Hz to 32768 Hz (32767.4 Hz + 18.3 ppm), setting the correction register such that DEV is 1 and the correction value is -36 (bits 6 to 0 of the SUBCUD register: 1101110) results in 32768 Hz (0 ppm).

Figure 7-26 shows the operation when (DEV, F6, F5, F4, F3, F2, F1, F0) is (1, 1, 1, 0, 1, 1, 1, 0).

CHAPTER 8 12-BIT INTERVAL TIMER

8.1 Functions of 12-bit Interval Timer

An interrupt (INTIT) is generated at any previously specified time interval. It can be utilized for wakeup from STOP mode and triggering an A/D converter’s SNOOZE mode.

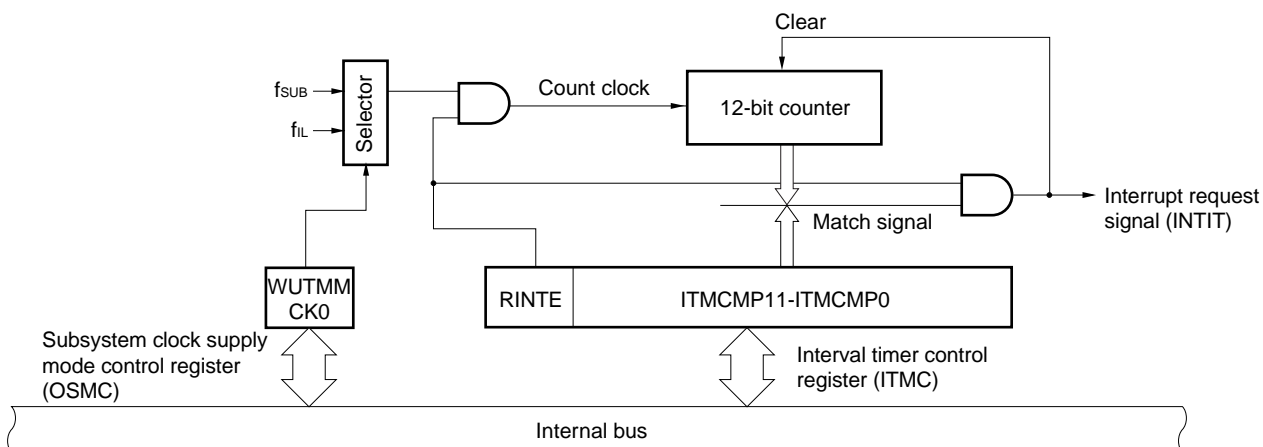
8.2 Configuration of 12-bit Interval Timer

The 12-bit interval timer includes the following hardware.

Table 8-1. Configuration of 12-bit Interval Timer

Item	Configuration
Counter	12-bit counter
<R> Control registers	Peripheral enable register 0 (PER0)
	Subsystem clock supply mode control register (OSMC)
	Interval timer control register (ITMC)

Figure 8-1. Block Diagram of 12-bit Interval Timer



8.3 Registers Controlling 12-bit Interval Timer

The 12-bit interval timer is controlled by the following registers.

- Peripheral enable register 0 (PER0)
- <R> • Subsystem clock supply mode control register (OSMC)
- Interval timer control register (ITMC)

8.3.1 Peripheral enable register 0 (PER0)

This register is used to enable or disable supplying the clock to the peripheral hardware. Clock supply to a hardware macro that is not used is stopped in order to reduce the power consumption and noise.

When the 12-bit interval timer is used, be sure to set bit 7 (RTCEN) of this register to 1.

The PER0 register can be set by a 1-bit or 8-bit memory manipulation instruction.

Reset signal generation clears this register to 00H.

Figure 8-2. Format of Peripheral Enable Register 0 (PER0)

Address: F00F0H After reset: 00H R/W

Symbol	<7>	6	<5>	<4>	3	<2>	1	<0>
PER0	RTCEN	0	ADCEN	IICA0EN	0	SAU0EN	0	TAU0EN

RTCEN	Control of clock supply to real-time clock (RTC) and 12-bit interval timer	LCD driver/controller and clock output/buzzer output controller	
		When subsystem clock (f _{SUB}) is selected	When subsystem clock (f _{SUB}) is not selected
0	Stops input clock supply. <ul style="list-style-type: none"> • SFR used by the real-time clock (RTC) and 12-bit interval timer cannot be written. • The real-time clock (RTC) and 12-bit interval timer are in the reset status. 	Stops input clock and subsystem clock supply. <ul style="list-style-type: none"> • SFR used by the LCD driver/controller and clock output/buzzer output can be read and written. 	Enables input clock and main system clock supply. <ul style="list-style-type: none"> • SFR used by the LCD driver/controller and clock output/buzzer output can be read and written.
1	Enables input clock supply. <ul style="list-style-type: none"> • SFR used by the real-time clock (RTC) and 12-bit interval timer can be read and written. 	Enables input clock and subsystem clock supply. <ul style="list-style-type: none"> • SFR used by the LCD driver/controller and clock output/buzzer output can be read and written. 	

- <R> **Cautions 1.** When using the 12-bit interval timer, first set the RTCEN bit to 1, while oscillation of the input clock (f_{RTC}) is stable. If RTCEN = 0, writing to a control register of the real-time clock, 12-bit interval timer, or LCD driver/controller is ignored, and, even if the register is read, only the default value is read (except the subsystem clock supply mode control register (OSMC)).
- <R> **2.** Clock supply to peripheral functions other than the real-time clock, 12-bit interval timer, and LCD driver/controller can be stopped in STOP mode and HALT mode when the subsystem clock is used, by setting the RTCLPC bit of the subsystem clock supply mode control register (OSMC) to 1. In this case, set the RTCEN bit of the PER0 register to 1 and the other bits (bits 0 to 6) to 0.
- 3.** Be sure to clear the bits 1, 3 and 6 to 0.

<R> **8.3.2 Subsystem clock supply mode control register (OSMC)**

The WUTMMCK0 bit can be used to select the 12-bit interval timer operation clock.

In addition, by stopping clock functions that are unnecessary, the RTCLPC bit can be used to reduce power consumption. For details about setting the RTCLPC bit, see **CHAPTER 5 CLOCK GENERATOR**.

The OSMC register can be set by an 8-bit memory manipulation instruction.

Reset signal generation clears this register to 00H.

<R> **Figure 8-3. Format of Subsystem Clock Supply Mode Control Register (OSMC)**

Address: F00F3H After reset: 00H R/W

Symbol	7	6	5	4	3	2	1	0
OSMC	RTCLPC	0	0	WUTMMCK0	0	0	0	0

WUTMMCK0 <small>Note</small>	Selection of operation clock for real-time clock, 12-bit interval timer, and LCD driver/controller.	Selection of clock output from PCLBUZn pin of clock output/buzzer output
0	Subsystem clock (f _{SUB})	Selecting the subsystem clock (f _{SUB}) is enabled.
1	Low-speed on-chip oscillator clock (f _{IL})	Selecting the subsystem clock (f _{SUB}) is disabled.

Note Be sure to select the subsystem clock (WUTMMCK0 bit = 0) if the subsystem clock is oscillating.

Caution The subsystem clock and low-speed on-chip oscillator clock can only be switched by using the WUTMMCK0 bit if the real-time clock, 12-bit interval timer, and LCD driver/controller are all stopped.

These are stopped as follows:

Real-time clock: Set the RTCE bit to 0.

Interval timer: Set the RINTE bit to 0.

LCD driver/controller: Set the SCOC and VLCON bits to 0.

Remark RTCE: Bit 7 of real-time clock control register 0 (RTCC0)
 RINTE: Bit 15 of the interval timer control register (ITMC)
 SCOC: Bit 6 of LCD mode register 1 (LCDM1)
 VLCON: Bit 5 of LCD mode register 1 (LCDM1)

8.3.3 Interval timer control register (ITMC)

This register is used to set up the starting and stopping of the 12-bit interval timer operation and to specify the timer compare value.

The ITMC register can be set by a 16-bit memory manipulation instruction.
Reset signal generation clears this register to 0FFFH.

Figure 8-4. Format of Interval Timer Control Register (ITMC)

Address: FFF90H After reset: 0FFFH R/W

Symbol	15	14	13	12	11 to 0
ITMC	RINTE	0	0	0	ITCMP11 to ITCMP0

RINTE	12-bit interval timer operation control
0	Count operation stopped (count clear)
1	Count operation started

ITCMP11 to ITCMP0	Specification of the 12-bit interval timer compare value
001H	These bits generate an interrupt at the fixed cycle (count clock cycles x (ITCMP setting + 1)).
•	
•	
FFFH	
000H	Setting prohibit

Example interrupt cycles when 001H or FFFH is specified for ITCMP11 to ITCMP0

- ITCMP11 to ITCMP0 = 001H, count clock: when $f_{SUB} = 32.768 \text{ kHz}$
 $1/32.768 \text{ [kHz]} \times (1 + 1) = 0.06103515625 \text{ [ms]} \cong 61.03 \text{ [}\mu\text{s]}$
- ITCMP11 to ITCMP0 = FFFH, count clock: when $f_{SUB} = 32.768 \text{ kHz}$
 $1/32.768 \text{ [kHz]} \times (4095 + 1) = 125 \text{ [ms]}$

- Cautions**
1. Before changing the RINTE bit from 1 to 0, use the interrupt mask flag register to disable the INTIT interrupt servicing. When the operation starts (from 0 to 1) again, clear the ITIF flag, and then enable the interrupt servicing.
 2. The value read from the RINTE bit is applied one count clock cycle after setting the RINTE bit.
 3. When setting the RINTE bit to start operation of the counter after returning from a standby mode and then shifting to a standby mode again, either confirm that the value written to the RINTE bit has been applied, or make sure that at least one count clock cycle elapses between returning from a standby mode and shifting to a standby mode again.
 4. Only change the setting of the ITCMP11 to ITCMP0 bits when RINTE = 0. However, it is possible to change the settings of the ITCMP11 to ITCMP0 bits at the same time as when changing RINTE from 0 to 1 or 1 to 0.

8.4 12-bit Interval Timer Operation

8.4.1 12-bit interval timer operation timing

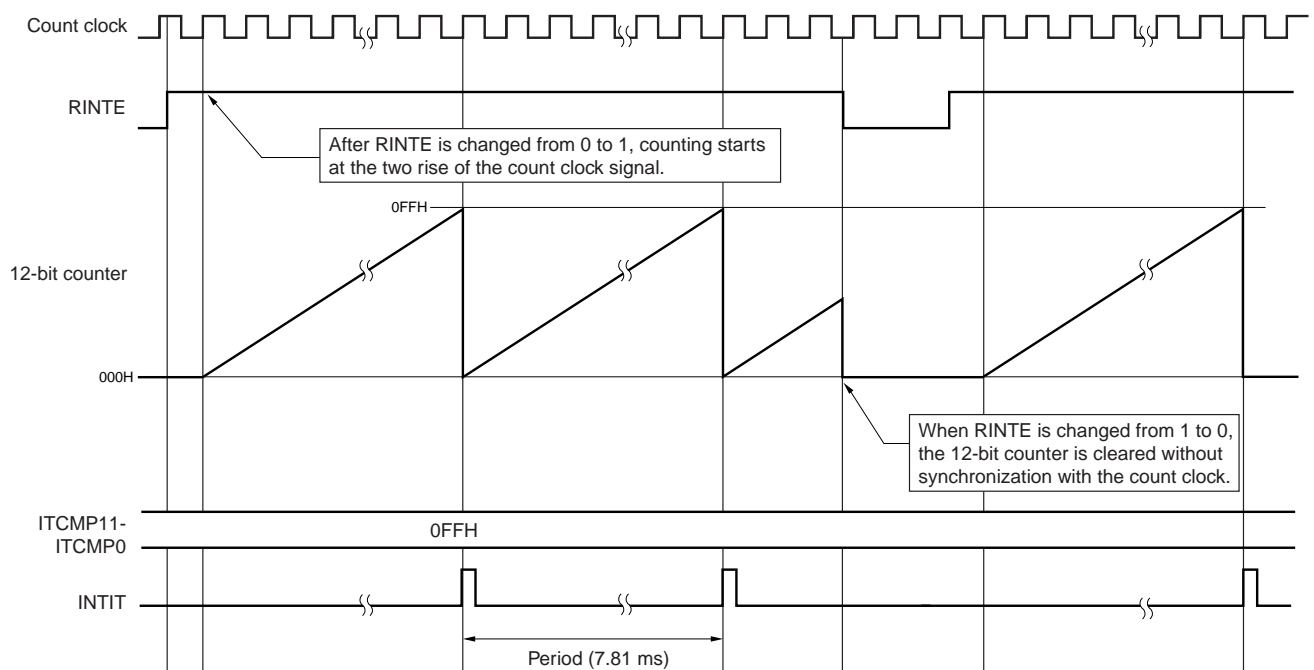
The count value specified for the ITCMP11 to ITCMP0 bits is used as an interval to operate an 12-bit interval timer that repeatedly generates interrupt requests (INTIT).

When the RINTE bit is set to 1, the 12-bit counter starts counting.

When the 12-bit counter value matches the value specified for the ITCMP11 to ITCMP0 bits, the 12-bit counter value is cleared to 0, counting continues, and an interrupt request signal (INTIT) is generated at the same time.

The basic operation of the 12-bit interval timer is as follows.

Figure 8-5. 12-bit Interval Timer Operation Timing (ITCMP11 to ITCMP0 = 0FFH, count clock: $f_{SUB} = 32.768$ kHz)

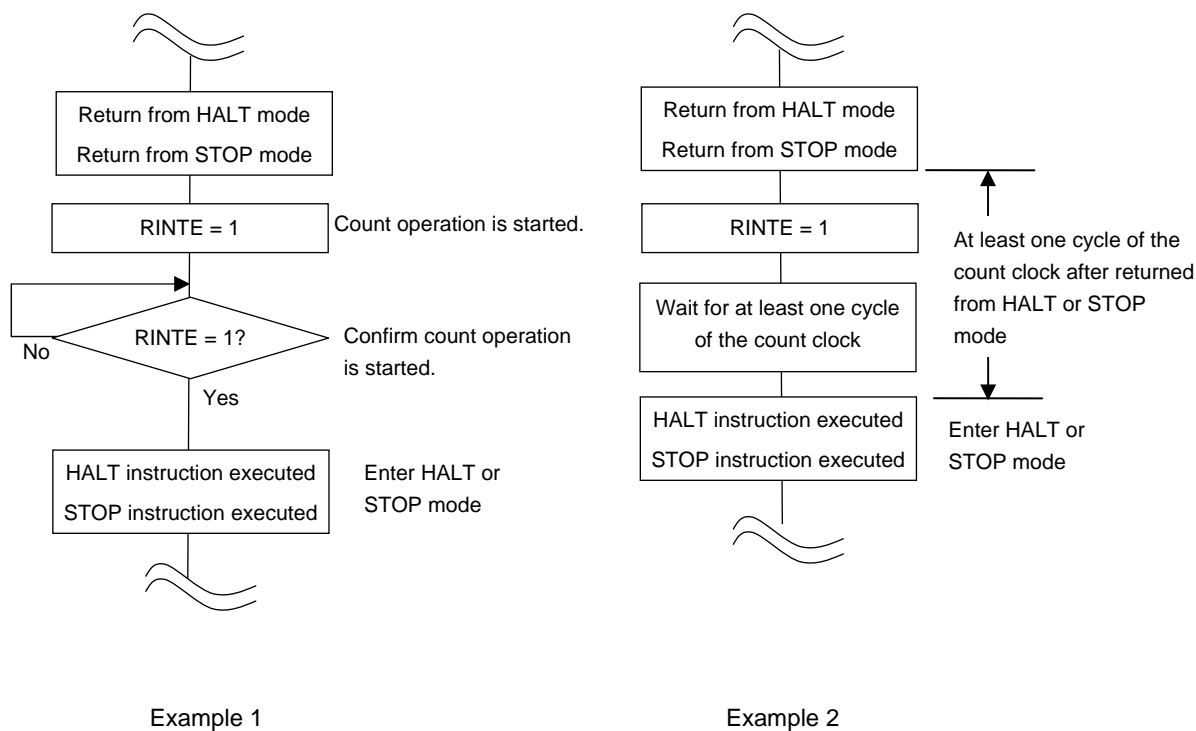


<R> 8.4.2 Start of count operation and re-enter to HALT/STOP mode after returned from HALT/STOP mode

When setting the RINTE bit after returned from HALT or STOP mode and entering HALT or STOP mode again, write 1 to the RINTE bit, and confirm the written value of the RINTE bit is reflected or wait for at least one cycle of the count clock. Then, enter HALT or STOP mode.

- After setting RINTE to 1, confirm by polling that the RINTE bit has become 1, and then enter HALT or STOP mode (see Example 1 in Figure 8-6).
- After setting RINTE to 1, wait for at least one cycle of the count clock and then enter HALT or STOP mode (see Example 2 in Figure 8-6).

Figure 8-6. Procedure of Entering to HALT or STOP Mode after Setting RINTE to 1



CHAPTER 9 CLOCK OUTPUT/BUZZER OUTPUT CONTROLLER

The number of output pins of the clock output and buzzer output controllers differs, depending on the product.

Output pin	32-pin	44, 48, 52, 64-pin
PCLBUZ0	√	√
PCLBUZ1	–	√

Caution Most of the following descriptions in this chapter use the 64-pin as an example.

9.1 Functions of Clock Output/Buzzer Output Controller

The clock output controller is intended for carrier output during remote controlled transmission and clock output for supply to peripheral ICs.

Buzzer output is a function to output a square wave of buzzer frequency.

One pin can be used to output a clock or buzzer sound.

Two output pins, PCLBUZ0 and PCLBUZ1, are available.

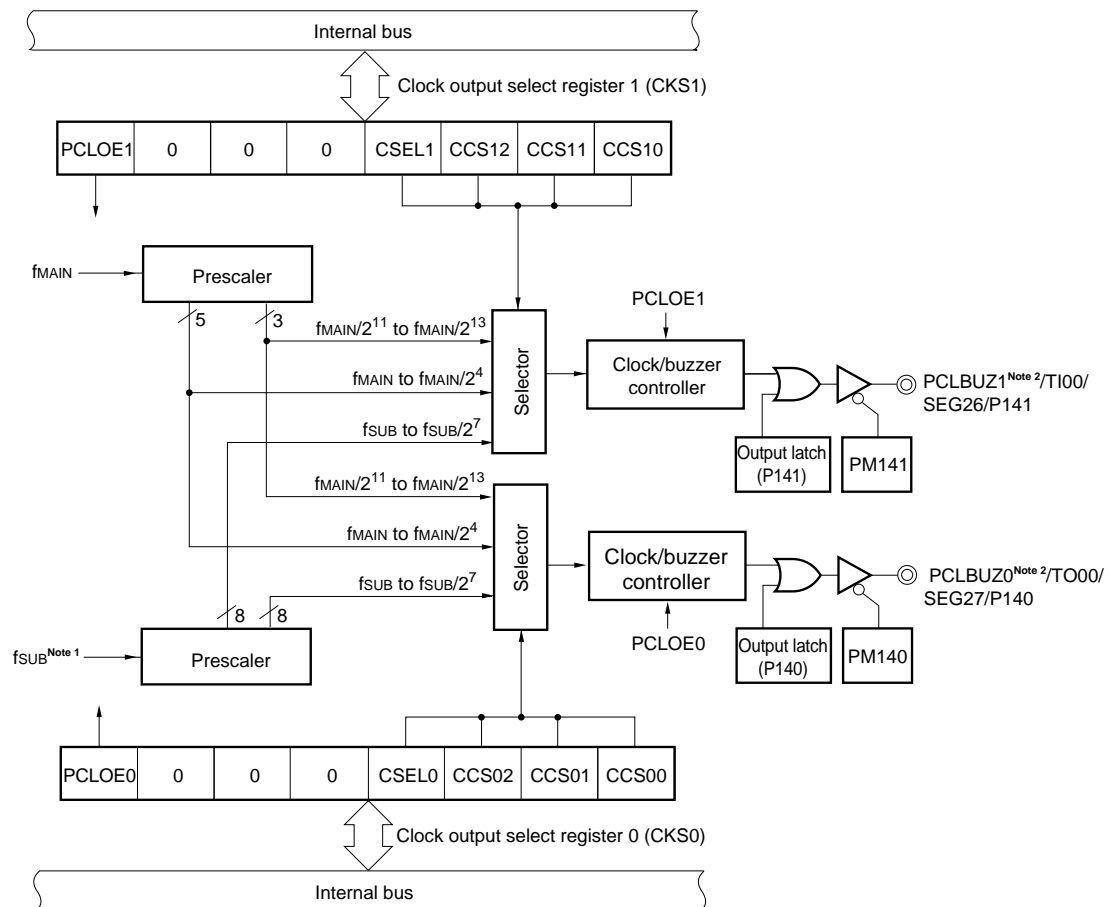
The PCLBUZn pin outputs a clock selected by clock output select register n (CKSn).

Figure 9-1 shows the block diagram of clock output/buzzer output controller.

<R> **Caution** It is not possible to output the subsystem clock (f_{SUB}) from the PCLBUZn pin while the RTCLPC bit of the subsystem clock supply mode control register (OSMC), which controls the supply of the subsystem clock, is set to 1 and moreover while HALT mode is set with the subsystem clock (f_{SUB}) selected as CPU clock.

Remark n = 0, 1

Figure 9-1. Block Diagram of Clock Output/Buzzer Output Controller



- Notes**
1. Do not select f_{SUB} as the clock output from the clock output/buzzer output controller when the WUTMMCK0 bit of the OSMC register is set to 1.
 2. For output frequencies available from PCLBUZ0 and PCLBUZ1, refer **30.4 AC Characteristics**.

Remark PCLBUZ0 pin in above diagram shows the information of 48- to 64-pins products with PIOR1 = 0. In other cases, the name of pins, output latches (Pxx) and PMxx should be read differently (xx = 50).

9.2 Configuration of Clock Output/Buzzer Output Controller

The clock output/buzzer output controller includes the following hardware.

Table 9-1. Configuration of Clock Output/Buzzer Output Controller

Item	Configuration
Control registers	Peripheral enable register 0 (PER0) Clock output select registers n (CKSn) Port mode registers 5, 14 (PM5, PM14) Port registers 5, 14 (P5, P14)

9.3 Registers Controlling Clock Output/Buzzer Output Controller

The following three registers are used to control the clock output/buzzer output controller.

- Peripheral enable register 0 (PER0)
- Clock output select registers n (CKSn)
- Port mode registers 5, 14 (PM5, PM14)

9.3.1 Peripheral enable register 0 (PER0)

This register is used to enable or disable supplying the clock to the peripheral hardware. Clock supply to a hardware macro that is not used is stopped in order to reduce the power consumption and noise.

When the clock output/buzzer output controller is used in subsystem clock (f_{SUB}), be sure to set bit 7 (RTCEN) of this register to 1.

The PER0 register can be set by a 1-bit or 8-bit memory manipulation instruction.

Reset signal generation clears this register to 00H.

Figure 9-2. Format of Peripheral Enable Register 0 (PER0)

Address: F00F0H After reset: 00H R/W

Symbol	<7>	6	<5>	<4>	3	<2>	1	<0>
PER0	RTCEN	0	ADCEN	IICA0EN	0	SAU0EN	0	TAU0EN

RTCEN	Real-time clock (RTC) and 12-bit interval timer	LCD driver/controller and clock output/buzzer output controller	
		When subsystem clock (f_{SUB}) is selected	When subsystem clock (f_{SUB}) is not selected
0	Stops input clock supply. <ul style="list-style-type: none"> SFR used by the real-time clock (RTC) and 12-bit interval timer cannot be written. The real-time clock (RTC) and 12-bit interval timer are in the reset status. 	Stops input clock and subsystem clock supply. <ul style="list-style-type: none"> SFR used by the LCD driver/controller and clock output/buzzer output can be read and written. 	Enables input clock and main system clock supply. <ul style="list-style-type: none"> SFR used by the LCD driver/controller and clock output/buzzer output can be read and written.
1	Enables input clock supply. <ul style="list-style-type: none"> SFR used by the real-time clock (RTC) and 12-bit interval timer can be read and written. 	Enables input clock and subsystem clock supply. <ul style="list-style-type: none"> SFR used by the LCD driver/controller and clock output/buzzer output can be read and written. 	

Caution Be sure to clear the bits 1, 3 and 6 to 0.

9.3.2 Clock output select registers n (CKSn)

These registers set output enable/disable for clock output or for the buzzer frequency output pin (PCLBUZn), and set the output clock.

Select the clock to be output from the PCLBUZn pin by using the CKSn register.

The CKSn register are set by a 1-bit or 8-bit memory manipulation instruction.

Reset signal generation clears these registers to 00H.

Figure 9-3. Format of Clock Output Select Register n (CKSn)

Address: FFFA5H (CKS0), FFFA6H (CKS1) After reset: 00H R/W

Symbol	<7>	6	5	4	3	2	1	0
CKSn	PCLOEn	0	0	0	CSELn	CCSn2	CCSn1	CCSn0

PCLOEn	PCLBUZn pin output enable/disable specification
0	Output disable (default)
1	Output enable

CSELn	CCSn2	CCSn1	CCSn0	PCLBUZn pin output clock selection				
					f _{MAIN} = 5 MHz	f _{MAIN} = 10 MHz	f _{MAIN} = 20 MHz	f _{MAIN} = 24 MHz
0	0	0	0	f _{MAIN}	5 MHz	10 MHz ^{Note 1}	Setting prohibited ^{Note 1}	Setting prohibited ^{Note 1}
0	0	0	1	f _{MAIN} /2	2.5 MHz	5 MHz	10 MHz ^{Note 1}	12 MHz ^{Note 1}
0	0	1	0	f _{MAIN} /2 ²	1.25 MHz	2.5 MHz	5 MHz	6 MHz
0	0	1	1	f _{MAIN} /2 ³	625 kHz	1.25 MHz	2.5 MHz	3 MHz
0	1	0	0	f _{MAIN} /2 ⁴	312.5 kHz	625 kHz	1.25 MHz	1.5 MHz
0	1	0	1	f _{MAIN} /2 ¹¹	2.44 kHz	4.88 kHz	9.76 kHz	11.7 kHz
0	1	1	0	f _{MAIN} /2 ¹²	1.22 kHz	2.44 kHz	4.88 kHz	5.86 kHz
0	1	1	1	f _{MAIN} /2 ¹³	610 Hz	1.22 kHz	2.44 kHz	2.93 kHz
1	0	0	0	f _{SUB} ^{Note 2}	32.768 kHz			
1	0	0	1	f _{SUB} /2 ^{Note 2}	16.384 kHz			
1	0	1	0	f _{SUB} /2 ² ^{Note 2}	8.192 kHz			
1	0	1	1	f _{SUB} /2 ³ ^{Note 2}	4.096 kHz			
1	1	0	0	f _{SUB} /2 ⁴ ^{Note 2}	2.048 kHz			
1	1	0	1	f _{SUB} /2 ⁵ ^{Note 2}	1.024 kHz			
1	1	1	0	f _{SUB} /2 ⁶ ^{Note 2}	512 Hz			
1	1	1	1	f _{SUB} /2 ⁷ ^{Note 2}	256 Hz			

(Notes, Cautions, and Remarks are listed on the next page.)

Notes 1. Use the output clock within a range of 16 MHz. Furthermore, when using the output clock at $2.7\text{ V} \leq V_{DD} < 4.0\text{ V}$, can be use it within 8 MHz only. See **30.4** or **31.4 AC Characteristics** for details.

2. Do not select f_{SUB} as the clock output from the clock output/buzzer output controller when the WUTMMCK0 bit of the OSMC register is set to 1.

Cautions 1. Change the output clock after disabling clock output ($PCLOEn = 0$).

<R> 2. To shift to STOP mode when the main system clock is selected ($CSELn = 0$), set $PCLOEn = 0$ before executing the STOP instruction. When the subsystem clock is selected ($CSELn = 1$), $PCLOEn = 1$ can be set because the clock can be output while the RTCLPC bit of the subsystem clock supply mode control (OSMC) register is set to 0 and moreover while STOP mode is set.

<R> 3. It is not possible to output the subsystem clock (f_{SUB}) from the PCLBUZn pin while the RTCLPC bit of the subsystem clock supply mode control register (OSMC) is set to 1 and moreover while HALT mode is set with the subsystem clock (f_{SUB}) selected as CPU clock.

Remarks 1. $n = 0, 1$

2. f_{MAIN} : Main system clock frequency

f_{SUB} : Subsystem clock frequency

9.3.3 Port mode registers 5, 14 (PM5, PM14)

These registers set input/output of port 5, 14 in 1-bit units.

When using the P50/INTP5/SEG7/(PCLBUZ0), P140/PCLBUZ0/TO00/SEG27 and P141/PCLBUZ1/TI00/SEG26 pins for clock output and buzzer output, clear PM50, PM140 and PM141 bits and the output latches of P50, P140 and P141 to 0.

The PM5 and PM14 registers can be set by a 1-bit or 8-bit memory manipulation instruction.

Reset signal generation sets these registers to FFH.

Figure 9-4. Format of Port Mode Registers 5, 14 (PM5, PM14)

Address:	FFF25H	After reset:	FFH	R/W					
Symbol	7	6	5	4	3	2	1	0	
PM5	1	1	1	PM54	PM53	PM52	PM51	PM50	

Address:	FFF2EH	After reset:	FFH	R/W				
Symbol	7	6	5	4	3	2	1	0
PM14	PM147	PM146	PM145	PM144	PM143	PM142	PM141	PM140

PMmn	Pmn pin I/O mode selection (mn = 50 to 54, 140 to 147)
0	Output mode (output buffer on)
1	Input mode (output buffer off)

9.4 Operations of Clock Output/Buzzer Output Controller

One pin can be used to output a clock or buzzer sound.

The PCLBUZ0 pin outputs a clock/buzzer selected by the clock output select register 0 (CKS0).

The PCLBUZ1 pin outputs a clock/buzzer selected by the clock output select register 1 (CKS1).

9.4.1 Operation as output pin

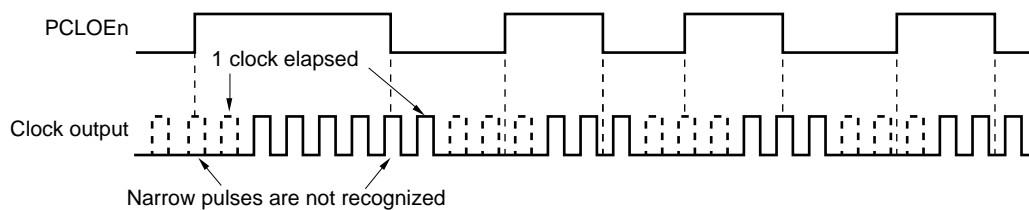
The PCLBUZn pin is output as the following procedure.

- <R>
- <1> Set 0 in the bit of the port mode register (PMxx) and port register (Px) which correspond to the port which has a pin used as the PCLBUZ0 pin.
 - <2> Select the output frequency with bits 0 to 3 (CCSn0 to CCSn2, CSELn) of the clock output select register (CKSn) of the PCLBUZn pin (output in disabled status).
 - <3> Set bit 7 (PCLOEn) of the CKSn register to 1 to enable clock/buzzer output.

Remarks 1. The controller used for outputting the clock starts or stops outputting the clock one clock after enabling or disabling clock output (PCLOEn bit) is switched. At this time, pulses with a narrow width are not output. Figure 9-5 shows enabling or stopping output using the PCLOEn bit and the timing of outputting the clock.

2. n = 0, 1

Figure 9-5. Timing of Outputting Clock from PCLBUZn Pin



9.5 Cautions of clock output/buzzer output controller

When the main system clock is selected for the PCLBUZn output (CSELn = 0), if STOP or HALT mode is entered within 1.5 main system clock cycles after the output is disabled (PCLOEn = 0), the PCLBUZn output width becomes shorter.

CHAPTER 10 WATCHDOG TIMER

10.1 Functions of Watchdog Timer

<R> The counting operation of the watchdog timer is set by the option byte (000C0H).

The watchdog timer operates on the low-speed on-chip oscillator clock (f_{IL}).

The watchdog timer is used to detect an inadvertent program loop. If a program loop is detected, an internal reset signal is generated.

Program loop is detected in the following cases.

- If the watchdog timer counter overflows
- If a 1-bit manipulation instruction is executed on the watchdog timer enable register (WDTE)
- If data other than "ACH" is written to the WDTE register
- If data is written to the WDTE register during a window close period

When a reset occurs due to the watchdog timer, bit 4 (WDTRF) of the reset control flag register (RESF) is set to 1. For details of the RESF register, see **CHAPTER 20 RESET FUNCTION**.

When $75\% + 1/2f_{IL}$ of the overflow time is reached, an interval interrupt can be generated.

10.2 Configuration of Watchdog Timer

The watchdog timer includes the following hardware.

Table 10-1. Configuration of Watchdog Timer

<R>

Item	Configuration
Counter	Internal counter (17 bits)
Control register	Watchdog timer enable register (WDTE)

How the counter operation is controlled, overflow time, window open period, and interval interrupt are set by the option byte.

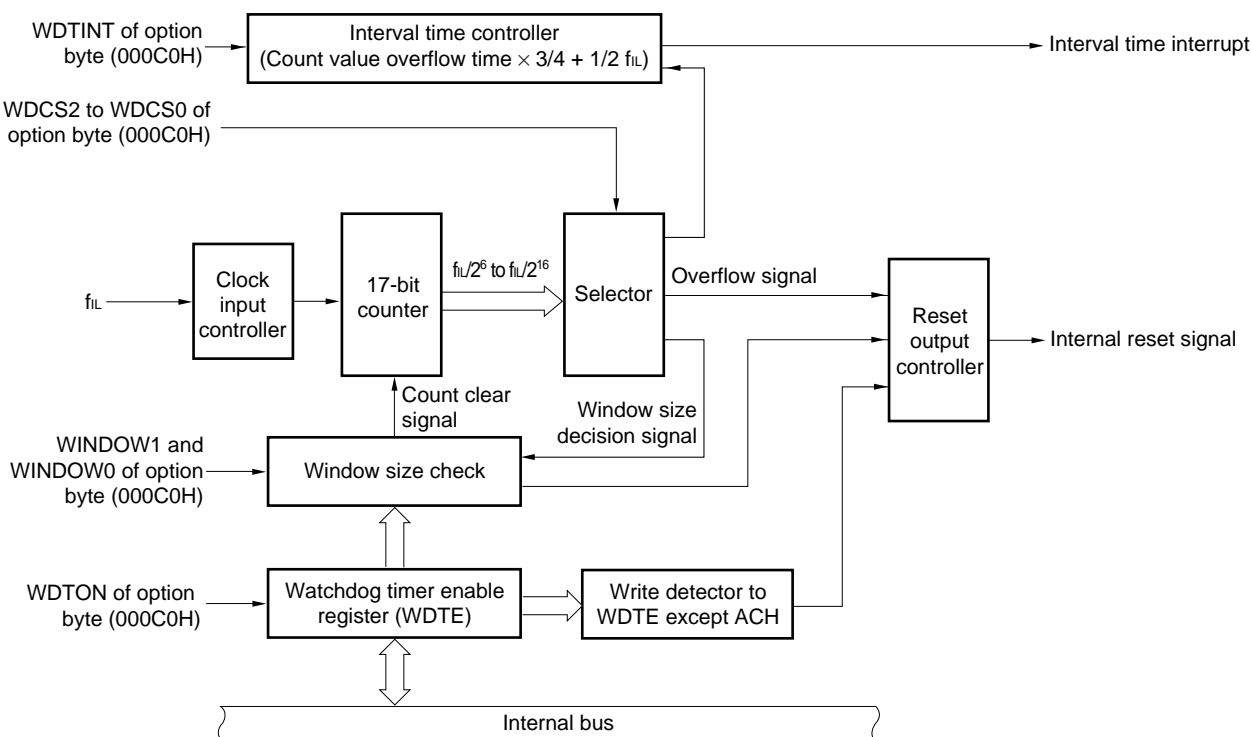
Table 10-2. Setting of Option Bytes and Watchdog Timer

Setting of Watchdog Timer	Option Byte (000C0H)
Watchdog timer interval interrupt	Bit 7 (WDTINT)
Window open period	Bits 6 and 5 (WINDOW1, WINDOW0)
Controlling counter operation of watchdog timer	Bit 4 (WDTON)
Overflow time of watchdog timer	Bits 3 to 1 (WDCS2 to WDCS0)
Controlling counter operation of watchdog timer (in HALT/STOP mode)	Bit 0 (WDSTBYON)

Remark For the option byte, see **CHAPTER 25 OPTION BYTE**.

<R>

Figure 10-1. Block Diagram of Watchdog Timer



Remark f_{IL}: Low-speed on-chip oscillator clock frequency

10.3 Register Controlling Watchdog Timer

The watchdog timer is controlled by the watchdog timer enable register (WDTE).

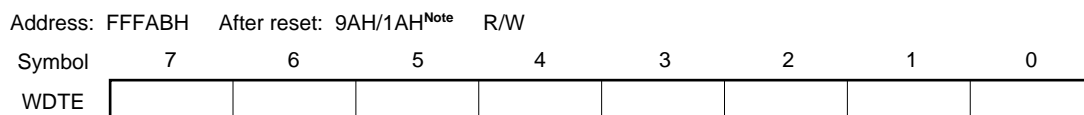
(1) Watchdog timer enable register (WDTE)

Writing "ACH" to the WDTE register clears the watchdog timer counter and starts counting again.

This register can be set by an 8-bit memory manipulation instruction.

Reset signal generation sets this register to 9AH or 1AH^{Note}.

Figure 10-2. Format of Watchdog Timer Enable Register (WDTE)



Note The WDTE register reset value differs depending on the WDTON bit setting value of the option byte (000C0H). To operate watchdog timer, set the WDTON bit to 1.

WDTON Bit Setting Value	WDTE Register Reset Value
0 (watchdog timer count operation disabled)	1AH
1 (watchdog timer count operation enabled)	9AH

- Cautions**
1. If a value other than "ACH" is written to the WDTE register, an internal reset signal is generated.
 2. If a 1-bit memory manipulation instruction is executed for the WDTE register, an internal reset signal is generated.
 3. The value read from the WDTE register is 9AH/1AH (this differs from the written value (ACH)).

10.4 Operation of Watchdog Timer

10.4.1 Controlling operation of watchdog timer

1. When the watchdog timer is used, its operation is specified by the option byte (000C0H).
 - Enable counting operation of the watchdog timer by setting bit 4 (WDTON) of the option byte (000C0H) to 1 (the counter starts operating after a reset release) (for details, see **CHAPTER 25**).

WDTON	Watchdog Timer Counter
0	Counter operation disabled (counting stopped after reset)
1	Counter operation enabled (counting started after reset)

- Set an overflow time by using bits 3 to 1 (WDCS2 to WDCS0) of the option byte (000C0H) (for details, see **10.4.2** and **CHAPTER 25**).
 - Set a window open period by using bits 6 and 5 (WINDOW1 and WINDOW0) of the option byte (000C0H) (for details, see **10.4.3** and **CHAPTER 25**).
2. After a reset release, the watchdog timer starts counting.
 3. By writing "ACH" to the watchdog timer enable register (WDTE) after the watchdog timer starts counting and before the overflow time set by the option byte, the watchdog timer is cleared and starts counting again.
 4. After that, write the WDTE register the second time or later after a reset release during the window open period. If the WDTE register is written during a window close period, an internal reset signal is generated.
 5. If the overflow time expires without "ACH" written to the WDTE register, an internal reset signal is generated. An internal reset signal is generated in the following cases.
 - If a 1-bit manipulation instruction is executed on the WDTE register
 - If data other than "ACH" is written to the WDTE register

- Cautions**
1. When data is written to the watchdog timer enable register (WDTE) for the first time after reset release, the watchdog timer is cleared in any timing regardless of the window open time, as long as the register is written before the overflow time, and the watchdog timer starts counting again.
 2. After "ACH" is written to the WDTE register, an error of up to 2 clocks (f_{IL}) may occur before the watchdog timer counter is cleared.
 3. The watchdog timer can be cleared immediately before the count value overflows.

<R>

Cautions 4. The operation of the watchdog timer in the HALT, STOP, and SNOOZE modes differs as follows depending on the set value of bit 0 (WDSTBYON) of the option byte (000C0H).

	WDSTBYON = 0	WDSTBYON = 1
In HALT mode	Watchdog timer operation stops.	Watchdog timer operation continues.
In STOP mode		
In SNOOZE mode		

If WDSTBYON = 0, the watchdog timer resumes counting after the HALT or STOP mode is released. At this time, the counter is cleared to 0 and counting starts.

When operating with the X1 oscillation clock after releasing the STOP mode, the CPU starts operating after the oscillation stabilization time has elapsed.

Therefore, if the period between the STOP mode release and the watchdog timer overflow is short, an overflow occurs during the oscillation stabilization time, causing a reset.

Consequently, set the overflow time in consideration of the oscillation stabilization time when operating with the X1 oscillation clock and when the watchdog timer is to be cleared after the STOP mode release by an interval interrupt.

10.4.2 Setting overflow time of watchdog timer

Set the overflow time of the watchdog timer by using bits 3 to 1 (WDCS2 to WDCS0) of the option byte (000C0H).

If an overflow occurs, an internal reset signal is generated. The present count is cleared and the watchdog timer starts counting again by writing “ACH” to the watchdog timer enable register (WDTE) during the window open period before the overflow time.

The following overflow times can be set.

Table 10-3. Setting of Overflow Time of Watchdog Timer

WDCS2	WDCS1	WDCS0	Overflow Time of Watchdog Timer (f _{IL} = 17.25 kHz (MAX.))
0	0	0	2 ⁶ /f _{IL} (3.71 ms)
0	0	1	2 ⁷ /f _{IL} (7.42 ms)
0	1	0	2 ⁸ /f _{IL} (14.84 ms)
0	1	1	2 ⁹ /f _{IL} (29.68 ms)
1	0	0	2 ¹¹ /f _{IL} (118.72 ms)
1	0	1	2 ¹³ /f _{IL} (474.89 ms)
1	1	0	2 ¹⁴ /f _{IL} (949.79 ms)
1	1	1	2 ¹⁶ /f _{IL} (3799.18 ms)

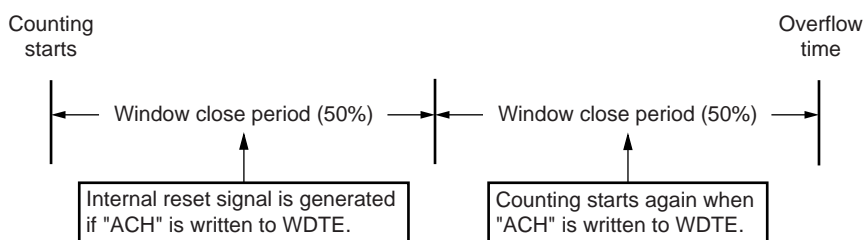
Remark f_{IL}: Low-speed on-chip oscillator clock frequency

10.4.3 Setting window open period of watchdog timer

Set the window open period of the watchdog timer by using bits 6 and 5 (WINDOW1, WINDOW0) of the option byte (000C0H). The outline of the window is as follows.

- If "ACH" is written to the watchdog timer enable register (WDTE) during the window open period, the watchdog timer is cleared and starts counting again.
- Even if "ACH" is written to the WDTE register during the window close period, an abnormality is detected and an internal reset signal is generated.

Example: If the window open period is 50%



Caution When data is written to the WDTE register for the first time after reset release, the watchdog timer is cleared in any timing regardless of the window open time, as long as the register is written before the overflow time, and the watchdog timer starts counting again.

The window open period can be set is as follows.

Table 10-4. Setting Window Open Period of Watchdog Timer

WINDOW1	WINDOW0	Window Open Period of Watchdog Timer
0	0	Setting prohibited
0	1	50%
1	0	75%
1	1	100%

Caution When bit 0 (WDSTBYON) of the option byte (000C0H) = 0, the window open period is 100% regardless of the values of the WINDOW1 and WINDOW0 bits.

Remark If the overflow time is set to $2^9/f_{IL}$, the window close time and open time are as follows.

	Setting of Window Open Period		
	50%	75%	100%
Window close time	0 to 20.08 ms	0 to 10.04 ms	None
Window open time	20.08 to 29.68 ms	10.04 to 29.68 ms	0 to 29.68 ms

<When window open period is 50%>

- Overflow time:
 $2^9/f_{IL} \text{ (MAX.)} = 2^9/17.25 \text{ kHz} = 29.68 \text{ ms}$
- Window close time:
 $0 \text{ to } 2^9/f_{IL} \text{ (MIN.)} \times (1 - 0.5) = 0 \text{ to } 2^9/12.75 \text{ kHz} \times 0.5 = 0 \text{ to } 20.08 \text{ ms}$
- Window open time:
 $2^9/f_{IL} \text{ (MIN.)} \times (1 - 0.5) \text{ to } 2^9/f_{IL} \text{ (MAX.)} = 2^9/12.75 \text{ kHz} \times 0.5 \text{ to } 2^9/17.25 \text{ kHz} = 20.08 \text{ to } 29.68 \text{ ms}$

10.4.4 Setting watchdog timer interval interrupt

Depending on the setting of bit 7 (WDTINT) of an option byte (000C0H), an interval interrupt (INTWDTI) can be generated when $75\% + 1/2f_{IL}$ of the overflow time is reached.

Table 10-5. Setting of Watchdog Timer Interval Interrupt

WDTINT	Use of Watchdog Timer Interval Interrupt
0	Interval interrupt is used.
1	Interval interrupt is generated when $75\% + 1/2f_{IL}$ of overflow time is reached.

Caution When operating with the X1 oscillation clock after releasing the STOP mode, the CPU starts operating after the oscillation stabilization time has elapsed. Therefore, if the period between the STOP mode release and the watchdog timer overflow is short, an overflow occurs during the oscillation stabilization time, causing a reset. Consequently, set the overflow time in consideration of the oscillation stabilization time when operating with the X1 oscillation clock and when the watchdog timer is to be cleared after the STOP mode release by an interval interrupt.

Remark The watchdog timer continues counting even after INTWDTI is generated (until ACH is written to the watchdog timer enable register (WDTE)). If ACH is not written to the WDTE register before the overflow time, an internal reset signal is generated.

CHAPTER 11 A/D CONVERTER

The number of analog input channels of the A/D converter differs, depending on the product.

	32-pin	44-pin	48-pin	52, 64-pin
Analog input channels	4 ch (ANI0, ANI1, ANI18, ANI19)	7 ch (ANI0, ANI1, ANI17 to ANI21)	9 ch (ANI0, ANI1, ANI16 to ANI22)	10 ch (ANI0, ANI1, ANI16 to ANI23)

Caution Most of the following descriptions in this chapter use the 64-pin as an example.

11.1 Function of A/D Converter

<R> The A/D converter is used to convert analog input signals into digital values, and is configured to control analog inputs, including up to 10 channels of A/D converter analog inputs (ANI0, ANI1 and ANI16 to ANI23). 10-bit or 8-bit resolution can be selected by the ADTYP bit of the A/D converter mode register 2 (ADM2).

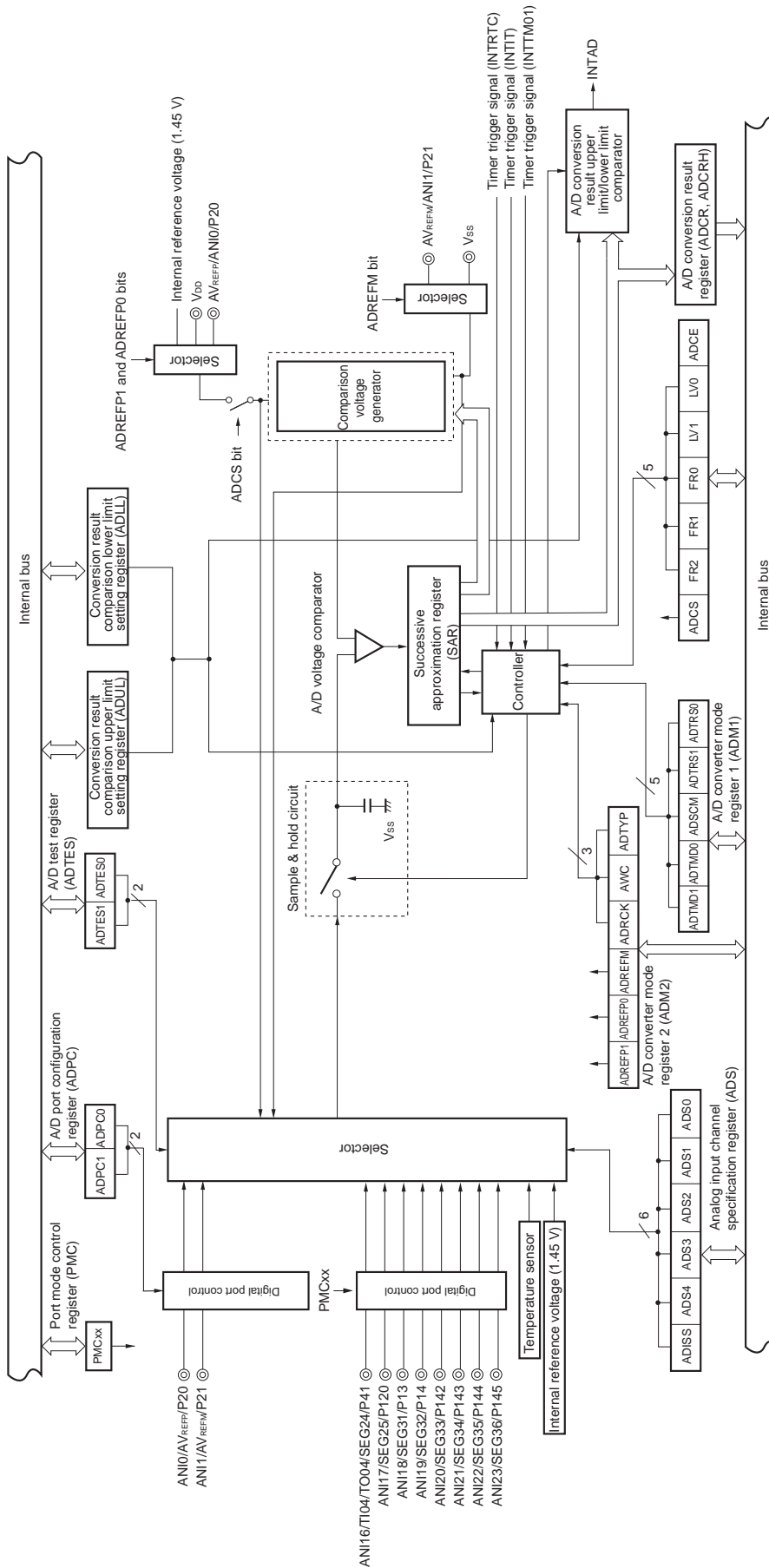
The A/D converter has the following function.

- <R> • **10-bit resolution A/D conversion**^{Note}
 10-bit resolution A/D conversion is carried out repeatedly for one analog input channel selected from ANI0, ANI1 and ANI16 to ANI23. Each time an A/D conversion operation ends, an interrupt request (INTAD) is generated.

Various A/D conversion modes can be specified by using the mode combinations below.

<R> Trigger mode	Software trigger	Conversion is started by software.
	Hardware trigger no-wait mode	Conversion is started by detecting a hardware trigger.
	Hardware trigger wait mode	The power is turned on by detecting a hardware trigger while the system is off and in the conversion standby state, and conversion is then started automatically after the stabilization wait time passes. When using the SNOOZE mode function, specify the hardware trigger wait mode.
Conversion operation mode	One-shot conversion mode	A/D conversion is performed on the selected channel once.
	Sequential conversion mode	A/D conversion is sequentially performed on the selected channels until it is stopped by software.
Operation voltage mode	Standard 1 or standard 2 mode	Conversion is done in the operation voltage range of $2.7\text{ V} \leq V_{DD} \leq 5.5\text{ V}$.
	Low voltage 1 or low voltage 2 mode	Conversion is done in the operation voltage range of $1.6\text{ V} \leq V_{DD} \leq 5.5\text{ V}$. Select this mode for conversion at a low voltage. Because the operation voltage is low, it is internally boosted during conversion.
Sampling time selection	Sampling clock cycles: $7 f_{AD}$	The sampling time in standard 1 or low voltage 1 mode is seven cycles of the conversion clock (f_{AD}). Select this mode when the output impedance of the analog input source is high and the sampling time should be long.
	Sampling clock cycles: $5 f_{AD}$	The sampling time in standard 2 or low voltage 2 mode is five cycles of the conversion clock (f_{AD}). Select this mode when enough sampling time is ensured (for example, when the output impedance of the analog input source is low).

Figure 11-1. Block Diagram of A/D Converter



Remark Analog input pin for figure 11-1 when a 64-pin product is used.

<R>

11.2 Configuration of A/D Converter

The A/D converter includes the following hardware.

(1) ANI0, ANI1 and ANI16 to ANI23 pins

These are the analog input pins of the 10 channels of the A/D converter. They input analog signals to be converted into digital signals. Pins other than the one selected as the analog input pin can be used as I/O port pins.

(2) Sample & hold circuit

The sample & hold circuit samples each of the analog input voltages sequentially sent from the input circuit, and sends them to the A/D voltage comparator. This circuit also holds the sampled analog input voltage during A/D conversion.

(3) A/D voltage comparator

This A/D voltage comparator compares the voltage generated from the voltage tap of the comparison voltage generator with the analog input voltage. If the analog input voltage is found to be greater than the reference voltage ($1/2 AV_{REF}$) as a result of the comparison, the most significant bit (MSB) of the successive approximation register (SAR) is set. If the analog input voltage is less than the reference voltage ($1/2 AV_{REF}$), the MSB bit of the SAR is reset.

After that, bit 8 of the SAR register is automatically set, and the next comparison is made. The voltage tap of the comparison voltage generator is selected by the value of bit 9, to which the result has been already set.

Bit 9 = 0: ($1/4 AV_{REF}$)

Bit 9 = 1: ($3/4 AV_{REF}$)

The voltage tap of the comparison voltage generator and the analog input voltage are compared and bit 8 of the SAR register is manipulated according to the result of the comparison.

Analog input voltage \geq Voltage tap of comparison voltage generator: Bit 8 = 1

Analog input voltage \leq Voltage tap of comparison voltage generator: Bit 8 = 0

Comparison is continued like this to bit 0 of the SAR register.

When performing A/D conversion at a resolution of 8 bits, the comparison continues until bit 2 of the SAR register.

Remark AV_{REF} : The + side reference voltage of the A/D converter. This can be selected from AV_{REFP} , the internal reference voltage (1.45 V), and V_{DD} .

(4) Comparison voltage generator

The comparison voltage generator generates the comparison voltage input from an analog input pin.

(5) Successive approximation register (SAR)

The SAR register is a register that sets voltage tap data whose values from the comparison voltage generator match the voltage values of the analog input pins, 1 bit at a time starting from the most significant bit (MSB).

If data is set in the SAR register all the way to the least significant bit (LSB) (end of A/D conversion), the contents of the SAR register (conversion results) are held in the A/D conversion result register (ADCR). When all the specified A/D conversion operations have ended, an A/D conversion end interrupt request signal (INTAD) is generated.

(6) 10-bit A/D conversion result register (ADCR)

The A/D conversion result is loaded from the successive approximation register to this register each time A/D conversion is completed, and the ADCR register holds the A/D conversion result in its higher 10 bits (the lower 6 bits are fixed to 0).

(7) 8-bit A/D conversion result register (ADCRH)

The A/D conversion result is loaded from the successive approximation register to this register each time A/D conversion is completed, and the ADCRH register stores the higher 8 bits of the A/D conversion result.

<R> (8) Controller

This circuit controls the conversion time of an input analog signal that is to be converted into a digital signal, as well as starting and stopping of the conversion operation. When A/D conversion has been completed, this controller generates INTAD through the A/D conversion result upper limit/lower limit comparator.

<R> (9) AV_{REFP} pin

This pin inputs an external reference voltage (AV_{REFP}).

If using AV_{REFP} as the + side reference voltage of the A/D converter, set the ADREFP1 and ADREFP0 bits of A/D converter mode register 2 (ADM2) to 0 and 1, respectively.

The analog signals input to ANI16 to ANI23 are converted to digital signals based on the voltage applied between AV_{REFP} and the – side reference voltage (AV_{REFM}/V_{SS}).

In addition to AV_{REFP}, it is possible to select V_{DD} or the internal reference voltage (1.45 V) as the + side reference voltage of the A/D converter.

(10) AV_{REFM} pin

This pin inputs an external reference voltage (AV_{REFM}). If using AV_{REFM} as the – side reference voltage of the A/D converter, set the ADREFM bit of the ADM2 register to 1.

In addition to AV_{REFM}, it is possible to select V_{SS} as the – side reference voltage of the A/D converter.

11.3 Registers Used in A/D Converter

The A/D converter uses the following registers.

- Peripheral enable register 0 (PER0)
- A/D converter mode register 0 (ADM0)
- A/D converter mode register 1 (ADM1)
- A/D converter mode register 2 (ADM2)
- 10-bit A/D conversion result register (ADCR)
- 8-bit A/D conversion result register (ADCRH)
- Analog input channel specification register (ADS)
- Conversion result comparison upper limit setting register (ADUL)
- Conversion result comparison lower limit setting register (ADLL)
- A/D test register (ADTES)
- A/D port configuration register (ADPC)
- Port mode control registers 1, 4, 12, and 14 (PMC1, PMC4, PMC12, PMC14)
- Port mode registers 1, 2, 4, 12, and 14 (PM1, PM2, PM4, PM12, PM14)

11.3.1 Peripheral enable register 0 (PER0)

This register is used to enable or disable supplying the clock to the peripheral hardware. Clock supply to a hardware macro that is not used is stopped in order to reduce the power consumption and noise.

When the A/D converter is used, be sure to set bit 5 (ADCEN) of this register to 1.

The PER0 register can be set by a 1-bit or 8-bit memory manipulation instruction.

Reset signal generation clears this register to 00H.

Figure 11-2. Format of Peripheral Enable Register 0 (PER0)

Address: F00F0H After reset: 00H R/W

Symbol	<7>	6	<5>	<4>	3	<2>	1	<0>
PER0	RTCEN	0	ADCEN	IICA0EN	0	SAU0EN	0	TAU0EN

ADCEN	Control of A/D converter input clock supply
0	Stops input clock supply. <ul style="list-style-type: none"> • SFR used by the A/D converter cannot be written. • The A/D converter is in the reset status.
1	Enables input clock supply. <ul style="list-style-type: none"> • SFR used by the A/D converter can be read/written.

Cautions 1. When setting the A/D converter, be sure to set the following registers first while the ADCEN bit is set to 1. If ADCEN = 0, writing to a control register of the A/D converter is ignored, and, even if the register is read, only the default value is read (except for port mode registers 1, 2, 4, 12, and 14 (PM1, PM2, PM4, PM12, and PM14), port mode registers 1, 2, 4, 12, and 14 (PM1, PM2, PM4, PM12, and PM14), port mode control registers 1, 4, 12, and 14 (PMC1, PMC4, PMC12, PMC14), and A/D port configuration register (ADPC)).

- A/D converter mode register 0 (ADM0)
- A/D converter mode register 1 (ADM1)
- A/D converter mode register 2 (ADM2)
- 10-bit A/D conversion result register (ADCR)
- 8-bit A/D conversion result register (ADCRH)
- Analog input channel specification register (ADS)
- Conversion result comparison upper limit setting register (ADUL)
- Conversion result comparison lower limit setting register (ADLL)
- A/D test register (ADTES).

2. Be sure to clear bits 1, 3, and 6 to 0.

11.3.2 A/D converter mode register 0 (ADM0)

This register sets the conversion time for analog input to be A/D converted, and starts/stops conversion. The ADM0 register can be set by a 1-bit or 8-bit memory manipulation instruction. Reset signal generation clears this register to 00H.

Figure 11-3. Format of A/D Converter Mode Register 0 (ADM0)

Address: FFF30H After reset: 00H R/W

Symbol	<7>	6	5	4	3	2	1	<0>
ADM0	ADCS	0	FR2 ^{Note 1}	FR1 ^{Note 1}	FR0 ^{Note 1}	LV1 ^{Note 1}	LV0 ^{Note 1}	ADCE

ADCS	A/D conversion operation control
0	Stops conversion operation [When read] Conversion stopped/standby status
1	Enables conversion operation [When read] While in the software trigger mode: Conversion operation status While in the hardware trigger wait mode: Stabilization wait status + conversion operation status

ADCE	A/D voltage comparator operation control ^{Note 2}
0	Stops A/D voltage comparator operation
1	Enables A/D voltage comparator operation

- Notes**
1. For details of the FR2 to FR0, LV1, LV0 bits, and A/D conversion, see **Table 11-3 A/D Conversion Time Selection**.
 2. In software trigger mode and hardware trigger no-wait mode, the operation of the A/D voltage comparator is controlled by the ADCS and ADCE bits, and time is required for the conversion value to stabilize after the A/D converter starts operating (1.0 μs). Valid conversion results can therefore be obtained from the first conversion by setting the ADCE bit to 1 and then waiting for the stabilization time (1.0 μs) to elapse before setting the ADCS bit to 1. If the ADCS bit is set to 1 before the stabilization time (1.0 μs) elapses, the first conversion data must be ignored.

- Cautions**
1. **Change the FR2 to FR0, LV1, and LV0 bits while conversion is stopped (ADCS = 0, ADCE = 0).**
 2. **Do not set the ADCS bit to 1 and the ADCE bit to 0 at the same time.**
 3. **Do not change the ADCS and ADCE bits from 0 to 1 at the same time by using an 8-bit manipulation instruction. Be sure to set these bits in the order described in 11.7 A/D Converter Setup Flowchart.**
 4. **Be sure to clear bit 6 to 0.**

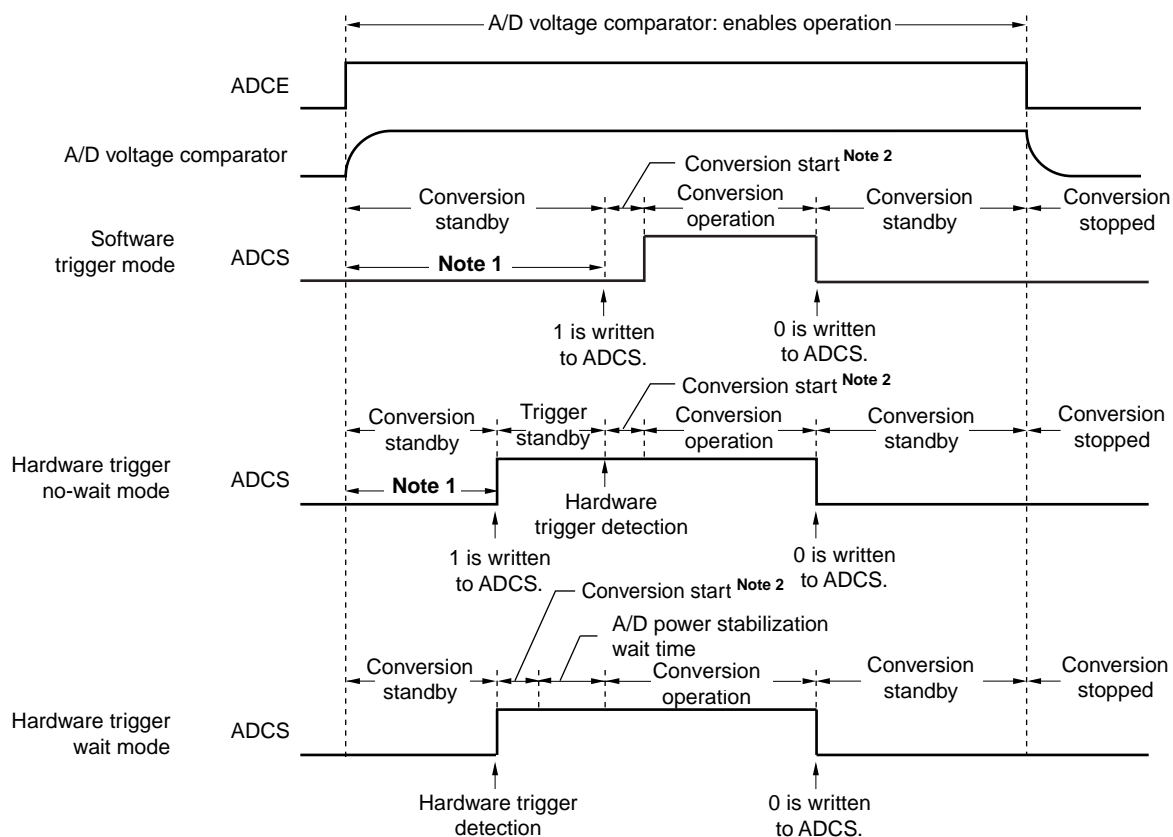
Table 11-1. Settings of ADCS and ADCE Bits

ADCS	ADCE	A/D Conversion Operation
0	0	Stop status
0	1	Conversion standby mode
1	0	Setting prohibited
1	1	Conversion mode

Table 11-2. Setting and Clearing Conditions for ADCS Bit

A/D Conversion Mode		Set Conditions	Clear Conditions	
Software trigger mode	Sequential conversion mode	When 1 is written to ADCS	When 0 is written to ADCS	
	One-shot conversion mode		<ul style="list-style-type: none"> When 0 is written to ADCS The bit is automatically cleared to 0 when A/D conversion ends. 	
Hardware trigger no-wait mode	Sequential conversion mode		When 0 is written to ADCS	
	One-shot conversion mode		When 0 is written to ADCS	
Hardware trigger wait mode	Sequential conversion mode		When a hardware trigger is input	When 0 is written to ADCS
	One-shot conversion mode			<ul style="list-style-type: none"> When 0 is written to ADCS The bit is automatically cleared to 0 when A/D conversion ends.

Figure 11-4. Timing Chart When A/D Voltage Comparator Is Used



- Notes 1.** While in the software trigger mode or hardware trigger no-wait mode, the time from the rising of the ADCE bit to the falling of the ADCS bit must be 1 μs or longer to stabilize the internal circuit.
- 2.** The following time is the maximum amount of time necessary to start conversion.

ADM0			Conversion Clock (f _{AD})	Conversion Start Time (Number of f _{CLK} Clocks)	
FR2	FR1	FR0		Software trigger mode/ Hardware trigger no wait mode	Hardware trigger wait mode
0	0	0	f _{CLK} /64	63	1
0	0	1	f _{CLK} /32	31	
0	1	0	f _{CLK} /16	15	
0	1	1	f _{CLK} /8	7	
1	0	0	f _{CLK} /6	5	
1	0	1	f _{CLK} /5	4	
1	1	0	f _{CLK} /4	3	
1	1	1	f _{CLK} /2	1	

However, for the second and subsequent conversion in sequential conversion mode, the conversion start time and stabilization wait time for A/D power supply do not occur after a hardware trigger is detected.

Remark f_{CLK}: CPU/peripheral hardware clock frequency

(Cautions are listed on the next page.)

- Cautions**
1. If using the hardware trigger wait mode, setting the ADCS bit to 1 is prohibited (but the bit is automatically switched to 1 when the hardware trigger signal is detected). However, it is possible to clear the ADCS bit to 0 to specify the A/D conversion standby status.
 2. While in the one-shot conversion mode of the hardware trigger no-wait mode, the ADCS flag is not automatically cleared to 0 when A/D conversion ends. Instead, 1 is retained.
 - 3 Only rewrite the value of the ADCE bit when ADCS = 0 (while in the conversion stopped/conversion standby status).
 4. To complete A/D conversion, specify at least the following time as the hardware trigger interval:
Hardware trigger no wait mode: $2 f_{\text{CLK}} \text{ clock} + \text{conversion start time} + \text{A/D conversion time}$
Hardware trigger wait mode: $2 f_{\text{CLK}} \text{ clock} + \text{conversion start time} + \text{A/D power supply stabilization wait time} + \text{A/D conversion time}$

<R>

Table 11-3. A/D Conversion Time Selection (1/4)

(1) When there is no stabilization wait time

Normal mode 1, 2 (software trigger mode/hardware trigger no-wait mode)

A/D Converter Mode Register 0 (ADM0)					Mode	Conversion Clock (f _{AD})	Number of Conversion Cycles ^{Note 3}	Conversion Time	Conversion Time Selection					
FR2	FR1	FR0	LV1	LV0					2.7 V ≤ V _{DD} ≤ 5.5 V					
									f _{CLK} = 1 MHz	f _{CLK} = 4 MHz	f _{CLK} = 8 MHz	f _{CLK} = 16 MHz	f _{CLK} = 24 MHz	
0	0	0	0	0	Normal 1	f _{CLK} /64	19 f _{AD} (number of sampling clock cycles: 7 f _{AD})	1216/f _{CLK}	Setting prohibited	Setting prohibited	Setting prohibited	76 μs	50.6667 μs	
0	0	1	f _{CLK} /32	608/f _{CLK}		76 μs		38 μs				25.3333 μs		
0	1	0	f _{CLK} /16	304/f _{CLK}		38 μs		19 μs				12.6667 μs		
0	1	1	f _{CLK} /8	152/f _{CLK}		28.5 μs		14.25 μs				7.125 μs	4.75 μs	
1	0	0	f _{CLK} /6	114/f _{CLK}		95 μs		23.75 μs				11.875 μs	5.938 μs	3.9583 μs
1	0	1	f _{CLK} /5	95/f _{CLK}		76 μs		19 μs				9.5 μs	4.75 μs	3.1667 μs ^{Note 1}
1	1	0	f _{CLK} /4	76/f _{CLK}		38 μs		9.5 μs				4.75 μs	2.375 μs ^{Notes 1, 2}	Setting prohibited
1	1	1	f _{CLK} /2	38/f _{CLK}		38 μs		9.5 μs				4.75 μs	2.375 μs ^{Notes 1, 2}	Setting prohibited
0	0	0	0	1	Normal 2	f _{CLK} /64	17 f _{AD} (number of sampling clock cycles: 5 f _{AD})	1088/f _{CLK}	Setting prohibited	Setting prohibited	Setting prohibited	68 μs	45.3333 μs	
0	0	1	f _{CLK} /32	544/f _{CLK}		68 μs		34 μs				22.6667 μs		
0	1	0	f _{CLK} /16	272/f _{CLK}		34 μs		17 μs				11.3333 μs		
0	1	1	f _{CLK} /8	136/f _{CLK}		25.5 μs		12.75 μs				6.375 μs	4.25 μs	
1	0	0	f _{CLK} /6	102/f _{CLK}		85 μs		21.25 μs				10.625 μs	5.3125 μs	3.5417 μs
1	0	1	f _{CLK} /5	85/f _{CLK}		68 μs		17 μs				8.5 μs	4.25 μs	2.8333 μs ^{Notes 1, 2}
1	1	0	f _{CLK} /4	68/f _{CLK}		34 μs		8.5 μs				4.25 μs	2.125 μs ^{Notes 1, 2}	Setting prohibited
1	1	1	f _{CLK} /2	34/f _{CLK}		34 μs		8.5 μs				4.25 μs	2.125 μs ^{Notes 1, 2}	Setting prohibited

Notes 1. Setting prohibited when V_{DD} < 3.6 V.

2. This value is prohibited when using the temperature sensor.

<R> 3. These are the numbers of clock cycles when conversion is with 10-bit resolution. When eight-bit resolution is selected, the values are shorter by two cycles of the conversion clock (f_{AD}).

<R> **Cautions** 1. The A/D conversion time must also be within the relevant range of conversion times (t_{CONV}) described in 30.6.1 A/D converter characteristics or 31.6.1 A/D converter characteristics.

2. When rewriting the FR2 to FR0, LV1, and LV0 bits to other than the same data, make sure that conversion has stopped (ADCS = 0, ADCE = 0).

3. The above conversion time does not include conversion state time. Conversion state time add in the first conversion. Select conversion time, taking clock frequency errors into consideration.

Remark f_{CLK}: CPU/peripheral hardware clock frequency

Table 11-3. A/D Conversion Time Selection (2/4)

(2) When there is no stabilization wait time ^{Note 1}

Low-voltage mode 1, 2 (software trigger mode/hardware trigger no-wait mode)

A/D Converter Mode Register 0 (ADM0)					Mode	Conversion Clock (f _{AD})	Number of Conversion Clock Cycles ^{Note 8}	Conversion Time	Conversion Time Selection					
FR2	FR1	FR0	LV1	LV0					1.6 V ≤ V _{DD} ≤ 5.5 V	Note 2	Note 3	Note 4		
										f _{CLK} = 1 MHz	f _{CLK} = 4 MHz	f _{CLK} = 8 MHz	f _{CLK} = 16 MHz	f _{CLK} = 24 MHz
0	0	0	1	0	Low-voltage 1	f _{CLK} /64	19 f _{AD} (number of sampling clock cycles: 7 f _{AD})	1216/f _{CLK}	Setting prohibited	Setting prohibited	Setting prohibited	76 μs	50.6667 μs	
0	0	1	f _{CLK} /32	608/f _{CLK}		76 μs		38 μs				25.3333 μs		
0	1	0	f _{CLK} /16	304/f _{CLK}		38 μs ^{Note 7}		19 μs				9.5 μs ^{Note 6}	6.3333 μs	
0	1	1	f _{CLK} /8	152/f _{CLK}		28.5 μs ^{Note 7}		14.25 μs ^{Note 6}				7.125 μs ^{Note 6}	4.75 μs	
1	0	0	f _{CLK} /6	114/f _{CLK}		95 μs		23.75 μs ^{Note 7}				11.875 μs ^{Note 6}	5.938 μs ^{Note 6}	3.9587 μs
1	0	1	f _{CLK} /5	95/f _{CLK}		76 μs		19 μs ^{Note 7}				9.5 μs ^{Note 6}	4.75 μs ^{Note 6}	3.1667 μs ^{Note 5}
1	1	0	f _{CLK} /4	76/f _{CLK}		38 μs ^{Note 7}		9.5 μs ^{Note 6}				4.75 μs ^{Note 6}	2.375 μs ^{Note 5}	Setting prohibited
1	1	1	f _{CLK} /2	38/f _{CLK}										
0	0	0	1	1	Low-voltage 2	f _{CLK} /64	17 f _{AD} (number of sampling clock cycles: 5 f _{AD})	1088/f _{CLK}	Setting prohibited	Setting prohibited	Setting prohibited	68 μs	45.3333 μs	
0	0	1	f _{CLK} /32	544/f _{CLK}		68 μs		34 μs				22.6667 μs		
0	1	0	f _{CLK} /16	272/f _{CLK}		34 μs ^{Note 7}		17 μs				8.5 μs ^{Note 6}	5.6667 μs	
0	1	1	f _{CLK} /8	136/f _{CLK}		25.5 μs ^{Note 7}		12.75 μs ^{Note 6}				6.375 μs ^{Note 6}	4.25 μs	
1	0	0	f _{CLK} /6	102/f _{CLK}		85 μs		21.25 μs ^{Note 7}				10.625 μs ^{Note 6}	5.3125 μs ^{Note 6}	3.5417 μs
1	0	1	f _{CLK} /5	85/f _{CLK}		68 μs		17 μs ^{Note 7}				8.5 μs ^{Note 6}	4.25 μs ^{Note 6}	2.8333 μs ^{Note 5}
1	1	0	f _{CLK} /4	68/f _{CLK}		34 μs ^{Note 7}		8.5 μs ^{Note 6}				4.25 μs ^{Note 6}	2.125 μs ^{Note 5}	Setting prohibited
1	1	1	f _{CLK} /2	34/f _{CLK}										

Notes 1. This mode is prohibited when using the temperature sensors.

- 2. 1.8 V ≤ V_{DD} ≤ 5.5 V
- 3. 2.4 V ≤ V_{DD} ≤ 5.5 V
- 4. 2.7 V ≤ V_{DD} ≤ 5.5 V
- 5. Setting prohibited when V_{DD} < 3.6 V.
- 6. Setting prohibited when V_{DD} < 2.7 V.
- 7. Setting prohibited when V_{DD} < 1.8 V.

<R> 8. These are the numbers of clock cycles when conversion is with 10-bit resolution. When eight-bit resolution is selected, the values are shorter by two cycles of the conversion clock (f_{AD}).

<R> **Cautions 1.** The A/D conversion time must also be within the relevant range of conversion times (t_{CONV}) described in 30.6.1 A/D converter characteristics or 31.6.1 A/D converter characteristics.

- 2. When rewriting the FR2 to FR0, LV1, and LV0 bits to other than the same data, make sure that conversion has stopped (ADCS = 0, ADCE = 0).
- 3. The above conversion time does not include conversion state time. Conversion state time add in the first conversion. Select conversion time, taking clock frequency errors into consideration.

Remark f_{CLK}: CPU/peripheral hardware clock frequency

Table 11-3. A/D Conversion Time Selection (3/4)

(3) When there is stabilization wait time
Normal mode 1, 2 (hardware trigger wait mode ^{Note 1})

A/D Converter Mode Register 0 (ADM0)					Mode	Conversion Clock (f _{AD})	Number of Stabilization Wait Cycles	Number of Conversion Cycles ^{Note 4}	Stabilization Wait Cycles + Conversion Time	Conversion Time Selection					
FR2	FR1	FR0	LV1	LV0						2.7 V ≤ V _{DD} ≤ 5.5 V					
										f _{CLK} = 1 MHz	f _{CLK} = 4 MHz	f _{CLK} = 8 MHz	f _{CLK} = 16 MHz	f _{CLK} = 24 MHz	
0	0	0	0	0	Normal 1	f _{CLK} /64	8 f _{AD}	19 f _{AD} (number of sampling clock cycles: 7 f _{AD})	1728/f _{CLK}	Setting prohibited	Setting prohibited	Setting prohibited	108 μs	72 μs	
0	0	1	f _{CLK} /32	864/f _{CLK}		108 μs			54 μs				36 μs		
0	1	0	f _{CLK} /16	432/f _{CLK}		108 μs			54 μs				27 μs	18 μs	
0	1	1	f _{CLK} /8	216/f _{CLK}		54 μs			27 μs				13.5 μs	9 μs	
1	0	0	f _{CLK} /6	162/f _{CLK}		40.5 μs			20.25 μs				10.125 μs	6.75 μs	
1	0	1	f _{CLK} /5	135/f _{CLK}		135 μs			33.75 μs				16.875 μs	8.4375 μs	5.625 μs
1	1	0	f _{CLK} /4	108/f _{CLK}		108 μs			27 μs				13.5 μs	6.75 μs	4.5 μs
1	1	1	f _{CLK} /2	54/f _{CLK}		54 μs			13.5 μs				6.75 μs	3.375 μs	Setting prohibited ^{Notes 3}
0	0	0	0	1	Normal 2	f _{CLK} /64	8 f _{AD}	17 f _{AD} (number of sampling clock cycles: 5 f _{AD})	1600/f _{CLK}	Setting prohibited	Setting prohibited	Setting prohibited	100 μs	66.6667 μs	
0	0	1	f _{CLK} /32	800/f _{CLK}		100 μs			50 μs				33.3333 μs		
0	1	0	f _{CLK} /16	400/f _{CLK}		100 μs			50 μs				25 μs	16.6667 μs	
0	1	1	f _{CLK} /8	200/f _{CLK}		50 μs			25 μs				12.5 μs	8.3333 μs	
1	0	0	f _{CLK} /6	150/f _{CLK}		37.5 μs			18.75 μs				9.375 μs	6.25 μs	
1	0	1	f _{CLK} /5	125/f _{CLK}		125 μs			31.25 μs				15.625 μs	7.8125 μs	5.2083 μs
1	1	0	f _{CLK} /4	100/f _{CLK}		100 μs			25 μs				12.5 μs	6.25 μs	4.1667 μs ^{Notes 2, 3}
1	1	1	f _{CLK} /2	50/f _{CLK}		50 μs			12.5 μs				6.25 μs	3.125 μs	Setting prohibited ^{Notes 2, 3}

Notes 1. For the second and subsequent conversion in sequential conversion mode, the conversion start time and stabilization wait time for A/D power supply do not occur after a hardware trigger is detected (see **table 12-3 (1/4)**).

- 2. Setting prohibited when V_{DD} < 3.6 V.
- 3. This value is prohibited when using the temperature sensors.

<R> 4. These are the numbers of clock cycles when conversion is with 10-bit resolution. When eight-bit resolution is selected, the values are shorter by two cycles of the conversion clock (f_{AD}).

<R> **Cautions 1.** The A/D conversion time must also be within the relevant range of conversion times (t_{CONV}) described in **30.6.1 A/D converter characteristics** or **31.6.1 A/D converter characteristics**.

- 2. When rewriting the FR2 to FR0, LV1, and LV0 bits to other than the same data, make sure that conversion has stopped (ADCS = 0, ADCE = 0).
- 3. The above conversion time does not include conversion state time. Conversion state time add in the first conversion. Select conversion time, taking clock frequency errors into consideration.
- 4. When hardware trigger wait mode, specify the conversion time, including the stabilization wait time from the hardware trigger detection.

Remark f_{CLK}: CPU/peripheral hardware clock frequency

Table 11-3. A/D Conversion Time Selection (4/4)

(4) When there is no stabilization wait time
 Low-voltage mode 1, 2 ^{Note 1} (hardware trigger wait mode ^{Note 2})

A/D Converter Mode Register 0 (ADM0)					Mode	Conversion Clock (f _{AD})	Number of Stabilization Wait Cycles	Number of Conversion Cycles ^{Note 9}	Stabilization Wait Cycles + Conversion Time	Conversion Time Selection					
FR2	FR1	FR0	LV1	LV0						1.6 V ≤ V _{DD} ≤ 5.5 V					
										f _{CLK} = 1 MHz	f _{CLK} = 4 MHz	f _{CLK} = 8 MHz	f _{CLK} = 16 MHz	f _{CLK} = 24 MHz	
0	0	0	0	0	Low voltage 1	f _{CLK} /64	2 f _{AD}	19 f _{AD} (number of sampling clock cycles: 7 f _{AD})	1344/f _{CLK}	Setting prohibited	Setting prohibited	Setting prohibited	84 μs	56 μs	
0	0	1	f _{CLK} /32	672/f _{CLK}		84 μs			42 μs				28 μs		
0	1	0	f _{CLK} /16	336/f _{CLK}		84 μs			42 μs				21 μs	14 μs	
0	1	1	f _{CLK} /8	168/f _{CLK}		42 μs ^{Note 8}			21 μs				10.5 μs ^{Note 7}	7 μs	
1	0	0	f _{CLK} /6	126/f _{CLK}		31.25 μs ^{Note 8}			15.75 μs ^{Note 7}				7.875 μs ^{Note 7}	5.25 μs	
1	0	1	f _{CLK} /5	105/f _{CLK}		105 μs			26.25 μs ^{Note 8}				13.125 μs ^{Note 7}	6.5625 μs ^{Note 7}	4.375 μs
1	1	0	f _{CLK} /4	84/f _{CLK}		84 μs			21 μs ^{Note 8}				10.5 μs ^{Note 7}	5.25 μs ^{Note 7}	3.5 μs ^{Note 6}
1	1	1	f _{CLK} /2	42/f _{CLK}		42 μs ^{Note 8}			10.5 μs ^{Note 7}				5.25 μs ^{Note 7}	2.625 μs ^{Note 6}	Setting prohibited
0	0	0	0	1	Low voltage 2	f _{CLK} /64	2 f _{AD}	17 f _{AD} (number of sampling clock cycles: 5 f _{AD})	1216/f _{CLK}	Setting prohibited	Setting prohibited	Setting prohibited	76 μs	50.6667 μs	
0	0	1	f _{CLK} /32	608/f _{CLK}		76 μs			38 μs				25.3333 μs		
0	1	0	f _{CLK} /16	304/f _{CLK}		76 μs			38 μs				19 μs	12.6667 μs	
0	1	1	f _{CLK} /8	152/f _{CLK}		38 μs ^{Note 8}			19 μs				9.5 μs ^{Note 7}	6.3333 μs	
1	0	0	f _{CLK} /6	114/f _{CLK}		28.5 μs ^{Note 8}			14.25 μs ^{Note 7}				7.125 μs ^{Note 7}	4.75 μs	
1	0	1	f _{CLK} /5	96/f _{CLK}		96 μs			23.75 μs ^{Note 8}				12 μs ^{Note 7}	5.938 μs ^{Note 7}	4.0 μs
1	1	0	f _{CLK} /4	76/f _{CLK}		76 μs			19 μs ^{Note 8}				9.5 μs ^{Note 7}	4.75 μs ^{Note 7}	3.1667 μs ^{Note 6}
1	1	1	f _{CLK} /2	38/f _{CLK}		38 μs ^{Note 8}			9.5 μs ^{Note 7}				4.75 μs ^{Note 7}	2.375 μs ^{Note 6}	Setting prohibited

Notes 1. This mode is prohibited when using the temperature sensor

2. For the second and subsequent conversion in sequential conversion mode, the conversion start time and stabilization wait time for A/D power supply do not occur after a hardware trigger is detected (see **table 12-3 (2/4)**).
3. 1.8 V ≤ V_{DD} ≤ 5.5 V
4. 2.4 V ≤ V_{DD} ≤ 5.5 V
5. 2.7 V ≤ V_{DD} ≤ 5.5 V
6. Setting prohibited when V_{DD} < 3.6 V.
7. Setting prohibited when V_{DD} < 2.7 V.
8. Setting prohibited when V_{DD} < 1.8 V.

<R> 9. These are the numbers of clock cycles when conversion is with 10-bit resolution. When eight-bit resolution is selected, the values are shorter by two cycles of the conversion clock (f_{AD}).

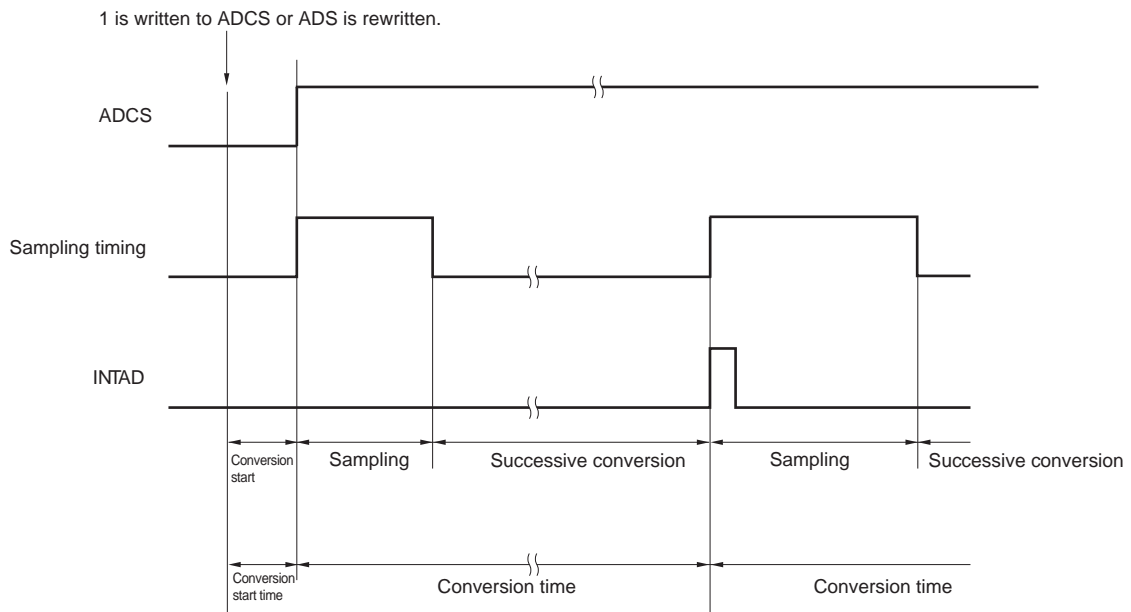
<R> **Cautions 1.** The A/D conversion time must also be within the relevant range of conversion times (t_{CONV}) described in 30.6.1 A/D converter characteristics or 31.6.1 A/D converter characteristics.

2. When rewriting the FR2 to FR0, LV1, and LV0 bits to other than the same data, make sure that conversion has stopped (ADCS = 0, ADCE = 0).

3. The above conversion time does not include conversion state time. Conversion state time add in the first conversion. Select conversion time, taking clock frequency errors into consideration.
4. When hardware trigger wait mode, specify the conversion time, including the stabilization wait time from the hardware trigger detection.

Remark f_{CLK} : CPU/peripheral hardware clock frequency

<R> **Figure 11-5. A/D Converter Sampling and A/D Conversion Timing (Example for Software Trigger Mode)**



11.3.3 A/D converter mode register 1 (ADM1)

This register is used to specify the A/D conversion trigger, conversion mode, and hardware trigger signal.

The ADM1 register can be set by a 1-bit or 8-bit memory manipulation instruction.

Reset signal generation clears this register to 00H.

Figure 11-6. Format of A/D Converter Mode Register 1 (ADM1)

Address: FFF32H After reset: 00H R/W

Symbol	7	6	5	4	3	2	1	0
ADM1	ADTMD1	ADTMD0	ADSCM	0	0	0	ADTRS1	ADTRS0

ADTMD1	ADTMD0	Selection of the A/D conversion trigger mode
0	×	Software trigger mode
1	0	Hardware trigger no-wait mode
1	1	Hardware trigger wait mode

ADSCM	Specification of the A/D conversion mode
0	Sequential conversion mode
1	One-shot conversion mode

ADTRS1	ADTRS0	Selection of the hardware trigger signal
0	0	End of timer channel 1 count or capture interrupt signal (INTTM01)
0	1	Setting prohibited
1	0	Real-time clock interrupt signal (INTRTC)
1	1	12-bit interval timer interrupt signal (INTIT)

Cautions 1. Rewrite the value of the ADM1 register while conversion is stopped (ADCS = 0, ADCE = 0).

<R>

2. To complete A/D conversion, specify at least the following time as the hardware trigger interval:

Hardware trigger no wait mode: $2 f_{CLK} \text{ clock} + \text{conversion start time} + \text{A/D conversion time}$

Hardware trigger wait mode: $2 f_{CLK} \text{ clock} + \text{conversion start time} + \text{A/D power supply stabilization wait time} + \text{A/D conversion time}$

<R>

3. In modes other than SNOOZE mode, input of the next INTRTC or INTIT will not be recognized as a valid hardware trigger for up to four f_{CLK} cycles after the first INTRTC or INTIT is input.

Remarks 1. ×: don't care

2. f_{CLK} : CPU/peripheral hardware clock frequency

11.3.4 A/D converter mode register 2 (ADM2)

This register is used to select the + side or - side reference voltage of the A/D converter, check the upper limit and lower limit A/D conversion result values, select the resolution, and specify whether to use the SNOOZE mode.

The ADM2 register can be set by a 1-bit or 8-bit memory manipulation instruction.

Reset signal generation clears this register to 00H.

Figure 11-7. Format of A/D Converter Mode Register 2 (ADM2) (1/2)

Address: F0010H After reset: 00H R/W

Symbol	7	6	5	4	<3>	<2>	1	<0>
ADM2	ADREFP1	ADREFP0	ADREFM	0	ADRCK	AWC	0	ADTYP

ADREFP1	ADREFP0	Selection of the + side reference voltage source of the A/D converter
0	0	Supplied from V _{DD}
0	1	Supplied from P20/AV _{REFP} /ANI0
1	0	Supplied from the internal reference voltage (1.45 V) ^{Note}
1	1	Setting prohibited
<ul style="list-style-type: none"> When ADREFP1 or ADREFP0 bit is rewritten, this must be configured in accordance with the following procedures. <ol style="list-style-type: none"> Set ADCE = 0 Change the values of ADREFP1 and ADREFP0 Stabilization wait time (A) Set ADCE = 1 Stabilization wait time (B) When ADREFP1 and ADREFP0 are set to 1 and 0, the setting is changed to A = 5 μs, B = 1 μs. When ADREFP1 and ADREFP0 are set to 0 and 0 or 0 and 1, A needs no wait and B = 1 μs. When ADREFP1 and ADREFP0 are set to 1 and 0, respectively, A/D conversion cannot be performed on the temperature sensor output and internal reference voltage. Be sure to perform A/D conversion while ADISS = 0. 		

<R>

<R>

ADREFM	Selection of the - side reference voltage source of the A/D converter
0	Supplied from V _{SS}
1	Supplied from P21/AV _{REFM} /ANI1

<R>

ADRCK	Checking the upper limit and lower limit conversion result values
0	The interrupt signal (INTAD) is output when the ADLL register ≤ the ADCR register ≤ the ADUL register (AREA 1).
1	The interrupt signal (INTAD) is output when the ADCR register < the ADLL register (AREA 2) or the ADUL register < the ADCR register (AREA 3).
Figure 11-8 shows the generation range of the interrupt signal (INTAD) for <AREA 1> to <AREA 3>.	

Note This setting can be used only in HS (high-speed main) mode.

- Cautions**
1. Rewrite the value of the ADM2 register while conversion is stopped (ADCS = 0, ADCE = 0).
 2. Do not set the ADREFP1 bit to 1 when shifting to STOP mode, or to HALT mode while the CPU is operating on the subsystem clock. Also, if the ADREFP1 bit is set to 1, the temperature sensor operating current (I_{ADREF}) indicated in 30.3.2 Supply current characteristics or 31.3.2 Supply current characteristics will be added to the current consumption when shifting to HALT mode while the CPU is operating on the main system clock.
 3. When using AV_{REFP} and AV_{REFM}, specify ANI0 and ANI1 as the analog input channels and specify input mode by using the port mode register.

Figure 11-7. Format of A/D Converter Mode Register 2 (ADM2) (2/2)

Address: F0010H After reset: 00H R/W

Symbol	7	6	5	4	<3>	<2>	1	<0>
ADM2	ADREFP1	ADREFP0	ADREFM	0	ADRCK	AWC	0	ADTYP

<R>

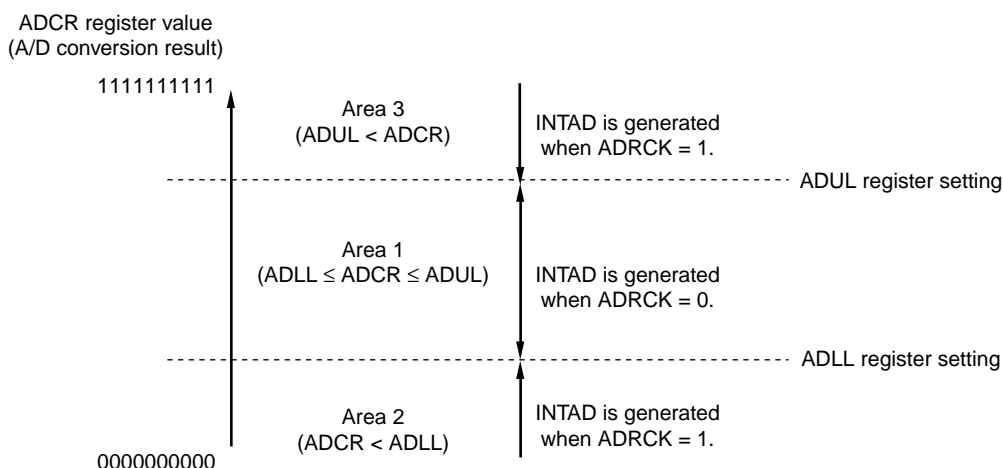
AWC	Specification of the SNOOZE mode
0	Do not use the SNOOZE mode function.
1	Use the SNOOZE mode function.
<p>When there is a hardware trigger signal in the STOP mode, the STOP mode is exited, and A/D conversion is performed without operating the CPU (the SNOOZE mode).</p> <ul style="list-style-type: none"> The SNOOZE mode function can only be specified when the high-speed on-chip oscillator clock is selected for the CPU/peripheral hardware clock (f_{CLK}). If any other clock is selected, specifying this mode is prohibited. Using the SNOOZE mode function in the software trigger mode or hardware trigger no-wait mode is prohibited. Using the SNOOZE mode function in the sequential conversion mode is prohibited. When using the SNOOZE mode function, specify a hardware trigger interval of at least “shift time to SNOOZE mode ^{Note} + conversion start time + A/D power supply stabilization wait time + A/D conversion time + 2 f_{CLK} clock” Even when using SNOOZE mode, be sure to set the AWC bit to 0 in normal operation mode and change it to 1 just before shifting to STOP mode. Also, be sure to change the AWC bit to 0 after returning from STOP mode to normal operation mode. If the AWC bit is left set to 1, A/D conversion will not start normally in spite of the subsequent SNOOZE or normal operation mode. 	

ADTYP	Selection of the A/D conversion resolution
0	10-bit resolution
1	8-bit resolution

Note Refer to “Transition time from STOP mode to SNOOZE mode” in 19.3.3 SNOOZE mode.

Caution Only rewrite the value of the ADM2 register while conversion operation is stopped (which is indicated by the ADCS bit of A/D converter mode register 0 (ADM0) being 0).

Figure 11-8. ADRCK Bit Interrupt Signal Generation Range



Remark If INTAD does not occur, the A/D conversion result is not stored in the ADCR or ADCRH register.

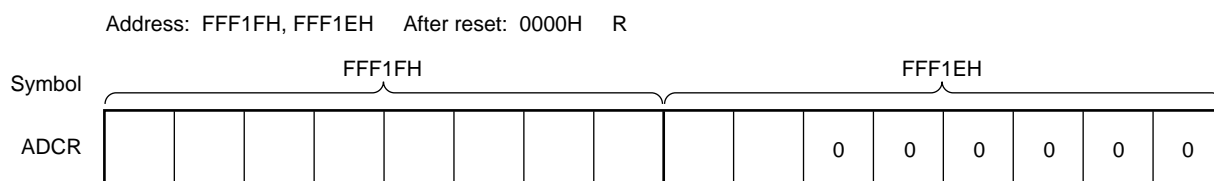
11.3.5 10-bit A/D conversion result register (ADCR)

This register is a 16-bit register that stores the A/D conversion result. The lower 6 bits are fixed to 0. Each time A/D conversion ends, the conversion result is loaded from the successive approximation register (SAR). The higher 8 bits of the conversion result are stored in FFF1FH and the lower 2 bits are stored in the higher 2 bits of FFF1EH ^{Note}.

The ADCR register can be read by a 16-bit memory manipulation instruction.
 Reset signal generation clears this register to 0000H.

Note If the A/D conversion result is outside the range specified by using the A/D conversion comparison function (the value specified by the ADRCK bit of the ADM2 register and ADUL/ADLL registers; see **Figure 11-8**), the result is not stored.

Figure 11-9. Format of 10-bit A/D Conversion Result Register (ADCR)



- Cautions**
1. When writing to the A/D converter mode register 0 (ADM0), analog input channel specification register (ADS), and A/D port configuration register (ADPC), the contents of the ADCR register may become undefined. Read the conversion result following conversion completion before writing to the ADM0, ADS, and ADPC registers. Using timing other than the above may cause an incorrect conversion result to be read.
 2. When 8-bit resolution A/D conversion is selected (when the ADTYP bit of A/D converter mode register 2 (ADM2) is 1) and the ADCR register is read, 0 is read from the lower two bits (ADCR1 and ADCR0).
 3. When the ADCR register is accessed in 16-bit units, the higher 10 bits of the conversion result are read in order starting at bit 15.

11.3.6 8-bit A/D conversion result register (ADCRH)

This register is an 8-bit register that stores the A/D conversion result. The higher 8 bits of 10-bit resolution are stored ^{Note}. The ADCRH register can be read by an 8-bit memory manipulation instruction.

Reset signal generation clears this register to 00H.

Note If the A/D conversion result is outside the range specified by using the A/D conversion comparison function (the value specified by the ADRCK bit of the ADM2 register and ADUL/ADLL registers; see **Figure 11-8**), the result is not stored.

Figure 11-10. Format of 8-bit A/D Conversion Result Register (ADCRH)

Address: FFF1FH After reset: 00H R

Symbol	7	6	5	4	3	2	1	0
ADCRH								

Caution When writing to the A/D converter mode register 0 (ADM0), analog input channel specification register (ADS), and A/D port configuration register (ADPC), the contents of the ADCRH register may become undefined. Read the conversion result following conversion completion before writing to the ADM0, ADS, and ADPC registers. Using timing other than the above may cause an incorrect conversion result to be read.

11.3.7 Analog input channel specification register (ADS)

This register specifies the input channel of the analog voltage to be A/D converted.

The ADS register can be set by a 1-bit or 8-bit memory manipulation instruction.

Reset signal generation clears this register to 00H.

Figure 11-11. Format of Analog Input Channel Specification Register (ADS)

Address: FFF31H After reset: 00H R/W

Symbol	7	6	5	4	3	2	1	0
ADS	ADISS	0	0	ADS4	ADS3	ADS2	ADS1	ADS0

ADISS	ADS4	ADS3	ADS2	ADS1	ADS0	Analog input channel	Input source
0	0	0	0	0	0	ANI0	P20/ANI0/AV _{REFP} pin
0	0	0	0	0	1	ANI1	P21/ANI1/AV _{REFM} pin
0	1	0	0	0	0	ANI16	P41/ANI16 pin
0	1	0	0	0	1	ANI17	P120/ANI17 pin
0	1	0	0	1	0	ANI18	P13/ANI18 pin
0	1	0	0	1	1	ANI19	P14/ANI19 pin
0	1	0	1	0	0	ANI20	P142/ANI20 pin
0	1	0	1	0	1	ANI21	P143/ANI21 pin
0	1	0	1	1	0	ANI22	P144/ANI22 pin
0	1	0	1	1	1	ANI23	P145/ANI23 pin
1	0	0	0	0	0	–	Temperature sensor output <small>Note</small>
1	0	0	0	0	1	–	Internal reference voltage output (1.45 V) <small>Note</small>
Other than the above						Setting prohibited	

Note Can only be used in HS (high-speed main) mode.

Cautions 1. Be sure to clear bits 5 and 6 to 0.

2. Set a channel to be set the analog input by ADPC and PMC registers in the input mode by using port mode registers 1, 2, 4, 12, and 14 (PM1, PM2, PM4, PM12, PM14).
3. Do not set the pin that is set by the A/D port configuration register (ADPC) as digital I/O by the ADS register.
4. Do not set the pin that is set by port mode control register 1, 4, 12, or 14 (PMC1, PMC4, PMC12, PMC14) as digital I/O by the ADS register.
5. Rewrite the value of the ADISS bit while conversion is stopped (ADCS = 0, ADCE = 0).
6. If using AV_{REFP} as the + side reference voltage source of the A/D converter, do not select ANI0 as an A/D conversion channel.
7. If using AV_{REFM} as the – side reference voltage source of the A/D converter, do not select ANI1 as an A/D conversion channel.
8. If ADISS is set to 1, the internal reference voltage (1.45 V) cannot be used for the + side reference voltage source. After the ADISS bit is set to 1, the initial conversion result cannot be used.

For the setting flow, see 11.7.4 Setup when temperature sensor output/internal reference voltage output is selected (example for software trigger mode and one-shot conversion mode).

<R>

Cautions 9. Do not set the ADISS bit to 1 when shifting to STOP mode, or to HALT mode while the CPU is operating on the subsystem clock. Also, if the ADREFP1 bit is set to 1, the A/D converter reference voltage current (I_{ADREF}) indicated in 30.3.2 Supply current characteristics or 31.3.2 Supply current characteristics will be added to the current consumption when shifting to HALT mode while the CPU is operating on the main system clock.

11.3.8 Conversion result comparison upper limit setting register (ADUL)

This register is used to specify the setting for checking the upper limit of the A/D conversion results.

The A/D conversion results and ADUL register value are compared, and interrupt signal (INTAD) generation is controlled in the range specified for the ADRCK bit of A/D converter mode register 2 (ADM2) (shown in **Figure 11-8**).

The ADUL register can be set by an 8-bit memory manipulation instruction.

Reset signal generation sets this register to FFH.

Caution When 10-bit resolution A/D conversion is selected, the higher eight bits of the 10-bit A/D conversion result register (ADCR) are compared with the ADUL register.

Figure 11-12. Format of Conversion Result Comparison Upper Limit Setting Register (ADUL)

Address: F0011H After reset: FFH R/W

Symbol	7	6	5	4	3	2	1	0
ADUL	ADUL7	ADUL6	ADUL5	ADUL4	ADUL3	ADUL2	ADUL1	ADUL0

11.3.9 Conversion result comparison lower limit setting register (ADLL)

This register is used to specify the setting for checking the lower limit of the A/D conversion results.

The A/D conversion results and ADLL register value are compared, and interrupt signal (INTAD) generation is controlled in the range specified for the ADRCK bit of A/D converter mode register 2 (ADM2) (shown in **Figure 11-8**).

The ADLL register can be set by an 8-bit memory manipulation instruction.

Reset signal generation clears this register to 00H.

Figure 11-13. Format of Conversion Result Comparison Lower Limit Setting Register (ADLL)

Address: F0012H After reset: 00H R/W

Symbol	7	6	5	4	3	2	1	0
ADLL	ADLL7	ADLL6	ADLL5	ADLL4	ADLL3	ADLL2	ADLL1	ADLL0

Cautions 1. When 10-bit resolution A/D conversion is selected, the higher eight bits of the 10-bit A/D conversion result register (ADCR) are compared with the ADLL register.

<R> **2.** Only write new values to the ADUL and ADLL registers while conversion is stopped (ADCS = 0, ADCE = 0).

<R> **3.** The setting of the ADUL registers must be greater than that of the ADLL register.

11.3.10 A/D test register (ADTES)

<R> This register is used to select the + side reference voltage or - side reference voltage for the converter, an analog input channel (ANlxx), the temperature sensor output voltage, or the internal reference voltage (1.45 V) as the target for A/D conversion.

When using this register to test the converter, set as follows.

- For zero-scale measurement, select the - side reference voltage as the target for conversion.
- For full-scale measurement, select the + side reference voltage as the target for conversion.

The ADTES register can be set by an 8-bit memory manipulation instruction.

Reset signal generation clears this register to 00H.

Figure 11-14. Format of A/D Test Register (ADTES)

Address: F0013H After reset: 00H R/W

Symbol	7	6	5	4	3	2	1	0
ADTES	0	0	0	0	0	0	ADTES1	ADTES0

<R>

ADTES1	ADTES0	A/D conversion target
0	0	ANlxx/temperature sensor output voltage ^{Note} /internal reference voltage (1.45 V) ^{Note} (This is specified using the analog input channel specification register (ADS).)
1	0	The - side reference voltage (selected by the ADREFM bit of the ADM2 register)
1	1	The + side reference voltage (selected by the ADREFP1 or ADREFP0 bit of the ADM2 register)
Other than the above		Setting prohibited

Note The temperature sensor output voltage and internal reference voltage (1.45 V) can be selected only in the HS (high-speed main) mode.

11.3.11 Registers controlling port function of analog input pins

<R> Set up the registers for controlling the functions of the ports shared with the analog input pins of the A/D converter (port mode registers (PMxx), port mode control registers (PMCxx), and A/D port configuration register (ADPC)). For details, see **4.3.1 Port mode registers (PMxx)**, **4.3.6 Port mode control registers (PMCxx)**, and **4.3.7 A/D port configuration register (ADPC)**.

When using the ANI0 and ANI1 pins for analog input of the A/D converter, set the port mode register (PMxx) bit corresponding to each port to 1 and select analog input through the A/D port configuration register (ADPC).

When using the ANI16 to ANI23 pins for analog input of the A/D converter, set the port mode register (PMxx) bit and port mode control register (PMCxx) bit corresponding to each port to 1.

11.4 A/D Converter Conversion Operations

The A/D converter conversion operations are described below.

- <1> The voltage input to the selected analog input channel is sampled by the sample & hold circuit.
- <2> When sampling has been done for a certain time, the sample & hold circuit is placed in the hold state and the sampled voltage is held until the A/D conversion operation has ended.
- <3> Bit 9 of the successive approximation register (SAR) is set. The series resistor string voltage tap is set to $(1/2) AV_{REF}$ by the tap selector.
- <4> The voltage difference between the series resistor string voltage tap and sampled voltage is compared by the voltage comparator. If the analog input is greater than $(1/2) AV_{REF}$, the MSB bit of the SAR register remains set to 1. If the analog input is smaller than $(1/2) AV_{REF}$, the MSB bit is reset to 0.
- <5> Next, bit 8 of the SAR register is automatically set to 1, and the operation proceeds to the next comparison. The series resistor string voltage tap is selected according to the preset value of bit 9, as described below.
 - Bit 9 = 1: $(3/4) AV_{REF}$
 - Bit 9 = 0: $(1/4) AV_{REF}$

The voltage tap and sampled voltage are compared and bit 8 of the SAR register is manipulated as follows.

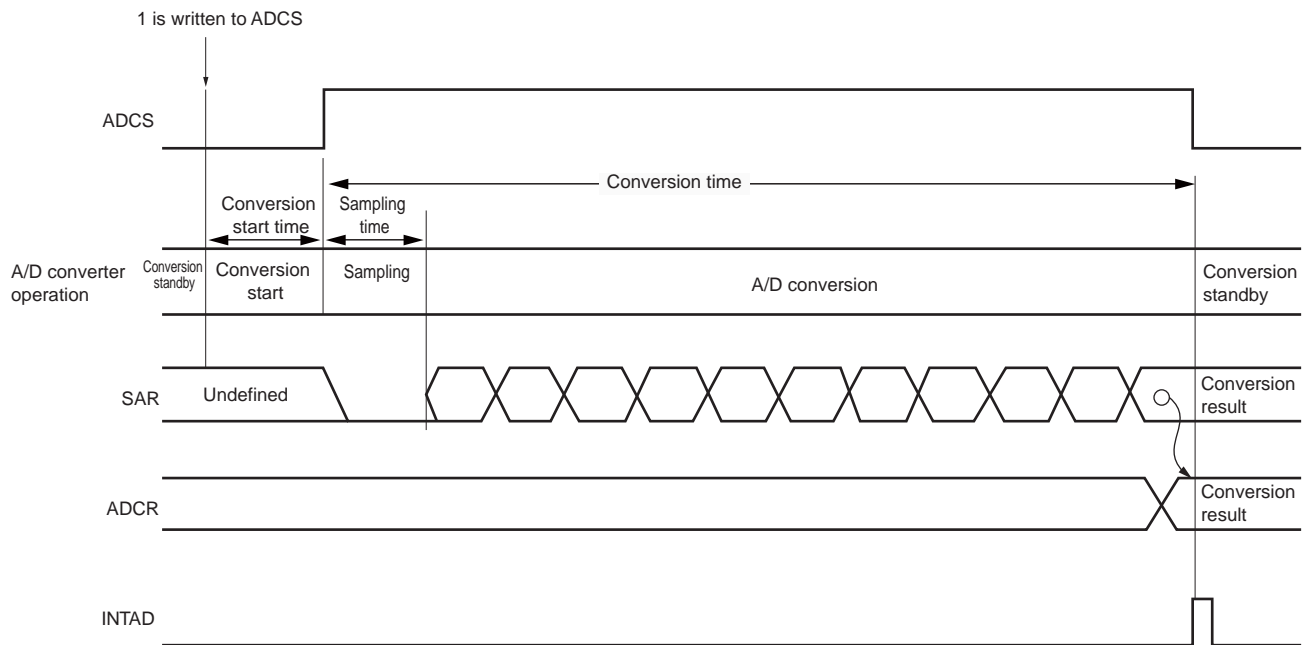
 - Sampled voltage \geq Voltage tap: Bit 8 = 1
 - Sampled voltage $<$ Voltage tap: Bit 8 = 0
- <6> Comparison is continued in this way up to bit 0 of the SAR register.
- <7> Upon completion of the comparison of 10 bits, an effective digital result value remains in the SAR register, and the result value is transferred to the A/D conversion result register (ADCR, ADCRH) and then latched ^{Note 1}. At the same time, the A/D conversion end interrupt request (INTAD) can also be generated ^{Note 1}.
- <8> Repeat steps <1> to <7>, until the ADCS bit is cleared to 0 ^{Note 2}.
To stop the A/D converter, clear the ADCS bit to 0.

- Notes 1.** If the A/D conversion result is outside the A/D conversion result range specified by the ADRCK bit and the ADUL and ADLL registers (see **Figure 11-8**), the A/D conversion result interrupt request signal is not generated and no A/D conversion results are stored in the ADCR and ADCRH registers.
- 2.** While in the sequential conversion mode, the ADCS flag is not automatically cleared to 0. This flag is not automatically cleared to 0 while in the one-shot conversion mode of the hardware trigger no-wait mode, either. Instead, 1 is retained.

- Remarks 1.** Two types of the A/D conversion result registers are available.
- ADCR register (16 bits): Store 10-bit A/D conversion value
 - ADCRH register (8 bits): Store 8-bit A/D conversion value
- 2.** AV_{REF} : The + side reference voltage of the A/D converter. This can be selected from AV_{REFP} , the internal reference voltage (1.45 V), and V_{DD} .

<R>

Figure 11-15. Conversion Operation of A/D Converter (Software Trigger Mode)



<R> In one-shot conversion mode, the ADCS bit is automatically cleared to 0 after completion of A/D conversion.

In sequential conversion mode, A/D conversion operations proceed continuously until the software clears bit 7 (ADCS) of the A/D converter mode register 0 (ADM0) to 0.

Writing to the analog input channel specification register (ADS) during A/D conversion interrupts the current conversion after which A/D conversion of the analog input specified by the ADS register proceeds. Data from the A/D conversion that was in progress are discarded.

Reset signal generation clears the A/D conversion result register (ADCR, ADCRH) to 0000H or 00H.

11.5 Input Voltage and Conversion Results

The relationship between the analog input voltage input to the analog input pins (ANI0, ANI1, ANI16 to ANI23) and the theoretical A/D conversion result (stored in the 10-bit A/D conversion result register (ADCR)) is shown by the following expression.

$$SAR = \text{INT} \left(\frac{V_{AIN}}{AV_{REF}} \times 1024 + 0.5 \right)$$

$$ADCR = SAR \times 64$$

or

$$\left(\frac{ADCR}{64} - 0.5 \right) \times \frac{AV_{REF}}{1024} \leq V_{AIN} < \left(\frac{ADCR}{64} + 0.5 \right) \times \frac{AV_{REF}}{1024}$$

where, INT(): Function which returns integer part of value in parentheses

V_{AIN} : Analog input voltage

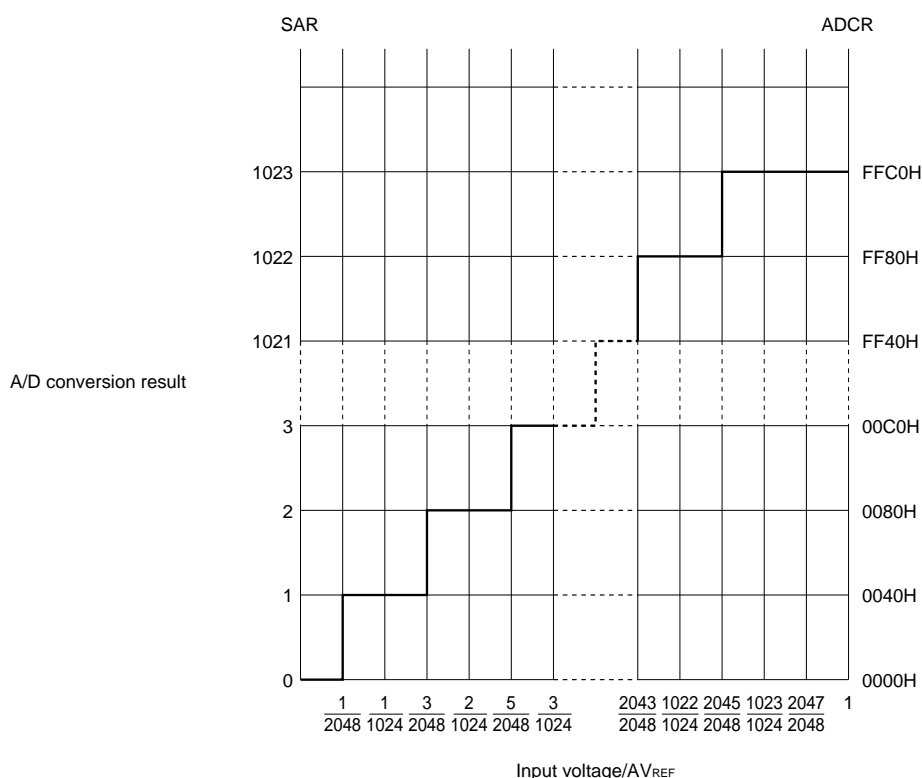
AV_{REF} : AV_{REF} pin voltage

ADCR: A/D conversion result register (ADCR) value

SAR: Successive approximation register

Figure 11-16 shows the relationship between the analog input voltage and the A/D conversion result.

Figure 11-16. Relationship Between Analog Input Voltage and A/D Conversion Result



Remark AV_{REF} : The + side reference voltage of the A/D converter. This can be selected from AV_{REFP} , the internal reference voltage (1.45 V), and V_{DD} .

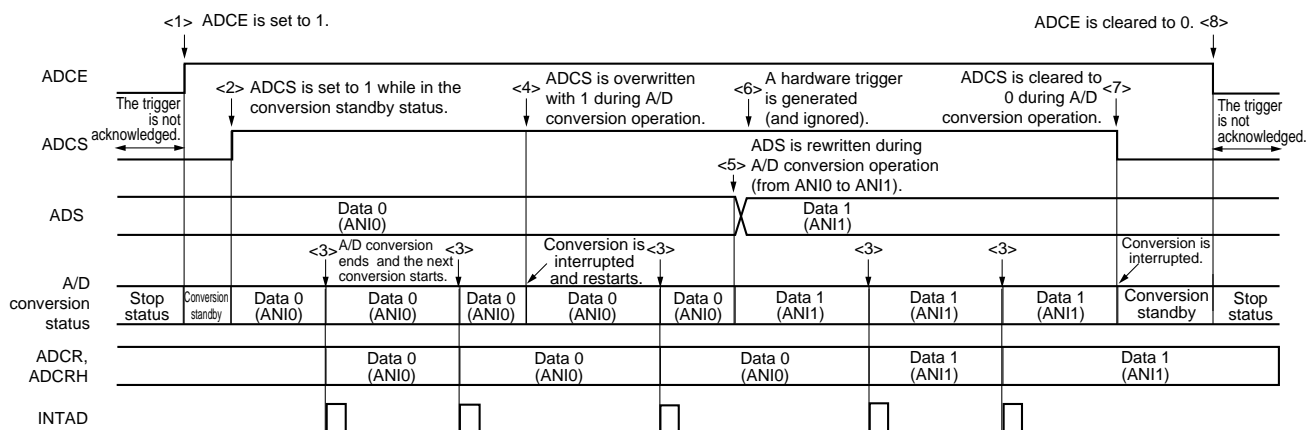
11.6 A/D Converter Operation Modes

The operation of each A/D converter mode is described below. In addition, the procedure for specifying each mode is described in 11.7 A/D Converter Setup Flowchart.

11.6.1 Software trigger mode (sequential conversion mode)

- <1> In the stop status, the ADCE bit of A/D converter mode register 0 (ADM0) is set to 1, and the system enters the A/D conversion standby status.
- <2> After the software counts up to the stabilization wait time (1.0 μ s), the ADCS bit of the ADM0 register is set to 1 to perform the A/D conversion of the analog input specified by the analog input channel specification register (ADS).
- <3> When A/D conversion ends, the conversion result is stored in the A/D conversion result register (ADCR, ADCRH), and the A/D conversion end interrupt request signal (INTAD) is generated. After A/D conversion ends, the next A/D conversion immediately starts.
- <4> When ADCS is overwritten with 1 during conversion operation, the current A/D conversion is interrupted, and conversion restarts. The partially converted data is discarded.
- <5> When the value of the ADS register is rewritten or overwritten during conversion operation, the current A/D conversion is interrupted, and A/D conversion is performed on the analog input respecified by the ADS register. The partially converted data is discarded.
- <6> Even if a hardware trigger is input during conversion operation, A/D conversion does not start.
- <7> When ADCS is cleared to 0 during conversion operation, the current A/D conversion is interrupted, and the system enters the A/D conversion standby status.
- <8> When ADCE is cleared to 0 while in the A/D conversion standby status, the A/D converter enters the stop status. When ADCE = 0, specifying 1 for ADCS is ignored and A/D conversion does not start.

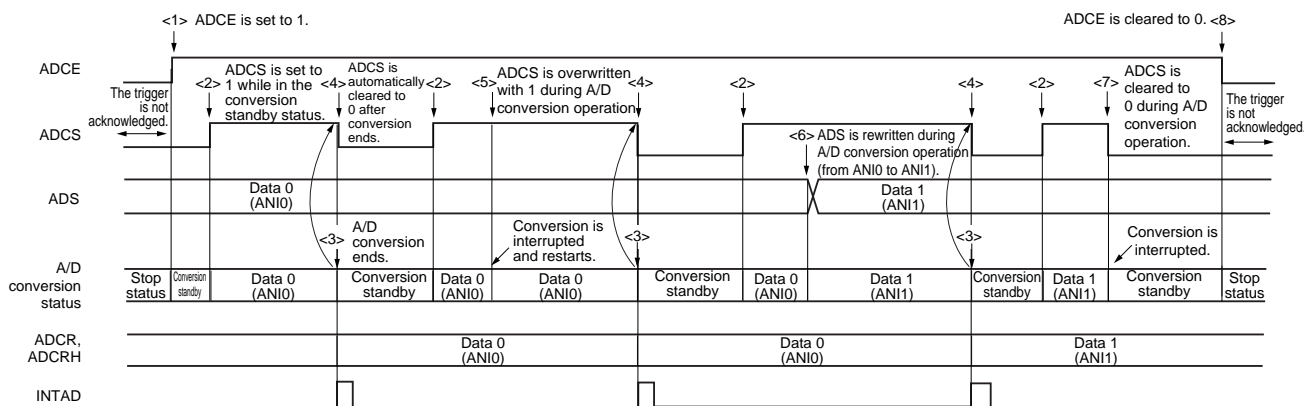
Figure 11-17. Example of Software Trigger Mode (Sequential Conversion Mode) Operation Timing



11.6.2 Software trigger mode (one-shot conversion mode)

- <1> In the stop status, the ADCE bit of A/D converter mode register 0 (ADM0) is set to 1, and the system enters the A/D conversion standby status.
- <2> After the software counts up to the stabilization wait time (1.0 μ s), the ADCS bit of the ADM0 register is set to 1 to perform the A/D conversion of the analog input specified by the analog input channel specification register (ADS).
- <3> When A/D conversion ends, the conversion result is stored in the A/D conversion result register (ADCR, ADCRH), and the A/D conversion end interrupt request signal (INTAD) is generated.
- <4> After A/D conversion ends, the ADCS bit is automatically cleared to 0, and the system enters the A/D conversion standby status.
- <5> When ADCS is overwritten with 1 during conversion operation, the current A/D conversion is interrupted, and conversion restarts. The partially converted data is discarded.
- <6> When the value of the ADS register is rewritten or overwritten during conversion operation, the current A/D conversion is interrupted, and A/D conversion is performed on the analog input respecified by the ADS register. The partially converted data is discarded.
- <7> When ADCS is cleared to 0 during conversion operation, the current A/D conversion is interrupted, and the system enters the A/D conversion standby status.
- <8> When ADCE is cleared to 0 while in the A/D conversion standby status, the A/D converter enters the stop status. When ADCE = 0, specifying 1 for ADCS is ignored and A/D conversion does not start. In addition, A/D conversion does not start even if a hardware trigger is input while in the A/D conversion standby status.

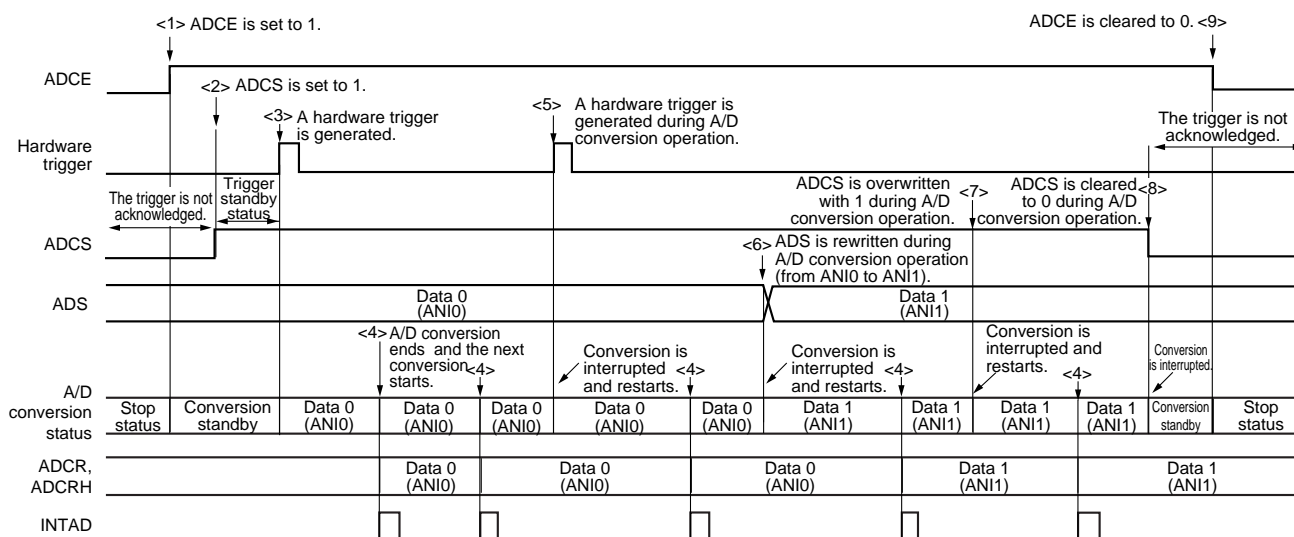
Figure 11-18. Example of Software Trigger Mode (One-Shot Conversion Mode) Operation Timing



11.6.3 Hardware trigger no-wait mode (sequential conversion mode)

- <1> In the stop status, the ADCE bit of A/D converter mode register 0 (ADM0) is set to 1, and the system enters the A/D conversion standby status.
- <2> After the software counts up to the stabilization wait time (1.0 μ s), the ADCS bit of the ADM0 register is set to 1 to place the system in the hardware trigger standby status (and conversion does not start at this stage). Note that, while in this status, A/D conversion does not start even if ADCS is set to 1.
- <3> If a hardware trigger is input while ADCS = 1, A/D conversion is performed on the analog input specified by the analog input channel specification register (ADS).
- <4> When A/D conversion ends, the conversion result is stored in the A/D conversion result register (ADCR, ADCRH), and the A/D conversion end interrupt request signal (INTAD) is generated. After A/D conversion ends, the next A/D conversion immediately starts.
- <5> If a hardware trigger is input during conversion operation, the current A/D conversion is interrupted, and conversion restarts. The partially converted data is discarded.
- <6> When the value of the ADS register is rewritten or overwritten during conversion operation, the current A/D conversion is interrupted, and A/D conversion is performed on the analog input respecified by the ADS register. The partially converted data is discarded.
- <7> When ADCS is overwritten with 1 during conversion operation, the current A/D conversion is interrupted, and conversion restarts. The partially converted data is discarded.
- <8> When ADCS is cleared to 0 during conversion operation, the current A/D conversion is interrupted, and the system enters the A/D conversion standby status. However, the A/D converter does not stop in this status.
- <9> When ADCE is cleared to 0 while in the A/D conversion standby status, the A/D converter enters the stop status. When ADCS = 0, inputting a hardware trigger is ignored and A/D conversion does not start.

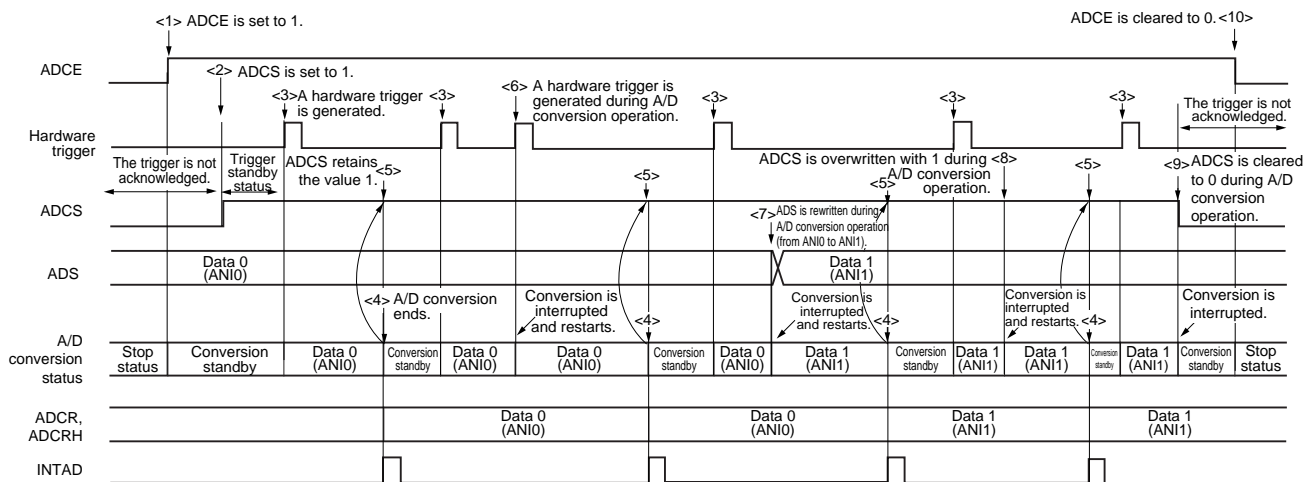
Figure 11-19. Example of Hardware Trigger No-Wait Mode (Sequential Conversion Mode) Operation Timing



11.6.4 Hardware trigger no-wait mode (one-shot conversion mode)

- <1> In the stop status, the ADCE bit of A/D converter mode register 0 (ADM0) is set to 1, and the system enters the A/D conversion standby status.
- <2> After the software counts up to the stabilization wait time (1.0 μ s), the ADCS bit of the ADM0 register is set to 1 to place the system in the hardware trigger standby status (and conversion does not start at this stage). Note that, while in this status, A/D conversion does not start even if ADCS is set to 1.
- <3> If a hardware trigger is input while ADCS = 1, A/D conversion is performed on the analog input specified by the analog input channel specification register (ADS).
- <4> When A/D conversion ends, the conversion result is stored in the A/D conversion result register (ADCR, ADCRH), and the A/D conversion end interrupt request signal (INTAD) is generated.
- <5> After A/D conversion ends, the ADCS bit remains set to 1, and the system enters the A/D conversion standby status.
- <6> If a hardware trigger is input during conversion operation, the current A/D conversion is interrupted, and conversion restarts. The partially converted data is discarded.
- <7> When the value of the ADS register is rewritten or overwritten during conversion operation, the current A/D conversion is interrupted, and A/D conversion is performed on the analog input respecified by the ADS register. The partially converted data is discarded.
- <8> When ADCS is overwritten with 1 during conversion operation, the current A/D conversion is interrupted, and conversion restarts. The partially converted data is discarded.
- <9> When ADCS is cleared to 0 during conversion operation, the current A/D conversion is interrupted, and the system enters the A/D conversion standby status. However, the A/D converter does not stop in this status.
- <10> When ADCE is cleared to 0 while in the A/D conversion standby status, the A/D converter enters the stop status. When ADCS = 0, inputting a hardware trigger is ignored and A/D conversion does not start.

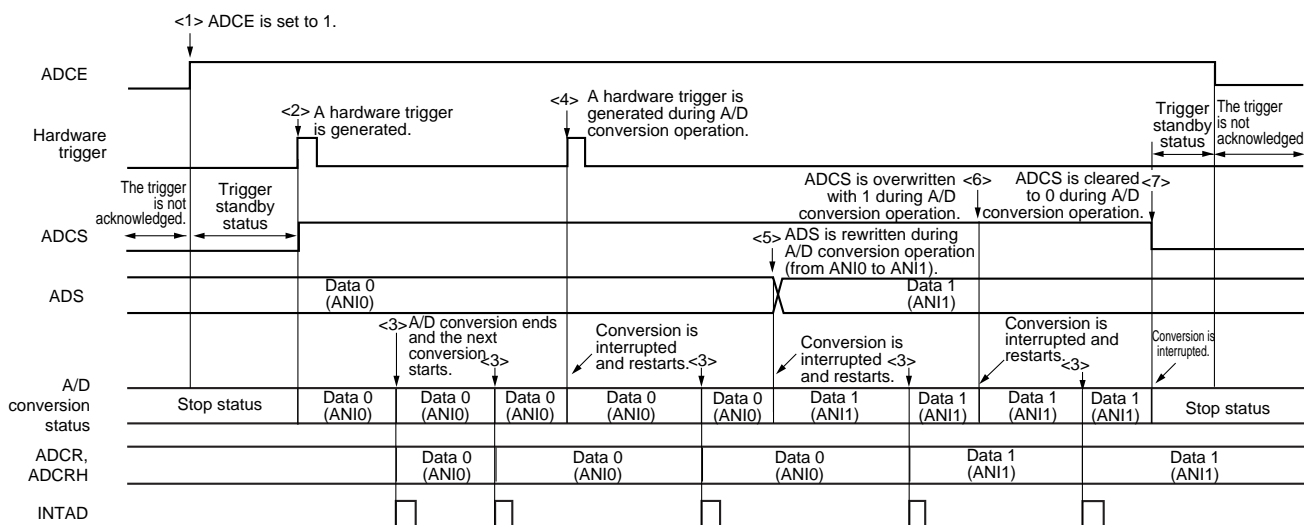
<R> Figure 11-20. Example of Hardware Trigger No-Wait Mode (One-Shot Conversion Mode) Operation Timing



11.6.5 Hardware trigger wait mode (sequential conversion mode)

- <1> In the stop status, the ADCE bit of A/D converter mode register 0 (ADM0) is set to 1, and the system enters the hardware trigger standby status.
- <2> If a hardware trigger is input while in the hardware trigger standby status, A/D conversion is performed on the analog input specified by the analog input channel specification register (ADS). The ADCS bit of the ADM0 register is automatically set to 1 according to the hardware trigger input.
- <3> When A/D conversion ends, the conversion result is stored in the A/D conversion result register (ADCR, ADCRH), and the A/D conversion end interrupt request signal (INTAD) is generated. After A/D conversion ends, the next A/D conversion immediately starts. (At this time, no hardware trigger is necessary.)
- <4> If a hardware trigger is input during conversion operation, the current A/D conversion is interrupted, and conversion restarts. The partially converted data is discarded.
- <5> When the value of the ADS register is rewritten or overwritten during conversion operation, the current A/D conversion is interrupted, and A/D conversion is performed on the analog input respecified by the ADS register. The partially converted data is discarded.
- <6> When ADCS is overwritten with 1 during conversion operation, the current A/D conversion is interrupted, and conversion restarts. The partially converted data is discarded.
- <7> When ADCS is cleared to 0 during conversion operation, the current A/D conversion is interrupted, the system enters the hardware trigger standby status, and the A/D converter enters the stop status. When ADCE = 0, inputting a hardware trigger is ignored and A/D conversion does not start.

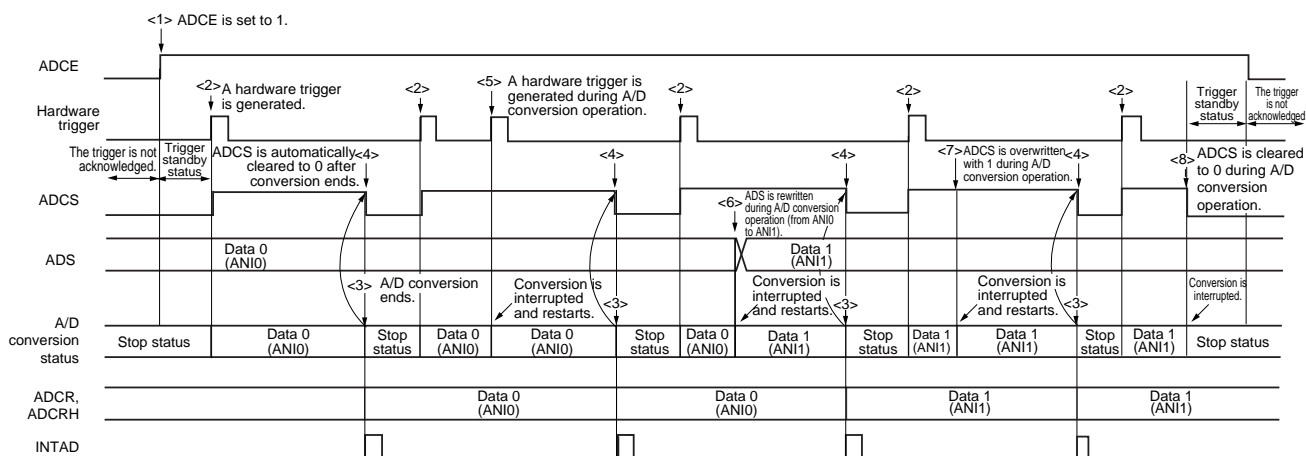
Figure 11-21. Example of Hardware Trigger Wait Mode (Sequential Conversion Mode) Operation Timing



11.6.6 Hardware trigger wait mode (one-shot conversion mode)

- <1> In the stop status, the ADCE bit of A/D converter mode register 0 (ADM0) is set to 1, and the system enters the hardware trigger standby status.
- <2> If a hardware trigger is input while in the hardware trigger standby status, A/D conversion is performed on the analog input specified by the analog input channel specification register (ADS). The ADCS bit of the ADM0 register is automatically set to 1 according to the hardware trigger input.
- <3> When A/D conversion ends, the conversion result is stored in the A/D conversion result register (ADCR, ADCRH), and the A/D conversion end interrupt request signal (INTAD) is generated.
- <4> After A/D conversion ends, the ADCS bit is automatically cleared to 0, and the A/D converter enters the stop status.
- <5> If a hardware trigger is input during conversion operation, the current A/D conversion is interrupted, and conversion restarts. The partially converted data is discarded.
- <6> When the value of the ADS register is rewritten or overwritten during conversion operation, the current A/D conversion is interrupted, and A/D conversion is performed on the analog input respecified by the ADS register. The partially converted data is discarded.
- <7> When ADCS is overwritten with 1 during conversion operation, the current A/D conversion is interrupted, and conversion restarts. The partially converted data is initialized.
- <8> When ADCS is cleared to 0 during conversion operation, the current A/D conversion is interrupted, the system enters the hardware trigger standby status, and the A/D converter enters the stop status. When ADCE = 0, inputting a hardware trigger is ignored and A/D conversion does not start.

<R> Figure 11-22. Example of Hardware Trigger Wait Mode (One-Shot Conversion Mode) Operation Timing



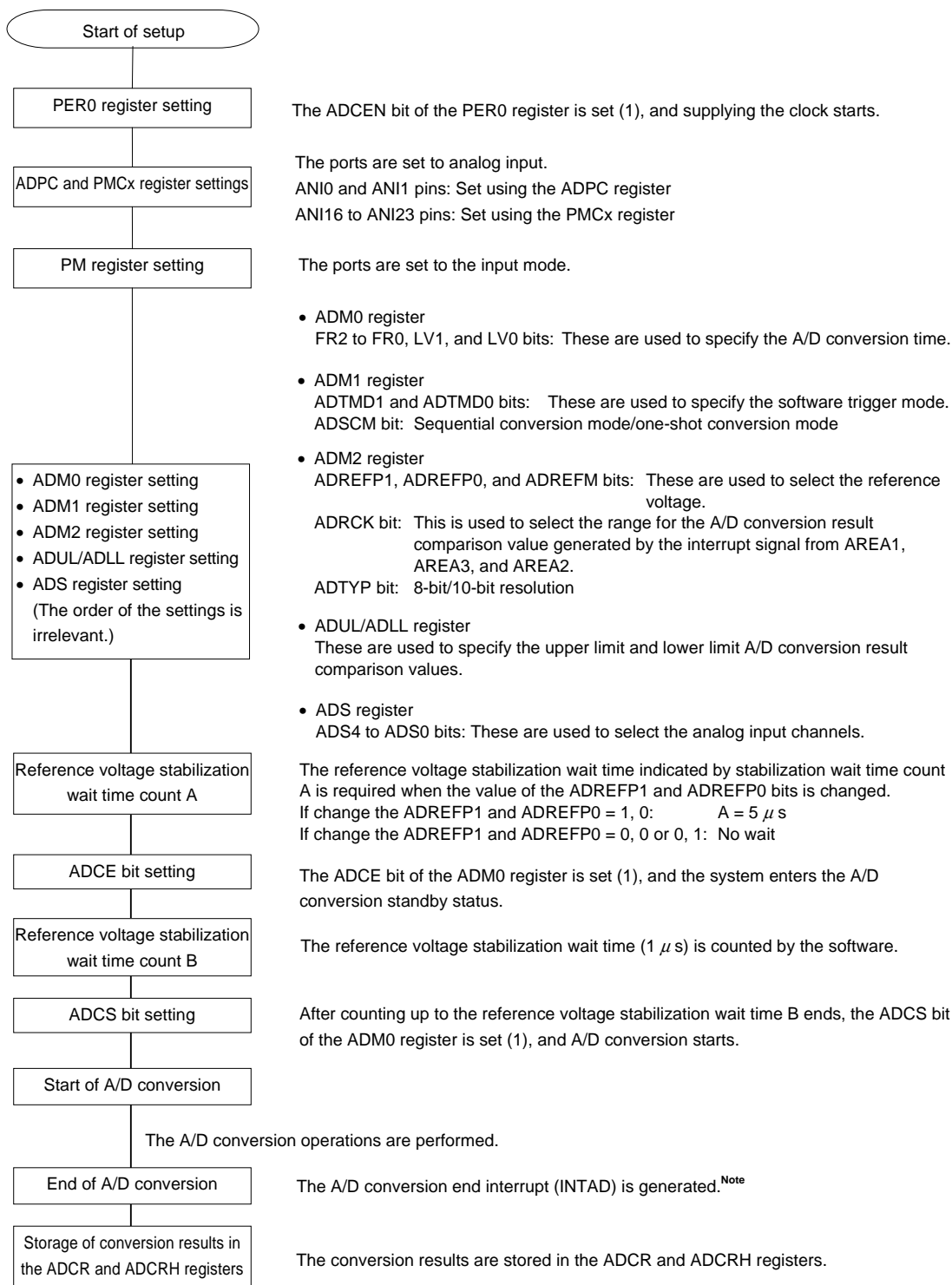
11.7 A/D Converter Setup Flowchart

The A/D converter setup flowchart in each operation mode is described below.

11.7.1 Setting up software trigger mode

<R>

Figure 11-23. Setting up Software Trigger Mode

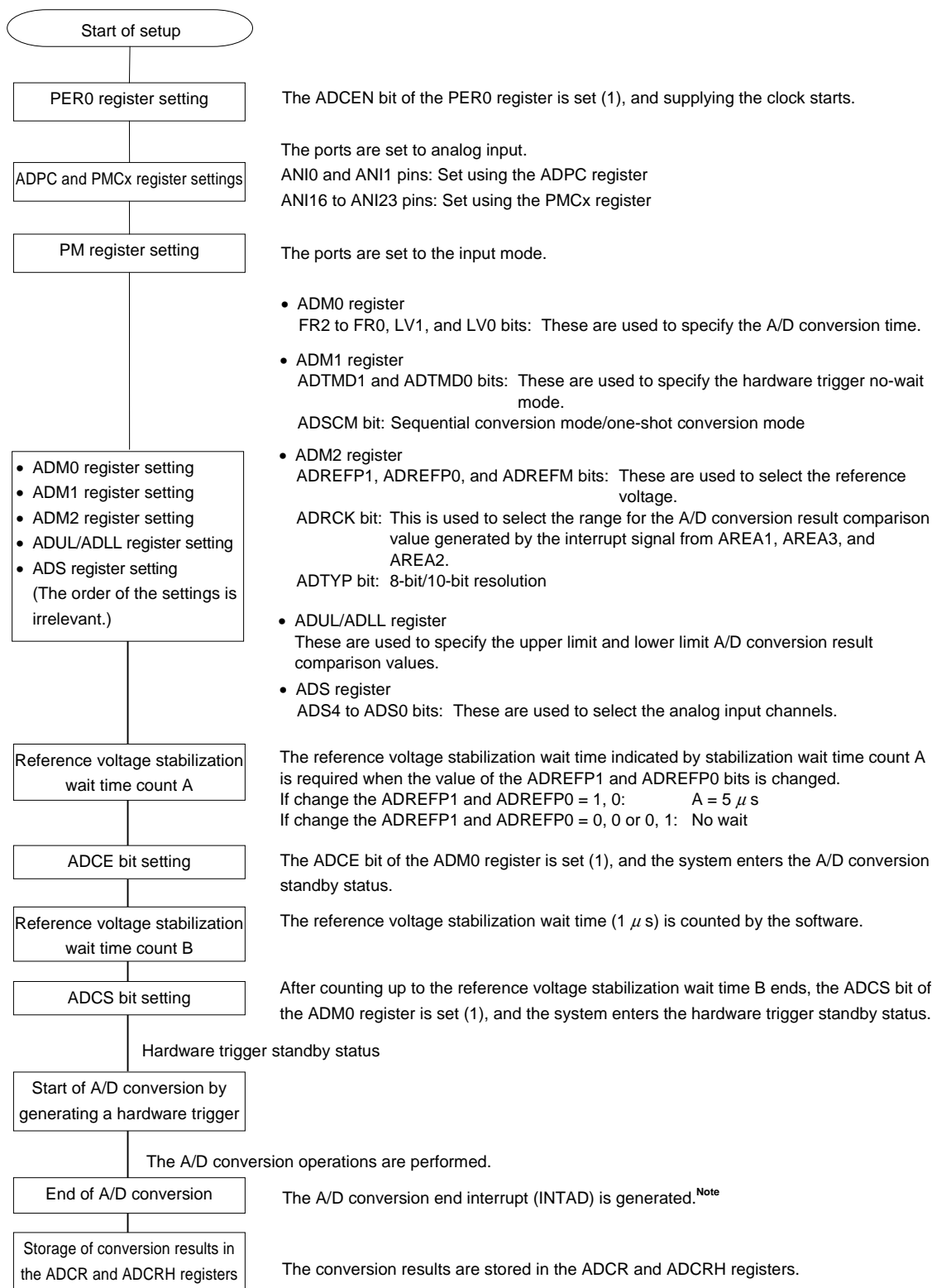


Note Depending on the settings of the ADRCK bit and ADUL/ADLL register, there is a possibility of no interrupt signal being generated. In this case, the results are not stored in the ADCR, ADCRH registers.

11.7.2 Setting up hardware trigger no-wait mode

<R>

Figure 11-24. Setting up Hardware Trigger No-Wait Mode

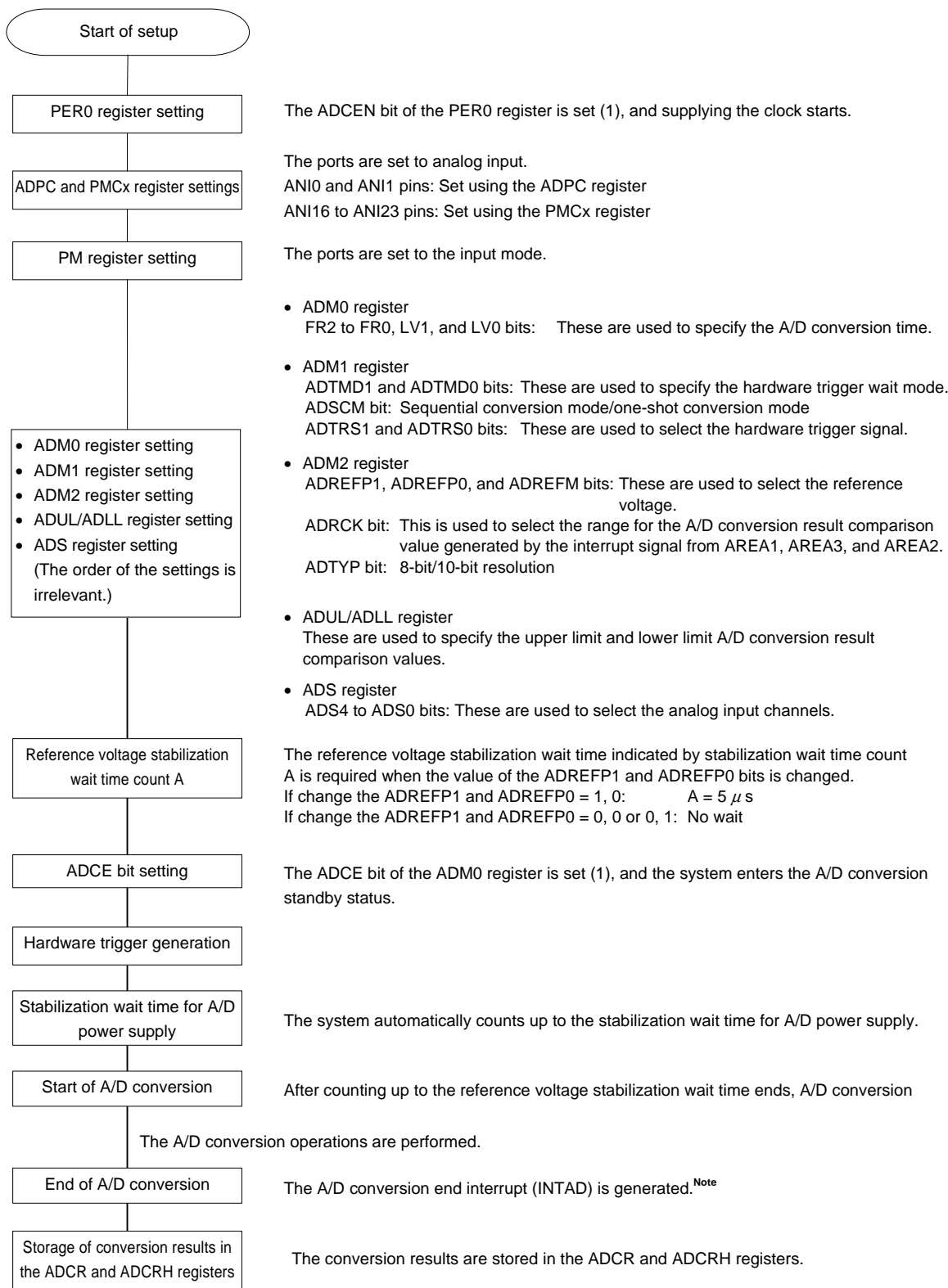


Note Depending on the settings of the ADRCK bit and ADUL/ADLL register, there is a possibility of no interrupt signal being generated. In this case, the results are not stored in the ADCR, ADCRH registers.

11.7.3 Setting up hardware trigger wait mode

<R>

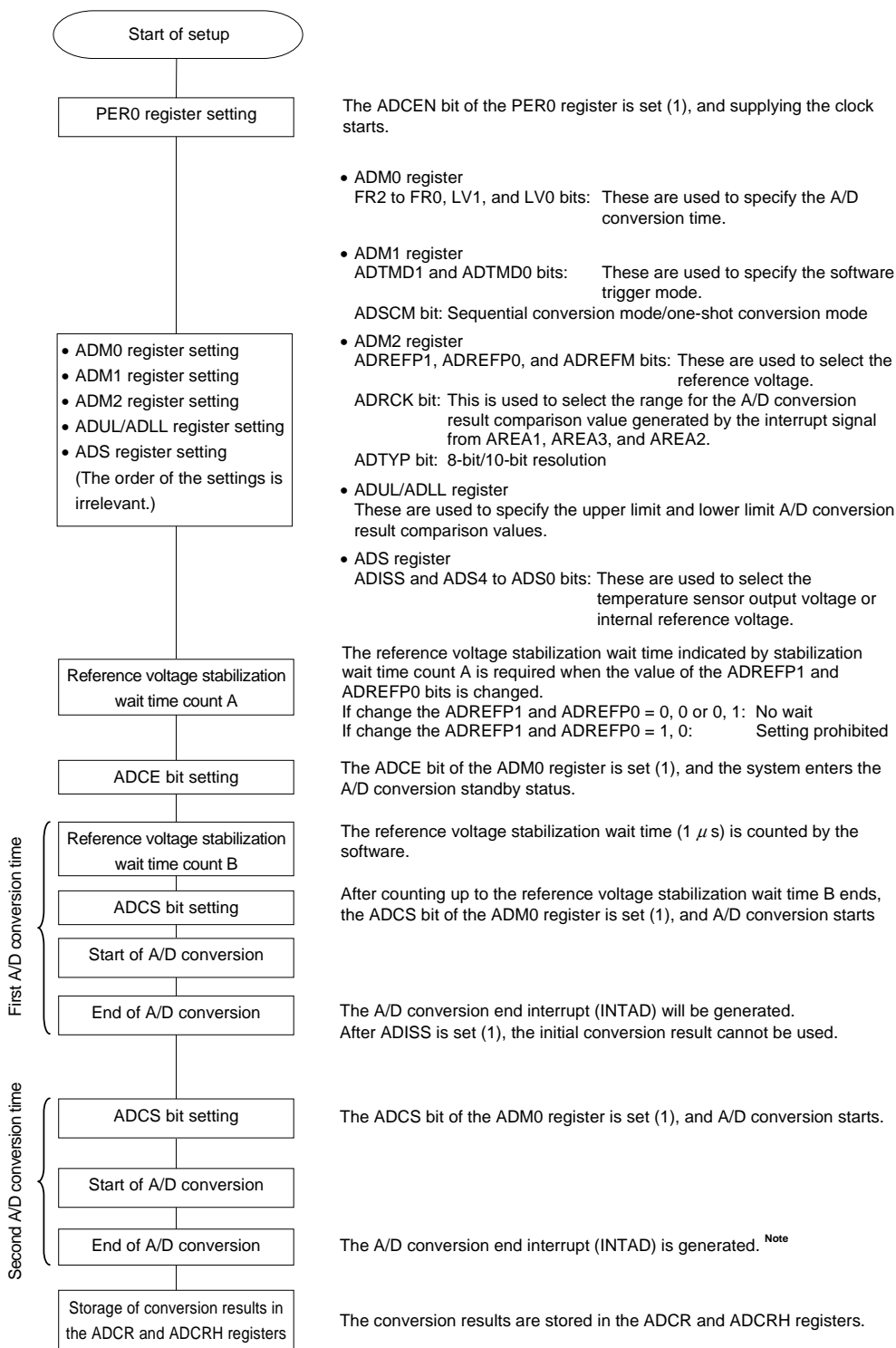
Figure 11-25. Setting up Hardware Trigger Wait Mode



Note Depending on the settings of the ADRCK bit and ADUL/ADLL register, there is a possibility of no interrupt signal being generated. In this case, the results are not stored in the ADCR, ADCRH registers.

11.7.4 Setup when temperature sensor output/internal reference voltage output is selected (example for software trigger mode and one-shot conversion mode)

<R> Figure 11-26. Setup when temperature sensor output/internal reference voltage output is selected



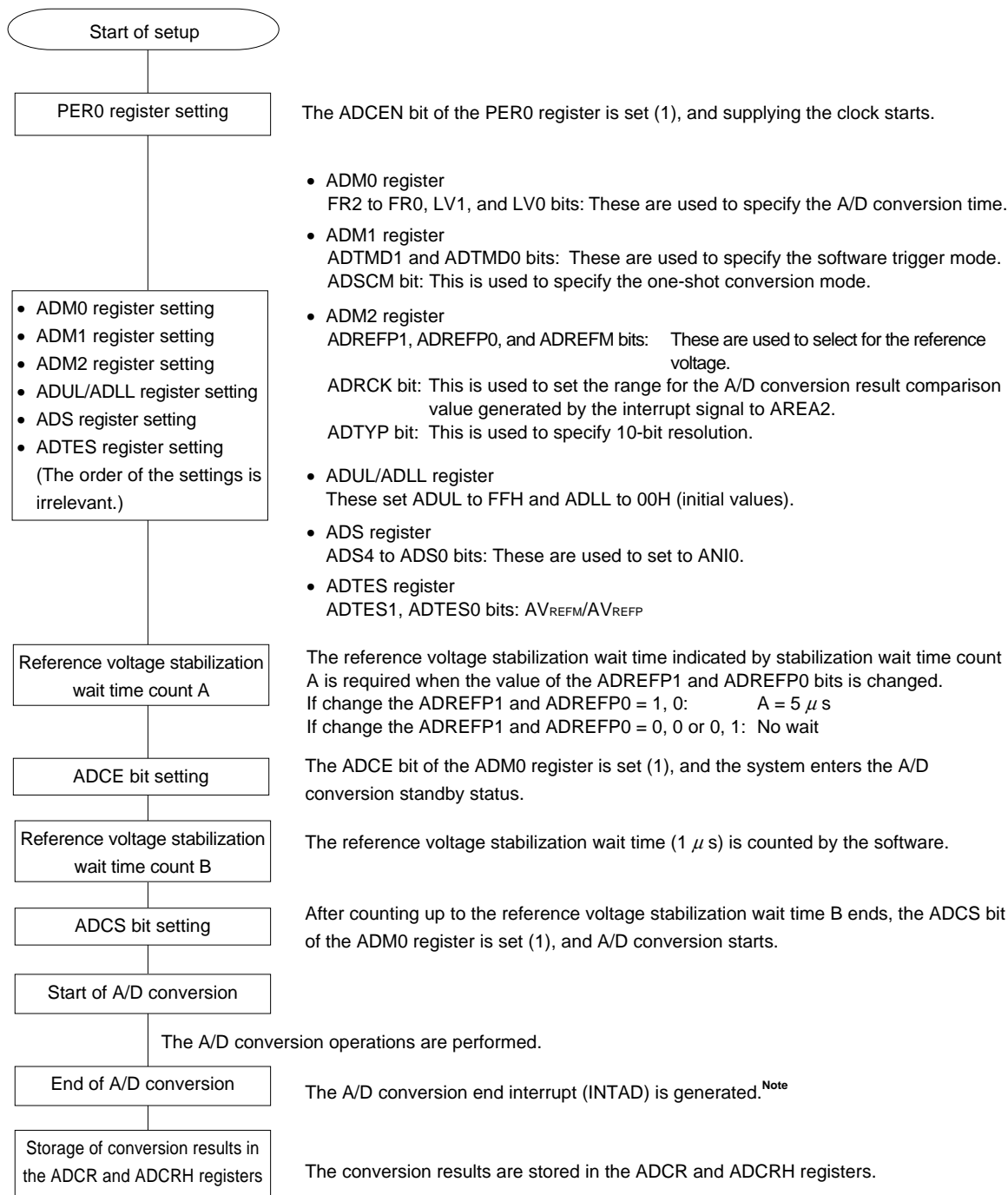
Note Depending on the settings of the ADRCK bit and ADUL/ADLL register, there is a possibility of no interrupt signal being generated. In this case, the results are not stored in the ADCR, ADCRH registers.

Caution This setting can be used only in HS (high-speed main) mode.

11.7.5 Setting up test mode

<R>

Figure 11-27. Setting up Test Trigger Mode



Note Depending on the settings of the ADRCK bit and ADUL/ADLL register, there is a possibility of no interrupt signal being generated. In this case, the results are not stored in the ADCR, ADCRH registers.

Caution For the procedure for testing the A/D converter, see 22.3.8 A/D test function.

11.8 SNOOZE Mode Function

In the SNOOZE mode, A/D conversion is triggered by inputting a hardware trigger in the STOP mode. Normally, A/D conversion is stopped while in the STOP mode, but, by using the SNOOZE mode, A/D conversion can be performed without operating the CPU by inputting a hardware trigger. This is effective for reducing the operation current.

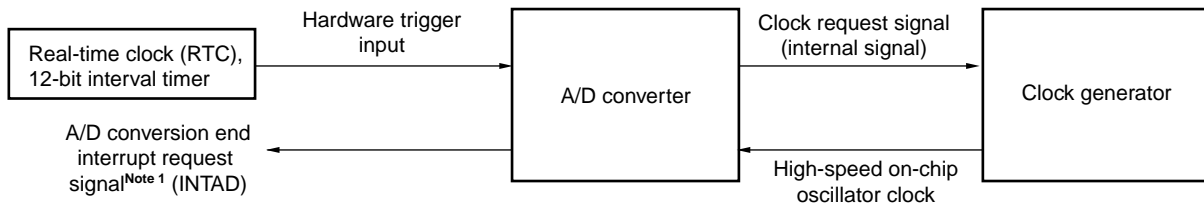
If the A/D conversion result range is specified using the ADUL and ADLL registers, A/D conversion results can be judged at a certain interval of time in SNOOZE mode. Using this function enables power supply voltage monitoring and input key judgment based on A/D inputs.

In the SNOOZE mode, only the following two conversion modes can be used:

- Hardware trigger wait mode (one-shot conversion mode)

Caution That the SNOOZE mode can only be specified when the high-speed on-chip oscillator clock is selected for f_{CLK} .

Figure 11-28. Block Diagram When Using SNOOZE Mode Function



When using the SNOOZE mode function, the initial setting of each register is specified before switching to the STOP mode. (For details about these settings, see **11.7.3 Setting up hardware trigger wait mode**^{Note 2}.) Just before move to STOP mode, bit 2 (AWC) of A/D converter mode register 2 (ADM2) is set to 1. After the initial settings are specified, bit 0 (ADCE) of A/D converter mode register 0 (ADM0) is set to 1.

If a hardware trigger is input after switching to the STOP mode, the high-speed on-chip oscillator clock is supplied to the A/D converter. After supplying this clock, the system automatically counts up to the A/D power supply stabilization wait time, and then A/D conversion starts.

The SNOOZE mode operation after A/D conversion ends differs depending on whether an interrupt signal is generated^{Note 1}.

Notes 1. Depending on the setting of the A/D conversion result comparison function (ADRCK bit, ADUL/ADLL register), there is a possibility of no interrupt signal being generated.

2. Be sure to set the ADM1 register to E2H or E3H.

Remark The hardware trigger is INTRTC and INTIT.

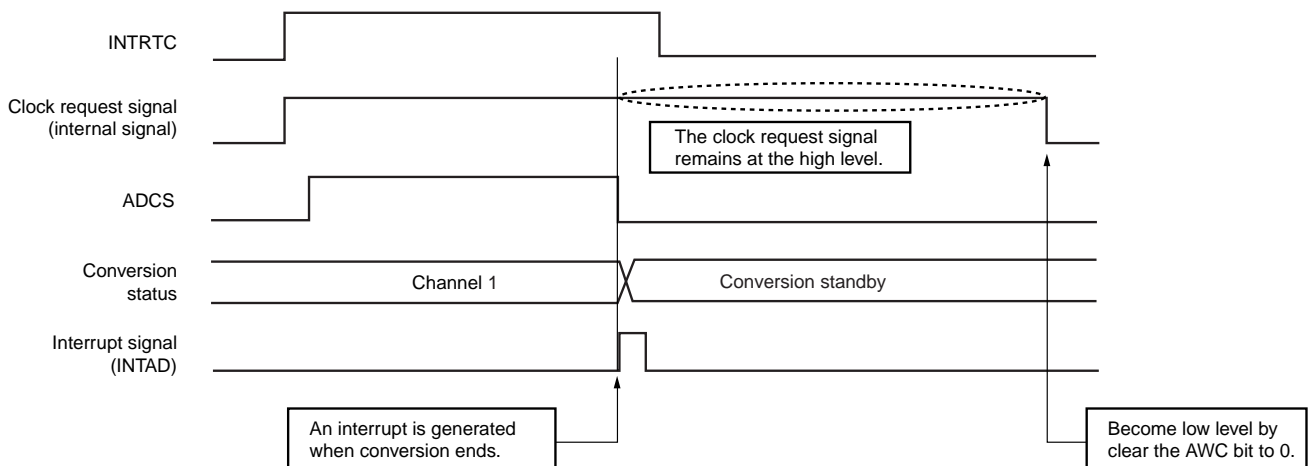
Specify the hardware trigger by using the A/D Converter Mode Register 1 (ADM1).

(1) If an interrupt is generated after A/D conversion ends

If the A/D conversion result value is inside the range of values specified by the A/D conversion result comparison function (which is set up by using the ADRCK bit and ADUL/ADLL register), the A/D conversion end interrupt request signal (INTAD) is generated.

When A/D conversion ends and an A/D conversion end interrupt request signal (INTAD) is generated, the A/D converter returns to normal operation mode from SNOOZE mode. At this time, be sure to clear bit 2 (AWC = 0: SNOOZE mode release) of the A/D converter mode register 2 (ADM2). If the AWC bit is left set to 1, A/D conversion will not start normally in the subsequent SNOOZE or normal operation mode.

Figure 11-29. Operation Example When Interrupt Is Generated After A/D Conversion Ends

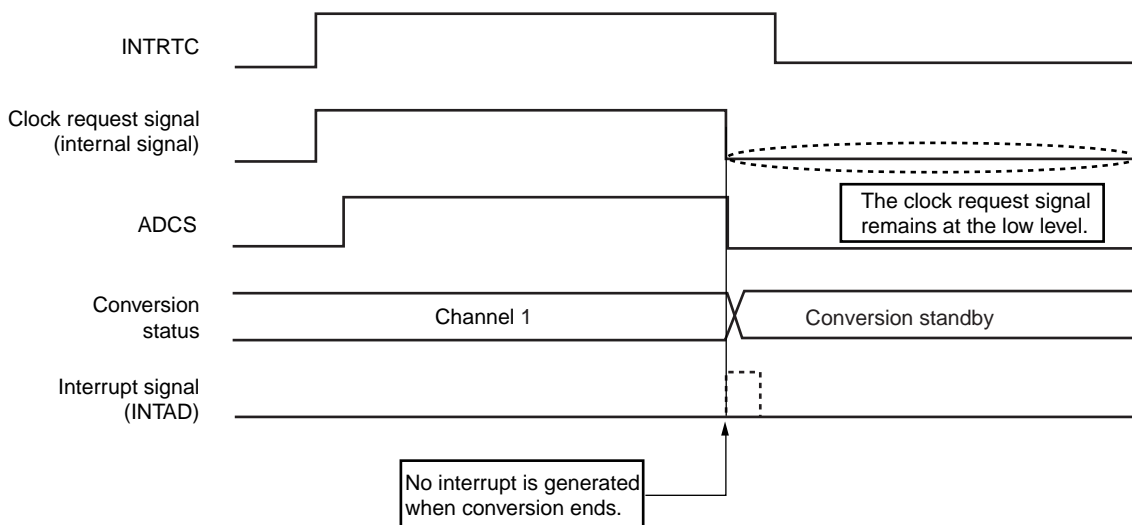


(2) If no interrupt is generated after A/D conversion ends

If the A/D conversion result value is outside the range of values specified by the A/D conversion result comparison function (which is set up by using the ADRCK bit and ADUL/ADLL register), the A/D conversion end interrupt request signal (INTAD) is not generated.

If the A/D conversion end interrupt request signal (INTAD) is not generated after A/D conversion ends, the clock request signal (an internal signal) is automatically set to the low level, and supplying the high-speed on-chip oscillator clock stops. If a hardware trigger is input later, A/D conversion work is again performed in the SNOOZE mode.

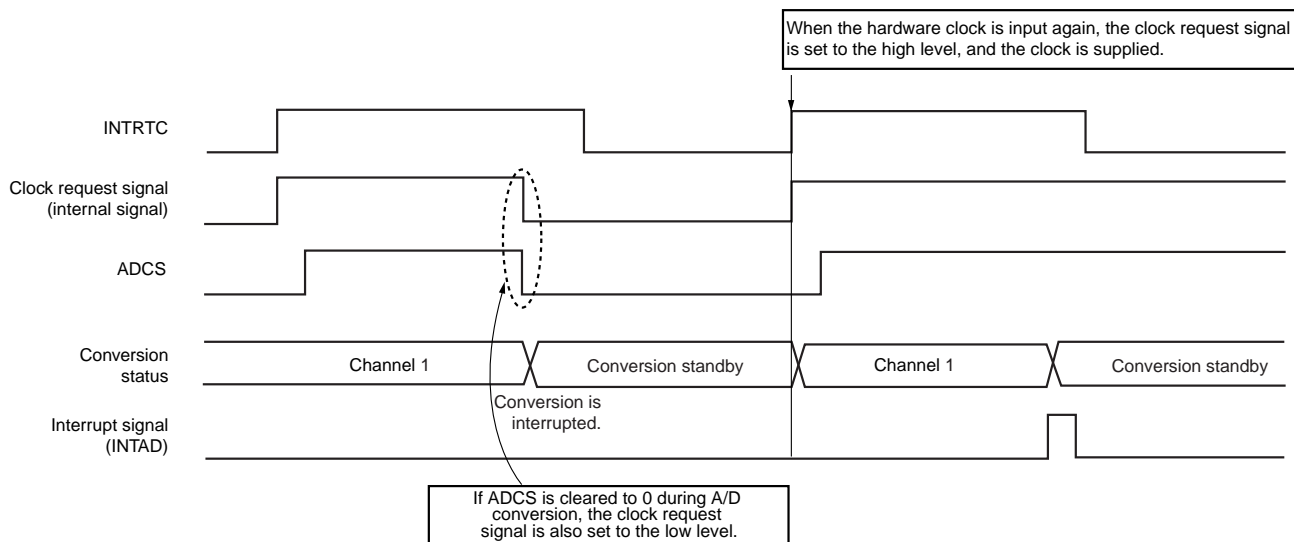
Figure 11-30. Operation Example When No Interrupt Is Generated After A/D Conversion Ends



(3) Operation when A/D conversion is interrupted or resumed

If A/D conversion is interrupted (by clearing bit 7 (ADCS) of A/D converter mode register 0 (ADM0) to 0), the clock request signal (an internal signal) is set to the low level, and supplying the high-speed on-chip oscillator clock stops. When another hardware trigger is input, the clock request signal is set to the high level, supplying the high-speed on-chip oscillator clock resumes, and A/D conversion starts in the SNOOZE mode.

Figure 11-31. Example of Operation When A/D Conversion Is Interrupted or Resumed



11.9 How to Read A/D Converter Characteristics Table

Here, special terms unique to the A/D converter are explained.

(1) Resolution

This is the minimum analog input voltage that can be identified. That is, the percentage of the analog input voltage per bit of digital output is called 1LSB (Least Significant Bit). The percentage of 1LSB with respect to the full scale is expressed by %FSR (Full Scale Range).

1LSB is as follows when the resolution is 10 bits.

$$1\text{LSB} = 1/2^{10} = 1/1024$$

$$= 0.098\%\text{FSR}$$

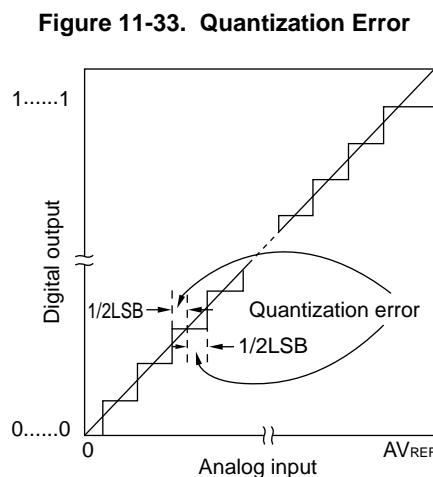
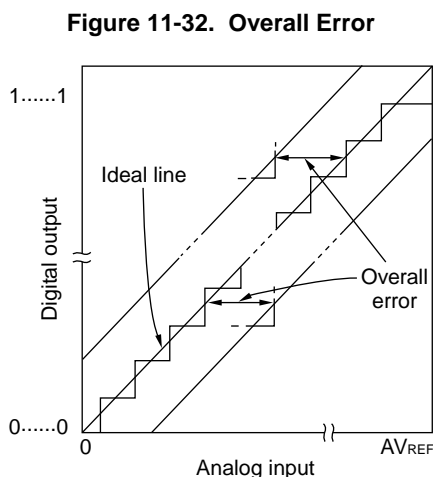
Accuracy has no relation to resolution, but is determined by overall error.

(2) Overall error

This shows the maximum error value between the actual measured value and the theoretical value. Zero-scale error, full-scale error, integral linearity error, and differential linearity errors that are combinations of these express the overall error. Note that the quantization error is not included in the overall error in the characteristics table.

(3) Quantization error

When analog values are converted to digital values, a $\pm 1/2\text{LSB}$ error naturally occurs. In an A/D converter, an analog input voltage in a range of $\pm 1/2\text{LSB}$ is converted to the same digital code, so a quantization error cannot be avoided. Note that the quantization error is not included in the overall error, zero-scale error, full-scale error, integral linearity error, and differential linearity error in the characteristics table.



(4) Zero-scale error

This shows the difference between the actual measurement value of the analog input voltage and the theoretical value ($1/2\text{LSB}$) when the digital output changes from $0\dots\dots 000$ to $0\dots\dots 001$. If the actual measurement value is greater than the theoretical value, it shows the difference between the actual measurement value of the analog input voltage and the theoretical value ($3/2\text{LSB}$) when the digital output changes from $0\dots\dots 001$ to $0\dots\dots 010$.

(5) Full-scale error

This shows the difference between the actual measurement value of the analog input voltage and the theoretical value (Full-scale - 3/2LSB) when the digital output changes from 1.....110 to 1.....111.

(6) Integral linearity error

This shows the degree to which the conversion characteristics deviate from the ideal linear relationship. It expresses the maximum value of the difference between the actual measurement value and the ideal straight line when the zero-scale error and full-scale error are 0.

(7) Differential linearity error

While the ideal width of code output is 1LSB, this indicates the difference between the actual measurement value and the ideal value.

Figure 11-34. Zero-Scale Error

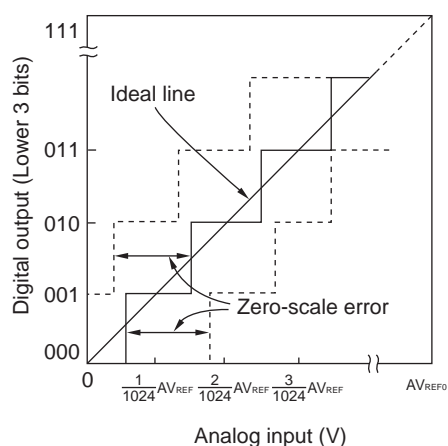


Figure 11-35. Full-Scale Error

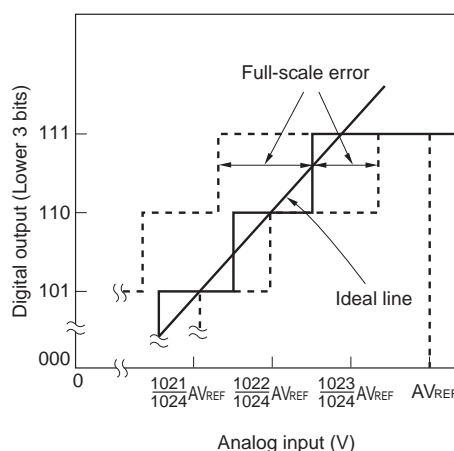


Figure 11-36. Integral Linearity Error

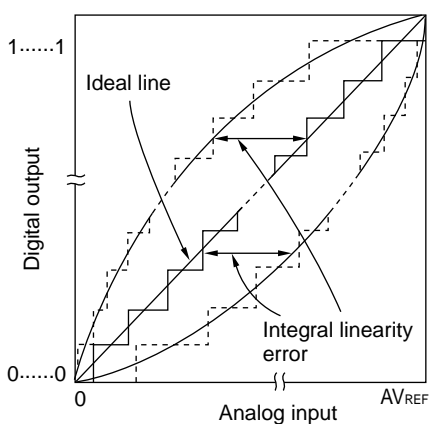
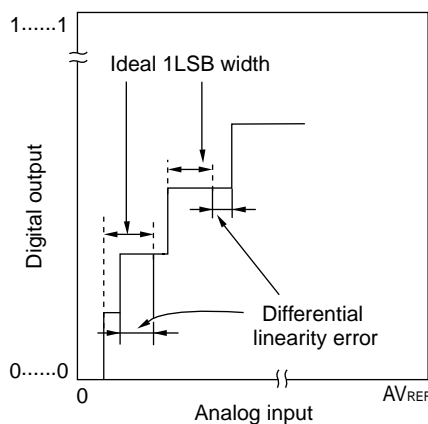


Figure 11-37. Differential Linearity Error

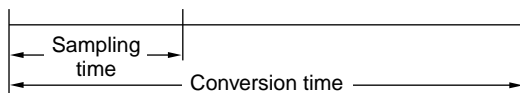


(8) Conversion time

This expresses the time from the start of sampling to when the digital output is obtained. The sampling time is included in the conversion time in the characteristics table.

(9) Sampling time

This is the time the analog switch is turned on for the analog voltage to be sampled by the sample & hold circuit.



11.10 Cautions for A/D Converter

(1) Operating current in STOP mode

Shift to STOP mode after stopping the A/D converter (by setting bit 7 (ADCS) of A/D converter mode register 0 (ADM0) to 0). The operating current can be reduced by setting bit 0 (ADCE) of the ADM0 register to 0 at the same time.

To restart from the standby status, clear bit 0 (ADIF) of interrupt request flag register 1H (IF1H) to 0 and start operation.

(2) Input range of ANI0, ANI1 and ANI16 to ANI23 pins

Observe the rated range of the ANI0, ANI1 and ANI16 to ANI23 pins input voltage. If a voltage of V_{DD} and AV_{REFP} or higher and V_{SS} and AV_{REFM} or lower (even in the range of absolute maximum ratings) is input to an analog input channel, the converted value of that channel becomes undefined. In addition, the converted values of the other channels may also be affected.

When internal reference voltage (1.45 V) is selected as the reference voltage source for the + side of the A/D converter, do not input a voltage equal to or higher than the internal reference voltage (1.45 V) to a pin selected by the ADS register. However, it is no problem that a voltage equal to or higher than the internal reference voltage (1.45 V) is input to a pin not selected by the ADS register.

Caution Internal reference voltage (1.45 V) can be used only in HS (high-speed main) mode.

(3) Conflicting operations

<1> Conflict between the A/D conversion result register (ADCR, ADCRH) write and the ADCR or ADCRH register read by instruction upon the end of conversion

The ADCR or ADCRH register read has priority. After the read operation, the new conversion result is written to the ADCR or ADCRH registers.

<2> Conflict between the ADCR or ADCRH register write and the A/D converter mode register 0 (ADM0) write, the analog input channel specification register (ADS), or A/D port configuration register (ADPC) write upon the end of conversion

The ADM0, ADS, or ADPC registers write has priority. The ADCR or ADCRH register write is not performed, nor is the conversion end interrupt signal (INTAD) generated.

(4) Noise countermeasures

To maintain the 10-bit resolution, attention must be paid to noise input to the AV_{REFP} , V_{DD} , ANI0, ANI1 and ANI16 to ANI23 pins.

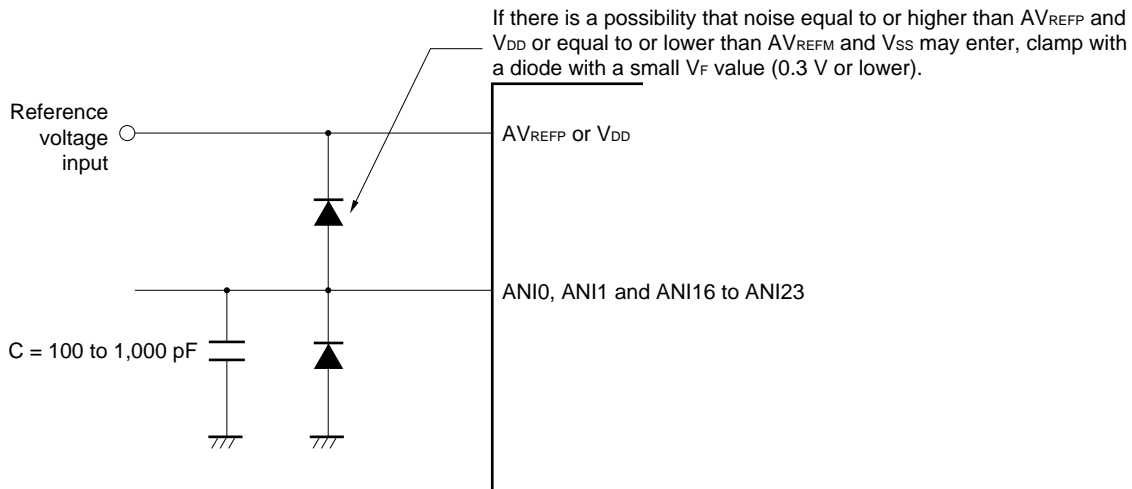
<1> Connect a capacitor with a low equivalent resistance and a good frequency response to the power supply.

<2> The higher the output impedance of the analog input source, the greater the influence. To reduce the noise, connecting an external capacitor as shown in Figure 11-38 is recommended.

<3> Do not switch these pins with other pins during conversion.

<4> The accuracy is improved if the HALT mode is set immediately after the start of conversion.

Figure 11-38. Analog Input Pin Connection



(5) Analog input (ANIn) pins

- <1> The analog input pins (ANI0 and ANI1) are also used as input port pins (P20 and P21). When A/D conversion is performed with any of the ANI0 and ANI1 pins selected, do not change to output value P20 and P21 while conversion is in progress; otherwise the conversion resolution may be degraded.
- <R> <2> If a pin adjacent to a pin that is being A/D converted is used as a digital I/O port pin, the A/D conversion result might differ from the expected value due to a coupling noise. Be sure to avoid the input or output of digital signals and signals with similarly sharp transitions during conversion.

(6) Input impedance of analog input (ANIn) pins

This A/D converter charges a sampling capacitor for sampling during sampling time.

Therefore, only a leakage current flows when sampling is not in progress, and a current that charges the capacitor flows during sampling. Consequently, the input impedance fluctuates depending on whether sampling is in progress, and on the other states.

- <R> To make sure that sampling is effective, however, we recommend using the converter with analog input sources that have output impedances no greater than 1 k Ω . If a source has a higher output impedance, lengthen the sampling time or connect a larger capacitor (with a value of about 0.1 μ F) to the pin from among ANI0, ANI1, and ANI16 to ANI23 to which the source is connected (see **Figure 11-38**). The sampling capacitor may be being charged while the setting of the ADCS bit is 0 and immediately after sampling is restarted and so is not defined at these times. Accordingly, the state of conversion is undefined after charging starts in the next round of conversion after the value of the ADCS bit has been 1 or when conversion is repeated. Thus, to secure full charging regardless of the size of fluctuations in the analog signal, ensure that the output impedances of the sources of analog inputs are low or secure sufficient time for the completion of conversion.

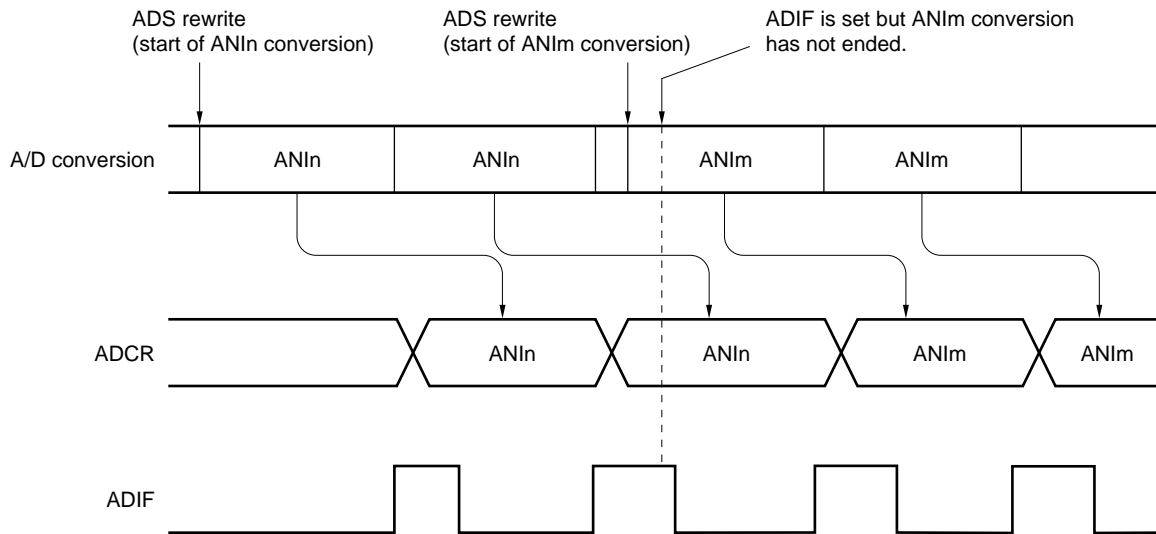
(7) Interrupt request flag (ADIF)

The interrupt request flag (ADIF) is not cleared even if the analog input channel specification register (ADS) is changed.

Therefore, if an analog input pin is changed during A/D conversion, the A/D conversion result and ADIF flag for the pre-change analog input may be set just before the ADS register rewrite. Caution is therefore required since, at this time, when ADIF flag is read immediately after the ADS register rewrite, ADIF flag is set despite the fact A/D conversion for the post-change analog input has not ended.

When A/D conversion is stopped and then resumed, clear ADIF flag before the A/D conversion operation is resumed.

Figure 11-39. Timing of A/D Conversion End Interrupt Request Generation



(8) Conversion results just after A/D conversion start

In software trigger mode and hardware trigger no-wait mode, if the ADCE bit is set to 1 and then the ADCS bit is set to 1 before 1.0 μ s elapses, the A/D conversion value immediately after A/D conversion starts might not satisfy the ratings. In this case, take measures such as polling the A/D conversion end interrupt request signal (INTAD) and discarding the first conversion result.

(9) A/D conversion result register (ADCR, ADCRH) read operation

When a write operation is performed to A/D converter mode register 0 (ADM0), analog input channel specification register (ADS), A/D port configuration register (ADPC), and port mode control register (PMC), the contents of the ADCR and ADCRH registers may become undefined. Read the conversion result following conversion completion before writing to the ADM0, ADS, ADPC, or PMC register. Using a timing other than the above may cause an incorrect conversion result to be read.

(10) Internal equivalent circuit

The equivalent circuit of the analog input block is shown below.

Figure 11-40. Internal Equivalent Circuit of ANIn Pin

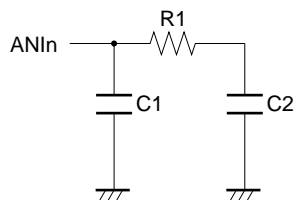


Table 11-6. Resistance and Capacitance Values of Equivalent Circuit (Reference Values)

AV_{REFP}, V_{DD}	ANIn Pins	R1 [k Ω]	C1 [pF]	C2 [pF]
$3.6\text{ V} \leq V_{DD} \leq 5.5\text{ V}$	ANI0 and ANI1	14	8	2.5
	ANI16 to ANI23	18	8	7.0
$2.7\text{ V} \leq V_{DD} \leq 3.6\text{ V}$	ANI0 and ANI1	39	8	2.5
	ANI16 to ANI23	53	8	7.0
$1.8\text{ V} \leq V_{DD} \leq 2.7\text{ V}$	ANI0 and ANI1	231	8	2.5
	ANI16 to ANI23	321	8	7.0
$1.6\text{ V} \leq V_{DD} < 2.7\text{ V}$	ANI0 and ANI1	632	8	2.5
	ANI16 to ANI23	902	8	7.0

Caution The A/D converter's internal voltage cannot be used in SNOOZE mode.

Remark The resistance and capacitance values shown in Table 11-6 are not guaranteed values.

(11) Starting the A/D converter

Start the A/D converter after the AV_{REFP} and V_{DD} voltages stabilize.

CHAPTER 12 SERIAL ARRAY UNIT

Serial array unit has two serial channels. Each channel can achieve 3-wire serial (CSI), and UART. Function assignment of each channel supported by the RL78/L12 is as shown below.

Channel	Used as CSI	Used as UART
0	CSI00	UART0 (supporting LIN-bus)
1	CSI01	

12.1 Functions of Serial Array Unit

Each serial interface supported by the RL78/L12 has the following features.

12.1.1 3-wire serial I/O (CSI00, CSI01)

Data is transmitted or received in synchronization with the serial clock ($\overline{\text{SCK}}$) output from the master channel. 3-wire serial communication is clocked communication performed by using three communication lines: one for the serial clock ($\overline{\text{SCK}}$), one for transmitting serial data (SO), one for receiving serial data (SI).

For details about the settings, see **12.5 Operation of 3-Wire Serial I/O (CSI00, CSI01) Communication**.

<R> [Data transmission/reception]

- Data length of 7 or 8 bits
- Phase control of transmit/receive data
- MSB/LSB first selectable

[Clock control]

- Master/slave selection
- Phase control of I/O clock
- Setting of transfer period by prescaler and internal counter of each channel
- Maximum transfer rate

During master communication (CSI00): Max. $f_{\text{MCK}}/2$ **Notes 1, 2**

During master communication (other than CSI00): Max. $f_{\text{MCK}}/4$ **Note 2**

During slave communication: Max. $f_{\text{MCK}}/6$ **Note 2**

[Interrupt function]

- Transfer end interrupt/buffer empty interrupt

[Error detection flag]

- Overrun error

In addition, CSI00 supports the SNOOZE mode. When $\overline{\text{SCK}}$ input is detected while in the STOP mode, the SNOOZE mode makes data reception that does not require the CPU possible.

Notes 1. In master communication (CSI00), maximum transfer rate become $f_{\text{MCK}}/2$ when the following conditions.

- $2.7 \text{ V} \leq \text{EV}_{\text{DD}} = \text{V}_{\text{DD}} \leq 5.5 \text{ V}$
- $f_{\text{MCK}} \leq 12 \text{ MHz}$

Other cases, maximum transfer rate become $f_{\text{MCK}}/4$.

2. Use the clocks within a range satisfying the $\overline{\text{SCK}}$ cycle time (t_{CKCY}) characteristics (see **CHAPTER 30 ELECTRICAL SPECIFICATIONS (A, G: $T_{\text{A}} = -40$ to $+85^{\circ}\text{C}$)** and **CHAPTER 31 ELECTRICAL SPECIFICATIONS (G: $T_{\text{A}} = -40$ to $+105^{\circ}\text{C}$)**).

12.1.2 UART (UART0)

This is a start-stop synchronization function using two lines: serial data transmission (TxD) and serial data reception (RxD) lines. By using these two communication lines, each data frame, which consist of a start bit, data, parity bit, and stop bit, is transferred asynchronously (using the internal baud rate) between the microcontroller and the other communication party. Full-duplex UART communication can be performed by using a channel dedicated to transmission (even-numbered channel) and a channel dedicated to reception (odd-numbered channel). The LIN-bus can be implemented by using timer array unit with an external interrupt (INTP0).

For details about the settings, see **12.6 Operation of UART (UART0) Communication**.

[Data transmission/reception]

- Data length of 7, 8, or 9 bits
- Select the MSB/LSB first
- Level setting of transmit/receive data and select of reverse
- Parity bit appending and parity check functions
- Stop bit appending

[Interrupt function]

- Transfer end interrupt/buffer empty interrupt
- Error interrupt in case of framing error, parity error, or overrun error

[Error detection flag]

- Framing error, parity error, or overrun error

In addition, UART0 supports the SNOOZE mode. When RxD input is detected while in the STOP mode, the SNOOZE mode makes data reception that does not require the CPU possible.

The LIN-bus is accepted in UART0 (0 and 1 channels).

[LIN-bus functions]

- Wakeup signal detection
- Break field (BF) detection
- Sync field measurement, baud rate calculation



Using the external interrupt (INTP0) and timer array unit

12.2 Configuration of Serial Array Unit

The serial array unit includes the following hardware.

Table 12-1. Configuration of Serial Array Unit

Item	Configuration
Shift register	9 bits
Buffer register	Lower 9 bits of serial data register mn (SDRmn) ^{Note}
Serial clock I/O	SCK00, SCK01 pins (for 3-wire serial I/O)
Serial data input	SI00, SI01 pins (for 3-wire serial I/O), RxD0 pin (for UART supporting LIN-bus)
Serial data output	SO00, SO01 pins (for 3-wire serial I/O), TxD0 pin (for UART supporting LIN-bus), output controller
Control registers	<p><Registers of unit setting block></p> <ul style="list-style-type: none"> • Peripheral enable register 0 (PER0) • Serial clock select register m (SPSm) • Serial channel enable status register m (SEm) • Serial channel start register m (SSm) • Serial channel stop register m (STm) • Serial output enable register m (SOEm) • Serial output register m (SOM) • Serial output level register m (SOLm) • Serial standby control register m (SSCm) • Input switch control register (ISC) • Noise filter enable register 0 (NFEN0) <p><Registers of each channel></p> <ul style="list-style-type: none"> • Serial data register mn (SDRmn) • Serial mode register mn (SMRmn) • Serial communication operation setting register mn (SCRmn) • Serial status register mn (SSRmn) • Serial flag clear trigger register mn (SIRmn) <ul style="list-style-type: none"> • Port input mode register 1 (PIM1) • Port output mode register 1 (POM1) • LCD port function registers 0, 3 (PFSEG0, PFSEG3) • Port mode register 1 (PM1) • Port register 1 (P1)

Note The lower 8 bits of serial data register mn (SDRmn) can be read or written as the following SFR, depending on the communication mode.

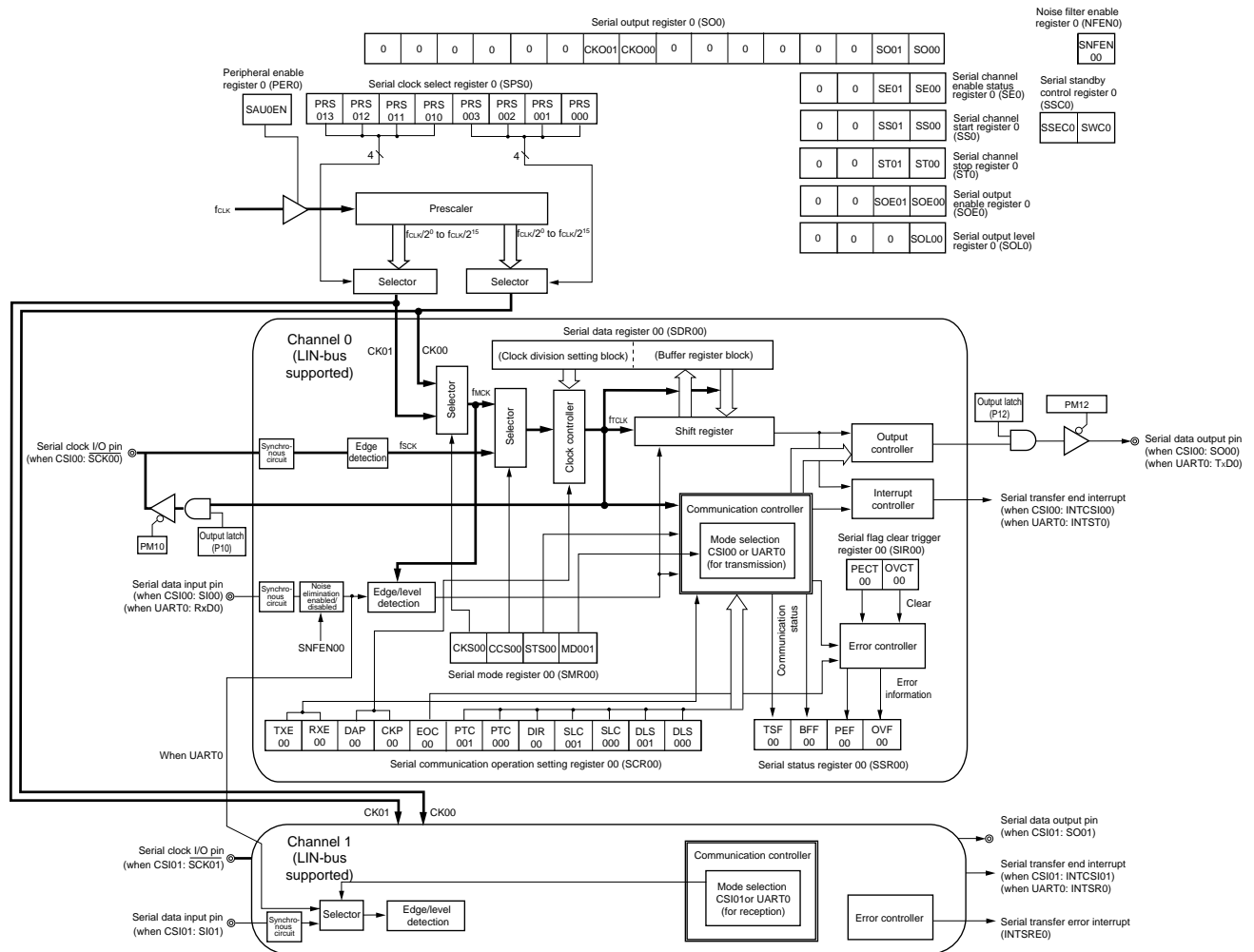
- CSIp communication ... SIOp (CSIp data register)
- UARTq reception ... RXDq (UARTq receive data register)
- UARTq transmission ... TXDq (UARTq transmit data register)

Remark m: Unit number (m = 0), n: Channel number (n = 0, 1), p: CSI number (p = 00, 01),
q: UART number (q = 0)

Figure 12-1 shows the block diagram of the serial array unit.

<R>

Figure 12-1. Block Diagram of Serial Array Unit



12.2.1 Shift register

This is a 9-bit register that converts parallel data into serial data or vice versa.

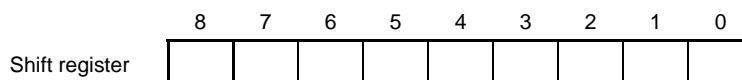
In case of the UART communication of nine bits of data, nine bits (bits 0 to 8) are used.

During reception, it converts data input to the serial pin into parallel data.

When data is transmitted, the value set to this register is output as serial data from the serial output pin.

The shift register cannot be directly manipulated by program.

To read or write the shift register, use the lower 9 bits of serial data register mn (SDRmn).



12.2.2 Lower 9 bits of the serial data register mn (SDRmn)

The SDRmn register is the transmit/receive data register (16 bits) of channel n. Bits 8 to 0 (lower 9 bits) function as a transmit/receive buffer register, and bits 15 to 9 are used as a register that sets the division ratio of the operation clock (f_{MCK}).

When data is received, parallel data converted by the shift register is stored in the lower 9 bits. When data is to be transmitted, set transmit to be transferred to the shift register to the lower 9 bits.

The data stored in the lower 9 bits of this register is as follows, depending on the setting of bits 0 and 1 (DLSmn0, DLSmn1) of serial communication operation setting register mn (SCRmn), regardless of the output sequence of the data.

- 7-bit data length (stored in bits 0 to 6 of SDRmn register)
- 8-bit data length (stored in bits 0 to 7 of SDRmn register)
- 9-bit data length (stored in bits 0 to 8 of SDRmn register) (settable in UART0 mode only)

The SDRmn register can be read or written in 16-bit units.

The lower 8 bits of the SDRmn register can be read or written ^{Note} as the following SFR, depending on the communication mode.

- CSIp communication ... SIOp (CSIp data register)
- UARTq reception ... RXDq (UARTq receive data register)
- UARTq transmission ... TXDq (UARTq transmit data register)

Reset signal generation clears the SDRmn register to 0000H.

Note Writing in 8-bit units is prohibited when the operation is stopped (SEmn = 0).

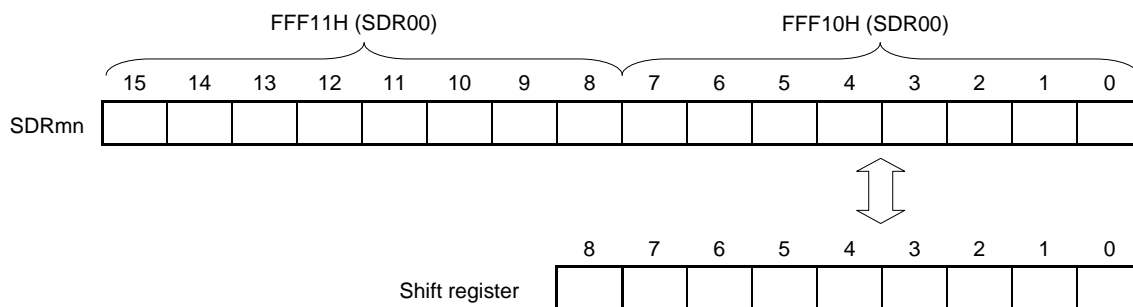
Remarks 1. After data is received, "0" is stored in bits 0 to 8 in bit portions that exceed the data length.

- 2.** m: Unit number (m = 0), n: Channel number (n = 0, 1), p: CSI number (p = 00, 01),
q: UART number (q = 0)

Figure 12-2. Format of Serial Data Register mn (SDRmn) (mn = 00, 01)

Address: FFF10H, FFF11H (SDR00), FFF12H, FFF13H (SDR01)

After reset: 0000H R/W



Remark For the function of the higher 7 bits of the SDRmn register, see **12.3 Registers Controlling Serial Array Unit**.

12.3 Registers Controlling Serial Array Unit

Serial array unit is controlled by the following registers.

- Peripheral enable register 0 (PER0)
- Serial clock select register m (SPSm)
- Serial mode register mn (SMRmn)
- Serial communication operation setting register mn (SCRmn)
- Serial data register mn (SDRmn)
- Serial flag clear trigger register mn (SIRmn)
- Serial status register mn (SSRmn)
- Serial channel start register m (SSm)
- Serial channel stop register m (STm)
- Serial channel enable status register m (SEm)
- Serial output enable register m (SOEm)
- Serial output level register m (SOLm)
- Serial output register m (SOM)
- Serial standby control register m (SSCm)
- Input switch control register (ISC)
- Noise filter enable register 0 (NFEN0)
- Port input mode register 1 (PIM1)
- Port output mode register 1 (POM1)
- LCD port function registers 0, 3 (PFSEG0, PFSEG3)
- Port mode register 1 (PM1)
- Port registers 1 (P1)

Remark m: Unit number (m = 0), n: Channel number (n = 0, 1)

12.3.1 Peripheral enable register 0 (PER0)

PER0 is used to enable or disable supplying the clock to the peripheral hardware. Clock supply to a hardware macro that is not used is stopped in order to reduce the power consumption and noise.

When serial array unit is used, be sure to set bit 2 (SAU0EN) of this register to 1.

The PER0 register can be set by a 1-bit or 8-bit memory manipulation instruction.

Reset signal generation clears the PER0 register to 00H.

Figure 12-3. Format of Peripheral Enable Register 0 (PER0)

Address: F00F0H After reset: 00H R/W

Symbol	<7>	6	<5>	<4>	3	<2>	1	<0>
PER0	RTCEN	0	ADCEN	IICA0EN	0	SAU0EN	0	TAU0EN

SAU0EN	Control of serial array unit input clock supply
0	Stops supply of input clock. <ul style="list-style-type: none"> • SFR used by serial array unit cannot be written. • Serial array unit is in the reset status.
1	Enables input clock supply. <ul style="list-style-type: none"> • SFR used by serial array unit can be read/written.

<R>

- Cautions**
- When setting serial array unit, be sure to first set the following registers with the SAU0EN bit set to 1. If SAU0EN = 0, control registers of serial array unit m become default values and writing to them is ignored (except for the input switch control register (ISC), noise filter enable register 0 (NFEN0), port input mode register 1 (PIM1), port output mode register 1 (POM1), LCD port function registers 0, 3 (PFSEG0, PFSEG3), port mode register 1 (PM1), and port register 1 (P1)).
 - Serial clock select register m (SPSm)
 - Serial mode register mn (SMRmn)
 - Serial communication operation setting register mn (SCRmn)
 - Serial data register mn (SDRmn)
 - Serial flag clear trigger register mn (SIRmn)
 - Serial status register mn (SSRmn)
 - Serial channel start register m (SSm)
 - Serial channel stop register m (STm)
 - Serial channel enable status register m (SEm)
 - Serial output enable register m (SOEm)
 - Serial output level register m (SOLm)
 - Serial output register m (SOM)
 - Serial standby control register m (SSCm)
 - Be sure to clear bits 1, 3, 6 to "0".

12.3.2 Serial clock select register m (SPSm)

The SPSm register is a 16-bit register that is used to select two types of operation clocks (CKm0, CKm1) that are commonly supplied to each channel. CKm1 is selected by bits 7 to 4 of the SPSm register, and CKm0 is selected by bits 3 to 0.

Rewriting the SPSm register is prohibited when the register is in operation (when SEMn = 1).

The SPSm register can be set by a 16-bit memory manipulation instruction.

The lower 8 bits of the SPSm register can be set with an 8-bit memory manipulation instruction with SPSmL.

Reset signal generation clears the SPSm register to 0000H.

Figure 12-4. Format of Serial Clock Select Register m (SPSm)

Address: F0126H, F0127H After reset: 0000H R/W

Symbol	15	14	13	12	11	10	9	8	7	6	5	4	3	2	1	0
SPSm	0	0	0	0	0	0	0	0	PRS m13	PRS m12	PRS m11	PRS m10	PRS m03	PRS m02	PRS m01	PRS m00

PRS mk3	PRS mk2	PRS mk1	PRS mk0	f _{CLK}	Section of operation clock (CKmk) ^{Note 1}				
					f _{CLK} = 2 MHz	f _{CLK} = 5 MHz	f _{CLK} = 10 MHz	f _{CLK} = 20 MHz	f _{CLK} = 24 MHz
0	0	0	0	f _{CLK}	2 MHz	5 MHz	10 MHz	20 MHz	24 MHz
0	0	0	1	f _{CLK} /2	1 MHz	2.5 MHz	5 MHz	10 MHz	12 MHz
0	0	1	0	f _{CLK} /2 ²	500 kHz	1.25 MHz	2.5 MHz	5 MHz	6 MHz
0	0	1	1	f _{CLK} /2 ³	250 kHz	625 kHz	1.25 MHz	2.5 MHz	3 MHz
0	1	0	0	f _{CLK} /2 ⁴	125 kHz	313 kHz	625 kHz	1.25 MHz	1.5 MHz
0	1	0	1	f _{CLK} /2 ⁵	62.5 kHz	156 kHz	313 kHz	625 kHz	750 kHz
0	1	1	0	f _{CLK} /2 ⁶	31.3 kHz	78.1 kHz	156 kHz	313 kHz	375 kHz
0	1	1	1	f _{CLK} /2 ⁷	15.6 kHz	39.1 kHz	78.1 kHz	156 kHz	187.5 kHz
1	0	0	0	f _{CLK} /2 ⁸	7.81 kHz	19.5 kHz	39.1 kHz	78.1 kHz	93.8 kHz
1	0	0	1	f _{CLK} /2 ⁹	3.91 kHz	9.77 kHz	19.5 kHz	39.1 kHz	46.9 kHz
1	0	1	0	f _{CLK} /2 ¹⁰	1.95 kHz	4.88 kHz	9.77 kHz	19.5 kHz	23.4 kHz
1	0	1	1	f _{CLK} /2 ¹¹	977 Hz	2.44 kHz	4.88 kHz	9.77 kHz	11.7 kHz
1	1	0	0	f _{CLK} /2 ¹²	488 Hz	1.22 kHz	2.44 kHz	4.88 kHz	5.86 kHz
1	1	0	1	f _{CLK} /2 ¹³	244 Hz	610 Hz	1.22 kHz	2.44 kHz	2.93 kHz
1	1	1	0	f _{CLK} /2 ¹⁴	122 Hz	305 Hz	610 Hz	1.22 kHz	1.46 kHz
1	1	1	1	f _{CLK} /2 ¹⁵	61 Hz	153 kHz	305 Hz	610 Hz	732 Hz

Note When changing the clock selected for f_{CLK} (by changing the system clock control register (CKC) value), do so after having stopped (serial channel stop register m (STm) = 000FH) the operation of the serial array unit (SAU).

Caution Be sure to clear bits 15 to 8 to "0".

- Remarks**
- f_{CLK}: CPU/peripheral hardware clock frequency
f_{SUB}: Subsystem clock frequency
 - m: Unit number (m = 0)
 - k = 0, 1

12.3.3 Serial mode register mn (SMRmn)

The SMRmn register is a register that sets an operation mode of channel n. It is also used to select an operation clock (f_{MCK}), specify whether the serial clock (f_{SCK}) may be input or not, set a start trigger, an operation mode (CSI, or UART), and an interrupt source. This register is also used to invert the level of the receive data only in the UART mode.

Rewriting the SMRmn register is prohibited when the register is in operation (when SEMn = 1). However, the MDmn0 bit can be rewritten during operation.

The SMRmn register can be set by a 16-bit memory manipulation instruction.

Reset signal generation sets the SMRmn register to 0020H.

Figure 12-5. Format of Serial Mode Register mn (SMRmn) (1/2)

Address: F0110H, F0111H (SMR00), F0112H, F0113H (SMR01) After reset: 0020H R/W

Symbol	15	14	13	12	11	10	9	8	7	6	5	4	3	2	1	0
SMRmn	CKS mn	CCS mn	0	0	0	0	0	STS mn ^{Note}	0	SIS mn0 ^{Note}	1	0	0	0	MD mn1	MD mn0

CKS mn	Selection of operation clock (f _{MCK}) of channel n
0	Operation clock CKm0 set by the SPSm register
1	Operation clock CKm1 set by the SPSm register
Operation clock (f _{MCK}) is used by the edge detector. In addition, depending on the setting of the CCSmn bit and the higher 7 bits of the SDRmn register, a transfer clock (f _{TCLK}) is generated.	

CCS mn	Selection of transfer clock (f _{TCLK}) of channel n
0	Divided operation clock f _{MCK} specified by the CKSmn bit
1	Clock input f _{SCK} from the \overline{SCKp} pin (slave transfer in CSI mode)
Transfer clock f _{TCLK} is used for the shift register, communication controller, output controller, interrupt controller, and error controller. When CCSmn = 0, the division ratio of operation clock (f _{MCK}) is set by the higher 7 bits of the SDRmn register.	

STS mn	Selection of start trigger source
0	Only software trigger is valid (selected for CSI and UART transmission).
1	Valid edge of the RxDq pin (selected for UART reception)
Transfer is started when the above source is satisfied after 1 is set to the SSm register.	

Note The SMR01 register only.

Caution Be sure to clear bits 13 to 6, and 4 to 2 for the SMR00 register, or bits 13 to 9, 7, 4 to 2 for the SMR01 register to “0”. And be sure to set bit 5 to “1”.

Remark m: Unit number (m = 0), n: Channel number (n = 0, 1), p: CSI number (p = 00, 01), q: UART number (q = 0)

Figure 12-5. Format of Serial Mode Register mn (SMRmn) (2/2)

Address: F0110H, F0111H (SMR00), F0112H, F0113H (SMR01) After reset: 0020H R/W

Symbol	15	14	13	12	11	10	9	8	7	6	5	4	3	2	1	0
SMRmn	CKS mn	CCS mn	0	0	0	0	0	STS mn ^{Note}	0	SIS mn0 ^{Note}	1	0	0	0	MD mn1	MD mn0

SIS mn0	Controls inversion of level of receive data of channel n in UART mode
0	Falling edge is detected as the start bit. The input communication data is captured as is.
1	Rising edge is detected as the start bit. The input communication data is inverted and captured.

MD mn1	Setting of operation mode of channel n
0	CSI mode
1	UART mode

MD mn0	Selection of interrupt source of channel n
0	Transfer end interrupt
1	Buffer empty interrupt (Occurs when data is transferred from the SDRmn register to the shift register.)
For successive transmission, the next transmit data is written by setting the MDmn0 bit to 1 when SDRmn data has run out.	

Note The SMR01 register only.

Caution Be sure to clear bits 13 to 6, and 4 to 2 for the SMR00 register, or bits 13 to 9, 7, 4 to 2 for the SMR01 register to “0”. And be sure to set bit 5 to “1”.

Remark m: Unit number (m = 0), n: Channel number (n = 0, 1), p: CSI number (p = 00, 01),
q: UART number (q = 0)

12.3.4 Serial communication operation setting register mn (SCRmn)

The SCRmn register is a communication operation setting register of channel n. It is used to set a data transmission/reception mode, phase of data and clock, whether an error signal is to be masked or not, parity bit, start bit, stop bit, and data length.

Rewriting the SCRmn register is prohibited when the register is in operation (when SEMn = 1).

The SCRmn register can be set by a 16-bit memory manipulation instruction.

Reset signal generation sets the SCRmn register to 0087H.

Figure 12-6. Format of Serial Communication Operation Setting Register mn (SCRmn) (1/2)

Address: F0118H, F0119H (SCR00), F011AH, F011BH (SCR01) After reset: 0087H R/W

Symbol	15	14	13	12	11	10	9	8	7	6	5	4	3	2	1	0
SCRmn	TXE mn	RXE mn	DAP mn	CKP mn	0	EOC mn	PTC mn1	PTC mn0	DIR mn	0	SLC mn1 Note 1	SLC mn0	0	1	DLS mn1	DLS mn0

TXE mn	RXE mn	Setting of operation mode of channel n
0	0	Disable communication.
0	1	Reception only
1	0	Transmission only
1	1	Transmission/reception

DAP mn	CKP mn	Selection of data and clock phase in CSI mode	Type
0	0		1
0	1		2
1	0		3
1	1		4

Be sure to set DAPmn, CKPmn = 0, 0 in the UART mode.

EOC mn	Selection of masking of error interrupt signal (INTSREx (x = 0 to 3))
0	Masks error interrupt INTSREx (INTSRx is not masked).
1	Enables generation of error interrupt INTSREx (INTSRx is masked if an error occurs).

Set EOCmn = 0 in the CSI mode, and during UART transmission ^{Note 2}.

- Notes**
1. The SCR00 register only.
 2. When using CSIp not with EOCmn = 0, error interrupt INTSREn may be generated.

Caution Be sure to clear the following bits to “0”.

- SCR00: bits 11, 6, 3
- SCR01: bits 11, 6, 5, 3

Be sure to set bit 2 to “1”.

Remark m: Unit number (m = 0), n: Channel number (n = 0, 1), p: CSI number (p = 00, 01)

Figure 12-6. Format of Serial Communication Operation Setting Register mn (SCRmn) (2/2)

Address: F0118H, F0119H (SCR00), F011AH, F011BH (SCR01) After reset: 0087H R/W

Symbol	15	14	13	12	11	10	9	8	7	6	5	4	3	2	1	0
SCRmn	TXE mn	RXE mn	DAP mn	CKP mn	0	EOC mn	PTC mn1	PTC mn0	DIR mn	0	SLC mn1 Note 1	SLC mn0	0	1	DLS mn1	DLS mn0

PTC mn1	PTC mn0	Setting of parity bit in UART mode			
		Transmission		Reception	
0	0	Does not output the parity bit.		Receives without parity	
0	1	Outputs 0 parity ^{Note 2} .		No parity judgment	
1	0	Outputs even parity.		Judged as even parity.	
1	1	Outputs odd parity.		Judges as odd parity.	
Be sure to set PTCmn1, PTCmn0 = 0, 0 in the CSI mode.					

DIR mn	Selection of data transfer sequence in CSI and UART modes			
	0	Inputs/outputs data with MSB first.		
	1	Inputs/outputs data with LSB first.		

SLC mn1 Note 1	SLC mn0	Setting of stop bit in UART mode			
		0	0	No stop bit	
		0	1	Stop bit length = 1 bit	
		1	0	Stop bit length = 2 bits (mn = 00, 02, 10, 12 only)	
		1	1	Setting prohibited	
When the transfer end interrupt is selected, the interrupt is generated when all stop bits have been completely transferred. Set 1 bit (SLCmn1, SLCmn0 = 0, 1) during UART reception. Set no stop bit (SLCmn1, SLCmn0 = 0, 0) in the CSI mode.					

DLS mn1	DLS mn0	Setting of data length in CSI and UART modes			
		0	1	9-bit data length (stored in bits 0 to 8 of the SDRmn register) (settable in UART0 mode only)	
		1	0	7-bit data length (stored in bits 0 to 6 of the SDRmn register)	
		1	1	8-bit data length (stored in bits 0 to 7 of the SDRmn register)	
		Other than above		Setting prohibited	

- Notes**
1. The SCR00 register only.
 2. 0 is always added regardless of the data contents.

Caution Be sure to clear the following bits to “0”.

- SCR00: bits 11, 6, 3
- SCR01: bits 11, 6, 5, 3

Be sure to set bit 2 to “1”.

Remark m: Unit number (m = 0), n: Channel number (n = 0, 1), p: CSI number (p = 00, 01)

12.3.6 Serial flag clear trigger register mn (SIRmn)

The SIRmn register is a trigger register that is used to clear each error flag of channel n.

When each bit (FECTmn, PECTmn, OVCTmn) of this register is set to 1, the corresponding bit (FEFmn, PEFmn, OVFmn) of serial status register mn is cleared to 0. Because the SIRmn register is a trigger register, it is cleared immediately when the corresponding bit of the SSRmn register is cleared.

The SIRmn register can be set by a 16-bit memory manipulation instruction.

The lower 8 bits of the SIRmn register can be set with an 8-bit memory manipulation instruction with SIRmnL.

Reset signal generation clears the SIRmn register to 0000H.

Figure 12-8. Format of Serial Flag Clear Trigger Register mn (SIRmn)

Address: F0108H, F0109H (SIR00), F010AH, F010BH (SIR01) After reset: 0000H R/W

Symbol	15	14	13	12	11	10	9	8	7	6	5	4	3	2	1	0
SIRmn	0	0	0	0	0	0	0	0	0	0	0	0	0	FECT mn ^{Note}	PEC Tmn	OVC Tmn

FEC Tmn	Clear trigger of framing error of channel n
0	Not cleared
1	Clears the FEFmn bit of the SSRmn register to 0.

PEC Tmn	Clear trigger of parity error flag of channel n
0	Not cleared
1	Clears the PEFmn bit of the SSRmn register to 0.

OVC Tmn	Clear trigger of overrun error flag of channel n
0	Not cleared
1	Clears the OVFmn bit of the SSRmn register to 0.

Note The SIR01 register only.

Caution Be sure to clear bits 15 to 3 (or bits 15 to 2 for the SIR00 register) to “0”.

- Remarks**
1. m: Unit number (m = 0), n: Channel number (n = 0, 1)
 2. When the SIRmn register is read, 0000H is always read.

12.3.7 Serial status register mn (SSRmn)

The SSRmn register is a register that indicates the communication status and error occurrence status of channel n. The errors indicated by this register are a framing error, parity error, and overrun error.

The SSRmn register can be read by a 16-bit memory manipulation instruction.

The lower 8 bits of the SSRmn register can be set with an 8-bit memory manipulation instruction with SSRmnL.

Reset signal generation clears the SSRmn register to 0000H.

Figure 12-9. Format of Serial Status Register mn (SSRmn) (1/2)

Address: F0100H, F0101H (SSR00), F0102H, F0103H (SSR01) After reset: 0000H R

Symbol	15	14	13	12	11	10	9	8	7	6	5	4	3	2	1	0
SSRmn	0	0	0	0	0	0	0	0	0	TSF mn	BFF mn	0	0	FEF mn ^{Note}	PEF mn	OVF mn

TSF mn	Communication status indication flag of channel n
0	Communication is stopped or suspended.
1	Communication is in progress.
<p><Clear conditions></p> <ul style="list-style-type: none"> The STmn bit of the STm register is set to 1 (communication is stopped) or the SSmn bit of the SSm register is set to 1 (communication is suspended). Communication ends. <p><Set condition></p> <ul style="list-style-type: none"> Communication starts. 	

BFF mn	Buffer register status indication flag of channel n
0	Valid data is not stored in the SDRmn register.
1	Valid data is stored in the SDRmn register.
<p><Clear conditions></p> <ul style="list-style-type: none"> Transferring transmit data from the SDRmn register to the shift register ends during transmission. Reading receive data from the SDRmn register ends during reception. The STmn bit of the STm register is set to 1 (communication is stopped) or the SSmn bit of the SSm register is set to 1 (communication is enabled). <p><Set conditions></p> <ul style="list-style-type: none"> Transmit data is written to the SDRmn register while the TXEmn bit of the SCRmn register is set to 1 (transmission or transmission and reception mode in each communication mode). Receive data is stored in the SDRmn register while the RXEmn bit of the SCRmn register is set to 1 (reception or transmission and reception mode in each communication mode). A reception error occurs. 	

Note The SSR01 register only.

Caution If data is written to the SDRmn register when BFFmn = 1, the transmit/receive data stored in the register is discarded and an overrun error (OVEmn = 1) is detected.

Remark m: Unit number (m = 0), n: Channel number (n = 0, 1)

Figure 12-9. Format of Serial Status Register mn (SSRmn) (2/2)

Address: F0100H, F0101H (SSR00), F0102H, F0103H (SSR01) After reset: 0000H R

Symbol	15	14	13	12	11	10	9	8	7	6	5	4	3	2	1	0
SSRmn	0	0	0	0	0	0	0	0	0	TSF mn	BFF mn	0	0	FEF mn ^{Note}	PEF mn	OVF mn

FEF mn ^{Note}	Framing error detection flag of channel n
0	No error occurs.
1	An error occurs (during UART reception).
<p><Clear condition></p> <ul style="list-style-type: none"> • 1 is written to the FECTmn bit of the SIRmn register. <p><Set condition></p> <ul style="list-style-type: none"> • A stop bit is not detected when UART reception ends. 	

PEF mn	Parity error detection flag of channel n
0	No error occurs.
1	Parity error occurs (during UART reception).
<p><Clear condition></p> <ul style="list-style-type: none"> • 1 is written to the PECTmn bit of the SIRmn register. <p><Set condition></p> <ul style="list-style-type: none"> • The parity of the transmit data and the parity bit do not match when UART reception ends (parity error). 	

OVF mn	Overrun error detection flag of channel n
0	No error occurs.
1	An error occurs
<p><Clear condition></p> <ul style="list-style-type: none"> • 1 is written to the OVCTmn bit of the SIRmn register. <p><Set condition></p> <ul style="list-style-type: none"> • Even though receive data is stored in the SDRmn register, that data is not read and transmit data or the next receive data is written while the RXEmn bit of the SCRmn register is set to 1 (reception or transmission and reception mode in each communication mode). • Transmit data is not ready for slave transmission or transmission and reception in CSI mode. 	

Note The SSR01 register only.

Remark m: Unit number (m = 0), n: Channel number (n = 0, 1)

12.3.8 Serial channel start register m (SSm)

The SSm register is a trigger register that is used to enable starting communication/count by each channel.

When 1 is written a bit of this register (SSmn), the corresponding bit (SEmn) of serial channel enable status register m (SEm) is set to 1 (Operation is enabled). Because the SSmn bit is a trigger bit, it is cleared immediately when SEmn = 1.

The SSm register can be set by a 16-bit memory manipulation instruction.

The lower 8 bits of the SSm register can be set with an 1-bit or 8-bit memory manipulation instruction with SSmL.

Reset signal generation clears the SSm register to 0000H.

Figure 12-10. Format of Serial Channel Start Register m (SSm)

Address: F0122H, F0123H After reset: 0000H R/W

Symbol	15	14	13	12	11	10	9	8	7	6	5	4	3	2	1	0
SS0	0	0	0	0	0	0	0	0	0	0	0	0	0	0	SS01	SS00

SSmn	Operation start trigger of channel n
0	No trigger operation
1	Sets the SEmn bit to 1 and enters the communication wait status ^{Note} .

Note If set the SSmn = 1 to during a communication operation, will wait status to stop the communication. At this time, holding status value of control register and shift register, SCKmn and SOMn pins, and FEFmn, PEFmn, OVFmn flags.

- Cautions**
1. Be sure to clear bits 15 to 2 to "0".
 2. For the UART reception, set the RXEmn bit of SCRmn register to 1, and then be sure to set SSmn to 1 after 4 or more f_{MCK} clocks have elapsed.

- Remarks**
1. m: Unit number (m = 0), n: Channel number (n = 0, 1)
 2. When the SSm register is read, 0000H is always read.

12.3.9 Serial channel stop register m (STm)

The STm register is a trigger register that is used to enable stopping communication/count by each channel.

When 1 is written a bit of this register (STmn), the corresponding bit (SEmn) of serial channel enable status register m (SEm) is cleared to 0 (operation is stopped). Because the STmn bit is a trigger bit, it is cleared immediately when SEmn = 0.

The STm register can set written by a 16-bit memory manipulation instruction.

The lower 8 bits of the STm register can be set with a 1-bit or 8-bit memory manipulation instruction with STmL.

Reset signal generation clears the STm register to 0000H.

Figure 12-11. Format of Serial Channel Stop Register m (STm)

Address: F0124H, F0125H After reset: 0000H W

Symbol	15	14	13	12	11	10	9	8	7	6	5	4	3	2	1	0
ST0	0	0	0	0	0	0	0	0	0	0	0	0	0	0	ST01	ST00

STm n	Operation stop trigger of channel n
0	No trigger operation
1	Clears the SEmn bit to 0 and stops the communication operation ^{Note} .

Note Holding status value of the control register and shift register, the \overline{SCKmn} and $SOMn$ pins, and FEFmn, PEFmn, OVFmn flags.

Caution Be sure to clear bits 15 to 2 to “0”.

Remarks 1. m: Unit number (m = 0), n: Channel number (n = 0, 1)
 2. When the STm register is read, 0000H is always read.

12.3.10 Serial channel enable status register m (SEm)

The SEm register indicates whether data transmission/reception operation of each channel is enabled or stopped.

When 1 is written a bit of serial channel start register m (SSm), the corresponding bit of this register is set to 1. When 1 is written a bit of serial channel stop register m (STm), the corresponding bit is cleared to 0.

Channel n that is enabled to operate cannot rewrite by software the value of the CKOm_n bit (serial clock output of channel n) of serial output register m (SOM) to be described below, and a value reflected by a communication operation is output from the serial clock pin.

Channel n that stops operation can set the value of the CKOm_n bit of the SOM register by software and output its value from the serial clock pin. In this way, any waveform, such as that of a start condition/stop condition, can be created by software.

The SEm register can be read by a 16-bit memory manipulation instruction.

The lower 8 bits of the SEm register can be set with a 1-bit or 8-bit memory manipulation instruction with SEmL.

Reset signal generation clears the SEm register to 0000H.

Figure 12-12. Format of Serial Channel Enable Status Register m (SEm)

Address: F0120H, F0121H After reset: 0000H R

Symbol	15	14	13	12	11	10	9	8	7	6	5	4	3	2	1	0
SE0	0	0	0	0	0	0	0	0	0	0	0	0	0	0	SE01	SE00

SEm _n	Indication of operation enable/stop status of channel n
0	Operation stops
1	Operation is enabled.

Remark m: Unit number (m = 0), n: Channel number (n = 0, 1)

12.3.11 Serial output enable register m (SOEm)

The SOEm register is a register that is used to enable or stop output of the serial communication operation of each channel.

Channel n that enables serial output cannot rewrite by software the value of the SOMn bit of serial output register m (SOM) to be described below, and a value reflected by a communication operation is output from the serial data output pin.

For channel n, whose serial output is stopped, the SOMn bit value of the SOM register can be set by software, and that value can be output from the serial data output pin. In this way, any waveform of the start condition and stop condition can be created by software.

The SOEm register can be set by a 16-bit memory manipulation instruction.

The lower 8 bits of the SOEm register can be set with a 1-bit or 8-bit memory manipulation instruction with SOEmL. Reset signal generation clears the SOEm register to 0000H.

Figure 12-13. Format of Serial Output Enable Register m (SOEm)

Address: F012AH, F012BH After reset: 0000H R/W

Symbol	15	14	13	12	11	10	9	8	7	6	5	4	3	2	1	0
SOE0	0	0	0	0	0	0	0	0	0	0	0	0	0	0	SOE01	SOE00

SOEmn	Serial output enable/stop of channel n
0	Stops output by serial communication operation.
1	Enables output by serial communication operation.

Caution Be sure to clear bits 15 to 2 to “0”.

Remark m: Unit number (m = 0), n: Channel number (n = 0, 1)

12.3.12 Serial output register m (SOM)

The SOM register is a buffer register for serial output of each channel.

The value of the SOMn bit of this register is output from the serial data output pin of channel n.

The value of the CKOMn bit of this register is output from the serial clock output pin of channel n.

The SOMn bit of this register can be rewritten by software only when serial output is disabled (SOEmn = 0). When serial output is enabled (SOEmn = 1), rewriting by software is ignored, and the value of the register can be changed only by a serial communication operation.

The CKOMn bit of this register can be rewritten by software only when the channel operation is stopped (SEmn = 0). While channel operation is enabled (SEmn = 1), rewriting by software is ignored, and the value of the CKOMn bit can be changed only by a serial communication operation.

To use the pin for serial interface as a port function pin, set the corresponding CKOMn and SOMn bits to "1".

The SOM register can be set by a 16-bit memory manipulation instruction.

Reset signal generation clears the SOM register to 0F0FH.

Figure 12-14. Format of Serial Output Register m (SOM)

Address: F0128H, F0129H After reset: 0303H R/W

Symbol	15	14	13	12	11	10	9	8	7	6	5	4	3	2	1	0
SO0	0	0	0	0	0	0	CKO 01	CKO 00	0	0	0	0	0	0	SO 01	SO 00

CKO mn	Serial clock output of channel n														
0	Serial clock output value is "0".														
1	Serial clock output value is "1".														

SO mn	Serial data output of channel n														
0	Serial data output value is "0".														
1	Serial data output value is "1".														

Caution Be sure to clear bits 15 to 10 and 7 to 2 to "0".

Remark m: Unit number (m = 0), n: Channel number (n = 0, 1)

12.3.13 Serial output level register m (SOLm)

The SOLm register is a register that is used to set inversion of the data output level of each channel.

This register can be set only in the UART mode. Be sure to set 0 for corresponding bit in the CSI mode.

Inverting channel n by using this register is reflected on pin output only when serial output is enabled (SOEmn = 1). When serial output is disabled (SOEmn = 0), the value of the SOMn bit is output as is.

Rewriting the SOLm register is prohibited when the register is in operation (when SEMn = 1).

The SOLm register can be set by a 16-bit memory manipulation instruction.

The lower 8 bits of the SOLm register can be set with an 8-bit memory manipulation instruction with SOLmL.

Reset signal generation clears the SOLm register to 0000H.

Figure 12-15. Format of Serial Output Level Register m (SOLm)

Address: F0134H, F0135H After reset: 0000H R/W

Symbol	15	14	13	12	11	10	9	8	7	6	5	4	3	2	1	0
SOL0	0	0	0	0	0	0	0	0	0	0	0	0	0	0	0	SOL00

SOLmn	Selects inversion of the level of the transmit data of channel n in UART mode
0	Communication data is output as is.
1	Communication data is inverted and output.

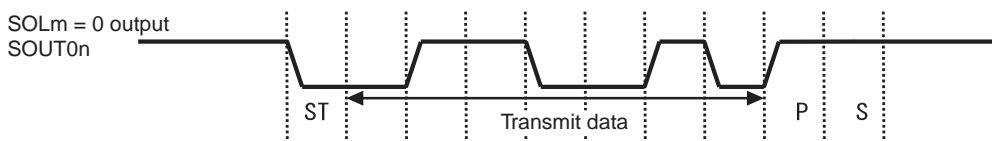
Caution Be sure to clear bits 15 to 1 to “0”.

Remark m: Unit number (m = 0), n: Channel number (n = 0)

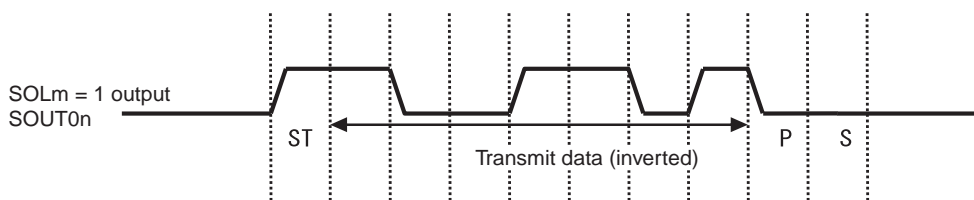
<R> Figure 12-16 shows examples in which the level of transmit data is reversed during UART transmission.

Figure 12-16. Examples of Reverse Transmit Data

(a) Non-reverse Output (SOLmn = 0)



(b) Reverse Output (SOLmn = 1)



Remark m: Unit number (m = 0), n: Channel number (n = 0, 1)

12.3.14 Serial standby control register m (SSCm)

The SSCm register is used to control the startup of reception (the SNOOZE mode) while in the STOP mode when receiving CSI00 or UART0 serial data.

The SSCm register can be set by a 16-bit memory manipulation instruction.

The lower 8 bits of the SSCm register can be set with an 8-bit memory manipulation instruction with SSCmL.

Reset signal generation clears the SSCm register to 0000H.

<R> **Caution** The maximum transfer rate in the SNOOZE mode is as follows.

- When using CSI00 : Up to 1 Mbps
- When using UART0 : 4800 bps only

<R> **Figure 12-17. Format of Serial Standby Control Register m (SSCm)**

Address: F0138H After reset: 0000H R/W

Symbol	15	14	13	12	11	10	9	8	7	6	5	4	3	2	1	0
SSCm	0	0	0	0	0	0	0	0	0	0	0	0	0	0	SS ECm	SWC m

SS ECm	Selection of whether to enable or disable the generation of transfer end interrupt
0	Enable the generation of error interrupts (INTSRE0/INTSRE2).
1	Disable the generation of error interrupts (INTSRE0/INTSRE2).
<ul style="list-style-type: none"> • The SSECm bit can be set to 1 or 0 only when both the SWCm and EOCmn bits are set to 1 during UART reception in the SNOOZE mode. In other cases, clear the SSECm bit to 0. • Setting SSECm, SWCm = 1, 0 is prohibited. 	

SWC m	Setting of the SNOOZE mode
0	Do not use the SNOOZE mode function.
1	Use the SNOOZE mode function.
<ul style="list-style-type: none"> • When there is a hardware trigger signal in the STOP mode, the STOP mode is exited, and A/D conversion is performed without operating the CPU (the SNOOZE mode). • The SNOOZE mode function can only be specified when the high-speed on-chip oscillator clock is selected for the CPU/peripheral hardware clock (f_{CLK}). If any other clock is selected, specifying this mode is prohibited. • Even when using SNOOZE mode, be sure to set the SWCm bit to 0 in normal operation mode and change it to 1 just before shifting to STOP mode. Also, be sure to change the SWCm bit to 0 after returning from STOP mode to normal operation mode. 	

Caution Setting SSECm, SWCm = 1, 0 is prohibited.

Remark m: Unit number (m = 0)

<R>

Figure 12-18. Interrupt in UART Reception Operation in SNOOZE Mode

EOCm Bit	SSECm Bit	Reception Ended Successfully	Reception Ended in an Error
0	0	INTSRx is generated.	INTSRx is generated.
0	1	INTSRx is generated.	INTSRx is generated.
1	0	INTSRx is generated.	INTSREx is generated.
1	1	INTSRx is generated.	No interrupt is generated.

12.3.15 Input switch control register (ISC)

The ISC1 and ISC0 bits of the ISC register are used to realize a LIN-bus communication operation by UART0 in coordination with an external interrupt and the timer array unit.

When bit 0 is set to 1, the input signal of the serial data input (RxD0) pin is selected as an external interrupt (INTP0) that can be used to detect a wakeup signal.

When bit 1 is set to 1, the input signal of the serial data input (RxD0) pin is selected as a timer input, so that wake up signal can be detected, the low width of the break field, and the pulse width of the sync field can be measured by the timer.

The ISC register can be set by a 1-bit or 8-bit memory manipulation instruction.

Reset signal generation clears the ISC register to 00H.

Figure 12-19. Format of Input Switch Control Register (ISC)

Address: F0073H After reset: 00H R/W

Symbol	7	6	5	4	3	2	1	0
ISC	0	0	0	0	0	0	ISC1	ISC0

ISC1	Switching channel 5 input of timer array unit
0	52 and 64-pin products: Uses the input signal of the TI05 pin as a timer input (normal operation). 32, 44, 48-pin products: Do not use a timer input signal for channel 5.
1	Input signal of the RxD0 pin is used as timer input (detects the wakeup signal and measures the low width of the break field and the pulse width of the sync field).

ISC0	Switching external interrupt (INTP0) input
0	Uses the input signal of the INTP0 pin as an external interrupt (normal operation).
1	Uses the input signal of the RxD0 pin as an external interrupt (wakeup signal detection).

Caution Be sure to clear bits 7 to 2 to “0”.

12.3.16 Noise filter enable register 0 (NFEN0)

The NFEN0 register is used to set whether the noise filter can be used for the input signal from the serial data input pin to each channel.

Disable the noise filter of the pin used for CSI communication, by clearing the corresponding bit of this register to 0.

Enable the noise filter of the pin used for UART communication, by setting the corresponding bit of this register to 1.

When the noise filter is enabled, CPU/peripheral hardware clock (f_{CLK}) is synchronized with 2-clock match detection.

When the noise filter is OFF, only synchronization is performed with the CPU/peripheral hardware clock (f_{MCK}).

The NFEN0 register can be set by a 1-bit or 8-bit memory manipulation instruction.

Reset signal generation clears the NFEN0 register to 00H.

Figure 12-20. Format of Noise Filter Enable Register 0 (NFEN0)

Address: F0070H	After reset: 00H	R/W						
Symbol	7	6	5	4	3	2	1	0
NFEN0	0	0	0	0	0	0	0	SNFEN00
SNFEN00	Use of noise filter of RxD0 pin							
0	Noise filter OFF							
1	Noise filter ON							
Set the SNFEN00 bit to 1 to use the RxD0 pin.								
Clear the SNFEN00 bit to 0 to use the other than RxD0 pin.								

Caution Be sure to clear bits 7 to 1 to "0".

<R> 12.3.17 Registers controlling port functions of serial input/output pins

Using the serial array unit requires setting of the registers that control the port functions multiplexed on the target channel (port mode register (PMxx), port register (Pxx), port input mode register (PIMxx), port output mode register (POMxx), port mode control register (PMCxx)).

For details, see **4.3.1 Port mode registers (PMxx)**, **4.3.2 Port registers (Pxx)**, **4.3.4 Port input mode register (PIM1)**, **4.3.5 Port output mode register (POM1)**, and **4.3.6 Port mode control registers (PMCxx)**.

Specifically, using a port pin with a multiplexed serial data or serial clock output function (e.g. SO00/TxD0/TOOLTxD/KR0/SEG30) for serial data or serial clock output, requires setting the corresponding bits in the port mode control register (PMCxx) and port mode register (PMxx) to 0, and the corresponding bit in the port register (Pxx) to 1.

When using the port pin in N-ch open-drain output (V_{DD} tolerance/EV_{DD} tolerance) mode, set the corresponding bit in the port output mode register (POMxx) to 1. When connecting an external device operating on a different potential (1.8 V, 2.5 V or 3 V), see **4.4.5 Handling different potential (1.8 V, 2.5 V, 3 V) by using I/O buffers**.

Example: When SO00/TxD0/TOOLTxD/KR0/SEG30 is to be used for serial data output

- Set the PMC12 bit of port mode control register 1 to 0.
- Set the PM12 bit of port mode register 1 to 0.
- Set the P12 bit of port register 1 to 1.

Specifically, using a port pin with a multiplexed serial data or serial clock input function (e.g. SI00/RxD0/TOOLRxD/KR1/SEG29) for serial data or serial clock input, requires setting the corresponding bit in the port mode register (PMxx) to 1, and the corresponding bit in the port mode control register (PMCxx) to 0. In this case, the corresponding bit in the port register (Pxx) can be set to 0 or 1.

When the TTL input buffer is selected, set the corresponding bit in the port input mode register (PIMxx) to 1. When connecting an external device operating on a different potential (1.8 V, 2.5 V or 3 V), see **4.4.5 Handling different potential (1.8 V, 2.5 V, 3 V) by using I/O buffers**.

Example: When SI00/RxD0/TOOLRxD/KR1/SEG29 is to be used for serial data input

- Set the PMC11 bit of port mode control register 1 to 0.
- Set the PM11 bit of port mode register 1 to 1.
- Set the P11 bit of port register 1 to 0 or 1.

12.4 Operation stop mode

Each serial interface of serial array unit has the operation stop mode.

In this mode, serial communication cannot be executed, thus reducing the power consumption.

In addition, the pin for serial interface can be used as port function pins in this mode.

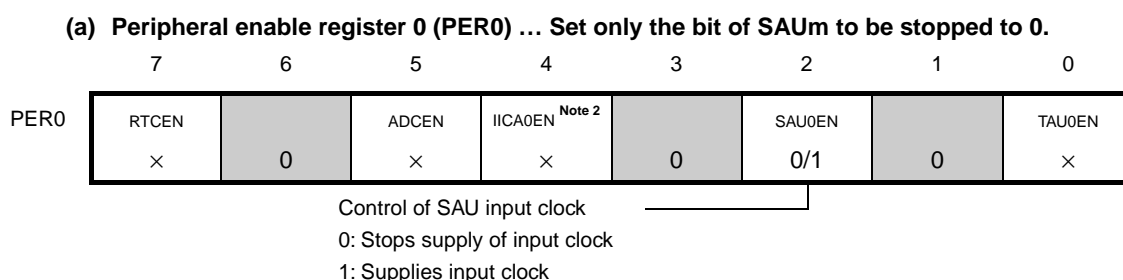
12.4.1 Stopping the operation by units

The stopping of the operation by units is set by using peripheral enable register 0 (PER0).

The PER0 register is used to enable or disable supplying the clock to the peripheral hardware. Clock supply to a hardware macro that is not used is stopped in order to reduce the power consumption and noise.

To stop the operation of serial array unit, set bit 2 (SAU0EN) to 0.

Figure 12-21. Peripheral Enable Register 0 (PER0) Setting When Stopping the Operation by Units



Cautions 1. If SAU0EN = 0, writing to a control register of serial array unit m is ignored, and, even if the register is read, only the default value is read

Note that this does not apply to the following registers.

- Input switch control register (ISC)
- Noise filter enable register 0 (NFEN0)
- Serial standby control register 0 (SSC0)
- Port input mode register 1 (PIM1)
- Port output mode register 1 (POM1)
- LCD port function registers 0, 3 (PFSEG0, PFSEG3)
- Port mode register 1 (PM1)
- Port register 1 (P1)

2. Be sure to clear bits to 6, 3, 1 to “0”.

Remark : Setting disabled (set to the initial value)

x: Bits not used with serial array units (depending on the settings of other peripheral functions)

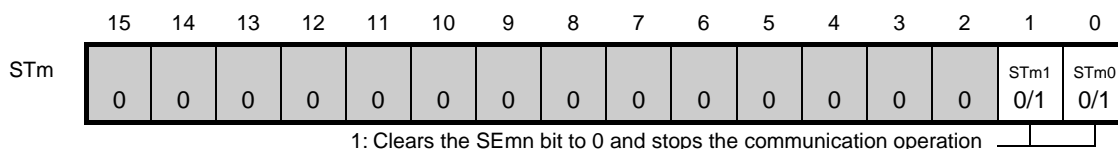
0/1: Set to 0 or 1 depending on the usage of the user

12.4.2 Stopping the operation by channels

The stopping of the operation by channels is set using each of the following registers.

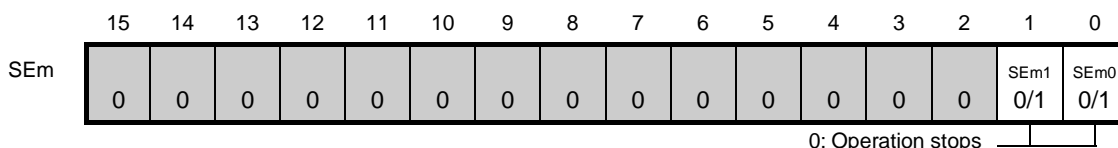
Figure 12-22. Each Register Setting When Stopping the Operation by Channels

(a) **Serial channel stop register m (STm) ... This register is a trigger register that is used to enable stopping communication/count by each channel.**



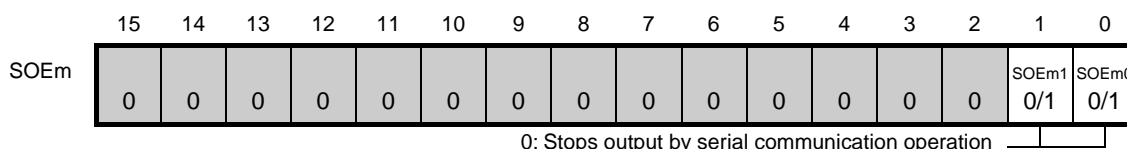
* Because the ST_mn bit is a trigger bit, it is cleared immediately when SE_mn = 0.

(b) **Serial Channel Enable Status Register m (SEm) ... This register indicates whether data transmission/reception operation of each channel is enabled or stopped.**



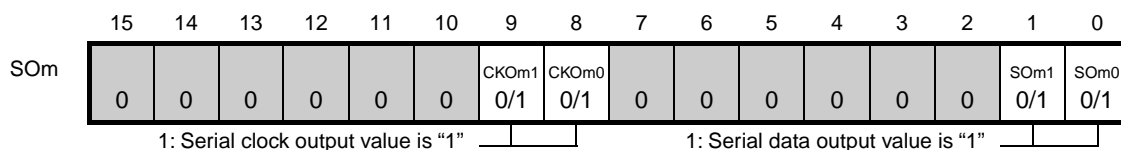
* The SEm register is a read-only status register, whose operation is stopped by using the STm register. With a channel whose operation is stopped, the value of the CKO_mn bit of the SOm register can be set by software.

(c) **Serial output enable register m (SOEm) ... This register is a register that is used to enable or stop output of the serial communication operation of each channel.**



* For channel n, whose serial output is stopped, the SO_mn bit value of the SOm register can be set by software.

(d) **Serial output register m (SOm) ... This register is a buffer register for serial output of each channel.**



* When using pins corresponding to each channel as port function pins, set the corresponding CKO_mn, SO_mn bits to "1".

- Remarks 1.** m: Unit number (m = 0), n: Channel number (n = 0, 1)
2. : Setting disabled (set to the initial value), 0/1: Set to 0 or 1 depending on the usage of the user

12.5 Operation of 3-Wire Serial I/O (CSI00, CSI01) Communication

This is a clocked communication function that uses three lines: serial clock ($\overline{\text{SCK}}$) and serial data (SI and SO) lines.

<R>

[Data transmission/reception]

- Data length of 7 or 8 bits
- Phase control of transmit/receive data
- MSB/LSB first selectable

[Clock control]

- Master/slave selection
- Phase control of I/O clock
- Setting of transfer period by prescaler and internal counter of each channel
- Maximum transfer rate

During master communication (CSI00): Max. $f_{\text{MCK}}/2$ ^{Notes 1, 2}

During master communication (CSI01): Max. $f_{\text{MCK}}/4$ ^{Note 2}

During slave communication: Max. $f_{\text{MCK}}/6$ ^{Note 2}

[Interrupt function]

- Transfer end interrupt/buffer empty interrupt

[Error detection flag]

- Overrun error

In addition, CSI00 supports the SNOOZE mode. When $\overline{\text{SCK}}$ input is detected while in the STOP mode, the SNOOZE mode makes data reception that does not require the CPU possible.

Notes 1. In master communication (CSI00), maximum transfer rate become $f_{\text{MCK}}/2$ when the following conditions.

- $2.7 \text{ V} \leq \text{EV}_{\text{DD}} = \text{V}_{\text{DD}} \leq 5.5 \text{ V}$
- $f_{\text{MCK}} \leq 12 \text{ MHz}$

Other cases, maximum transfer rate become $f_{\text{MCK}}/4$.

2. Use the clocks within a range satisfying the $\overline{\text{SCK}}$ cycle time (t_{CKCY}) characteristics (see **CHAPTER 30 ELECTRICAL SPECIFICATIONS (A, G: $T_{\text{A}} = -40$ to $+85^{\circ}\text{C}$)** and **CHAPTER 31 ELECTRICAL SPECIFICATIONS (G: $T_{\text{A}} = -40$ to $+105^{\circ}\text{C}$)**).

The channels supporting 3-wire serial I/O (CSI00, CSI01) are channels 0 and 1.

Channel	Used as CSI	Used as UART
0	CSI00	UART0 (supporting LIN-bus)
1	CSI01	

3-wire serial I/O (CSI00, CSI01) performs the following seven types of communication operations.

- Master transmission (See 12.5.1.)
- Master reception (See 12.5.2.)
- Master transmission/reception (See 12.5.3.)
- Slave transmission (See 12.5.4.)
- Slave reception (See 12.5.5.)
- Slave transmission/reception (See 12.5.6.)
- SNOOZE mode function (See 12.5.7.)

12.5.1 Master transmission

Master transmission is that the RL78/L12 outputs a transfer clock and transmits data to another device.

3-Wire Serial I/O	CSI00	CSI01
Target channel	Channel 0	Channel 1
Pins used	$\overline{SCK00}$, SO00	$\overline{SCK01}$, SO01
Interrupt	INTCSI00	INTCSI01
	Transfer end interrupt (in single-transfer mode) or buffer empty interrupt (in continuous transfer mode) can be selected.	
Error detection flag	None	
Transfer data length	7 or 8 bits	
Transfer rate	Max. $f_{MCK}/2$ [Hz] (CSI00), $f_{MCK}/4$ [Hz] (CSI01) Min. $f_{CLK}/(2 \times 2^{15} \times 128)$ [Hz] ^{Note} f_{CLK} : System clock frequency	
Data phase	Selectable by the DAPmn bit of the SCRmn register <ul style="list-style-type: none"> • DAPmn = 0: Data output starts from the start of the operation of the serial clock. • DAPmn = 1: Data output starts half a clock before the start of the serial clock operation. 	
Clock phase	Selectable by the CKPmn bit of the SCRmn register <ul style="list-style-type: none"> • CKPmn = 0: Non-reverse (data output at the falling edge and data input at the rising edge of \overline{SCK}) • CKPmn = 1: Reverse (data output at the rising edge and data input at the falling edge of \overline{SCK}) 	
Data direction	MSB or LSB first	

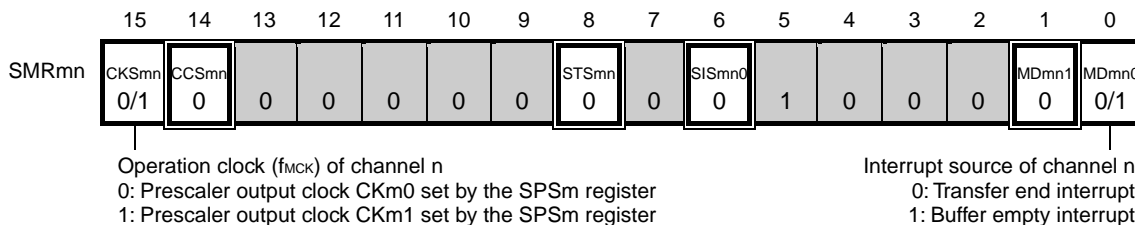
Note Use this operation within a range that satisfies the conditions above and the Peripheral functions characteristics in the electrical specifications (see **CHAPTER 30 ELECTRICAL SPECIFICATIONS (A, G: T_A = -40 to +85°C)** and **CHAPTER 31 ELECTRICAL SPECIFICATIONS (G: T_A = -40 to +105°C)**).

Remark m: Unit number (m = 0), n: Channel number (n = 0, 1), mn = 00, 01

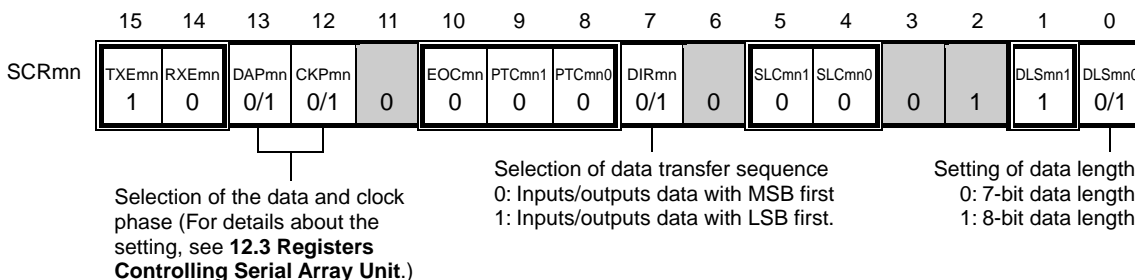
(1) Register setting

Figure 12-23. Example of Contents of Registers for Master Transmission of 3-Wire Serial I/O (CSI00, CSI01) (1/2)

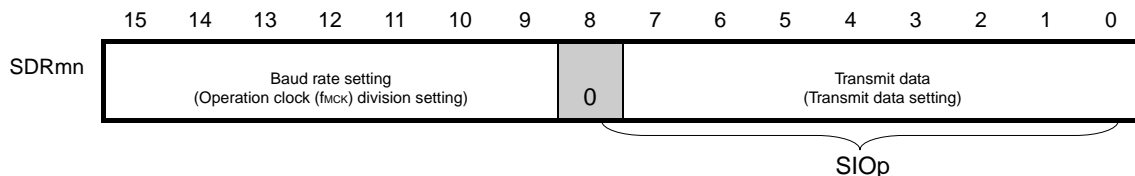
(a) Serial mode register mn (SMRmn)



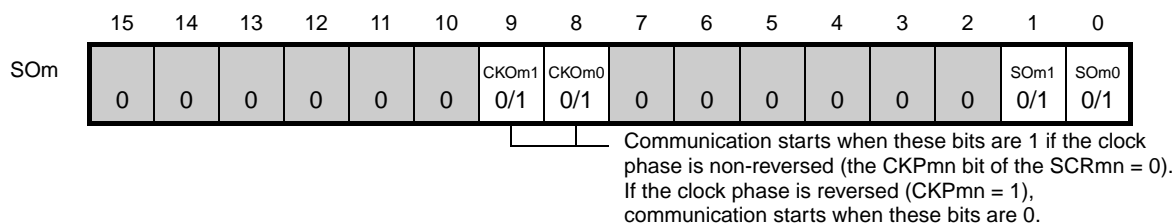
(b) Serial communication operation setting register mn (SCRmn)



(c) Serial data register mn (SDRmn) (lower 8 bits: SIOp)



(d) Serial output register m (SOM) ... Sets only the bits of the target channel.



- Remarks**
- m: Unit number (m = 0), n: Channel number (n = 0, 1), p: CSI number (p = 00, 01), mn = 00, 01
 - : Setting is fixed in the CSI master transmission mode, ■: Setting disabled (set to the initial value)
 0/1: Set to 0 or 1 depending on the usage of the user

Figure 12-23. Example of Contents of Registers for Master Transmission of 3-Wire Serial I/O (CSI00, CSI01) (2/2)

(e) Serial output enable register m (SOEm) ... Sets only the bits of the target channel to 1.

	15	14	13	12	11	10	9	8	7	6	5	4	3	2	1	0
SOEm	0	0	0	0	0	0	0	0	0	0	0	0	0	0	SOEm1 0/1	SOEm0 0/1

(f) Serial channel start register m (SSm) ... Sets only the bits of the target channel to 1.

	15	14	13	12	11	10	9	8	7	6	5	4	3	2	1	0
SSm	0	0	0	0	0	0	0	0	0	0	0	0	0	0	SSm1 0/1	SSm0 0/1

Remarks 1. m: Unit number (m = 0), n: Channel number (n = 0, 1), p: CSI number (p = 00, 01), mn = 00, 01

2. : Setting disabled (set to the initial value)

×: Bit that cannot be used in this mode (set to the initial value when not used in any mode)

0/1: Set to 0 or 1 depending on the usage of the user

(2) Operation procedure

Figure 12-24. Initial Setting Procedure for Master Transmission

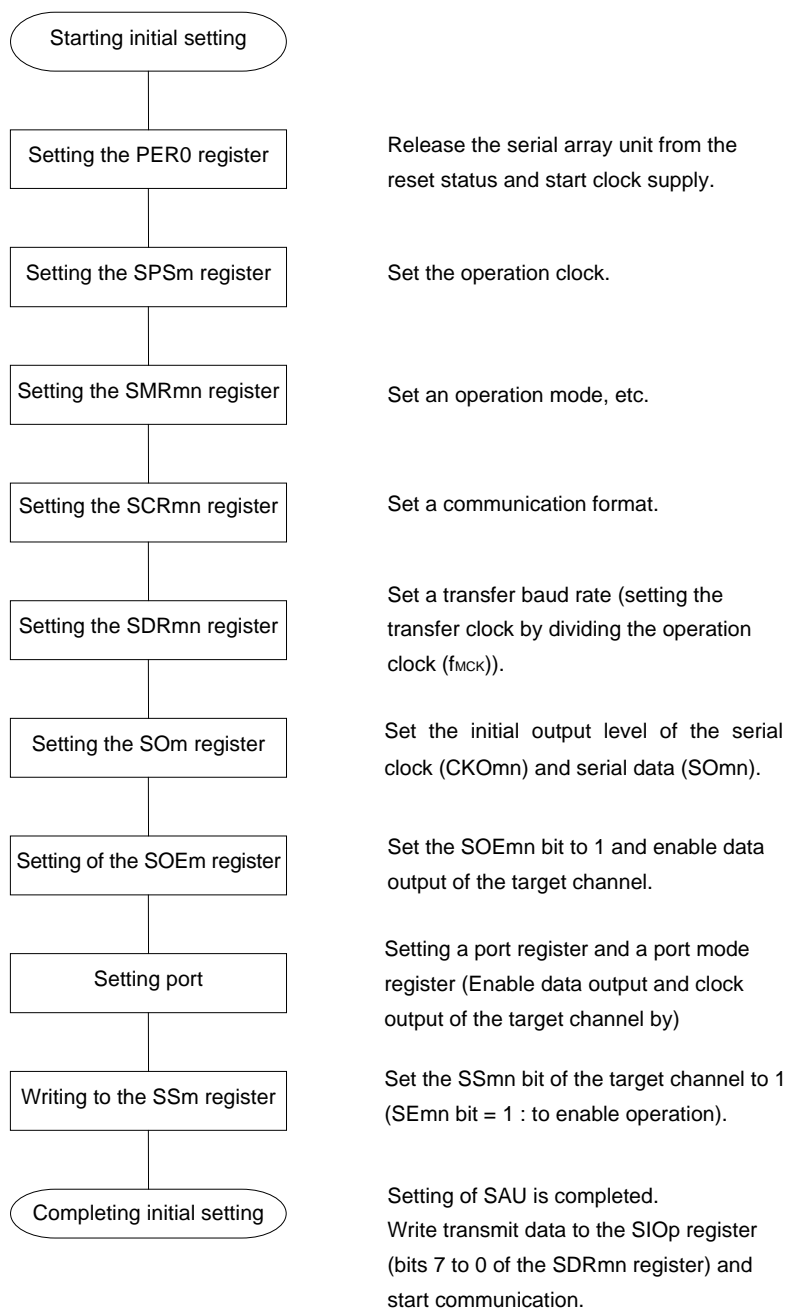
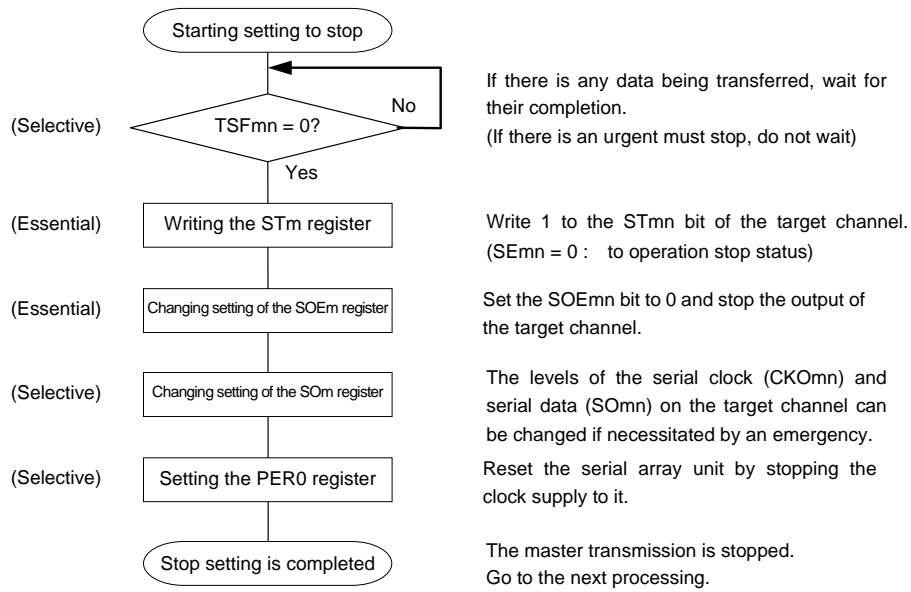
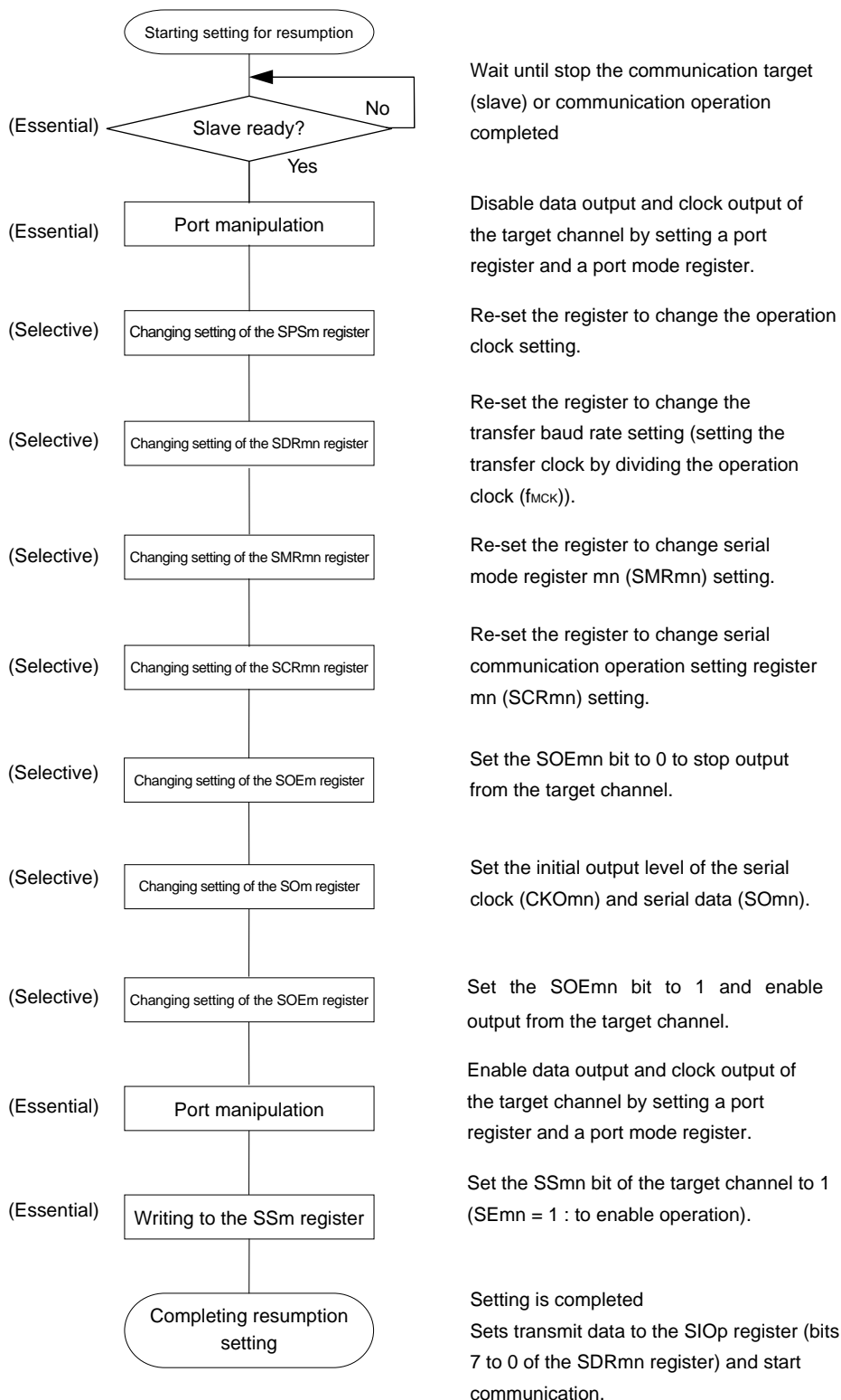


Figure 12-25. Procedure for Stopping Master Transmission



<R>

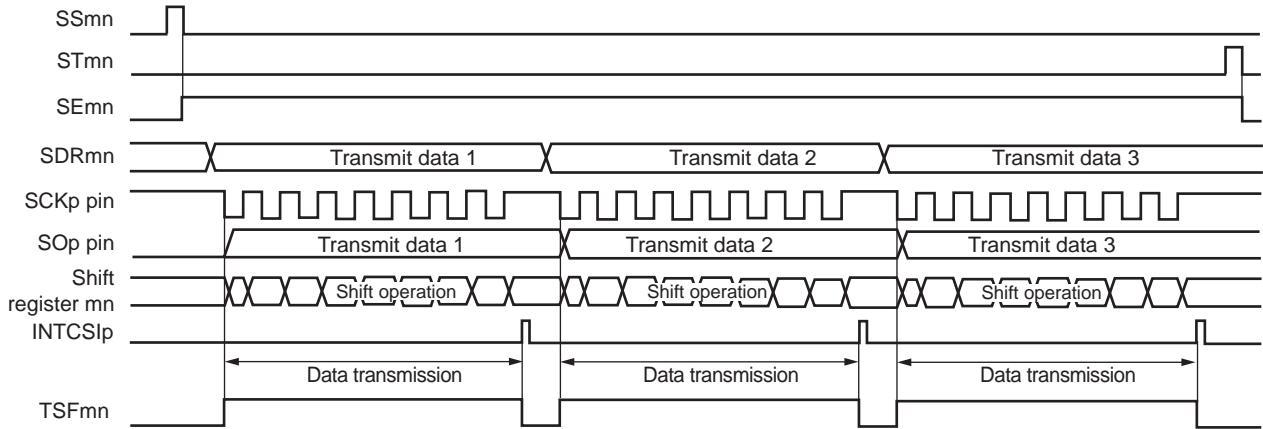
Figure 12-26. Procedure for Resuming Master Transmission



Remark If PER0 is rewritten while stopping the master transmission and the clock supply is stopped, wait until the transmission target (slave) stops or transmission finishes, and then perform initialization instead of restarting the transmission.

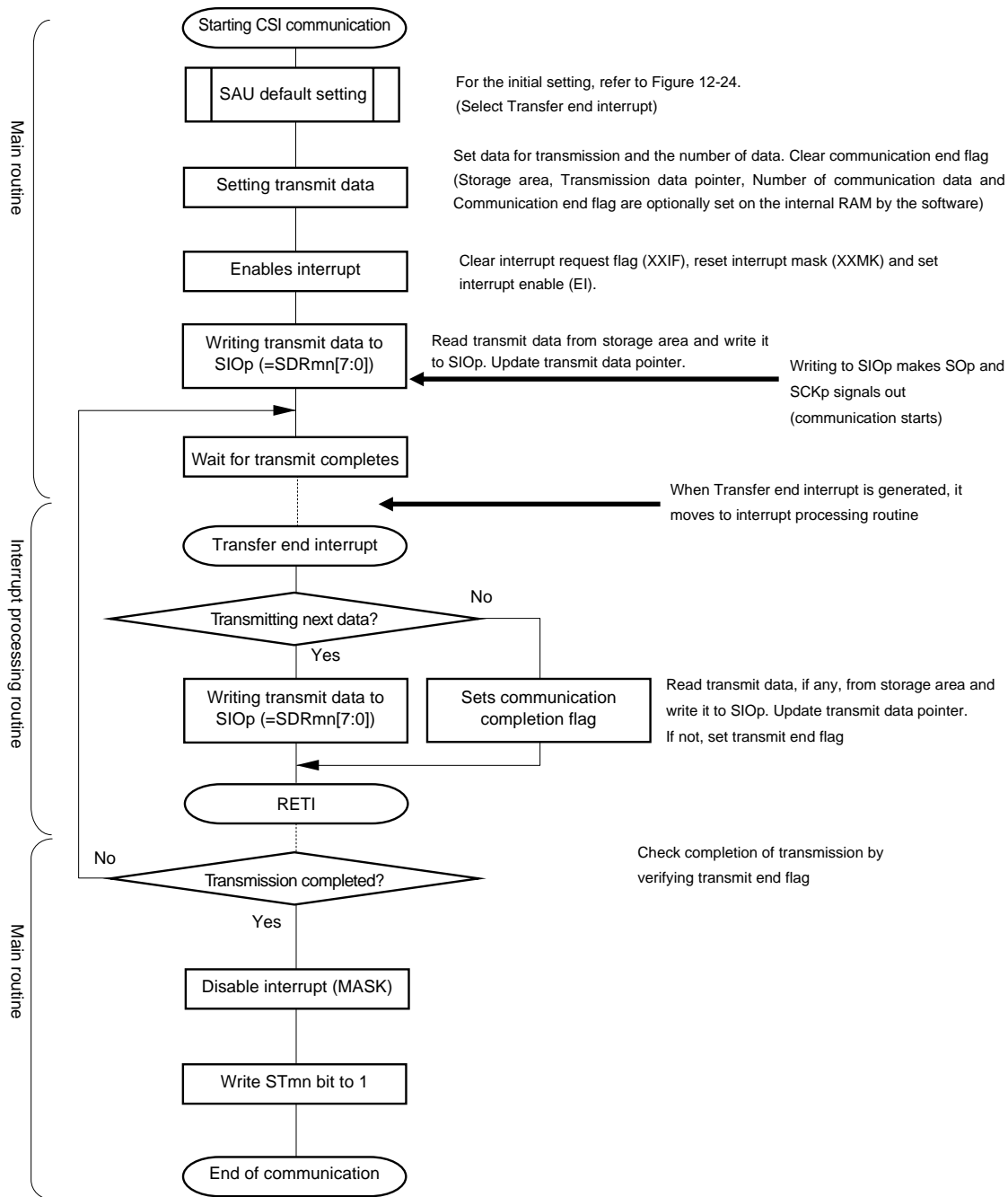
(3) Processing flow (in single-transmission mode)

Figure 12-27. Timing Chart of Master Transmission (in Single-Transmission Mode)
 (Type 1: DAPmn = 0, CKPmn = 0)



Remark m: Unit number (m = 0), n: Channel number (n = 0, 1), p: CSI number (p = 00, 01), mn = 00, 01

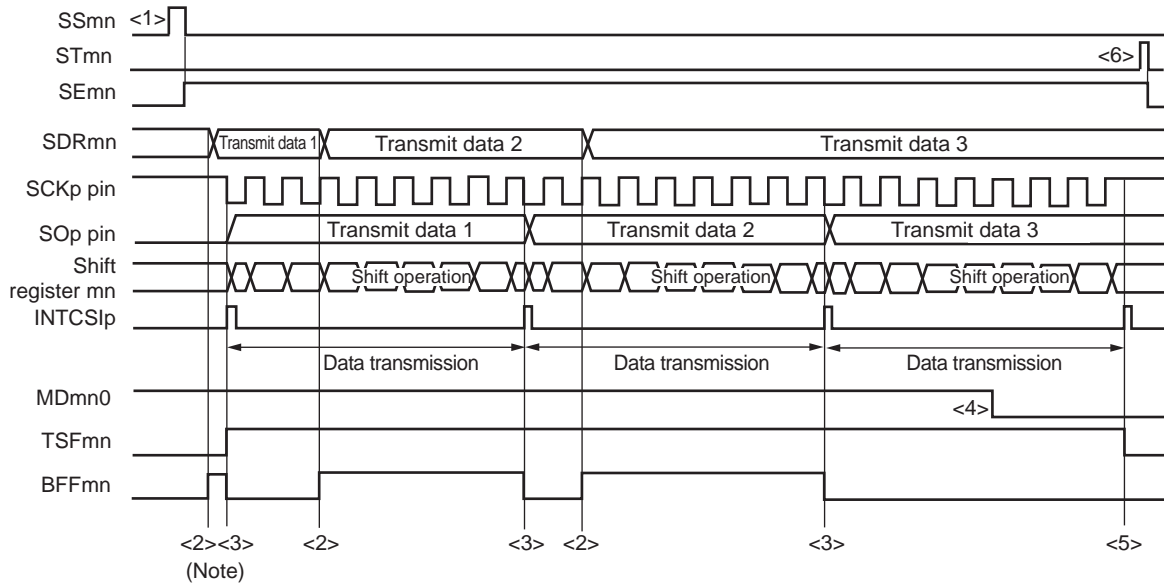
Figure 12-28. Flowchart of Master Transmission (in Single-Transmission Mode)



<R>

(4) Processing flow (in continuous transmission mode)

Figure 12-29. Timing Chart of Master Transmission (in Continuous Transmission Mode)
(Type 1: DAPmn = 0, CKPmn = 0)

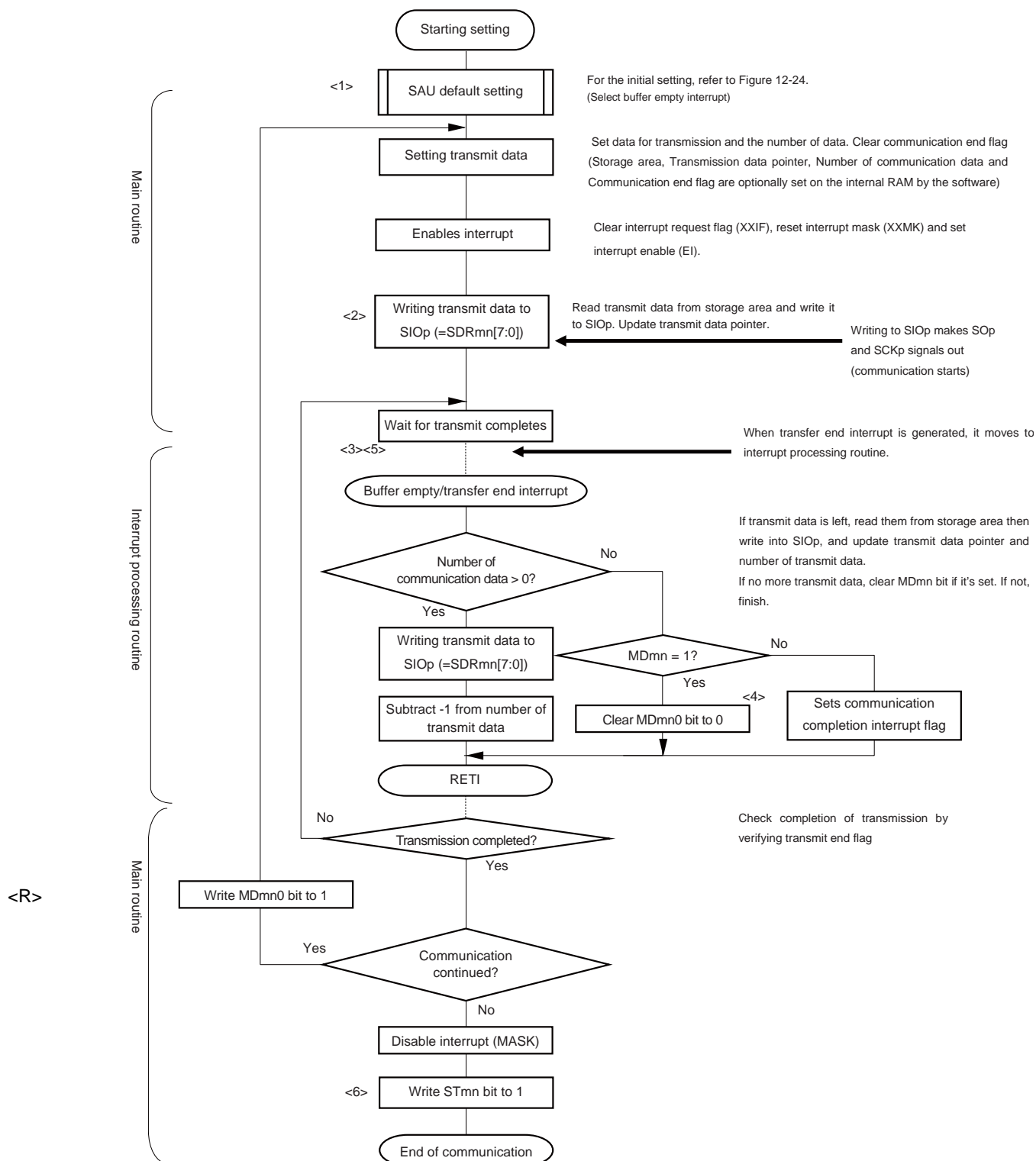


Note If transmit data is written to the SDRmn register while the BFFmn bit of serial status register mn (SSRmn) is 1 (valid data is stored in serial data register mn (SDRmn)), the transmit data is overwritten.

Caution The MDmn0 bit of serial mode register mn (SMRmn) can be rewritten even during operation. However, rewrite it before transfer of the last bit is started, so that it will be rewritten before the transfer end interrupt of the last transmit data.

Remark m: Unit number (m = 0), n: Channel number (n = 0, 1), p: CSI number (p = 00, 01), mn = 00, 01

Figure 12-30. Flowchart of Master Transmission (in Continuous Transmission Mode)



Remark <1> to <6> in the figure correspond to <1> to <6> in **Figure 12-29 Timing Chart of Master Transmission (in Continuous Transmission Mode)**.

12.5.2 Master reception

Master reception is that the RL78 microcontroller outputs a transfer clock and receives data from other device.

3-Wire Serial I/O	CSI00	CSI01
Target channel	Channel 0	Channel 1
Pins used	$\overline{\text{SCK00}}$, SI00	$\overline{\text{SCK01}}$, SI01
Interrupt	INTCSI00	INTCSI01
	Transfer end interrupt (in single-transfer mode) or buffer empty interrupt (in continuous transfer mode) can be selected.	
Error detection flag	Overrun error detection flag (OVFmn) only	
Transfer data length	7 or 8 bits	
Transfer rate	Max. $f_{\text{MCK}}/2$ [Hz] (CSI00), $f_{\text{MCK}}/4$ [Hz] (CSI01) Min. $f_{\text{CLK}}/(2 \times 2^{15} \times 128)$ [Hz] ^{Note} f_{CLK} : System clock frequency	
Data phase	Selectable by the DAPmn bit of the SCRmn register <ul style="list-style-type: none"> • DAPmn = 0: Data input starts from the start of the operation of the serial clock. • DAPmn = 1: Data input starts half a clock before the start of the serial clock operation. 	
Clock phase	Selectable by the CKPmn bit of the SCRmn register <ul style="list-style-type: none"> • CKPmn = 0: Non-reverse • CKPmn = 1: Reverse 	
Data direction	MSB or LSB first	

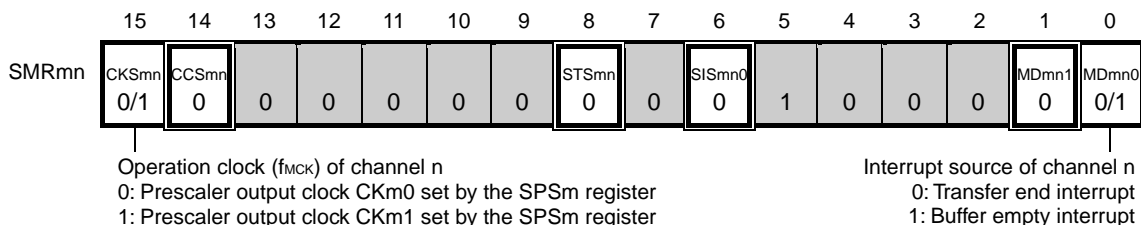
Note Use this operation within a range that satisfies the conditions above and the peripheral functions characteristics in the electrical specifications (see **CHAPTER 30 ELECTRICAL SPECIFICATIONS (A, G: T_A = -40 to +85°C)** and **CHAPTER 31 ELECTRICAL SPECIFICATIONS (G: T_A = -40 to +105°C)**).

Remark m: Unit number (m = 0), n: Channel number (n = 0, 1), mn = 00, 01

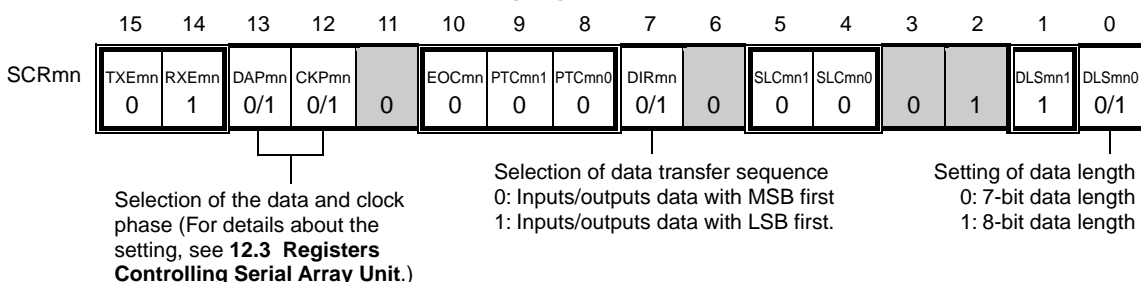
(1) Register setting

Figure 12-31. Example of Contents of Registers for Master Reception of 3-Wire Serial I/O (CSI00, CSI01) (1/2)

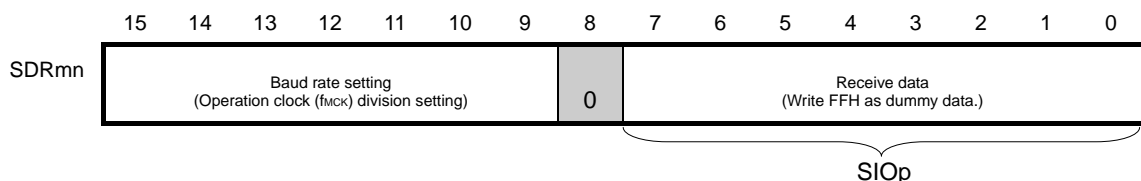
(a) Serial mode register mn (SMRmn)



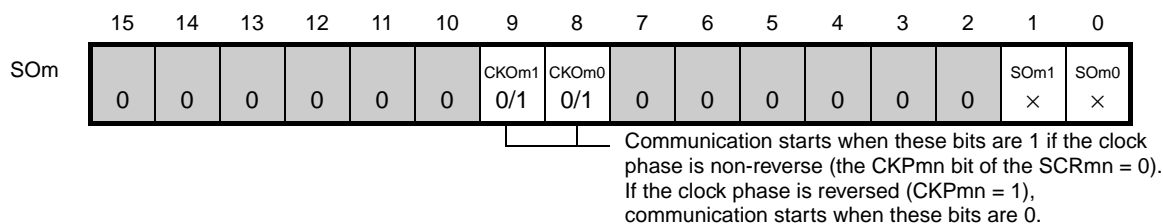
(b) Serial communication operation setting register mn (SCRmn)



(c) Serial data register mn (SDRmn) (lower 8 bits: SIOp)



(d) Serial output register m (SOM) ... Sets only the bits of the target channel.



- Remarks**
1. m: Unit number (m = 0), n: Channel number (n = 0, 1), p: CSI number (p = 00, 01), mn = 00, 01
 2. : Setting is fixed in the CSI master reception mode, : Setting disabled (set to the initial value)
 ×: Bit that cannot be used in this mode (set to the initial value when not used in any mode)
 0/1: Set to 0 or 1 depending on the usage of the user

Figure 12-31. Example of Contents of Registers for Master Reception of 3-Wire Serial I/O (CSI00, CSI01) (2/2)

(e) Serial output enable register m (SOEm) ...The register that not used in this mode.

	15	14	13	12	11	10	9	8	7	6	5	4	3	2	1	0		
SOEm	0	0	0	0	0	0	0	0	0	0	0	0	0	0	0	0	SOEm1	SOEm0
																	×	×

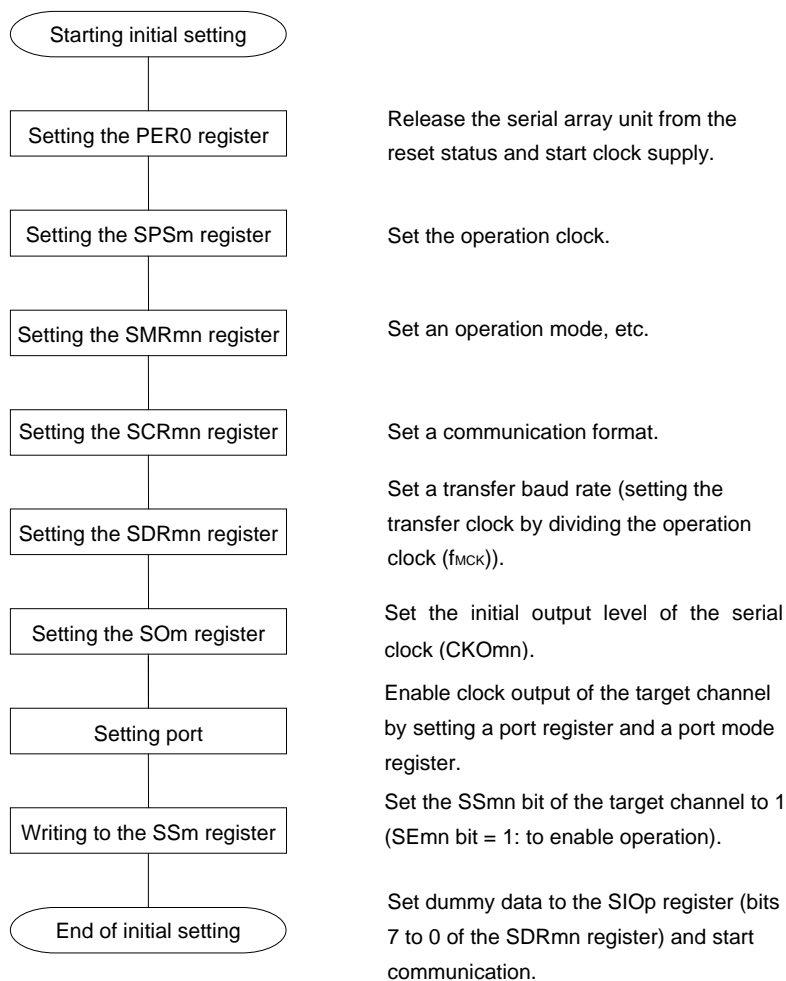
(f) Serial channel start register m (SSm) ... Sets only the bits of the target channel to 1.

	15	14	13	12	11	10	9	8	7	6	5	4	3	2	1	0		
SSm	0	0	0	0	0	0	0	0	0	0	0	0	0	0	0	0	SSm1	SSm0
																	0/1	0/1

- Remarks**
- m: Unit number (m = 0), n: Channel number (n = 0, 1), p: CSI number (p = 00, 01)
 - : Setting disabled (set to the initial value)
 - ×: Bit that cannot be used in this mode (set to the initial value when not used in any mode)
 - 0/1: Set to 0 or 1 depending on the usage of the user

(2) Operation procedure

Figure 12-32. Initial Setting Procedure for Master Reception



<R>

Figure 12-33. Procedure for Stopping Master Reception

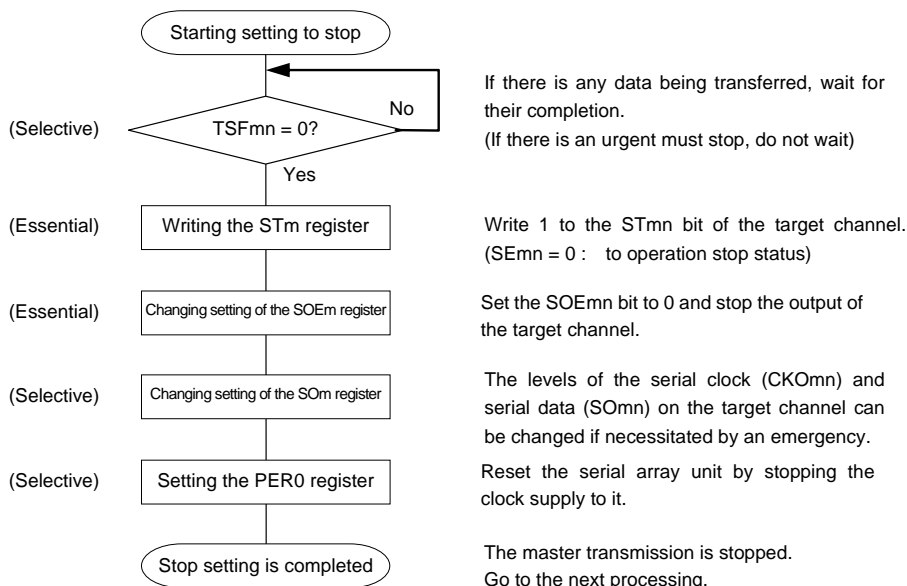
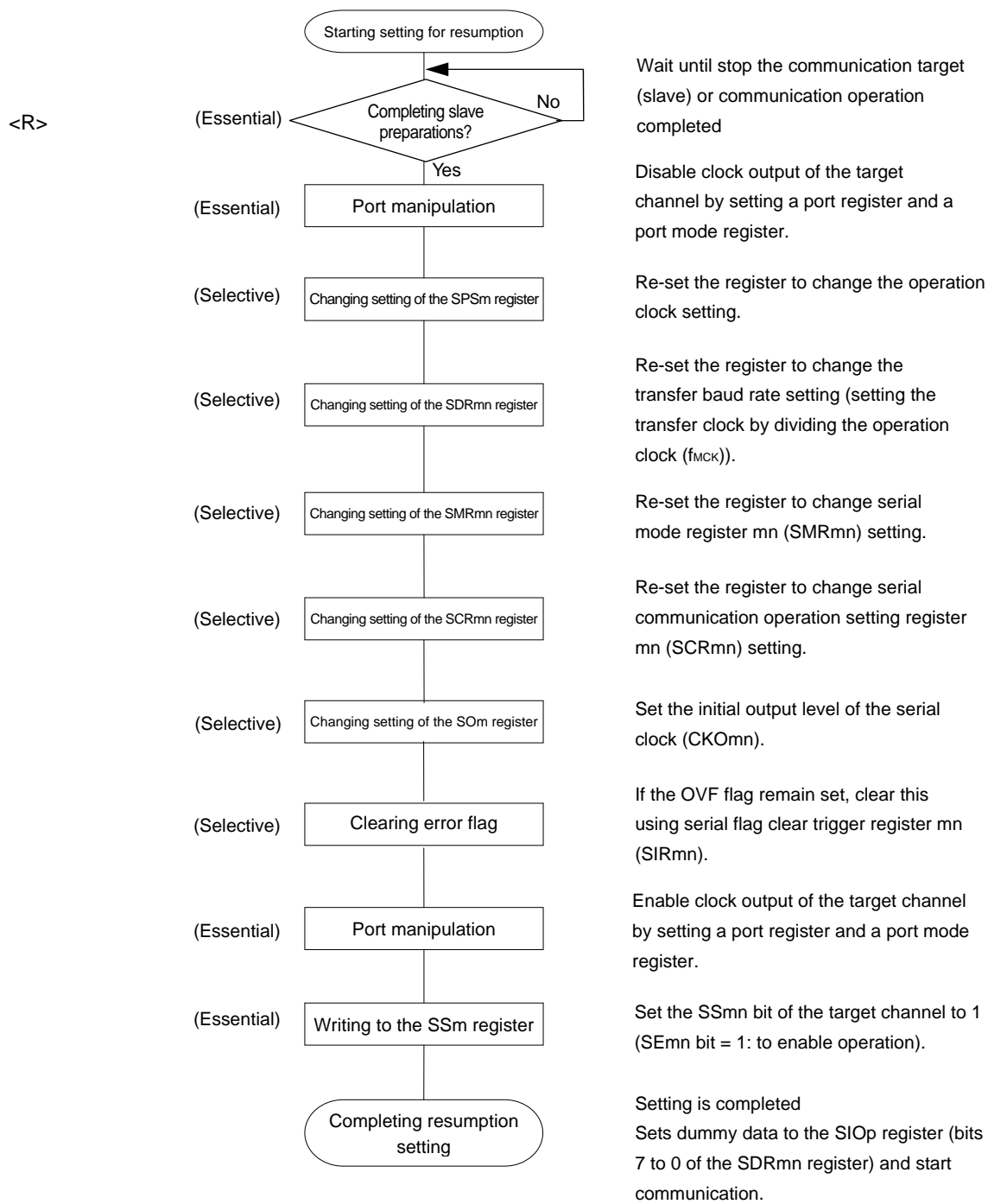


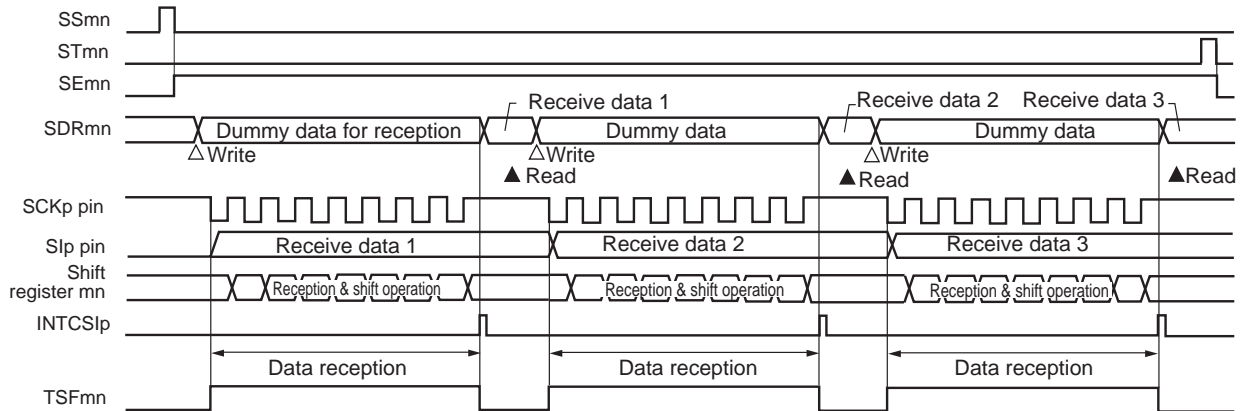
Figure 12-34. Procedure for Resuming Master Reception



Remark If PER0 is rewritten while stopping the master transmission and the clock supply is stopped, wait until the transmission target (slave) stops or transmission finishes, and then perform initialization instead of restarting the transmission.

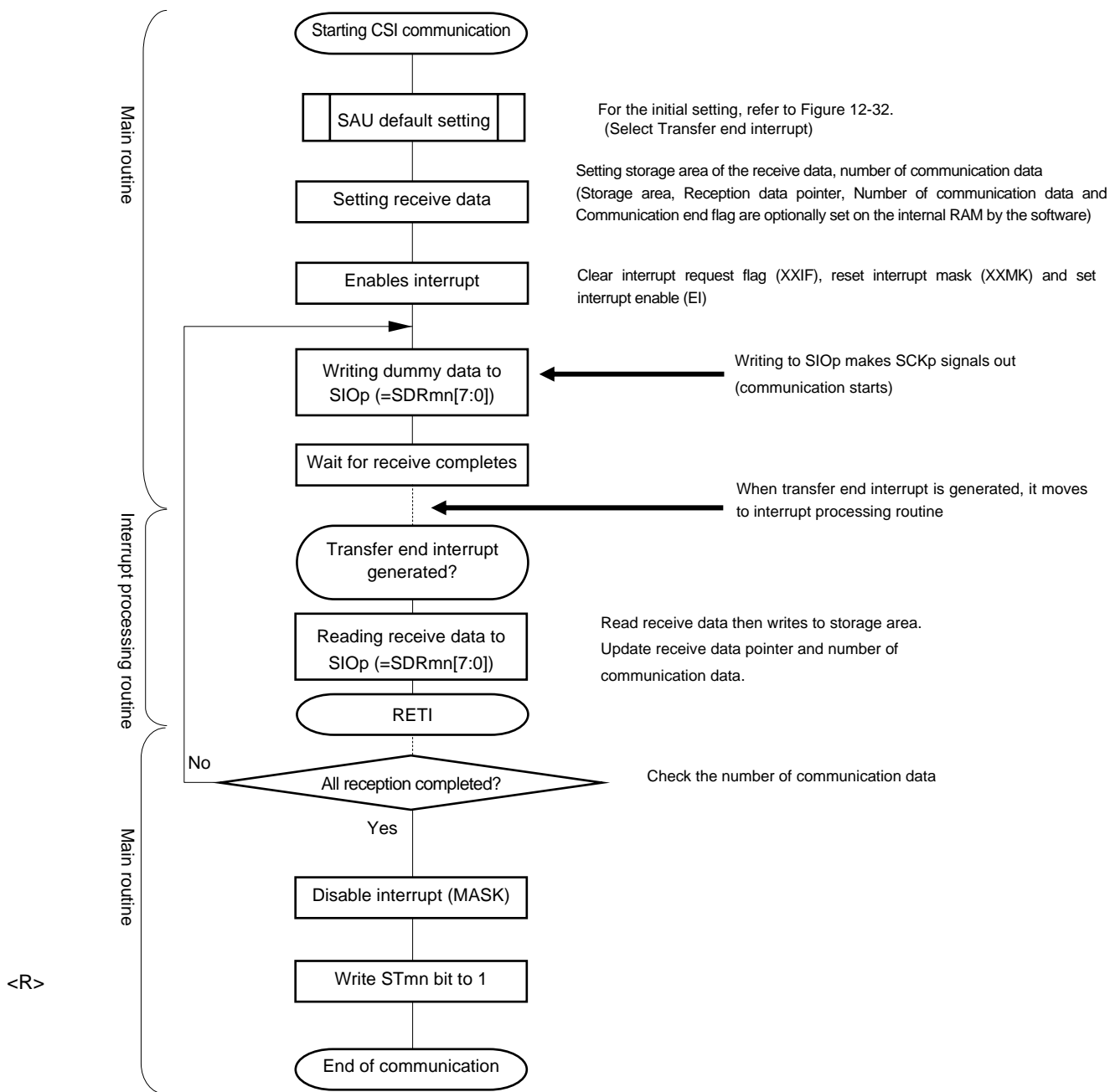
(3) Processing flow (in single-reception mode)

Figure 12-35. Timing Chart of Master Reception (in Single-Reception Mode)
(Type 1: DAPmn = 0, CKPmn = 0)



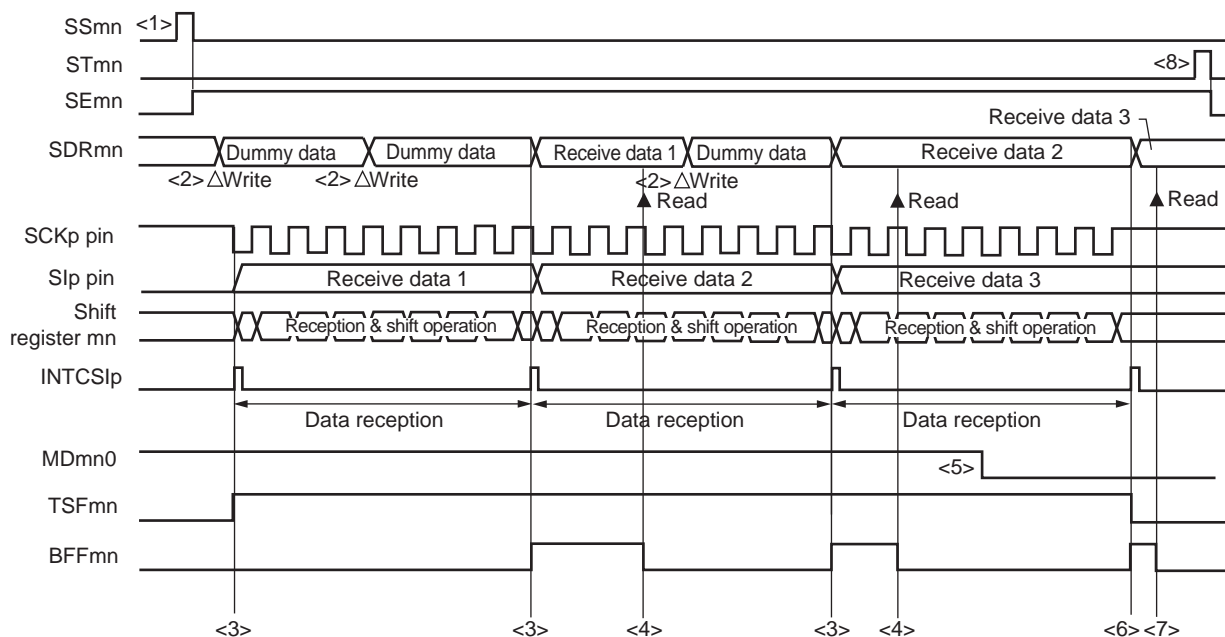
Remark m: Unit number (m = 0), n: Channel number (n = 0, 1), p: CSI number (p = 00, 01), mn = 00, 01

Figure 12-36. Flowchart of Master Reception (in Single-Reception Mode)



(4) Processing flow (in continuous reception mode)

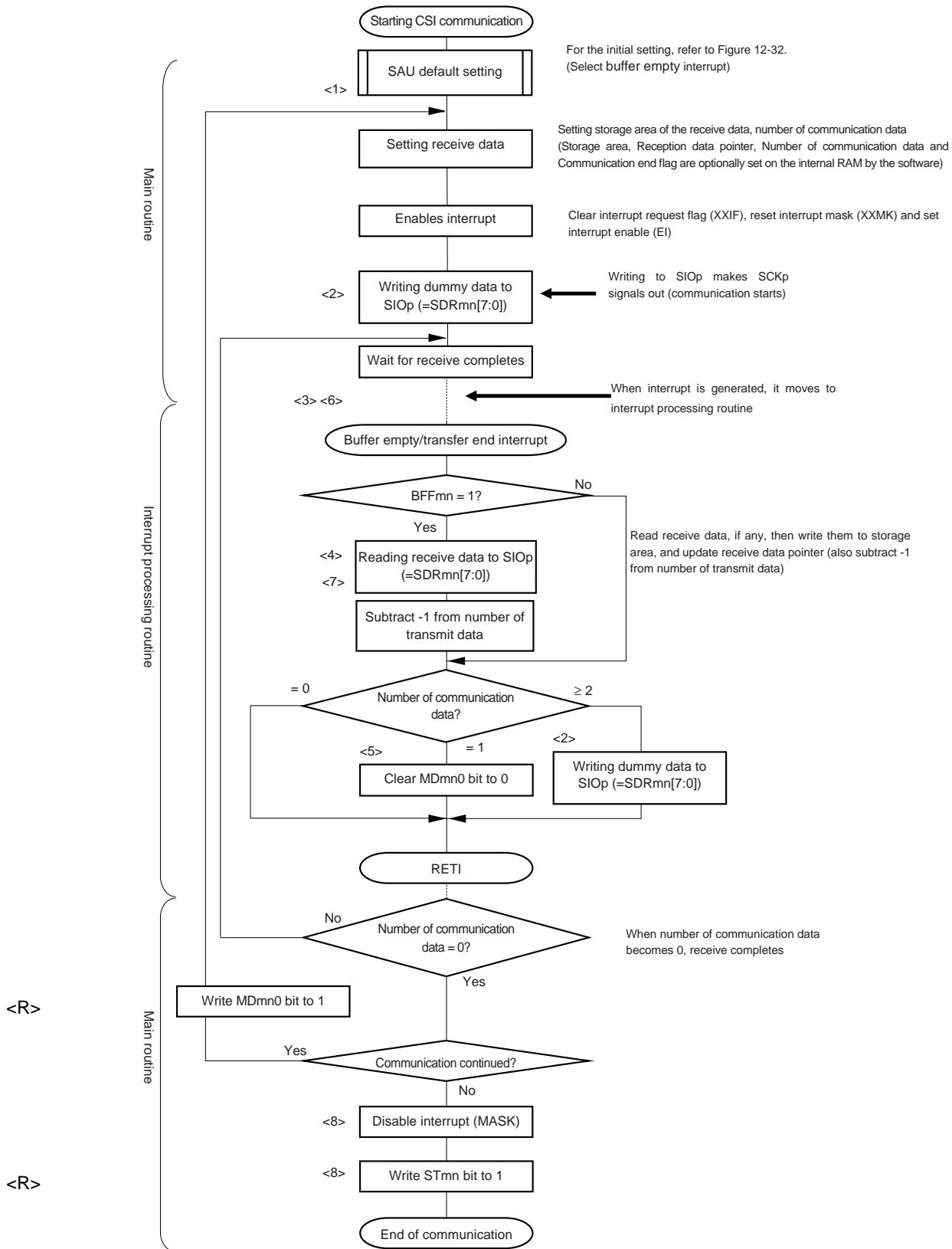
Figure 12-37. Timing Chart of Master Reception (in Continuous Reception Mode) (Type 1: DAPmn = 0, CKPmn = 0)



Caution The MDmn0 bit can be rewritten even during operation. However, rewrite it before receive of the last bit is started, so that it has been rewritten before the transfer end interrupt of the last receive data.

- Remarks**
1. <1> to <8> in the figure correspond to <1> to <8> in Figure 12-38 Flowchart of Master Reception (in Continuous Reception Mode).
 2. m: Unit number (m = 0), n: Channel number (n = 0, 1), p: CSI number (p = 00, 01), mn = 00, 01

Figure 12-38. Flowchart of Master Reception (in Continuous Reception Mode)



Remark <1> to <8> in the figure correspond to <1> to <8> in Figure 12-37 Timing Chart of Master Reception (in Continuous Reception Mode).

12.5.3 Master transmission/reception

Master transmission/reception is that the RL78/L12 outputs a transfer clock and transmits/receives data to/from other device.

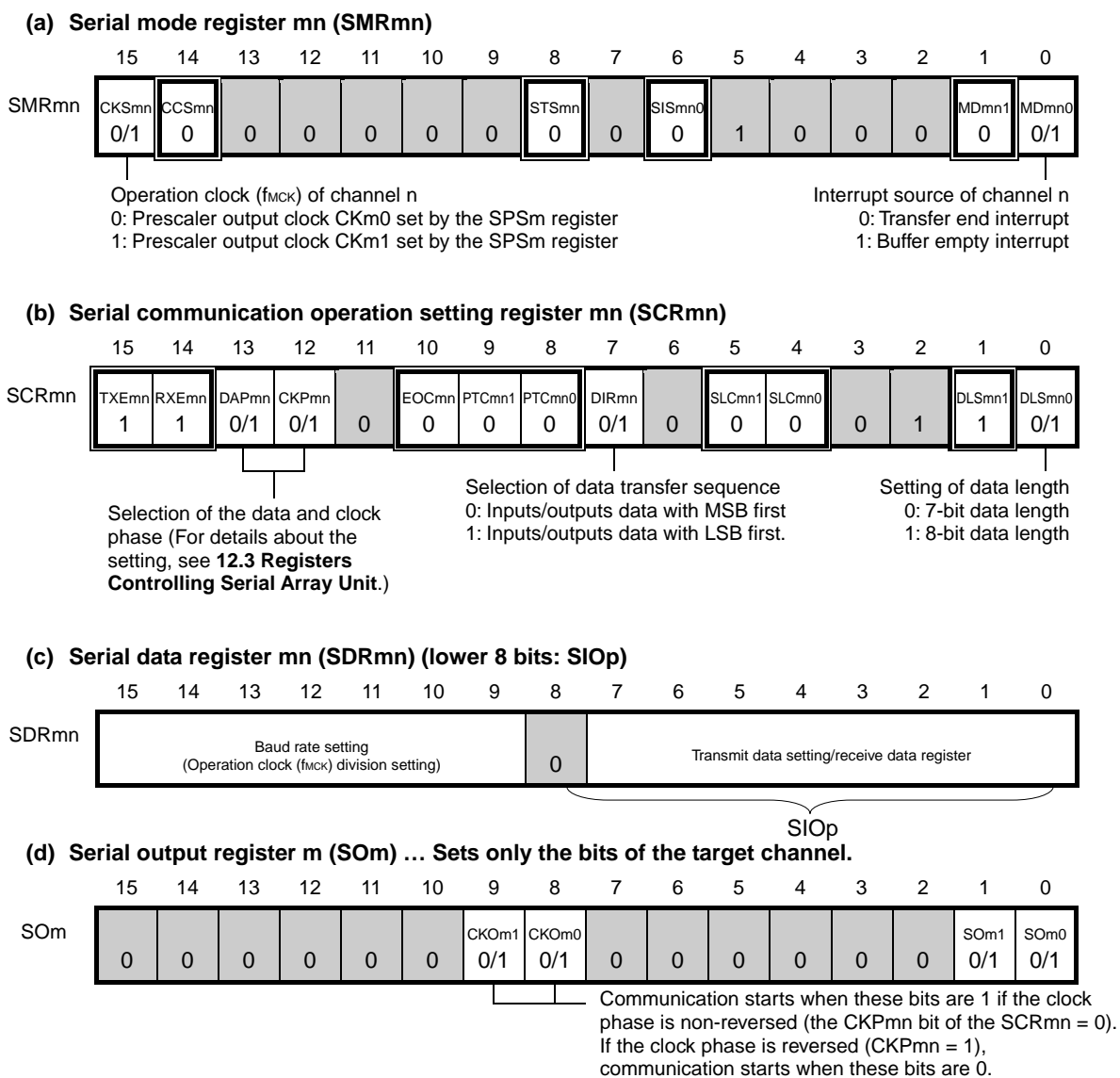
3-Wire Serial I/O	CSI00	CSI01
Target channel	Channel 0	Channel 1
Pins used	SCK00, SI00, SO00	SCK01, SI01, SO01
Interrupt	INTCSI00	INTCSI01
	Transfer end interrupt (in single-transfer mode) or buffer empty interrupt (in continuous transfer mode) can be selected.	
Error detection flag	Overrun error detection flag (OVFmn) only	
Transfer data length	7 or 8 bits	
Transfer rate	Max. $f_{MCK}/2$ [Hz] (CSI00), $f_{MCK}/4$ [Hz] (CSI01) Min. $f_{CLK}/(2 \times 2^{15} \times 128)$ [Hz] ^{Note} f_{CLK} : System clock frequency	
Data phase	Selectable by the DAPmn bit of the SCRmn register <ul style="list-style-type: none"> • DAPmn = 0: Data I/O starts at the start of the operation of the serial clock. • DAPmn = 1: Data I/O starts half a clock before the start of the serial clock operation. 	
Clock phase	Selectable by the CKPmn bit of the SCRmn register <ul style="list-style-type: none"> • CKPmn = 0: Non-reverse • CKPmn = 1: Reverse 	
Data direction	MSB or LSB first	

Note Use this operation within a range that satisfies the conditions above and the peripheral functions characteristics in the electrical specifications (see **CHAPTER 30 ELECTRICAL SPECIFICATIONS (A, G: T_A = -40 to +85°C)** and **CHAPTER 31 ELECTRICAL SPECIFICATIONS (G: T_A = -40 to +105°C)**).

Remark m: Unit number (m = 0), n: Channel number (n = 0, 1), mn = 00, 01

(1) Register setting

Figure 12-39. Example of Contents of Registers for Master Transmission/Reception of 3-Wire Serial I/O (CSI00, CSI01) (1/2)



- Remarks**
- m: Unit number (m = 0), n: Channel number (n = 0, 1), p: CSI number (p = 00, 01), mn = 00, 01
 - : Setting is fixed in the CSI master transmission/reception mode
 ■: Setting disabled (set to the initial value)
 ×: Bit that cannot be used in this mode (set to the initial value when not used in any mode)
 0/1: Set to 0 or 1 depending on the usage of the user

Figure 12-39. Example of Contents of Registers for Master Transmission/Reception of 3-Wire Serial I/O (CSI00, CSI01) (2/2)

(e) Serial output enable register m (SOEm) ... Sets only the bits of the target channel to 1.

	15	14	13	12	11	10	9	8	7	6	5	4	3	2	1	0
SOEm	0	0	0	0	0	0	0	0	0	0	0	0	0	0	SOEm1 0/1	SOEm0 0/1

(f) Serial channel start register m (SSm) ... Sets only the bits of the target channel to 1.

	15	14	13	12	11	10	9	8	7	6	5	4	3	2	1	0
SSm	0	0	0	0	0	0	0	0	0	0	0	0	0	0	SSm1 0/1	SSm0 0/1

- Remarks**
1. m: Unit number (m = 0), n: Channel number (n = 0, 1), p: CSI number (p = 00, 01), mn = 00, 01
 2. : Setting disabled (set to the initial value)
 ×: Bit that cannot be used in this mode (set to the initial value when not used in any mode)
 0/1: Set to 0 or 1 depending on the usage of the user

(2) Operation procedure

Figure 12-40. Initial Setting Procedure for Master Transmission/Reception

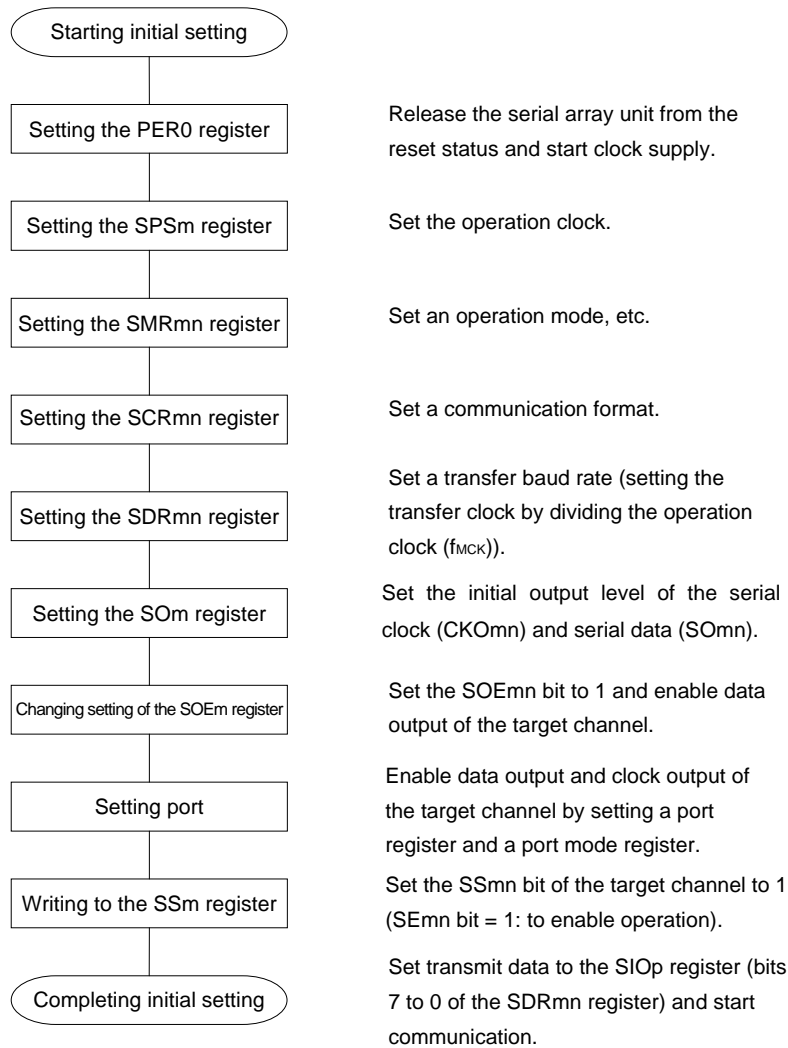


Figure 12-41. Procedure for Stopping Master Transmission/Reception

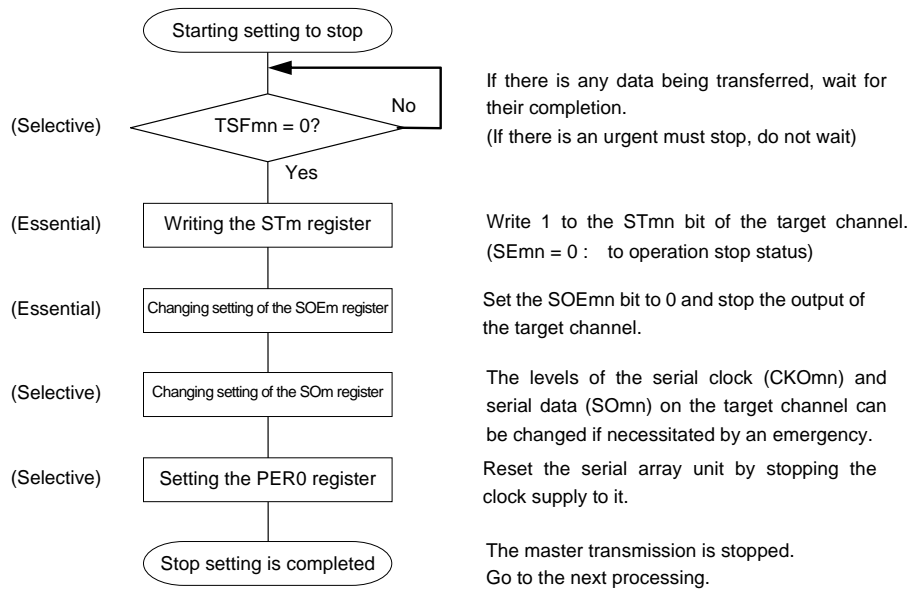
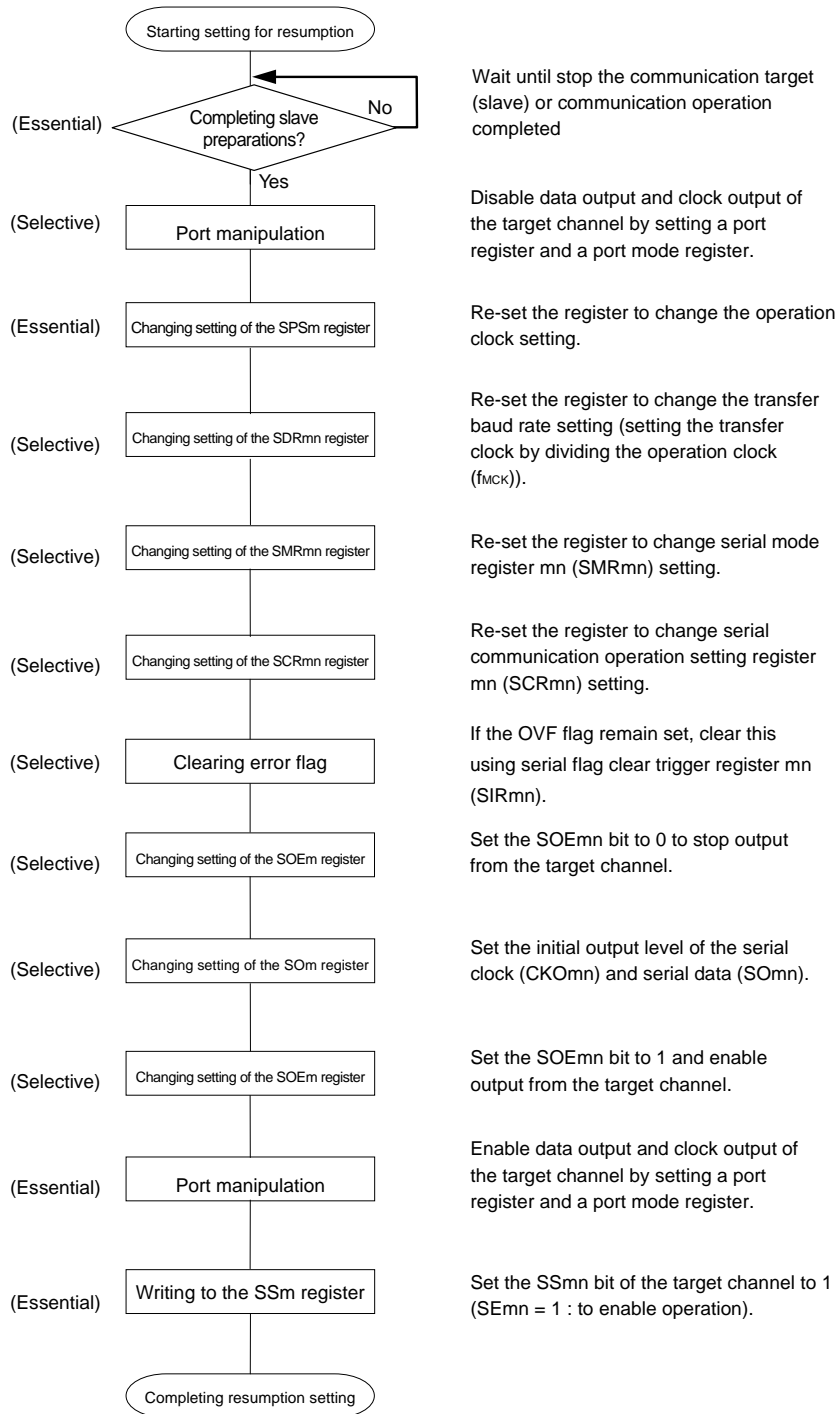
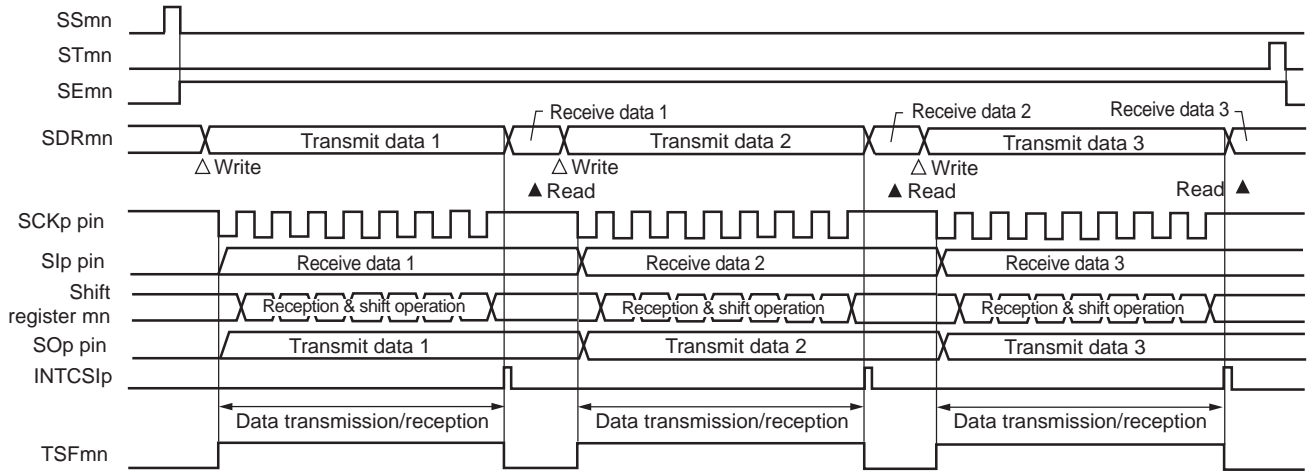


Figure 12-42. Procedure for Resuming Master Transmission/Reception



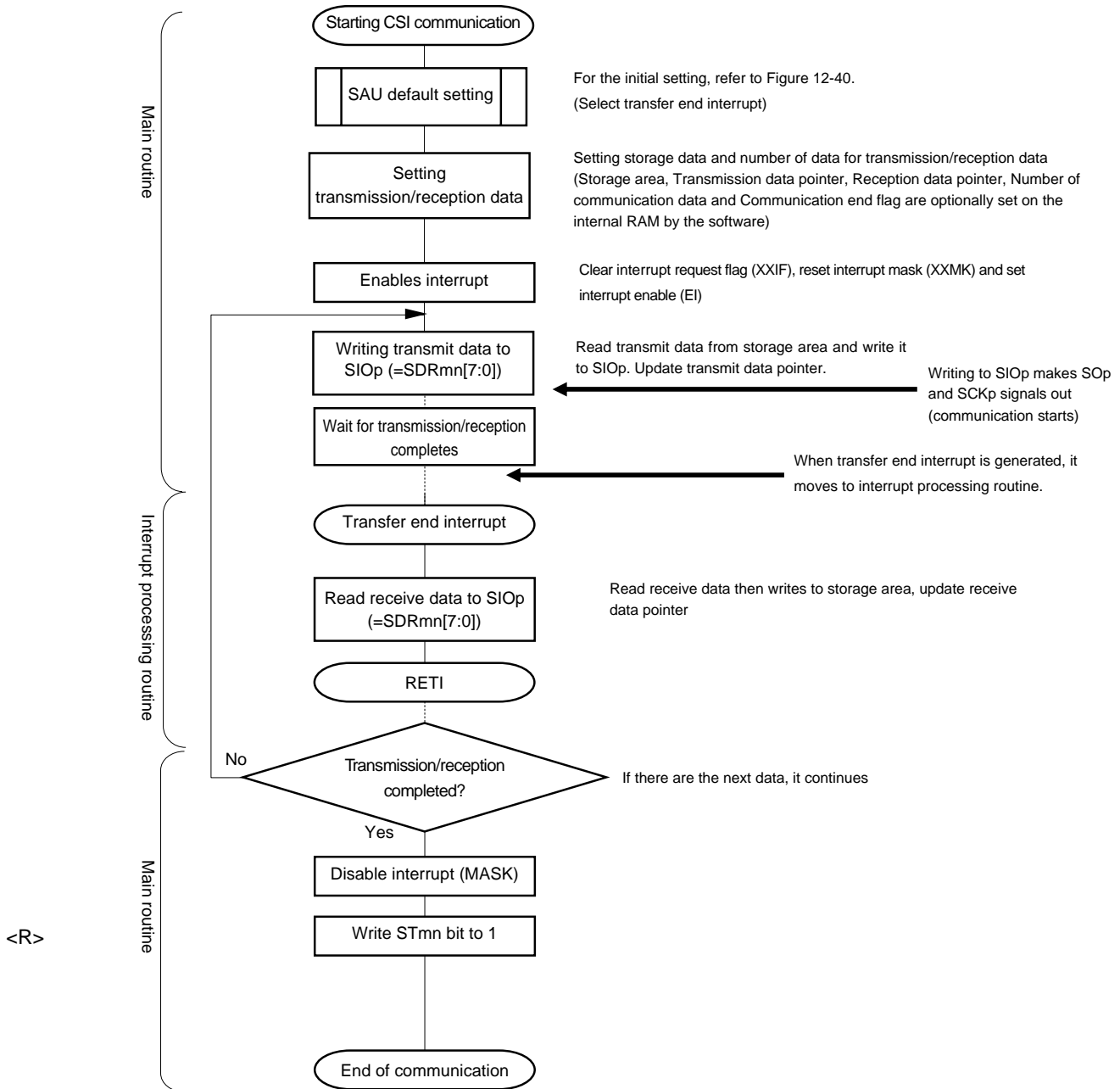
(3) Processing flow (in single-transmission/reception mode)

Figure 12-43. Timing Chart of Master Transmission/Reception (in Single-Transmission/Reception Mode)
 (Type 1: DAPmn = 0, CKPmn = 0)



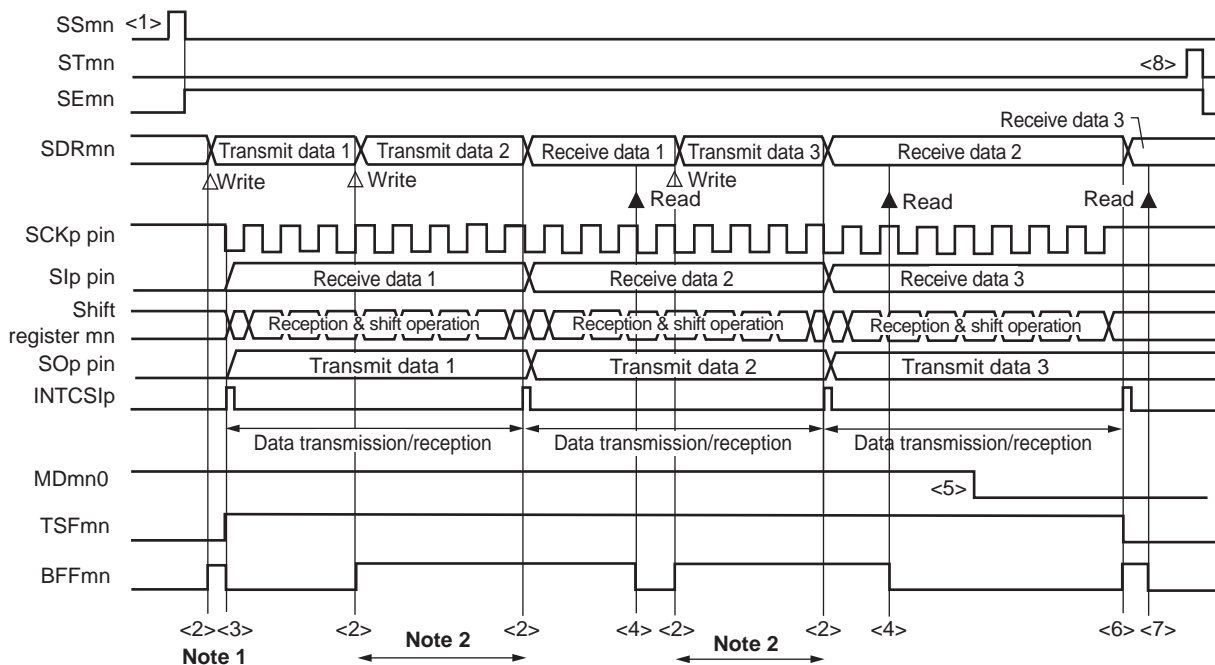
Remark m: Unit number (m = 0), n: Channel number (n = 0, 1), p: CSI number (p = 00, 01), mn = 00, 01

Figure 12-44. Flowchart of Master Transmission/Reception (in Single- Transmission/Reception Mode)



(4) Processing flow (in continuous transmission/reception mode)

Figure 12-45. Timing Chart of Master Transmission/Reception (in Continuous Transmission/Reception Mode)
(Type 1: DAPmn = 0, CKPmn = 0)

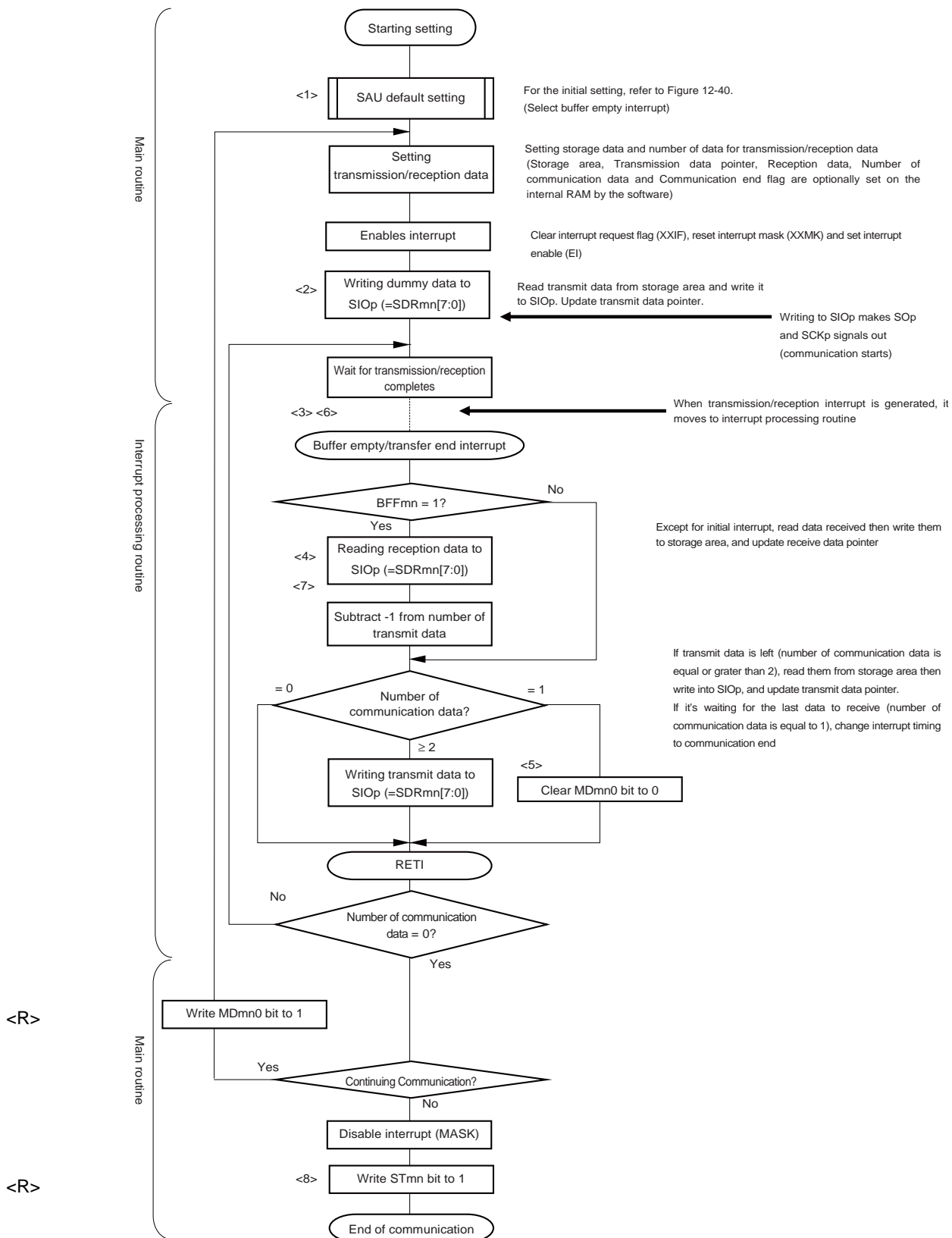


- Notes**
1. If transmit data is written to the SDRmn register while the BFFmn bit of serial status register mn (SSRmn) is 1 (valid data is stored in serial data register mn (SDRmn)), the transmit data is overwritten.
 2. The transmit data can be read by reading the SDRmn register during this period. At this time, the transfer operation is not affected.

Caution The MDmn0 bit of serial mode register mn (SMRmn) can be rewritten even during operation. However, rewrite it before transfer of the last bit is started, so that it has been rewritten before the transfer end interrupt of the last transmit data.

- Remarks**
1. <1> to <8> in the figure correspond to <1> to <8> in **Figure 12-46 Flowchart of Master Transmission/Reception (in Continuous Transmission/Reception Mode)**.
 2. m: Unit number (m = 0), n: Channel number (n = 0, 1), p: CSI number (p = 00, 01), mn = 00, 01

Figure 12-46. Flowchart of Master Transmission/Reception (in Continuous Transmission/Reception Mode)



Remark <1> to <8> in the figure correspond to <1> to <8> in **Figure 12-45 Timing Chart of Master Transmission/Reception (in Continuous Transmission/Reception Mode)**.

12.5.4 Slave transmission

Slave transmission is that the RL78 microcontroller transmits data to another device in the state of a transfer clock being input from another device.

3-Wire Serial I/O	CSI00	CSI01
Target channel	Channel 0	Channel 1
Pins used	$\overline{\text{SCK00}}$, SO00	$\overline{\text{SCK01}}$, SO01
Interrupt	INTCSI00	INTCSI01
	Transfer end interrupt (in single-transfer mode) or buffer empty interrupt (in continuous transfer mode) can be selected.	
Error detection flag	Overrun error detection flag (OVFmn) only	
Transfer data length	7 or 8 bits	
Transfer rate	Max. $f_{\text{MCK}}/6$ [Hz] ^{Notes 1, 2} .	
Data phase	Selectable by the DAPmn bit of the SCRmn register <ul style="list-style-type: none"> • DAPmn = 0: Data output starts from the start of the operation of the serial clock. • DAPmn = 1: Data output starts half a clock before the start of the serial clock operation. 	
Clock phase	Selectable by the CKPmn bit of the SCRmn register <ul style="list-style-type: none"> • CKPmn = 0: Non-reverse • CKPmn = 1: Reverse 	
Data direction	MSB or LSB first	

<R> **Notes 1.** Because the external serial clock input to the $\overline{\text{SCK00}}$, and $\overline{\text{SCK01}}$ pins is sampled internally and used, the fastest transfer rate is $f_{\text{MCK}}/6$ [Hz].

2. Use this operation within a range that satisfies the conditions above and the peripheral functions characteristics in the electrical specifications (see **CHAPTER 30 ELECTRICAL SPECIFICATIONS (A, G: T_A = -40 to +85°C)** and **CHAPTER 31 ELECTRICAL SPECIFICATIONS (G: T_A = -40 to +105°C)**).

Remarks 1. f_{MCK} : Operation clock frequency of target channel

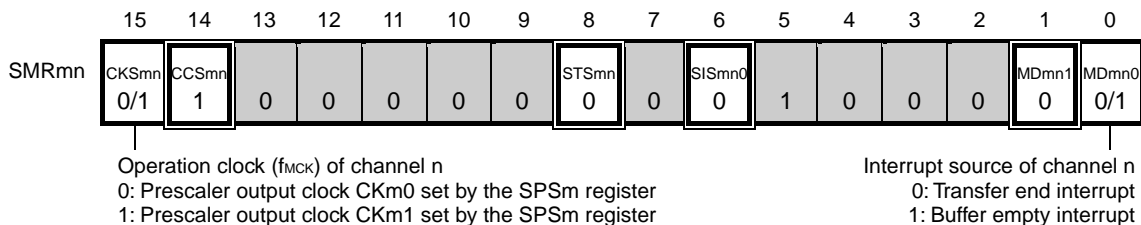
f_{SCK} : Serial clock frequency

2. m: Unit number (m = 0), n: Channel number (n = 0, 1), mn = 00, 01

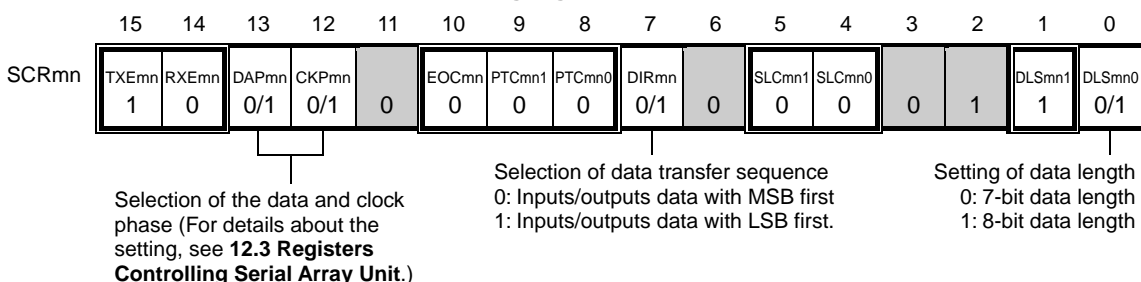
(1) Register setting

Figure 12-47. Example of Contents of Registers for Slave Transmission of 3-Wire Serial I/O (CSI00, CSI01) (1/2)

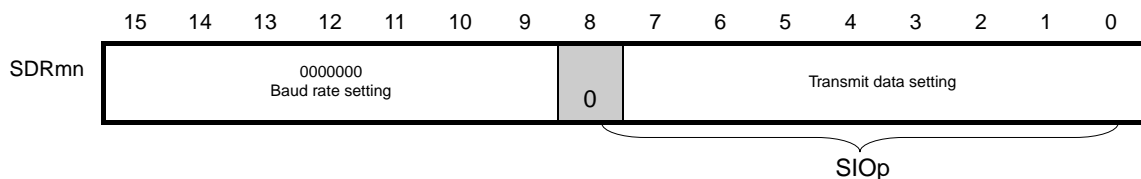
(a) Serial mode register mn (SMRmn)



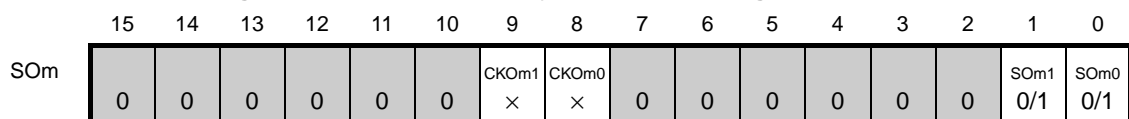
(b) Serial communication operation setting register mn (SCRmn)



(c) Serial data register mn (SDRmn) (lower 8 bits: SIOp)



(d) Serial output register m (SOM) ... Sets only the bits of the target channel.



- Remarks**
1. m: Unit number (m = 0), n: Channel number (n = 0, 1), p: CSI number (p = 00, 01), mn = 00, 01
 2. : Setting is fixed in the CSI slave transmission mode, : Setting disabled (set to the initial value)
 ×: Bit that cannot be used in this mode (set to the initial value when not used in any mode)
 0/1: Set to 0 or 1 depending on the usage of the user

Figure 12-47. Example of Contents of Registers for Slave Transmission of 3-Wire Serial I/O (CSI00, CSI01) (2/2)

(e) Serial output enable register m (SOEm) ... Sets only the bits of the target channel to 1.

	15	14	13	12	11	10	9	8	7	6	5	4	3	2	1	0		
SOEm	0	0	0	0	0	0	0	0	0	0	0	0	0	0	0	0	SOEm1	SOEm0
																	0/1	0/1

(f) Serial channel start register m (SSm) ... Sets only the bits of the target channel to 1.

	15	14	13	12	11	10	9	8	7	6	5	4	3	2	1	0		
SSm	0	0	0	0	0	0	0	0	0	0	0	0	0	0	0	0	SSm1	SSm0
																	0/1	0/1

Remarks 1. m: Unit number (m = 0), n: Channel number (n = 0, 1), p: CSI number (p = 00, 01), mn = 00, 01

2. : Setting disabled (set to the initial value)

×: Bit that cannot be used in this mode (set to the initial value when not used in any mode)

0/1: Set to 0 or 1 depending on the usage of the user

(2) Operation procedure

Figure 12-48. Initial Setting Procedure for Slave Transmission

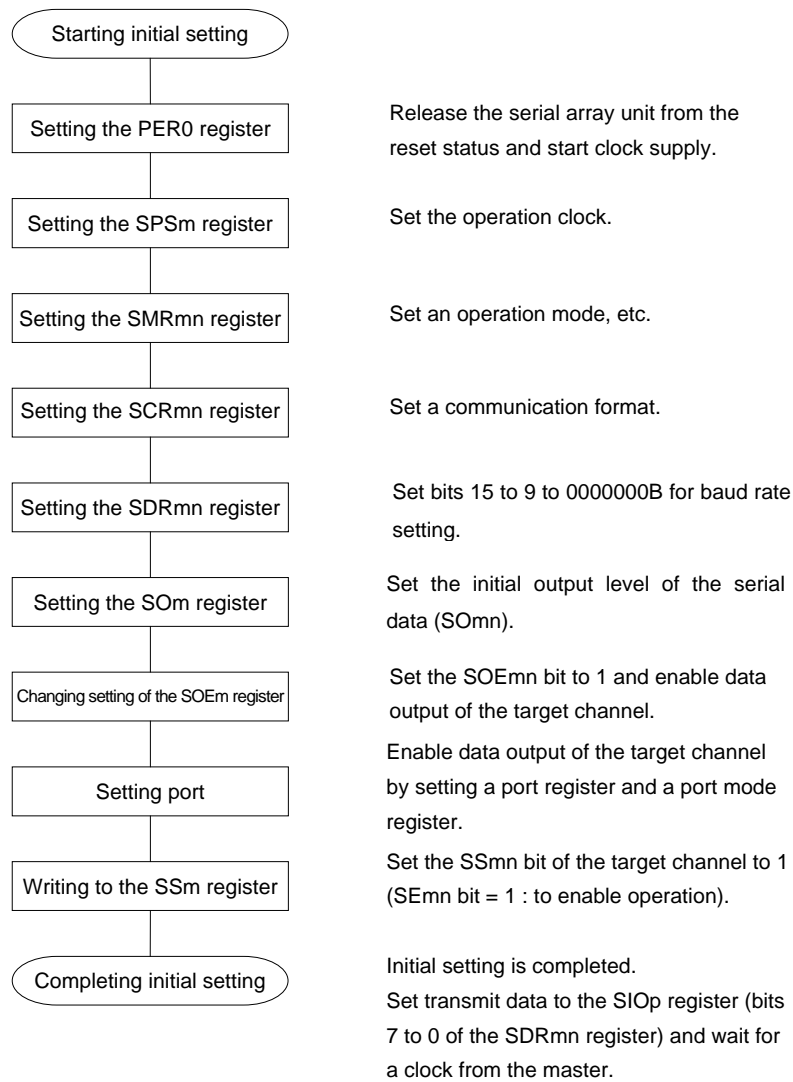


Figure 12-49. Procedure for Stopping Slave Transmission

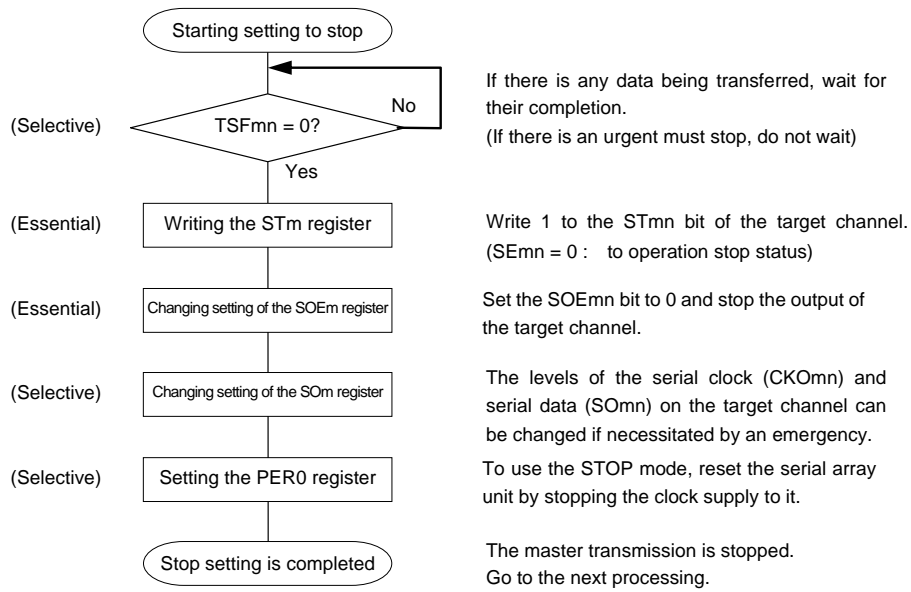
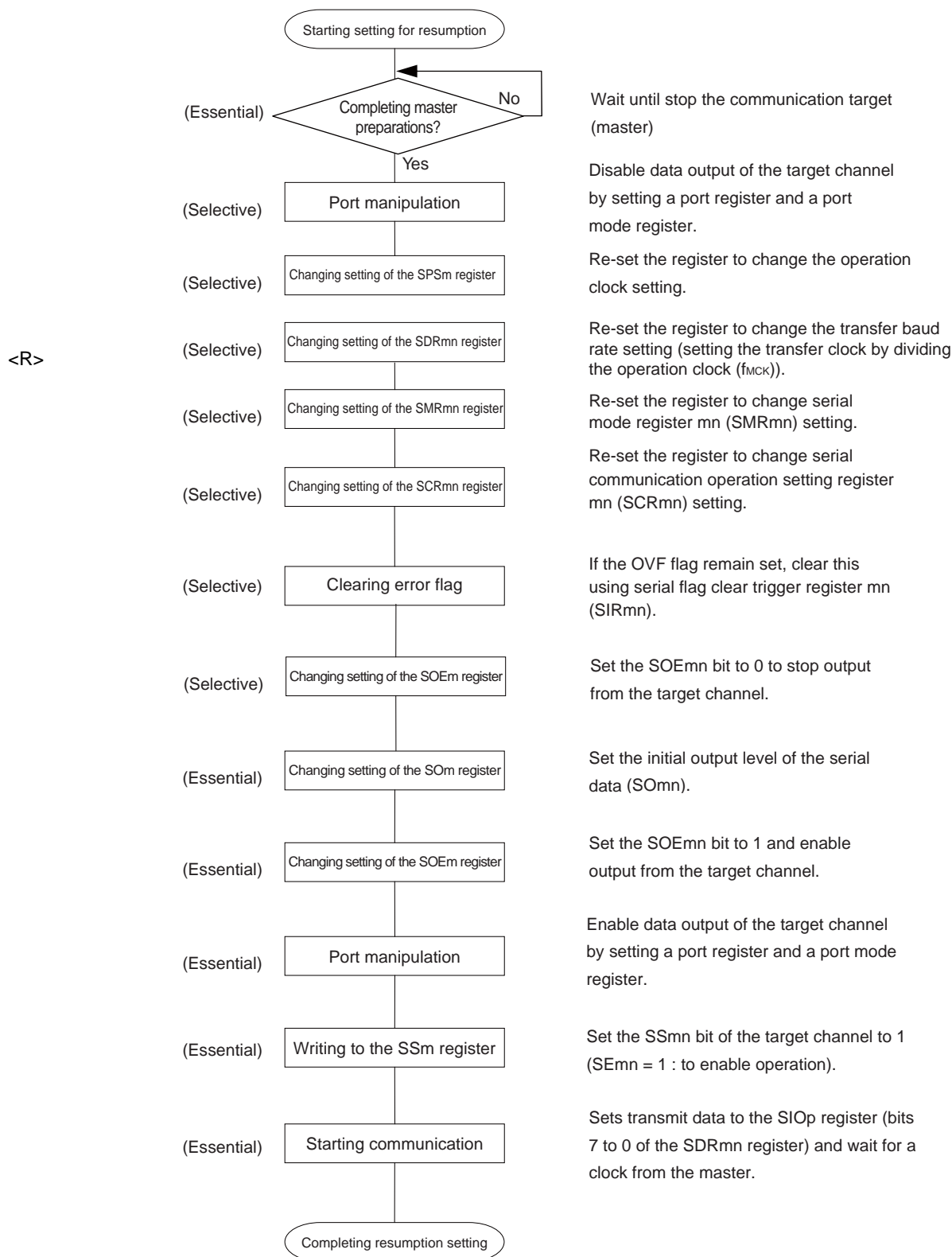


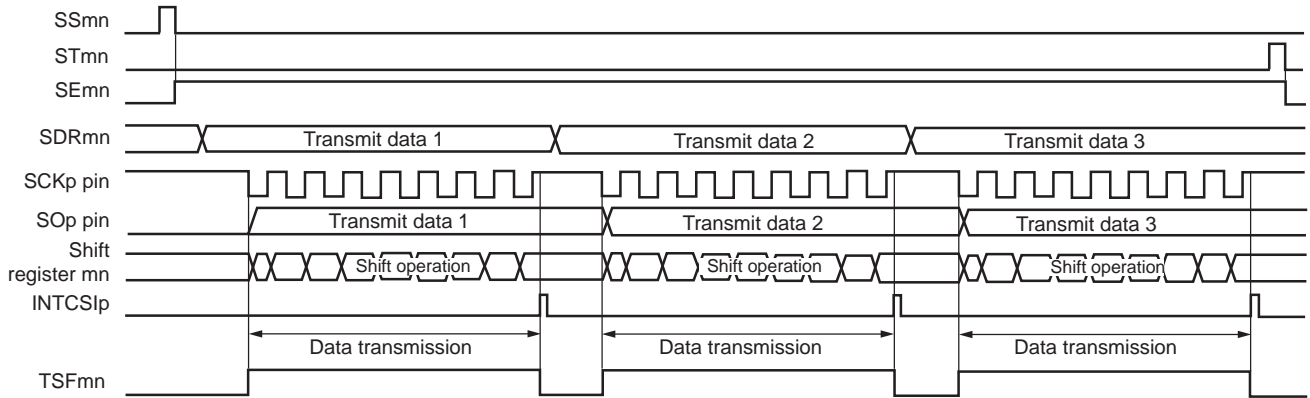
Figure 12-50. Procedure for Resuming Slave Transmission



Remark If PER0 is rewritten while stopping the master transmission and the clock supply is stopped, wait until the transmission target (master) stops or transmission finishes, and then perform initialization instead of restarting the transmission.

(3) Processing flow (in single-transmission mode)

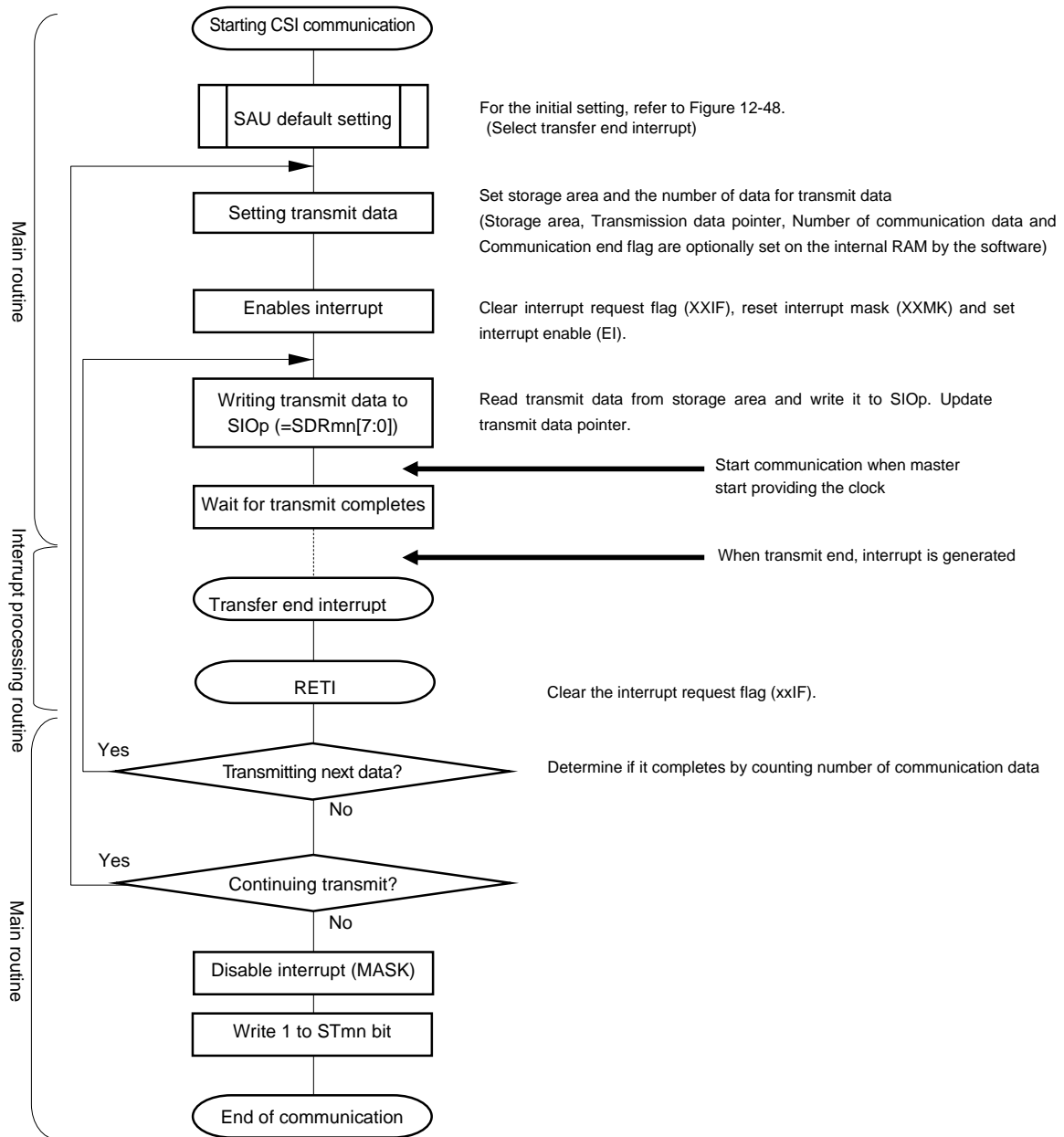
Figure 12-51. Timing Chart of Slave Transmission (in Single-Transmission Mode)
(Type 1: DAPmn = 0, CKPmn = 0)



Remark m: Unit number (m = 0), n: Channel number (n = 0, 1), p: CSI number (p = 00, 01), mn = 00, 01

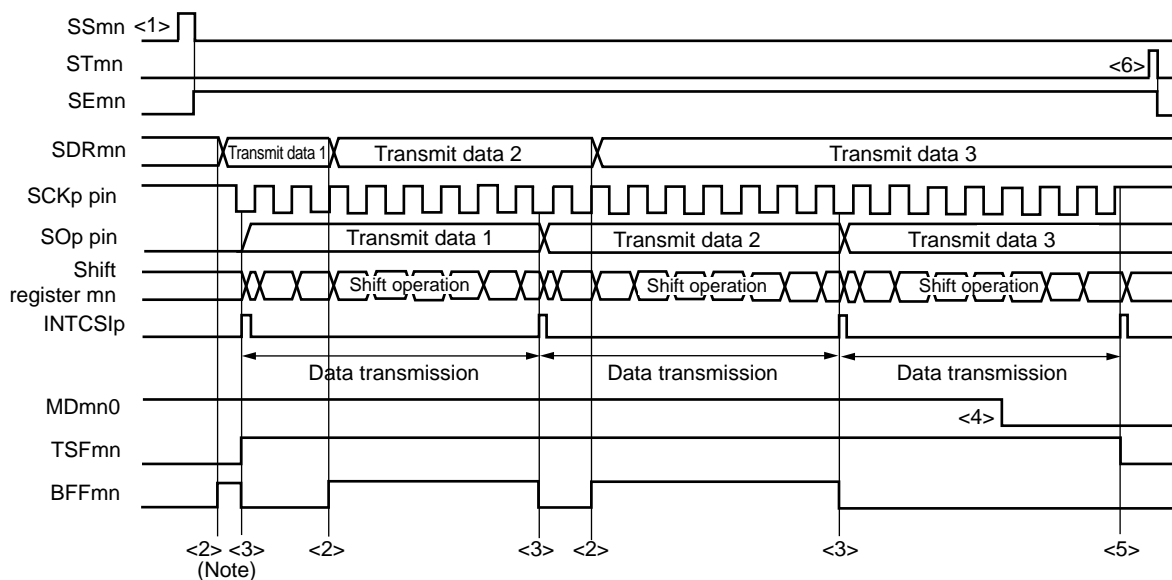
<R>

Figure 12-52. Flowchart of Slave Transmission (in Single-Transmission Mode)



(4) Processing flow (in continuous transmission mode)

Figure 12-53. Timing Chart of Slave Transmission (in Continuous Transmission Mode)
(Type 1: DAPmn = 0, CKPmn = 0)



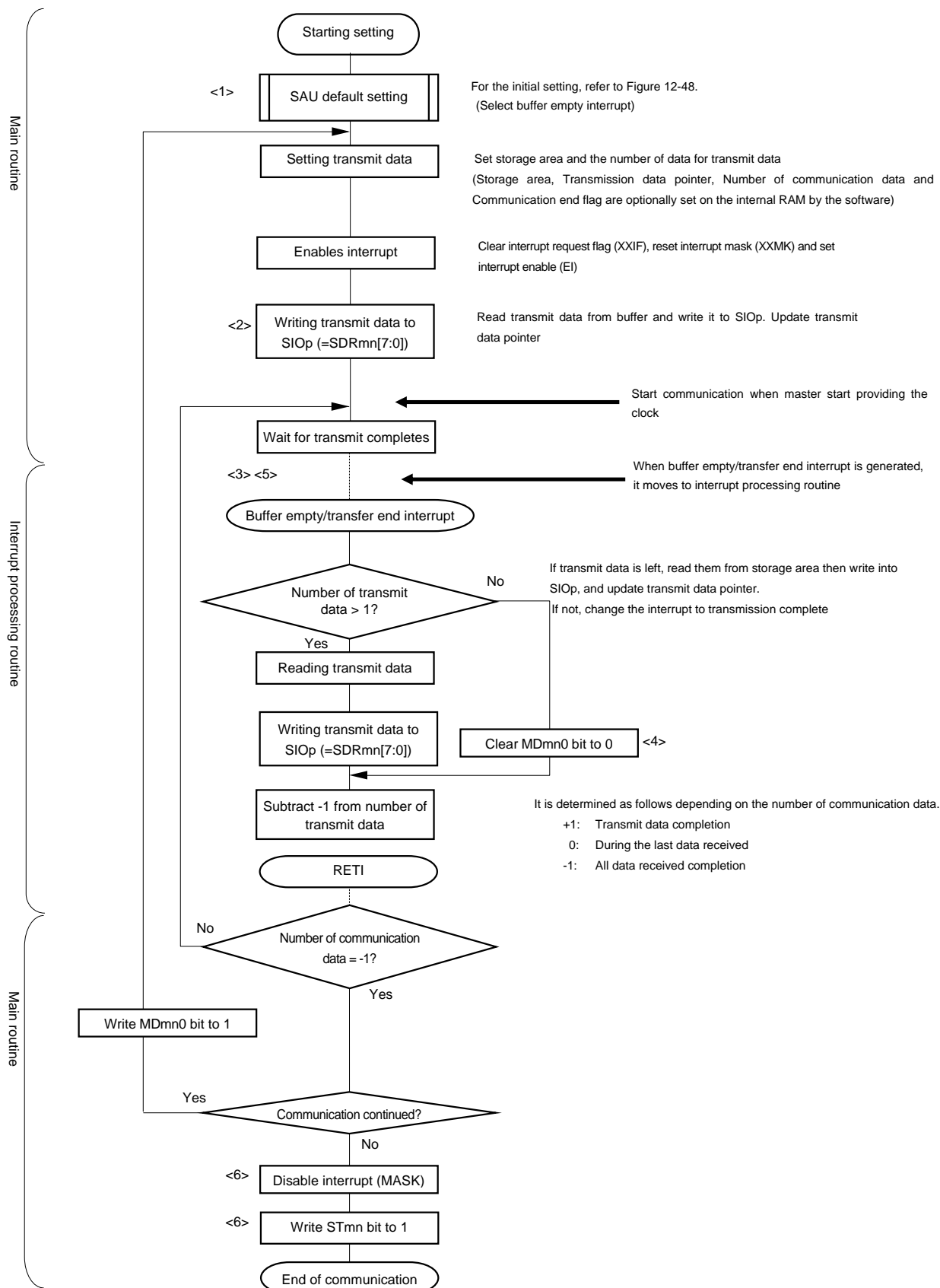
Note If transmit data is written to the SDRmn register while the BFFmn bit of serial status register mn (SSRmn) is 1 (valid data is stored in serial data register mn (SDRmn)), the transmit data is overwritten.

Caution The MDmn0 bit of serial mode register mn (SMRmn) can be rewritten even during operation. However, rewrite it before transfer of the last bit is started.

Remark m: Unit number (m = 0), n: Channel number (n = 0, 1), p: CSI number (p = 00, 01), mn = 00, 01

<R>

Figure 12-54. Flowchart of Slave Transmission (in Continuous Transmission Mode)



Remark <1> to <6> in the figure correspond to <1> to <6> in Figure 12-53 Timing Chart of Slave Transmission (in Continuous Transmission Mode).

12.5.5 Slave reception

Slave reception is that the RL78 microcontroller receives data from another device in the state of a transfer clock being input from another device.

3-Wire Serial I/O	CSI00	CSI01
Target channel	Channel 0	Channel 1
Pins used	$\overline{\text{SCK00}}$, SI00	$\overline{\text{SCK01}}$, SI01
Interrupt	INTCSI00	INTCSI01
	Transfer end interrupt only (Setting the buffer empty interrupt is prohibited.)	
Error detection flag	Overrun error detection flag (OVFmn) only	
Transfer data length	7 or 8 bits	
Transfer rate	Max. $f_{\text{MCK}}/6$ [Hz] ^{Notes 1, 2}	
Data phase	Selectable by the DAPmn bit of the SCRmn register <ul style="list-style-type: none"> • DAPmn = 0: Data input starts from the start of the operation of the serial clock. • DAPmn = 1: Data input starts half a clock before the start of the serial clock operation. 	
Clock phase	Selectable by the CKPmn bit of the SCRmn register <ul style="list-style-type: none"> • CKPmn = 0: Non-reverse • CKPmn = 1: Reverse 	
Data direction	MSB or LSB first	

<R> **Notes 1.** Because the external serial clock input to the $\overline{\text{SCK00}}$, and $\overline{\text{SCK01}}$ pins is sampled internally and used, the fastest transfer rate is $f_{\text{MCK}}/6$ [Hz].

2. Use this operation within a range that satisfies the conditions above and the peripheral functions characteristics in the electrical specifications (see **CHAPTER 30 ELECTRICAL SPECIFICATIONS (A, G: T_A = -40 to +85°C)** and **CHAPTER 31 ELECTRICAL SPECIFICATIONS (G: T_A = -40 to +105°C)**).

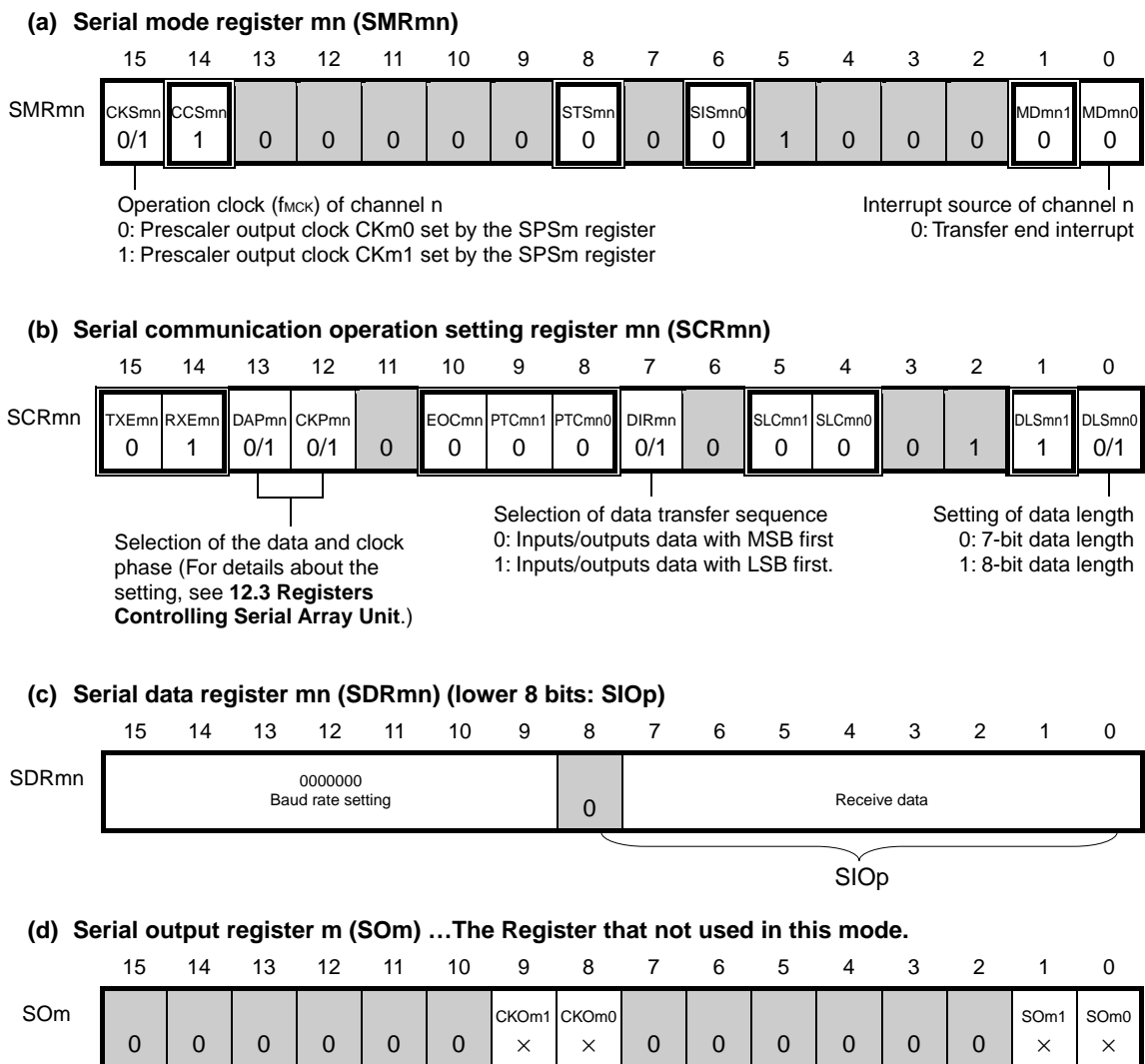
Remarks 1. f_{MCK} : Operation clock frequency of target channel

f_{SCK} : Serial clock frequency

2. m: Unit number (m = 0), n: Channel number (n = 0, 1), mn = 00, 01

(1) Register setting

Figure 12-55. Example of Contents of Registers for Slave Reception of 3-Wire Serial I/O (CSI00, CSI01) (1/2)



- Remarks 1. m: Unit number (m = 0), n: Channel number (n = 0, 1), p: CSI number (p = 00, 01), mn = 00, 01
2. □: Setting is fixed in the CSI slave transmission mode, ▢: Setting disabled (set to the initial value)
 x: Bit that cannot be used in this mode (set to the initial value when not used in any mode)
 0/1: Set to 0 or 1 depending on the usage of the user

Figure 12-55. Example of Contents of Registers for Slave Reception of 3-Wire Serial I/O (CSI00, CSI01) (2/2)

(e) Serial output enable register m (SOEm) ...The Register that not used in this mode.

	15	14	13	12	11	10	9	8	7	6	5	4	3	2	1	0
SOEm	0	0	0	0	0	0	0	0	0	0	0	0	0	0	SOEm1 ×	SOEm0 ×

(f) Serial channel start register m (SSm) ... Sets only the bits of the target channel to 1.

	15	14	13	12	11	10	9	8	7	6	5	4	3	2	1	0
SSm	0	0	0	0	0	0	0	0	0	0	0	0	0	0	SSm1 0/1	SSm0 0/1

- Remarks**
- m: Unit number (m = 0), n: Channel number (n = 0, 1), p: CSI number (p = 00, 01), mn = 00, 01
 - : Setting disabled (set to the initial value)
 - ×: Bit that cannot be used in this mode (set to the initial value when not used in any mode)
 - 0/1: Set to 0 or 1 depending on the usage of the user

(2) Operation procedure

Figure 12-56. Initial Setting Procedure for Slave Reception

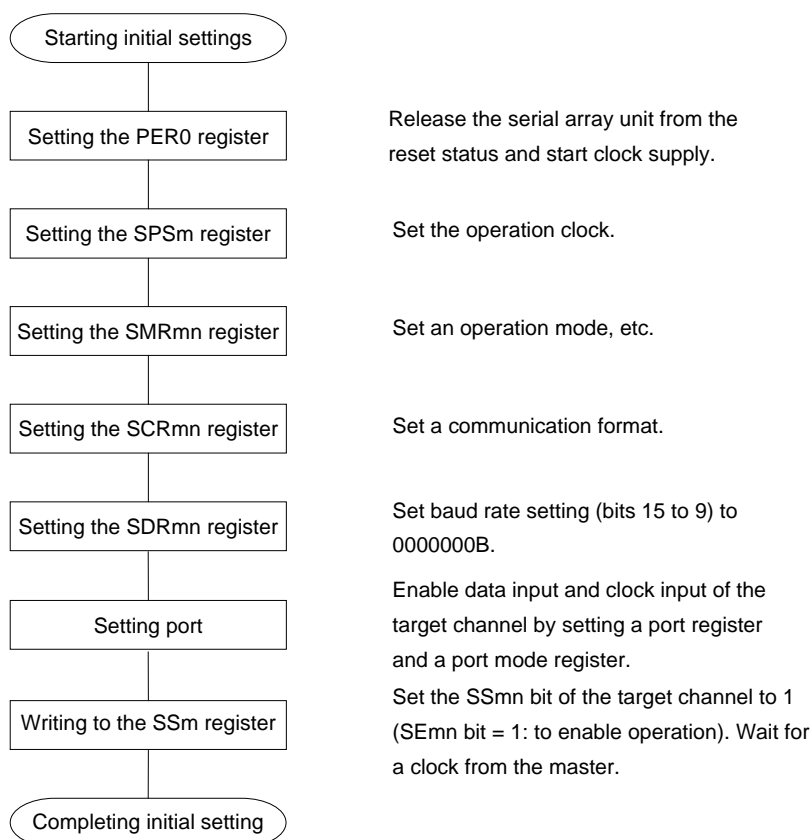


Figure 12-57. Procedure for Stopping Slave Reception

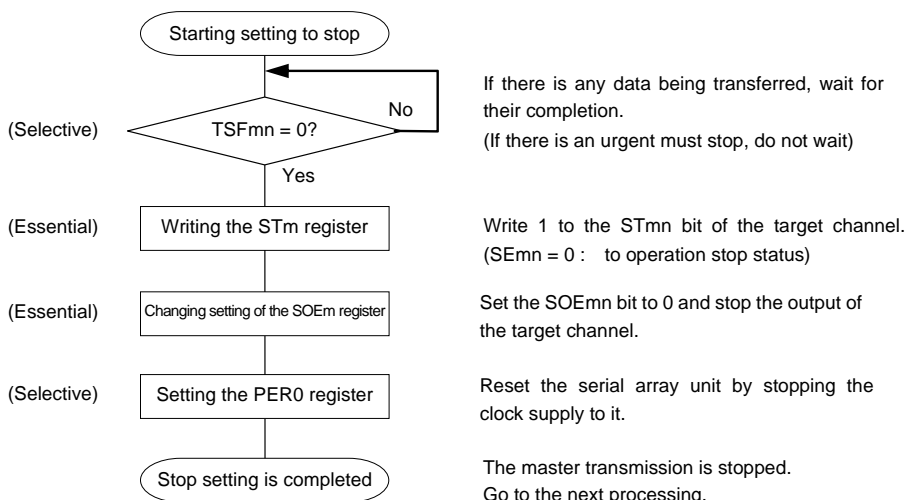
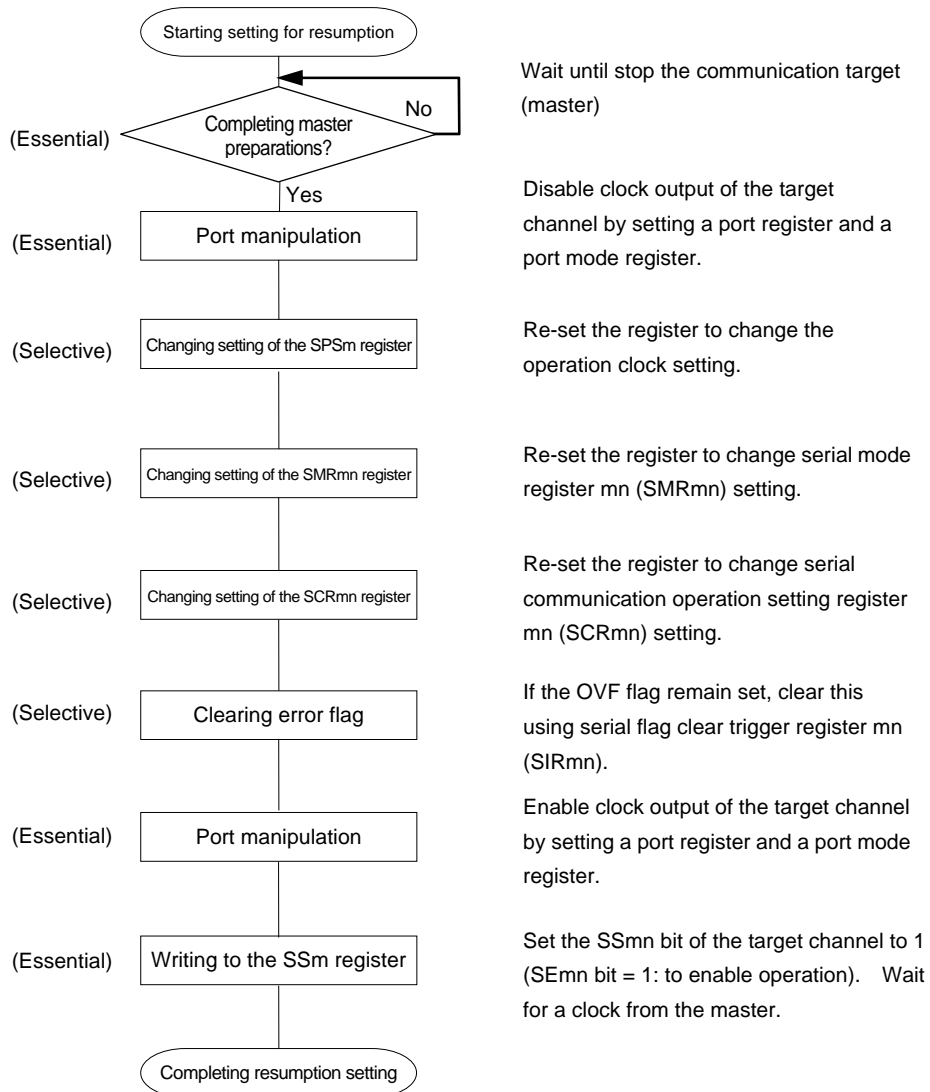


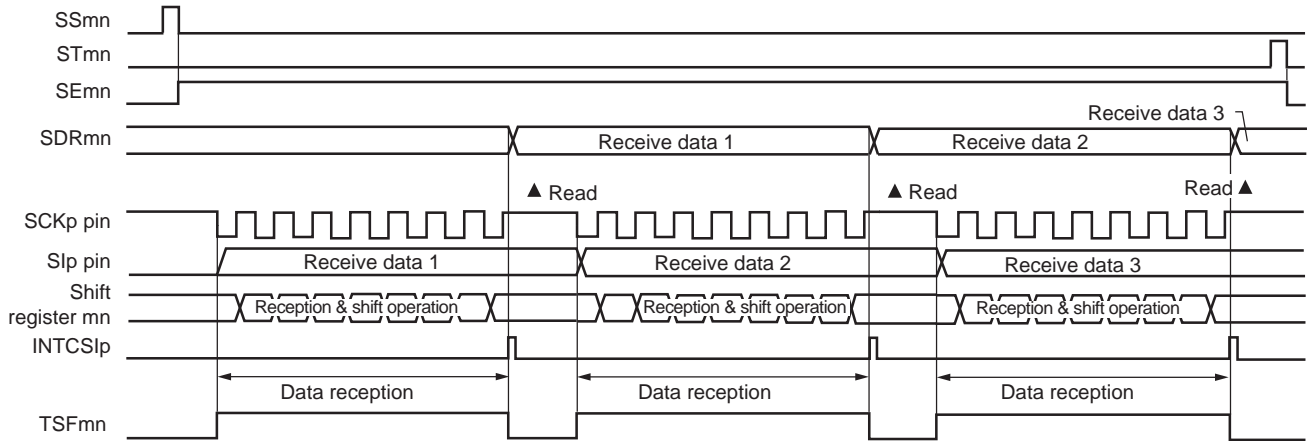
Figure 12-58. Procedure for Resuming Slave Reception



Remark If PER0 is rewritten while stopping the master transmission and the clock supply is stopped, wait until the transmission target (master) stops or transmission finishes, and then perform initialization instead of restarting the transmission.

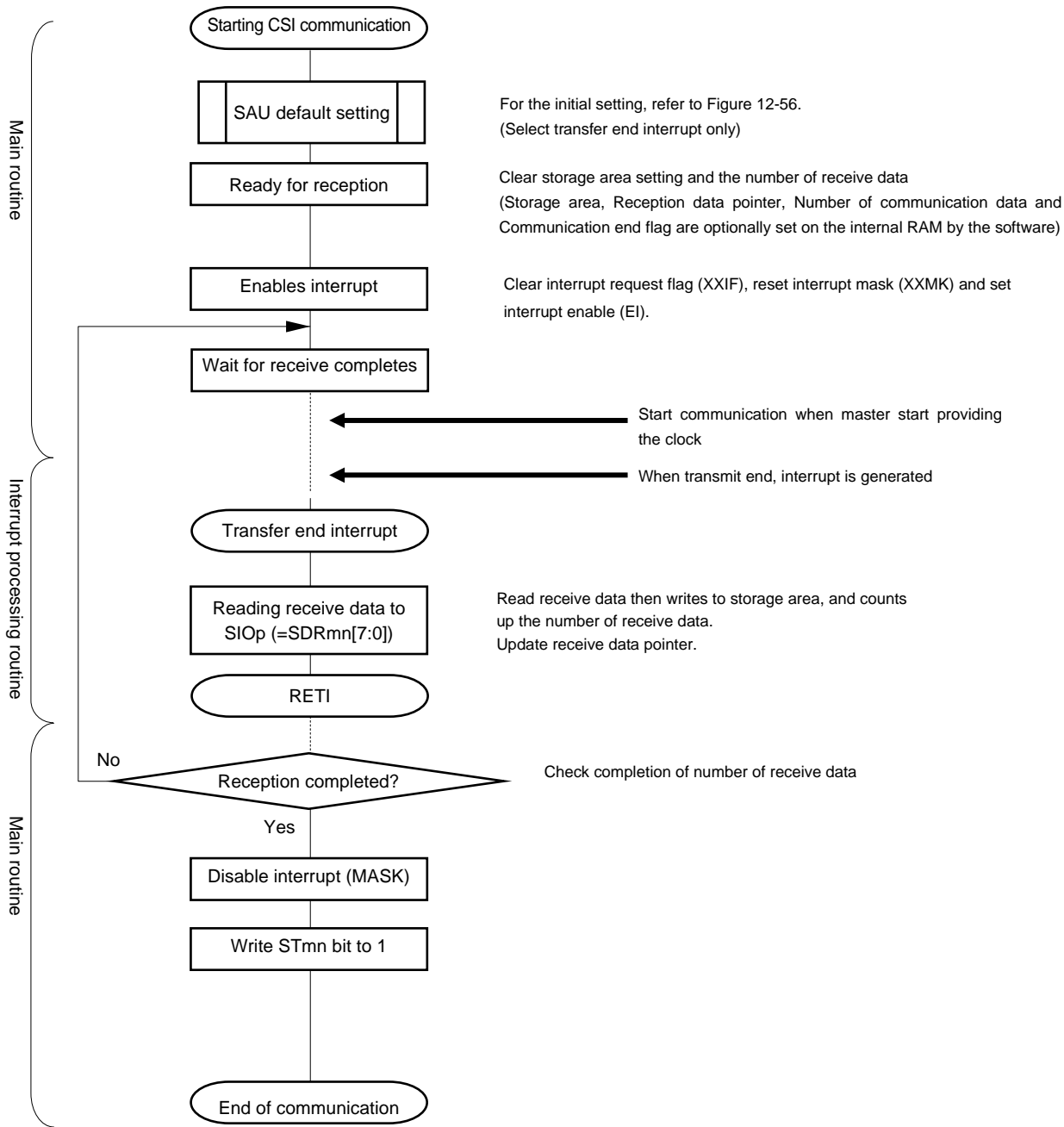
(3) Processing flow (in single-reception mode)

Figure 12-59. Timing Chart of Slave Reception (in Single-Reception Mode)
(Type 1: DAPmn = 0, CKPmn = 0)



Remark m: Unit number (m = 0), n: Channel number (n = 0, 1), p: CSI number (p = 00, 01), mn = 00, 01

Figure 12-60. Flowchart of Slave Reception (in Single-Reception Mode)



<R>

12.5.6 Slave transmission/reception

Slave transmission/reception is that the RL78 microcontroller transmits/receives data to/from another device in the state of a transfer clock being input from another device.

3-Wire Serial I/O	CSI00	CSI01
Target channel	Channel 0	Channel 1
Pins used	$\overline{\text{SCK00}}$, SI00, SO00	$\overline{\text{SCK01}}$, SI01, SO01
Interrupt	INTCSI00	INTCSI01
	Transfer end interrupt (in single-transfer mode) or buffer empty interrupt (in continuous transfer mode) can be selected.	
Error detection flag	Overrun error detection flag (OVFmn) only	
Transfer data length	7 or 8 bits	
Transfer rate	Max. $f_{\text{MCK}}/6$ [Hz] ^{Notes 1, 2}	
Data phase	Selectable by the DAPmn bit of the SCRmn register <ul style="list-style-type: none"> • DAPmn = 0: Data I/O starts from the start of the operation of the serial clock. • DAPmn = 1: Data I/O starts half a clock before the start of the serial clock operation. 	
Clock phase	Selectable by the CKPmn bit of the SCRmn register <ul style="list-style-type: none"> • CKPmn = 0: Non-reversed • CKPmn = 1: Reverse 	
Data direction	MSB or LSB first	

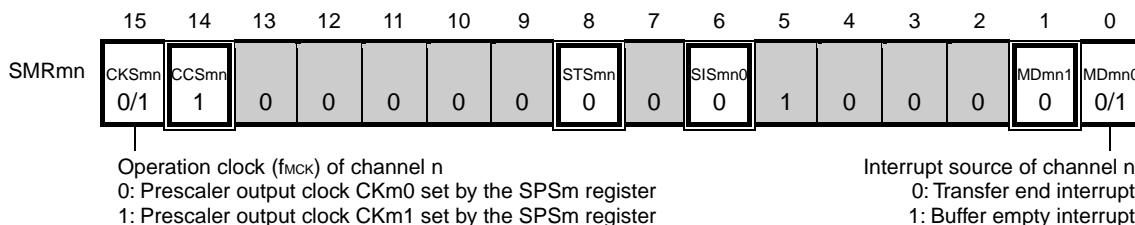
- <R> **Notes 1.** Because the external serial clock input to the $\overline{\text{SCK00}}$, and $\overline{\text{SCK01}}$ pins is sampled internally and used, the fastest transfer rate is $f_{\text{MCK}}/6$ [Hz].
- 2.** Use this operation within a range that satisfies the conditions above and the peripheral functions characteristics in the electrical specifications (see **CHAPTER 30 ELECTRICAL SPECIFICATIONS (A, G: T_A = -40 to +85°C)** and **CHAPTER 31 ELECTRICAL SPECIFICATIONS (G: T_A = -40 to +105°C)**).

- Remarks 1.** f_{MCK} : Operation clock frequency of target channel
 f_{SCK} : Serial clock frequency
- 2.** m: Unit number (m = 0), n: Channel number (n = 0, 1), mn = 00, 01

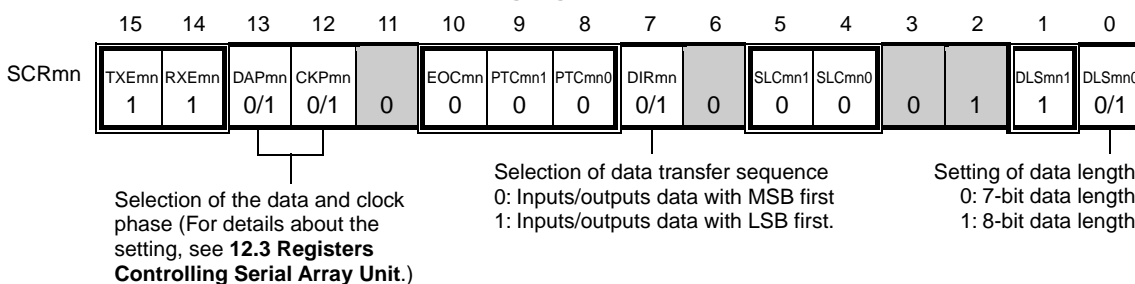
(1) Register setting

Figure 12-61. Example of Contents of Registers for Slave Transmission/Reception of 3-Wire Serial I/O (CSI00, CSI01) (1/2)

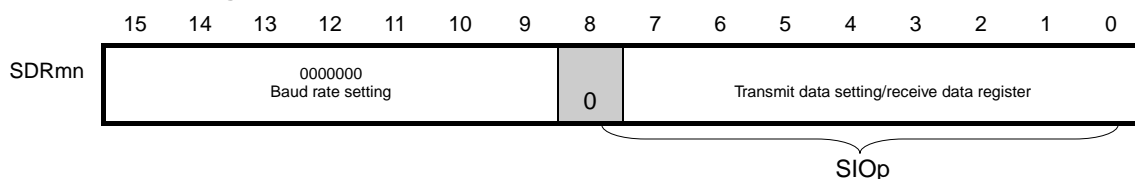
(a) Serial mode register mn (SMRmn)



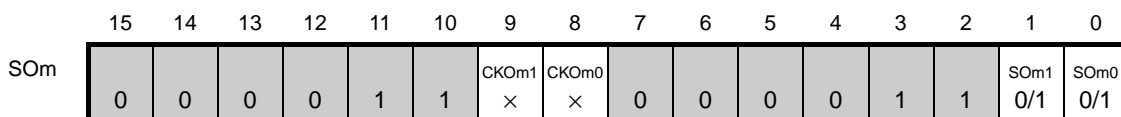
(b) Serial communication operation setting register mn (SCRmn)



(c) Serial data register mn (SDRmn) (lower 8 bits: SIOp)



(d) Serial output register m (SOM) ... Sets only the bits of the target channel.



Caution Be sure to set transmit data to the SIOp register before the clock from the master is started.

- Remarks**
- m: Unit number (m = 0), n: Channel number (n = 0, 1), p: CSI number (p = 00, 01), mn = 00, 01
 - | | |
|-----|---|
| | : Setting is fixed in the CSI slave transmission/reception mode, |
| | : Setting disabled (set to the initial value) |
| × | : Bit that cannot be used in this mode (set to the initial value when not used in any mode) |
| 0/1 | : Set to 0 or 1 depending on the usage of the user |

Figure 12-61. Example of Contents of Registers for Slave Transmission/Reception of 3-Wire Serial I/O (CSI00, CSI01) (2/2)

(e) Serial output enable register m (SOEm) ... Sets only the bits of the target channel to 1.

	15	14	13	12	11	10	9	8	7	6	5	4	3	2	1	0		
SOEm	0	0	0	0	0	0	0	0	0	0	0	0	0	0	0	0	SOEm1	SOEm0
																	0/1	0/1

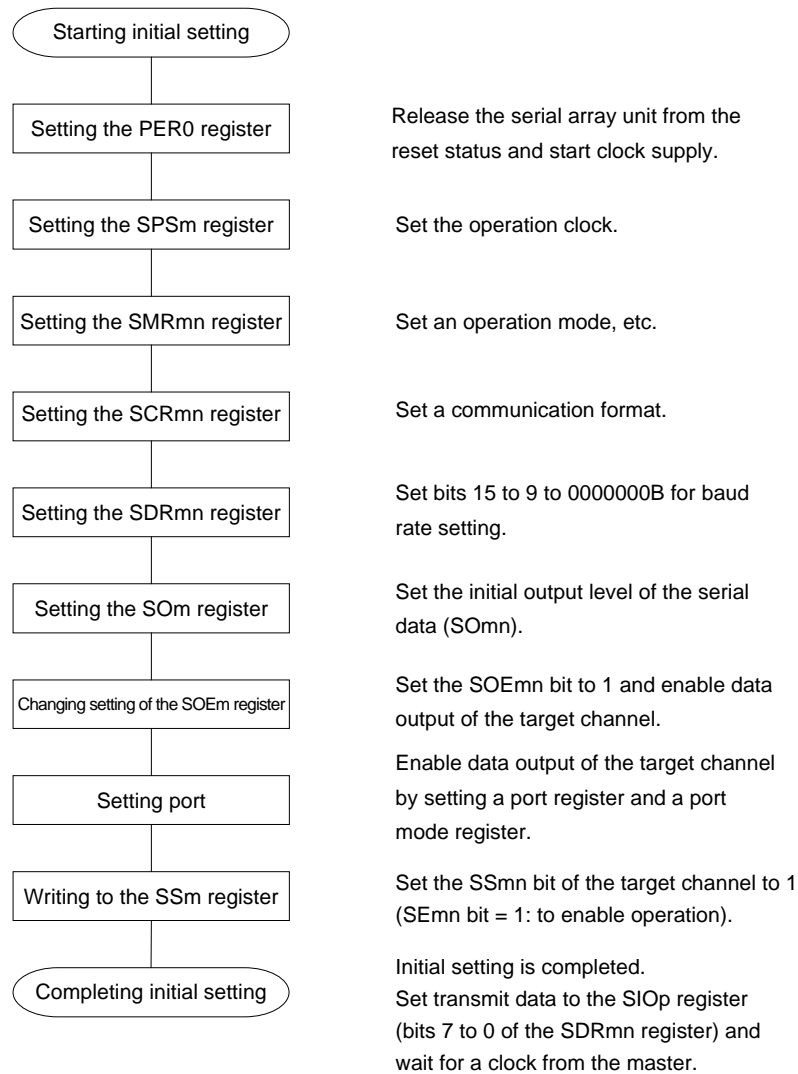
(f) Serial channel start register m (SSm) ... Sets only the bits of the target channel to 1.

	15	14	13	12	11	10	9	8	7	6	5	4	3	2	1	0		
SSm	0	0	0	0	0	0	0	0	0	0	0	0	0	0	0	0	SSm1	SSm0
																	0/1	0/1

- Remarks**
- m: Unit number (m = 0), n: Channel number (n = 0, 1), p: CSI number (p = 00, 01), mn = 00, 01
 - : Setting disabled (set to the initial value)
 - ×: Bit that cannot be used in this mode (set to the initial value when not used in any mode)
 - 0/1: Set to 0 or 1 depending on the usage of the user

(2) Operation procedure

Figure 12-62. Initial Setting Procedure for Slave Transmission/Reception



Caution Be sure to set transmit data to the SIOp register before the clock from the master is started.

Figure 12-63. Procedure for Stopping Slave Transmission/Reception

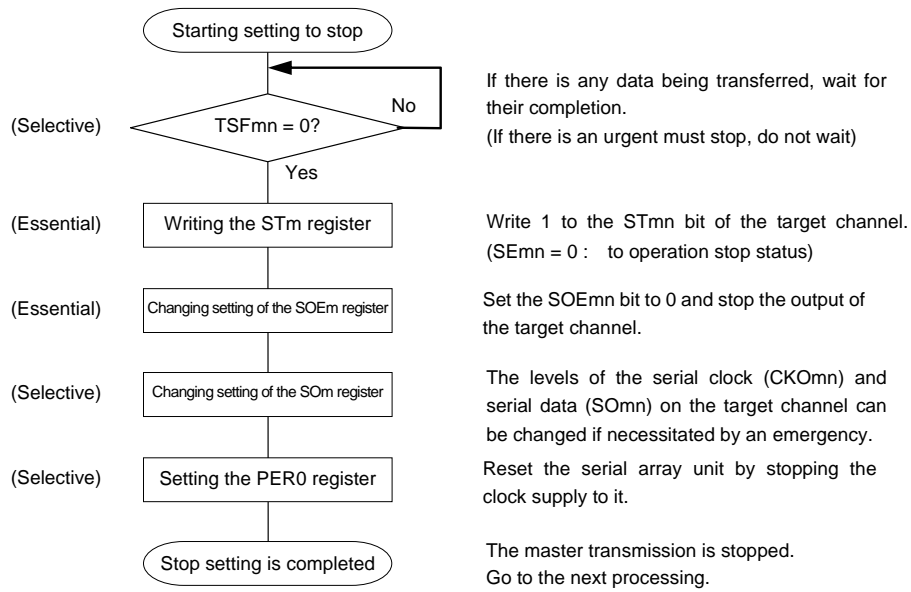
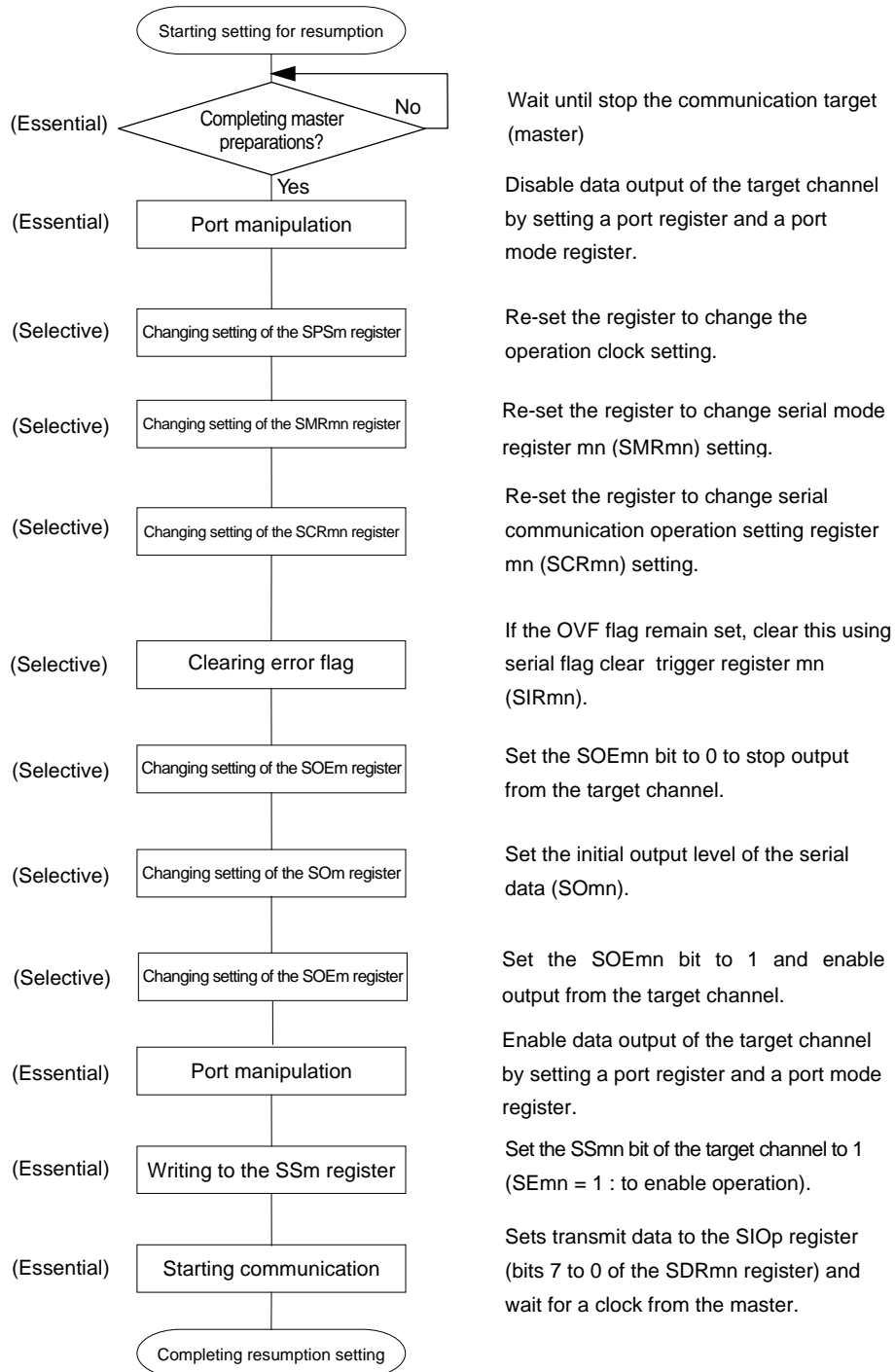


Figure 12-64. Procedure for Resuming Slave Transmission/Reception

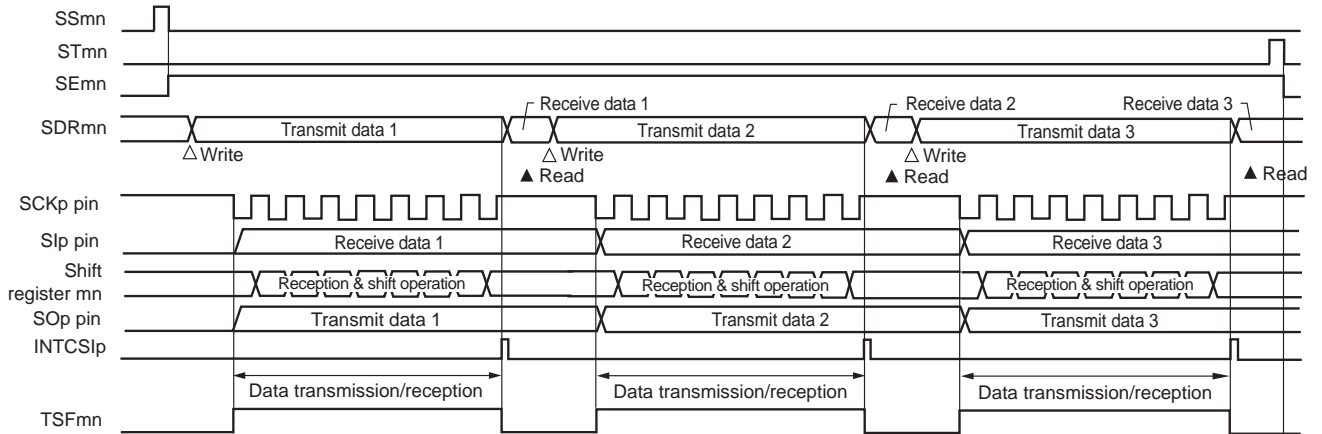


- Cautions**
1. Be sure to set transmit data to the SIOp register before the clock from the master is started.
 2. If PER0 is rewritten while stopping the master transmission and the clock supply is stopped, wait until the transmission target (master) stops or transmission finishes, and then perform initialization instead of restarting the transmission.

<R>

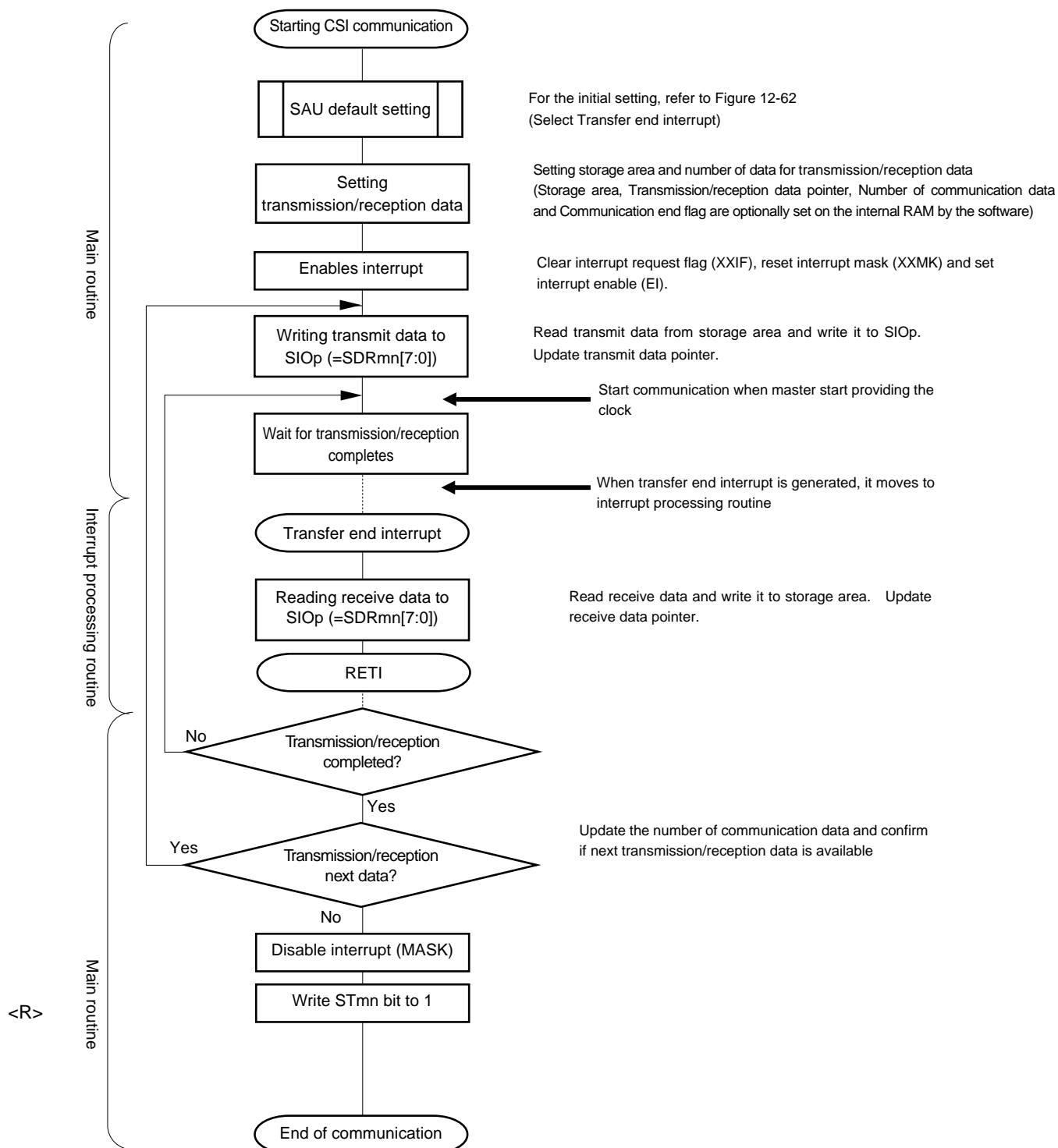
(3) Processing flow (in single-transmission/reception mode)

Figure 12-65. Timing Chart of Slave Transmission/Reception (in Single-Transmission/Reception Mode)
(Type 1: DAPmn = 0, CKPmn = 0)



Remark m: Unit number (m = 0), n: Channel number (n = 0, 1), p: CSI number (p = 00, 01), mn = 00, 01

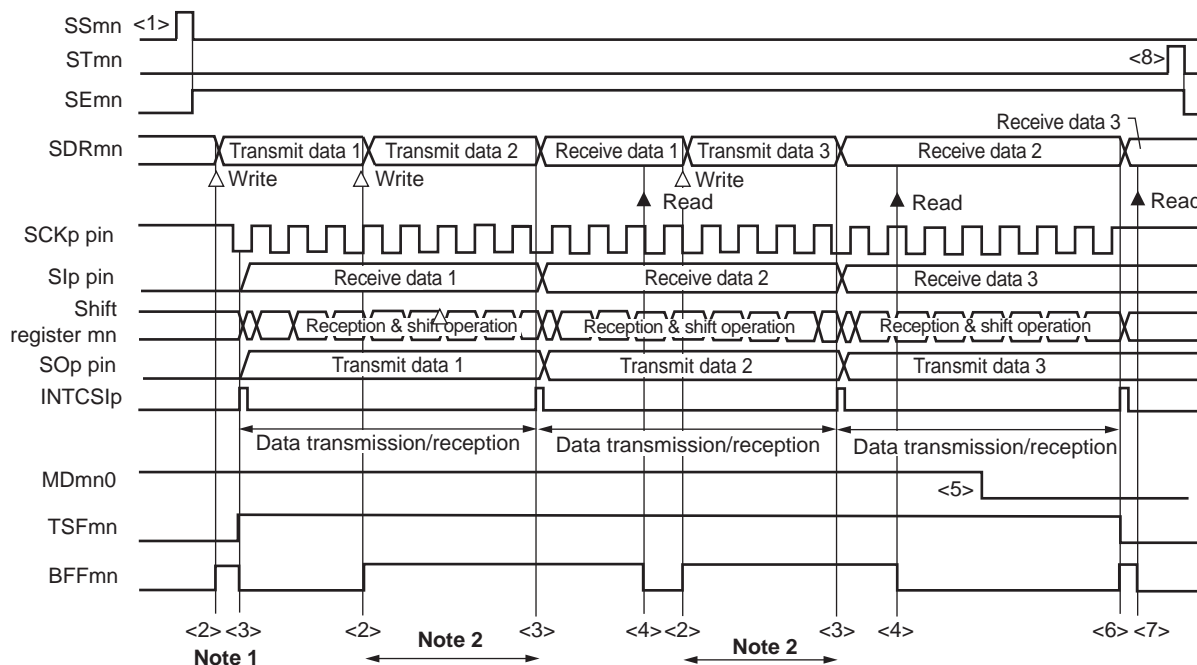
Figure 12-66. Flowchart of Slave Transmission/Reception (in Single- Transmission/Reception Mode)



Caution Be sure to set transmit data to the SIOp register before the clock from the master is started.

(4) Processing flow (in continuous transmission/reception mode)

Figure 12-67. Timing Chart of Slave Transmission/Reception (in Continuous Transmission/Reception Mode)
(Type 1: DAPmn = 0, CKPmn = 0)

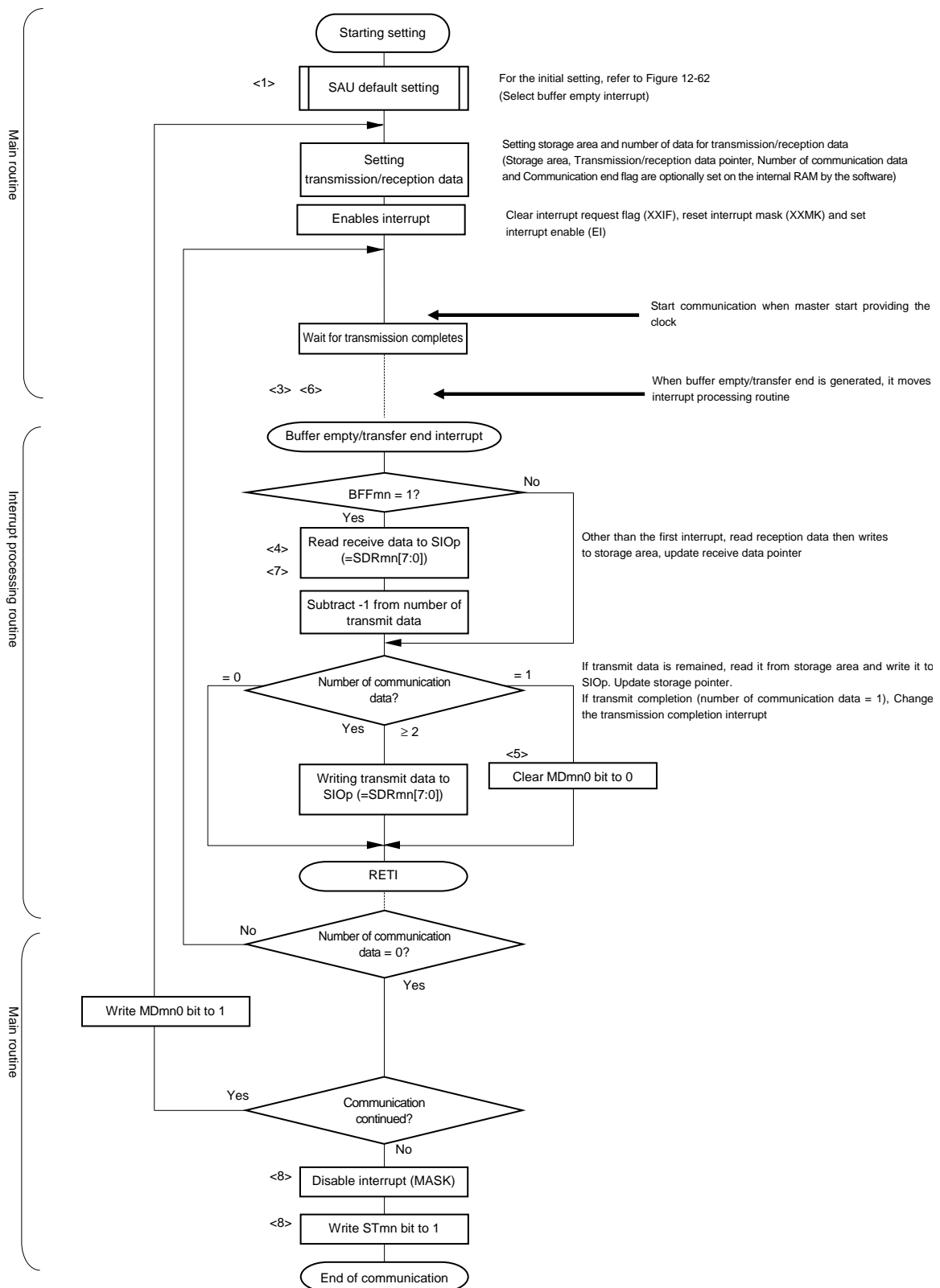


- Notes**
1. If transmit data is written to the SDRmn register while the BFFmn bit of serial status register mn (SSRmn) is 1 (valid data is stored in serial data register mn (SDRmn)), the transmit data is overwritten.
 2. The transmit data can be read by reading the SDRmn register during this period. At this time, the transfer operation is not affected.

Caution The MDmn0 bit of serial mode register mn (SMRmn) can be rewritten even during operation. However, rewrite it before transfer of the last bit is started, so that it has been rewritten before the transfer end interrupt of the last transmit data.

- Remarks**
1. <1> to <8> in the figure correspond to <1> to <8> in Figure 12-68 Flowchart of Slave Transmission/Reception (in Continuous Transmission/Reception Mode).
 2. m: Unit number (m = 0), n: Channel number (n = 0, 1), p: CSI number (p = 00, 01), mn = 00, 01

<R> **Figure 12-68. Flowchart of Slave Transmission/Reception (in Continuous Transmission/Reception Mode)**



Caution Be sure to set transmit data to the SIOp register before the clock from the master is started.

Remark <1> to <8> in the figure correspond to <1> to <8> in **Figure 12-67 Timing Chart of Slave Transmission/Reception (in Continuous Transmission/Reception Mode)**.

<R> 12.5.7 SNOOZE mode function

SNOOZE mode makes CSI operate reception by $\overline{\text{SCKp}}$ pin input detection while the STOP mode. Normally CSI stops communication in the STOP mode. But, using the SNOOZE mode makes reception CSI operate unless the CPU operation by detecting $\overline{\text{SCKp}}$ pin input.

Only the following channel can be set to the SNOOZE mode.

CSI00

When using the CSI in SNOOZE mode, make the following setting before switching to the STOP mode (see **Figure 12-70 Flowchart of SNOOZE Mode Operation (once startup)** and **Figure 12-72 Flowchart of SNOOZE Mode Operation (continuous startup)**).

- When using the SNOOZE mode function, set the SWCm bit of serial standby control register m (SSCm) to 1 just before switching to the STOP mode. After the initial setting has been completed, set the SSm1 bit of serial channel start register m (SSm) to 1.

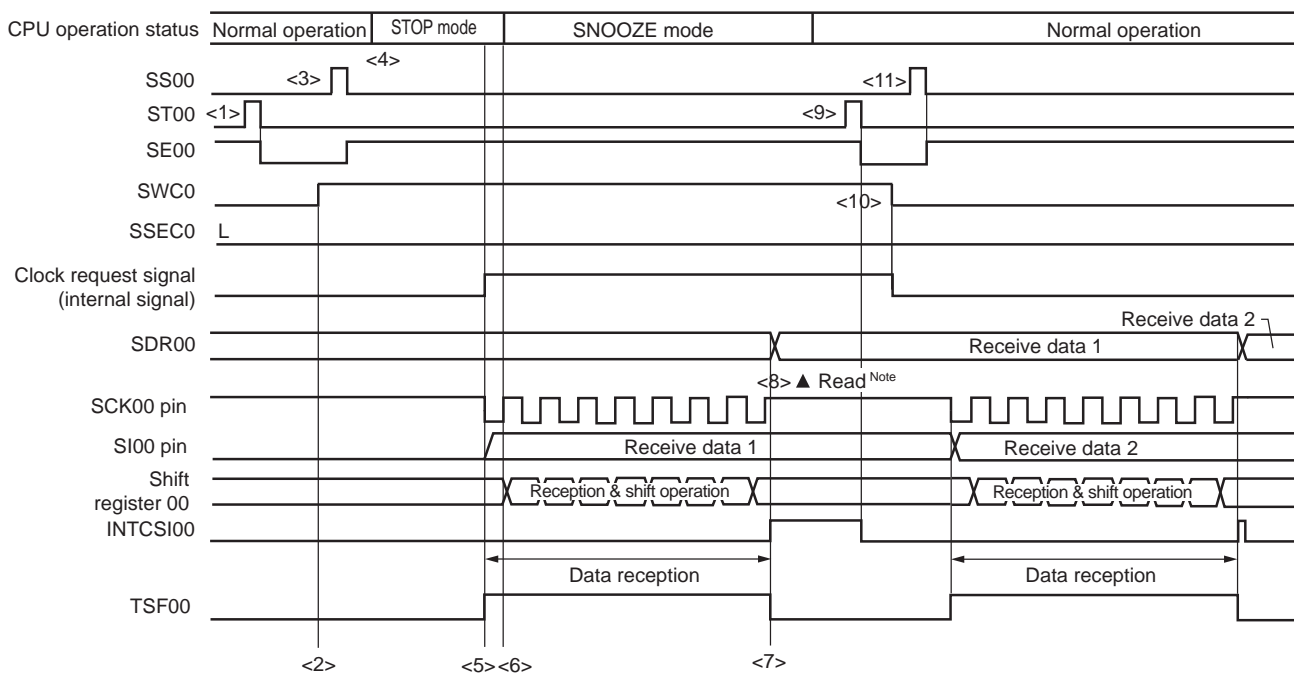
After a transition to the STOP mode, the CSI starts reception operations upon detection of an edge of the SCKp pin.

Cautions 1. The SNOOZE mode can only be specified when the high-speed on-chip oscillator clock is selected for f_{CLK} .

2. The maximum transfer rate when using CSIp in the SNOOZE mode is 1 Mbps.

(1) SNOOZE mode operation (once startup)

Figure 12-69. Timing Chart of SNOOZE Mode Operation (once startup) (Type 1: DAPmn = 0, CKPmn = 0)



Note Only read received data while SWCm = 1 and before the next edge of the \overline{SCKp} pin input is detected.

Cautions 1. Before switching to the SNOOZE mode or after reception operation in the SNOOZE mode finishes, set the STm0 bit to 1 (clear the SEm0 bit, and stop the operation). And after completion the receive operation, also clearing SWCm bit to 0 (SNOOZE mode release).

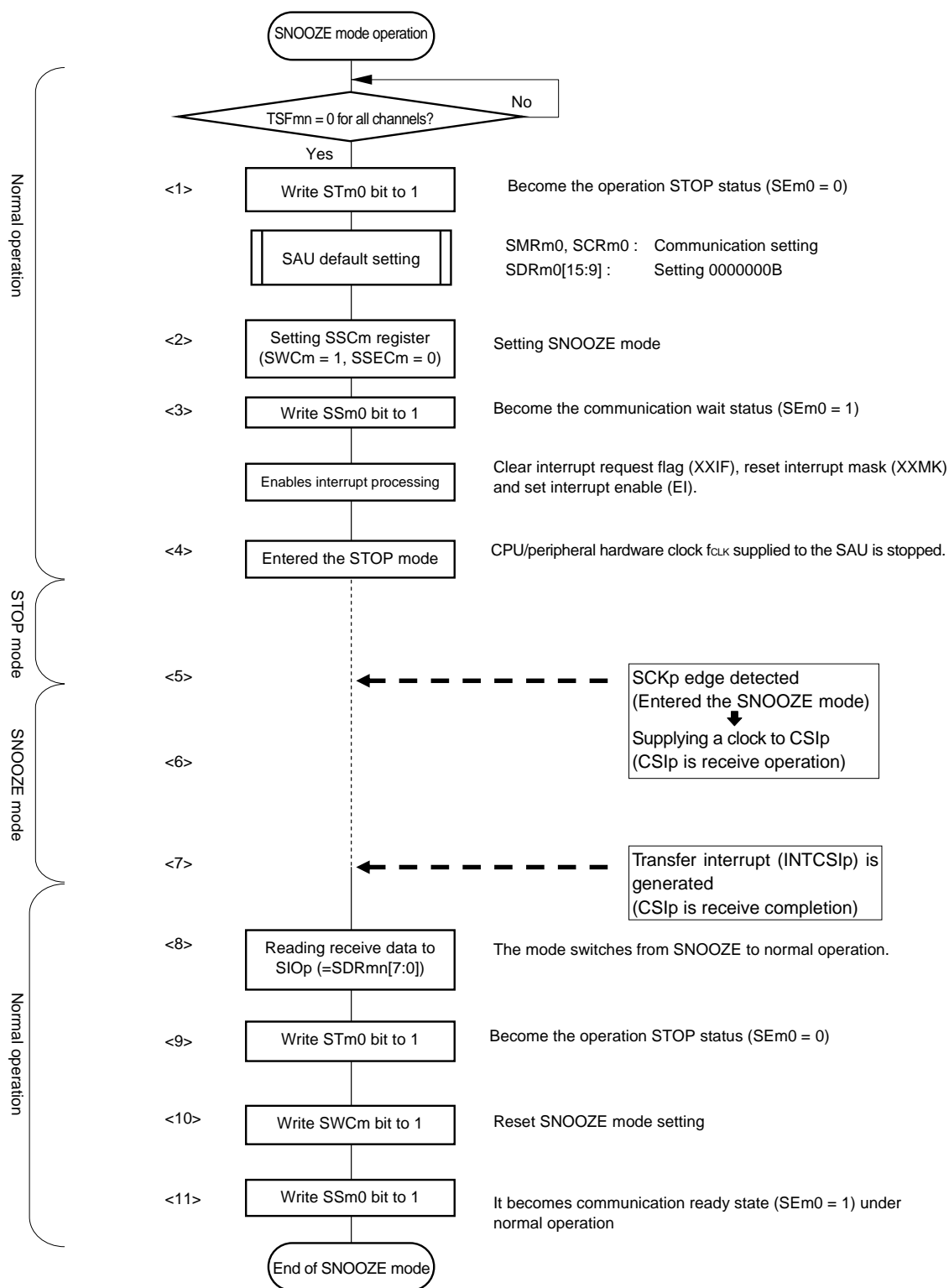
<R>

2. When SWCm = 1, the BFFm1 and OVf1 flags will not change.

Remarks 1. <1> to <11> in the figure correspond to <1> to <11> in Figure 12-70 Flowchart of SNOOZE Mode Operation (once startup).

2. m = 0; p = 00

Figure 12-70. Flowchart of SNOOZE Mode Operation (once startup)

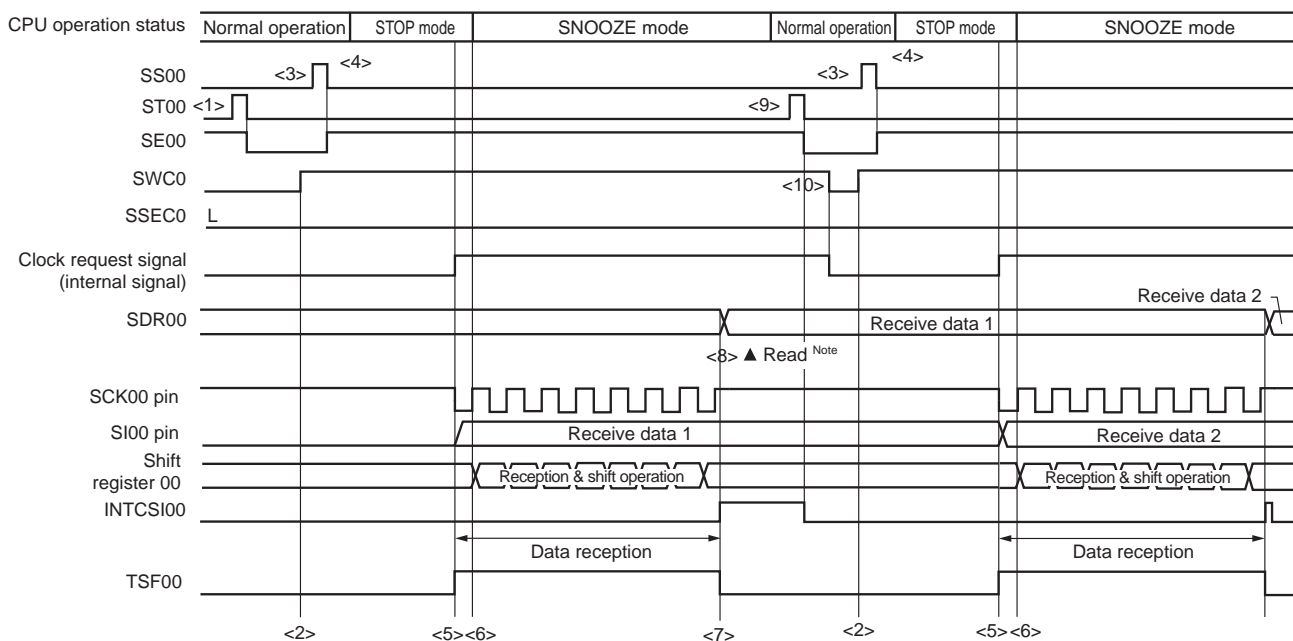


Remarks 1. <1> to <11> in the figure correspond to <1> to <11> in Figure 12-69 Timing Chart of SNOOZE Mode Operation (once startup).

2. $m = 0; p = 00$

(2) SNOOZE mode operation (continuous startup)

Figure 12-71. Timing Chart of SNOOZE Mode Operation (continuous startup) (Type 1: DAPmn = 0, CKPmn = 0)



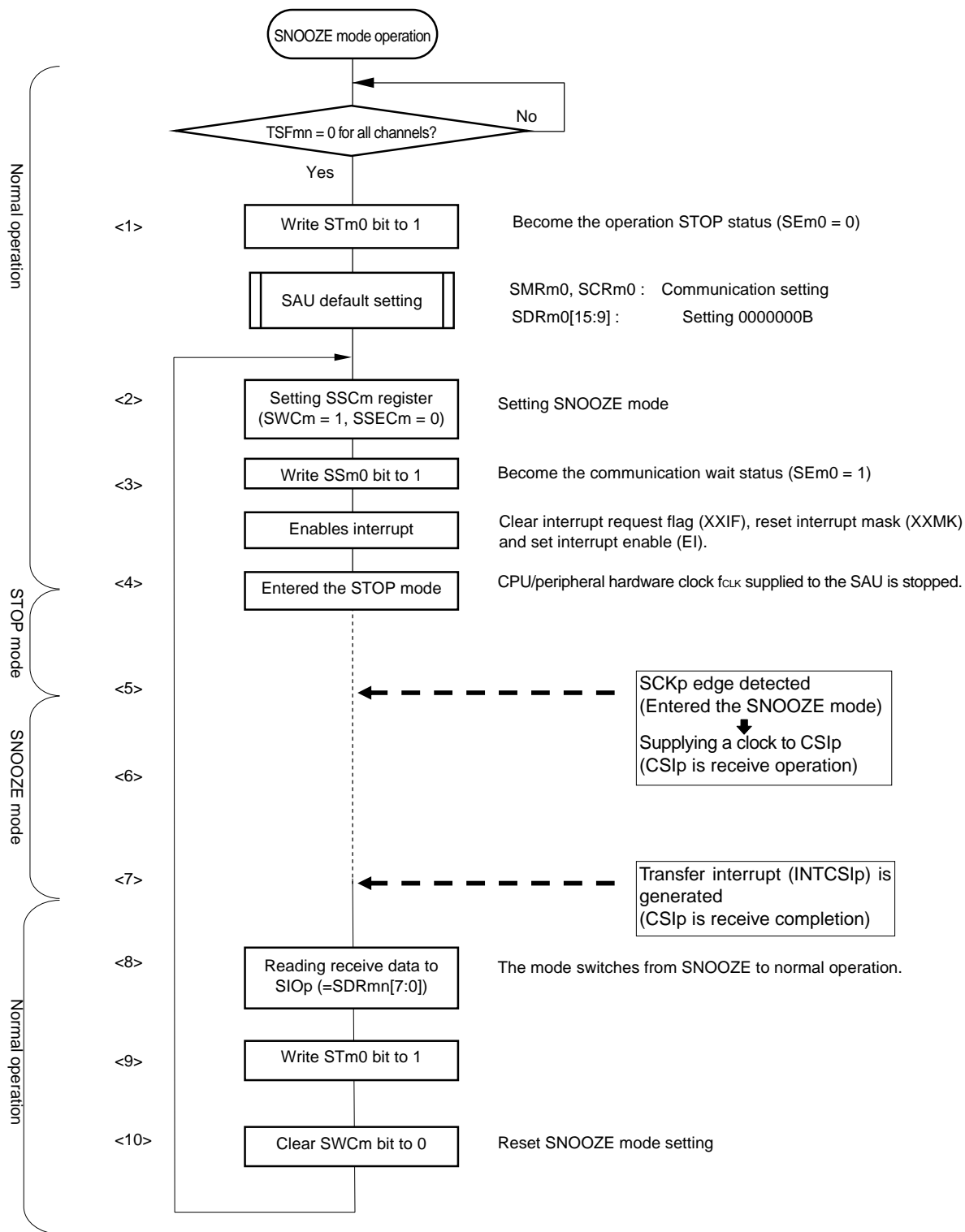
Note Only read received data while SWCm = 1 and before the next edge of the SCKp pin input is detected.

- Cautions 1.** Before switching to the SNOOZE mode or after reception operation in the SNOOZE mode finishes, set the STm0 bit to 1 (clear the SEm0 bit, and stop the operation). And after completion the receive operation, also clearing SWCm bit to 0 (SNOOZE release).
- 2.** When SWCm = 1, the BFFm1 and OVfm1 flags will not change.

<R>

- Remarks 1.** <1> to <10> in the figure correspond to <1> to <10> in Figure 12-72 Flowchart of SNOOZE Mode Operation (continuous startup).
- 2.** m = 0; p = 00

Figure 12-72. Flowchart of SNOOZE Mode Operation (continuous startup)



Remarks 1. <1> to <10> in the figure correspond to <1> to <10> in Figure 12-71 Timing Chart of SNOOZE Mode Operation (continuous startup).

2. m = 0; p = 00

12.5.8 Calculating transfer clock frequency

The transfer clock frequency for 3-wire serial I/O (CSI00, CSI01) communication can be calculated by the following expressions.

(1) Master

$$\text{(Transfer clock frequency)} = \{\text{Operation clock (}f_{\text{MCK}}\text{) frequency of target channel}\} \div (\text{SDRmn}[15:9] + 1) \div 2 \text{ [Hz]}$$

(2) Slave

$$\text{(Transfer clock frequency)} = \{\text{Frequency of serial clock (}S\overline{CK}\text{) supplied by master}\}^{\text{Note}} \text{ [Hz]}$$

Note The permissible maximum transfer clock frequency is $f_{\text{MCK}}/6$.

Remark The value of SDRmn[15:9] is the value of bits 15 to 9 of serial data register mn (SDRmn) (0000000B to 1111111B) and therefore is 0 to 127.

The operation clock (f_{MCK}) is determined by serial clock select register m (SPSm) and bit 15 (CKSmn) of serial mode register mn (SMRmn).

Table 12-2. Selection of Operation Clock For 3-Wire Serial I/O

SMRmn Register	SPSm Register								Operation Clock (f _{CLK}) ^{Note}	
	CKSmn	PRS m13	PRS m12	PRS m11	PRS m10	PRS m03	PRS m02	PRS m01	PRS m00	f _{CLK} = 24 MHz
0	X	X	X	X	0	0	0	0	f _{CLK}	24 MHz
	X	X	X	X	0	0	0	1	f _{CLK} /2	12 MHz
	X	X	X	X	0	0	1	0	f _{CLK} /2 ²	6 MHz
	X	X	X	X	0	0	1	1	f _{CLK} /2 ³	3 MHz
	X	X	X	X	0	1	0	0	f _{CLK} /2 ⁴	1.5 MHz
	X	X	X	X	0	1	0	1	f _{CLK} /2 ⁵	750 kHz
	X	X	X	X	0	1	1	0	f _{CLK} /2 ⁶	375 kHz
	X	X	X	X	0	1	1	1	f _{CLK} /2 ⁷	187.5 kHz
	X	X	X	X	1	0	0	0	f _{CLK} /2 ⁸	93.8 kHz
	X	X	X	X	1	0	0	1	f _{CLK} /2 ⁹	46.9 kHz
	X	X	X	X	1	0	1	0	f _{CLK} /2 ¹⁰	23.4 kHz
	X	X	X	X	1	0	1	1	f _{CLK} /2 ¹¹	11.7 kHz
	X	X	X	X	1	1	0	0	f _{CLK} /2 ¹²	5.86 kHz
	X	X	X	X	1	1	0	1	f _{CLK} /2 ¹³	2.93 kHz
	X	X	X	X	1	1	1	0	f _{CLK} /2 ¹⁴	1.46 kHz
X	X	X	X	1	1	1	1	f _{CLK} /2 ¹⁵	732 Hz	
1	0	0	0	0	X	X	X	X	f _{CLK}	24 MHz
	0	0	0	1	X	X	X	X	f _{CLK} /2	12 MHz
	0	0	1	0	X	X	X	X	f _{CLK} /2 ²	6 MHz
	0	0	1	1	X	X	X	X	f _{CLK} /2 ³	3 MHz
	0	1	0	0	X	X	X	X	f _{CLK} /2 ⁴	1.5 MHz
	0	1	0	1	X	X	X	X	f _{CLK} /2 ⁵	750 kHz
	0	1	1	0	X	X	X	X	f _{CLK} /2 ⁶	375 kHz
	0	1	1	1	X	X	X	X	f _{CLK} /2 ⁷	187.5 kHz
	1	0	0	0	X	X	X	X	f _{CLK} /2 ⁸	93.8 kHz
	1	0	0	1	X	X	X	X	f _{CLK} /2 ⁹	46.9 kHz
	1	0	1	0	X	X	X	X	f _{CLK} /2 ¹⁰	23.4 kHz
	1	0	1	1	X	X	X	X	f _{CLK} /2 ¹¹	11.7 kHz
	1	1	0	0	X	X	X	X	f _{CLK} /2 ¹²	5.86 kHz
	1	1	0	1	X	X	X	X	f _{CLK} /2 ¹³	2.93 kHz
	1	1	1	0	X	X	X	X	f _{CLK} /2 ¹⁴	1.46 kHz
1	1	1	1	X	X	X	X	f _{CLK} /2 ¹⁵	732 Hz	
Other than above									Setting prohibited	

Note When changing the clock selected for f_{CLK} (by changing the system clock control register (CKC) value), do so after having stopped (serial channel stop register m (STm) = 000FH) the operation of the serial array unit (SAU).

Remarks 1. X: Don't care

2. m: Unit number (m = 0), n: Channel number (n = 0, 1), mn = 00, 01

12.5.9 Procedure for processing errors that occurred during 3-wire serial I/O (CSI00, CSI01) communication

The procedure for processing errors that occurred during 3-wire serial I/O (CSI00, CSI01) communication is described in Figure 12-73.

Figure 12-73. Processing Procedure in Case of Overrun Error

Software Manipulation	Hardware Status	Remark
Reads serial data register mn (SDRmn).	→ The BFFmn bit of the SSRmn register is set to 0 and channel n is enabled to receive data.	This is to prevent an overrun error if the next reception is completed during error processing.
Reads serial status register mn (SSRmn).		Error type is identified and the read value is used to clear error flag.
Writes 1 to serial flag clear trigger register mn (SIRmn).	→ Error flag is cleared.	Error can be cleared only during reading, by writing the value read from the SSRmn register to the SIRmn register without modification.

Remark m: Unit number (m = 0), n: Channel number (n = 0, 1), mn = 00, 01

12.6 Operation of UART (UART0) Communication

This is a start-stop synchronization function using two lines: serial data transmission (TxD) and serial data reception (RxD) lines. By using these two communication lines, each data frame, which consist of a start bit, data, parity bit, and stop bit, is transferred asynchronously (using the internal baud rate) between the microcontroller and the other communication party. Full-duplex UART communication can be performed by using a channel dedicated to transmission (even-numbered channel) and a channel dedicated to reception (odd-numbered channel). The LIN-bus can be implemented by using timer array unit with an external interrupt (INTP0).

[Data transmission/reception]

- Data length of 7, 8, or 9 bits
- Select the MSB/LSB first
- Level setting of transmit/receive data (selecting whether to reverse the level)
- Parity bit appending and parity check functions
- Stop bit appending, stop bit check function

[Interrupt function]

- Transfer end interrupt/buffer empty interrupt
- Error interrupt in case of framing error, parity error, or overrun error

[Error detection flag]

- Framing error, parity error, or overrun error

In addition, UART0 reception (channel 1) supports the SNOOZE mode. When RxD0 pin input is detected while in the STOP mode, the SNOOZE mode makes data reception that does not require the CPU possible.

The LIN-bus is accepted in UART0 (channels 0 and 1).

[LIN-bus functions]

- Wakeup signal detection
- Break field (BF) detection
- Sync field measurement, baud rate calculation



Using the external interrupt (INTP0) and timer array unit

UART0 uses channels 0 and 1.

Channel	Used as CSI	Used as UART
0	CSI00	UART0 (supporting LIN-bus)
1	CSI01	

Caution When using serial array unit as UARTs, the channels of both the transmitting side (even-number channel) and the receiving side (odd-number channel) can be used only as UARTs.

UART performs the following four types of communication operations.

- UART transmission (See 12.6.1.)
- UART reception (See 12.6.2.)
- LIN transmission (See 12.7.1.)
- LIN reception (See 12.7.2.)

12.6.1 UART transmission

UART transmission is an operation to transmit data from the RL78/L12 to another device asynchronously (start-stop synchronization).

Of two channels used for UART, the even channel is used for UART transmission.

UART	UART0
Target channel	Channel 0
Pins used	TxD0
Interrupt	INTST0
	Transfer end interrupt (in single-transfer mode) or buffer empty interrupt (in continuous transfer mode) can be selected.
Error detection flag	None
Transfer data length	7, 8, or 9 bits
Transfer rate	Max. $f_{MCK}/6$ [bps] (SDR _{mn} [15:9] = 2 or more), Min. $f_{CLK}/(2 \times 2^{15} \times 128)$ [bps] ^{Note}
Data phase	Non-reverse output (default: high level) Reverse output (default: low level)
Parity bit	The following selectable <ul style="list-style-type: none"> • No parity bit • Appending 0 parity • Appending even parity • Appending odd parity
Stop bit	The following selectable <ul style="list-style-type: none"> • Appending 1 bit • Appending 2 bits
Data direction	MSB or LSB first

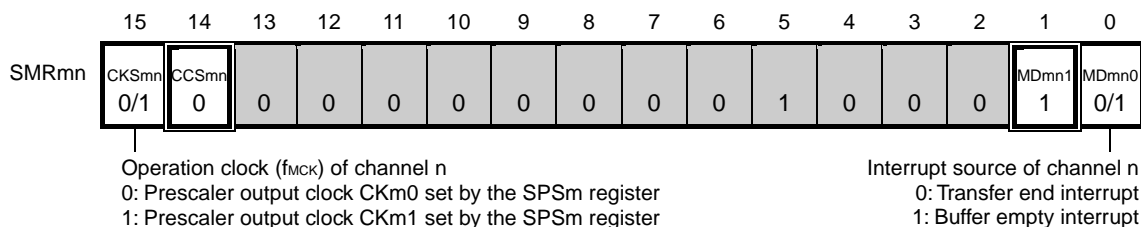
Note Use this operation within a range that satisfies the conditions above and the peripheral functions characteristics in the electrical specifications (see **CHAPTER 30 ELECTRICAL SPECIFICATIONS (A, G: T_A = -40 to +85°C)** and **CHAPTER 31 ELECTRICAL SPECIFICATIONS (G: T_A = -40 to +105°C)**).

- Remarks**
1. f_{MCK} : Operation clock frequency of target channel
 f_{CLK} : System clock frequency
 2. m: Unit number (m = 0), n: Channel number (n = 0), mn = 00

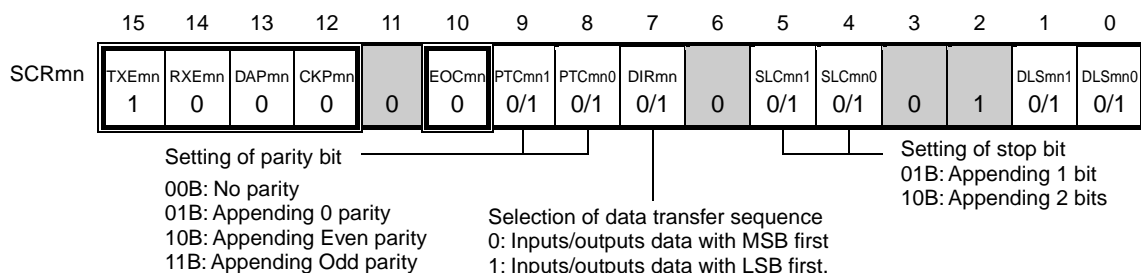
(1) Register setting

Figure 12-74. Example of Contents of Registers for UART Transmission of UART (UART0) (1/2)

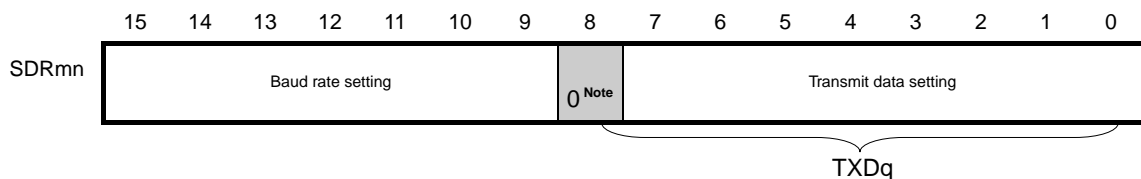
(a) Serial mode register mn (SMRmn)



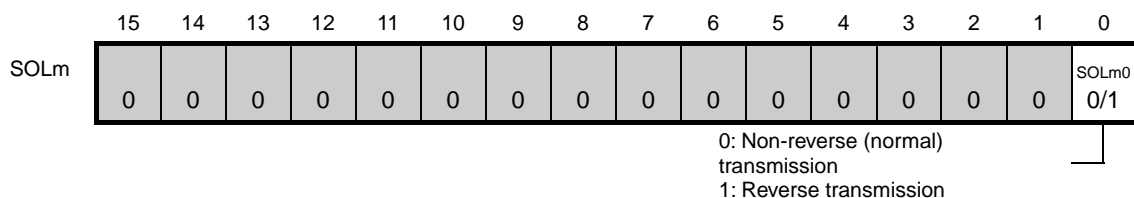
(b) Serial communication operation setting register mn (SCRmn)



(c) Serial data register mn (SDRmn) (lower 8 bits: TXDq)



(d) Serial output level register m (SOLm) ... Sets only the bits of the target channel.

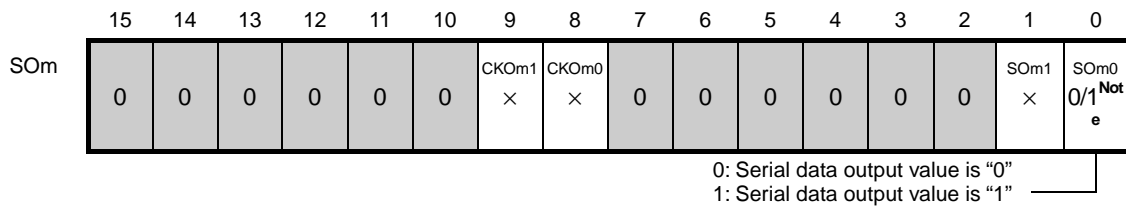


Note When UART0 performs 9-bit communication (by setting the DLS001 and DLS000 bits of the SCR00 register to 1), bits 0 to 8 of the SDR00 register are used as the transmission data specification area.

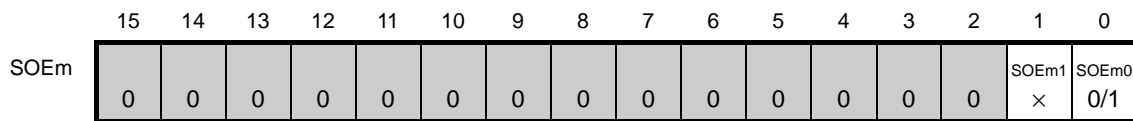
- Remarks**
1. m: Unit number (m = 0), n: Channel number (n = 0), q: UART number (q = 0), mn = 00
 2. □: Setting is fixed in the UART transmission mode, ■: Setting disabled (set to the initial value)
 ×: Bit that cannot be used in this mode (set to the initial value when not used in any mode)
 0/1: Set to 0 or 1 depending on the usage of the user

Figure 12-74. Example of Contents of Registers for UART Transmission of UART (UART0) (2/2)

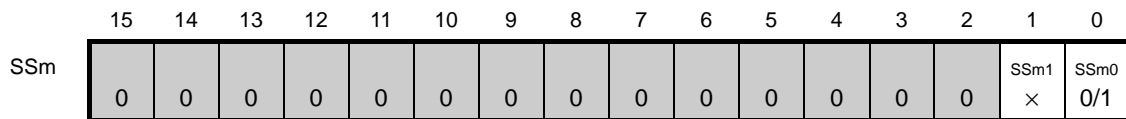
(e) Serial output register m (SOm) ... Sets only the bits of the target channel.



(f) Serial output enable register m (SOEm) ... Sets only the bits of the target channel to 1.



(g) Serial channel start register m (SSm) ... Sets only the bits of the target channel to 1.



Note Before transmission is started, be sure to set to 1 when the SOLm0 bit of the target channel is set to 0, and set to 0 when the SOLm0 bit of the target channel is set to 1. The value varies depending on the communication data during communication operation.

Remarks 1. m: Unit number (m = 0), n: Channel number (n = 0), mn = 00

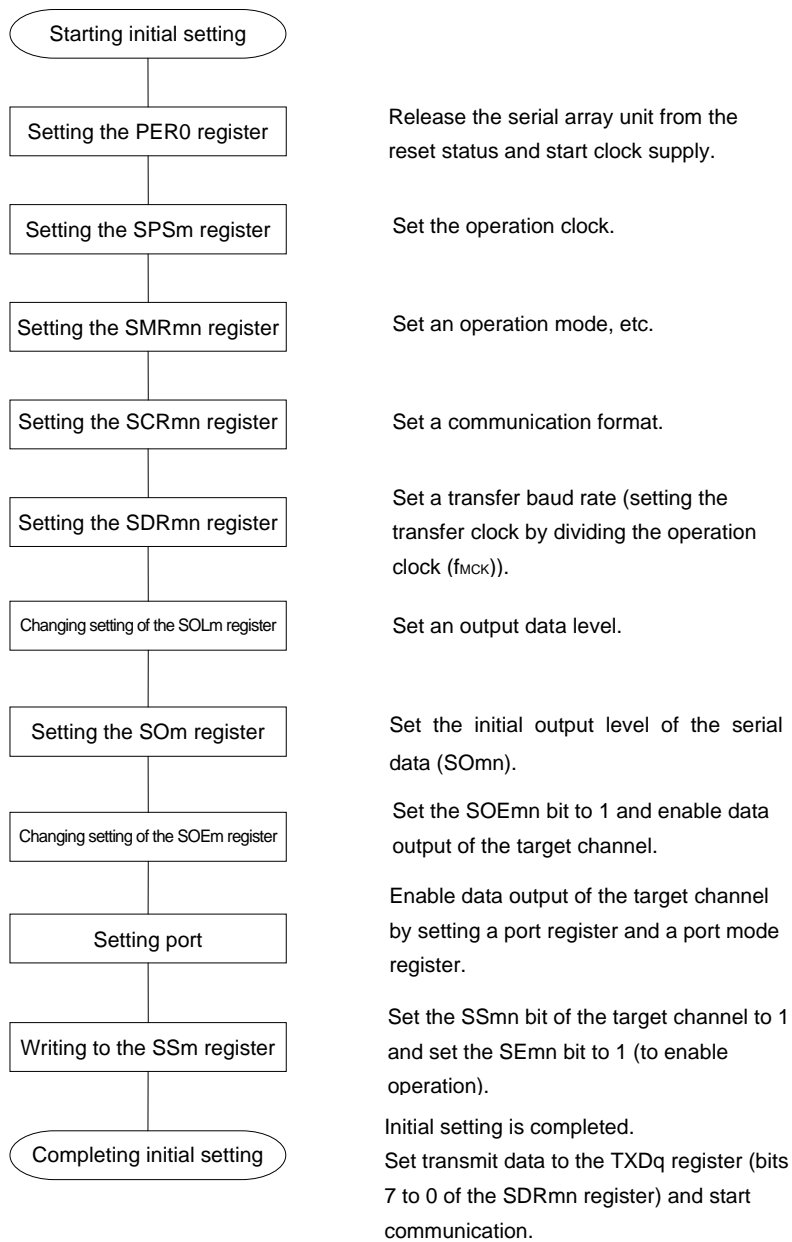
2. : Setting disabled (set to the initial value)

×: Bit that cannot be used in this mode (set to the initial value when not used in any mode)

0/1: Set to 0 or 1 depending on the usage of the user

(2) Operation procedure

Figure 12-75. Initial Setting Procedure for UART Transmission



<R>

Figure 12-76. Procedure for Stopping UART Transmission

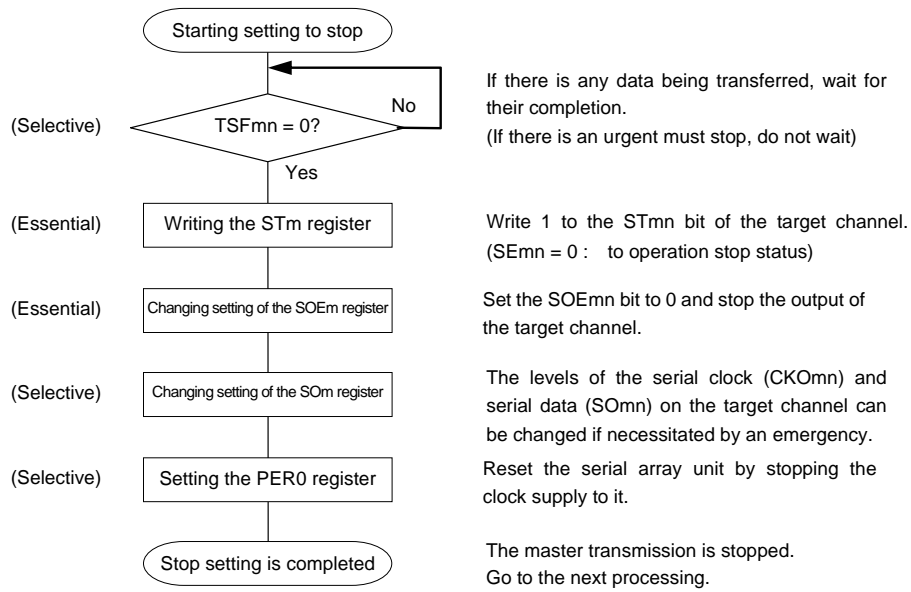
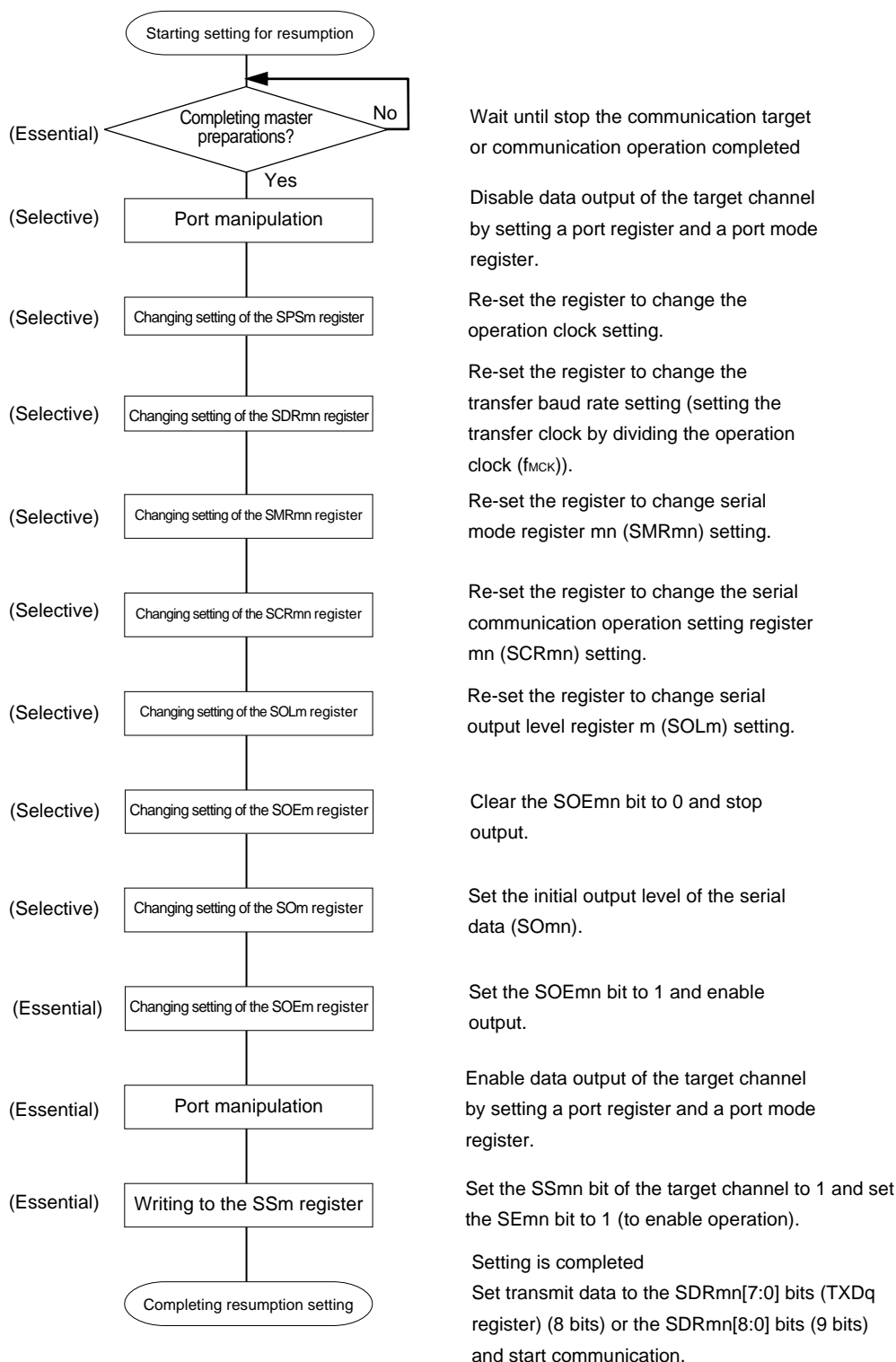


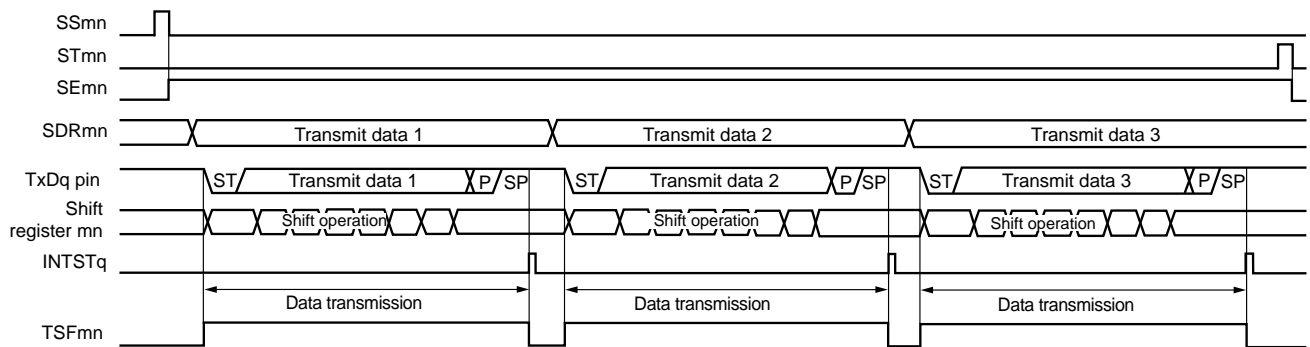
Figure 12-77. Procedure for Resuming UART Transmission



Remark If PER0 is rewritten while stopping the master transmission and the clock supply is stopped, wait until the transmission target stops or transmission finishes, and then perform initialization instead of restarting the transmission.

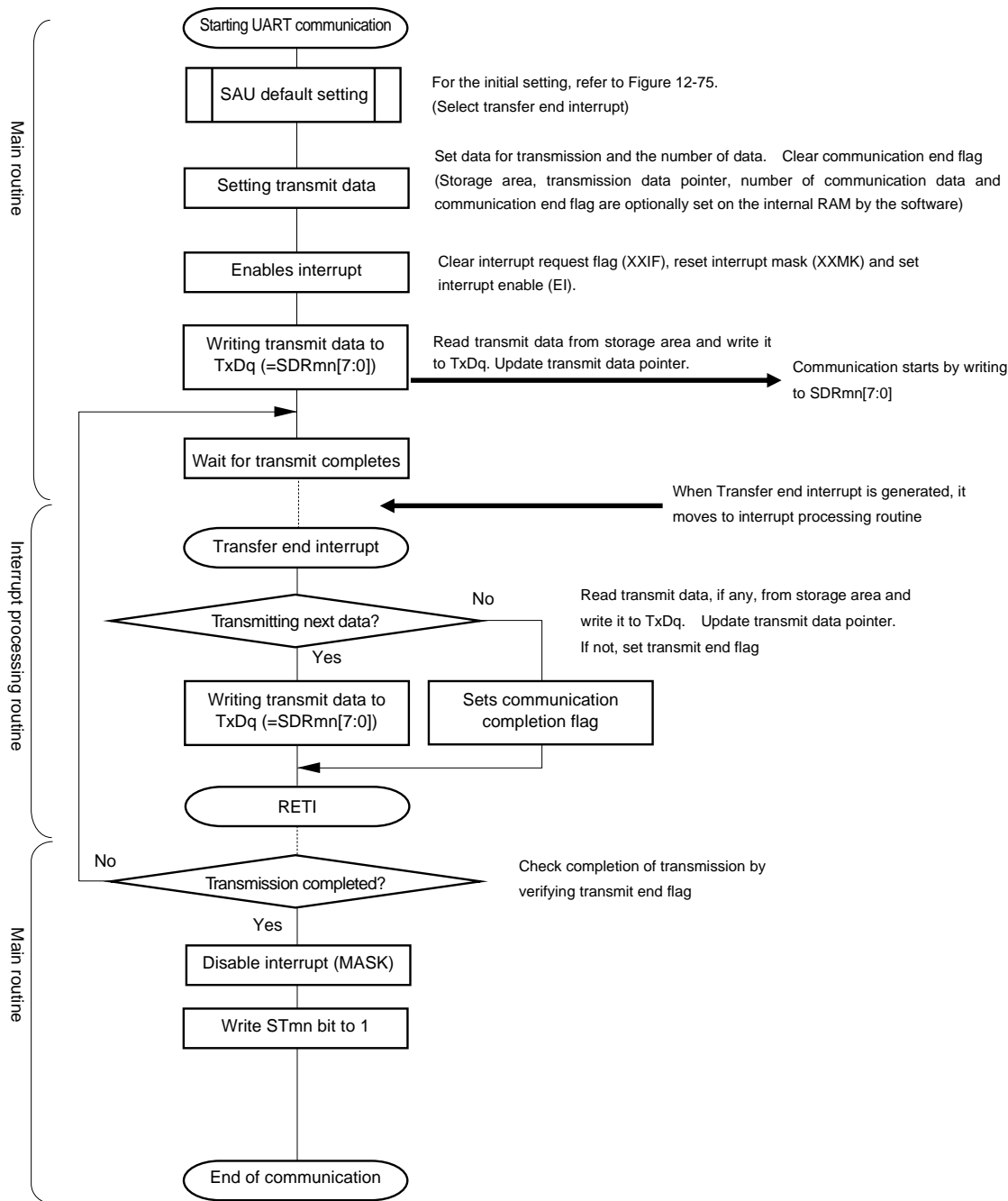
(3) Processing flow (in single-transmission mode)

Figure 12-78. Timing Chart of UART Transmission (in Single-Transmission Mode)



Remark m: Unit number (m = 0), n: Channel number (n = 0), q: UART number (q = 0)
 mn = 00

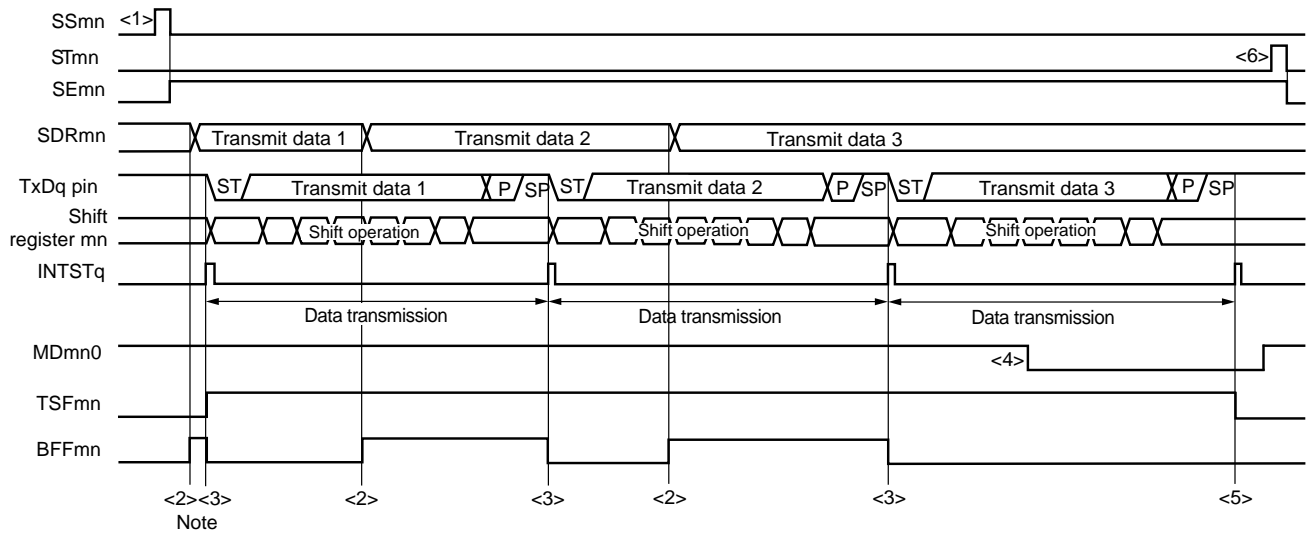
Figure 12-79. Flowchart of UART Transmission (in Single-Transmission Mode)



<R>

(4) Processing flow (in continuous transmission mode)

Figure 12-80. Timing Chart of UART Transmission (in Continuous Transmission Mode)

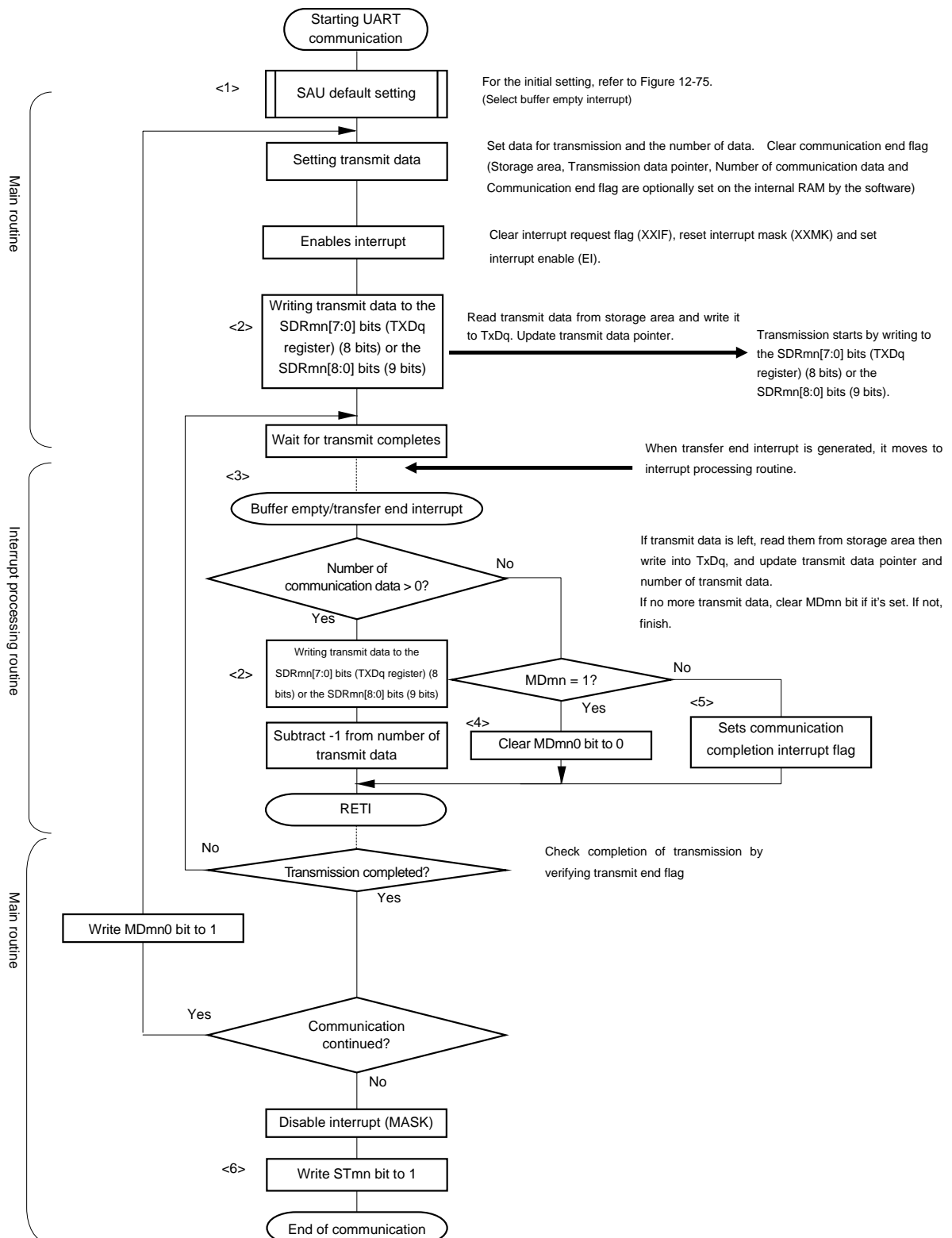


Note If transmit data is written to the SDRmn register while the BFFmn bit of serial status register mn (SSRmn) is 1 (valid data is stored in serial data register mn (SDRmn)), the transmit data is overwritten.

Caution The MDmn0 bit of serial mode register mn (SSRmn) can be rewritten even during operation. However, rewrite it before transfer of the last bit is started, so that it will be rewritten before the transfer end interrupt of the last transmit data.

Remark m: Unit number (m = 0), n: Channel number (n = 0), q: UART number (q = 0)
mn = 00

<R> **Figure 12-81. Flowchart of UART Transmission (in Continuous Transmission Mode)**



Remark <1> to <6> in the figure correspond to <1> to <6> in **Figure 12-80 Timing Chart of UART Transmission (in Continuous Transmission Mode)**.

12.6.2 UART reception

UART reception is an operation wherein the RL78/L12 asynchronously receives data from another device (start-stop synchronization).

For UART reception, the odd-number channel of the two channels used for UART is used. The SMR register of both the odd- and even-numbered channels must be set.

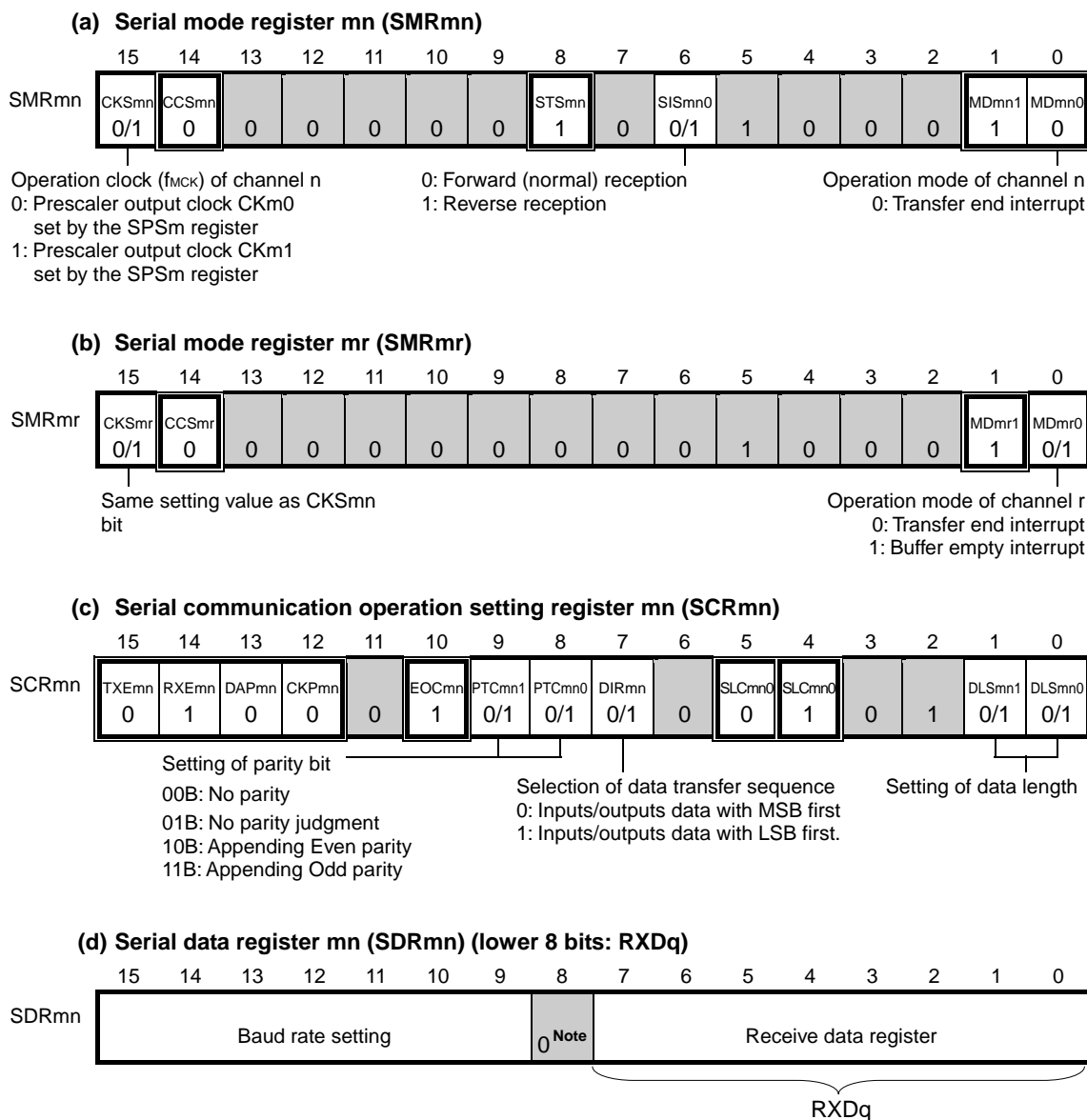
UART	UART0
Target channel	Channel 1
Pins used	RxD0
Interrupt	INTSR0
	Transfer end interrupt only (Setting the buffer empty interrupt is prohibited.)
Error interrupt	INTSRE0
Error detection flag	<ul style="list-style-type: none"> • Framing error detection flag (FEFmn) • Parity error detection flag (PEFmn) • Overrun error detection flag (OVFmn)
Transfer data length	7, 8 or 9 bits
Transfer rate	Max. $f_{MCK}/6$ [bps] (SDRmn [15:9] = 2 or more), Min. $f_{CLK}/(2 \times 2^{15} \times 128)$ [bps] ^{Note}
Data phase	Non-reverse output (default: high level) Reverse output (default: low level)
Parity bit	The following selectable <ul style="list-style-type: none"> • No parity bit (no parity check) • No parity judgment (0 parity) • Appending even parity • Appending odd parity
Stop bit	1 bit check
Data direction	MSB or LSB first

Note Use this operation within a range that satisfies the conditions above and the peripheral functions characteristics in the electrical specifications (see **CHAPTER 30 ELECTRICAL SPECIFICATIONS (A, G: T_A = -40 to +85°C)** and **CHAPTER 31 ELECTRICAL SPECIFICATIONS (G: T_A = -40 to +105°C)**).

- Remarks**
1. f_{MCK} : Operation clock frequency of target channel
 f_{CLK} : System clock frequency
 2. m: Unit number (m = 0), n: Channel number (n = 1), mn = 01

(1) Register setting

Figure 12-82. Example of Contents of Registers for UART Reception of UART (UART0) (1/2)



Note When UART performs 9-bit ecommunication, bits 0 to 8 of the SDRm1 register are used as the transmission data specification area.

Caution For the UART reception, be sure to set the SMRmr register of channel r to UART transmission mode that is to be paired with channel n.

- Remarks**
- m: Unit number (m = 0), n: Channel number (n = 1), mn = 01
 r: Channel number (r = n - 1), q: UART number (q = 0)
 - : Setting is fixed in the UART reception mode, ■: Setting disabled (set to the initial value)
 ×: Bit that cannot be used in this mode (set to the initial value when not used in any mode)
 0/1: Set to 0 or 1 depending on the usage of the user

Figure 12-82. Example of Contents of Registers for UART Reception of UART (UART0) (2/2)

(e) Serial output register m (SOm) ... The register that not used in this mode.

	15	14	13	12	11	10	9	8	7	6	5	4	3	2	1	0
SOm	0	0	0	0	0	0	CKOm1 ×	CKOm0 ×	0	0	0	0	0	0	SOm1 ×	SOm0 ×

(f) Serial output enable register m (SOEm) ...The register that not used in this mode.

	15	14	13	12	11	10	9	8	7	6	5	4	3	2	1	0
SOEm	0	0	0	0	0	0	0	0	0	0	0	0	0	0	SOEm1 ×	SOEm0 ×

(g) Serial channel start register m (SSm) ... Sets only the bits of the target channel is 1.

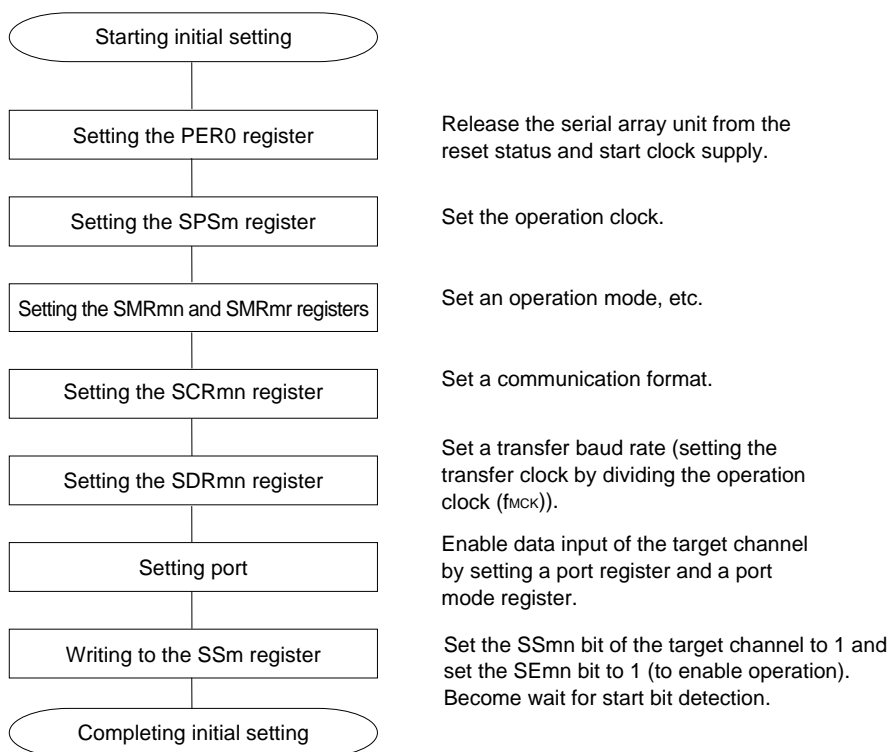
	15	14	13	12	11	10	9	8	7	6	5	4	3	2	1	0
SSm	0	0	0	0	0	0	0	0	0	0	0	0	0	0	SSm1 0/1	SSm0 ×

Caution For the UART reception, be sure to set the SMRmr register of channel r to UART Transmission mode that is to be paired with channel n.

- Remarks**
- m: Unit number (m = 0), n: Channel number (n = 1), mn = 01
r: Channel number (r = n - 1), q: UART number (q = 0)
 - : Setting is fixed in the UART reception mode, ■: Setting disabled (set to the initial value)
×: Bit that cannot be used in this mode (set to the initial value when not used in any mode)
0/1: Set to 0 or 1 depending on the usage of the user

(2) Operation procedure

Figure 12-83. Initial Setting Procedure for UART Reception



Caution Set the RXEmn bit of SCRmn register to 1, and then be sure to set SSmn to 1 after 4 or more fCLK clocks have elapsed.

Figure 12-84. Procedure for Stopping UART Reception

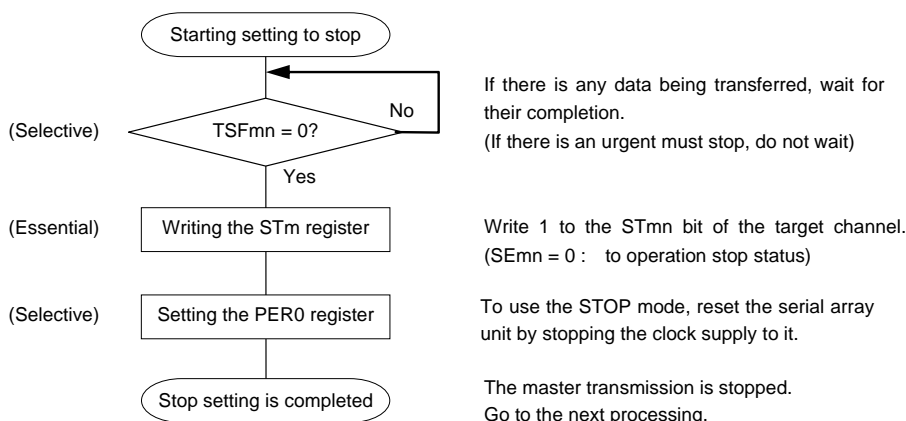
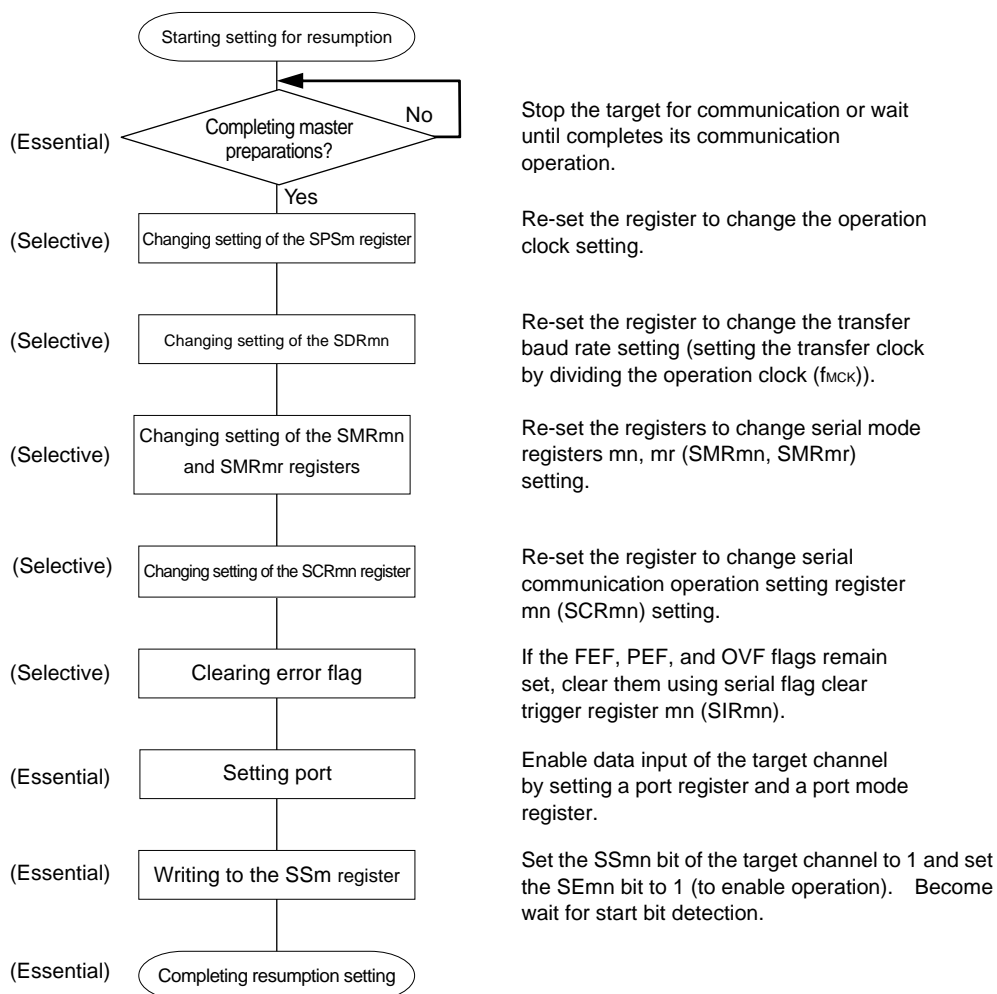


Figure 12-85. Procedure for Resuming UART Reception

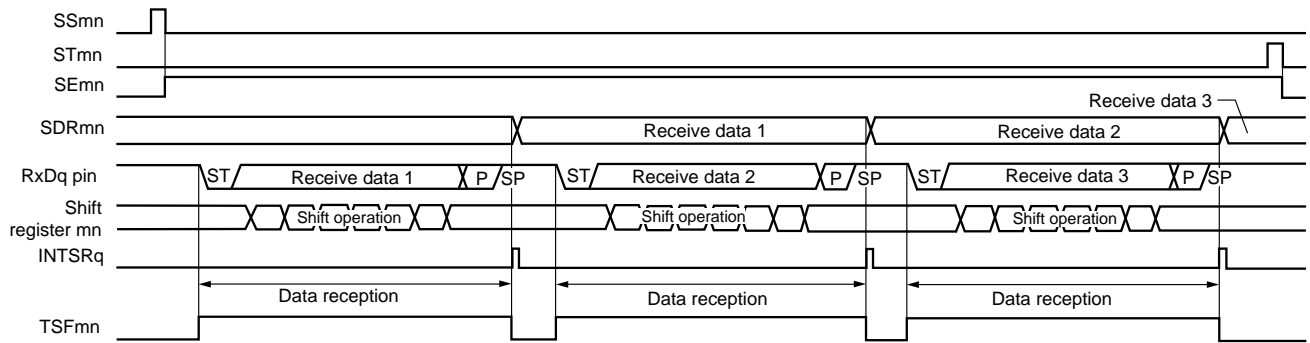


Caution After is set RXEmn bit to 1 of SCRmn register, set the SSmn = 1 from an interval of at least four clocks of fmck.

Remark If PER0 is rewritten while stopping the master transmission and the clock supply is stopped, wait until the transmission target stops or transmission finishes, and then perform initialization instead of restarting the transmission.

(3) Processing flow

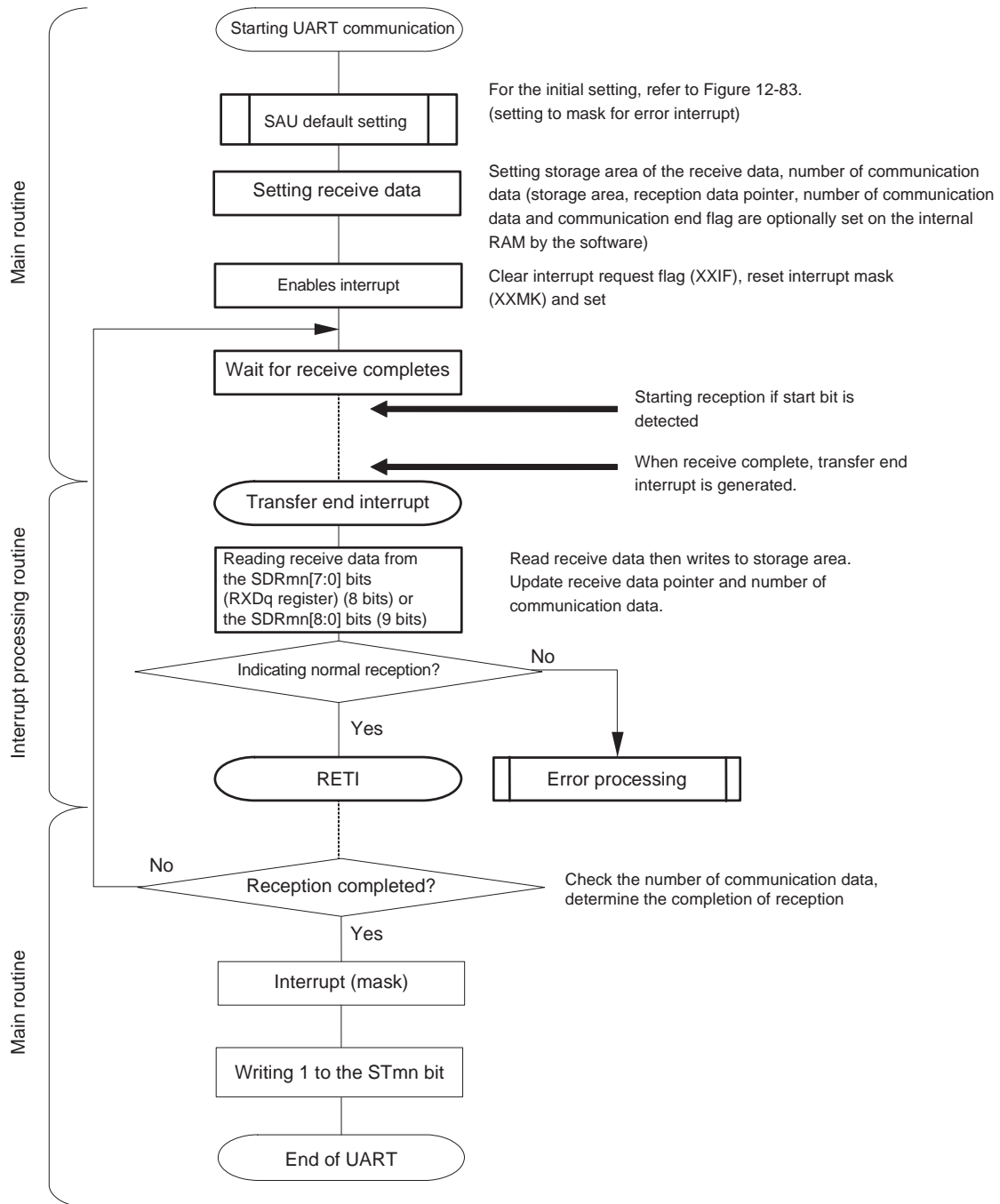
Figure 12-86. Timing Chart of UART Reception



Remark m: Unit number (m = 0), n: Channel number (n = 1), mn = 01
 r: Channel number (r = n - 1), q: UART number (q = 0)

<R>

Figure 12-87. Flowchart of UART Reception



<R> 12.6.3 SNOOZE mode function

The SNOOZE mode makes the UART perform reception operations upon RxDq pin input detection while in the STOP mode. Normally the UART stops communication in the STOP mode. However, using the SNOOZE mode enables the UART to perform reception operations without CPU operation upon detection of the RxDq pin input.

Only the following channel can be set to the SNOOZE mode.

UART0

When using UARTq in the SNOOZE mode, make the following settings before entering the STOP mode. (See **Figure 12-90 Flowchart of SNOOZE Mode Operation (EOCm1 = 0, SSECM = 0/1 or EOCm1 = 1, SSECM = 0)** and **Figure 12-92 Flowchart of SNOOZE Mode Operation (EOCm1 = 1, SSECM = 1).**)

- In the SNOOZE mode, the baud rate setting for UART reception needs to be changed to a value different from that in normal operation. Set the SPSm register and bits 15 to 9 of the SDRmn register with reference to Table 12-3.
- Set the EOCmn and SSECMn bits. This is for enabling or stopping generation of an error interrupt (INTSRE0) when a communication error occurs.
- When using the SNOOZE mode function, set the SWCm bit of serial standby control register m (SSCm) to 1 just before switching to the STOP mode. After the initial setting has completed, set the SSm1 bit of serial channel start register m (SSm) to 1.

Upon detecting the edge of RxDq (start bit input) after a transition was made to the STOP mode, UART reception is started.

- Cautions 1. The SNOOZE mode can only be used when the high-speed on-chip oscillator clock (f_{IH}) is selected for f_{CLK}.**
- 2. The transfer rate in the SNOOZE mode is only 4800 bps.**
 - 3. When SWCm = 1, UARTq can be used only when the reception operation is started in the STOP mode. When used simultaneously with another SNOOZE mode function or interrupt, if the reception operation is started in a state other than the STOP mode, such as those given below, data may not be received correctly and a framing error or parity error may be generated.**
 - **When after the SWCm bit has been set to 1, the reception operation is started before the STOP mode is entered**
 - **When the reception operation is started while another function is in the SNOOZE mode**
 - **When after returning from the STOP mode to normal operation due to an interrupt or other cause, the reception operation is started before the SWCm bit is returned to 0**
 - 4. If a parity error, framing error, or overrun error occurs while the SSECM bit is set to 1, the PEFmn, FEFmn, or OVFMn flag is not set and an error interrupt (INTSREq) is not generated. Therefore, when the setting of SSECM = 1 is made, clear the PEFmn, FEFmn, or OVFMn flag before setting the SWC0 bit to 1 and read the value in bits 7 to 0 (RxDq register) of the SDRm1 register.**

<R>

Table 12-3. Baud Rate Setting for UART Reception in SNOOZE Mode

High-speed On-chip Oscillator (f_{IH})	Baud Rate for UART Reception in SNOOZE Mode			
	Baud Rate of 4800 bps			
	Operation Clock (f_{MCK})	SDRmn[15:9]	Maximum Permissible Value	Minimum Permissible Value
32 MHz \pm 1.0% ^{Note}	$f_{CLK}/2^5$	105	2.27%	-1.53%
24 MHz \pm 1.0% ^{Note}	$f_{CLK}/2^5$	79	1.60%	-2.18%
16 MHz \pm 1.0% ^{Note}	$f_{CLK}/2^4$	105	2.27%	-1.53%
12 MHz \pm 1.0% ^{Note}	$f_{CLK}/2^4$	79	1.60%	-2.19%
8 MHz \pm 1.0% ^{Note}	$f_{CLK}/2^3$	105	2.27%	-1.53%
6 MHz \pm 1.0% ^{Note}	$f_{CLK}/2^3$	79	1.60%	-2.19%
4 MHz \pm 1.0% ^{Note}	$f_{CLK}/2^2$	105	2.27%	-1.53%
3 MHz \pm 1.0% ^{Note}	$f_{CLK}/2^2$	79	1.60%	-2.19%
2 MHz \pm 1.0% ^{Note}	$f_{CLK}/2$	105	2.27%	-1.54%
1 MHz \pm 1.0% ^{Note}	f_{CLK}	105	2.27%	-1.57%

Note When the accuracy of the clock frequency of the high-speed on-chip oscillator is $\pm 1.5\%$ or $\pm 2.0\%$, the permissible range becomes smaller as shown below.

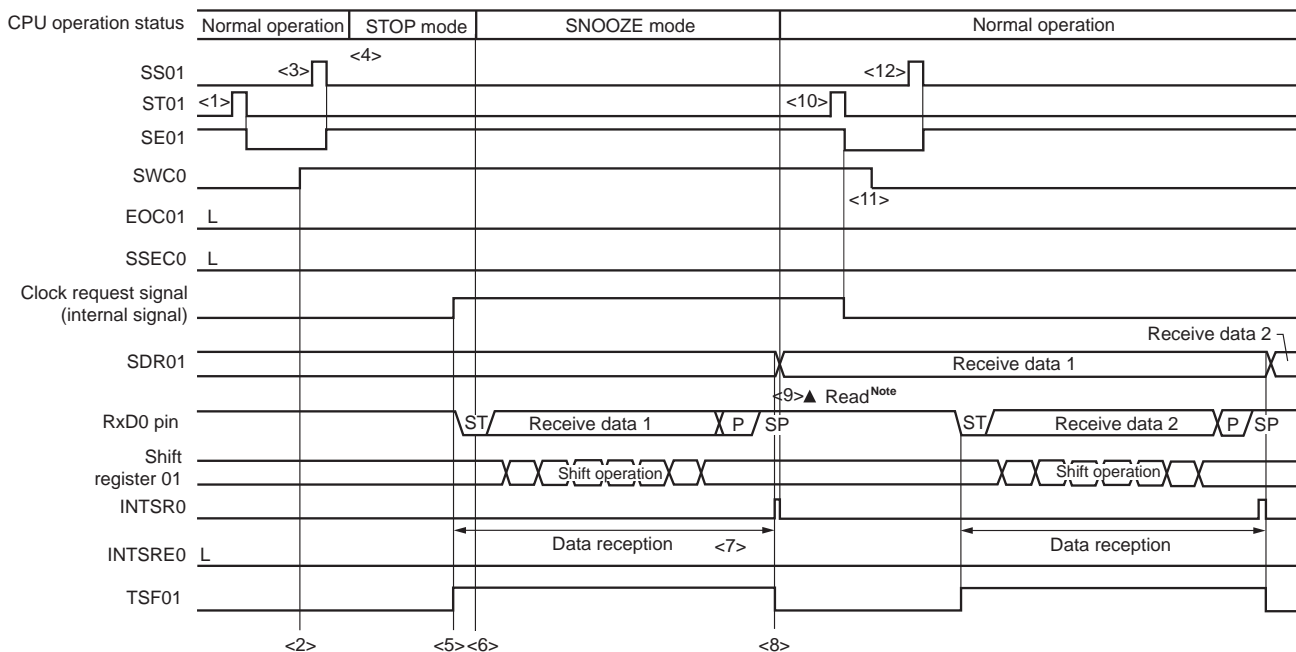
- In the case of $f_{IH} \pm 1.5\%$, perform (Maximum permissible value - 0.5%) and (Minimum permissible value + 0.5%) to the values in the above table.
- In the case of $f_{IH} \pm 2.0\%$, perform (Maximum permissible value - 1.0%) and (Minimum permissible value + 1.0%) to the values in the above table.

Remark The maximum permissible value and minimum permissible value are permissible values for the baud rate in UART reception. The baud rate on the transmitting side should be set to fall inside this range.

<R> (1) SNOOZE mode operation (EOCm1 = 0, SSECm = 0/1)

Because of the setting of EOCm1 = 0, even though a communication error occurs, an error interrupt (INTSREq) is not generated, regardless of the setting of the SSECm bit. A transfer end interrupt (INTSRq) will be generated.

Figure 12-88. Timing Chart of SNOOZE Mode Operation (EOCm1 = 0, SSECm = 0/1)



Note Read the received data when SWCm = 1.

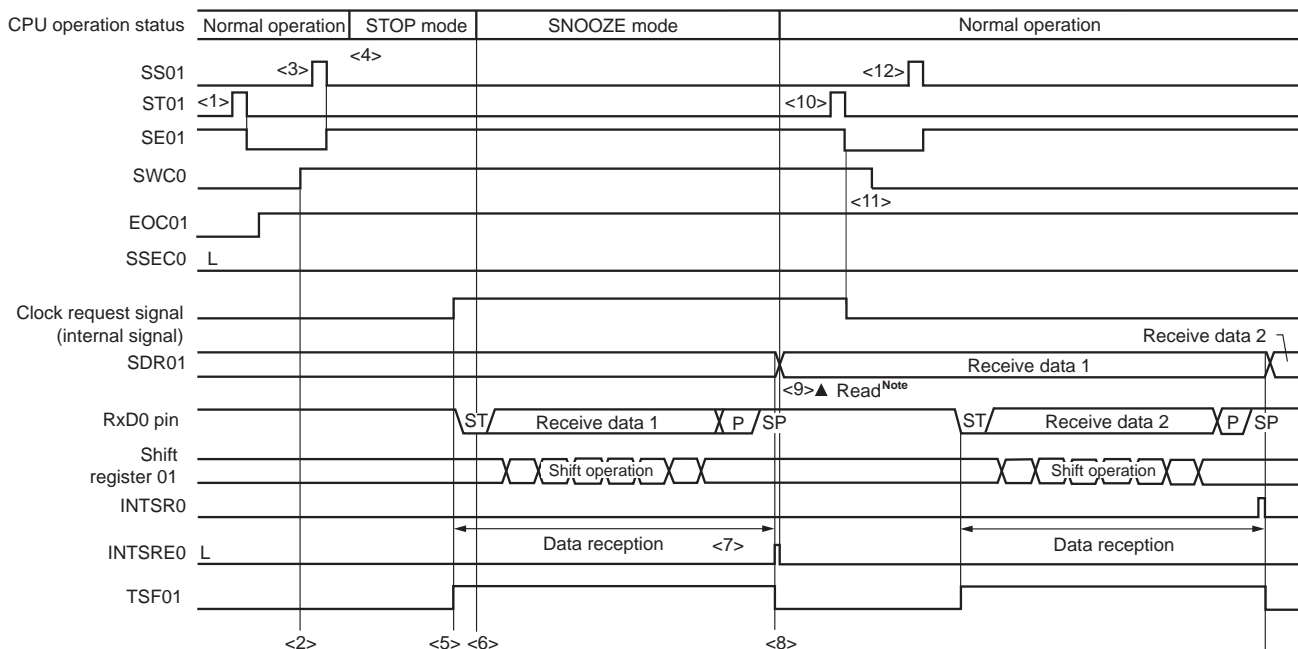
Caution Before switching to the SNOOZE mode or after reception operation in the SNOOZE mode finishes, set the STm1 bit to 1 (clear the SEm1 bit and stop the operation). After the receive operation completes, also clear the SWCm bit to 0 (SNOOZE mode release).

Remarks 1. <1> to <12> in the figure correspond to <1> to <12> in Figure 12-90 Flowchart of SNOOZE Mode Operation (EOCm1 = 0, SSECm = 0/1 or EOCm1 = 1, SSECm = 0).
 2. m = 0; q = 0

<R> (2) SNOOZE mode operation (EOCm1 = 1, SSECm = 0: Error interrupt (INTSREq) generation is enabled)

Because EOCm1 = 1 and SSECm = 0, an error interrupt (INTSREq) is generated when a communication error occurs.

Figure 12-89. Timing Chart of SNOOZE Mode Operation (EOCm1 = 1, SSECm = 0)

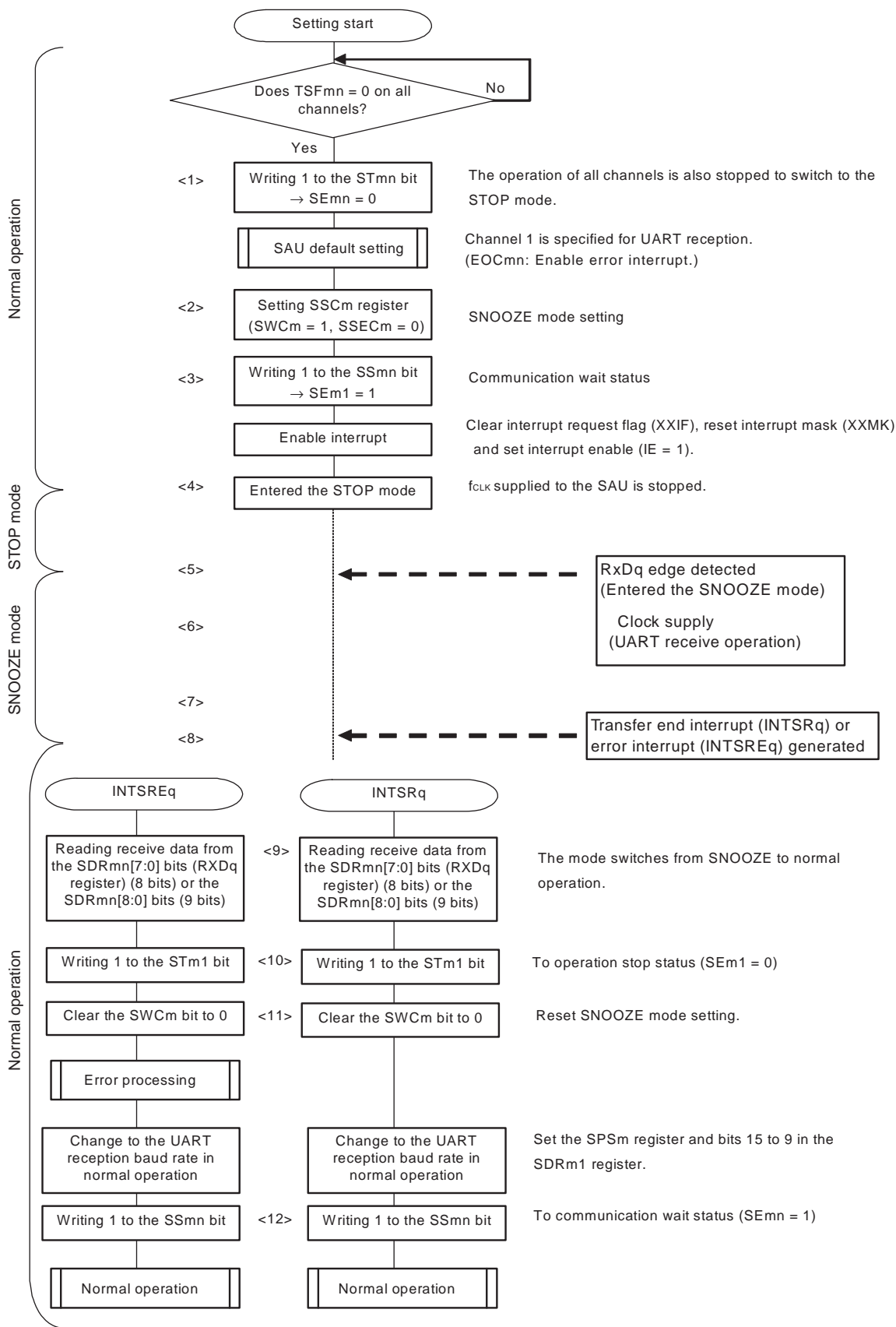


Note Read the received data when SWCm = 1.

Caution Before switching to the SNOOZE mode or after reception operation in the SNOOZE mode finishes, set the STm1 bit to 1 (clear the SEm1 bit and stop the operation). After the receive operation completes, also clear the SWCm bit to 0 (SNOOZE mode release).

Remarks 1. <1> to <12> in the figure correspond to <1> to <12> in Figure 12-90 Flowchart of SNOOZE Mode Operation (EOCm1 = 0, SSECm = 0/1 or EOCm1 = 1, SSECm = 0).
 2. m = 0; q = 0

<R> Figure 12-90. Flowchart of SNOOZE Mode Operation (EOCm1 = 0, SSECm = 0/1 or EOCm1 = 1, SSECm = 0)



(Remarks are listed on the next page.)

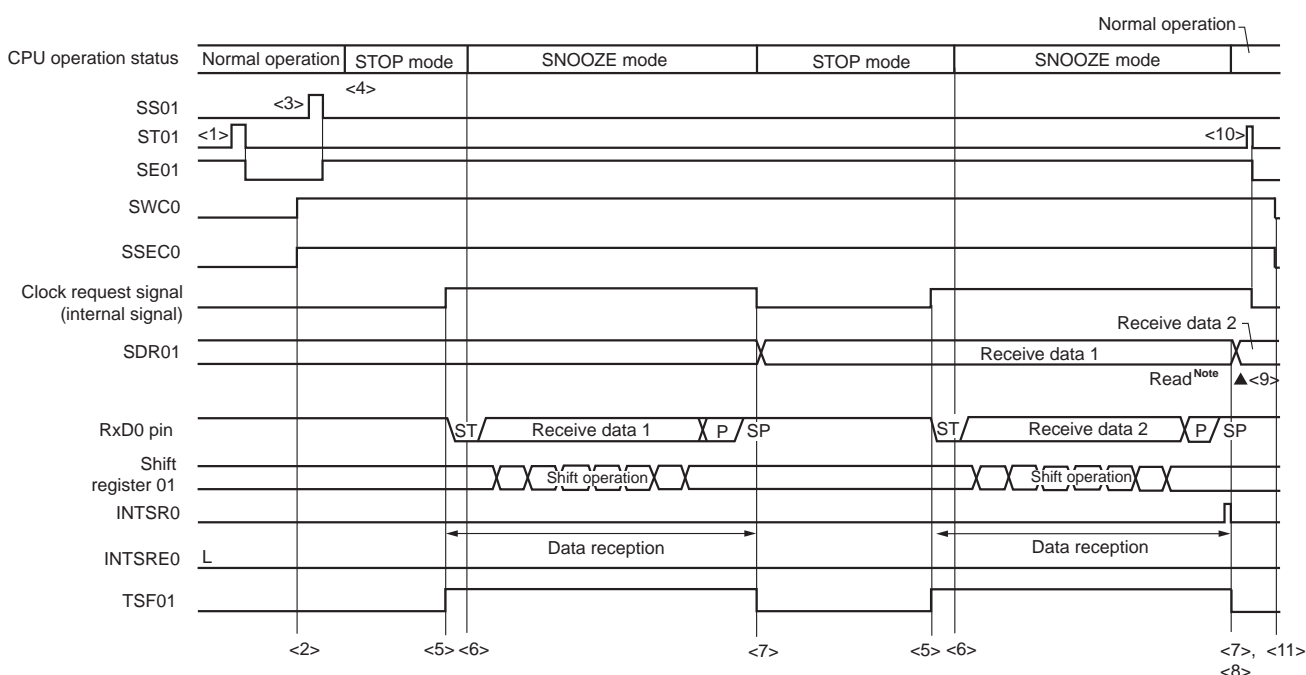
Remarks 1. <1> to <12> in the figure correspond to <1> to <12> in **Figure 12-88 Timing Chart of SNOOZE Mode Operation (EOCm1 = 0, SSECM = 0/1)** and **Figure 12-89 Timing Chart of SNOOZE Mode Operation (EOCm1 = 1, SSECM = 0)**.

2. m = 0; q = 0

<R> **(3) SNOOZE mode operation (EOCm1 = 1, SSECM = 1: Error interrupt (INTSREq) generation is stopped)**

Because EOCm1 = 1 and SSECM = 1, an error interrupt (INTSREq) is not generated when a communication error occurs.

Figure 12-91. Timing Chart of SNOOZE Mode Operation (EOCm1 = 1, SSECM = 1)



Note Read the received data when SWCm = 1.

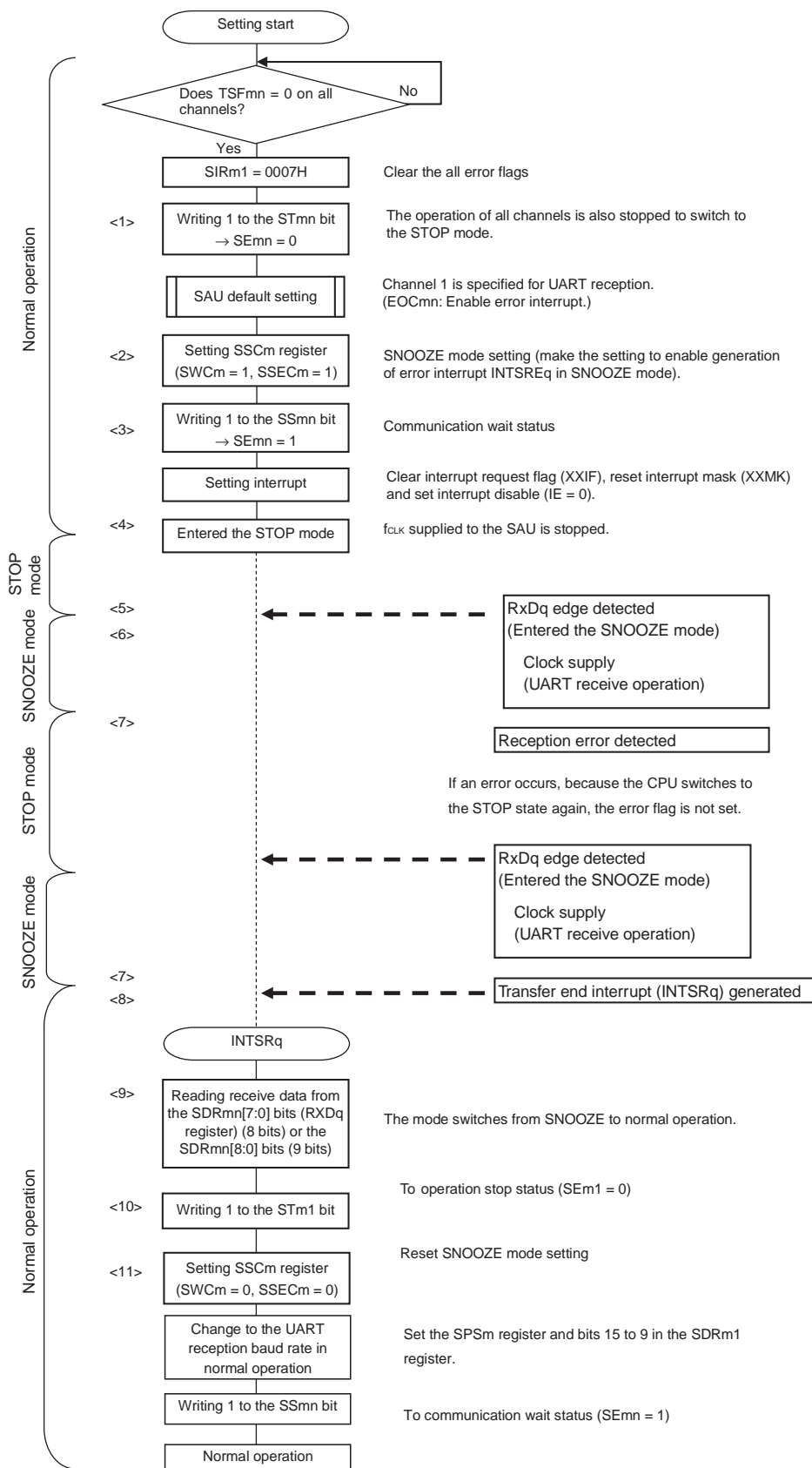
- Cautions 1.** Before switching to the SNOOZE mode or after reception operation in the SNOOZE mode finishes, set the STm1 bit to 1 (clear the SEM1 bit and stop the operation). After the receive operation completes, also clear the SWCm bit to 0 (SNOOZE mode release).
2. If a parity error, framing error, or overrun error occurs while the SSECM bit is set to 1, the PEFm1, FEFm1, or OVFM1 flag is not set and an error interrupt (INTSREq) is not generated. Therefore, when the setting of SSECM = 1 is made, clear the PEFm1, FEFm1, or OVFM1 flag before setting the SWCm bit to 1 and read the value in SDRm1[7:0] (RxDq register) (8 bits) or SDRm1[8:0] (9 bits).

Remarks 1. <1> to <11> in the figure correspond to <1> to <11> in **Figure 12-92 Flowchart of SNOOZE Mode Operation (EOCm1 = 1, SSECM = 1)**.

2. m = 0; q = 0

<R>

Figure 12-92. Flowchart of SNOOZE Mode Operation (EOCm1 = 1, SSECm = 1)



(Caution and Remarks are listed on the next page.)

Caution If a parity error, framing error, or overrun error occurs while the SSECm bit is set to 1, the PEFm1, FEFm1, or OVFM1 flag is not set and an error interrupt (INTSREq) is not generated. Therefore, when the setting of SSECm = 1 is made, clear the PEFm1, FEFm1, or OVFM1 flag before setting the SWCm bit to 1 and read the value in SDRm1[7:0] (RxDq register) (8 bits) or SDRm1[8:0] (9 bits).

Remarks 1. <1> to <11> in the figure correspond to <1> to <11> in **Figure 12-91 Timing Chart of SNOOZE Mode Operation (EOCm1 = 1, SSECm = 1)**.
2. m = 0; q = 0

12.6.4 Calculating baud rate

(1) Baud rate calculation expression

The baud rate for UART (UART0) communication can be calculated by the following expressions.

$$\text{(Baud rate)} = \{\text{Operation clock (f}_{\text{MCK}}\text{) frequency of target channel}\} \div (\text{SDRmn}[15:9] + 1) \div 2 \text{ [bps]}$$

Caution Setting serial data register mn (SDRmn) SDRmn[15:9] = (0000000B, 0000001B) is prohibited.

Remarks 1. When UART is used, the value of SDRmn[15:9] is the value of bits 15 to 9 of the SDRmn register (0000010B to 1111111B) and therefore is 2 to 127.

2. m: Unit number (m = 0), n: Channel number (n = 0, 1), mn = 00, 01

The operation clock (f_{MCK}) is determined by serial clock select register m (SPSm) and bit 15 (CKSmn) of serial mode register mn (SMRmn).

Table 12-4. Selection of Operation Clock For UART

SMRmn Register	SPSm Register								Operation Clock (f _{CLK}) ^{Note}	
	CKSmn	PRSm13	PRSm12	PRSm11	PRSm10	PRSm03	PRSm02	PRSm01	PRSm00	f _{CLK} = 24 MHz
0	X	X	X	X	0	0	0	0	f _{CLK}	24 MHz
	X	X	X	X	0	0	0	1	f _{CLK} /2	12 MHz
	X	X	X	X	0	0	1	0	f _{CLK} /2 ²	6 MHz
	X	X	X	X	0	0	1	1	f _{CLK} /2 ³	3 MHz
	X	X	X	X	0	1	0	0	f _{CLK} /2 ⁴	1.5 MHz
	X	X	X	X	0	1	0	1	f _{CLK} /2 ⁵	750 kHz
	X	X	X	X	0	1	1	0	f _{CLK} /2 ⁶	375 kHz
	X	X	X	X	0	1	1	1	f _{CLK} /2 ⁷	187.5 kHz
	X	X	X	X	1	0	0	0	f _{CLK} /2 ⁸	93.8 kHz
	X	X	X	X	1	0	0	1	f _{CLK} /2 ⁹	46.9 kHz
	X	X	X	X	1	0	1	0	f _{CLK} /2 ¹⁰	23.4 kHz
	X	X	X	X	1	0	1	1	f _{CLK} /2 ¹¹	11.7 kHz
	X	X	X	X	1	1	0	0	f _{CLK} /2 ¹²	5.86 kHz
	X	X	X	X	1	1	0	1	f _{CLK} /2 ¹³	2.93 kHz
	X	X	X	X	1	1	1	0	f _{CLK} /2 ¹⁴	1.46 kHz
X	X	X	X	1	1	1	1	f _{CLK} /2 ¹⁵	732 Hz	
1	0	0	0	0	X	X	X	X	f _{CLK}	24 MHz
	0	0	0	1	X	X	X	X	f _{CLK} /2	12 MHz
	0	0	1	0	X	X	X	X	f _{CLK} /2 ²	6 MHz
	0	0	1	1	X	X	X	X	f _{CLK} /2 ³	3 MHz
	0	1	0	0	X	X	X	X	f _{CLK} /2 ⁴	1.5 MHz
	0	1	0	1	X	X	X	X	f _{CLK} /2 ⁵	750 kHz
	0	1	1	0	X	X	X	X	f _{CLK} /2 ⁶	375 kHz
	0	1	1	1	X	X	X	X	f _{CLK} /2 ⁷	187.5 kHz
	1	0	0	0	X	X	X	X	f _{CLK} /2 ⁸	93.8 kHz
	1	0	0	1	X	X	X	X	f _{CLK} /2 ⁹	46.9 kHz
	1	0	1	0	X	X	X	X	f _{CLK} /2 ¹⁰	23.4 kHz
	1	0	1	1	X	X	X	X	f _{CLK} /2 ¹¹	11.7 kHz
	1	1	0	0	X	X	X	X	f _{CLK} /2 ¹²	5.86 kHz
	1	1	0	1	X	X	X	X	f _{CLK} /2 ¹³	2.93 kHz
	1	1	1	0	X	X	X	X	f _{CLK} /2 ¹⁴	1.46 kHz
1	1	1	1	X	X	X	X	f _{CLK} /2 ¹⁵	732 Hz	
Other than above									Setting prohibited	

Note When changing the clock selected for f_{CLK} (by changing the system clock control register (CKC) value), do so after having stopped (serial channel stop register m (STm) = 000FH) the operation of the serial array unit (SAU).

Remarks 1. X: Don't care

2. m: Unit number (m = 0), n: Channel number (n = 0, 1), mn = 00, 01

(2) Baud rate error during transmission

The baud rate error of UART (UART0) communication during transmission can be calculated by the following expression. Make sure that the baud rate at the transmission side is within the permissible baud rate range at the reception side.

$$(\text{Baud rate error}) = (\text{Calculated baud rate value}) \div (\text{Target baud rate}) \times 100 - 100 [\%]$$

Here is an example of setting a UART baud rate at $f_{\text{CLK}} = 24 \text{ MHz}$.

UART Baud Rate (Target Baud Rate)	$f_{\text{CLK}} = 24 \text{ MHz}$			
	Operation Clock (f_{MCK})	SDRmn[15:9]	Calculated Baud Rate	Error from Target Baud Rate
300 bps	$f_{\text{CLK}}/2^9$	77	300.48 bps	+0.16 %
600 bps	$f_{\text{CLK}}/2^8$	77	600.96 bps	+0.16 %
1200 bps	$f_{\text{CLK}}/2^7$	77	1201.92 bps	+0.16 %
2400 bps	$f_{\text{CLK}}/2^6$	77	2403.85 bps	+0.16 %
4800 bps	$f_{\text{CLK}}/2^5$	77	4807.69 bps	+0.16 %
9600 bps	$f_{\text{CLK}}/2^4$	77	9615.38 bps	+0.16 %
19200 bps	$f_{\text{CLK}}/2^3$	77	19230.8 bps	+0.16 %
31250 bps	$f_{\text{CLK}}/2^3$	47	31250.0 bps	± 0.0 %
38400 bps	$f_{\text{CLK}}/2^2$	77	38461.5 bps	+0.16 %
76800 bps	$f_{\text{CLK}}/2$	77	76923.1 bps	+0.16 %
153600 bps	f_{CLK}	77	153846 bps	+0.16 %
312500 bps	f_{CLK}	37	315789 bps	± 1.05 %

Remark m: Unit number (m = 0), n: Channel number (n = 0), mn = 00

(3) Permissible baud rate range for reception

The permissible baud rate range for reception during UART (UART0) communication can be calculated by the following expression. Make sure that the baud rate at the transmission side is within the permissible baud rate range at the reception side.

$$\text{(Maximum receivable baud rate)} = \frac{2 \times k \times \text{Nfr}}{2 \times k \times \text{Nfr} - k + 2} \times \text{Brate}$$

$$\text{(Minimum receivable baud rate)} = \frac{2 \times k \times (\text{Nfr} - 1)}{2 \times k \times \text{Nfr} - k - 2} \times \text{Brate}$$

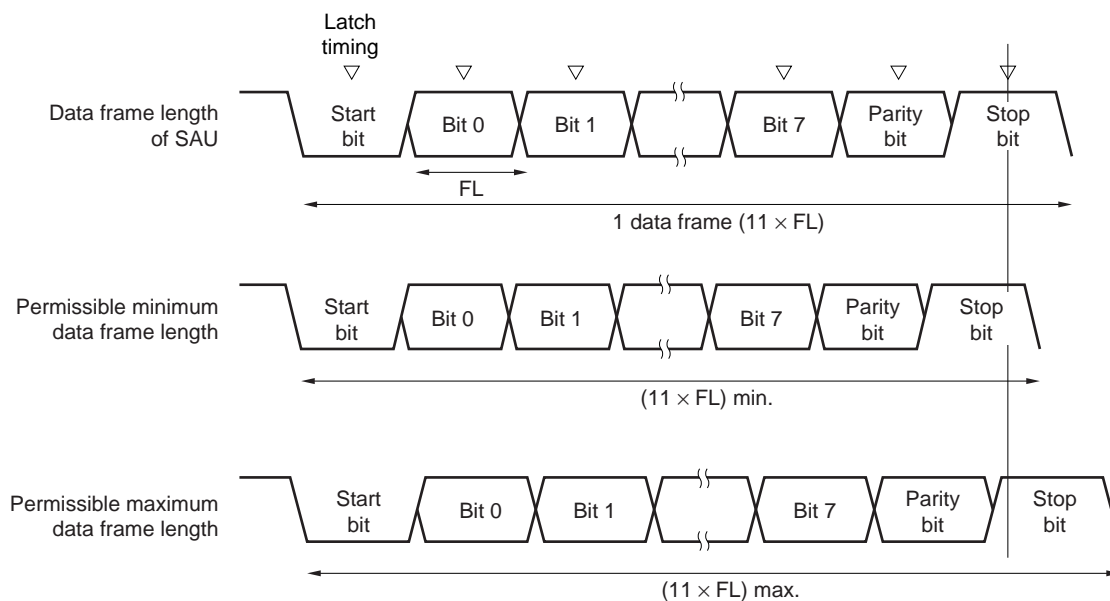
Brate: Calculated baud rate value at the reception side (See 12.6.4 (1) Baud rate calculation expression.)

k: SDRmn[15:9] + 1

Nfr: 1 data frame length [bits]
 = (Start bit) + (Data length) + (Parity bit) + (Stop bit)

Remark m: Unit number (m = 0), n: Channel number (n = 1), mn = 01

Figure 12-93. Permissible Baud Rate Range for Reception (1 Data Frame Length = 11 Bits)



As shown in Figure 12-93, the timing of latching receive data is determined by the division ratio set by bits 15 to 9 of serial data register mn (SDRmn) after the start bit is detected. If the last data (stop bit) is received before this latch timing, the data can be correctly received.

12.6.5 Procedure for processing errors that occurred during UART (UART0) communication

The procedure for processing errors that occurred during UART (UART0) communication is described in Figures 12-94 and 12-95.

Figure 12-94. Processing Procedure in Case of Parity Error or Overrun Error

Software Manipulation	Hardware Status	Remark
Reads serial data register mn (SDRmn).	→ The BFFmn bit of the SSRmn register is set to 0 and channel n is enabled to receive data.	This is to prevent an overrun error if the next reception is completed during error processing.
Reads serial status register mn (SSRmn).		Error type is identified and the read value is used to clear error flag.
Writes 1 to serial flag clear trigger register mn (SIRmn).	→ Error flag is cleared.	Error can be cleared only during reading, by writing the value read from the SSRmn register to the SIRmn register without modification.

Figure 12-95. Processing Procedure in Case of Framing Error

Software Manipulation	Hardware Status	Remark
Reads serial data register mn (SDRmn).	→ The BFFmn bit of the SSRmn register is set to 0 and channel n is enabled to receive data.	This is to prevent an overrun error if the next reception is completed during error processing.
Reads serial status register mn (SSRmn).		Error type is identified and the read value is used to clear error flag.
Writes serial flag clear trigger register mn (SIRmn).	→ Error flag is cleared.	Error can be cleared only during reading, by writing the value read from the SSRmn register to the SIRmn register without modification.
Sets the STmn bit of serial channel stop register m (STm) to 1.	→ The SEMn bit of serial channel enable status register m (SEm) is set to 0 and channel n stops operating.	
Synchronization with other party of communication		Synchronization with the other party of communication is re-established and communication is resumed because it is considered that a framing error has occurred because the start bit has been shifted.
Sets the SSmn bit of serial channel start register m (SSm) to 1.	→ The SEMn bit of serial channel enable status register m (SEm) is set to 1 and channel n is enabled to operate.	

Remark m: Unit number (m = 0), n: Channel number (n = 0, 1), mn = 00, 01

12.7 LIN Communication Operation

12.7.1 LIN transmission

UART0 transmission supports LIN communication.

For LIN transmission, channel 0 is used.

UART	UART0
Support of LIN communication	Supported
Target channel	Channel 0
Pins used	TxD0
Interrupt	INTST0
	Transfer end interrupt (in single-transfer mode) or buffer empty interrupt (in continuous transfer mode) can be selected.
Error detection flag	None
Transfer data length	8 bits
Transfer rate	Max. $f_{MCK}/6$ [bps] (SDR00 [15:9] = 2 or more), Min. $f_{CLK}/(2 \times 2^{15} \times 128)$ [bps] ^{Note}
Data phase	Non-reverse output (default: high level) Reverse output (default: low level)
Parity bit	No parity bit
Stop bit	Appending 1 bit
Data direction	LSB first

Note Use this operation within a range that satisfies the conditions above and the peripheral functions characteristics in the electrical specifications (see **CHAPTER 30 ELECTRICAL SPECIFICATIONS (A, G: T_A = -40 to +85°C)** and **CHAPTER 31 ELECTRICAL SPECIFICATIONS (G: T_A = -40 to +105°C)**). In addition, LIN communication is usually 2.4/9.6/19.2 kbps is often used.

Remark f_{MCK} : Operation clock frequency of target channel
 f_{CLK} : System clock frequency

LIN stands for Local Interconnect Network and is a low-speed (1 to 20 kbps) serial communication protocol designed to reduce the cost of an automobile network.

Communication of LIN is single-master communication and up to 15 slaves can be connected to one master.

The slaves are used to control switches, actuators, and sensors, which are connected to the master via LIN.

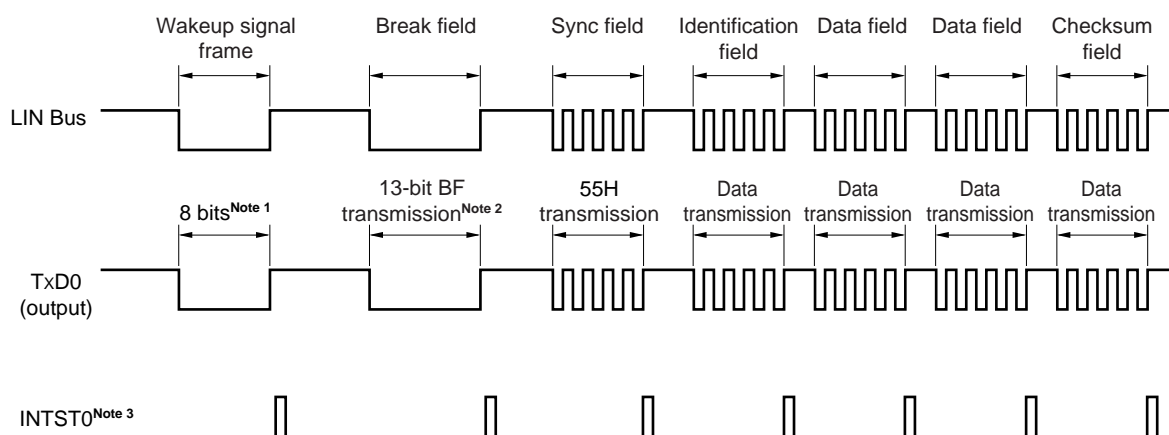
Usually, the master is connected to a network such as CAN (Controller Area Network).

A LIN bus is a single-wire bus to which nodes are connected via transceiver conforming to ISO9141.

According to the protocol of LIN, the master transmits a frame by attaching baud rate information to it. A slave receives this frame and corrects a baud rate error from the master. If the baud rate error of a slave is within ±15%, communication can be established.

Figure 12-96 outlines a transmission operation of LIN.

Figure 12-96. Transmission Operation of LIN

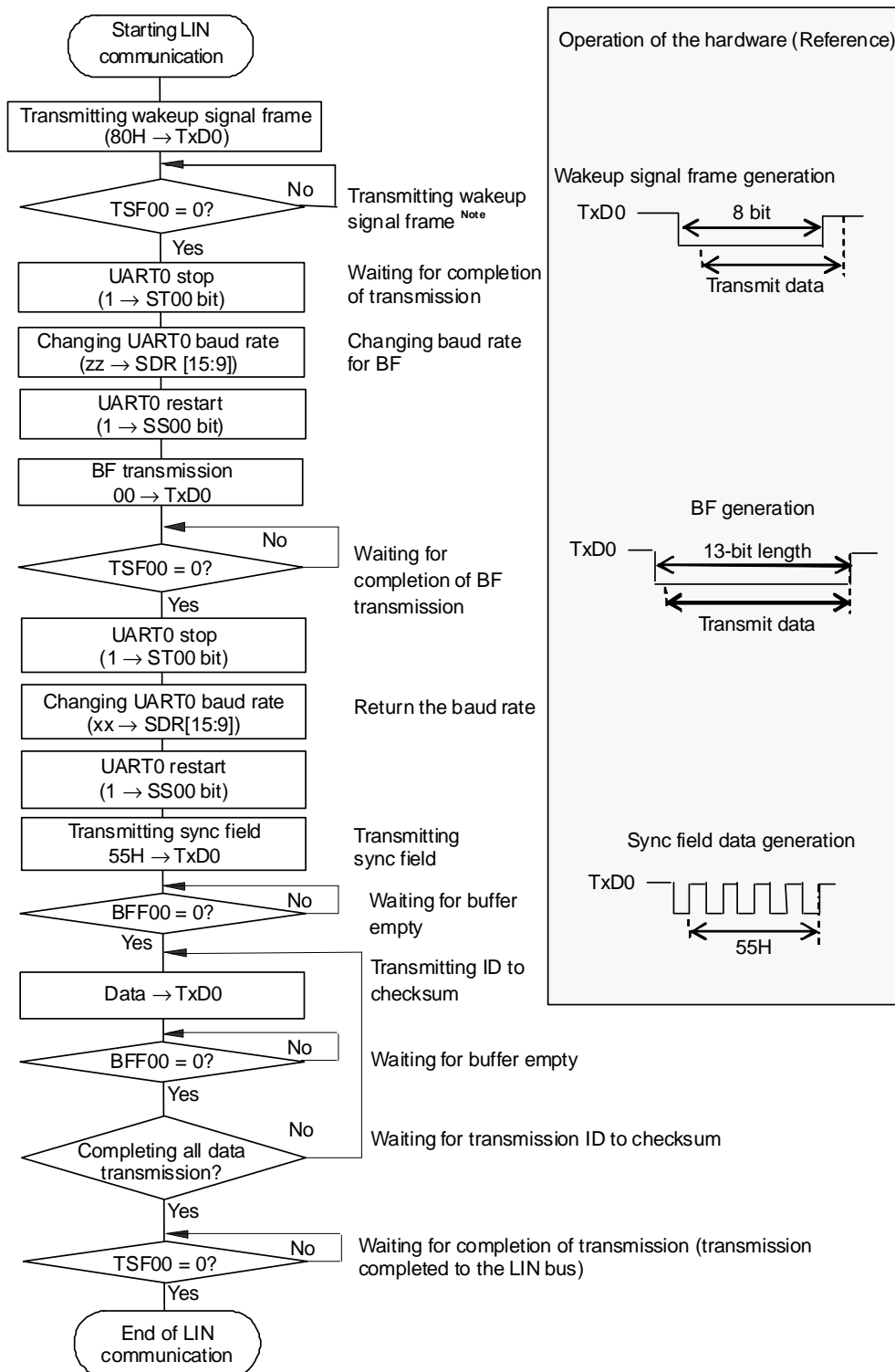


- Notes 1.** Data of 80H is transmitted.
- 2.** A break field is defined to have a width of 13 bits and output a low level. Where the baud rate for main transfer is N [bps], therefore, the baud rate of the break field is calculated as follows.

$$\text{(Baud rate of break field)} = 9/13 \times N$$
 By transmitting data of 00H at this baud rate, a break field is generated.
- 3.** INTSTO is output upon completion of transmission.

Remark The interval between fields is controlled by software.

Figure 12-97. Flowchart for LIN Transmission



Note When LIN-bus start from sleep status only

Remark Default setting of the UART is complete, and the flow from the transmission enable status.

12.7.2 LIN reception

UART0 reception supports LIN communication.

For LIN reception, channel 1 is used.

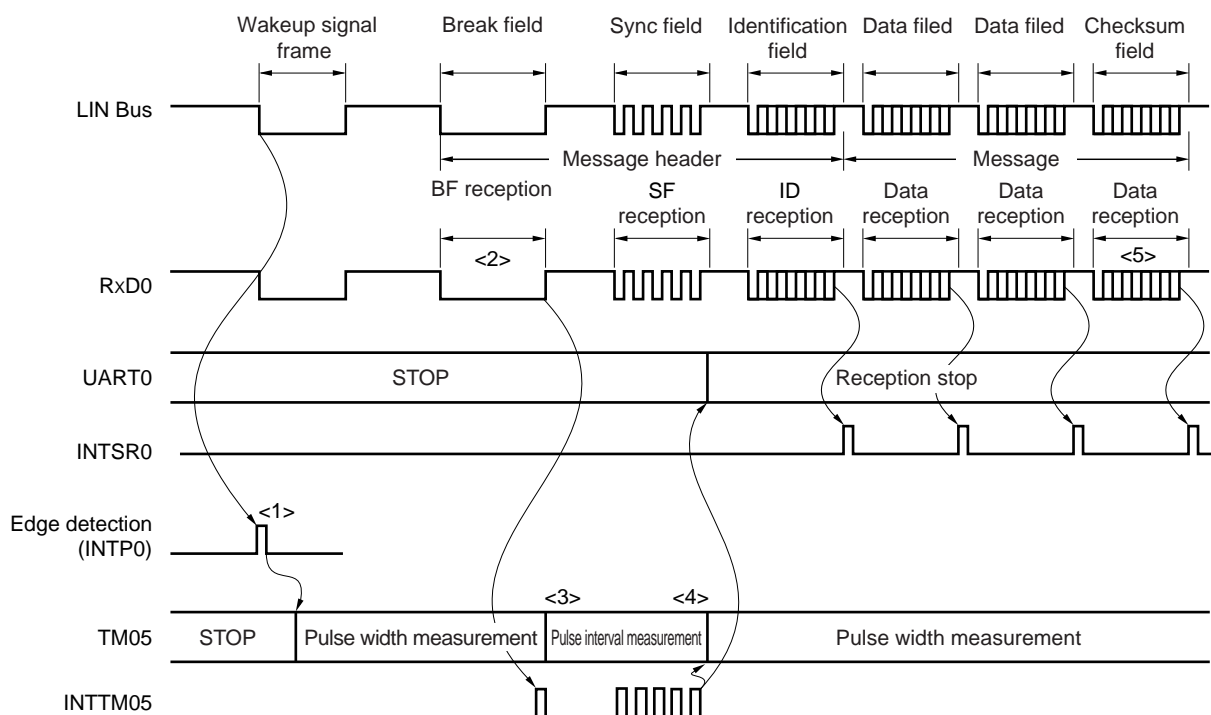
UART	UART0
Support of LIN communication	Supported
Target channel	Channel 1
Pins used	RxD0
Interrupt	INTSR0
	Transfer end interrupt only (Setting the buffer empty interrupt is prohibited.)
Error interrupt	INTSRE0
Error detection flag	<ul style="list-style-type: none"> • Framing error detection flag (FEF01) • Overrun error detection flag (OVF01)
Transfer data length	8 bits
Transfer rate	Max. $f_{MCK}/6$ [bps] (SDR01 [15:9] = 2 or more), Min. $f_{CLK}/(2 \times 2^{15} \times 128)$ [bps] ^{Note}
Data phase	Non-reverse output (default: high level) Reverse output (default: low level)
Parity bit	No parity bit (The parity bit is not checked.)
Stop bit	Check the first bit
Data direction	LSB first

Note Use this operation within a range that satisfies the conditions above and the peripheral functions characteristics in the electrical specifications (see **CHAPTER 30 ELECTRICAL SPECIFICATIONS (A, G: T_A = -40 to +85°C)** and **CHAPTER 31 ELECTRICAL SPECIFICATIONS (G: T_A = -40 to +105°C)**).

Remark f_{MCK} : Operation clock frequency of target channel
 f_{CLK} : System clock frequency

Figure 12-98 outlines a reception operation of LIN.

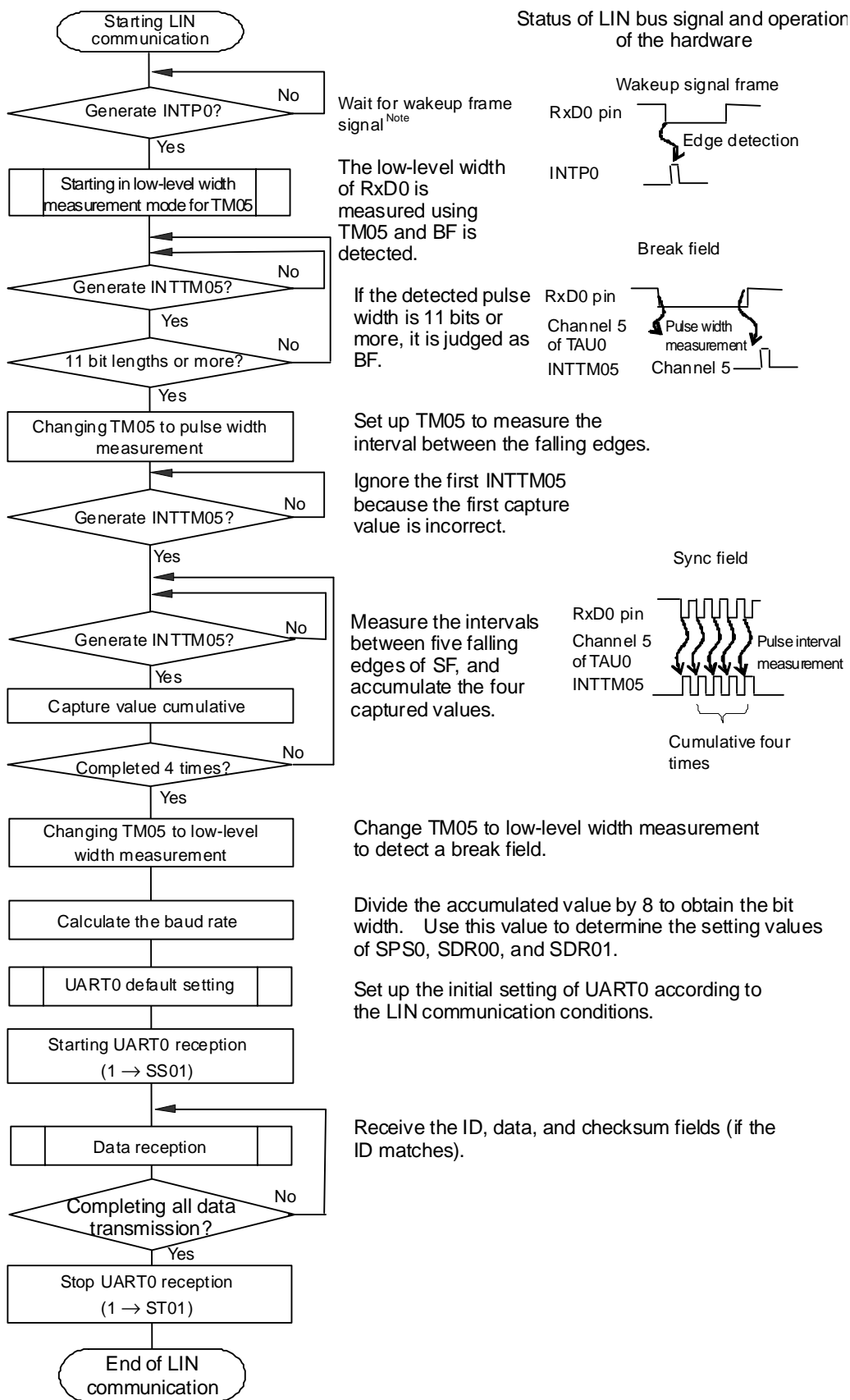
Figure 12-98. Reception Operation of LIN



Here is the flow of signal processing.

- <1> The wakeup signal is detected by detecting an interrupt edge (INTP0) on a pin. When the wakeup signal is detected, change TM05 to pulse width measurement upon detection of the wakeup signal to measure the low-level width of the BF signal. Then wait for BF signal reception.
- <2> TM05 starts measuring the low-level width upon detection of the falling edge of the BF signal, and then captures the data upon detection of the rising edge of the BF signal. The captured data is used to judge whether it is the BF signal.
- <3> When BF reception has been correctly completed, start channel 5 of the timer array unit and measure the bit interval (pulse width) of the sync field (see **6.8.4 Operation as input pulse interval measurement**).
- <4> Calculate a baud rate error from the bit interval of sync field (SF). Stop UART0 once and adjust (re-set) the baud rate.
- <5> The checksum field should be distinguished by software. In addition, processing to initialize UART0 after the checksum field is received and to wait for reception of BF should also be performed by software.

Figure 12-99. Flowchart for LIN Reception



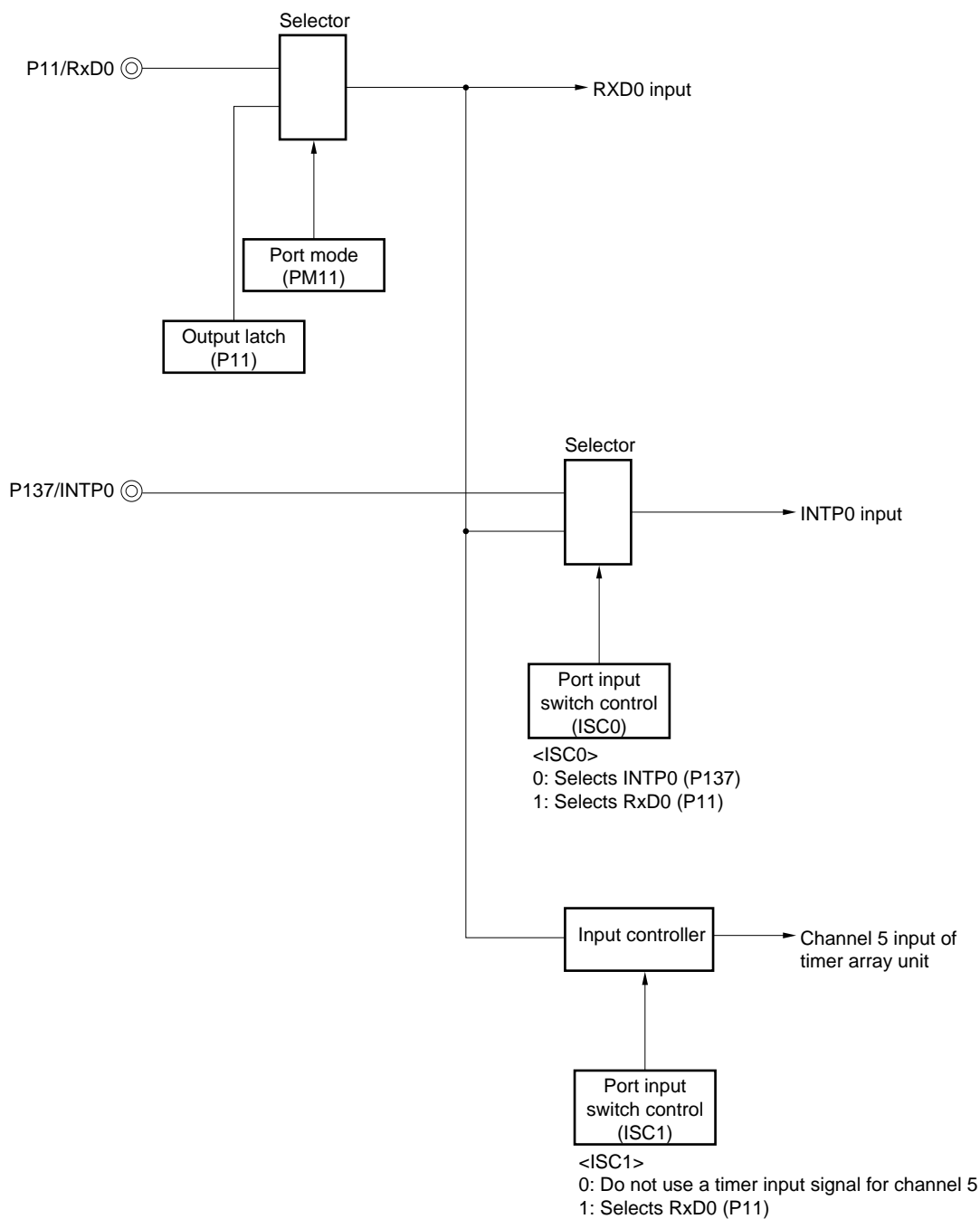
Note Required in the sleep status only.

Figure 12-100 and figure 12-101 show the configuration of a port that manipulates reception of LIN.

The wakeup signal transmitted from the master of LIN is received by detecting an edge of an external interrupt (INTP0). The length of the sync field transmitted from the master can be measured by using the external event capture operation of the timer array unit to calculate a baud-rate error.

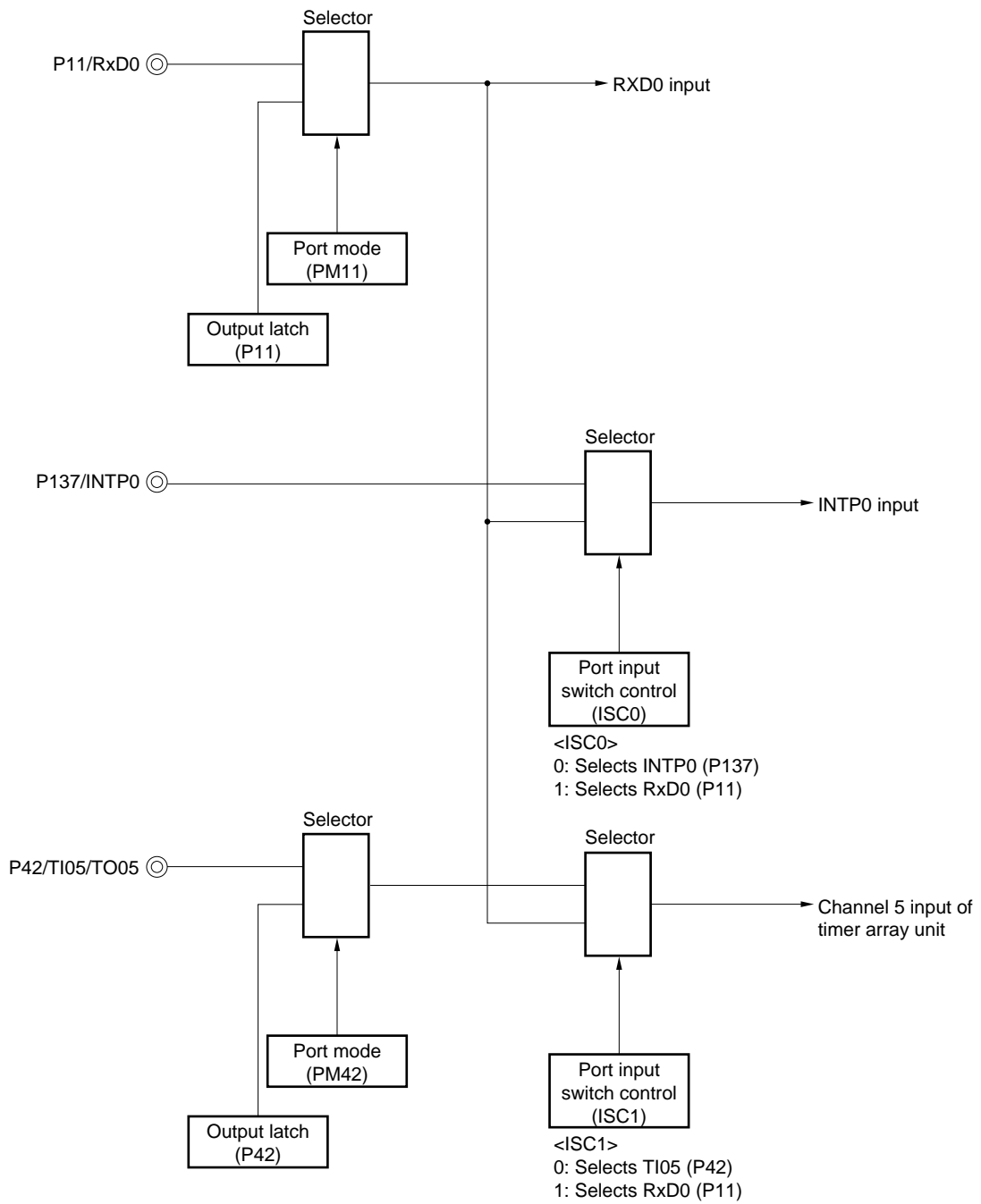
By controlling switch of port input (ISC0/ISC1), the input source of port input (RxD0) for reception can be input to the external interrupt pin (INTP0) and timer array unit

Figure 12-100. Port Configuration for Manipulating Reception of LIN (32, 44, 48-pin)



Remark ISC0, ISC1: Bits 0 and 1 of the input switch control register (ISC) (See **Figure 12-19**.)

Figure 12-101. Port Configuration for Manipulating Reception of LIN (52-, 64-pin)



Remark ISC0, ISC1: Bits 0 and 1 of the input switch control register (ISC) (See Figure 12-19.)

The peripheral functions used for the LIN communication operation are as follows.

<Peripheral functions used>

- External interrupt (INTP0); Wakeup signal detection
Usage: To detect an edge of the wakeup signal and the start of communication
- Channel 5 of timer array unit; Baud rate error detection, break field detection.
Usage: To detect the length of the sync field (SF) and divide it by the number of bits in order to detect an error (The interval of the edge input to RxD0 is measured in the capture mode.)
Measured the low-level width, determine whether break field (BF).
- Channels 0 and 1 (UART0) of serial array unit (SAU)

CHAPTER 13 SERIAL INTERFACE IICA

13.1 Functions of Serial Interface IICA

Serial interface IICA has the following three modes.

(1) Operation stop mode

This mode is used when serial transfers are not performed. It can therefore be used to reduce power consumption.

(2) I²C bus mode (multimaster supported)

This mode is used for 8-bit data transfers with several devices via two lines: a serial clock (SCLA0) line and a serial data bus (SDAA0) line.

This mode complies with the I²C bus format and the master device can generate “start condition”, “address”, “transfer direction specification”, “data”, and “stop condition” data to the slave device, via the serial data bus. The slave device automatically detects these received status and data by hardware. This function can simplify the part of application program that controls the I²C bus.

Since the SCLA0 and SDAA0 pins are used for open drain outputs, serial interface IICA requires pull-up resistors for the serial clock line and the serial data bus line.

(3) Wakeup mode

The STOP mode can be released by generating an interrupt request signal (INTIICA0) when an extension code from the master device or a local address has been received while in STOP mode. This can be set by using the WUP0 bit of IICA control register 01 (IICCTL01).

Figure 13-1 shows a block diagram of serial interface IICA.

Figure 13-1. Block Diagram of Serial Interface IICA

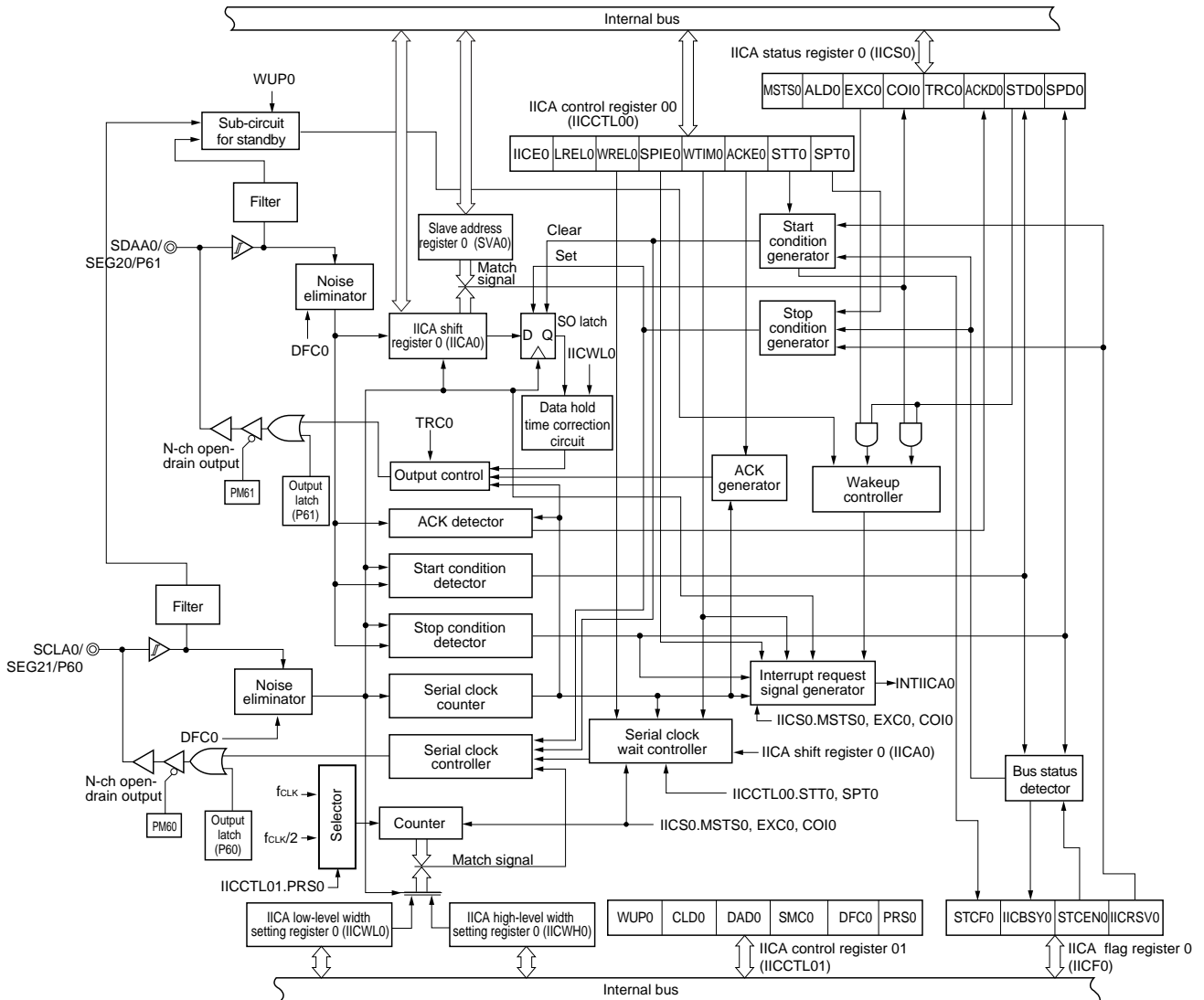
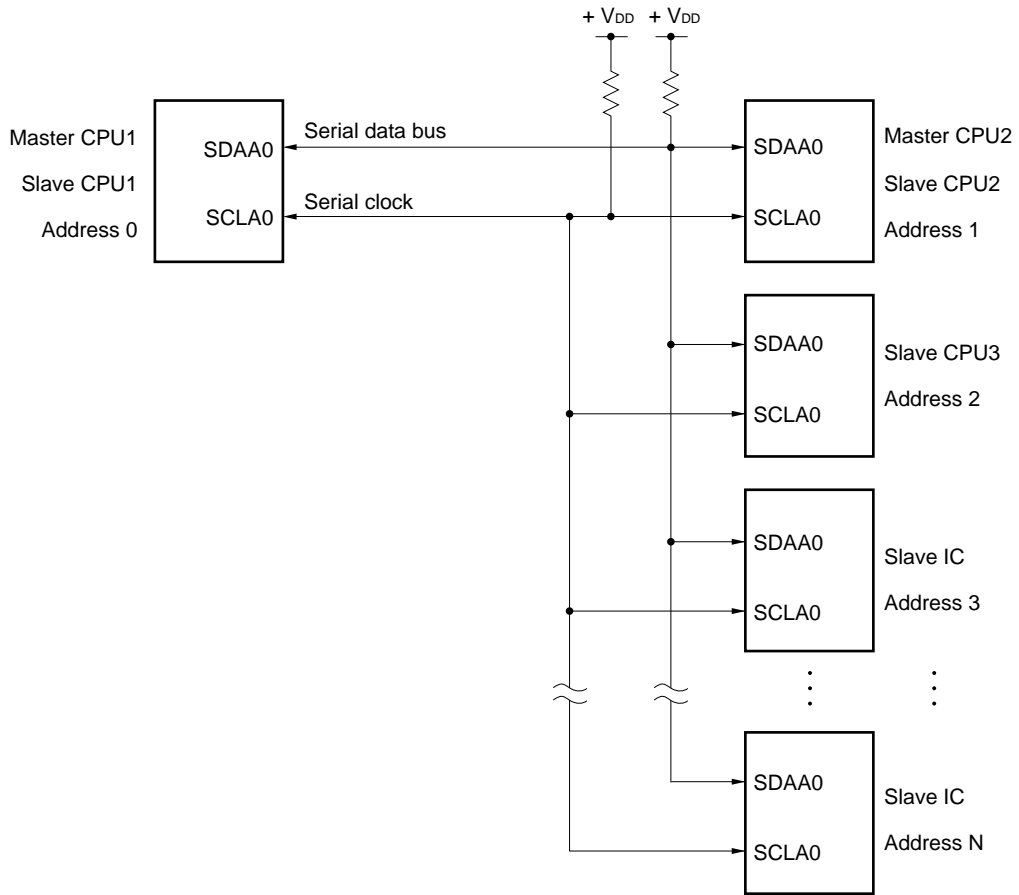


Figure 13-2 shows a serial bus configuration example.

Figure 13-2. Serial Bus Configuration Example Using I²C Bus



13.2 Configuration of Serial Interface IICA

Serial interface IICA includes the following hardware.

Table 13-1. Configuration of Serial Interface IICA

Item	Configuration
Registers	IICA shift register 0 (IICA0) Slave address register 0 (SVA0)
Control registers	Peripheral enable register 0 (PER0) IICA control register 00 (IICCTL00) IICA status register 0 (IICS0) IICA flag register 0 (IICF0) IICA control register 01 (IICCTL01) IICA low-level width setting register 0 (IICWL0) IICA high-level width setting register 0 (IICWH0) Port mode register 6 (PM6) Port register 6 (P6)

(1) IICA shift register 0 (IICA0)

The IICA0 register is used to convert 8-bit serial data to 8-bit parallel data and vice versa in synchronization with the serial clock. The IICA0 register can be used for both transmission and reception.

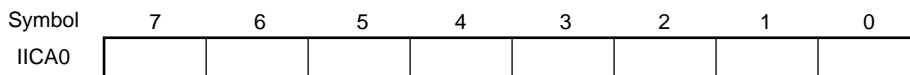
The actual transmit and receive operations can be controlled by writing and reading operations to the IICA0 register. Cancel the wait state and start data transfer by writing data to the IICA0 register during the wait period.

The IICA0 register can be set by an 8-bit memory manipulation instruction.

Reset signal generation clears IICA0 to 00H.

Figure 13-3. Format of IICA Shift Register 0 (IICA0)

Address: FFF50H (IICA0) After reset: 00H R/W



- Cautions**
1. Do not write data to the IICA0 register during data transfer.
 2. Write or read the IICA0 register only during the wait period. Accessing the IICA0 register in a communication state other than during the wait period is prohibited. When the device serves as the master, however, the IICA0 register can be written only once after the communication trigger bit (STT0) is set to 1.
 3. When communication is reserved, write data to the IICA0 register after the interrupt triggered by a stop condition is detected.

(2) Slave address register 0 (SVA0)

This register stores seven bits of local addresses {A6, A5, A4, A3, A2, A1, A0} when in slave mode. The SVA0 register can be set by an 8-bit memory manipulation instruction. However, rewriting to this register is prohibited while STD0 = 1 (while the start condition is detected). Reset signal generation clears the SVA0 register to 00H.

Figure 13-4. Format of Slave Address Register 0 (SVA0)

Address: F0234H (SVA0) After reset: 00H R/W

Symbol	7	6	5	4	3	2	1	0
SVA0	A6	A5	A4	A3	A2	A1	A0	0 ^{Note}

Note Bit 0 is fixed to 0.

(3) SO latch

The SO latch is used to retain the SDAA0 pin's output level.

(4) Wakeup controller

This circuit generates an interrupt request (INTIICA0) when the address received by this register matches the address value set to the slave address register 0 (SVA0) or when an extension code is received.

(5) Serial clock counter

This counter counts the serial clocks that are output or input during transmit/receive operations and is used to verify that 8-bit data was transmitted or received.

(6) Interrupt request signal generator

This circuit controls the generation of interrupt request signals (INTIICA0).

An I²C interrupt request is generated by the following two triggers.

- Falling edge of eighth or ninth clock of the serial clock (set by the WTIM0 bit)
- Interrupt request generated when a stop condition is detected (set by the SPIE0 bit)

Remark WTIM0 bit: Bit 3 of IICA control register 00 (IICCTL00)

SPIE0 bit: Bit 4 of IICA control register 00 (IICCTL00)

(7) Serial clock controller

In master mode, this circuit generates the clock output via the SCLA0 pin from a sampling clock.

(8) Serial clock wait controller

This circuit controls the wait timing.

(9) ACK generator, stop condition detector, start condition detector, and ACK detector

These circuits generate and detect each status.

(10) Data hold time correction circuit

This circuit generates the hold time for data corresponding to the falling edge of the serial clock.

(11) Start condition generator

This circuit generates a start condition when the STT0 bit is set to 1.

However, in the communication reservation disabled status (IICRSV bit = 1), when the bus is not released (IICBSY bit = 1), start condition requests are ignored and the STCF bit is set to 1.

(12) Stop condition generator

This circuit generates a stop condition when the SPT0 bit is set to 1.

(13) Bus status detector

This circuit detects whether or not the bus is released by detecting start conditions and stop conditions.

However, as the bus status cannot be detected immediately following operation, the initial status is set by the STCEN bit.

Remark	STT0 bit:	Bit 1 of IICA control register 00 (IICCTL00)
	SPT0 bit:	Bit 0 of IICA control register 00 (IICCTL00)
	IICRSV bit:	Bit 0 of IICA flag register 0 (IICF0)
	IICBSY bit:	Bit 6 of IICA flag register 0 (IICF0)
	STCF bit:	Bit 7 of IICA flag register 0 (IICF0)
	STCEN bit:	Bit 1 of IICA flag register 0 (IICF0)

13.3 Registers Controlling Serial Interface IICA

Serial interface IICA is controlled by the following eight registers.

- Peripheral enable register 0 (PER0)
- IICA control register 00 (IICCTL00)
- IICA flag register 0 (IICF0)
- IICA status register 0 (IICS0)
- IICA control register 01 (IICCTL01)
- IICA low-level width setting register 0 (IICWL0)
- IICA high-level width setting register 0 (IICWH0)
- Port mode register 6 (PM6)
- Port register 6 (P6)

13.3.1 Peripheral enable register 0 (PER0)

This register is used to enable or disable supplying the clock to the peripheral hardware. Clock supply to a hardware macro that is not used is stopped in order to reduce the power consumption and noise.

When serial interface IICA0 is used, be sure to set bit 4 (IICA0EN) of this register to 1.

The PER0 register can be set by a 1-bit or 8-bit memory manipulation instruction.

Reset signal generation clears this register to 00H.

Figure 13-5. Format of Peripheral Enable Register 0 (PER0)

Address: F00F0H (PER0) After reset: 00H R/W

Symbol	<7>	6	<5>	<4>	3	<2>	1	<0>
PER0	RTCEN	0	ADCEN	IICA0EN	0	SAU0EN	0	TAU0EN

IICA0EN	Control of serial interface IICA0 input clock supply
0	Stops input clock supply. <ul style="list-style-type: none"> • SFR used by serial interface IICA0 cannot be written. • Serial interface IICA0 is in the reset status.
1	Enables input clock supply. <ul style="list-style-type: none"> • SFR used by serial interface IICA0 can be read/written.

- <R> **Cautions 1. When setting serial interface IICA0, be sure to set the following registers first while the IICAnEN bit is set to 1. If IICAnEN = 0, the control registers of serial interface IICA are set to their initial values, and writing to them is ignored (except for port mode register 6 (PM6) and port register 6 (P6)).**
- IICA control register n0 (IICCTLn0)
 - IICA flag register n (IICFn)
 - IICA status register n (IICSn)
 - IICA control register n1 (IICCTLn1)
 - IICA low-level width setting register n (IICWLn)
 - IICA high-level width setting register n (IICWHn)
- 2. Be sure to clear the bits 1, 3, and 6 to 0.**

13.3.2 IICA control register 00 (IICCTL00)

This register is used to enable/stop I²C operations, set wait timing, and set other I²C operations.

The IICCTL00 register can be set by a 1-bit or 8-bit memory manipulation instruction. However, set the SPIE0, WTIM0, and ACKE0 bits while IICE0 = 0 or during the wait period. These bits can be set at the same time when the IICE0 bit is set from “0” to “1”.

Reset signal generation clears this register to 00H.

Figure 13-6. Format of IICA Control Register 00 (IICCTL00) (1/4)

Address: F0230H (IICCTL00) After reset: 00H R/W

Symbol	<7>	<6>	<5>	<4>	<3>	<2>	<1>	<0>
IICCTL00	IICE0	LRELO	WRELO	SPIE0	WTIM0	ACKE0	STT0	SPT0

IICE0	I ² C operation enable
0	Stop operation. Reset the IICA status register 0 (IICS0) ^{Note 1} . Stop internal operation.
1	Enable operation.
Be sure to set this bit (1) while the SCLA0 and SDAA0 lines are at high level.	
Condition for clearing (IICE0 = 0)	
<ul style="list-style-type: none"> • Cleared by instruction • Reset 	Condition for setting (IICE0 = 1)
	<ul style="list-style-type: none"> • Set by instruction

LRELO Notes 2, 3	Exit from communications
0	Normal operation
1	This exits from the current communications and sets standby mode. This setting is automatically cleared to 0 after being executed. Its uses include cases in which a locally irrelevant extension code has been received. The SCLA0 and SDAA0 lines are set to high impedance. The following flags of IICA control register 00 (IICCTL00) and the IICA status register 0 (IICS0) are cleared to 0. • STT0 • SPT0 • MSTS0 • EXC0 • COI0 • TRC0 • ACKD0 • STD0
The standby mode following exit from communications remains in effect until the following communications entry conditions are met.	
<ul style="list-style-type: none"> • After a stop condition is detected, restart is in master mode. • An address match or extension code reception occurs after the start condition. 	
Condition for clearing (LRELO = 0)	
<ul style="list-style-type: none"> • Automatically cleared after execution • Reset 	Condition for setting (LRELO = 1)
	<ul style="list-style-type: none"> • Set by instruction

WRELO Notes 2, 3	Wait cancellation
0	Do not cancel wait
1	Cancel wait. This setting is automatically cleared after wait is canceled.
When the WRELO bit is set (wait canceled) during the wait period at the ninth clock pulse in the transmission status (TRC0 = 1), the SDAA0 line goes into the high impedance state (TRC0 = 0).	
Condition for clearing (WRELO = 0)	
<ul style="list-style-type: none"> • Automatically cleared after execution • Reset 	Condition for setting (WRELO = 1)
	<ul style="list-style-type: none"> • Set by instruction

- Notes**
1. The IICA status register 0 (IICS0), the STCF and IICBSY bits of the IICA flag register 0 (IICF0), and the CLD0 and DAD0 bits of IICA control register 01 (IICCTL01) are reset.
 2. The signal of this bit is invalid while IICE0 is 0.
 3. When the LRELO and WRELO bits are read, 0 is always read.

Caution If the operation of I²C is enabled (IICE0 = 1) when the SCLA0 line is high level, the SDAA0 line is low level, and the digital filter is turned on (DFC0 bit of IICCTL01 register = 1), a start condition will be inadvertently detected immediately. In this case, set (1) the LRELO bit by using a 1-bit memory manipulation instruction immediately after enabling operation of I²C (IICE0 = 1).

Figure 13-6. Format of IICA Control Register 00 (IICCTL00) (2/4)

SPIE0 ^{Note 1}	Enable/disable generation of interrupt request when stop condition is detected	
0	Disable	
1	Enable	
If the WUP0 bit of IICA control register 01 (IICCTL01) is 1, no stop condition interrupt will be generated even if SPIE0 = 1.		
Condition for clearing (SPIE0 = 0)		Condition for setting (SPIE0 = 1)
<ul style="list-style-type: none"> • Cleared by instruction • Reset 		<ul style="list-style-type: none"> • Set by instruction

WTIM0 ^{Note 1}	Control of wait and interrupt request generation	
0	Interrupt request is generated at the eighth clock's falling edge. Master mode: After output of eight clocks, clock output is set to low level and wait is set. Slave mode: After input of eight clocks, the clock is set to low level and wait is set for master device.	
1	Interrupt request is generated at the ninth clock's falling edge. Master mode: After output of nine clocks, clock output is set to low level and wait is set. Slave mode: After input of nine clocks, the clock is set to low level and wait is set for master device.	
An interrupt is generated at the falling edge of the ninth clock during address transfer independently of the setting of this bit. The setting of this bit is valid when the address transfer is completed. When in master mode, a wait is inserted at the falling edge of the ninth clock during address transfers. For a slave device that has received a local address, a wait is inserted at the falling edge of the ninth clock after an acknowledge (ACK) is issued. However, when the slave device has received an extension code, a wait is inserted at the falling edge of the eighth clock.		
Condition for clearing (WTIM0 = 0)		Condition for setting (WTIM0 = 1)
<ul style="list-style-type: none"> • Cleared by instruction • Reset 		<ul style="list-style-type: none"> • Set by instruction

ACKE0 Notes 1, 2	Acknowledgment control	
0	Disable acknowledgment.	
1	Enable acknowledgment. During the ninth clock period, the SDAA0 line is set to low level.	
Condition for clearing (ACKE0 = 0)		Condition for setting (ACKE0 = 1)
<ul style="list-style-type: none"> • Cleared by instruction • Reset 		<ul style="list-style-type: none"> • Set by instruction

- Notes**
- The signal of this bit is invalid while IICE0 is 0. Set this bit during that period.
 - The set value is invalid during address transfer and if the code is not an extension code. When the device serves as a slave and the addresses match, an acknowledgment is generated regardless of the set value.

Figure 13-6. Format of IICA Control Register 00 (IICCTL00) (3/4)

STT0 Notes 1, 2	Start condition trigger	
0	Do not generate a start condition.	
1	<p>When bus is released (in standby state, when IICBSY = 0): If this bit is set (1), a start condition is generated (startup as the master).</p> <p>When a third party is communicating:</p> <ul style="list-style-type: none"> • When communication reservation function is enabled (IICRSV = 0) Functions as the start condition reservation flag. When set to 1, automatically generates a start condition after the bus is released. • When communication reservation function is disabled (IICRSV = 1) Even if this bit is set (1), the STT0 bit is cleared and the STT0 clear flag (STCF) is set (1). No start condition is generated. <p>In the wait state (when master device): Generates a restart condition after releasing the wait.</p>	
<p>Cautions concerning set timing</p> <ul style="list-style-type: none"> • For master reception: Cannot be set to 1 during transfer. Can be set to 1 only in the waiting period when the ACKE0 bit has been cleared to 0 and slave has been notified of final reception. • For master transmission: A start condition cannot be generated normally during the acknowledge period. Set to 1 during the wait period that follows output of the ninth clock. • Cannot be set to 1 at the same time as stop condition trigger (SPT0). • Once STT0 is set to 1, setting it again (1) before the clear condition is met is not allowed. 		
Condition for clearing (STT0 = 0)		Condition for setting (STT0 = 1)
<ul style="list-style-type: none"> • Cleared by setting the STT0 bit to 1 while communication reservation is prohibited. • Cleared by loss in arbitration • Cleared after start condition is generated by master device • Cleared by LREL0 = 1 (exit from communications) • When IICE0 = 0 (operation stop) • Reset 		<ul style="list-style-type: none"> • Set by instruction

- Notes**
1. The signal of this bit is invalid while IICE0 is 0.
 2. The STTn bit is always read as 0.

<R>

- Remarks**
1. Bit 1 (STT0) becomes 0 when it is read after data setting.
 2. IICRSV: Bit 0 of IIC flag register 0 (IICF0)
STCF: Bit 7 of IIC flag register 0 (IICF0)

Figure 13-6. Format of IICA Control Register 00 (IICCTL00) (4/4)

SPT0 ^{Note}	Stop condition trigger	
0	Stop condition is not generated.	
1	Stop condition is generated (termination of master device's transfer).	
<p>Cautions concerning set timing</p> <ul style="list-style-type: none"> • For master reception: Cannot be set to 1 during transfer. Can be set to 1 only in the waiting period when the ACKE0 bit has been cleared to 0 and slave has been notified of final reception. • For master transmission: A stop condition cannot be generated normally during the acknowledge period. Therefore, set it during the wait period that follows output of the ninth clock. • Cannot be set to 1 at the same time as start condition trigger (STT0). • The SPT0 bit can be set to 1 only when in master mode. • When the WTIM0 bit has been cleared to 0, if the SPT0 bit is set to 1 during the wait period that follows output of eight clocks, note that a stop condition will be generated during the high-level period of the ninth clock. The WTIM0 bit should be changed from 0 to 1 during the wait period following the output of eight clocks, and the SPT0 bit should be set to 1 during the wait period that follows the output of the ninth clock. • Once STT0 is set to 1, setting it again (1) before the clear condition is met is not allowed. 		
Condition for clearing (SPT0 = 0)		Condition for setting (SPT0 = 1)
<ul style="list-style-type: none"> • Cleared by loss in arbitration • Automatically cleared after stop condition is detected • Cleared by LREL0 = 1 (exit from communications) • When IICE0 = 0 (operation stop) • Reset 		<ul style="list-style-type: none"> • Set by instruction

<R> **Note** The SPTn bit is always read as 0.

Caution When bit 3 (TRC0) of the IICA status register 0 (IICS0) is set to 1 (transmission status), bit 5 (WREL0) of IICA control register 00 (IICCTL00) is set to 1 during the ninth clock and wait is canceled, after which the TRC0 bit is cleared (reception status) and the SDAA0 line is set to high impedance. Release the wait performed while the TRC0 bit is 1 (transmission status) by writing to the IICA shift register 0.

Remark Bit 0 (SPT0) becomes 0 when it is read after data setting.

13.3.3 IICA status register 0 (IICS0)

This register indicates the status of I²C.

The IICS0 register is read by a 1-bit or 8-bit memory manipulation instruction only when STT0 = 1 and during the wait period.

Reset signal generation clears this register to 00H.

Caution Reading the IICS0 register while the address match wakeup function is enabled (WUP0 = 1) in STOP mode is prohibited. When the WUP0 bit is changed from 1 to 0 (wakeup operation is stopped), regardless of the INTIICA0 interrupt request, the change in status is not reflected until the next start condition or stop condition is detected. To use the wakeup function, therefore, enable (SPIE0 = 1) the interrupt generated by detecting a stop condition and read the IICS0 register after the interrupt has been detected.

Remark STT0: bit 1 of IICA control register 00 (IICCTL00)
 WUP0: bit 7 of IICA control register 01 (IICCTL01)

Figure 13-7. Format of IICA Status Register 0 (IICS0) (1/3)

Address: FFF51H (IICS0) After reset: 00H R

Symbol	<7>	<6>	<5>	<4>	<3>	<2>	<1>	<0>
IICS0	MSTS0	ALD0	EXC0	COI0	TRC0	ACKD0	STD0	SPD0

MSTS0	Master status check flag
0	Slave device status or communication standby status
1	Master device communication status
Condition for clearing (MSTS0 = 0)	
<ul style="list-style-type: none"> • When a stop condition is detected • When ALD0 = 1 (arbitration loss) • Cleared by LREL0 = 1 (exit from communications) • When the IICE0 bit changes from 1 to 0 (operation stop) • Reset 	
Condition for setting (MSTS0 = 1)	
<ul style="list-style-type: none"> • When a start condition is generated 	

ALD0	Detection of arbitration loss
0	This status means either that there was no arbitration or that the arbitration result was a "win".
1	This status indicates the arbitration result was a "loss". The MSTS0 bit is cleared.
Condition for clearing (ALD0 = 0)	
<ul style="list-style-type: none"> • Automatically cleared after the IICS0 register is read ^{Note} • When the IICE0 bit changes from 1 to 0 (operation stop) • Reset 	
Condition for setting (ALD0 = 1)	
<ul style="list-style-type: none"> • When the arbitration result is a "loss". 	

Note This register is also cleared when a 1-bit memory manipulation instruction is executed for bits other than the IICS0 register. Therefore, when using the ALD0 bit, read the data of this bit before the data of the other bits.

Remark LREL0: Bit 6 of IICA control register 00 (IICCTL00)
 IICE0: Bit 7 of IICA control register 00 (IICCTL00)

Figure 13-7. Format of IICA Status Register 0 (IICS0) (2/3)

EXC0	Detection of extension code reception	
0	Extension code was not received.	
1	Extension code was received.	
Condition for clearing (EXC0 = 0)		Condition for setting (EXC0 = 1)
<ul style="list-style-type: none"> When a start condition is detected When a stop condition is detected Cleared by LREL0 = 1 (exit from communications) When the IICE0 bit changes from 1 to 0 (operation stop) Reset 		<ul style="list-style-type: none"> When the higher four bits of the received address data is either "0000" or "1111" (set at the rising edge of the eighth clock).

COI0	Detection of matching addresses	
0	Addresses do not match.	
1	Addresses match.	
Condition for clearing (COI0 = 0)		Condition for setting (COI0 = 1)
<ul style="list-style-type: none"> When a start condition is detected When a stop condition is detected Cleared by LREL0 = 1 (exit from communications) When the IICE0 bit changes from 1 to 0 (operation stop) Reset 		<ul style="list-style-type: none"> When the received address matches the local address (slave address register 0 (SVA0)) (set at the rising edge of the eighth clock).

TRC0	Detection of transmit/receive status	
0	Receive status (other than transmit status). The SDAA0 line is set for high impedance.	
1	Transmit status. The value in the SO0 latch is enabled for output to the SDAA0 line (valid starting at the falling edge of the first byte's ninth clock).	
Condition for clearing (TRC0 = 0)		Condition for setting (TRC0 = 1)
<p><Both master and slave></p> <ul style="list-style-type: none"> When a stop condition is detected Cleared by LREL0 = 1 (exit from communications) When the IICE0 bit changes from 1 to 0 (operation stop) Cleared by WREL0 = 1^{Note} (wait cancel) When the ALD0 bit changes from 0 to 1 (arbitration loss) Reset When not used for communication (MSTS0, EXC0, COI0 = 0) <p><Master></p> <ul style="list-style-type: none"> When "1" is output to the first byte's LSB (transfer direction specification bit) <p><Slave></p> <ul style="list-style-type: none"> When a start condition is detected When "0" is input to the first byte's LSB (transfer direction specification bit) 		<p><Master></p> <ul style="list-style-type: none"> When a start condition is generated When 0 (master transmission) is output to the LSB (transfer direction specification bit) of the first byte (during address transfer) <p><Slave></p> <ul style="list-style-type: none"> When 1 (slave transmission) is input to the LSB (transfer direction specification bit) of the first byte from the master (during address transfer)

Note When bit 3 (TRC0) of the IICA status register 0 (IICS0) is set to 1 (transmission status), bit 5 (WREL0) of IICA control register 00 (IICCTL00) is set to 1 during the ninth clock and wait is canceled, after which the TRC0 bit is cleared (reception status) and the SDAA0 line is set to high impedance. Release the wait performed while the TRC0 bit is 1 (transmission status) by writing to the IICA shift register 0.

Remark LREL0: Bit 6 of IICA control register 00 (IICCTL00)
 IICE0: Bit 7 of IICA control register 00 (IICCTL00)

Figure 13-7. Format of IICA Status Register 0 (IICS0) (3/3)

ACKD0	Detection of acknowledge ($\overline{\text{ACK}}$)	
0	Acknowledge was not detected.	
1	Acknowledge was detected.	
Condition for clearing (ACKD0 = 0)		Condition for setting (ACKD0 = 1)
<ul style="list-style-type: none"> • When a stop condition is detected • At the rising edge of the next byte's first clock • Cleared by LREL0 = 1 (exit from communications) • When the IICE0 bit changes from 1 to 0 (operation stop) • Reset 		<ul style="list-style-type: none"> • After the SDA0 line is set to low level at the rising edge of SCLA0 line's ninth clock

STD0	Detection of start condition	
0	Start condition was not detected.	
1	Start condition was detected. This indicates that the address transfer period is in effect.	
Condition for clearing (STD0 = 0)		Condition for setting (STD0 = 1)
<ul style="list-style-type: none"> • When a stop condition is detected • At the rising edge of the next byte's first clock following address transfer • Cleared by LREL0 = 1 (exit from communications) • When the IICE0 bit changes from 1 to 0 (operation stop) • Reset 		<ul style="list-style-type: none"> • When a start condition is detected

SPD0	Detection of stop condition	
0	Stop condition was not detected.	
1	Stop condition was detected. The master device's communication is terminated and the bus is released.	
Condition for clearing (SPD0 = 0)		Condition for setting (SPD0 = 1)
<ul style="list-style-type: none"> • At the rising edge of the address transfer byte's first clock following setting of this bit and detection of a start condition • When the WUP0 bit changes from 1 to 0 • When the IICE0 bit changes from 1 to 0 (operation stop) • Reset 		<ul style="list-style-type: none"> • When a stop condition is detected

Remark LREL0: Bit 6 of IICA control register 00 (IICCTL00)
 IICE0: Bit 7 of IICA control register 00 (IICCTL00)

13.3.4 IICA flag register 0 (IICF0)

This register sets the operation mode of I²C and indicates the status of the I²C bus.

The IICF0 register can be set by a 1-bit or 8-bit memory manipulation instruction. However, the STT0 clear flag (STCF) and I²C bus status flag (IICBSY) bits are read-only.

The IICRSV bit can be used to enable/disable the communication reservation function.

The STCEN bit can be used to set the initial value of the IICBSY bit.

The IICRSV and STCEN bits can be written only when the operation of I²C is disabled (bit 7 (IICE0) of IICA control register 00 (IICCTL00) = 0). When operation is enabled, the IICF0 register can be read.

Reset signal generation clears this register to 00H.

Figure 13-8. Format of IICA Flag Register 0 (IICF0)

Address: FFF52H (IICF0) After reset: 00H R/W^{Note}

Symbol	<7>	<6>	5	4	3	2	<1>	<0>
IICF0	STCF0	IICBSY0	0	0	0	0	STCEN0	IICRSV0

STCF0	STT0 clear flag
0	Generate start condition
1	Start condition generation unsuccessful: clear the STT0 flag
Condition for clearing (STCF0 = 0)	
<ul style="list-style-type: none"> • Cleared by STT0 = 1 • When IICE0 = 0 (operation stop) • Reset 	
Condition for setting (STCF0 = 1)	
<ul style="list-style-type: none"> • Generating start condition unsuccessful and the STT0 bit cleared to 0 when communication reservation is disabled (IICRSV0 = 1). 	

IICBSY0	I ² C bus status flag
0	Bus release status (communication initial status when STCEN0 = 1)
1	Bus communication status (communication initial status when STCEN0 = 0)
Condition for clearing (IICBSY0 = 0)	
<ul style="list-style-type: none"> • Detection of stop condition • When IICE0 = 0 (operation stop) • Reset 	
Condition for setting (IICBSY0 = 1)	
<ul style="list-style-type: none"> • Detection of start condition • Setting of the IICE0 bit when STCEN0 = 0 	

STCEN0	Initial start enable trigger
0	After operation is enabled (IICE0 = 1), enable generation of a start condition upon detection of a stop condition.
1	After operation is enabled (IICE0 = 1), enable generation of a start condition without detecting a stop condition.
Condition for clearing (STCEN0 = 0)	
<ul style="list-style-type: none"> • Cleared by instruction • Detection of start condition • Reset 	
Condition for setting (STCEN0 = 1)	
<ul style="list-style-type: none"> • Set by instruction 	

IICRSV0	Communication reservation function disable bit
0	Enable communication reservation
1	Disable communication reservation
Condition for clearing (IICRSV0 = 0)	
<ul style="list-style-type: none"> • Cleared by instruction • Reset 	
Condition for setting (IICRSV0 = 1)	
<ul style="list-style-type: none"> • Set by instruction 	

Note Bits 6 and 7 are read-only.

- Cautions**
1. Write to the STCEN bit only when the operation is stopped (IICE0 = 0).
 2. As the bus release status (IICBSY = 0) is recognized regardless of the actual bus status when STCEN = 1, when generating the first start condition (STT0 = 1), it is necessary to verify that no third party communications are in progress in order to prevent such communications from being destroyed.
 3. Write to IICRSV only when the operation is stopped (IICE0 = 0).

Remark STT0: Bit 1 of IICA control register 00 (IICCTL00)
 IICE0: Bit 7 of IICA control register 00 (IICCTL00)

13.3.5 IICA control register 01 (IICCTL01)

This register is used to set the operation mode of I²C and detect the statuses of the SCLA0 and SDA0 pins.

The IICCTL01 register can be set by a 1-bit or 8-bit memory manipulation instruction. However, the CLD0 and DAD0 bits are read-only.

Set the IICCTL01 register, except the WUP0 bit, while operation of I²C is disabled (bit 7 (IICE0) of IICA control register 00 (IICCTL00) is 0).

Reset signal generation clears this register to 00H.

Figure 13-9. Format of IICA Control Register 01 (IICCTL01) (1/2)

Address: F0231H (IICCTL01) After reset: 00H R/W^{Note 1}

Symbol	7	6	<5>	<4>	<3>	<2>	1	<0>
IICCTL01	WUP0	0	CLD0	DAD0	SMC0	DFC0	0	PRS0

WUP0	Control of address match wakeup
0	Stops operation of address match wakeup function in STOP mode.
1	Enables operation of address match wakeup function in STOP mode.
<p>To shift to STOP mode when WUP0 = 1, execute the STOP instruction at least three clocks after setting (1) the WUP0 bit (see Figure 13-22 Flow When Setting WUP0 = 1).</p> <p>Clear (0) the WUP0 bit after the address has matched or an extension code has been received. The subsequent communication can be entered by the clearing (0) WUP0 bit. (The wait must be released and transmit data must be written after the WUP0 bit has been cleared (0).)</p> <p>The interrupt timing when the address has matched or when an extension code has been received, while WUP0 = 1, is identical to the interrupt timing when WUP0 = 0. (A delay of the difference of sampling by the clock will occur.) Furthermore, when WUP0 = 1, a stop condition interrupt is not generated even if the SPIE0 bit is set to 1.</p> <p>When WUP0 = 0 is set by a source other than an interrupt from serial interface IICA, operation as the master device cannot be performed until the subsequent start condition or stop condition is detected. Do not output a start condition by setting (1) the STT0 bit, without waiting for the detection of the subsequent start condition or stop condition.</p>	
Condition for clearing (WUP0 = 0)	Condition for setting (WUP0 = 1)
<ul style="list-style-type: none"> • Cleared by instruction (after address match or extension code reception) 	<ul style="list-style-type: none"> • Set by instruction (when the MST0, EXC0, and COI0 bits are "0", and the STD0 bit also "0" (communication not entered))^{Note 2}

Notes 1. Bits 4 and 5 are read-only.

2. The status of the IICA status register 0 (IICS0) must be checked and the WUP0 bit must be set during the period shown below.

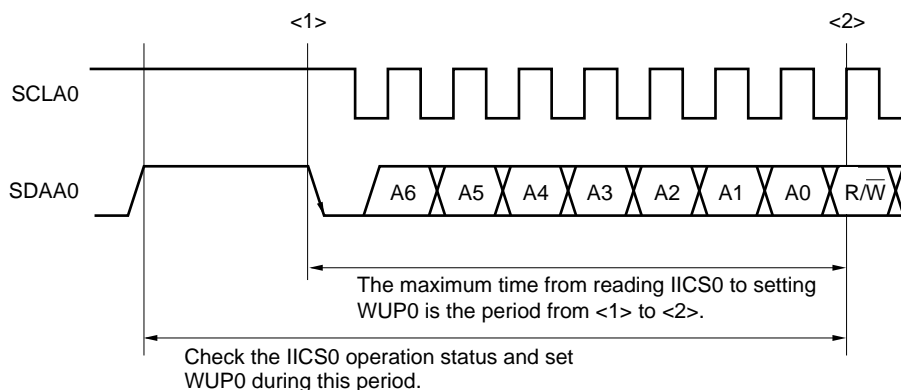


Figure 13-9. Format of IICA Control Register 01 (IICCTL01) (2/2)

CLD0	Detection of SCLA0 pin level (valid only when IICE0 = 1)	
0	The SCLA0 pin was detected at low level.	
1	The SCLA0 pin was detected at high level.	
Condition for clearing (CLD0 = 0)		Condition for setting (CLD0 = 1)
<ul style="list-style-type: none"> When the SCLA0 pin is at low level When IICE0 = 0 (operation stop) Reset 		<ul style="list-style-type: none"> When the SCLA0 pin is at high level

DAD0	Detection of SDAA0 pin level (valid only when IICE0 = 1)	
0	The SDAA0 pin was detected at low level.	
1	The SDAA0 pin was detected at high level.	
Condition for clearing (DAD0 = 0)		Condition for setting (DAD0 = 1)
<ul style="list-style-type: none"> When the SDAA0 pin is at low level When IICE0 = 0 (operation stop) Reset 		<ul style="list-style-type: none"> When the SDAA0 pin is at high level

SMC0	Operation mode switching	
0	Operates in standard mode (fastest transfer rate: 100 kbps).	
1	Operates in fast mode (fastest transfer rate: 400 kbps) or fast mode plus (fastest transfer rate: 1 Mbps).	

<R>

DFC0	Digital filter operation control	
0	Digital filter off.	
1	Digital filter on.	
Use the digital filter only in fast mode and fast mode plus.		
The digital filter is used for noise elimination.		
The transfer clock does not vary, regardless of the DFCn bit being set (1) or cleared (0).		

PRS0	Division of the operation clock	
0	Selects f_{CLK} as operation clock.	
1	Selects $f_{CLK}/2$ as operation clock.	

Caution The fastest operation frequency of the operation clock of the serial interface IICA is 20 MHz (Max.). If the f_{CLK} exceeds 20 MHz, set the clock to $f_{CLK}/2$ by setting the PRS0 bit to 1.

Remark IICE0: Bit 7 of IICA control register 00 (IICCTL00)

13.3.6 IICA low-level width setting register 0 (IICWL0)

This register is used to set the low-level width (t_{LOW}) and data hold time ($t_{HD:DAT}$) of the SCLA0 pin signal that is output by serial interface IICA. The data hold time is decided by value the higher 6 bits of IICWL register.

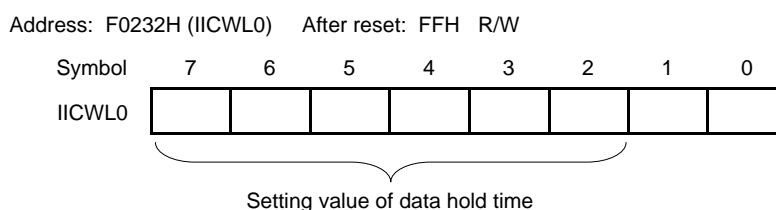
The IICWL0 register can be set by an 8-bit memory manipulation instruction.

Set the IICWL0 register while operation of I²C is disabled (bit 7 (IICE0) of IICA control register 00 (IICCTL00) is 0).

Reset signal generation sets this register to FFH.

For details about setting The IICWL0 register, see **13.4.2 Setting transfer clock by using IICWL0 and IICWH0 registers.**

Figure 13-10. Format of IICA Low-Level Width Setting Register 0 (IICWL0)



13.3.7 IICA high-level width setting register 0 (IICWH0)

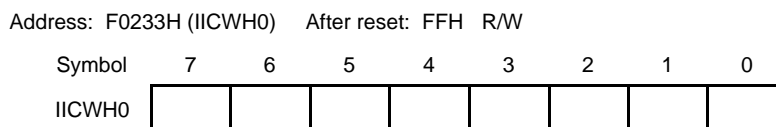
This register is used to set the high-level width of the SCLA0 pin signal that is output by serial interface IICA.

The IICWH0 register can be set by an 8-bit memory manipulation instruction.

Set the IICWH0 register while operation of I²C is disabled (bit 7 (IICE0) of IICA control register 00 (IICCTL00) is 0).

Reset signal generation sets this register to FFH.

Figure 13-11. Format of IICA High-Level Width Setting Register 0 (IICWH0)



<R> **Remark** For setting procedures of the transfer clock on master side and of the IICWL0 and IICWH0 registers on slave side, see **13.4.2 (1)** and **13.4.2 (2)**, respectively.

13.3.8 Port mode register 6 (PM6)

This register sets the input/output of port 6 in 1-bit units.

When using the P60/SCLA0/SEG21 pin as clock I/O and the P61/SDAA0/SEG20 pin as serial data I/O, clear PM60 and PM61, and the output latches of P60 and P61 to 0.

Set the IICE0 bit (bit 7 of IICA control register 00 (IICCTL00)) to 1 before setting the output mode because the P60/SCLA0/SEG21 and P61/SDAA0/SEG20 pins output a low level (fixed) when the IICE0 bit is 0.

The PM6 register can be set by a 1-bit or 8-bit memory manipulation instruction.

Reset signal generation sets this register to FFH.

Figure 13-12. Format of Port Mode Register 6 (PM6)

Address: FFF26H After reset: FFH R/W

Symbol	7	6	5	4	3	2	1	0
PM6	1	1	1	1	1	1	PM61	PM60

PM6n	P6n pin I/O mode selection (n = 0, 1)
0	Output mode (output buffer on)
1	Input mode (output buffer off)

13.4 I²C Bus Mode Functions

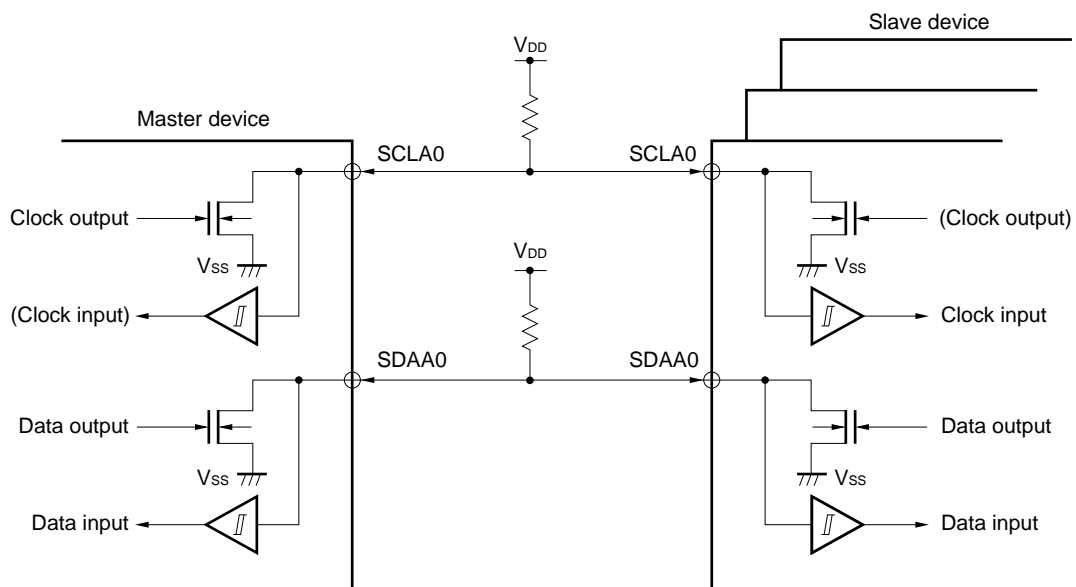
13.4.1 Pin configuration

The serial clock pin (SCLA0) and the serial data bus pin (SDAA0) are configured as follows.

- (1) SCLA0 This pin is used for serial clock input and output.
This pin is an N-ch open-drain output for both master and slave devices. Input is Schmitt input.
- (2) SDAA0 This pin is used for serial data input and output.
This pin is an N-ch open-drain output for both master and slave devices. Input is Schmitt input.

Since outputs from the serial clock line and the serial data bus line are N-ch open-drain outputs, an external pull-up resistor is required.

Figure 13-13. Pin Configuration Diagram



13.4.2 Setting transfer clock by using IICWLO and IICWH0 registers

(1) Setting transfer clock on master side

$$\text{Transfer clock} = \frac{f_{\text{CLK}}}{\text{IICWLO} + \text{IICWH0} + f_{\text{CLK}}(t_{\text{R}} + t_{\text{F}})}$$

At this time, the optimal setting values of the IICWLO and IICWH0 registers are as follows.
(The fractional parts of all setting values are rounded up.)

- When the fast mode

$$\begin{aligned} \text{IICWLO} &= \frac{0.52}{\text{Transfer clock}} \times f_{\text{CLK}} \\ \text{IICWH0} &= \left(\frac{0.48}{\text{Transfer clock}} - t_{\text{R}} - t_{\text{F}} \right) \times f_{\text{CLK}} \end{aligned}$$

- When the normal mode

$$\begin{aligned} \text{IICWLO} &= \frac{0.47}{\text{Transfer clock}} \times f_{\text{CLK}} \\ \text{IICWH0} &= \left(\frac{0.53}{\text{Transfer clock}} - t_{\text{R}} - t_{\text{F}} \right) \times f_{\text{CLK}} \end{aligned}$$

- When the fast mode plus

$$\begin{aligned} \text{IICWLO} &= \frac{0.50}{\text{Transfer clock}} \times f_{\text{CLK}} \\ \text{IICWH0} &= \left(\frac{0.50}{\text{Transfer clock}} - t_{\text{R}} - t_{\text{F}} \right) \times f_{\text{CLK}} \end{aligned}$$

(2) Setting IICWLO and IICWH0 registers on slave side

(The fractional parts of all setting values are truncated.)

- When the fast mode

$$\begin{aligned} \text{IICWLO} &= 1.3 \mu\text{s} \times f_{\text{CLK}} \\ \text{IICWH0} &= (1.2 \mu\text{s} - t_{\text{R}} - t_{\text{F}}) \times f_{\text{CLK}} \end{aligned}$$

- When the normal mode

$$\begin{aligned} \text{IICWLO} &= 4.7 \mu\text{s} \times f_{\text{CLK}} \\ \text{IICWH0} &= (5.3 \mu\text{s} - t_{\text{R}} - t_{\text{F}}) \times f_{\text{CLK}} \end{aligned}$$

- When the fast mode plus

$$\begin{aligned} \text{IICWLO} &= 0.50 \mu\text{s} \times f_{\text{CLK}} \\ \text{IICWH0} &= (0.50 \mu\text{s} - t_{\text{R}} - t_{\text{F}}) \times f_{\text{CLK}} \end{aligned}$$

(**Caution** and **Remarks** are listed on the next page.)

Caution Note the minimum f_{CLK} operation frequency when setting the transfer clock. The minimum f_{CLK} operation frequency for serial interface IICA is determined according to the mode.

Fast mode: $f_{CLK} = 3.5 \text{ MHz (MIN.)}$

Fast mode plus: $f_{CLK} = 10 \text{ MHz (MIN.)}$

Normal mode: $f_{CLK} = 1 \text{ MHz (MIN.)}$

In addition, the fastest operation frequency of the operation clock of the serial interface IICA is 20 MHz (Max.). If the f_{CLK} exceeds 20 MHz, set the clock to $f_{CLK}/2$ by setting the PRS0 bit of IICCTL01 register to 1.

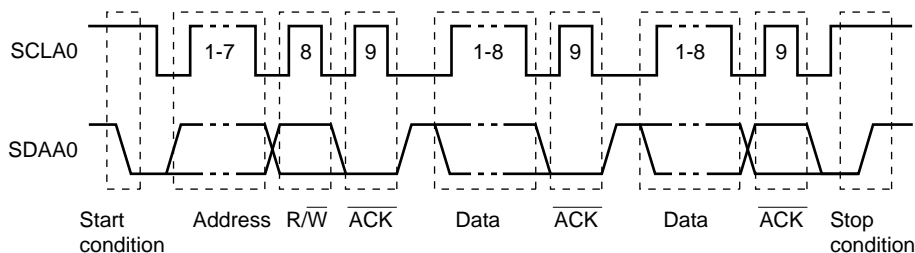
Remarks 1. Calculate the rise time (t_R) and fall time (t_F) of the SDAA0 and SCLA0 signals separately, because they differ depending on the pull-up resistance and wire load.

- 2.**
- IICWL0: IICA low-level width setting register 0
 - IICWH0: IICA high-level width setting register 0
 - t_F : SDAA0 and SCLA0 signal falling times
 - t_R : SDAA0 and SCLA0 signal rising times
 - f_{CLK} : CPU/peripheral hardware clock frequency

13.5 I²C Bus Definitions and Control Methods

The following section describes the I²C bus's serial data communication format and the signals used by the I²C bus. Figure 13-14 shows the transfer timing for the "start condition", "address", "data", and "stop condition" output via the I²C bus's serial data bus.

Figure 13-14. I²C Bus Serial Data Transfer Timing



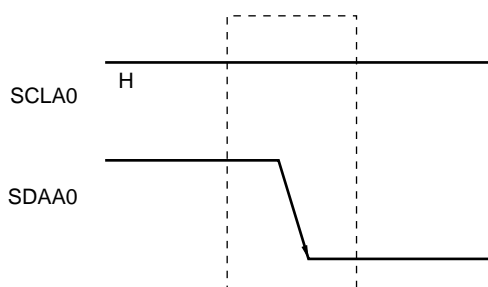
The master device generates the start condition, slave address, and stop condition. The acknowledge ($\overline{\text{ACK}}$) can be generated by either the master or slave device (normally, it is output by the device that receives 8-bit data).

The serial clock (SCLA0) is continuously output by the master device. However, in the slave device, the SCLA0 pin low level period can be extended and a wait can be inserted.

13.5.1 Start conditions

A start condition is met when the SCLA0 pin is at high level and the SDAA0 pin changes from high level to low level. The start conditions for the SCLA0 pin and SDAA0 pin are signals that the master device generates to the slave device when starting a serial transfer. When the device is used as a slave, start conditions can be detected.

Figure 13-15. Start Conditions



A start condition is output when bit 1 (STT0) of IICA control register 00 (IICCTL00) is set (1) after a stop condition has been detected (SPD0: Bit 0 of the IICA status register 0 (IICS0) = 1). When a start condition is detected, bit 1 (STD0) of the IICS0 register is set (1).

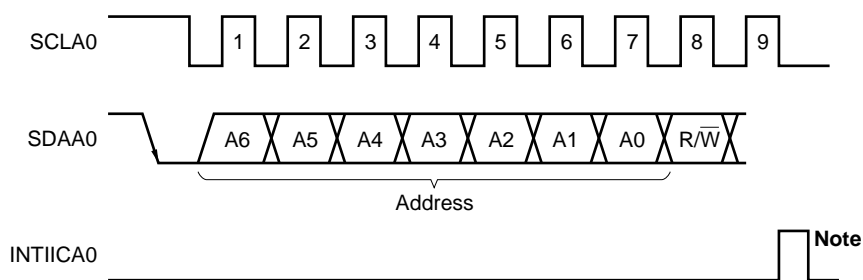
13.5.2 Addresses

The address is defined by the 7 bits of data that follow the start condition.

An address is a 7-bit data segment that is output in order to select one of the slave devices that are connected to the master device via the bus lines. Therefore, each slave device connected via the bus lines must have a unique address.

The slave devices include hardware that detects the start condition and checks whether or not the 7-bit address data matches the data values stored in the slave address register 0 (SVA0). If the address data matches the SVA0 register values, the slave device is selected and communicates with the master device until the master device generates a start condition or stop condition.

Figure 13-16. Address



Note INTIICA0 is not issued if data other than a local address or extension code is received during slave device operation.

Addresses are output when a total of 8 bits consisting of the slave address and the transfer direction described in **13.5.3 Transfer direction specification** are written to the IICA shift register 0 (IICA0). The received addresses are written to the IICA0 register.

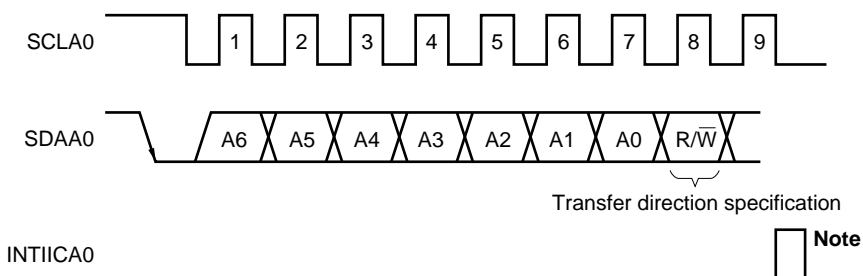
The slave address is assigned to the higher 7 bits of the IICA0 register.

13.5.3 Transfer direction specification

In addition to the 7-bit address data, the master device sends 1 bit that specifies the transfer direction.

When this transfer direction specification bit has a value of "0", it indicates that the master device is transmitting data to a slave device. When the transfer direction specification bit has a value of "1", it indicates that the master device is receiving data from a slave device.

Figure 13-17. Transfer Direction Specification



Note INTIICA0 is not issued if data other than a local address or extension code is received during slave device operation.

13.5.4 Acknowledge ($\overline{\text{ACK}}$)

$\overline{\text{ACK}}$ is used to check the status of serial data at the transmission and reception sides.

The reception side returns $\overline{\text{ACK}}$ each time it has received 8-bit data.

The transmission side usually receives $\overline{\text{ACK}}$ after transmitting 8-bit data. When $\overline{\text{ACK}}$ is returned from the reception side, it is assumed that reception has been correctly performed and processing is continued. Whether $\overline{\text{ACK}}$ has been detected can be checked by using bit 2 (ACKD0) of the IICA status register 0 (IICS0).

When the master receives the last data item, it does not return $\overline{\text{ACK}}$ and instead generates a stop condition. If a slave does not return $\overline{\text{ACK}}$ after receiving data, the master outputs a stop condition or restart condition and stops transmission. If $\overline{\text{ACK}}$ is not returned, the possible causes are as follows.

- <1> Reception was not performed normally.
- <2> The final data item was received.
- <3> The reception side specified by the address does not exist.

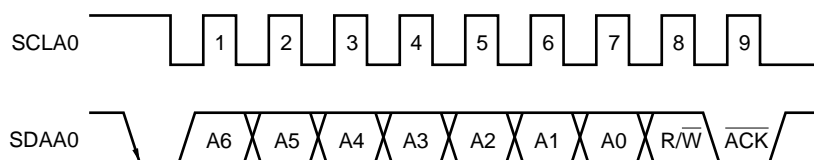
To generate $\overline{\text{ACK}}$, the reception side makes the SDAA0 line low at the ninth clock (indicating normal reception).

Automatic generation of $\overline{\text{ACK}}$ is enabled by setting bit 2 (ACKE0) of IICA control register 00 (IICCTL00) to 1. Bit 3 (TRC0) of the IICS0 register is set by the data of the eighth bit that follows 7-bit address information. Usually, set the ACKE0 bit to 1 for reception (TRC0 = 0).

If a slave can receive no more data during reception (TRC0 = 0) or does not require the next data item, then the slave must inform the master, by clearing the ACKE0 bit to 0, that it will not receive any more data.

When the master does not require the next data item during reception (TRC0 = 0), it must clear the ACKE0 bit to 0 so that $\overline{\text{ACK}}$ is not generated. In this way, the master informs a slave at the transmission side that it does not require any more data (transmission will be stopped).

Figure 13-18. $\overline{\text{ACK}}$



When the local address is received, $\overline{\text{ACK}}$ is automatically generated, regardless of the value of the ACKE0 bit. When an address other than that of the local address is received, $\overline{\text{ACK}}$ is not generated (NACK).

When an extension code is received, $\overline{\text{ACK}}$ is generated if the ACKE0 bit is set to 1 in advance.

How $\overline{\text{ACK}}$ is generated when data is received differs as follows depending on the setting of the wait timing.

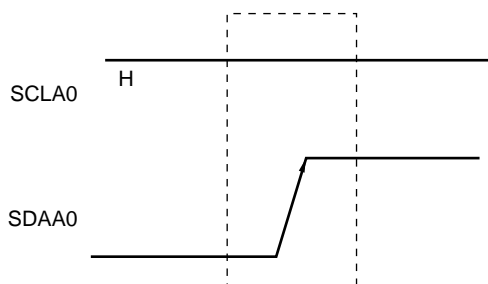
- When 8-clock wait state is selected (bit 3 (WTIM0) of IICCTL00 register = 0):
By setting the ACKE0 bit to 1 before releasing the wait state, $\overline{\text{ACK}}$ is generated at the falling edge of the eighth clock of the SCLA0 pin.
- When 9-clock wait state is selected (bit 3 (WTIM0) of IICCTL00 register = 1):
 $\overline{\text{ACK}}$ is generated by setting the ACKE0 bit to 1 in advance.

13.5.5 Stop condition

When the SCLA0 pin is at high level, changing the SDAA0 pin from low level to high level generates a stop condition.

A stop condition is a signal that the master device generates to the slave device when serial transfer has been completed. When the device is used as a slave, stop conditions can be detected.

Figure 13-19. Stop Condition



A stop condition is generated when bit 0 (SPT0) of IICA control register 00 (IICCTL00) is set to 1. When the stop condition is detected, bit 0 (SPD0) of the IICA status register 0 (IICS0) is set to 1 and INTIICA0 is generated when bit 4 (SPIE0) of the IICCTL00 register is set to 1.

13.5.6 Wait

The wait is used to notify the communication partner that a device (master or slave) is preparing to transmit or receive data (i.e., is in a wait state).

Setting the SCLA0 pin to low level notifies the communication partner of the wait state. When wait state has been canceled for both the master and slave devices, the next data transfer can begin.

Figure 13-20. Wait (1/2)

(1) When master device has a nine-clock wait and slave device has an eight-clock wait (master transmits, slave receives, and ACKE0 = 1)

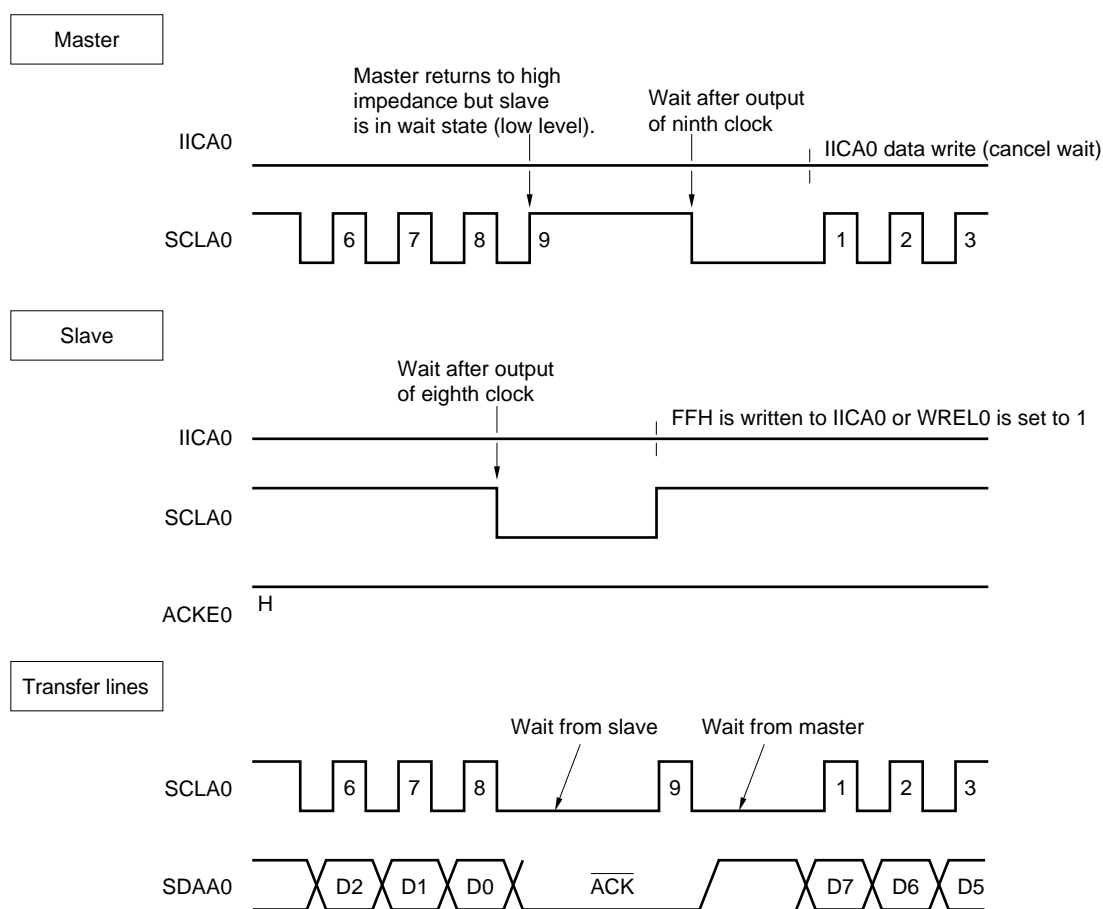
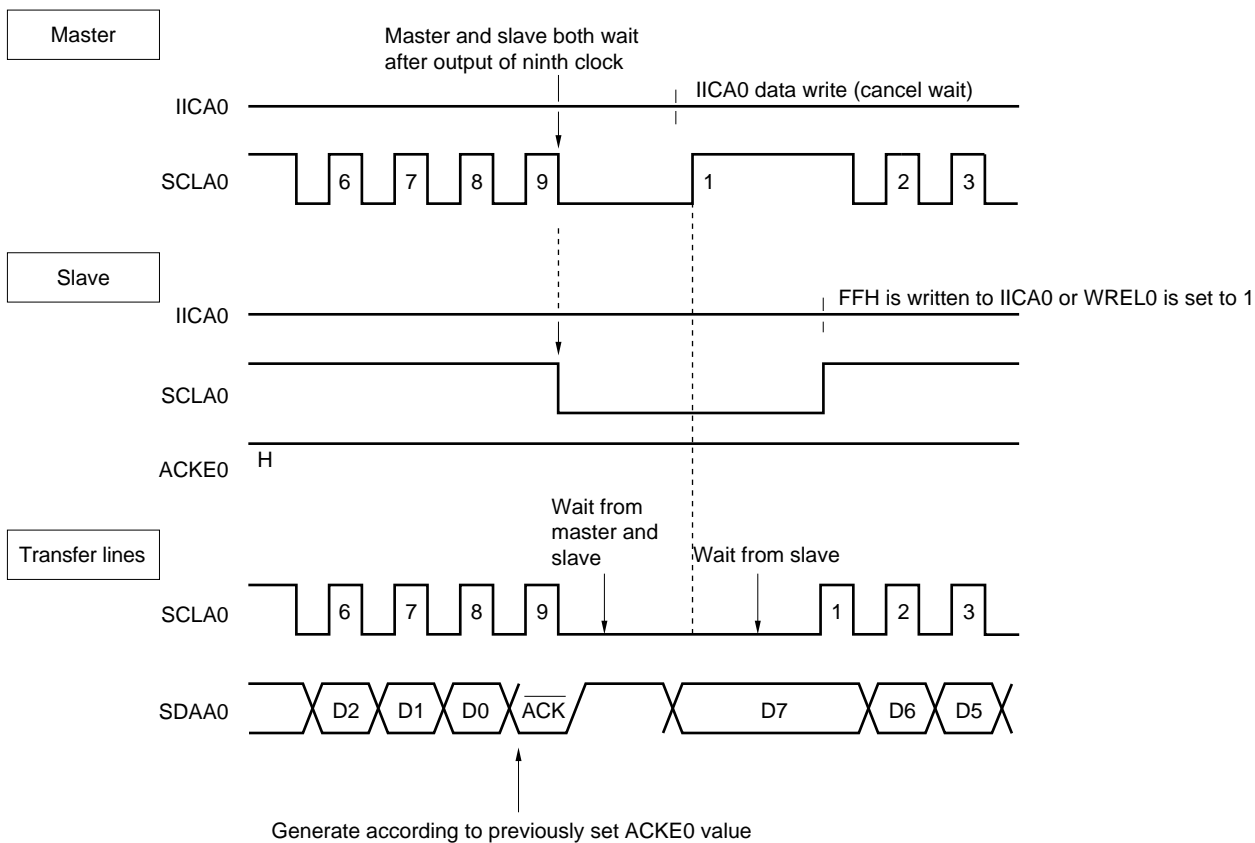


Figure 13-20. Wait (2/2)

(2) When master and slave devices both have a nine-clock wait
(master transmits, slave receives, and ACKE0 = 1)



Remark ACKE0: Bit 2 of IICA control register 00 (IICCTL00)
WREL0: Bit 5 of IICA control register 00 (IICCTL00)

A wait may be automatically generated depending on the setting of bit 3 (WTIM0) of IICA control register 00 (IICCTL00). Normally, the receiving side cancels the wait state when bit 5 (WREL0) of the IICCTL00 register is set to 1 or when FFH is written to the IICA shift register 0 (IICA0), and the transmitting side cancels the wait state when data is written to the IICA0 register.

The master device can also cancel the wait state via either of the following methods.

- By setting bit 1 (STT0) of the IICCTL00 register to 1
- By setting bit 0 (SPT0) of the IICCTL00 register to 1

13.5.7 Canceling wait

The I²C usually cancels a wait state by the following processing.

- Writing data to the IICA shift register 0 (IICA0)
- Setting bit 5 (WRELO) of IICA control register 00 (IICCTL00) (canceling wait)
- Setting bit 1 (STT0) of the IICCTL00 register (generating start condition)^{Note}
- Setting bit 0 (SPT0) of the IICCTL00 register (generating stop condition)^{Note}

Note Master only

When the above wait canceling processing is executed, the I²C cancels the wait state and communication is resumed.

To cancel a wait state and transmit data (including addresses), write the data to the IICA0 register.

To receive data after canceling a wait state, or to complete data transmission, set bit 5 (WRELO) of the IICCTL00 register to 1.

To generate a restart condition after canceling a wait state, set bit 1 (STT0) of the IICCTL00 register to 1.

To generate a stop condition after canceling a wait state, set bit 0 (SPT0) of the IICCTL00 register to 1.

Execute the canceling processing only once for one wait state.

If, for example, data is written to the IICA0 register after canceling a wait state by setting the WRELO bit to 1, an incorrect value may be output to SDA0 line because the timing for changing the SDA0 line conflicts with the timing for writing the IICA0 register.

In addition to the above, communication is stopped if the IICE0 bit is cleared to 0 when communication has been aborted, so that the wait state can be canceled.

If the I²C bus has deadlocked due to noise, processing is saved from communication by setting bit 6 (LRELO) of the IICCTL00 register, so that the wait state can be canceled.

Caution If a processing to cancel a wait state is executed when WUP0 = 1, the wait state will not be canceled.

13.5.8 Interrupt request (INTIICA0) generation timing and wait control

The setting of bit 3 (WTIM0) of IICA control register 00 (IICCTL00) determines the timing by which INTIICA0 is generated and the corresponding wait control, as shown in Table 13-2.

Table 13-2. INTIICA0 Generation Timing and Wait Control

WTIM0	During Slave Device Operation			During Master Device Operation		
	Address	Data Reception	Data Transmission	Address	Data Reception	Data Transmission
0	g ^{Notes 1, 2}	g ^{Note 2}	g ^{Note 2}	9	8	8
1	g ^{Notes 1, 2}	g ^{Note 2}	g ^{Note 2}	9	9	9

Notes 1. The slave device's INTIICA0 signal and wait period occurs at the falling edge of the ninth clock only when there is a match with the address set to the slave address register 0 (SVA0).

At this point, \overline{ACK} is generated regardless of the value set to the IICCTL00 register's bit 2 (ACKE0). For a slave device that has received an extension code, INTIICA0 occurs at the falling edge of the eighth clock.

However, if the address does not match after restart, INTIICA0 is generated at the falling edge of the 9th clock, but wait does not occur.

- 2.** If the received address does not match the contents of the slave address register 0 (SVA0) and extension code is not received, neither INTIICA0 nor a wait occurs.

Remark The numbers in the table indicate the number of the serial clock's clock signals. Interrupt requests and wait control are both synchronized with the falling edge of these clock signals.

(1) During address transmission/reception

- Slave device operation: Interrupt and wait timing are determined depending on the conditions described in Notes 1 and 2 above, regardless of the WTIM0 bit.
- Master device operation: Interrupt and wait timing occur at the falling edge of the ninth clock regardless of the WTIM0 bit.

(2) During data reception

- Master/slave device operation: Interrupt and wait timing are determined according to the WTIM0 bit.

(3) During data transmission

- Master/slave device operation: Interrupt and wait timing are determined according to the WTIM0 bit.

(4) Wait cancellation method

The four wait cancellation methods are as follows.

- Writing data to the IICA shift register 0 (IICA0)
- Setting bit 5 (WRELO) of IICA control register 00 (IICCTL00) (canceling wait)
- Setting bit 1 (STT0) of IICCTL00 register (generating start condition)^{Note}
- Setting bit 0 (SPT0) of IICCTL00 register (generating stop condition)^{Note}

Note Master only.

When an 8-clock wait has been selected (WTIM0 = 0), the presence/absence of \overline{ACK} generation must be determined prior to wait cancellation.

(5) Stop condition detection

INTIICA0 is generated when a stop condition is detected (only when SPIE0 = 1).

13.5.9 Address match detection method

In I²C bus mode, the master device can select a particular slave device by transmitting the corresponding slave address.

Address match can be detected automatically by hardware. An interrupt request (INTIICA0) occurs when the address set to the slave address register 0 (SVA0) matches the slave address sent by the master device, or when an extension code has been received.

13.5.10 Error detection

In I²C bus mode, the status of the serial data bus (SDAA0) during data transmission is captured by the IICA shift register 0 (IICA0) of the transmitting device, so the IICA data prior to transmission can be compared with the transmitted IICA data to enable detection of transmission errors. A transmission error is judged as having occurred when the compared data values do not match.

13.5.11 Extension code

- (1) When the higher 4 bits of the receive address are either "0000" or "1111", the extension code reception flag (EXC0) is set to 1 for extension code reception and an interrupt request (INTIICA0) is issued at the falling edge of the eighth clock. The local address stored in the slave address register 0 (SVA0) is not affected.
- (2) The settings below are specified if 11110xx0 is transferred from the master by using a 10-bit address transfer when the SVA0 register is set to 11110xx0. Note that INTIICA0 occurs at the falling edge of the eighth clock.

- Higher four bits of data match: EXC0 = 1
- Seven bits of data match: COI0 = 1

Remark EXC0: Bit 5 of IICA status register 0 (IICS0)
COI0: Bit 4 of IICA status register 0 (IICS0)

- (3) Since the processing after the interrupt request occurs differs according to the data that follows the extension code, such processing is performed by software.
If the extension code is received while a slave device is operating, then the slave device is participating in communication even if its address does not match.
For example, after the extension code is received, if you do not wish to operate the target device as a slave device, set bit 6 (LREL0) of IICA control register 00 (IICCTL00) to 1 to set the standby mode for the next communication operation.

Table 13-3. Bit Definitions of Major Extension Codes

Slave Address	R/W Bit	Description
0 0 0 0 0 0 0	0	General call address
1 1 1 1 0 x x	0	10-bit slave address specification (during address authentication)
1 1 1 1 0 x x	1	10-bit slave address specification (after address match, when read command is issued)

Remark See the I²C bus specifications issued by NXP Semiconductors for details of extension codes other than those described above.

13.5.12 Arbitration

When several master devices simultaneously generate a start condition (when the STT0 bit is set to 1 before the STD0 bit is set to 1), communication among the master devices is performed as the number of clocks are adjusted until the data differs. This kind of operation is called arbitration.

When one of the master devices loses in arbitration, an arbitration loss flag (ALD0) in the IICA status register 0 (IICS0) is set (1) via the timing by which the arbitration loss occurred, and the SCLA0 and SDAA0 lines are both set to high impedance, which releases the bus.

The arbitration loss is detected based on the timing of the next interrupt request (the eighth or ninth clock, when a stop condition is detected, etc.) and the ALD0 = 1 setting that has been made by software.

For details of interrupt request timing, see **13.5.8 Interrupt request (INTIICA0) generation timing and wait control.**

Remark STD0: Bit 1 of IICA status register 0 (IICS0)
 STT0: Bit 1 of IICA control register 00 (IICCTL00)

Figure 13-21. Arbitration Timing Example

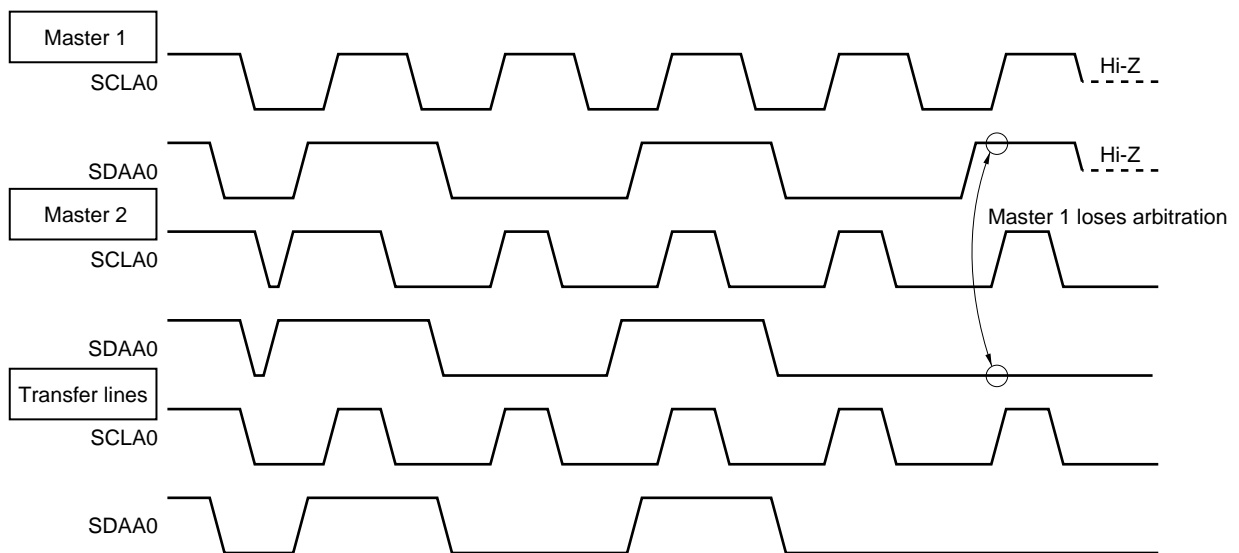


Table 13-4. Status During Arbitration and Interrupt Request Generation Timing

Status During Arbitration	Interrupt Request Generation Timing
During address transmission	At falling edge of eighth or ninth clock following byte transfer ^{Note 1}
Read/write data after address transmission	
During extension code transmission	
Read/write data after extension code transmission	
During data transmission	
During $\overline{\text{ACK}}$ transfer period after data transmission	
When restart condition is detected during data transfer	
When stop condition is detected during data transfer	When stop condition is generated (when SPIE0 = 1) ^{Note 2}
When data is at low level while attempting to generate a restart condition	At falling edge of eighth or ninth clock following byte transfer ^{Note 1}
When stop condition is detected while attempting to generate a restart condition	When stop condition is generated (when SPIE0 = 1) ^{Note 2}
When data is at low level while attempting to generate a stop condition	At falling edge of eighth or ninth clock following byte transfer ^{Note 1}
When SCLA0 is at low level while attempting to generate a restart condition	

- Notes 1.** When the WTIM0 bit (bit 3 of IICA control register 00 (IICCTL00)) = 1, an interrupt request occurs at the falling edge of the ninth clock. When WTIM0 = 0 and the extension code's slave address is received, an interrupt request occurs at the falling edge of the eighth clock.
- 2.** When there is a chance that arbitration will occur, set SPIE0 = 1 for master device operation.

Remark SPIE0: Bit 4 of IICA control register 00 (IICCTL00)

13.5.13 Wakeup function

The I²C bus slave function is a function that generates an interrupt request signal (INTIICA0) when a local address and extension code have been received.

This function makes processing more efficient by preventing unnecessary INTIICA0 signal from occurring when addresses do not match.

When a start condition is detected, wakeup standby mode is set. This wakeup standby mode is in effect while addresses are transmitted due to the possibility that an arbitration loss may change the master device (which has generated a start condition) to a slave device.

To use the wakeup function in the STOP mode, set the WUP0 bit to 1. Addresses can be received regardless of the operation clock. An interrupt request signal (INTIICA0) is also generated when a local address and extension code have been received. Operation returns to normal operation by using an instruction to clear (0) the WUP0 bit after this interrupt has been generated.

Figure 13-22 shows the flow for setting WUP0 = 1 and Figure 13-23 shows the flow for setting WUP0 = 0 upon an address match.

Figure 13-22. Flow When Setting WUP0 = 1

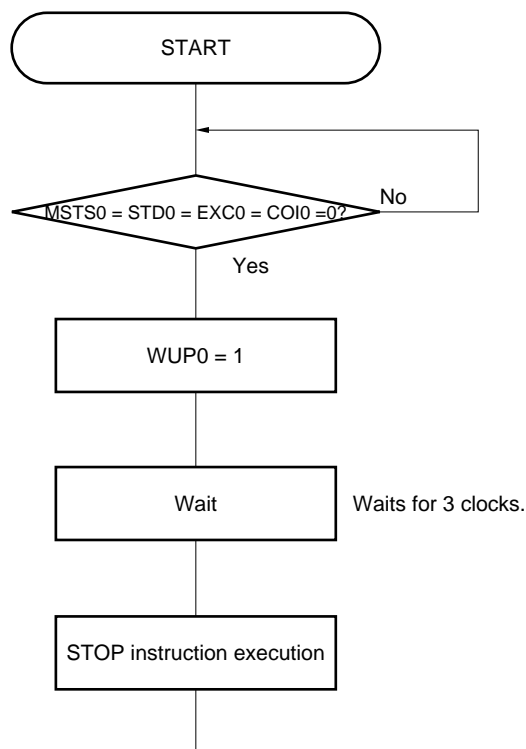
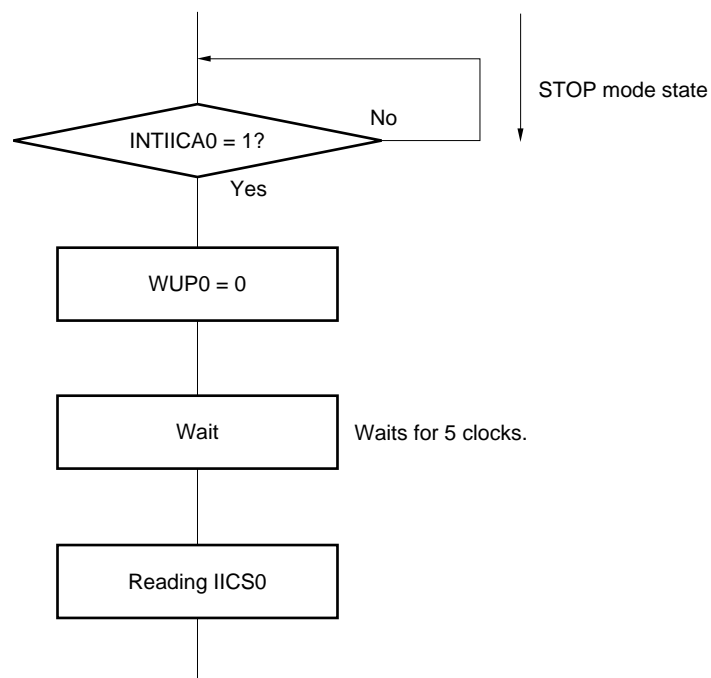


Figure 13-23. Flow When Setting WUP0 = 0 upon Address Match (Including Extension Code Reception)

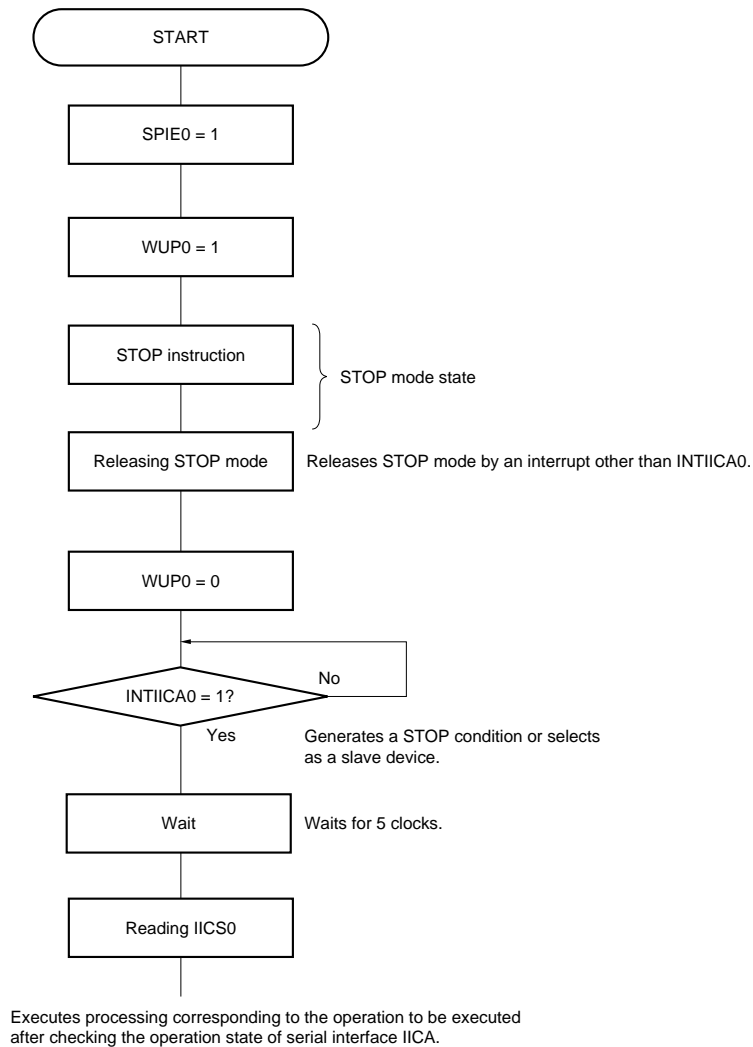


Executes processing corresponding to the operation to be executed after checking the operation state of serial interface IICA.

Use the following flows to perform the processing to release the STOP mode other than by an interrupt request (INTIICA0) generated from serial interface IICA.

- Master device operation: Flow shown in Figure 13-24
- Slave device operation: Same as the flow in Figure 13-23

Figure 13-24. When Operating as Master Device after Releasing STOP Mode other than by INTIICA0



13.5.14 Communication reservation

(1) When communication reservation function is enabled (bit 0 (IICRSV) of IICA flag register 0 (IICF0) = 0)

To start master device communications when not currently using a bus, a communication reservation can be made to enable transmission of a start condition when the bus is released. There are two modes under which the bus is not used.

- When arbitration results in neither master nor slave operation
- When an extension code is received and slave operation is disabled (\overline{ACK} is not returned and the bus was released by setting bit 6 (LRELO) of IICA control register 00 (IICCTL00) to 1 and saving communication).

If bit 1 (STT0) of the IICCTL00 register is set to 1 while the bus is not used (after a stop condition is detected), a start condition is automatically generated and wait state is set.

If an address is written to the IICA shift register 0 (IICA0) after bit 4 (SPIE0) of the IICCTL00 register was set to 1, and it was detected by generation of an interrupt request signal (INTIICA0) that the bus was released (detection of the stop condition), then the device automatically starts communication as the master. Data written to the IICA0 register before the stop condition is detected is invalid.

When the STT0 bit has been set to 1, the operation mode (as start condition or as communication reservation) is determined according to the bus status.

- If the bus has been released a start condition is generated
- If the bus has not been released (standby mode)..... communication reservation

Check whether the communication reservation operates or not by using the MSTSO bit (bit 7 of the IICA status register 0 (IICS0)) after the STT0 bit is set to 1 and the wait time elapses.

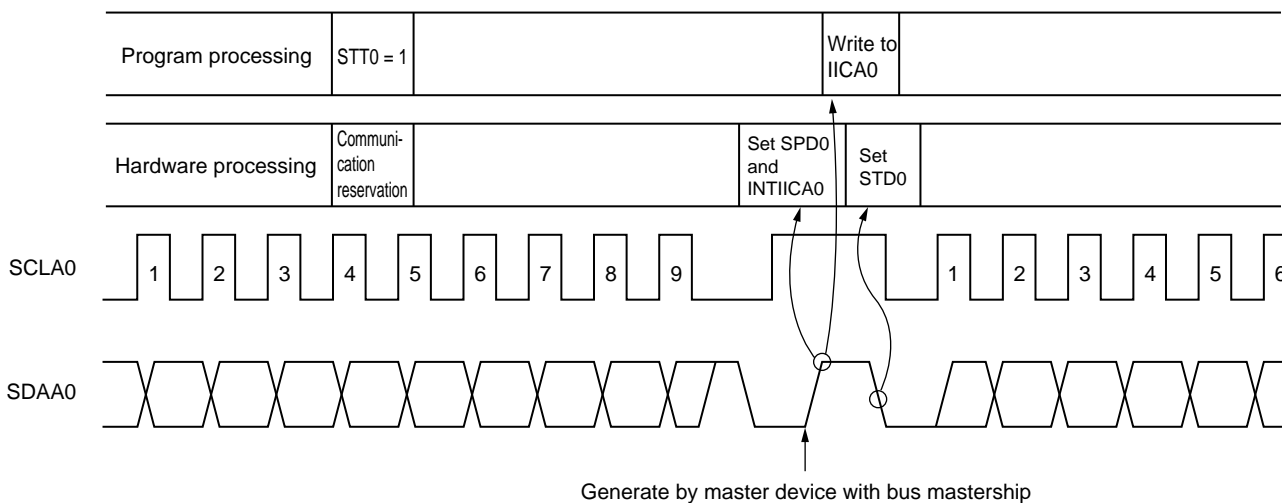
Use software to secure the wait time calculated by the following expression.

Wait time from setting STT0 = 1 to checking the MSTSO flag:
 $(IICWLO \text{ setting value} + IICWH0 \text{ setting value} + 4) + t_F \times 2 \times f_{CLK} \text{ [clocks]}$

Remark IICWLO: IICA low-level width setting register 0
 IICWH0: IICA high-level width setting register 0
 t_F : SDAA0 and SCLA0 signal falling times
 f_{CLK} : CPU/peripheral hardware clock frequency

Figure 13-25 shows the communication reservation timing.

Figure 13-25. Communication Reservation Timing



- Remark** IICA0: IICA shift register 0
- STT0: Bit 1 of IICA control register 00 (IICCTL00)
- STD0: Bit 1 of IICA status register 0 (IICS0)
- SPD0: Bit 0 of IICA status register 0 (IICS0)

Communication reservations are accepted via the timing shown in Figure 13-26. After bit 1 (STD0) of the IICA status register 0 (IICS0) is set to 1, a communication reservation can be made by setting bit 1 (STT0) of IICA control register 00 (IICCTL00) to 1 before a stop condition is detected.

Figure 13-26. Timing for Accepting Communication Reservations

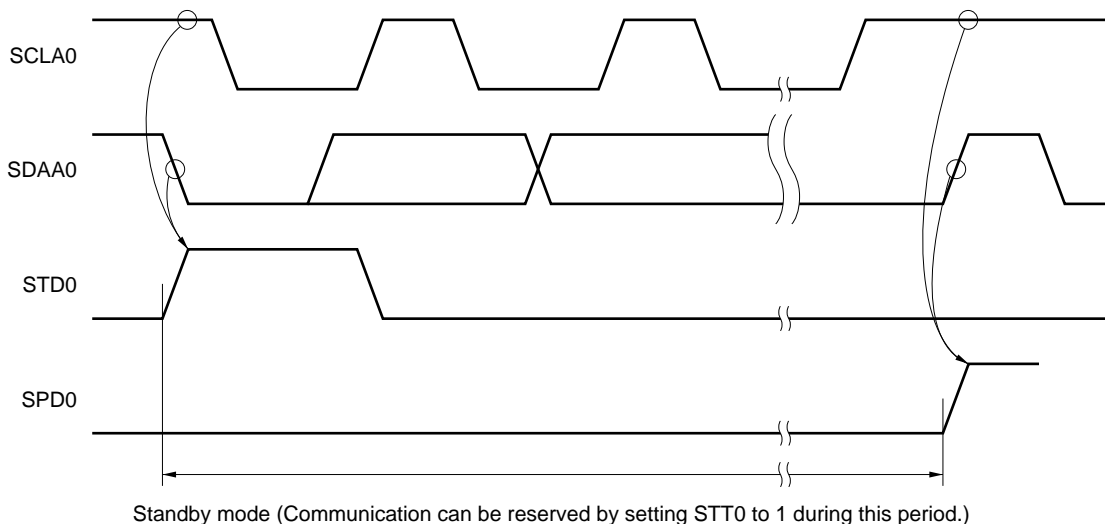
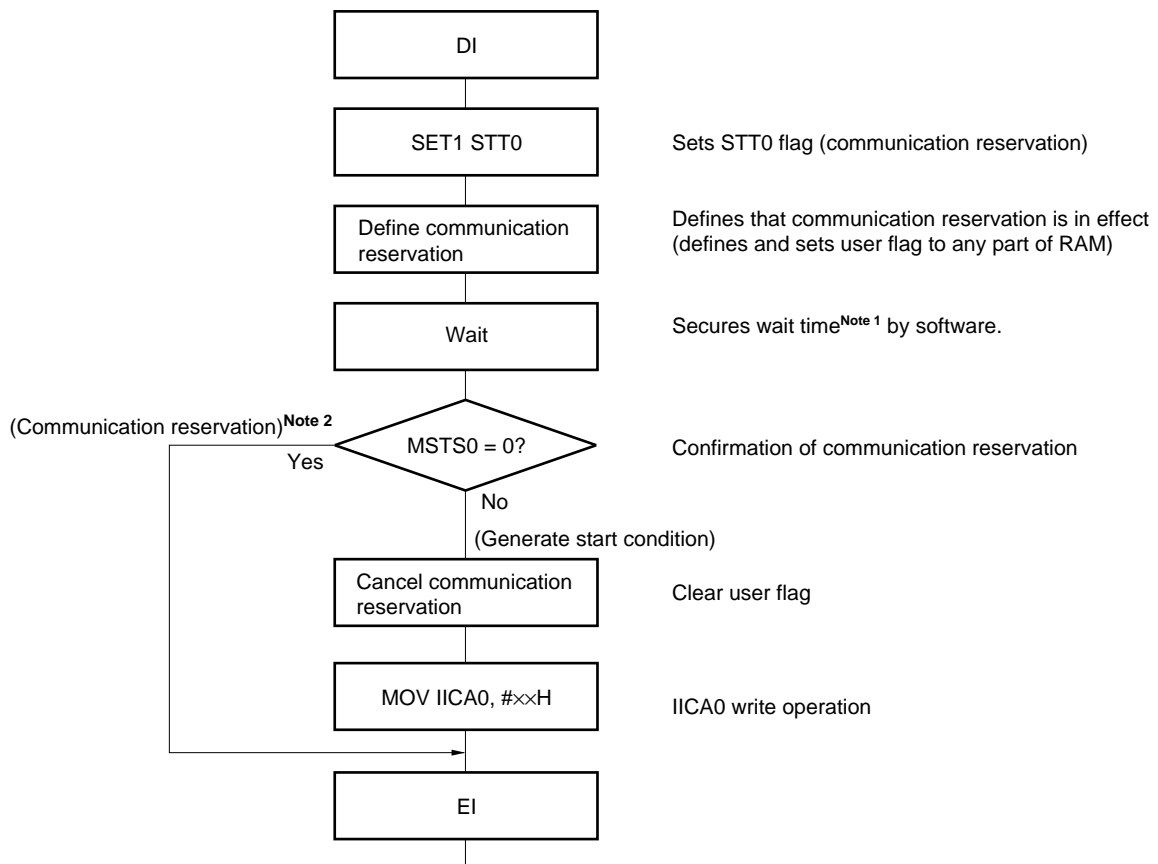


Figure 13-27 shows the communication reservation protocol.

Figure 13-27. Communication Reservation Protocol



Notes 1. The wait time is calculated as follows.

$$(\text{IICWL0 setting value} + \text{IICWH0 setting value} + 4) + t_F \times 2 \times f_{\text{CLK}} [\text{clocks}]$$

- 2.** The communication reservation operation executes a write to the IICA shift register 0 (IICA0) when a stop condition interrupt request occurs.

Remark

STT0: Bit 1 of IICA control register 00 (IICCTL00)
MSTS0: Bit 7 of IICA status register 0 (IICS0)
IICA0: IICA shift register 0
IICWL0: IICA low-level width setting register 0
IICWH0: IICA high-level width setting register 0
 t_F : SDAA0 and SCLA0 signal falling times
 f_{CLK} : CPU/peripheral hardware clock frequency

(2) When communication reservation function is disabled (bit 0 (IICRSV) of IICA flag register 0 (IICF0) = 1)

When bit 1 (STT0) of IICA control register 00 (IICCTL00) is set to 1 when the bus is not used in a communication during bus communication, this request is rejected and a start condition is not generated. The following two statuses are included in the status where bus is not used.

- When arbitration results in neither master nor slave operation
- When an extension code is received and slave operation is disabled (\overline{ACK} is not returned and the bus was released by setting bit 6 (LREL0) of the IICCTL00 register to 1 and saving communication)

To confirm whether the start condition was generated or request was rejected, check STCF (bit 7 of the IICF0 register). It takes up to 5 clocks until the STCF bit is set to 1 after setting STT0 = 1. Therefore, secure the time by software.

13.5.15 Cautions

(1) When STCEN = 0

Immediately after I²C operation is enabled (IICE0 = 1), the bus communication status (IICBSY = 1) is recognized regardless of the actual bus status. When changing from a mode in which no stop condition has been detected to a master device communication mode, first generate a stop condition to release the bus, then perform master device communication.

When using multiple masters, it is not possible to perform master device communication when the bus has not been released (when a stop condition has not been detected).

Use the following sequence for generating a stop condition.

- <1> Set IICA control register 01 (IICCTL01).
- <2> Set bit 7 (IICE0) of IICA control register 00 (IICCTL00) to 1.
- <3> Set bit 0 (SPT0) of the IICCTL00 register to 1.

(2) When STCEN = 1

Immediately after I²C operation is enabled (IICE0 = 1), the bus released status (IICBSY = 0) is recognized regardless of the actual bus status. To generate the first start condition (STT0 = 1), it is necessary to confirm that the bus has been released, so as to not disturb other communications.

(3) If other I²C communications are already in progress

If I²C operation is enabled and the device participates in communication already in progress when the SDAA0 pin is low and the SCLA0 pin is high, the macro of I²C recognizes that the SDAA0 pin has gone low (detects a start condition). If the value on the bus at this time can be recognized as an extension code, $\overline{\text{ACK}}$ is returned, but this interferes with other I²C communications. To avoid this, start I²C in the following sequence.

- <1> Clear bit 4 (SPIE0) of the IICCTL00 register to 0 to disable generation of an interrupt request signal (INTIICA0) when the stop condition is detected.
- <2> Set bit 7 (IICE0) of the IICCTL00 register to 1 to enable the operation of I²C.
- <3> Wait for detection of the start condition.
- <4> Set bit 6 (LREL0) of the IICCTL00 register to 1 before $\overline{\text{ACK}}$ is returned (4 to 80 clocks after setting the IICE0 bit to 1), to forcibly disable detection.

(4) Setting the STT0 and SPT0 bits (bits 1 and 0 of the IICCTL00 register) again after they are set and before they are cleared to 0 is prohibited.

(5) When transmission is reserved, set the SPIE0 bit (bit 4 of the IICCTL0 register) to 1 so that an interrupt request is generated when the stop condition is detected. Transfer is started when communication data is written to the IICA shift register 0 (IICA0) after the interrupt request is generated. Unless the interrupt is generated when the stop condition is detected, the device stops in the wait state because the interrupt request is not generated when communication is started. However, it is not necessary to set the SPIE0 bit to 1 when the MST0 bit (bit 7 of the IICA status register 0 (IICS0)) is detected by software.

13.5.16 Communication operations

The following shows three operation procedures with the flowchart.

(1) Master operation in single master system

The flowchart when using the RL78/L12 as the master in a single master system is shown below.

This flowchart is broadly divided into the initial settings and communication processing. Execute the initial settings at startup. If communication with the slave is required, prepare the communication and then execute communication processing.

(2) Master operation in multimaster system

In the I²C bus multimaster system, whether the bus is released or used cannot be judged by the I²C bus specifications when the bus takes part in a communication. Here, when data and clock are at a high level for a certain period (1 frame), the RL78/L12 takes part in a communication with bus released state.

This flowchart is broadly divided into the initial settings, communication waiting, and communication processing. The processing when the RL78/L12 loses in arbitration and is specified as the slave is omitted here, and only the processing as the master is shown. Execute the initial settings at startup to take part in a communication. Then, wait for the communication request as the master or wait for the specification as the slave. The actual communication is performed in the communication processing, and it supports the transmission/reception with the slave and the arbitration with other masters.

(3) Slave operation

An example of when the RL78/L12 is used as the I²C bus slave is shown below.

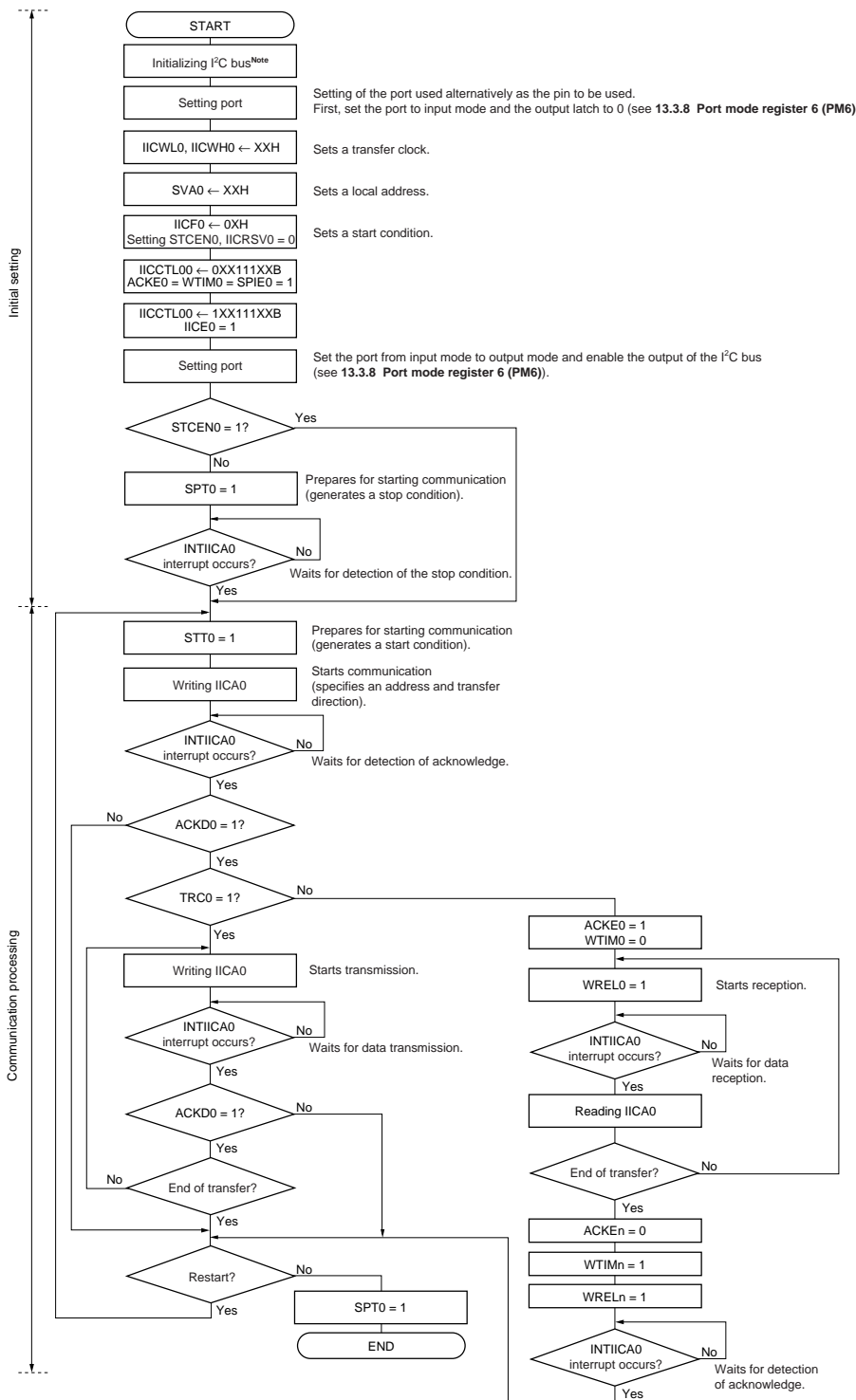
When used as the slave, operation is started by an interrupt. Execute the initial settings at startup, then wait for the INTIICA0 interrupt occurrence (communication waiting). When an INTIICA0 interrupt occurs, the communication status is judged and its result is passed as a flag over to the main processing.

By checking the flags, necessary communication processing is performed.

(1) Master operation in single-master system

<R>

Figure 13-28. Master Operation in Single-Master System



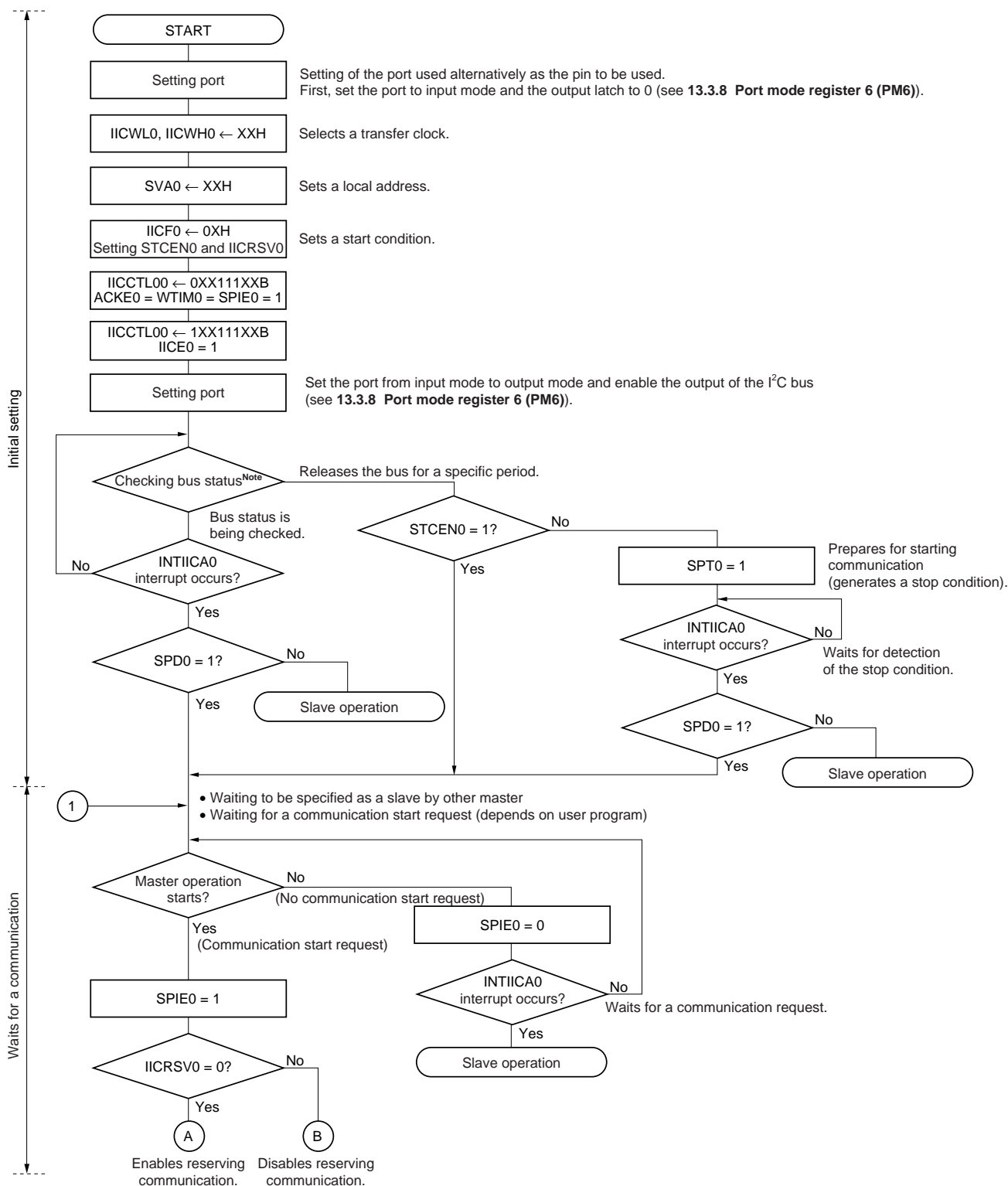
Note Release (SCLA0 and SDA0 pins = high level) the I²C bus in conformance with the specifications of the product that is communicating. If EEPROM is outputting a low level to the SDA0 pin, for example, set the SCLA0 pin in the output port mode, and output a clock pulse from the output port until the SDA0 pin is constantly at high level.

Remark Conform to the specifications of the product that is communicating, with respect to the transmission and reception formats.

(2) Master operation in multi-master system

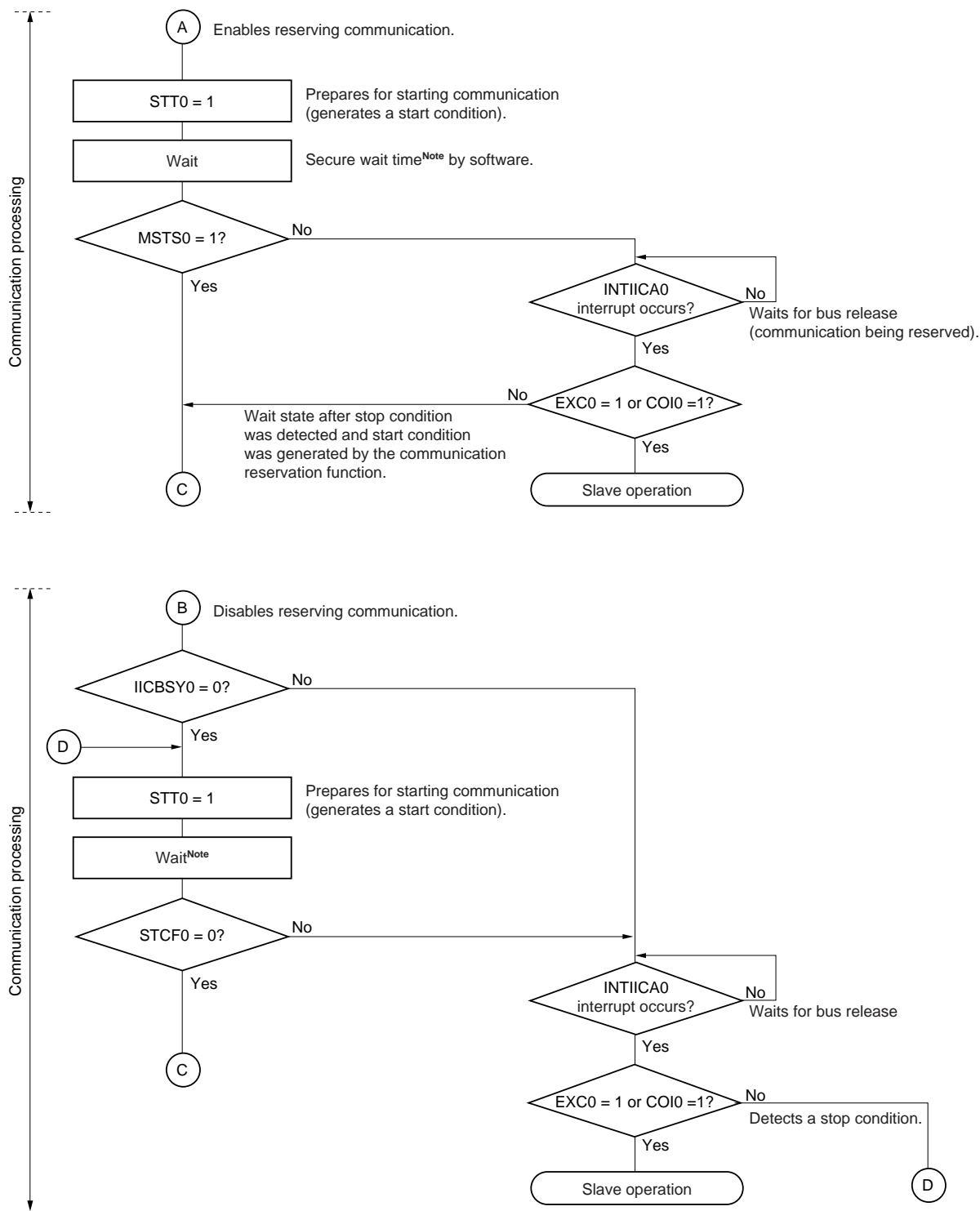
<R>

Figure 13-29. Master Operation in Multi-Master System (1/3)



Note Confirm that the bus is released (CLD0 bit = 1, DAD0 bit = 1) for a specific period (for example, for a period of one frame). If the SDA0 pin is constantly at low level, decide whether to release the I²C bus (SCLA0 and SDA0 pins = high level) in conformance with the specifications of the product that is communicating.

Figure 13-29. Master Operation in Multi-Master System (2/3)

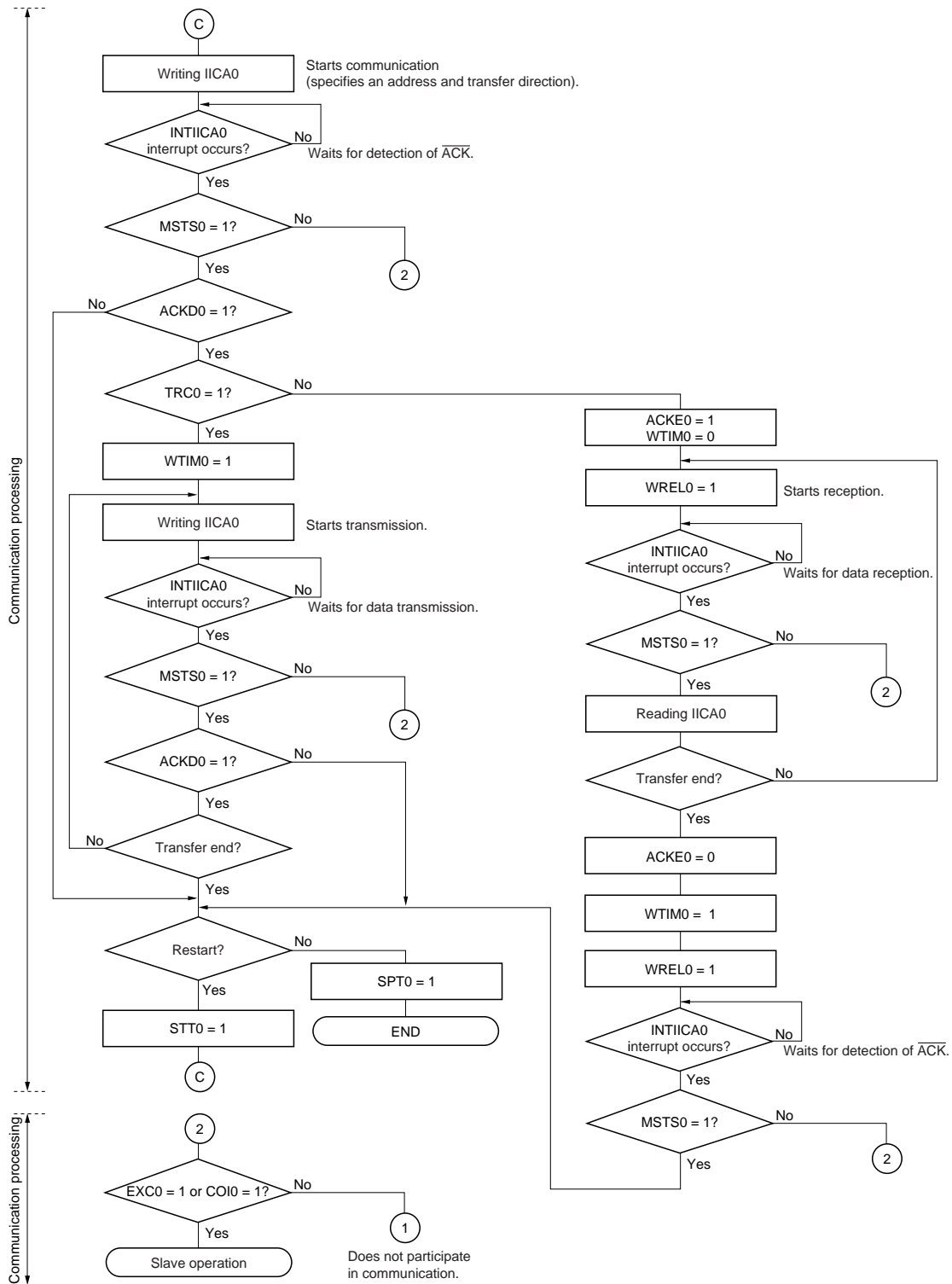


Note The wait time is calculated as follows.
 $(IICWL0 \text{ setting value} + IICWH0 \text{ setting value} + 4) \times f_{CLK} + t_F \times 2$ [clocks]

Remark IICWL0: IICA low-level width setting register 0
 IICWH0: IICA high-level width setting register 0
 t_F: SDAA0 and SCLA0 signal falling times
 f_{CLK}: CPU/peripheral hardware clock frequency

<R>

Figure 13-29. Master Operation in Multi-Master System (3/3)



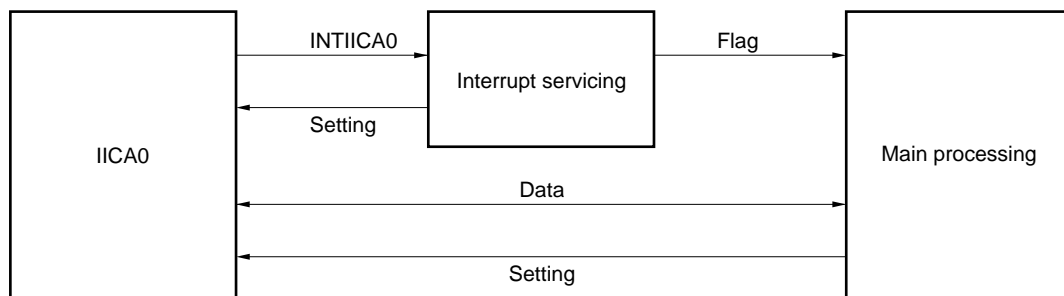
- Remarks**
1. Conform to the specifications of the product that is communicating, with respect to the transmission and reception formats.
 2. To use the device as a master in a multi-master system, read the MSTS0 bit each time interrupt INTIICA0 has occurred to check the arbitration result.
 3. To use the device as a slave in a multi-master system, check the status by using the IICA status register 0 (IICS0) and IICA flag register 0 (IICF0) each time interrupt INTIICA0 has occurred, and determine the processing to be performed next.

(3) Slave operation

The processing procedure of the slave operation is as follows.

Basically, the slave operation is event-driven. Therefore, processing by the INTIICA0 interrupt (processing that must substantially change the operation status such as detection of a stop condition during communication) is necessary.

In the following explanation, it is assumed that the extension code is not supported for data communication. It is also assumed that the INTIICA0 interrupt servicing only performs status transition processing, and that actual data communication is performed by the main processing.



Therefore, data communication processing is performed by preparing the following three flags and passing them to the main processing instead of INTIICA0.

<1> Communication mode flag

This flag indicates the following two communication statuses.

- Clear mode: Status in which data communication is not performed
- Communication mode: Status in which data communication is performed (from valid address detection to stop condition detection, no detection of $\overline{\text{ACK}}$ from master, address mismatch)

<2> Ready flag

This flag indicates that data communication is enabled. Its function is the same as the INTIICA0 interrupt for ordinary data communication. This flag is set by interrupt servicing and cleared by the main processing. Clear this flag by interrupt servicing when communication is started. However, the ready flag is not set by interrupt servicing when the first data is transmitted. Therefore, the first data is transmitted without the flag being cleared (an address match is interpreted as a request for the next data).

<3> Communication direction flag

This flag indicates the direction of communication. Its value is the same as the TRC0 bit.

The main processing of the slave operation is explained next.

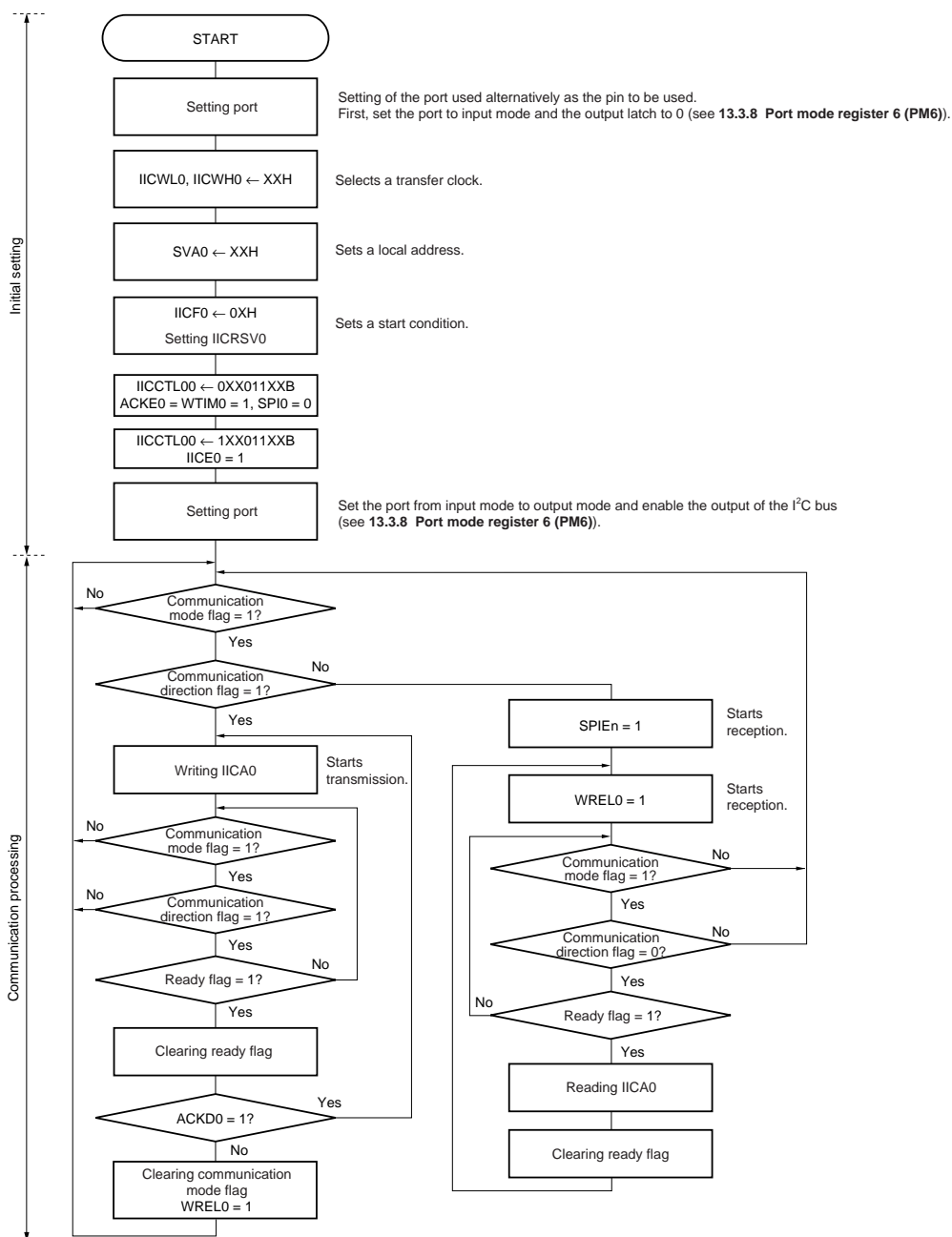
Start serial interface IICA and wait until communication is enabled. When communication is enabled, execute communication by using the communication mode flag and ready flag (processing of the stop condition and start condition is performed by an interrupt. Here, check the status by using the flags).

The transmission operation is repeated until the master no longer returns \overline{ACK} . If \overline{ACK} is not returned from the master, communication is completed.

For reception, the necessary amount of data is received. When communication is completed, \overline{ACK} is not returned as the next data. After that, the master generates a stop condition or restart condition. Exit from the communication status occurs in this way.

<R>

Figure 13-30. Slave Operation Flowchart (1)



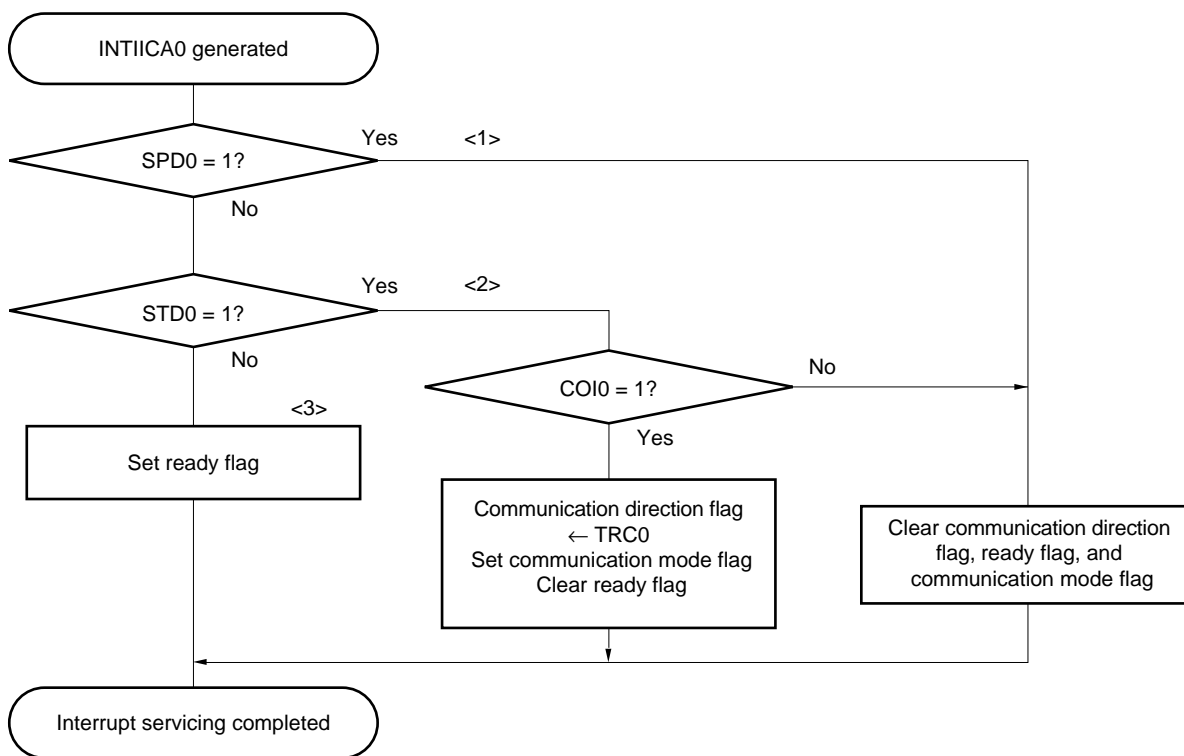
Remark Conform to the specifications of the product that is in communication, regarding the transmission and reception formats.

An example of the processing procedure of the slave with the INTIICA0 interrupt is explained below (processing is performed assuming that no extension code is used). The INTIICA0 interrupt checks the status, and the following operations are performed.

- <1> Communication is stopped if the stop condition is issued.
- <2> If the start condition is issued, the address is checked and communication is completed if the address does not match. If the address matches, the communication mode is set, wait is cancelled, and processing returns from the interrupt (the ready flag is cleared).
- <3> For data transmit/receive, only the ready flag is set. Processing returns from the interrupt with the I²C bus remaining in the wait state.

Remark <1> to <3> above correspond to <1> to <3> in Figure 13-31 Slave Operation Flowchart (2).

Figure 13-31. Slave Operation Flowchart (2)



13.5.17 Timing of I²C interrupt request (INTIICA0) occurrence

The timing of transmitting or receiving data and generation of interrupt request signal INTIICA0, and the value of the IICA status register 0 (IICS0) when the INTIICA0 signal is generated are shown below.

- Remark**
- ST: Start condition
 - AD6 to AD0: Address
 - R/W: Transfer direction specification
 - ACK: Acknowledge
 - D7 to D0: Data
 - SP: Stop condition

(1) Master device operation

(a) Start ~ Address ~ Data ~ Data ~ Stop (transmission/reception)

(i) When WTIM0 = 0

ST	AD6 to AD0	R/W	ACK	D7 to D0	ACK	D7 to D0	ACK	SP
			▲1		▲2		▲3	▲4 Δ5

SPT0 = 1
↓

▲1: IICS0 = 1000x110B
 ▲2: IICS0 = 1000x000B
 ▲3: IICS0 = 1000x000B (Sets the WTIM0 bit to 1)^{Note}
 ▲4: IICS0 = 1000xx00B (Sets the SPT0 bit to 1)^{Note}
 Δ5: IICS0 = 00000001B

Note To generate a stop condition, set the WTIM0 bit to 1 and change the timing for generating the INTIICA0 interrupt request signal.

Remark ▲: Always generated
 Δ: Generated only when SPIE0 = 1
 x: Don't care

(ii) When WTIM0 = 1

ST	AD6 to AD0	R/W	ACK	D7 to D0	ACK	D7 to D0	ACK	SP
			▲1		▲2		▲3	Δ4

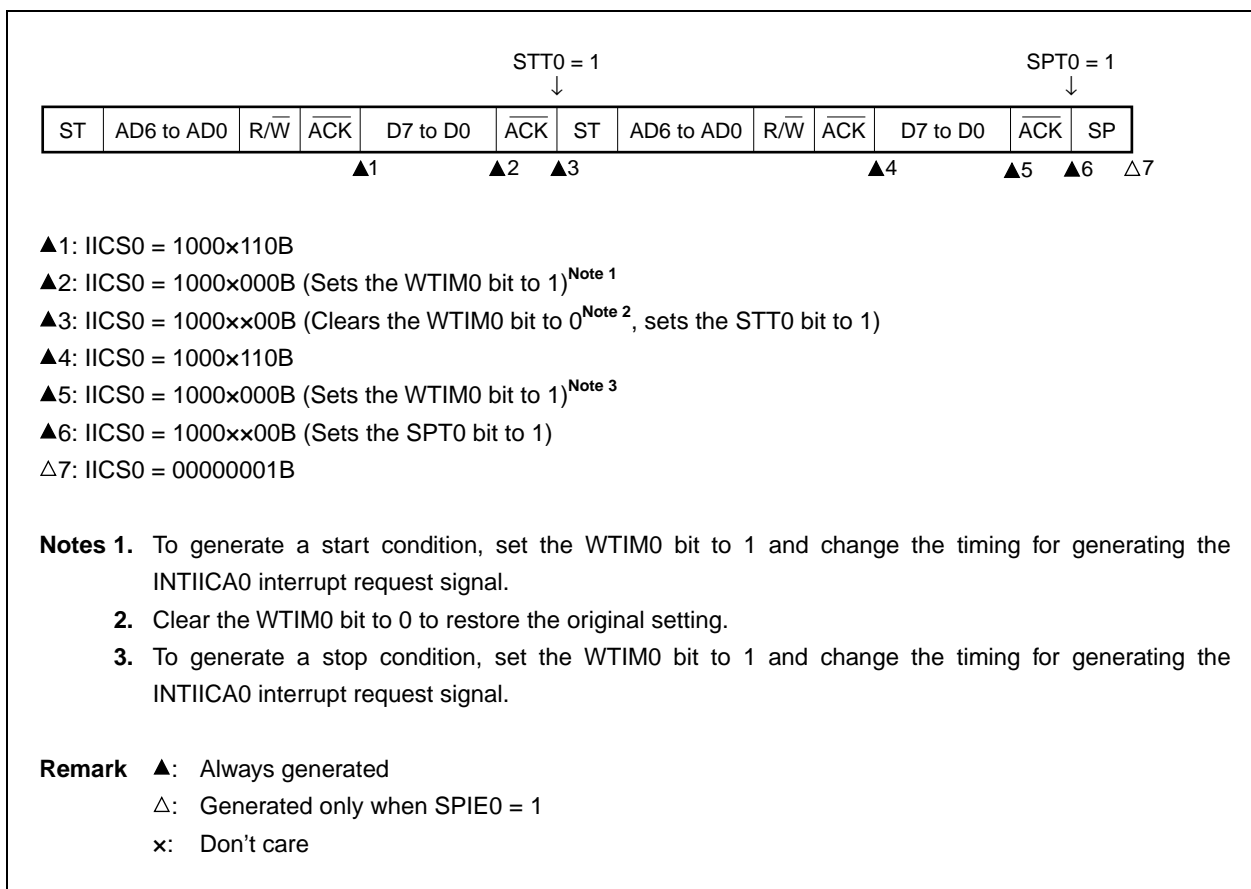
SPT0 = 1
↓

▲1: IICS0 = 1000x110B
 ▲2: IICS0 = 1000x100B
 ▲3: IICS0 = 1000xx00B (Sets the SPT0 bit to 1)
 Δ4: IICS0 = 00000001B

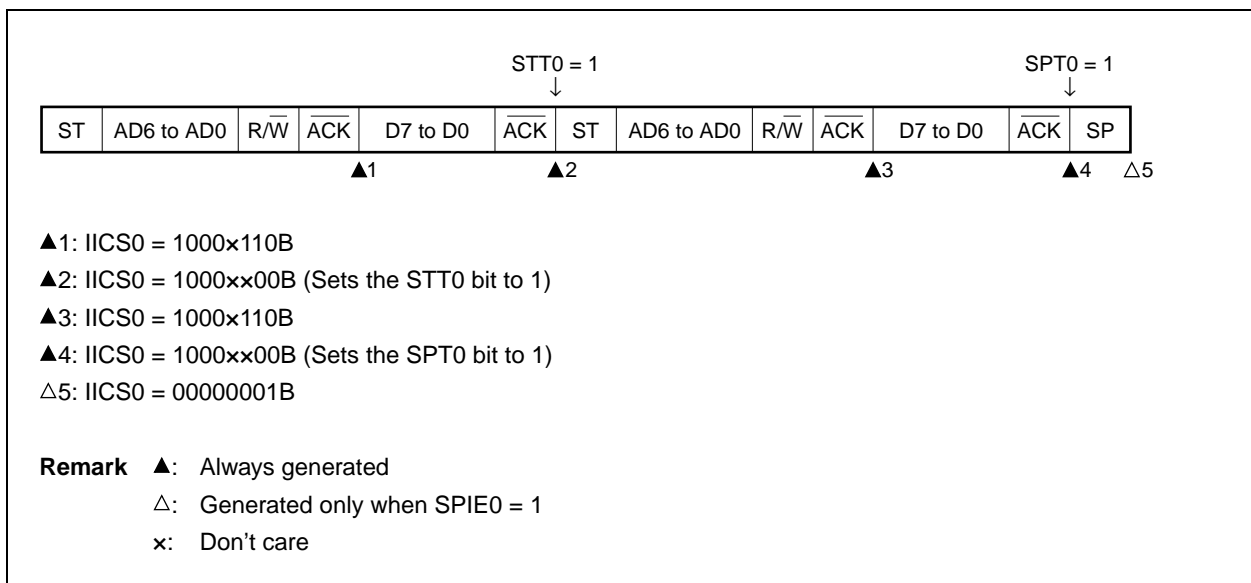
Remark ▲: Always generated
 Δ: Generated only when SPIE0 = 1
 x: Don't care

(b) Start ~ Address ~ Data ~ Start ~ Address ~ Data ~ Stop (restart)

(i) When WTIM0 = 0

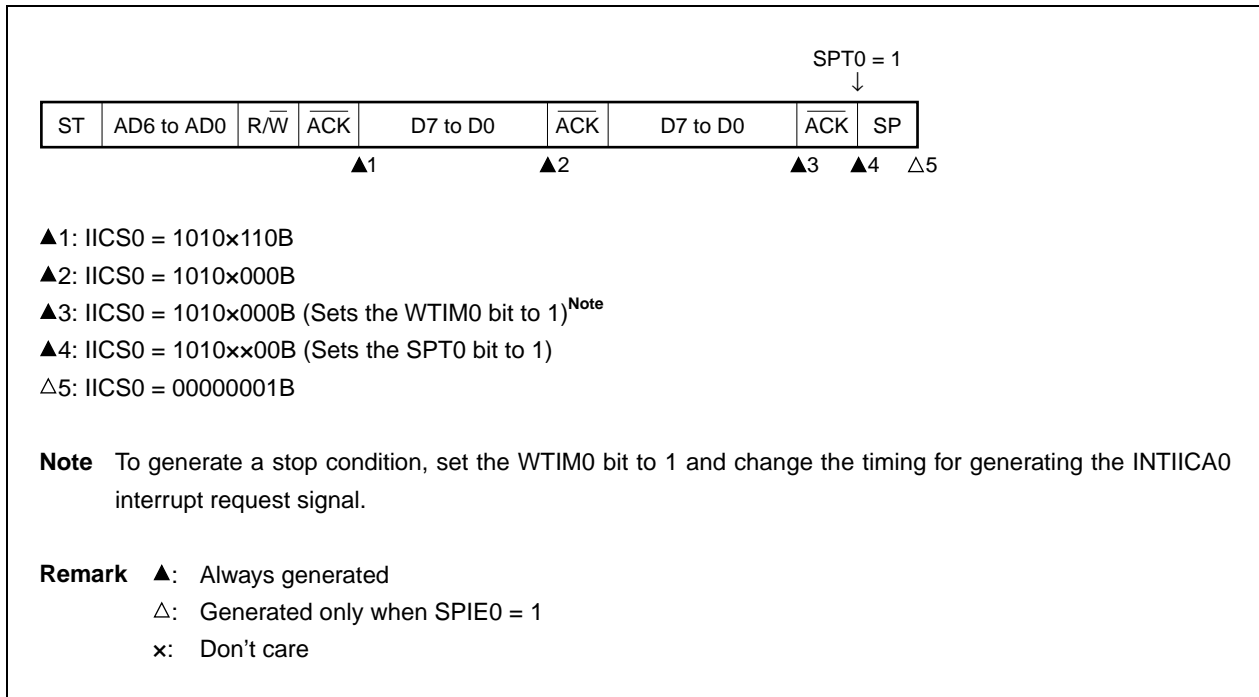


(ii) When WTIM0 = 1

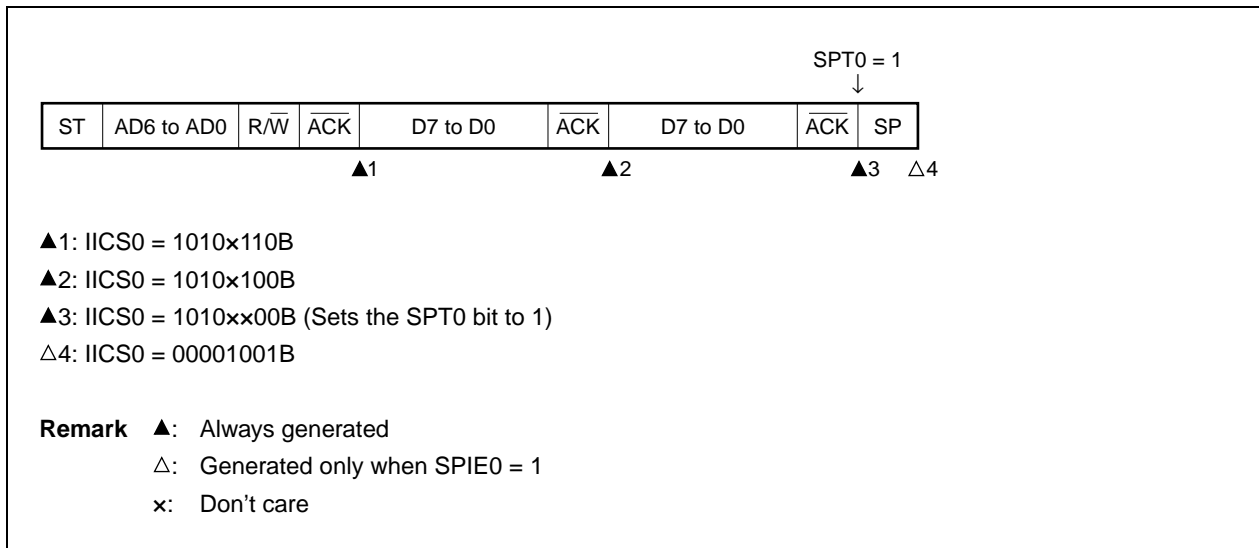


(c) Start ~ Code ~ Data ~ Data ~ Stop (extension code transmission)

(i) When WTIM0 = 0



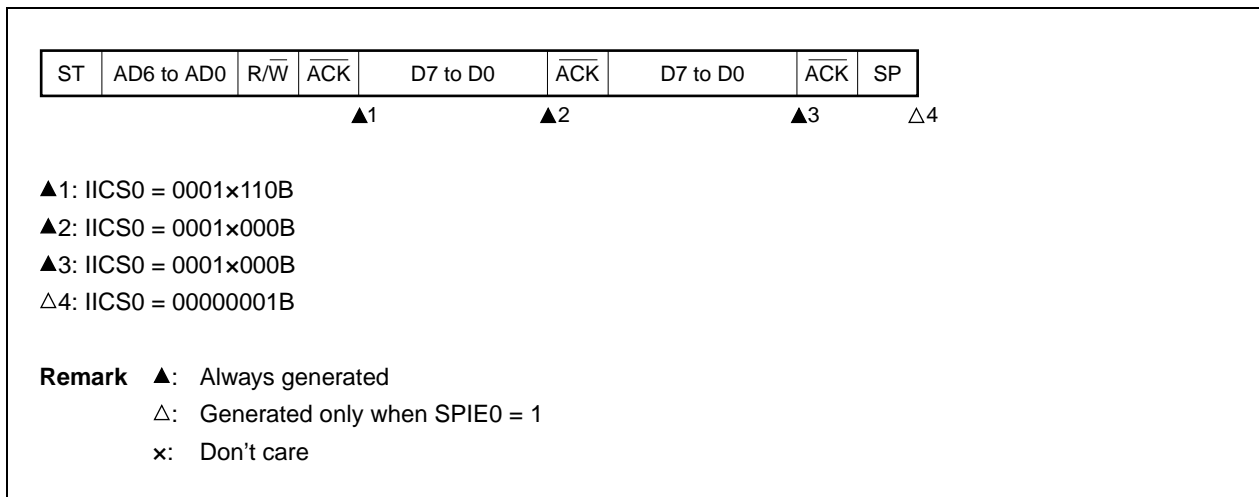
(ii) When WTIM0 = 1



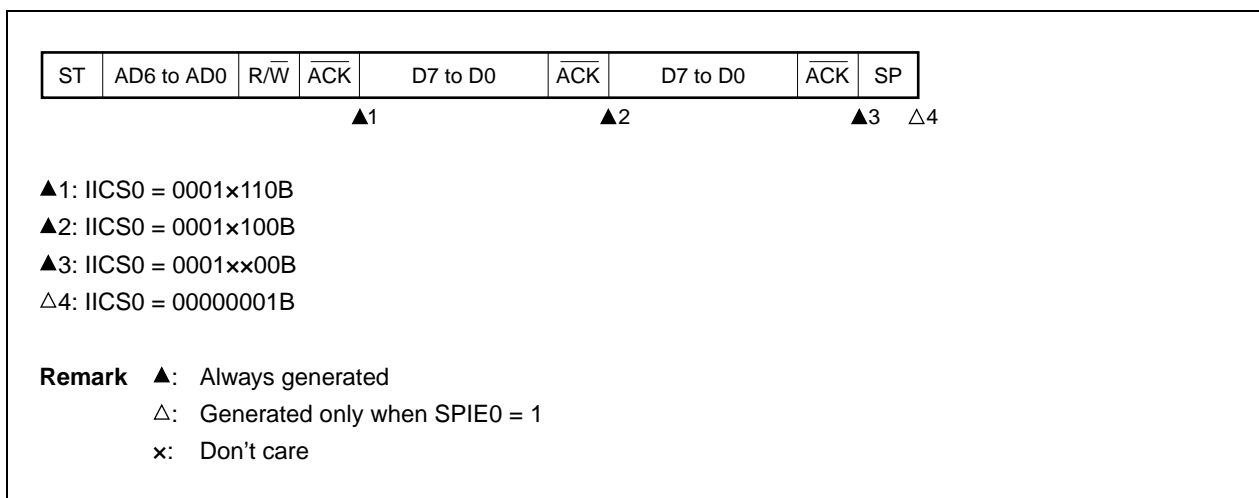
(2) Slave device operation (slave address data reception)

(a) Start ~ Address ~ Data ~ Data ~ Stop

(i) When WTIM0 = 0

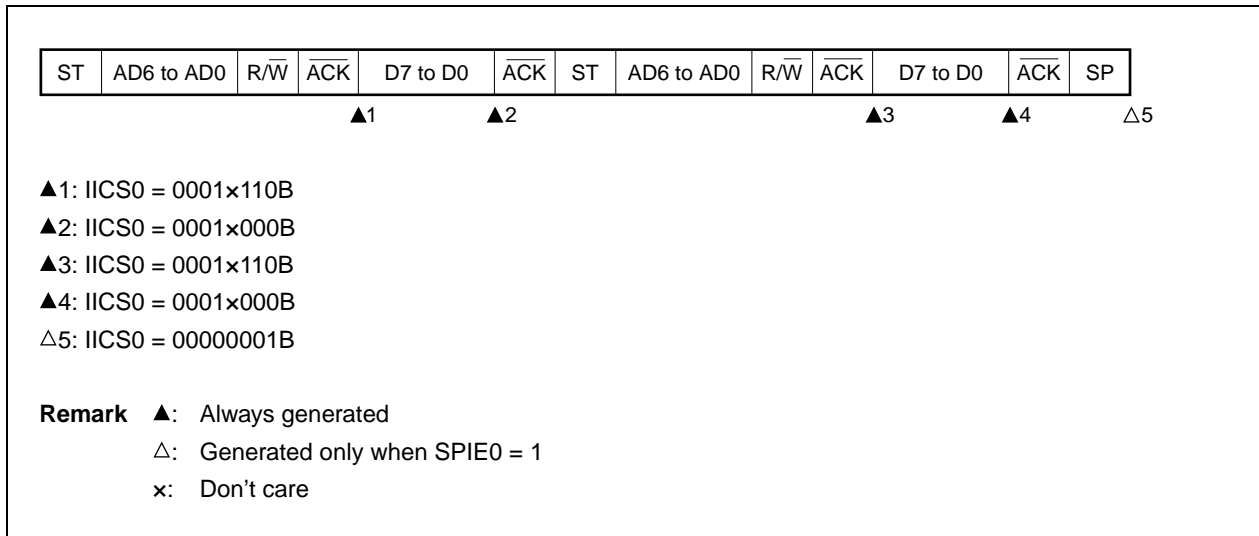


(ii) When WTIM0 = 1

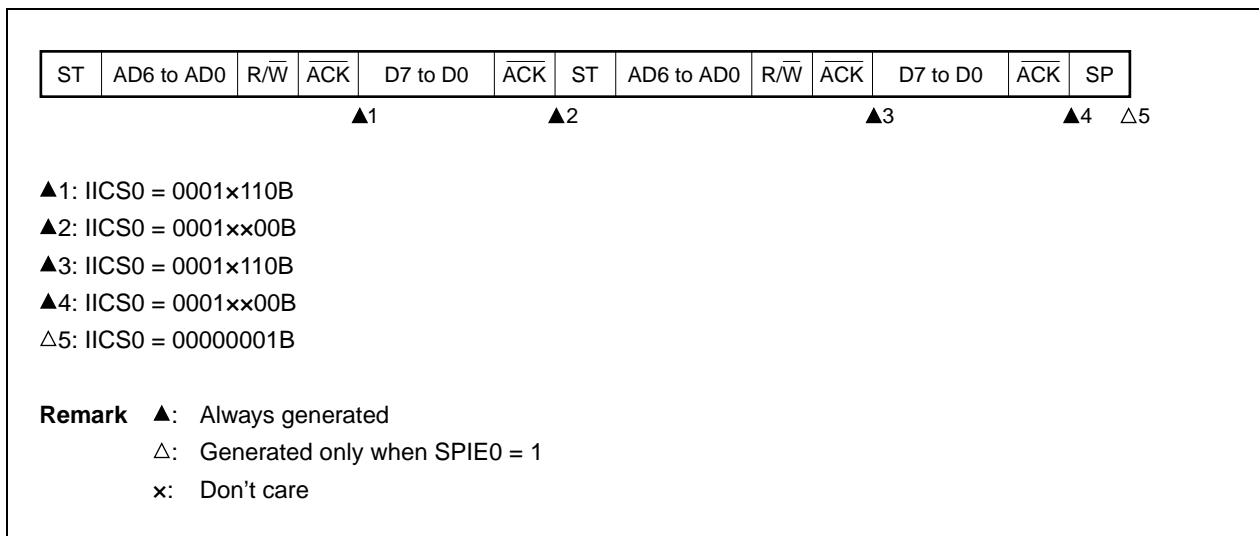


(b) Start ~ Address ~ Data ~ Start ~ Address ~ Data ~ Stop

(i) When WTIM0 = 0 (after restart, matches with SVA0)

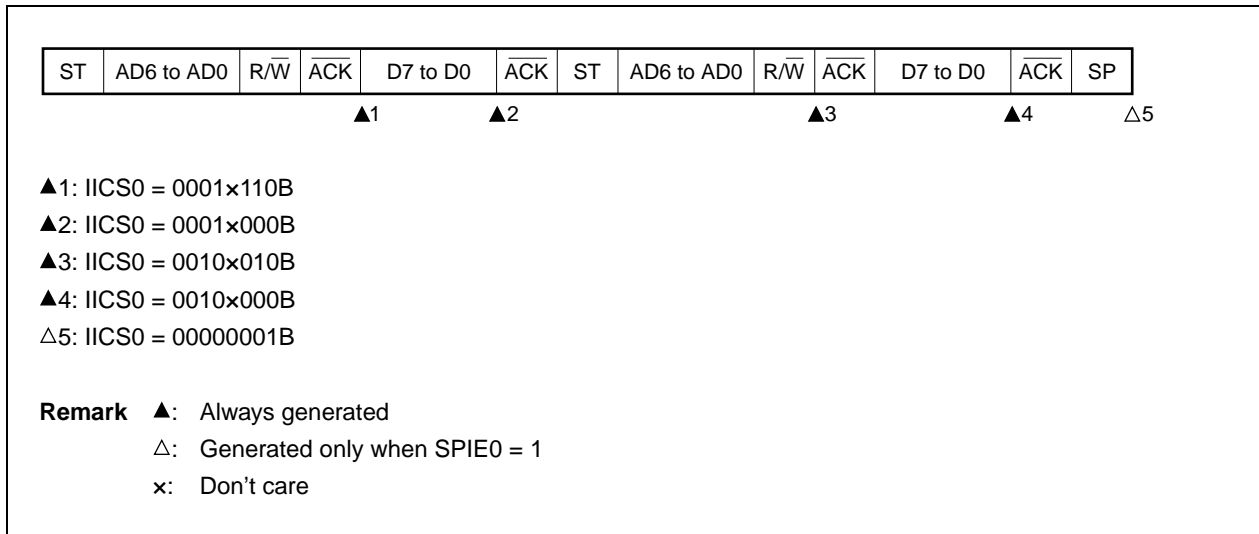


(ii) When WTIM0 = 1 (after restart, matches with SVA0)

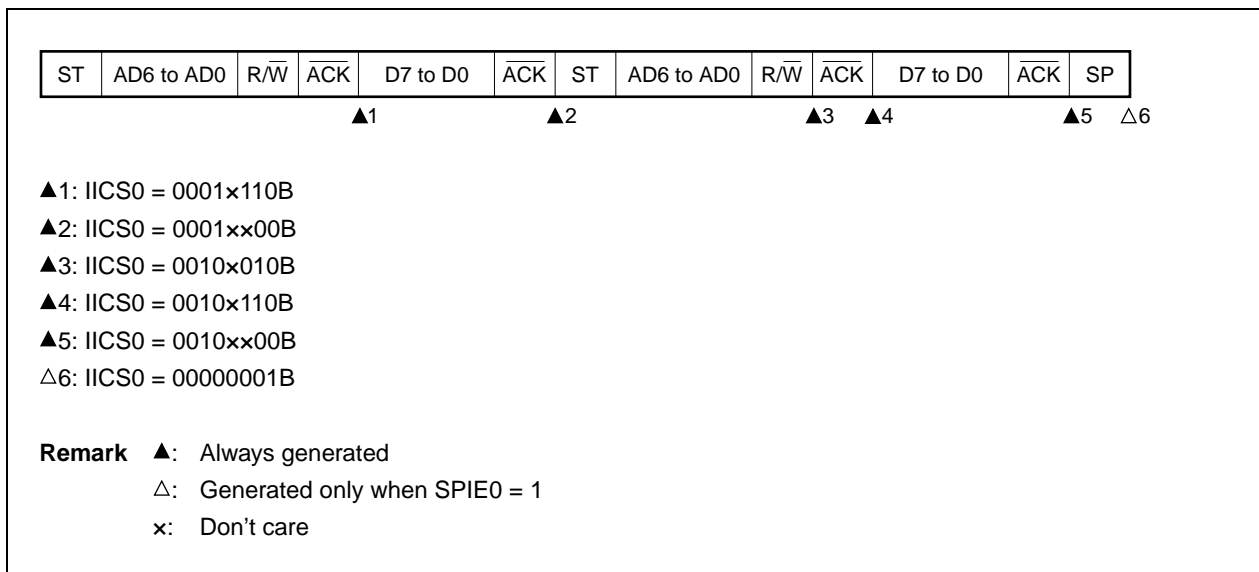


(c) Start ~ Address ~ Data ~ Start ~ Code ~ Data ~ Stop

(i) When WTIM0 = 0 (after restart, does not match address (= extension code))

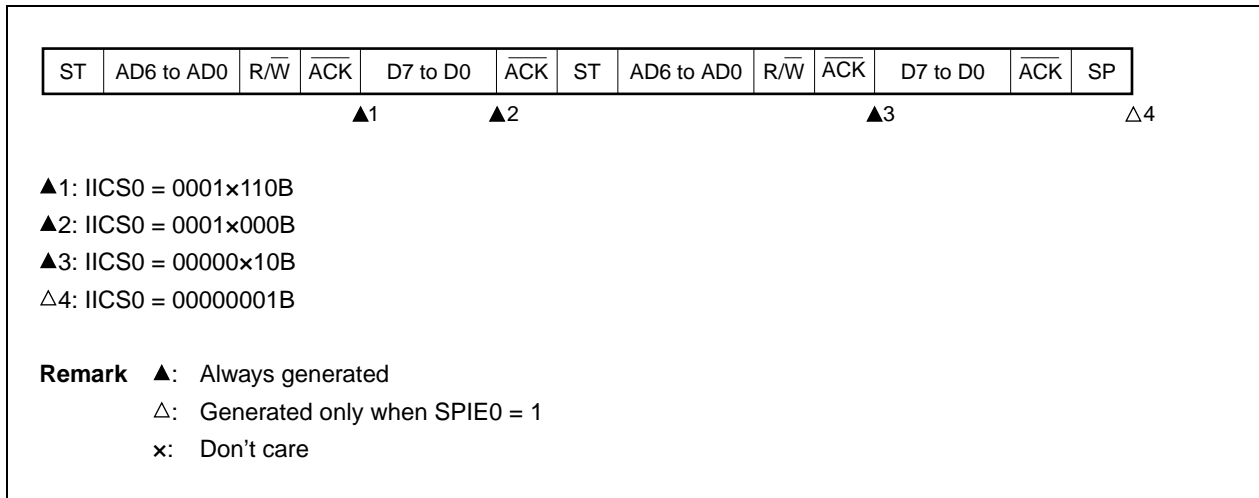


(ii) When WTIM0 = 1 (after restart, does not match address (= extension code))

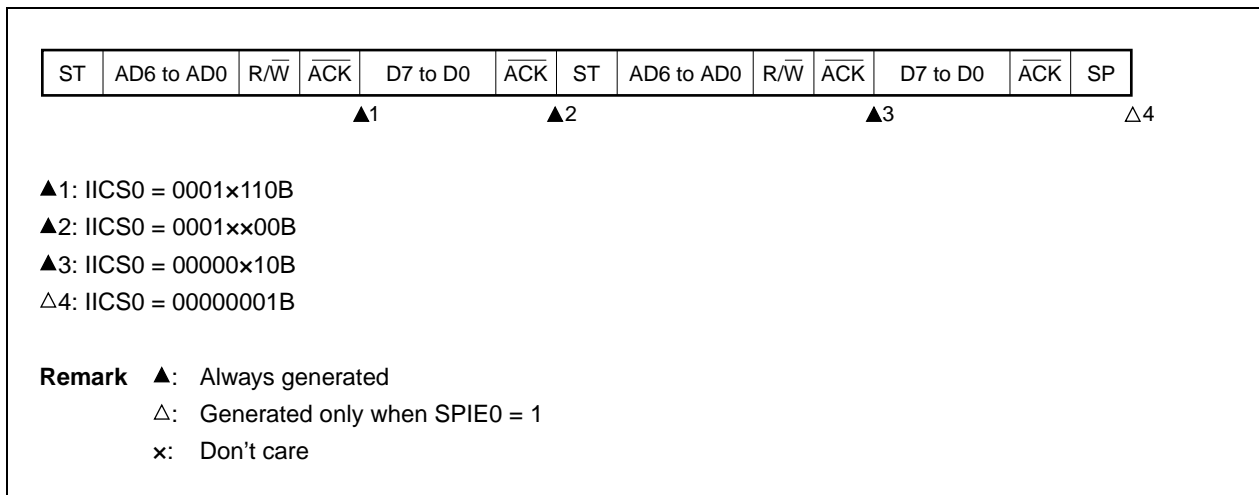


(d) Start ~ Address ~ Data ~ Start ~ Address ~ Data ~ Stop

(i) When WTIM0 = 0 (after restart, does not match address (= not extension code))



(ii) When WTIM0 = 1 (after restart, does not match address (= not extension code))

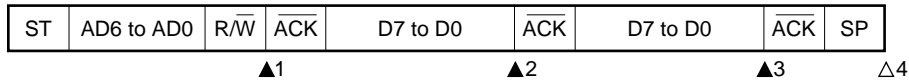


(3) Slave device operation (when receiving extension code)

The device is always participating in communication when it receives an extension code.

(a) Start ~ Code ~ Data ~ Data ~ Stop

(i) When $WTIM0 = 0$



▲1: IICS0 = 0010x010B

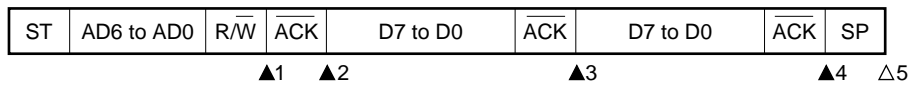
▲2: IICS0 = 0010x000B

▲3: IICS0 = 0010x000B

△4: IICS0 = 00000001B

Remark ▲: Always generated
 △: Generated only when SPIE0 = 1
 x: Don't care

(ii) When $WTIM0 = 1$



▲1: IICS0 = 0010x010B

▲2: IICS0 = 0010x110B

▲3: IICS0 = 0010x100B

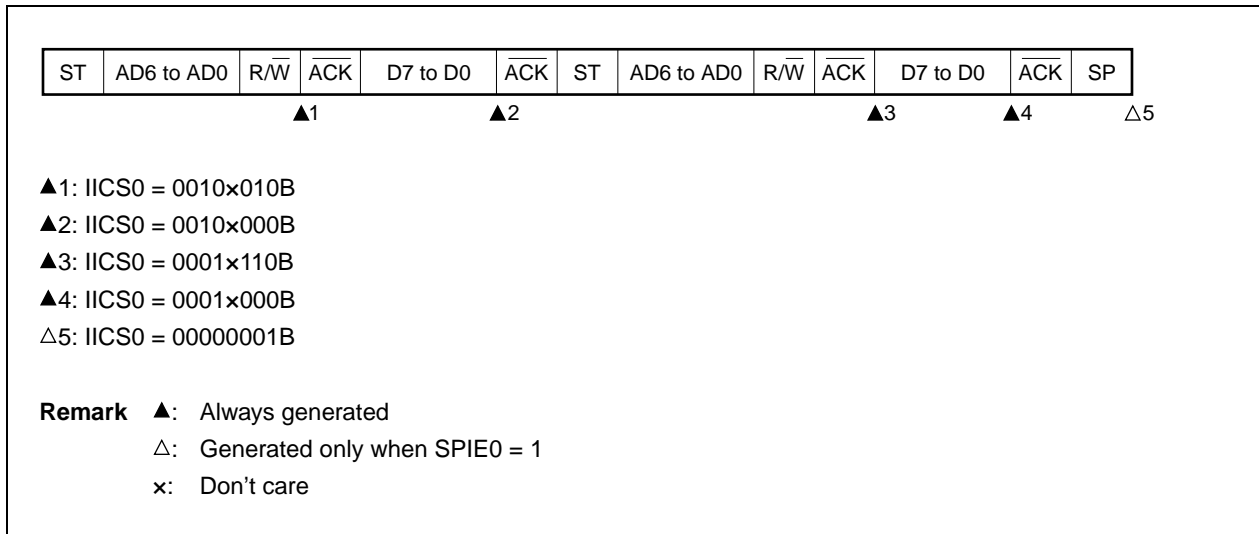
▲4: IICS0 = 0010xx00B

△5: IICS0 = 00000001B

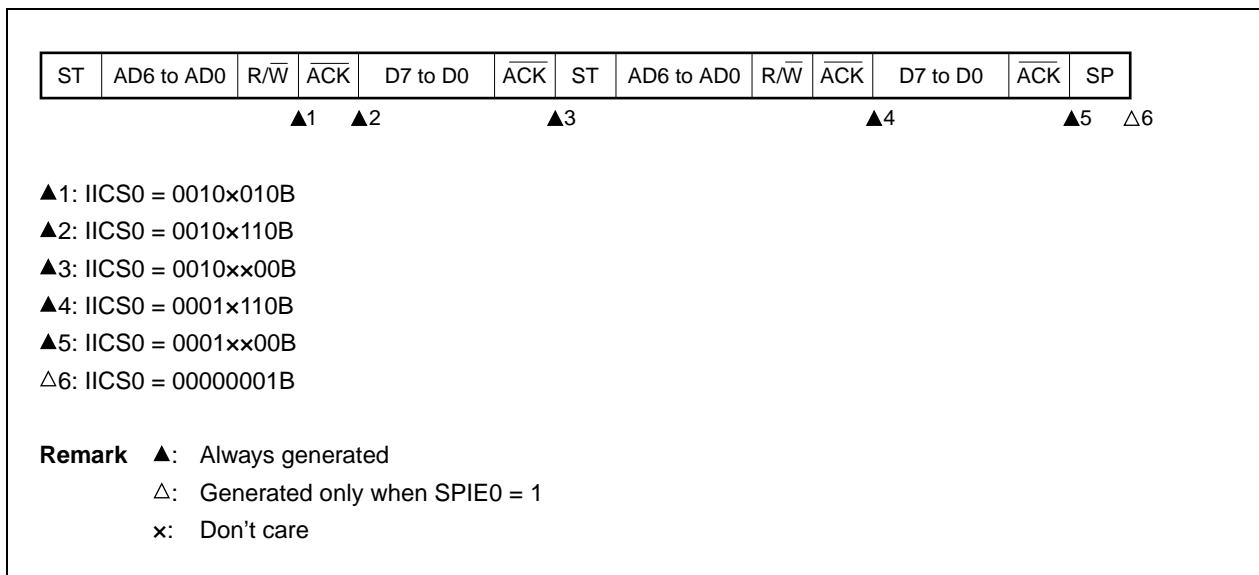
Remark ▲: Always generated
 △: Generated only when SPIE0 = 1
 x: Don't care

(b) Start ~ Code ~ Data ~ Start ~ Address ~ Data ~ Stop

(i) When WTIM0 = 0 (after restart, matches SVA0)

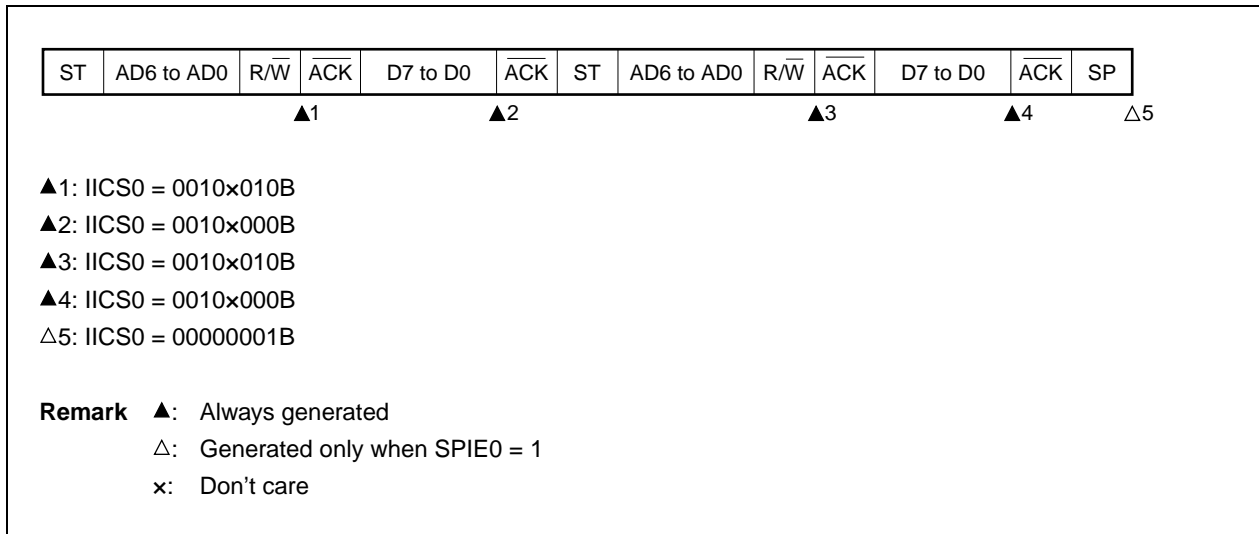


(ii) When WTIM0 = 1 (after restart, matches SVA0)

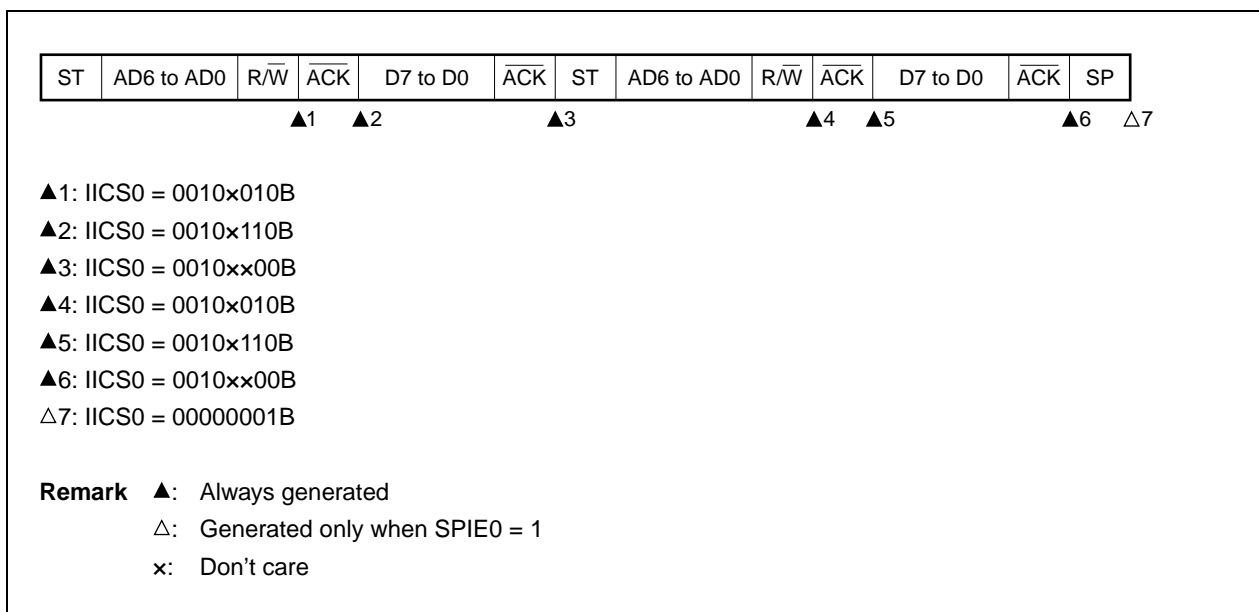


(c) Start ~ Code ~ Data ~ Start ~ Code ~ Data ~ Stop

(i) When WTIM0 = 0 (after restart, extension code reception)

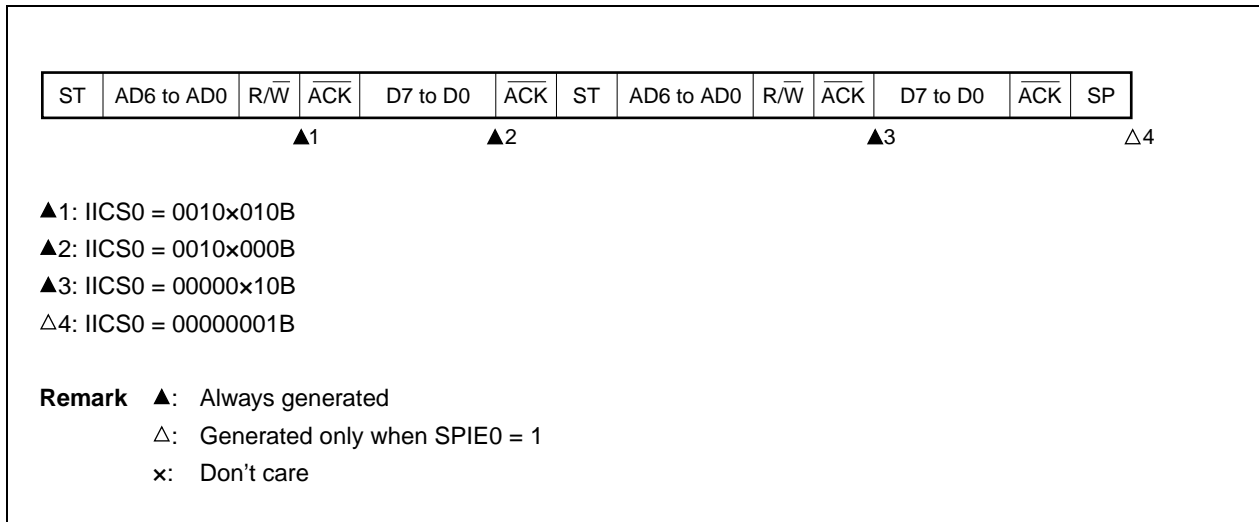


(ii) When WTIM0 = 1 (after restart, extension code reception)

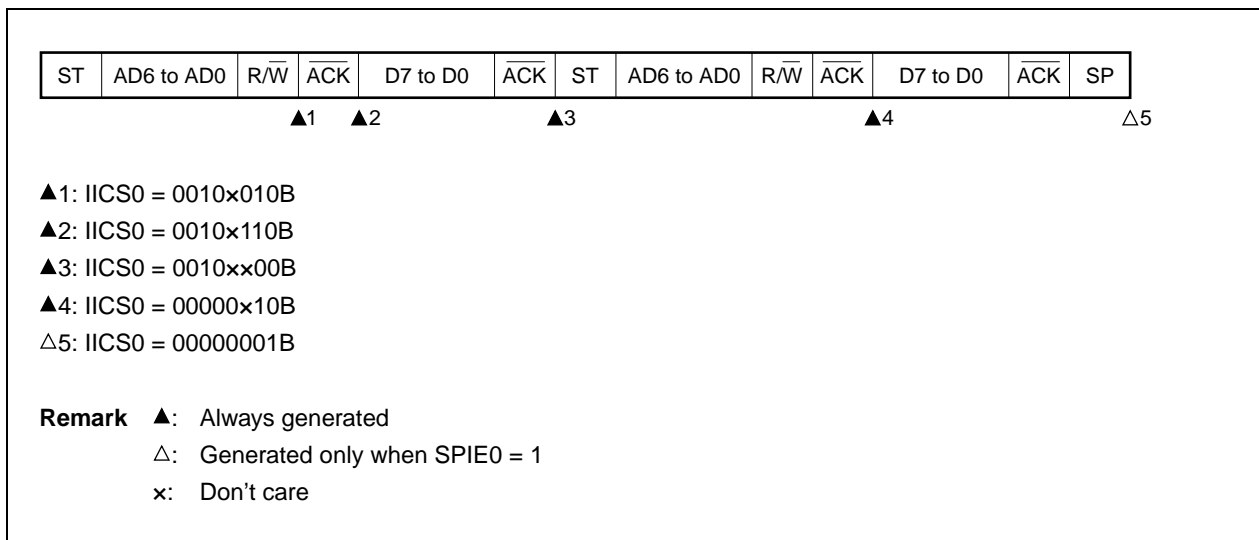


(d) Start ~ Code ~ Data ~ Start ~ Address ~ Data ~ Stop

(i) When **WTIM0 = 0** (after restart, does not match address (= not extension code))

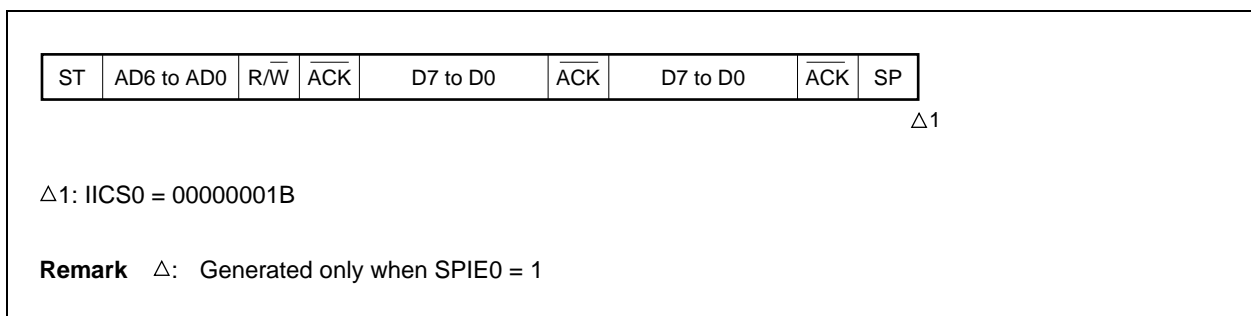


(ii) When **WTIM0 = 1** (after restart, does not match address (= not extension code))



(4) Operation without communication

(a) Start ~ Code ~ Data ~ Data ~ Stop

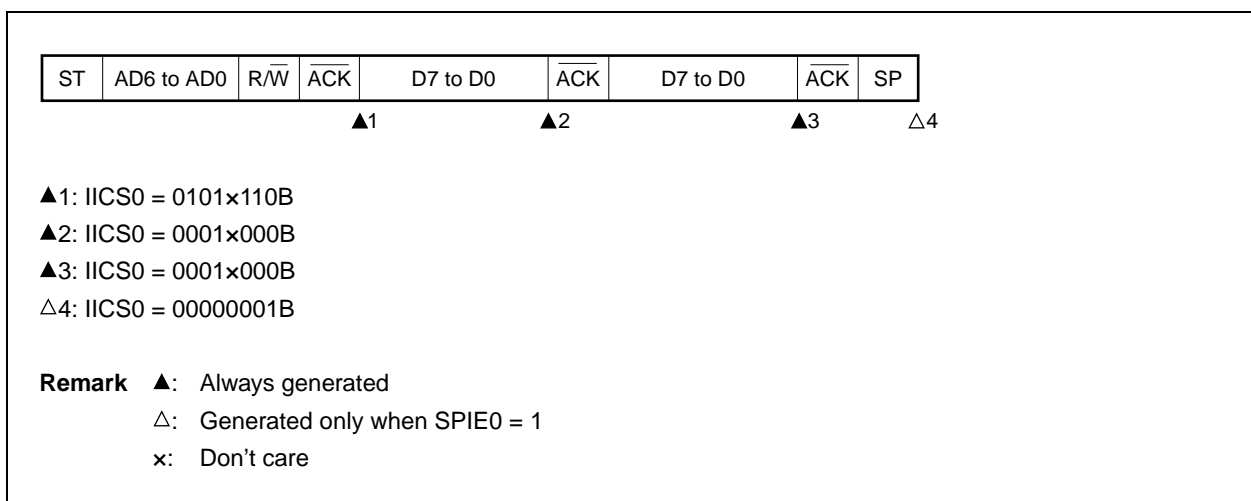


(5) Arbitration loss operation (operation as slave after arbitration loss)

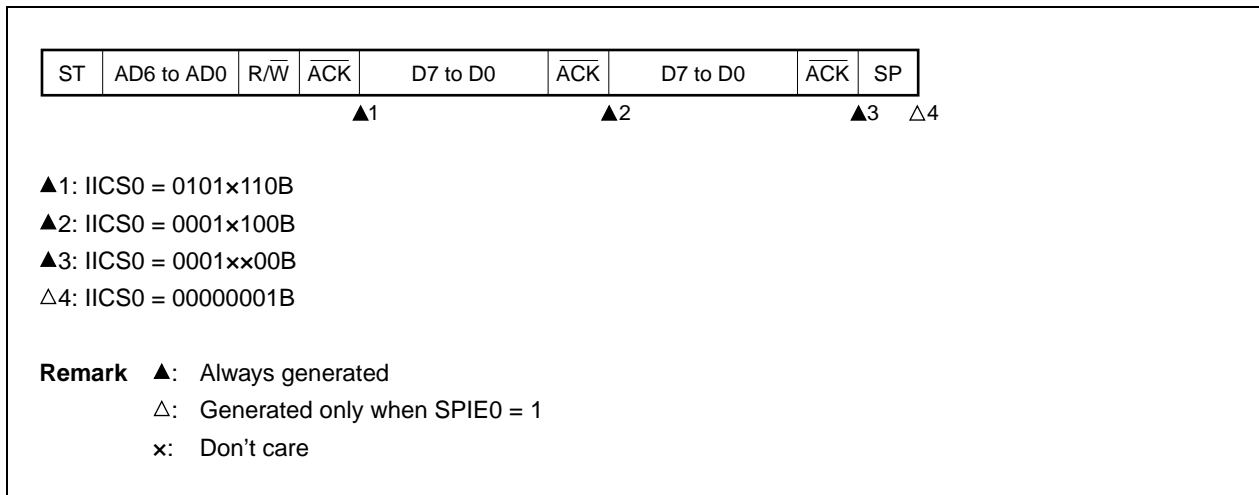
When the device is used as a master in a multi-master system, read the MSTSO bit each time interrupt request signal INTIICA0 has occurred to check the arbitration result.

(a) When arbitration loss occurs during transmission of slave address data

(i) When WTIM0 = 0

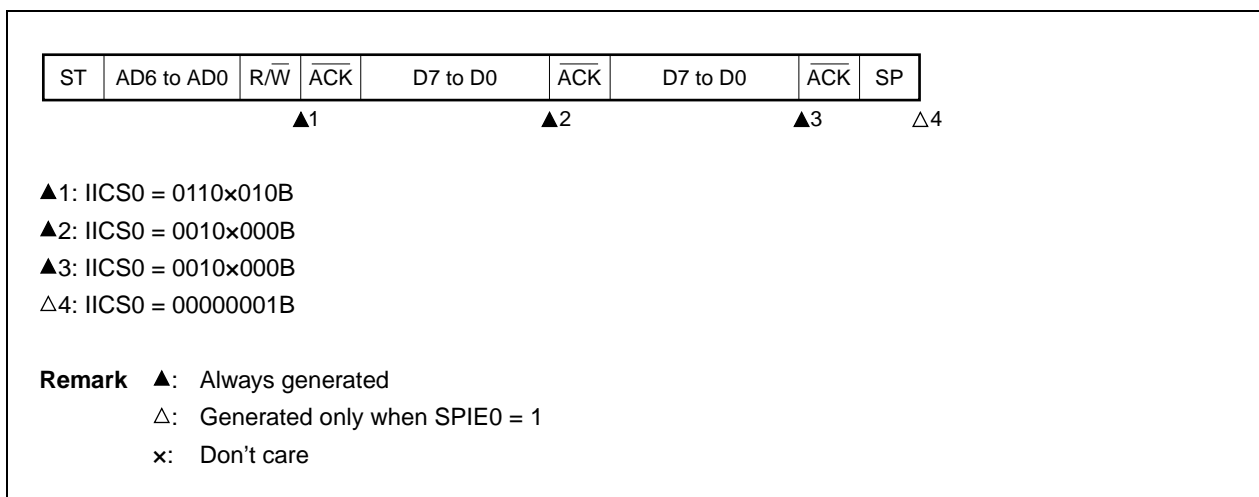


(ii) When WTIM0 = 1

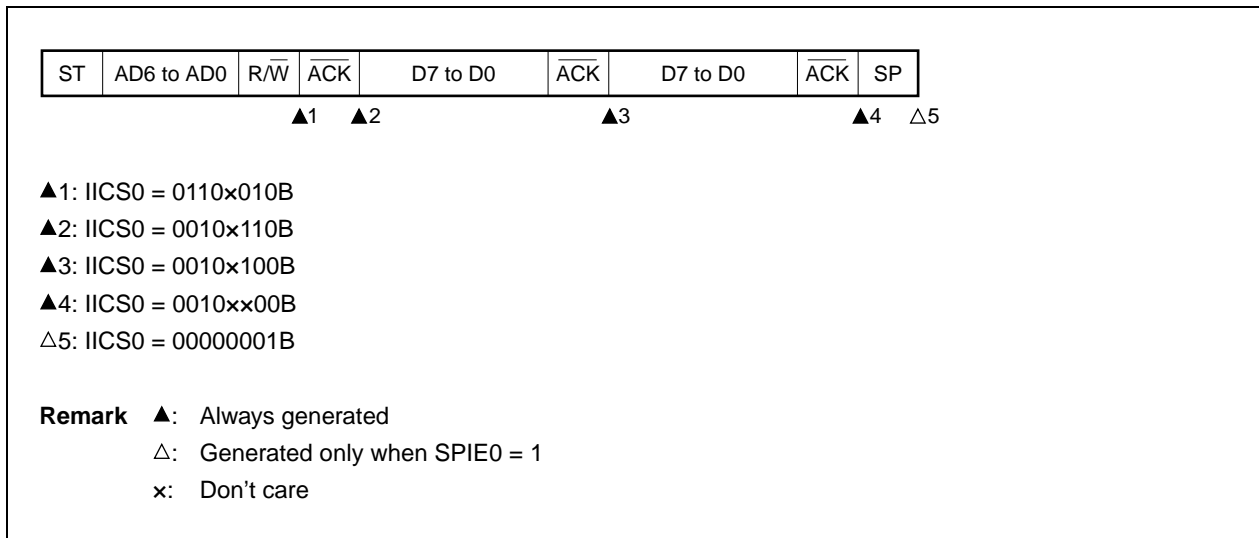


(b) When arbitration loss occurs during transmission of extension code

(i) When WTIM0 = 0



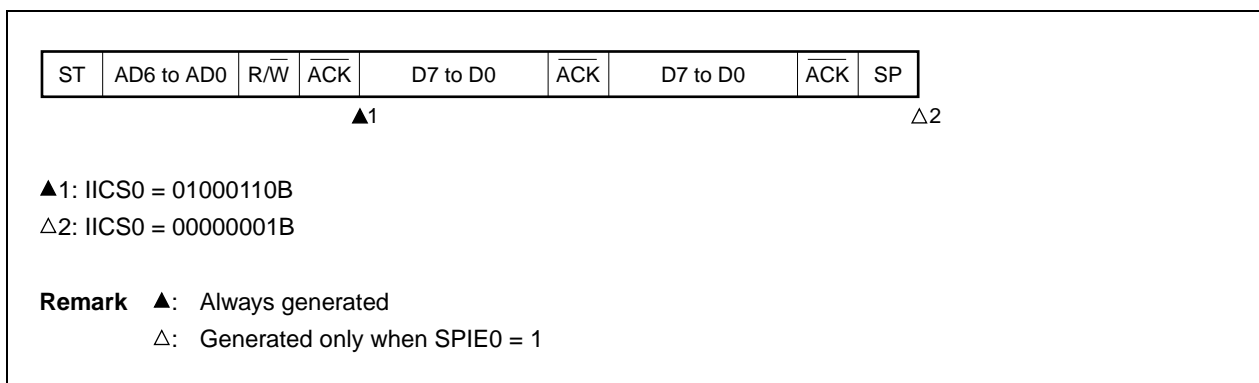
(ii) When WTIM0 = 1



(6) Operation when arbitration loss occurs (no communication after arbitration loss)

When the device is used as a master in a multi-master system, read the MSTS0 bit each time interrupt request signal INTIICA0 has occurred to check the arbitration result.

(a) When arbitration loss occurs during transmission of slave address data (when WTIM0 = 1)



(b) When arbitration loss occurs during transmission of extension code

ST	AD6 to AD0	R/W	ACK	D7 to D0	ACK	D7 to D0	ACK	SP
			▲1				△2	

▲1: IICS0 = 0110x010B
 Sets LREL0 = 1 by software
 △2: IICS0 = 00000001B

Remark ▲: Always generated
 △: Generated only when SPIE0 = 1
 x: Don't care

(c) When arbitration loss occurs during transmission of data

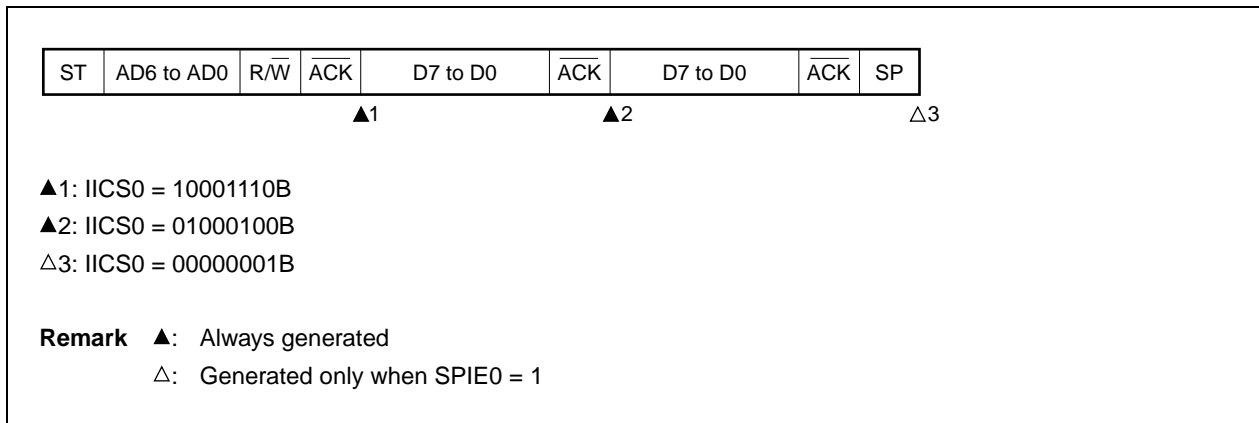
(i) When WTIM0 = 0

ST	AD6 to AD0	R/W	ACK	D7 to D0	ACK	D7 to D0	ACK	SP
			▲1		▲2			△3

▲1: IICS0 = 10001110B
 ▲2: IICS0 = 01000000B
 △3: IICS0 = 00000001B

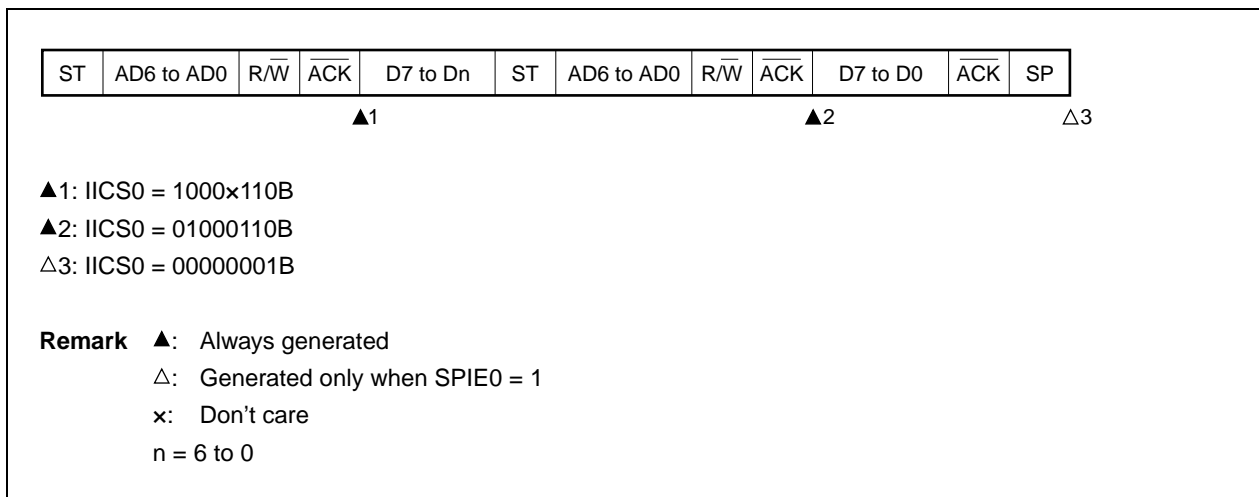
Remark ▲: Always generated
 △: Generated only when SPIE0 = 1

(ii) When WTIM0 = 1



(d) When loss occurs due to restart condition during data transfer

(i) Not extension code (Example: unmatched with SVA0)



(ii) Extension code

ST	AD6 to AD0	R/W	ACK	D7 to Dn	ST	AD6 to AD0	R/W	ACK	D7 to D0	ACK	SP
			▲1				▲2				△3

▲1: IICS0 = 1000x110B
 ▲2: IICS0 = 01100010B
 Sets LREL0 = 1 by software
 △3: IICS0 = 00000001B

Remark ▲: Always generated
 △: Generated only when SPIE0 = 1
 x: Don't care
 n = 6 to 0

(e) When loss occurs due to stop condition during data transfer

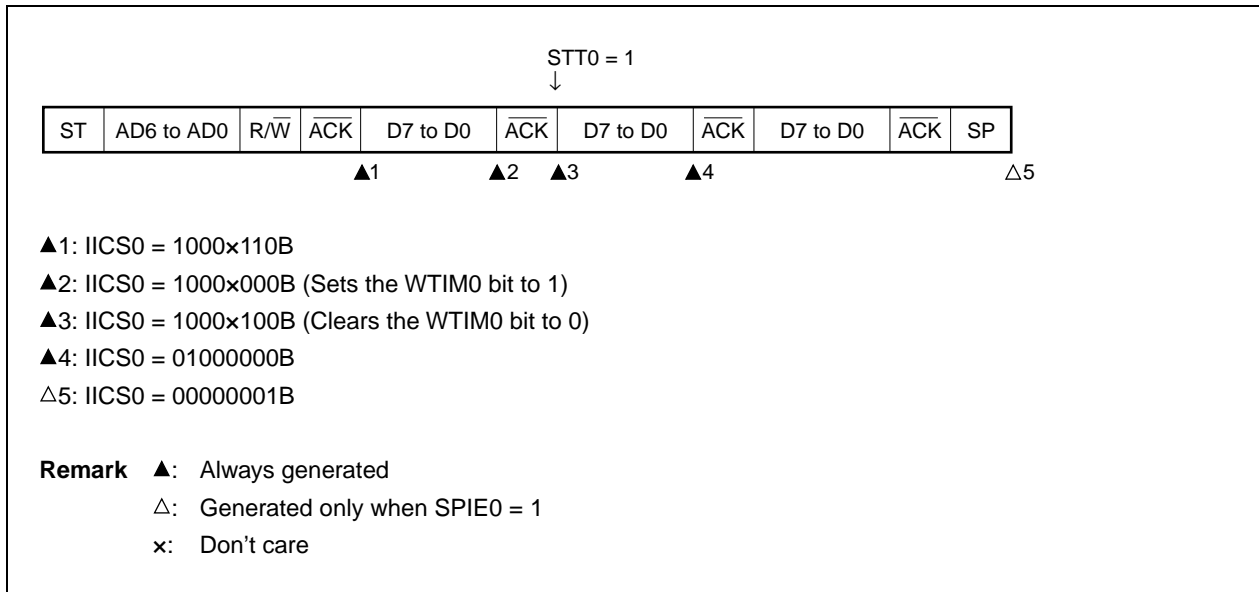
ST	AD6 to AD0	R/W	ACK	D7 to Dn	SP
			▲1		△2

▲1: IICS0 = 10000110B
 △2: IICS0 = 01000001B

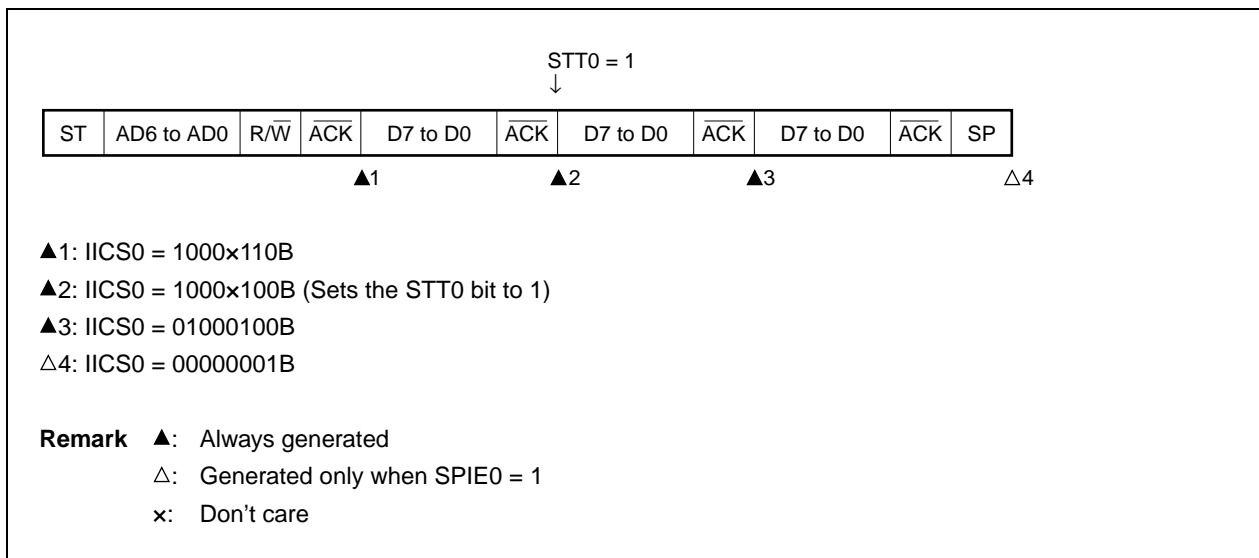
Remark ▲: Always generated
 △: Generated only when SPIE0 = 1
 x: Don't care
 n = 6 to 0

(f) When arbitration loss occurs due to low-level data when attempting to generate a restart condition

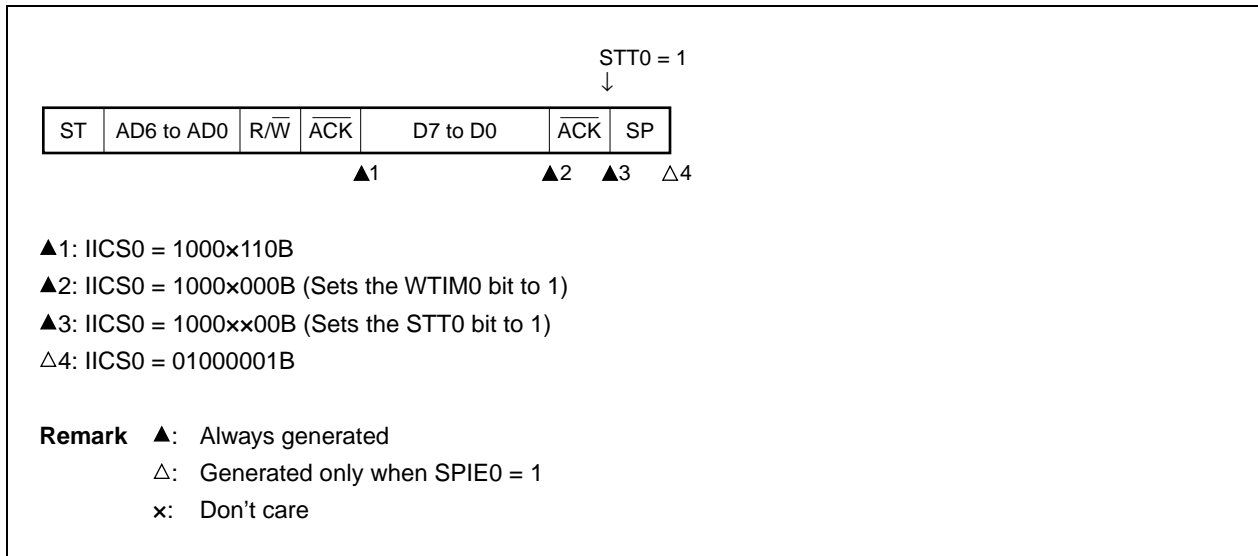
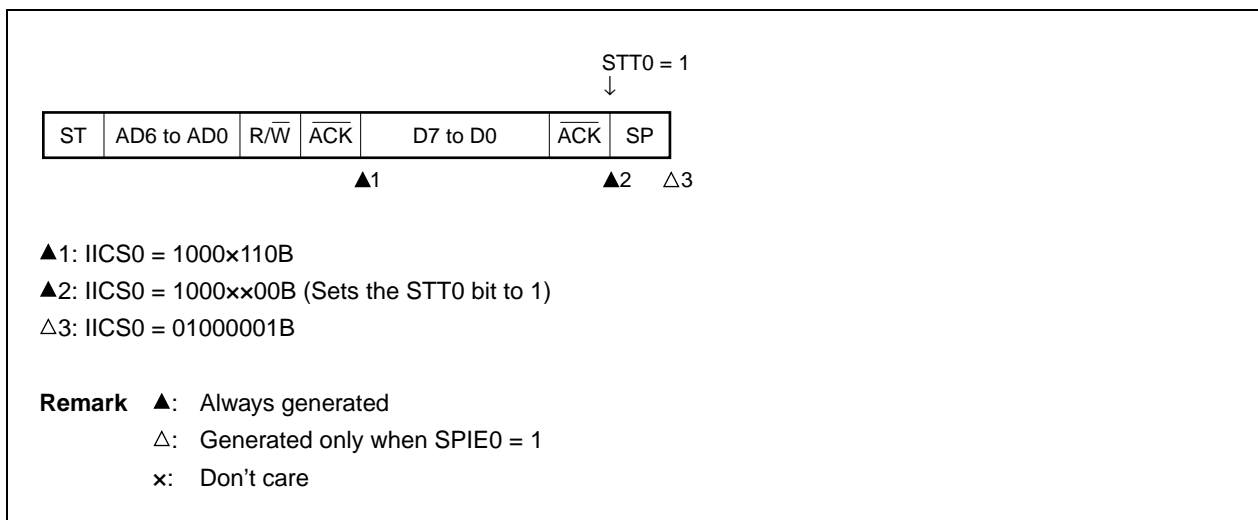
(i) When **WTIM0 = 0**



(ii) When **WTIM0 = 1**

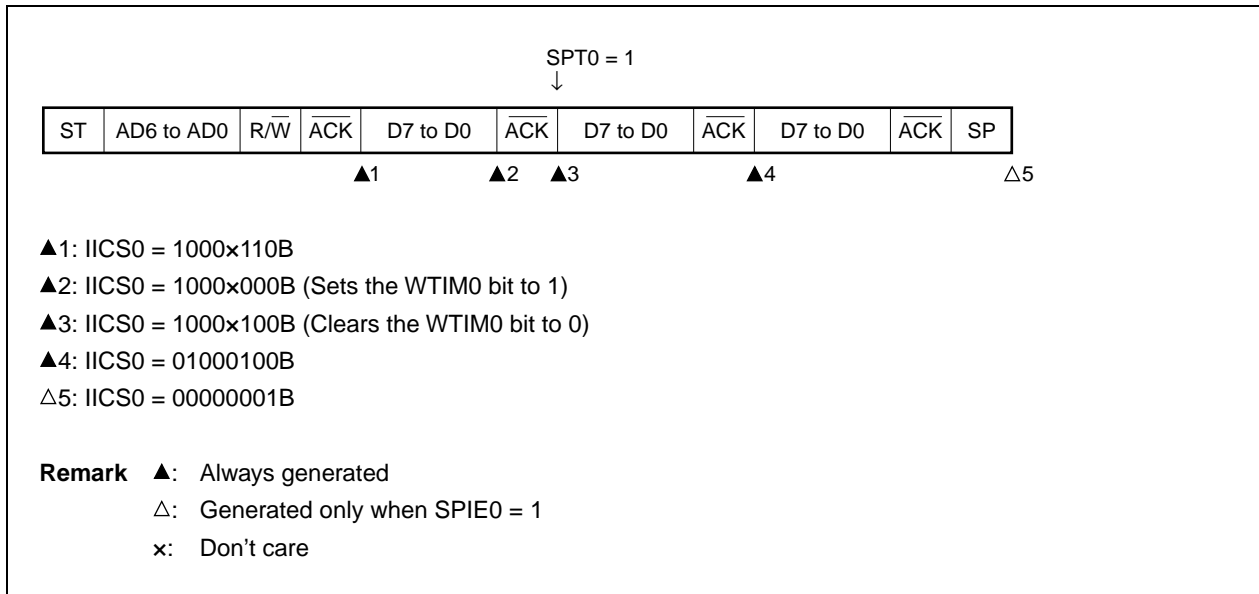


(g) When arbitration loss occurs due to a stop condition when attempting to generate a restart condition

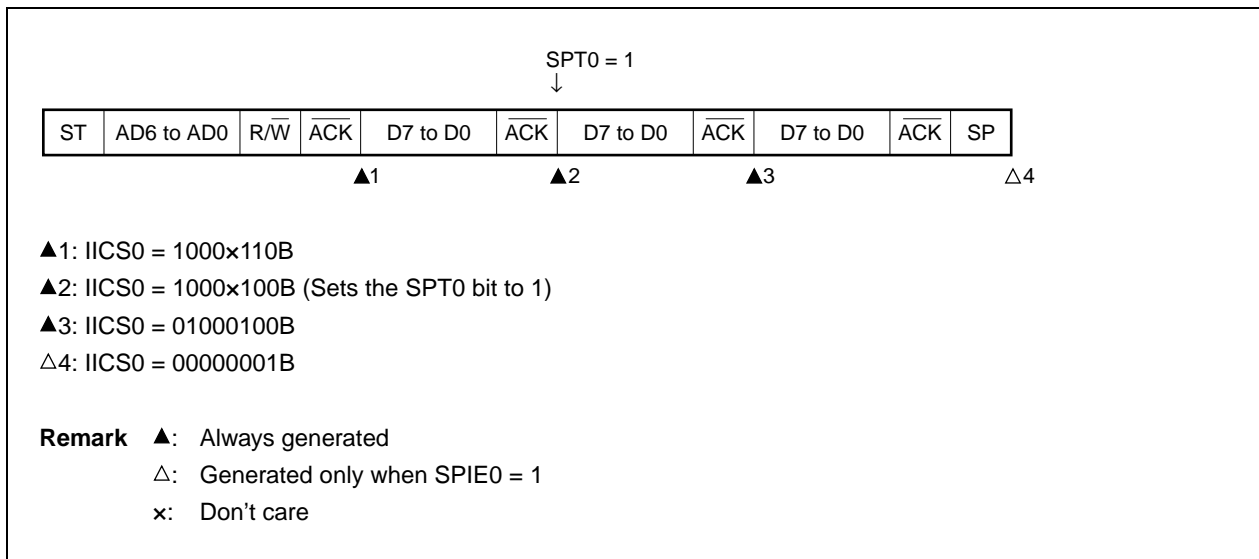
(i) When $WTIM0 = 0$ (ii) When $WTIM0 = 1$ 

(h) When arbitration loss occurs due to low-level data when attempting to generate a stop condition

(i) When **WTIM0 = 0**



(ii) When **WTIM0 = 1**



13.6 Timing Charts

When using the I²C bus mode, the master device outputs an address via the serial bus to select one of several slave devices as its communication partner.

After outputting the slave address, the master device transmits the TRC0 bit (bit 3 of the IICA status register 0 (IICS0)), which specifies the data transfer direction, and then starts serial communication with the slave device.

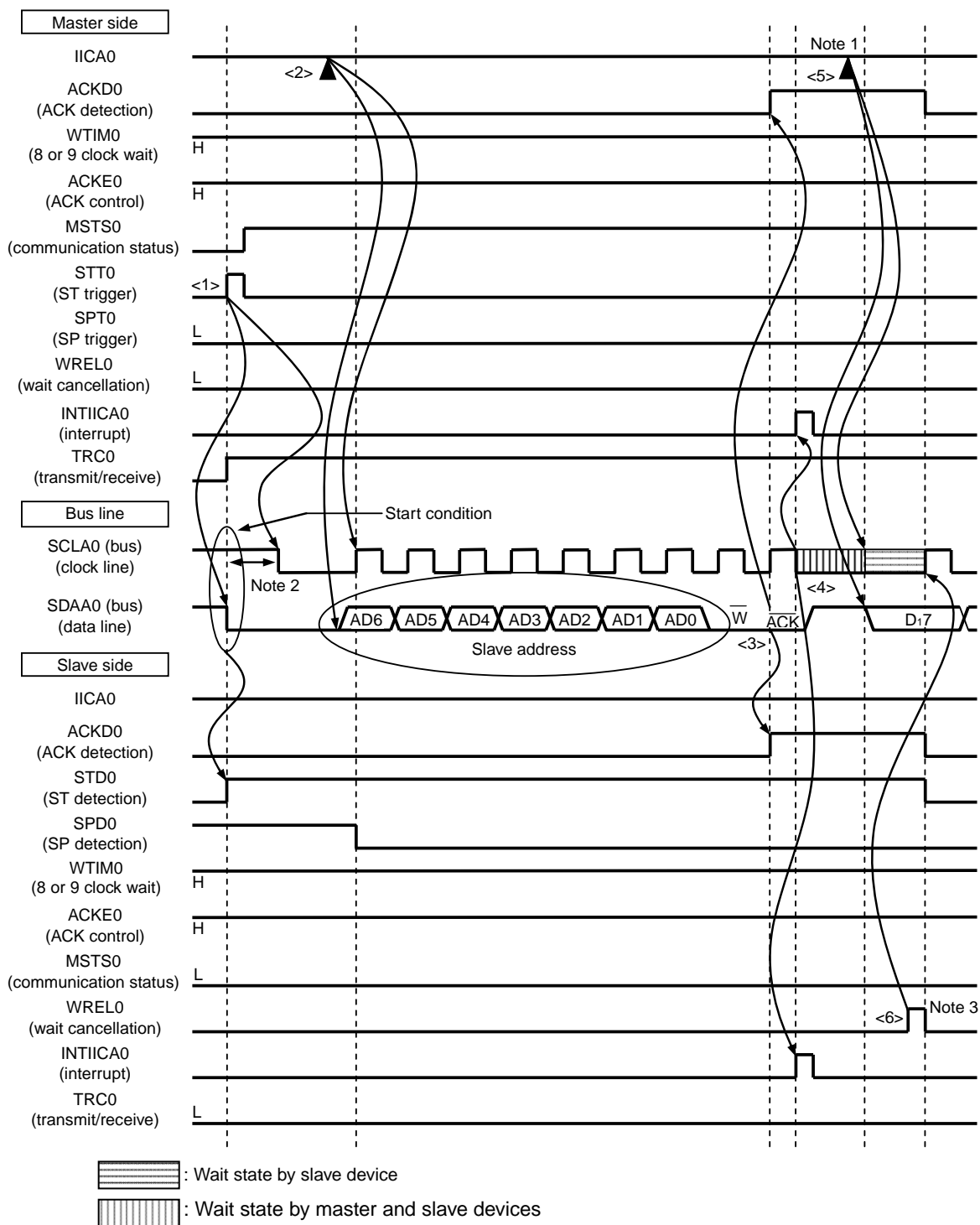
Figures 13-32 and 13-33 show timing charts of the data communication.

The IICA shift register 0 (IICA0)'s shift operation is synchronized with the falling edge of the serial clock (SCLA0). The transmit data is transferred to the SO latch and is output (MSB first) via the SDAA0 pin.

Data input via the SDAA0 pin is captured into IICA0 at the rising edge of SCLA0.

Figure 13-32. Example of Master to Slave Communication (9-Clock Wait Is Selected for Master, 9-Clock Wait Is Selected for Slave) (1/4)

(1) Start condition ~ address ~ data



- Notes**
1. Write data to IICA0, not setting the WRELO bit, in order to cancel a wait state during transmission by a master device.
 2. Make sure that the time between the fall of the SDA0 pin signal and the fall of the SCLA0 pin signal is at least 4.0 μ s when specifying standard mode and at least 0.6 μ s when specifying fast mode.
 3. For releasing wait state during reception of a slave device, write "FFH" to IICA0 or set the WRELO bit.

The meanings of <1> to <6> in (1) Start condition ~ address ~ data in Figure 13-32 are explained below.

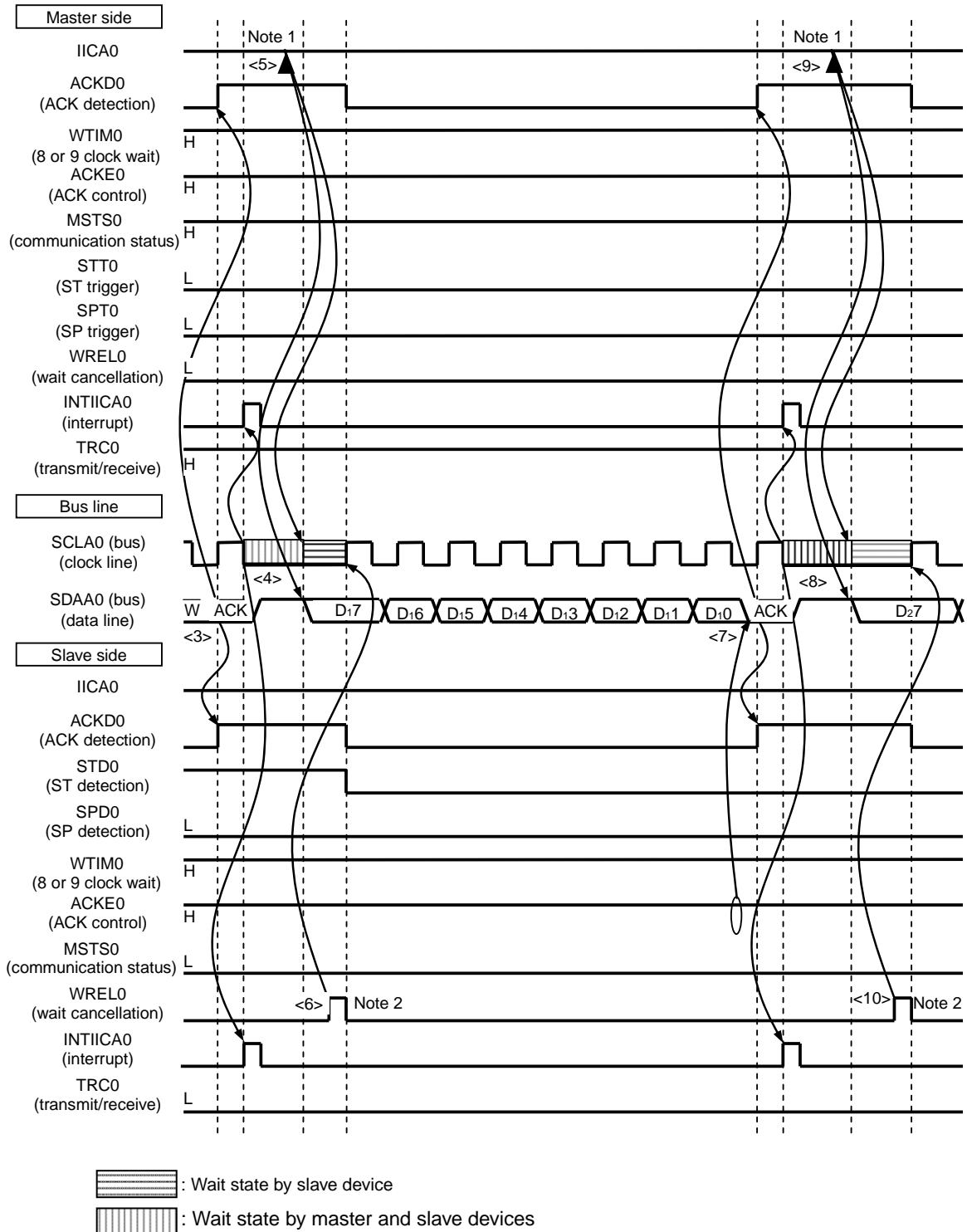
- <1> The start condition trigger is set by the master device (STT0 = 1) and a start condition (i.e. SCLA0 = 1 changes SDAA0 from 1 to 0) is generated once the bus data line goes low (SDAA0). When the start condition is subsequently detected, the master device enters the master device communication status (MSTS0 = 1). The master device is ready to communicate once the bus clock line goes low (SCLA0 = 0) after the hold time has elapsed.
- <2> The master device writes the address + W (transmission) to the IICA shift register 0 (IICA0) and transmits the slave address.
- <3> In the slave device if the address received matches the address (SVA0 value) of a slave device^{Note}, that slave device sends an ACK by hardware to the master device. The ACK is detected by the master device (ACKD0 = 1) at the rising edge of the 9th clock.
- <4> The master device issues an interrupt (INTIICA0: end of address transmission) at the falling edge of the 9th clock. The slave device whose address matched the transmitted slave address sets a wait status (SCLA0 = 0) and issues an interrupt (INTIICA0: address match)^{Note}.
- <5> The master device writes the data to transmit to the IICA0 register and releases the wait status that it set by the master device.
- <6> If the slave device releases the wait status (WREL0 = 1), the master device starts transferring data to the slave device.

Note If the transmitted address does not match the address of the slave device, the slave device does not return an ACK to the master device (NACK: SDAA0 = 1). The slave device also does not issue the INTIICA0 interrupt (address match) and does not set a wait status. The master device, however, issues the INTIICA0 interrupt (end of address transmission) regardless of whether it receives an ACK or NACK.

Remark <1> to <15> in Figure 13-32 represent the entire procedure for communicating data using the I²C bus. Figure 13-32 (1) Start condition ~ address ~ data shows the processing from <1> to <6>, Figure 13-32 (2) Address ~ data ~ data shows the processing from <3> to <10>, and Figure 13-32 (3) Data ~ data ~ stop condition shows the processing from <7> to <15>.

**Figure 13-32. Example of Master to Slave Communication
(9-Clock Wait Is Selected for Master, 9-Clock Wait Is Selected for Slave) (2/4)**

(2) Address ~ data ~ data



- Notes**
1. Write data to IICA0, not setting the WRELO bit, in order to cancel a wait state during transmission by a master device.
 2. For releasing wait state during reception of a slave device, write "FFH" to IICA0 or set the WRELO bit.

The meanings of <3> to <10> in (2) Address ~ data ~ data in Figure 13-32 are explained below.

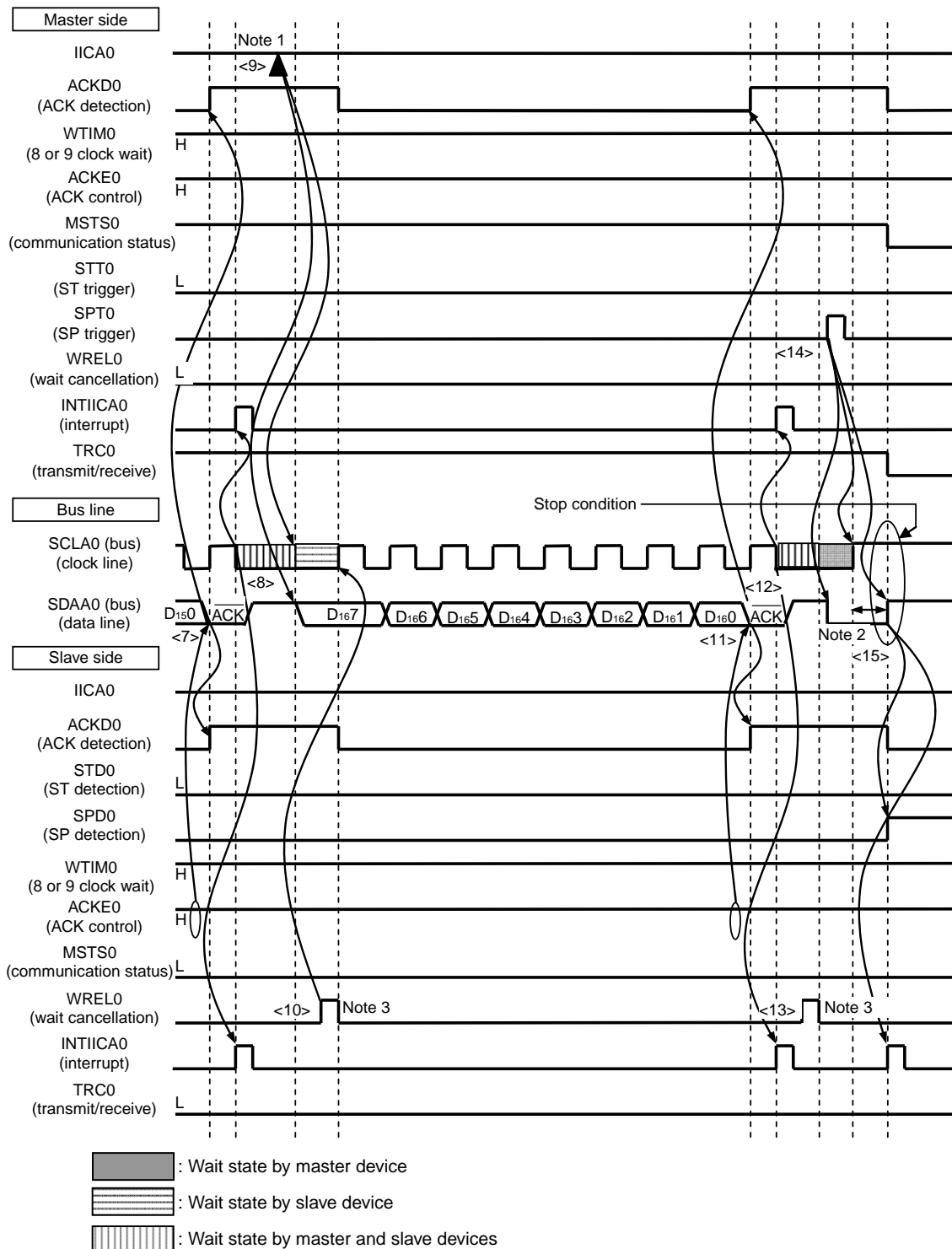
- <3> In the slave device if the address received matches the address (SVA0 value) of a slave device^{Note}, that slave device sends an ACK by hardware to the master device. The ACK is detected by the master device (ACKD0 = 1) at the rising edge of the 9th clock.
- <4> The master device issues an interrupt (INTIICA0: end of address transmission) at the falling edge of the 9th clock. The slave device whose address matched the transmitted slave address sets a wait status (SCLA0 = 0) and issues an interrupt (INTIICA0: address match)^{Note}.
- <5> The master device writes the data to transmit to the IICA shift register 0 (IICA0) and releases the wait status that it set by the master device.
- <6> If the slave device releases the wait status (WRELO = 1), the master device starts transferring data to the slave device.
- <7> After data transfer is completed, because of ACKE0 = 1, the slave device sends an ACK by hardware to the master device. The ACK is detected by the master device (ACKD0 = 1) at the rising edge of the 9th clock.
- <8> The master device and slave device set a wait status (SCLA0 = 0) at the falling edge of the 9th clock, and both the master device and slave device issue an interrupt (INTIICA0: end of transfer).
- <9> The master device writes the data to transmit to the IICA0 register and releases the wait status that it set by the master device.
- <10> The slave device reads the received data and releases the wait status (WRELO = 1). The master device then starts transferring data to the slave device.

Note If the transmitted address does not match the address of the slave device, the slave device does not return an ACK to the master device (NACK: SDAA0 = 1). The slave device also does not issue the INTIICA0 interrupt (address match) and does not set a wait status. The master device, however, issues the INTIICA0 interrupt (end of address transmission) regardless of whether it receives an ACK or NACK.

Remark <1> to <15> in Figure 13-32 represent the entire procedure for communicating data using the I²C bus. Figure 13-32 (1) Start condition ~ address ~ data shows the processing from <1> to <6>, Figure 13-32 (2) Address ~ data ~ data shows the processing from <3> to <10>, and Figure 13-32 (3) Data ~ data ~ stop condition shows the processing from <7> to <15>.

Figure 13-32. Example of Master to Slave Communication
(9-Clock Wait Is Selected for Master, 9-Clock Wait Is Selected for Slave) (3/4)

(3) Data ~ data ~ Stop condition



- Notes**
1. Write data to IICA0, not setting the WRELO bit, in order to cancel a wait state during transmission by a master device.
 2. Make sure that the time between the rise of the SCLA0 pin signal and the generation of the stop condition after a stop condition has been issued is at least 4.0 μ s when specifying standard mode and at least 0.6 μ s when specifying fast mode.
 3. For releasing wait state during reception of a slave device, write "FFH" to IICA0 or set the WRELO bit.

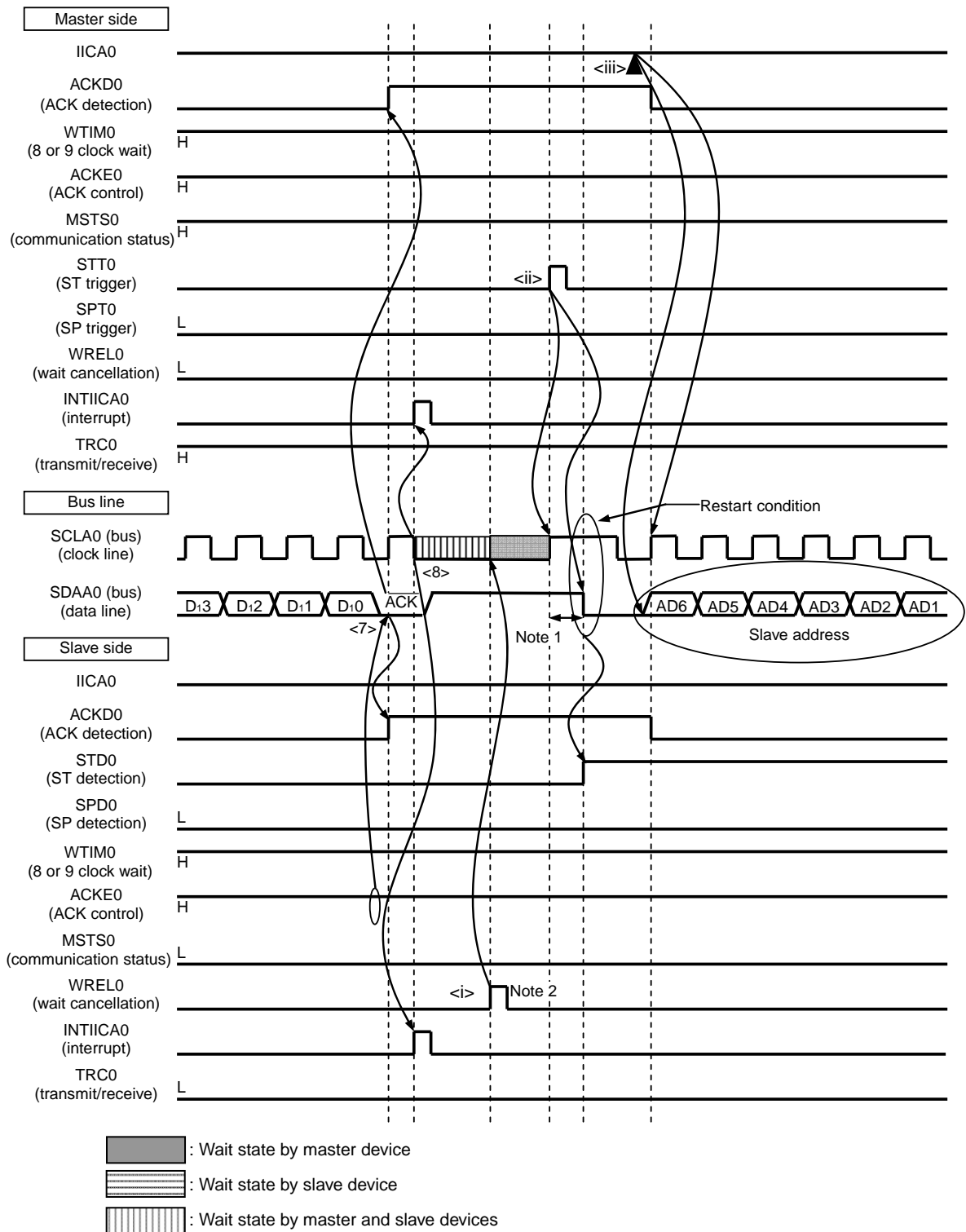
The meanings of <7> to <15> in (3) Data ~ data ~ stop condition in Figure 13-32 are explained below.

- <7> After data transfer is completed, because of $ACKE0 = 1$, the slave device sends an ACK by hardware to the master device. The ACK is detected by the master device ($ACKD0 = 1$) at the rising edge of the 9th clock.
- <8> The master device and slave device set a wait status ($SCLA0 = 0$) at the falling edge of the 9th clock, and both the master device and slave device issue an interrupt (INTIICA0: end of transfer).
- <9> The master device writes the data to transmit to the IICA shift register 0 (IICA0) and releases the wait status that it set by the master device.
- <10> The slave device reads the received data and releases the wait status ($WREL0 = 1$). The master device then starts transferring data to the slave device.
- <11> When data transfer is complete, the slave device ($ACKE0 = 1$) sends an ACK by hardware to the master device. The ACK is detected by the master device ($ACKD0 = 1$) at the rising edge of the 9th clock.
- <12> The master device and slave device set a wait status ($SCLA0 = 0$) at the falling edge of the 9th clock, and both the master device and slave device issue an interrupt (INTIICA0: end of transfer).
- <13> The slave device reads the received data and releases the wait status ($WREL0 = 1$).
- <14> By the master device setting a stop condition trigger ($SPT0 = 1$), the bus data line is cleared ($SDAA0 = 0$) and the bus clock line is set ($SCLA0 = 1$). After the stop condition setup time has elapsed, by setting the bus data line ($SDAA0 = 1$), the stop condition is then generated (i.e. $SCLA0 = 1$ changes $SDAA0$ from 0 to 1).
- <15> When a stop condition is generated, the slave device detects the stop condition and issues an interrupt (INTIICA0: stop condition).

Remark <1> to <15> in Figure 13-32 represent the entire procedure for communicating data using the I²C bus. Figure 13-32 (1) Start condition ~ address ~ data shows the processing from <1> to <6>, Figure 13-32 (2) Address ~ data ~ data shows the processing from <3> to <10>, and Figure 13-32 (3) Data ~ data ~ stop condition shows the processing from <7> to <15>.

**Figure 13-32. Example of Master to Slave Communication
(9-Clock Wait Is Selected for Master, 9-Clock Wait Is Selected for Slave) (4/4)**

(4) Data ~ restart condition ~ address



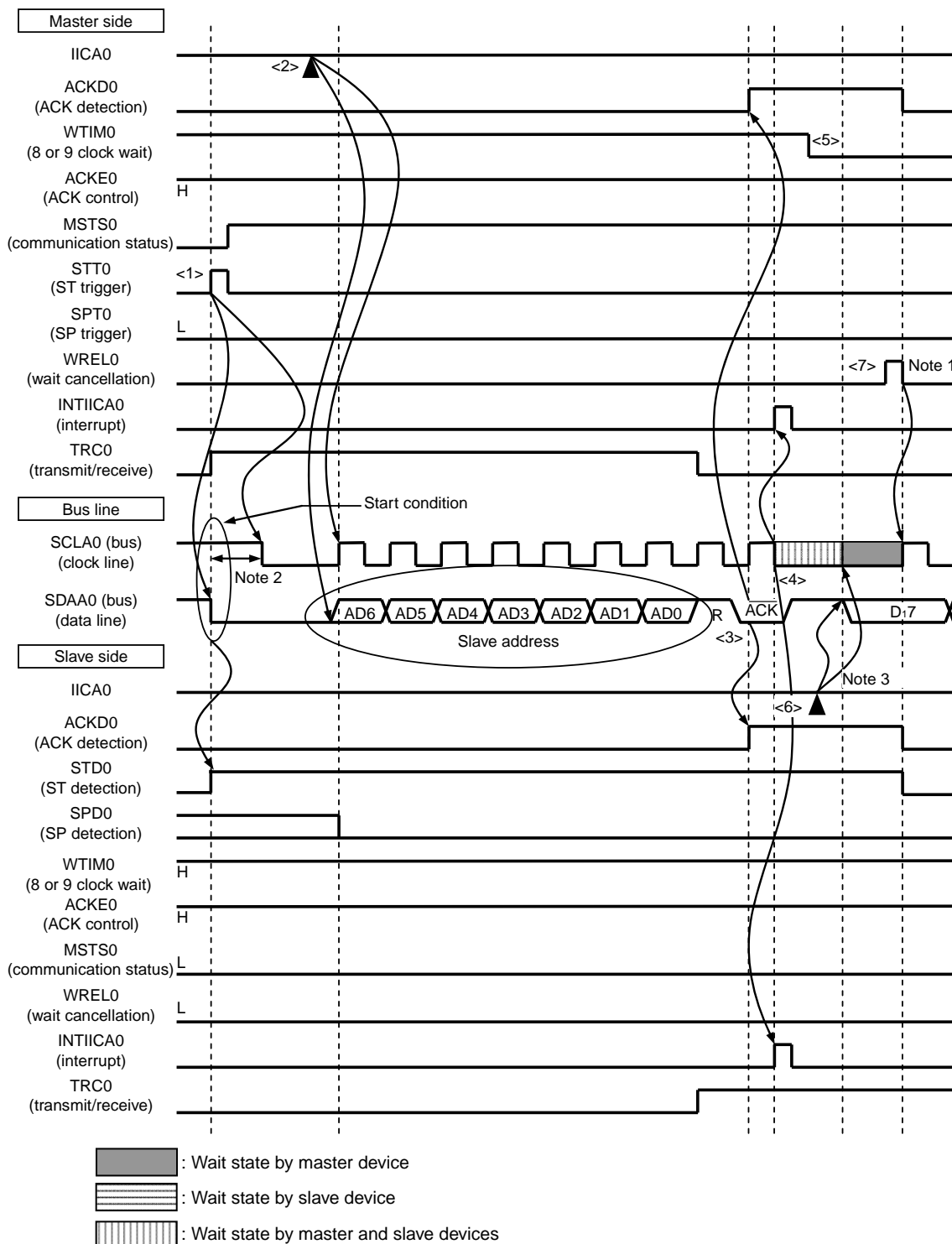
- Notes**
1. Make sure that the time between the rise of the SCLA0 pin signal and the generation of the start condition after a restart condition has been issued is at least 4.7 μs when specifying standard mode and at least 0.6 μs when specifying fast mode.
 2. For releasing wait state during reception of a slave device, write "FFH" to IICA0 or set the WRELO bit.

The following describes the operations in Figure 13-32 (4) Data ~ restart condition ~ address. After the operations in steps <7> and <8>, the operations in steps <1> to <3> are performed. These steps return the processing to step <3>, the data transmission step.

- <7> After data transfer is completed, because of $ACKEO = 1$, the slave device sends an ACK by hardware to the master device. The ACK is detected by the master device ($ACKDO = 1$) at the rising edge of the 9th clock.
- <8> The master device and slave device set a wait status ($SCLA0 = 0$) at the falling edge of the 9th clock, and both the master device and slave device issue an interrupt ($INTIICA0$: end of transfer).
- <i> The slave device reads the received data and releases the wait status ($WRELO = 1$).
- <ii> The start condition trigger is set again by the master device ($STT0 = 1$) and a start condition (i.e. $SCLA0 = 1$ changes $SDAA0$ from 1 to 0) is generated once the bus clock line goes high ($SCLA0 = 1$) and the bus data line goes low ($SDAA0 = 0$) after the restart condition setup time has elapsed. When the start condition is subsequently detected, the master device is ready to communicate once the bus clock line goes low ($SCLA0 = 0$) after the hold time has elapsed.
- <iii> The master device writing the address + R/W (transmission) to the IICA shift register ($IICA0$) enables the slave address to be transmitted.

**Figure 13-33. Example of Slave to Master Communication
(8-Clock Wait Is Selected for Master, 9-Clock Wait Is Selected for Slave) (1/3)**

(1) Start condition ~ address ~ data



- Notes**
- For releasing wait state during reception of a master device, write "FFH" to IICA0 or set the WREL0 bit.
 - Make sure that the time between the fall of the SDAA0 pin signal and the fall of the SCLA0 pin signal is at least 4.0 μ s when specifying standard mode and at least 0.6 μ s when specifying fast mode.
 - Write data to IICA0, not setting the WREL0 bit, in order to cancel a wait state during transmission by a slave device.

The meanings of <1> to <7> in (1) Start condition ~ address ~ data in Figure 13-33 are explained below.

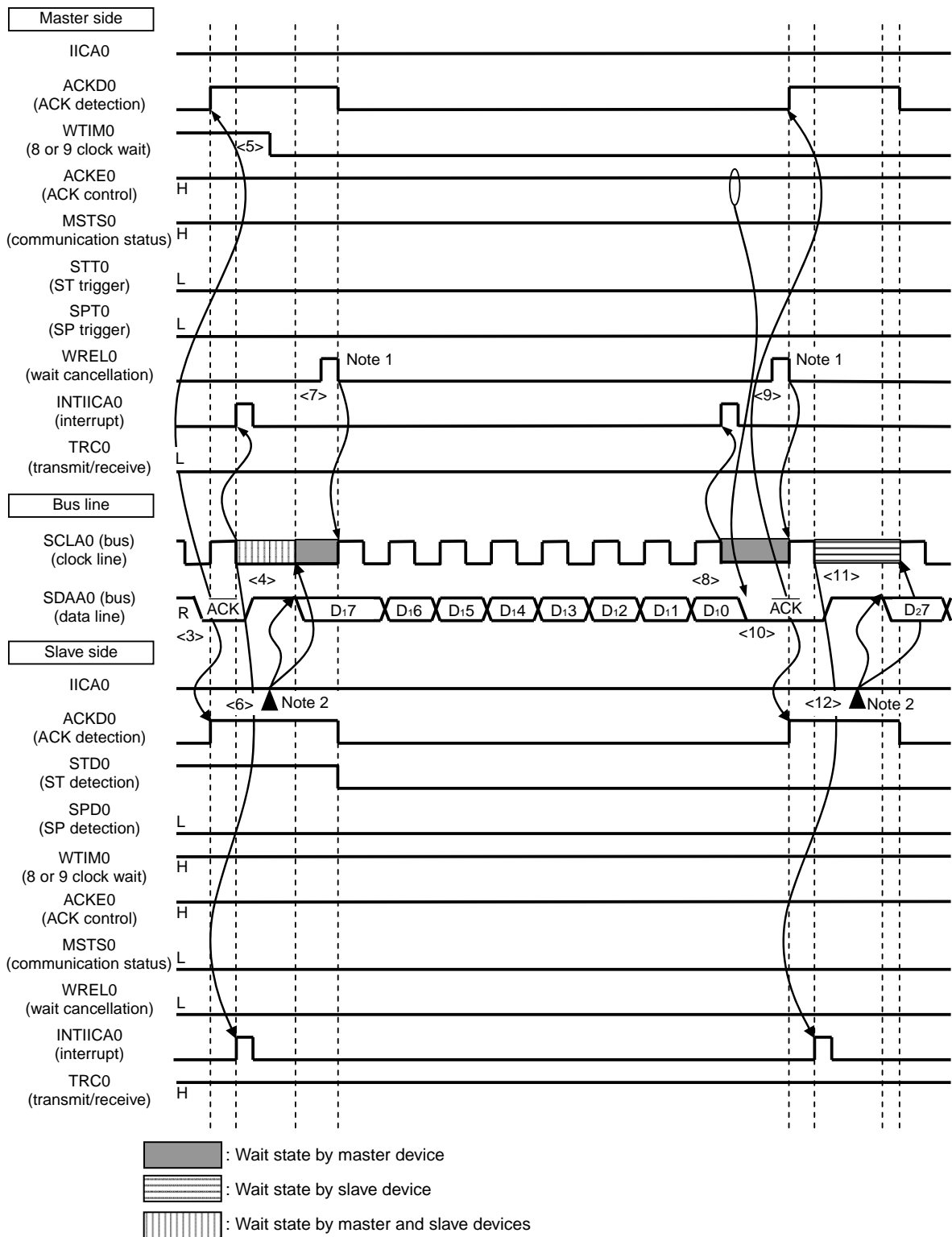
- <1> The start condition trigger is set by the master device (STT0 = 1) and a start condition (i.e. SCLA0 = 1 changes SDAA0 from 1 to 0) is generated once the bus data line goes low (SDAA0). When the start condition is subsequently detected, the master device enters the master device communication status (MSTS0 = 1). The master device is ready to communicate once the bus clock line goes low (SCLA0 = 0) after the hold time has elapsed.
- <2> The master device writes the address + R (reception) to the IICA shift register 0 (IICA0) and transmits the slave address.
- <3> In the slave device if the address received matches the address (SVA0 value) of a slave device^{Note}, that slave device sends an ACK by hardware to the master device. The ACK is detected by the master device (ACKD0 = 1) at the rising edge of the 9th clock.
- <4> The master device issues an interrupt (INTIICA0: end of address transmission) at the falling edge of the 9th clock. The slave device whose address matched the transmitted slave address sets a wait status (SCLA0 = 0) and issues an interrupt (INTIICA0: address match)^{Note}.
- <5> The timing at which the master device sets the wait status changes to the 8th clock (WTIM0 = 0).
- <6> The slave device writes the data to transmit to the IICA0 register and releases the wait status that it set by the slave device.
- <7> The master device releases the wait status (WREL0 = 1) and starts transferring data from the slave device to the master device.

Note If the transmitted address does not match the address of the slave device, the slave device does not return an ACK to the master device (NACK: SDAA0 = 1). The slave device also does not issue the INTIICA0 interrupt (address match) and does not set a wait status. The master device, however, issues the INTIICA0 interrupt (end of address transmission) regardless of whether it receives an ACK or NACK.

Remark <1> to <19> in Figure 13-33 represent the entire procedure for communicating data using the I²C bus. Figure 13-33 (1) Start condition ~ address ~ data shows the processing from <1> to <7>, Figure 13-33 (2) Address ~ data ~ data shows the processing from <3> to <12>, and Figure 13-33 (3) Data ~ data ~ stop condition shows the processing from <8> to <19>.

Figure 13-33. Example of Slave to Master Communication
(8-Clock Wait Is Selected for Master, 9-Clock Wait Is Selected for Slave) (2/3)

(2) Address ~ data ~ data



- Notes**
- For releasing wait state during reception of a master device, write "FFH" to IICA0 or set the WRELO bit.
 - Write data to IICA0, not setting the WRELO bit, in order to cancel a wait state during transmission by a slave device.

The meanings of <3> to <12> in (2) Address ~ data ~ data in Figure 13-33 are explained below.

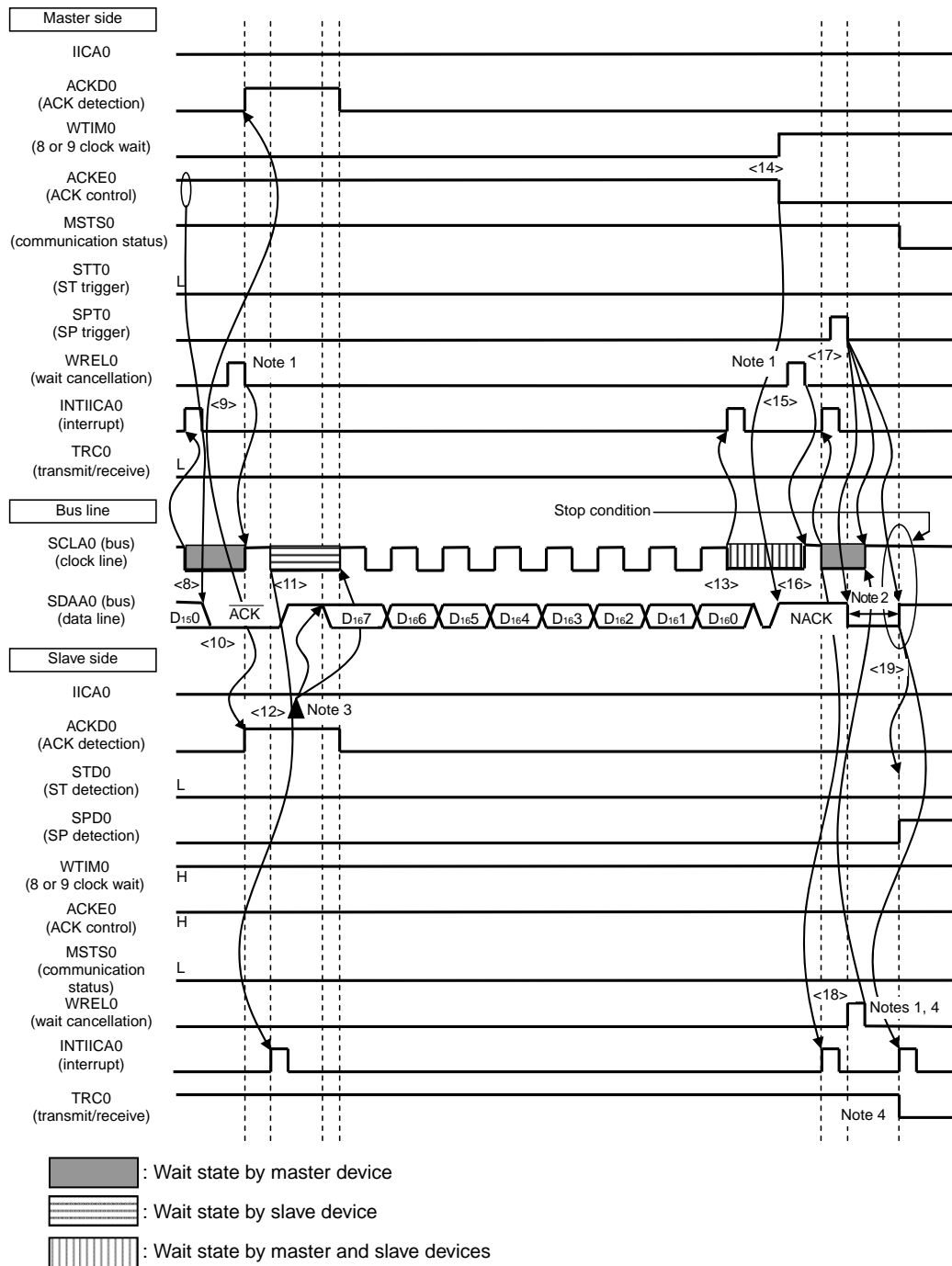
- <3> In the slave device if the address received matches the address (SVA0 value) of a slave device^{Note}, that slave device sends an ACK by hardware to the master device. The ACK is detected by the master device (ACKD0 = 1) at the rising edge of the 9th clock.
- <4> The master device issues an interrupt (INTIICA0: end of address transmission) at the falling edge of the 9th clock. The slave device whose address matched the transmitted slave address sets a wait status (SCLA0 = 0) and issues an interrupt (INTIICA0: address match)^{Note}.
- <5> The master device changes the timing of the wait status to the 8th clock (WTIM0 = 0).
- <6> The slave device writes the data to transmit to the IICA shift register 0 (IICA0) and releases the wait status that it set by the slave device.
- <7> The master device releases the wait status (WREL0 = 1) and starts transferring data from the slave device to the master device.
- <8> The master device sets a wait status (SCLA0 = 0) at the falling edge of the 8th clock, and issues an interrupt (INTIICA0: end of transfer). Because of ACKE0 = 1 in the master device, the master device then sends an ACK by hardware to the slave device.
- <9> The master device reads the received data and releases the wait status (WREL0 = 1).
- <10> The ACK is detected by the slave device (ACKD0 = 1) at the rising edge of the 9th clock.
- <11> The slave device set a wait status (SCLA0 = 0) at the falling edge of the 9th clock, and the slave device issue an interrupt (INTIICA0: end of transfer).
- <12> By the slave device writing the data to transmit to the IICA0 register, the wait status set by the slave device is released. The slave device then starts transferring data to the master device.

Note If the transmitted address does not match the address of the slave device, the slave device does not return an ACK to the master device (NACK: SDAA0 = 1). The slave device also does not issue the INTIICA0 interrupt (address match) and does not set a wait status. The master device, however, issues the INTIICA0 interrupt (end of address transmission) regardless of whether it receives an ACK or NACK.

Remark <1> to <19> in Figure 13-33 represent the entire procedure for communicating data using the I²C bus. Figure 13-33 (1) Start condition ~ address ~ data shows the processing from <1> to <7>, Figure 13-33 (2) Address ~ data ~ data shows the processing from <3> to <12>, and Figure 13-33 (3) Data ~ data ~ stop condition shows the processing from <8> to <19>.

Figure 13-33. Example of Slave to Master Communication
(8-Clock and 9-Clock Wait Is Selected for Master, 9-Clock Wait Is Selected for Slave) (3/3)

(3) Data ~ data ~ stop condition



- Notes**
1. To cancel a wait state, write "FFH" to IICA0 or set the WREL0 bit.
 2. Make sure that the time between the rise of the SCLA0 pin signal and the generation of the stop condition after a stop condition has been issued is at least 4.0 μ s when specifying standard mode and at least 0.6 μ s when specifying fast mode.
 3. Write data to IICA0, not setting the WREL0 bit, in order to cancel a wait state during transmission by a slave device.
 4. If a wait state during transmission by a slave device is canceled by setting the WREL0 bit, the TRC0 bit will be cleared.

The meanings of <8> to <19> in (3) Data ~ data ~ stop condition in Figure 13-33 are explained below.

- <8> The master device sets a wait status (SCLA0 = 0) at the falling edge of the 8th clock, and issues an interrupt (INTIICA0: end of transfer). Because of ACKE0 = 0 in the master device, the master device then sends an ACK by hardware to the slave device.
- <9> The master device reads the received data and releases the wait status (WREL0 = 1).
- <10> The ACK is detected by the slave device (ACKD0 = 1) at the rising edge of the 9th clock.
- <11> The slave device set a wait status (SCLA0 = 0) at the falling edge of the 9th clock, and the slave device issue an interrupt (INTIICA0: end of transfer).
- <12> By the slave device writing the data to transmit to the IICA register, the wait status set by the slave device is released. The slave device then starts transferring data to the master device.
- <13> The master device issues an interrupt (INTIICA0: end of transfer) at the falling edge of the 8th clock, and sets a wait status (SCLA0 = 0). Because ACK control (ACKE0 = 1) is performed, the bus data line is at the low level (SDAA0 = 0) at this stage.
- <14> The master device sets NACK as the response (ACKE0 = 0) and changes the timing at which it sets the wait status to the 9th clock (WTIM0 = 1).
- <15> If the master device releases the wait status (WREL0 = 1), the slave device detects the NACK (ACKD0 = 0) at the rising edge of the 9th clock.
- <16> The master device and slave device set a wait status (SCLA0 = 0) at the falling edge of the 9th clock, and both the master device and slave device issue an interrupt (INTIICA0: end of transfer).
- <17> When the master device issues a stop condition (SPT0 = 1), the bus data line is cleared (SDAA0 = 0) and the master device releases the wait status. The master device then waits until the bus clock line is set (SCLA0 = 1).
- <18> The slave device acknowledges the NACK, halts transmission, and releases the wait status (WREL0 = 1) to end communication. Once the slave device releases the wait status, the bus clock line is set (SCLA0 = 1).
- <19> Once the master device recognizes that the bus clock line is set (SCLA0 = 1) and after the stop condition setup time has elapsed, the master device sets the bus data line (SDAA0 = 1) and issues a stop condition (i.e. SCLA0 =1 changes SDAA0 from 0 to 1). The slave device detects the generated stop condition and slave device issue an interrupt (INTIICA0: stop condition).

Remark <1> to <19> in Figure 13-33 represent the entire procedure for communicating data using the I²C bus. Figure 13-33 (1) Start condition ~ address ~ data shows the processing from <1> to <7>, Figure 13-33 (2) Address ~ data ~ data shows the processing from <3> to <12>, and Figure 13-33 (3) Data ~ data ~ stop condition shows the processing from <8> to <19>.

CHAPTER 14 LCD CONTROLLER/DRIVER

The number of LCD display function pins of the RL78/L12 differs depending on the product. The following table shows the number of pins of each product.

Table 14-1. Number of LCD Display Function Pins of Each Product (1/3)

(a) 32-pin and 44-pin products

Part No.		RL78/L12															
		32 pins (R5F10RBx (x = C, A, 8))								44 pins (R5F10RFx (x = C, A, 8))							
Number of LCD output pins		Segment signal outputs: 13 Common signal outputs: 4								Segment signal outputs: 22 (18) ^{Note} Common signal outputs: 8							
Correspondence between multiplexed segment signal output pin functions and I/O port pin functions	x	7	6	5	4	3	2	1	0	7	6	5	4	3	2	1	0
	I/O port																
	P1x	SEG 6	SEG 5	SEG 4	SEG 32	SEG 31	SEG 30	SEG 29	SEG 28	SEG 6	SEG 5	SEG 4	SEG 32	SEG 31	SEG 30	SEG 29	SEG 28
	P3x	-	-	-	-	-	-	-	SEG 19	-	-	-	-	-	SEG 17	SEG 18	SEG 19
	P4x	-	-	-	-	-	-	-	-	-	-	-	-	-	-	-	-
	P5x	-	-	-	-	-	-	-	-	-	-	-	-	-	-	-	-
	P6x	-	-	-	-	-	-	SEG 20	SEG 21	-	-	-	-	-	-	SEG 20	SEG 21
	P7x	-	-	-	-	-	-	-	-	-	-	-	-	-	-	-	-
	P12x	-	-	-	-	-	-	-	-	-	-	-	-	-	-	-	SEG 25
P14x	-	-	-	-	-	-	-	SEG 27	-	-	-	-	SEG 34	SEG 33	SEG 26	SEG 27	
Correspondence between multiplexed COM signal output pin functions and I/O port pin functions		-								-							
Correspondence between multiplexed COM signal output pin functions and other LCD display pin functions		SEG0								SEG0							
		-								SEG1							
		-								SEG2							
		-								SEG3							

Note () indicates the number of signal output pins when 8 com is used.

Table 14-1. Number of LCD Display Function Pins of Each Product (2/3)

(b) 48-pin and 52-pin products

Part No.		RL78/L12															
		48 pins (R5F10RGx (x = C, A, 8))								52 pins (R5F10RJx (x = C, A, 8))							
Number of LCD output pins		Segment signal outputs: 26 (22) ^{Note} Common signal outputs: 8								Segment signal outputs: 30 (26) ^{Note} Common signal outputs: 8							
Correspondence between multiplexed segment signal output pin functions and I/O port pin functions	x	7	6	5	4	3	2	1	0	7	6	5	4	3	2	1	0
	I/O port																
	P1x	SEG 6	SEG 5	SEG 4	SEG 32	SEG 31	SEG 30	SEG 29	SEG 28	SEG 6	SEG 5	SEG 4	SEG 32	SEG 31	SEG 30	SEG 29	SEG 28
	P3x	-	-	-	-	-	SEG 17	SEG 18	SEG 19	-	-	-	-	-	SEG 17	SEG 18	SEG 19
	P4x	-	-	-	-	-	-	SEG 24	-	-	-	-	-	-	SEG 23	SEG 24	-
	P5x	-	-	-	-	-	-	-	SEG 7	-	-	-	-	-	-	SEG 8	SEG 7
	P6x	-	-	-	-	-	-	SEG 20	SEG 21	-	-	-	-	-	-	SEG 20	SEG 21
	P7x	-	-	-	-	-	-	-	SEG 16	-	-	-	-	-	-	SEG 15	SEG 16
	P12x	-	-	-	-	-	-	-	SEG 25	-	-	-	-	-	-	-	SEG 25
P14x	-	-	-	SEG 35	SEG 34	SEG 33	SEG 26	SEG 27	-	-	SEG 36	SEG 35	SEG 34	SEG 33	SEG 26	SEG 27	
Correspondence between multiplexed COM signal output pin functions and I/O port pin functions		-								-							
Correspondence between multiplexed COM signal output pin functions and other LCD display pin functions		SEG0								SEG0							
		SEG1								SEG1							
		SEG2								SEG2							
		SEG3								SEG3							

Note () indicates the number of signal output pins when 8 com is used.

Table 14-1. Number of LCD Display Function Pins of Each Product (3/3)

(c) 64-pin products

<R>	Part No.	RL78/L12							
	Item	64 pins (R5F10RLx (x = C, A))							
	Number of LCD output pins	Segment signal outputs: 39 (35) ^{Note} Common signal outputs: 8							
Correspondence between multiplexed segment signal output pin functions and I/O port pin functions	x	7	6	5	4	3	2	1	0
	I/O port								
	P1x	SEG6	SEG5	SEG4	SEG32	SEG31	SEG30	SEG29	SEG28
	P3x	–	–	–	–	–	SEG17	SEG18	SEG19
	P4x	–	–	–	–	SEG22	SEG23	SEG24	–
	P5x	–	–	–	SEG11	SEG10	SEG9	SEG8	SEG7
	P6x	–	–	–	–	–	–	SEG20	SEG21
	P7x	–	–	–	SEG12	SEG13	SEG14	SEG15	SEG16
	P12x	–	–	–	–	–	–	–	SEG25
	P14x	SEG38	SEG37	SEG36	SEG35	SEG34	SEG33	SEG26	SEG27
	Correspondence between multiplexed COM signal output pin functions and I/O port pin functions	–							
	Correspondence between multiplexed COM signal output pin functions and other LCD display pin functions	SEG0							
		SEG1							
		SEG2							
		SEG3							

Note () indicates the number of signal output pins when 8 com is used.

14.1 Functions of LCD Controller/Driver

The functions of the LCD controller/driver in the RL78/L12 microcontrollers are as follows.

- <R> (1) Waveform A or B selectable
- (2) The LCD driver voltage generator can switch internal voltage boosting method, capacitor split method, and external resistance division method.
- (3) Automatic output of segment and common signals based on automatic display data register read
- (4) The reference voltage to be generated when operating the voltage boost circuit can be selected from 16 steps (contrast adjustment).
- <R> (5) The LCD can be made to blink ^{Note}

<R> **Note** Selecting f_{IL} as the LCD source clock (f_{LCB}) is prohibited.

Table 14-2 lists the maximum number of pixels that can be displayed in each display mode.

Table 14-2. Maximum Number of Pixels (1/5)

(a) 32-pin products

<R>

Drive Waveform for LCD Driver	LCD Driver Voltage Generator	Bias Mode	Number of Time Slices	Maximum Number of Pixels
Waveform A	External resistance division	–	Static	13 (13 segment signals, 1 common signal)
		1/2	2	26 (13 segment signals, 2 common signals)
			3	39 (13 segment signals, 3 common signals)
		1/3	3	52 (13 segment signals, 4 common signals)
	4			
	Internal voltage boosting, capacitor split	1/3	3	39 (13 segment signals, 3 common signals)
4			52 (13 segment signals, 4 common signals)	
Waveform B	External resistance division, internal voltage boosting, capacitor split	1/3	4	

Table 14-2. Maximum Number of Pixels (2/5)

(b) 44-pin products

<R>

Drive Waveform for LCD Driver	LCD Driver Voltage Generator	Bias Mode	Number of Time Slices	Maximum Number of Pixels
Waveform A	External resistance division	–	Static	22 (22 segment signals, 1 common signal)
		1/2	2	44 (22 segment signals, 2 common signals)
			3	66 (22 segment signals, 3 common signals)
		1/3	3	88 (22 segment signals, 4 common signals)
			4	
	1/4	8	144 (18 segment signals, 8 common signals)	
	Internal voltage boosting	1/3	3	66 (22 segment signals, 3 common signals)
			4	88 (22 segment signals, 4 common signals)
			1/4	144 (18 segment signals, 8 common signals)
	Capacitor split	1/3	3	66 (22 segment signals, 3 common signals)
4			88 (22 segment signals, 4 common signals)	
Waveform B	External resistance division, internal voltage boosting	1/3	4	176 (22 segment signals, 8 common signals)
		1/4	8	
	Capacitor split	1/3	4	88 (22 segment signals, 4 common signals)

Table 14-2. Maximum Number of Pixels (3/5)

(c) 48-pin products

<R>

Drive Waveform for LCD Driver	LCD Driver Voltage Generator	Bias Mode	Number of Time Slices	Maximum Number of Pixels
Waveform A	External resistance division	-	Static	26 (26 segment signals, 1 common signal)
			2	52 (26 segment signals, 2 common signals)
		1/2	3	78 (26 segment signals, 3 common signals)
			3	
		1/3	4	104 (26 segment signals, 4 common signals)
			8	176 (22 segment signals, 8 common signals)
	Internal voltage boosting	1/3	3	78 (26 segment signals, 3 common signals)
			4	104 (26 segment signals, 4 common signals)
		1/4	8	176 (22 segment signals, 8 common signals)
	Capacitor split	1/3	3	78 (26 segment signals, 3 common signals)
			4	104 (26 segment signals, 4 common signals)
	Waveform B	External resistance division, internal voltage boosting	1/3	4
1/4			8	176 (22 segment signals, 8 common signals)
Capacitor split		1/3	4	104 (26 segment signals, 4 common signals)

Table 14-2. Maximum Number of Pixels (4/5)

(d) 52-pin products

<R>

Drive Waveform for LCD Driver	LCD Driver Voltage Generator	Bias Mode	Number of Time Slices	Maximum Number of Pixels
Waveform A	External resistance division	-	Static	30 (30 segment signals, 1 common signal)
			2	60 (30 segment signals, 2 common signals)
		1/2	3	90 (30 segment signals, 3 common signals)
			3	
		1/3	4	120 (30 segment signals, 4 common signals)
			8	208 (26 segment signals, 8 common signals)
	Internal voltage boosting	1/3	3	90 (30 segment signals, 3 common signals)
			4	120 (30 segment signals, 4 common signals)
		1/4	8	208 (26 segment signals, 8 common signals)
	Capacitor split	1/3	3	90 (30 segment signals, 3 common signals)
			4	120 (30 segment signals, 4 common signals)
	Waveform B	External resistance division, internal voltage boosting	1/3	4
1/4			8	208 (26 segment signals, 8 common signals)
Capacitor split		1/3	4	120 (30 segment signals, 4 common signals)

Table 14-2. Maximum Number of Pixels (5/5)

(e) 64-pin products

Drive Waveform for LCD Driver	LCD Driver Voltage Generator	Bias Mode	Number of Time Slices	Maximum Number of Pixels
Waveform A	External resistance division	–	Static	39 (39 segment signals, 1 common signal)
		1/2	2	78 (39 segment signals, 2 common signals)
			3	117 (39 segment signals, 3 common signals)
		1/3	3	156 (39 segment signals, 4 common signals)
			4	
	1/4	8	280 (35 segment signals, 8 common signals)	
	Internal voltage boosting	1/3	3	117 (39 segment signals, 3 common signals)
			4	156 (39 segment signals, 4 common signals)
		1/4	8	280 (35 segment signals, 8 common signals)
	Capacitor split	1/3	3	117 (39 segment signals, 3 common signals)
			4	156 (39 segment signals, 4 common signals)
	Waveform B	External resistance division, internal voltage boosting	1/3	4
1/4			8	
Capacitor split		1/3	4	156 (39 segment signals, 4 common signals)

14.2 Configuration of LCD Controller/Driver

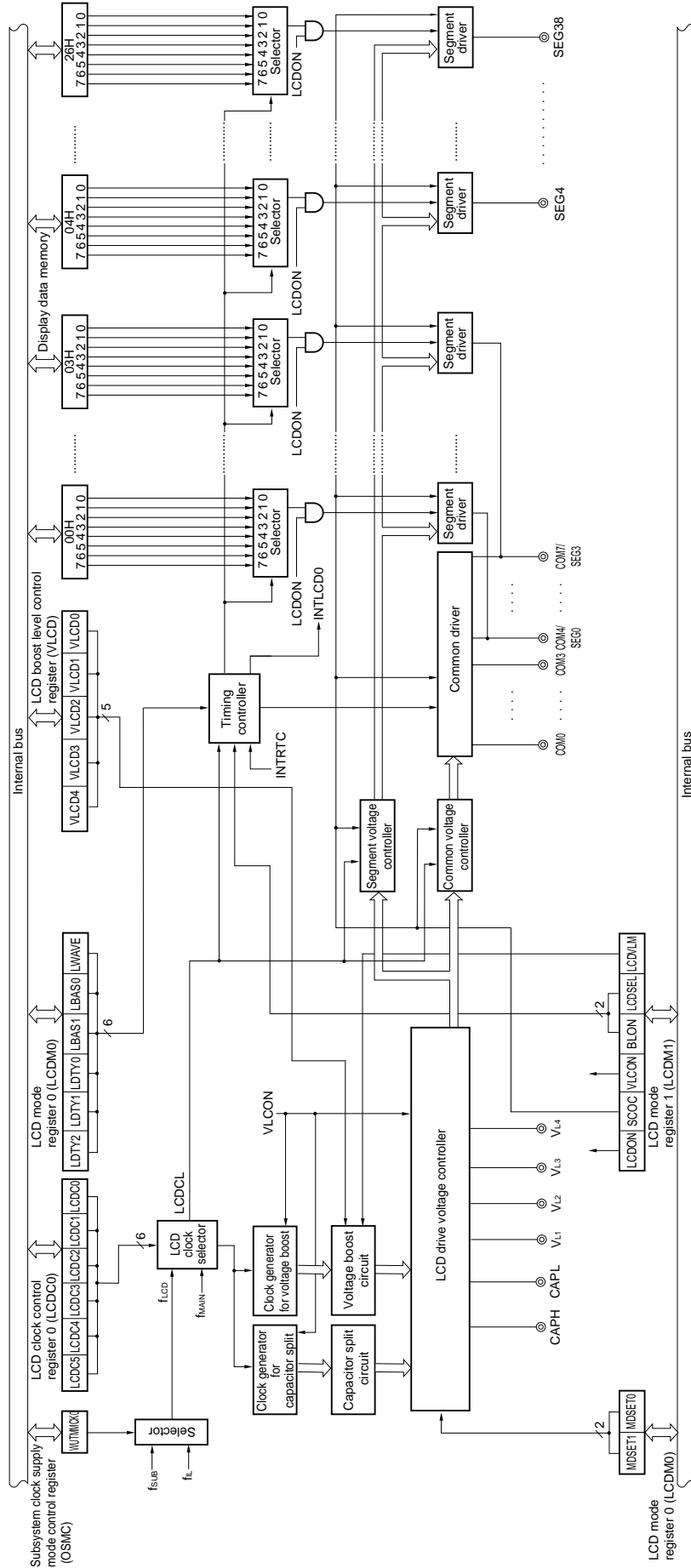
The LCD controller/driver consists of the following hardware.

Table 14-3. Configuration of LCD Controller/Driver

Item	Configuration
Control registers	Peripheral enable register 0 (PER0) LCD mode register 0 (LCDM0) LCD mode register 1 (LCDM1) Subsystem clock supply mode control register (OSMC) LCD clock control register 0 (LCDC0) LCD boost level control register (VLCD) LCD input switch control register (ISCLCD) LCD port function registers 0 to 4 (PFSEG0 to PFSEG4) Port mode registers 1, 3 to 7, 12, 14 (PM1, PM3 to PM7, PM12, PM14)

Figure 14-1. Block Diagram of LCD Controller/Driver

<R>



14.3 Registers Controlling LCD Controller/Driver

The following ten registers are used to control the LCD controller/driver.

- Peripheral enable register 0 (PER0)
- LCD mode register 0 (LCDM0)
- LCD mode register 1 (LCDM1)
- <R> • Subsystem clock supply mode control register (OSMC)
- LCD clock control register 0 (LCDC0)
- LCD boost level control register (VLCD)
- LCD input switch control register (ISCLCD)
- LCD port function registers 0 to 4 (PFSEG0 to PFSEG4)
- Port mode registers 1, 3 to 7, 12, 14 (PM1, PM3 to PM7, PM12, PM14)

14.3.1 Peripheral enable register 0 (PER0)

PER0 enables or disables supplying the clock to the peripheral hardware. Clock supply to a hardware macro that is not used is stopped in order to reduce the power consumption and noise.

When the LCD controller/driver is used in subsystem clock (f_{SUB}), be sure to set bit 7 (RTCEN) of this register to 1.

This register is set by using a 1-bit or 8-bit memory manipulation instruction.

Reset signal generation sets this register to 00H.

Figure 14-2. Format of Peripheral Enable Register 0 (PER0)

Address: F00F0H After reset: 00H R/W

Symbol	<7>	6	<5>	<4>	3	<2>	1	<0>
PER0	RTCEN	0	ADCEN	IICA0EN	0	SAU0EN	0	TAU0EN

RTCEN	Real-time clock (RTC), 12-bit interval timer	LCD controller/driver, clock output/buzzer output controller	
		When subsystem clock (f_{SUB}) is selected	When subsystem clock (f_{SUB}) is not selected
0	Stops input clock supply. <ul style="list-style-type: none"> SFR used by the real-time clock (RTC) and 12-bit interval timer cannot be written. The real-time clock (RTC) and 12-bit interval timer are in the reset status. 	Stops input clock and subsystem clock supply. <ul style="list-style-type: none"> SFR used by the LCD controller/driver and clock output/buzzer output controller can be read and written. 	Enables input clock and main system clock supply <ul style="list-style-type: none"> SFR used by the LCD controller/driver and clock output/buzzer output controller can be read and written.
1	Enables input clock supply. <ul style="list-style-type: none"> SFR used by the real-time clock (RTC) and 12-bit interval timer can be read and written. 	Enables input clock and subsystem clock supply <ul style="list-style-type: none"> SFR used by the LCD controller/driver and clock output/buzzer output controller can be read and written. 	

- <R>
- Cautions 1. The subsystem clock supply to peripheral functions other than the real-time clock, 12-bit interval timer, and LCD controller/driver can be stopped in HALT mode when the subsystem clock is used, by setting the RTCLPC bit of the subsystem clock supply mode control register (OSMC) to 1. In this case, set the RTCEN bit of the PER0 register to 1 and the other bits (bits 0 to 6) to 0.**
- 2. Be sure to set bits 1, 3, and 6 to “0”.**

14.3.2 LCD mode register 0 (LCDM0)

LCDM0 specifies the LCD operation.

This register is set by using an 8-bit memory manipulation instruction.

Reset signal generation sets LCDM0 to 00H.

Figure 14-3. Format of LCD Mode Register 0 (LCDM0) (1/2)

Address: FFF40H After reset: 00H R/W

Symbol	7	6	5	4	3	2	1	0
LCDM0	MDSET1	MDSET0	LWAVE	LDTY2	LDTY1	LDTY0	LBAS1	LBAS0

MDSET1	MDSET0	LCD drive voltage generator selection
0	0	External resistance division method
0	1	Internal voltage boosting method
1	0	Capacitor split method
1	1	Setting prohibited

<R>

LWAVE	LCD display waveform selection
0	Waveform A
1	Waveform B

LDTY2	LDTY1	LDTY0	Selection of time slice of LCD display
0	0	0	Static
0	0	1	2-time slice
0	1	0	3-time slice
0	1	1	4-time slice
1	0	1	8-time slice
Other than above			Setting prohibited

Figure 14-3. Format of LCD Mode Register 0 (LCDM0) (2/2)

Address: FFF40H After reset: 00H R/W

Symbol	7	6	5	4	3	2	1	0
LCDM0	MDSET1	MDSET0	LWAVE	LDTY2	LDTY1	LDTY0	LBAS1	LBAS0

LBAS1	LBAS0	LCD display bias mode selection
0	0	1/2 bias method
0	1	1/3 bias method
1	0	1/4 bias method
1	1	Setting prohibited

- Cautions**
1. Do not rewrite the LCDM0 value while the SCOC bit of the LCDM1 register = 1.
 2. When “Static” is selected (LDTY2 to LDTY0 bits = 000B), be sure to set the LBAS1 and LBAS0 bits to the default value (00B). Otherwise, the operation will not be guaranteed.
 3. Only the combinations of display waveform, number of time slices, and bias method shown in Table 14-4 are supported.
Combinations of settings not shown in Table 14-4 are prohibited.

<R> Table 14-4. Combinations of Display Waveform, Time Slices, and Bias Method and Frame Frequency

Display Mode			Set Value						Driving Voltage Generation Method		
Display Waveform	Number of Time Slices	Bias Mode	LWAVE	LDTY2	LDTY1	LDTY0	LBAS1	LBAS0	External Resistance Division	Internal Voltage Boosting	Capacitor Split
Waveform A	8	1/4	0	1	0	1	1	0	○ (24 to 128 Hz)	○ (24 to 64 Hz)	×
Waveform A	4	1/3	0	0	1	1	0	1	○ (24 to 128 Hz)	○ (24 to 128 Hz)	○ (24 to 128 Hz)
Waveform A	3	1/3	0	0	1	0	0	1	○ (32 to 128 Hz)	○ (32 to 128 Hz)	○ (32 to 128 Hz)
Waveform A	3	1/2	0	0	1	0	0	0	○ (32 to 128 Hz)	×	×
Waveform A	2	1/2	0	0	0	1	0	0	○ (24 to 128 Hz)	×	×
Waveform A	Static		0	0	0	0	0	0	○ (24 to 128 Hz)	×	×
Waveform B	8	1/4	1	1	0	1	1	0	○ (24 to 128 Hz)	○ (24 to 64 Hz)	×
Waveform B	4	1/3	1	0	1	1	0	1	○ (24 to 128 Hz)	○ (24 to 128 Hz)	○ (24 to 128 Hz)

Remark ○: Supported
 ×: Not supported

14.3.3 LCD mode register 1 (LCDM1)

LCDM1 enables or disables display operation, voltage boost circuit operation, and capacitor split circuit operation, and specifies the display data area and the low voltage mode.

LCDM1 is set using a 1-bit or 8-bit memory manipulation instruction.

Reset signal generation sets LCDM1 to 00H.

Figure 14-4. Format of LCD Mode Register 1 (LCDM1) (1/2)

Address: FFF41H After reset: 00H R/W

Symbol	<7>	<6>	<5>	<4>	<3>	2	1	<0>
LCDM1	LCDON	SCOC	VLCON	BLON	LCDSEL	0	0	LCDVLM

<R>	SCOC	LCDON	LCD display enable/disable
	When normal liquid crystal waveform (waveform A or B) is output		
	0	0	Output ground level to segment/common pin
	0	1	
	1	0	Display off (all segment outputs are deselected.)
1	1	Display on	

VLCON	Voltage boost circuit or capacitor split circuit operation enable/disable
0	Stops voltage boost circuit or capacitor split circuit operation
¹ Note 1	Enables voltage boost circuit or capacitor split circuit operation

<R>	BLON ^{Note 2}	LCDSEL	Display data area control
	0	0	Displaying an A-pattern area data (lower four bits of LCD display data register)
	0	1	Displaying a B-pattern area data (higher four bits of LCD display data register)
	1	0	Alternately displaying A-pattern and B-pattern area data (blinking display corresponding to the constant-period interrupt (INTRTC) timing of the real-time clock (RTC))
	1	1	

Notes 1. Setting is prohibited when External resistance division method.

2. When f_{IL} is selected as the LCD source clock (f_{LCD}), be sure to set the BLON bit to “0”.

(Cautions are listed on the next page.)

Figure 14-4. Format of LCD Mode Register 1 (LCDM1) (2/2)

Address: FFF41H After reset: 00H R/W

Symbol	<7>	<6>	<5>	<4>	<3>	2	1	<0>
LCDM1	LCDON	SCOC	VLCON	BLON	LCDSEL	0	0	LCDVLM

LCDVLM ^{Note}	Control of default value of voltage boosting pin
0	Set when $V_{DD} \geq 2.7$ V
1	Set when $V_{DD} \leq 4.2$ V

Note This bit is used to boost the voltage efficiently when using the voltage boost circuit by setting the initial VLx pin status.

If V_{DD} is 2.7 V or higher when voltage boosting starts, set the LCDVLM bit to 0; if V_{DD} is 4.2 V or lower, set the LCDVLM bit to 1.

If V_{DD} is within the range between 2.7 V and 4.2 V, the LCDVLM bit may be set to 0 or 1.

- <R> **Cautions**
- 1. To reduce power consumption when nothing is to be displayed on the LCD while the voltage boost circuit is in use, set the SCOC and VLCON bits to “0”, and set the MDSET1 and MDSET0 bits to “00”.
When MDSET1 and MDSET0 = 01, the internal reference voltage generator operates and so consumes power.**
 - 2. When the external resistance division method has been set (MDSET1 and MDSET0 of LCDM0 = 00B) or capacitor split method has been set (MDSET1 and MDSET0 = 10B), set the LCDVLM bit to 0.**
 - 3. Do not rewrite the VLCON and LCDVLM bits while SCOC = 1.**
 - 4. Set the BLON and LCDSEL bits to 0 when 8 has been selected as the number of time slices for the display mode.**
 - 5. To use the internal voltage boosting method, specify the reference voltage by using the VLCD register (select the internal boosting method (by setting the MDSET1 and MDSET0 bits of the LCDM0 register to 01B) if the default reference voltage is used), wait for the reference voltage setup time (5 ms (min.)), and then set the VLCON bit to 1.**

<R> **14.3.4 Subsystem clock supply mode control register (OSMC)**

OSMC is used to reduce power consumption by stopping as many unnecessary clock functions as possible.

If the RTCLPC bit is set to 1, power consumption can be reduced, because clock supply to the peripheral functions, except the real-time clock, 12-bit interval timer, clock output/buzzer output, and LCD controller/driver, is stopped in HALT mode while the subsystem clock is selected as the CPU clock. Set bit 7 (RTCEN) of peripheral enable register 0 (PER0) to 1 before specifying this setting.

In addition, the OSMC register can be used to select the operation clock of the real-time clock, 12-bit interval timer, and LCD controller/driver.

This register is set by using an 8-bit memory manipulation instruction.

Reset signal generation sets this register to 00H.

<R> **Figure 14-5. Format of Subsystem Clock Supply Mode Control Register (OSMC)**

Address: F00F3H After reset: 00H R/W

Symbol	7	6	5	4	3	2	1	0
OSMC	RTCLPC	0	0	WUTMMCK0	0	0	0	0

RTCLPC	Setting in HALT mode while subsystem clock is selected as CPU clock
0	Enables subsystem clock supply to peripheral functions. (See Table 19-1 for the peripheral functions whose operations are enabled.)
1	Stops subsystem clock supply to peripheral functions except real-time clock, 12-bit interval timer, and LCD controller/driver.

WUTMMCK0 ^{Note}	Selection of operation clock for real-time clock, 12-bit interval timer, and LCD driver/controller	Selection of clock output from PCLBUZn pin of clock output/buzzer output
0	Subsystem clock (f _{SUB})	Selecting the subsystem clock (f _{SUB}) is enabled.
1	Low-speed on-chip oscillator clock (f _L)	Selecting the subsystem clock (f _{SUB}) is disabled.

Note Be sure to select the subsystem clock (WUTMMCK0 bit = 0) if the subsystem clock is oscillating.

Cautions 1. The subsystem clock and low-speed on-chip oscillator clock can only be switched by using the WUTMMCK0 bit if the real-time clock, 12-bit interval timer, and LCD driver/controller are all stopped. The setting must not be changed after the operation starts.

These are stopped as follows:

Real-time clock: Set the RTCE bit to 0.

12-bit interval timer: Set the RINTE bit to 0.

LCD driver/controller: Set the SCOC and VLCON bits to 0.

2. The 32-pin product does not have a subsystem clock. Therefore, be sure to select the low-speed on-chip oscillator clock (WUTMMCK0 = 1) when selecting a low-speed clock as the LCD source clock (f_{LCD}).

Remark RTCE: Bit 7 of real-time clock control register 0 (RTCC0)

RINTE: Bit 15 of interval timer control register (ITMC)

SCOC: Bit 6 of LCD mode register 1 (LCDM1)

VLCON: Bit 5 of LCD mode register 1 (LCDM1)

14.3.5 LCD clock control register 0 (LCDC0)

LCDC0 specifies the LCD source clock and LCD clock.

The frame frequency is determined according to the LCD clock and the number of time slices.

This register is set by using an 8-bit memory manipulation instruction.

Reset signal generation sets LCDC0 to 00H.

Figure 14-6. Format of LCD Clock Control Register 0 (LCDC0) (1/2)

Address: FFF42H After reset: 00H R/W

Symbol	7	6	5	4	3	2	1	0
LCDC0	0	0	LCDC05	LCDC04	LCDC03	LCDC02	LCDC01	LCDC00

(1/2)

LCDC05	LCDC04	LCDC03	LCDC02	LCDC01	LCDC00	LCD clock (LCDCL)
0	0	0	0	0	1	$f_{SUB}/2^2$ or $f_{IL}/2^2$ ^{Note}
0	0	0	0	1	0	$f_{SUB}/2^3$ or $f_{IL}/2^3$ ^{Note}
0	0	0	0	1	1	$f_{SUB}/2^4$ or $f_{IL}/2^4$ ^{Note}
0	0	0	1	0	0	$f_{SUB}/2^5$ or $f_{IL}/2^5$ ^{Note}
0	0	0	1	0	1	$f_{SUB}/2^6$ or $f_{IL}/2^6$ ^{Note}
0	0	0	1	1	0	$f_{SUB}/2^7$ or $f_{IL}/2^7$ ^{Note}
0	0	0	1	1	1	$f_{SUB}/2^8$ or $f_{IL}/2^8$ ^{Note}
0	0	1	0	0	0	$f_{SUB}/2^9$ or $f_{IL}/2^9$ ^{Note}
0	0	1	0	0	1	$f_{SUB}/2^{10}$

Cautions 1. Be sure to set bits 6 and 7 to “0”.

- 2. Set the frame frequency in a range from 32 Hz to 128 Hz (24 Hz to 128 Hz when f_{IL} is selected). And set the LCD clock (LCDCL) to no more than 512 Hz (no more than 235 Hz when f_{IL} is selected) when the internal voltage boosting method, and the capacitor split method have been specified.**
- 3. Do not set LCDC0 when the SCOC bit of the LCDM1 register is 1.**

(Remark is listed on the next page.)

Figure 14-6. Format of LCD Clock Control Register 0 (LCDC0) (2/2)

Address: FFF42H After reset: 00H R/W

Symbol	7	6	5	4	3	2	1	0
LCDC0	0	0	LCDC05	LCDC04	LCDC03	LCDC02	LCDC01	LCDC00

(2/2)

LCDC05	LCDC04	LCDC03	LCDC02	LCDC01	LCDC00	LCD clock (LCDCL)
0	1	0	0	0	1	$f_{MAIN}/2^8$
0	1	0	0	1	0	$f_{MAIN}/2^9$
0	1	0	0	1	1	$f_{MAIN}/2^{10}$
0	1	0	1	0	0	$f_{MAIN}/2^{11}$
0	1	0	1	0	1	$f_{MAIN}/2^{12}$
0	1	0	1	1	0	$f_{MAIN}/2^{13}$
0	1	0	1	1	1	$f_{MAIN}/2^{14}$
0	1	1	0	0	0	$f_{MAIN}/2^{15}$
0	1	1	0	0	1	$f_{MAIN}/2^{16}$
0	1	1	0	1	0	$f_{MAIN}/2^{17}$
0	1	1	0	1	1	$f_{MAIN}/2^{18}$
1	0	1	0	1	1	$f_{MAIN}/2^{19}$
Other than above						Setting prohibited

- <R> **Cautions** 1. Do not set LCDC0 when the SCOC bit of the LCDM1 register is 1.
2. Be sure to set bits 6 and 7 to "0".
- <R> 3. When the internal voltage boosting method and the capacitor split method are specified, set the LCD clock (LCDCL) as follows. For details, see Table 14-4 Combinations of Display Waveform, Time Slices, and Bias Method and Frame Frequency
- If f_{SUB} is selected, set the clock to a frequency no greater than 512 Hz.
 - If f_{IL} is selected, set the clock to a frequency no greater than 235 Hz.

Remark f_{MAIN} : Main system clock frequency
 f_{SUB} : Subsystem clock frequency
 f_{IL} : Low-speed on-chip oscillator clock frequency

14.3.6 LCD boost level control register (VLCD)

VLCD selects the reference voltage that is to be generated when operating the voltage boost circuit (contrast adjustment). The reference voltage can be selected from 16 steps.

This register is set by using an 8-bit memory manipulation instruction.

Reset signal generation sets VLCD to 04H.

Figure 14-7. Format of LCD Boost Level Control Register (VLCD)

Address: FFF43H After reset: 04H R/W

Symbol	7	6	5	4	3	2	1	0
VLCD	0	0	0	VLCD4	VLCD3	VLCD2	VLCD1	VLCD0

VLCD4	VLCD3	VLCD2	VLCD1	VLCD0	Reference voltage selection (contrast adjustment)	VL _L voltage	
						1/3 bias method	1/4 bias method
0	0	1	0	0	1.00 V (default)	3.00 V	4.00 V
0	0	1	0	1	1.05 V	3.15 V	4.20 V
0	0	1	1	0	1.10 V	3.30 V	4.40 V
0	0	1	1	1	1.15 V	3.45 V	4.60 V
0	1	0	0	0	1.20 V	3.60 V	4.80 V
0	1	0	0	1	1.25 V	3.75 V	5.00 V
0	1	0	1	0	1.30 V	3.90 V	5.20 V
0	1	0	1	1	1.35 V	4.05 V	Setting prohibited
0	1	1	0	0	1.40 V	4.20 V	Setting prohibited
0	1	1	0	1	1.45 V	4.35 V	Setting prohibited
0	1	1	1	0	1.50 V	4.50 V	Setting prohibited
0	1	1	1	1	1.55 V	4.65 V	Setting prohibited
1	0	0	0	0	1.60 V	4.80 V	Setting prohibited
1	0	0	0	1	1.65 V	4.95 V	Setting prohibited
1	0	0	1	0	1.70 V	5.10 V	Setting prohibited
1	0	0	1	1	1.75 V	5.25 V	Setting prohibited
Other than above					Setting prohibited		

- Cautions**
1. The VLCD setting is valid only when the voltage boost circuit is operating.
 2. Be sure to set bits 5 to 7 to "0".
 3. Be sure to change the VLCD value after having stopped the operation of the voltage boost circuit (VLCON = 0).
 4. To use the internal voltage boosting method, specify the reference voltage by using the VLCD register (select the internal boosting method (by setting the MDSET1 and MDSET0 bits of the LCDM0 register to 01B) if the default reference voltage is used), wait for the reference voltage setup time (5 ms (min.)), and then set VLCON to 1.
 5. With the external resistance division method and the capacitor split method, use the default value (04H) for the VLCD resistor.

14.3.7 LCD input switch control register (ISCLCD)

Input to the schmitt trigger buffer must be invalid until the CAPL/P126, CAPH/P127, and VL3/P125 pins are set to operate as LCD function pins in order to prevent through-current from entering.

This register is set by using a 1-bit or 8-bit memory manipulation instruction.

Reset signal generation sets ISCLCD to 00H.

Figure 14-8. Format of LCD Input Switch Control Register (ISCLCD)

Address: F0308H After reset: 00H R/W

Symbol	7	6	5	4	3	2	1	0
ISCLCD	0	0	0	0	0	0	ISCVL3	ISCCAP

ISCVL3	VL3/P125 pin Schmitt trigger buffer control
0	Input invalid
1	Input valid

ISCCAP	CAPL/P126, CAPH/P127 pins Schmitt trigger buffer control
0	Input invalid
1	Input valid

Cautions 1. If ISCVL3 = 0, set the corresponding port registers as follows:

PU125 bit of PU12 register = 0, P125 bit of P12 register = 0

2. If ISCCAP = 0, set the corresponding port registers as follows:

PU127 bit of PU12 register = 0, P127 bit of P12 register = 0

PU126 bit of PU12 register = 0, P126 bit of P12 register = 0

(a) Operation of ports that alternately function as VL3, CAPL, and CAPH pins

The functions of the VL3/P125, CAPL/P126, and CAPH/P127 pins can be selected by using the LCD input switch control register (ISCLCD), LCD mode register 0 (LCDM0), and port mode register 12 (PM12).

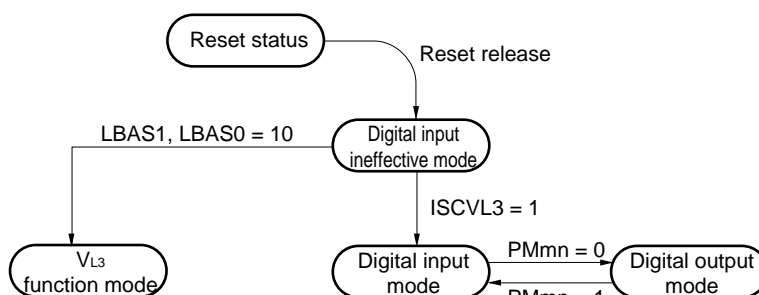
- VL3/P125

Table 14-5. Settings of VL3/P125 Pin Function

Bias Setting (LBAS1 and LBAS0 Bits of LCDM0 Register)	ISCVL3 Bit of ISCLCD Register	PM125 Bit of PM12 Register	Pin Function	Initial Status
Other than 1/4 bias method (LBAS1, LBAS0 = 00 or 01)	0	1	Digital input ineffective mode	√
	1	0	Digital output mode	–
	1	1	Digital input mode	–
1/4 bias method (LBAS1, LBAS0 = 10)	0	1	VL3 function mode	–
Other than above			Setting prohibited	

The following shows the VL3/P125 pin function status transitions.

Figure 14-9. VL3/P125 Pin Function Status Transitions



Caution Be sure to set the VL3 function mode before segment output starts (while SCOC bit of LCD mode register 1 (LCDM1) is 0).

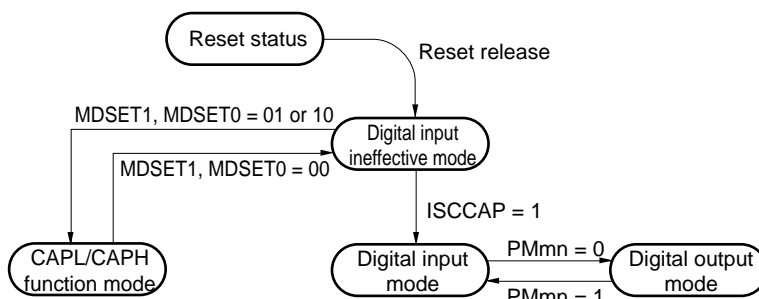
- CAPL/P126 and CAPH/P127

Table 14-6. Settings of CAPL/P126 and CAPH/P127 Pin Functions

LCD Drive Voltage Generator (MDSET1 and MDSET0 Bits of LCDM0 Register)	ISCCAP Bit of ISCLCD Register	PM126 and PM127 Bits of PM12 Register	Pin Function	Initial Status
External resistance division (MDSET1, MDSET0 = 00)	0	1	Digital input ineffective mode	√
	1	0	Digital output mode	–
	1	1	Digital input mode	–
Internal voltage boosting or capacitor split (MDSET1, MDSET0 = 01 or 10)	0	1	CAPL/CAPH function mode	–
Other than above			Setting prohibited	

The following shows the CAPL/P126 and CAPH/P127 pin function status transitions.

Figure 14-10. CAPL/P126 and CAPH/P127 Pin Function Status Transitions



Caution Be sure to set the CAPL/CAPH function mode before segment output starts (while SCOC bit of LCD mode register 1 (LCDM1) is 0).

14.3.8 LCD port function registers 0 to 4 (PFSEG0 to PFSEG4)

These registers specify whether to use pins P10 to P17, P30 to P32, P41 to P43, P50 to P54, P60, P61, P70 to P74, P120, and P140 to P147 as port pins (other than segment output pins) or segment output pins.

These registers are set by using a 1-bit or 8-bit memory manipulation instruction.

Reset signal generation sets these registers to FFH.

Remark The correspondence between the segment output pins (SEGxx) and the PFSEG register (PFSEGxx bits) and the existence of SEGxx pins in each product are shown in Table 14-7 Segment Output Pins in Each Product and Correspondence with PFSEG Register (PFSEG Bits).

Figure 14-11. Format of LCD Port Function Registers 0 to 4 (64-pin Products)

Address: F0300H After reset: F0H R/W

Symbol	7	6	5	4	3	2	1	0
PFSEG0	PFSEG07	PFSEG06	PFSEG05	PFSEG04	0	0	0	0

Address: F0301H After reset: FFH R/W

Symbol	7	6	5	4	3	2	1	0
PFSEG1	PFSEG15	PFSEG14	PFSEG13	PFSEG12	PFSEG11	PFSEG10	PFSEG09	PFSEG08

Address: F0302H After reset: FFH R/W

Symbol	7	6	5	4	3	2	1	0
PFSEG2	PFSEG23	PFSEG22	PFSEG21	PFSEG20	PFSEG19	PFSEG18	PFSEG17	PFSEG16

Address: F0303H After reset: FFH R/W

Symbol	7	6	5	4	3	2	1	0
PFSEG3	PFSEG31	PFSEG30	PFSEG29	PFSEG28	PFSEG27	PFSEG26	PFSEG25	PFSEG24

Address: F0304H After reset: 7FH R/W

Symbol	7	6	5	4	3	2	1	0
PFSEG4	0	PFSEG38	PFSEG37	PFSEG36	PFSEG35	PFSEG34	PFSEG33	PFSEG32

PFSEGxx (xx = 04 to 46)	Port (other than segment output)/segment outputs specification of Pmn pins (mn = 10 to 17, 30 to 32, 41 to 43, 50 to 54, 60, 61, 70 to 74, 120, 140 to 147)
0	Used as port (other than segment output)
1	Used as segment output

Caution To use the Pmn pins as segment output pins (PFSEGxx = 1), be sure to set the PUm_n bit of the PUm register, POM_n bit of the POM register, and PIM_n bit of the PIM register to “0”.

Table 14-7. Segment Output Pins in Each Product and Correspondence with PFSEG Register (PFSEG Bits)

Bit Name of PFSEG Register	Corresponding SEGxx Pins	Alternate Port	64-pin	52-pin	48-pin	44-pin	32-pin
PFSEG04	SEG4	P15	√	√	√	√	√
PFSEG05	SEG5	P16	√	√	√	√	√
PFSEG06	SEG6	P17	√	√	√	√	√
PFSEG07	SEG7	P50	√	√	√	–	–
PFSEG08	SEG8	P51	√	√	–	–	–
PFSEG09	SEG9	P52	√	–	–	–	–
PFSEG10	SEG10	P53	√	–	–	–	–
PFSEG11	SEG11	P54	√	–	–	–	–
PFSEG12	SEG12	P74	√	–	–	–	–
PFSEG13	SEG13	P73	√	–	–	–	–
PFSEG14	SEG14	P72	√	–	–	–	–
PFSEG15	SEG15	P71	√	√	–	–	–
PFSEG16	SEG16	P70	√	√	√	–	–
PFSEG17	SEG17	P32	√	√	√	√	–
PFSEG18	SEG18	P31	√	√	√	√	–
PFSEG19	SEG19	P30	√	√	√	√	√
PFSEG20	SEG20	P61	√	√	√	√	√
PFSEG21	SEG21	P60	√	√	√	√	√
PFSEG22	SEG22	P43	√	–	–	–	–
PFSEG23	SEG23	P42	√	√	–	–	–
PFSEG24	SEG24	P41	√	√	√	–	–
PFSEG25	SEG25	P120	√	√	√	√	–
PFSEG26	SEG26	P141	√	√	√	√	–
PFSEG27	SEG27	P140	√	√	√	√	√
PFSEG28	SEG28	P10	√	√	√	√	√
PFSEG29	SEG29	P11	√	√	√	√	√
PFSEG30	SEG30	P12	√	√	√	√	√
PFSEG31	SEG31	P13	√	√	√	√	√
PFSEG32	SEG32	P14	√	√	√	√	√
PFSEG33	SEG33	P142	√	√	√	√	–
PFSEG34	SEG34	P143	√	√	√	√	–
PFSEG35	SEG35	P144	√	√	√	–	–
PFSEG36	SEG36	P145	√	√	–	–	–
PFSEG37	SEG37	P146	√	–	–	–	–
PFSEG38	SEG38	P147	√	–	–	–	–

(a) Operation of ports that alternately function as SEGxx pins

The functions of ports that also serve as segment output pins (SEGxx) can be selected by using the port mode control register (PMCxx), port mode register (PMxx), and LCD port function registers 0 to 4 (PFSEG0 to PFSEG4).

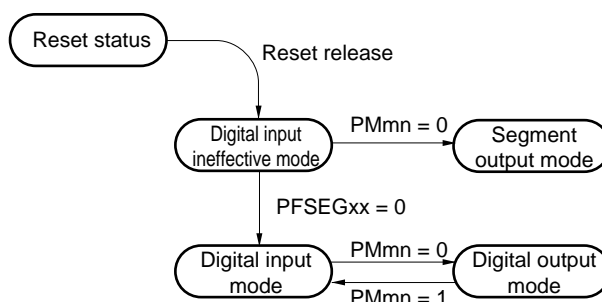
- **P10 to P12, P15 to P17, P30 to P32, P42, P43, P50 to P54, P60, P61, P70 to P74, P140, P141**
(ports that do not serve as analog input pins (ANlxx))

Table 14-8. Settings of SEGxx/Port Pin Function

PFSEGxx Bit of PFSEG0 to PFSEG4 Registers	PMxx Bit of PMxx Register	Pin Function	Initial Status
1	1	Digital input ineffective mode	√
0	0	Digital output mode	–
0	1	Digital input mode	–
1	0	Segment output mode	–

The following shows the SEGxx/port pin function status transitions.

Figure 14-12. SEGxx/Port Pin Function Status Transitions



Caution Be sure to set the segment output mode before segment output starts (while SCOC bit of LCD mode register 1 (LCDM1) is 0).

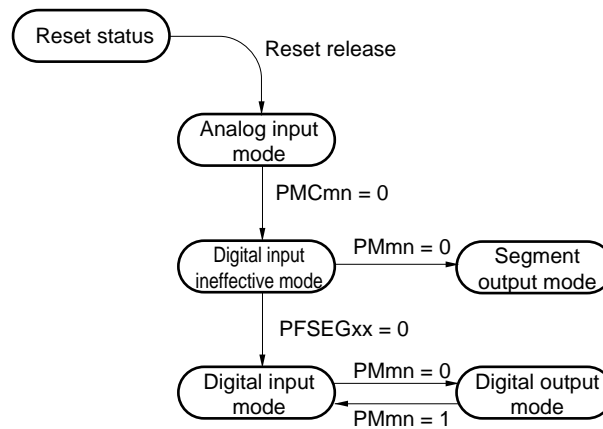
- P13, P14, P41, P120, P142 to P147 (ports that serve as analog input pins (ANlxx))

Table 14-9. Settings of ANlxx/SEGxx/Port Pin Function

PMCxx Bit of PMCxx Register	PFSEGxx Bit PFSEG0 to PFSEG4 Registers	PMxx Bit of PMxx Register	Pin Function	Initial Status
1	1	1	Analog input mode	√
0	0	0	Digital output mode	–
0	0	1	Digital input mode	–
0	1	0	Segment output mode	–
0	1	1	Digital input ineffective mode	–
Other than above			Setting prohibited	

The following shows the ANlxx/SEGxx/port pin function status transitions.

Figure 14-13. ANlxx/SEGxx/Port Pin Function Status Transitions



Caution Be sure to set the segment output mode before segment output starts (while SCOC bit of LCD mode register 1 (LCDM1) is 0).

14.3.9 Port mode registers 1, 3 to 7, 12, 14 (PM1, PM3 to PM7, PM12, PM14)

These registers specify input/output of ports 1, 3 to 7, 12, and 14 in 1-bit units.

When using the ports (such as P10/ $\overline{\text{SCK00}}$ /SEG28, P120/ANI17/SEG25) to be shared with the segment output pin for segment output, set the port mode register (PMxx) bit and port register (Pxx) bit corresponding to each port to 0.

Example: When using P10/ $\overline{\text{SCK00}}$ /SEG28 for segment output
 Set the PM10 bit of port mode register 1 to "0".
 Set the P10 bit of port register 1 to "0".

These registers are set by using a 1-bit or 8-bit memory manipulation instruction.
 Reset signal generation sets these registers to FFH.

Figure 14-14. Format of Port Mode Registers 1, 3 to 7, 12, 14 (PM1, PM3 to PM7, PM12, PM14) (64-pin Products)

Symbol	7	6	5	4	3	2	1	0	Address	After reset	R/W
PM1	PM17	PM16	PM15	PM14	PM13	PM12	PM11	PM10	FFF21H	FFH	R/W
PM3	1	1	1	1	1	PM32	PM31	PM30	FFF23H	FFH	R/W
PM4	1	1	1	1	PM43	PM42	PM41	PM40	FFF24H	FFH	R/W
PM5	1	1	1	PM54	PM53	PM52	PM51	PM50	FFF25H	FFH	R/W
PM6	1	1	1	1	1	1	PM61	PM60	FFF26H	FFH	R/W
PM7	1	1	1	PM74	PM73	PM72	PM71	PM70	FFF27H	FFH	R/W
PM12	PM127	PM126	PM125	1	1	1	1	PM120	FFF2CH	FFH	R/W
PM14	PM147	PM146	PM145	PM144	PM143	PM142	PM141	PM140	FFF2EH	FFH	R/W
PMmn	Pmn pin I/O mode selection (m = 1, 3 to 7, 12, 14; n = 0 to 7)										
0	Output mode (output buffer on)										
1	Input mode (output buffer off)										

Remark The figure shown above presents the format of port mode registers 1, 3 to 7, 12, and 14 of the 64-pin products. The format of the port mode register of other products, see **Table 4-3 PMxx, Pxx, PUxx, PIMxx, POMxx, PMCxx registers and the bits mounted on each product.**

14.4 LCD Display Data Registers

The LCD display data registers are mapped as shown in Table 14-10. The contents displayed on the LCD can be changed by changing the contents of the LCD display data registers.

Table 14-10. Relationship Between LCD Display Data Register Contents and Segment/Common Outputs (1/2)

(a) Other than 8-time-slice (static, 2-time slice, 3-time slice, and 4-time slice)

Register Name	Address	Bit 7	Bit 6	Bit 5	Bit 4	Bit 3	Bit 2	Bit 1	Bit 0	64-pin	52-pin	48-pin	44-pin	32-pin
		COM 7	COM 6	COM 5	COM 4	COM 3	COM 2	COM 1	COM 0					
SEG0	F0400H	SEG0 (B-pattern area)				SEG0 (A-pattern area)				√	√	√	√	√
SEG1	F0401H	SEG1 (B-pattern area)				SEG1 (A-pattern area)				√	√	√	√	–
SEG2	F0402H	SEG2 (B-pattern area)				SEG2 (A-pattern area)				√	√	√	√	–
SEG3	F0403H	SEG3 (B-pattern area)				SEG3 (A-pattern area)				√	√	√	√	–
SEG4	F0404H	SEG4 (B-pattern area)				SEG4 (A-pattern area)				√	√	√	√	√
SEG5	F0405H	SEG5 (B-pattern area)				SEG5 (A-pattern area)				√	√	√	√	√
SEG6	F0406H	SEG6 (B-pattern area)				SEG6 (A-pattern area)				√	√	√	√	√
SEG7	F0407H	SEG7 (B-pattern area)				SEG7 (A-pattern area)				√	√	√	–	–
SEG8	F0408H	SEG8 (B-pattern area)				SEG8 (A-pattern area)				√	√	–	–	–
SEG9	F0409H	SEG9 (B-pattern area)				SEG9 (A-pattern area)				√	–	–	–	–
SEG10	F040AH	SEG10 (B-pattern area)				SEG10 (A-pattern area)				√	–	–	–	–
SEG11	F040BH	SEG11 (B-pattern area)				SEG11 (A-pattern area)				√	–	–	–	–
SEG12	F040CH	SEG12 (B-pattern area)				SEG12 (A-pattern area)				√	–	–	–	–
SEG13	F040DH	SEG13 (B-pattern area)				SEG13 (A-pattern area)				√	–	–	–	–
SEG14	F040EH	SEG14 (B-pattern area)				SEG14 (A-pattern area)				√	–	–	–	–
SEG15	F040FH	SEG15 (B-pattern area)				SEG15 (A-pattern area)				√	√	–	–	–
SEG16	F0410H	SEG16 (B-pattern area)				SEG16 (A-pattern area)				√	√	√	–	–
SEG17	F0411H	SEG17 (B-pattern area)				SEG17 (A-pattern area)				√	√	√	√	–
SEG18	F0412H	SEG18 (B-pattern area)				SEG18 (A-pattern area)				√	√	√	√	–
SEG19	F0413H	SEG19 (B-pattern area)				SEG19 (A-pattern area)				√	√	√	√	√
SEG20	F0414H	SEG20 (B-pattern area)				SEG20 (A-pattern area)				√	√	√	√	√
SEG21	F0415H	SEG21 (B-pattern area)				SEG21 (A-pattern area)				√	√	√	√	√
SEG22	F0416H	SEG22 (B-pattern area)				SEG22 (A-pattern area)				√	–	–	–	–
SEG23	F0417H	SEG23 (B-pattern area)				SEG23 (A-pattern area)				√	√	–	–	–
SEG24	F0418H	SEG24 (B-pattern area)				SEG24 (A-pattern area)				√	√	√	–	–
SEG25	F0419H	SEG25 (B-pattern area)				SEG25 (A-pattern area)				√	√	√	–	–
SEG26	F041AH	SEG26 (B-pattern area)				SEG26 (A-pattern area)				√	√	√	√	–
SEG27	F041BH	SEG27 (B-pattern area)				SEG27 (A-pattern area)				√	√	√	√	√
SEG28	F041CH	SEG28 (B-pattern area)				SEG28 (A-pattern area)				√	√	√	√	√
SEG29	F041DH	SEG29 (B-pattern area)				SEG29 (A-pattern area)				√	√	√	√	√
SEG30	F041EH	SEG30 (B-pattern area)				SEG30 (A-pattern area)				√	√	√	√	√
SEG31	F041FH	SEG31 (B-pattern area)				SEG31 (A-pattern area)				√	√	√	√	√
SEG32	F0420H	SEG32 (B-pattern area)				SEG32 (A-pattern area)				√	√	√	√	√
SEG33	F0421H	SEG33 (B-pattern area)				SEG33 (A-pattern area)				√	√	√	√	–
SEG34	F0422H	SEG34 (B-pattern area)				SEG34 (A-pattern area)				√	√	√	√	–
SEG35	F0423H	SEG35 (B-pattern area)				SEG35 (A-pattern area)				√	√	√	–	–
SEG36	F0424H	SEG36 (B-pattern area)				SEG36 (A-pattern area)				√	√	–	–	–
SEG37	F0425H	SEG37 (B-pattern area)				SEG37 (A-pattern area)				√	–	–	–	–
SEG38	F0426H	SEG38 (B-pattern area)				SEG38 (A-pattern area)				√	–	–	–	–

Remark √: Supported, –: Not supported

Table 14-10. Relationship Between LCD Display Data Register Contents and Segment/Common Outputs (2/2)

(b) 8-time slice

Register Name	Address	Bit 7	Bit 6	Bit 5	Bit 4	Bit 3	Bit 2	Bit 1	Bit 0	64-pin	52-pin	48-pin	44-pin	32-pin
		COM 7	COM 6	COM 5	COM 4	COM 3	COM 2	COM 1	COM 0					
SEG0	F0400H	SEG0 ^{Note}								√	√	√	√	√
SEG1	F0401H	SEG1 ^{Note}								√	√	√	√	–
SEG2	F0402H	SEG2 ^{Note}								√	√	√	√	–
SEG3	F0403H	SEG3 ^{Note}								√	√	√	√	–
SEG4	F0404H	SEG4								√	√	√	√	√
SEG5	F0405H	SEG5								√	√	√	√	√
SEG6	F0406H	SEG6								√	√	√	√	√
SEG7	F0407H	SEG7								√	√	√	–	–
SEG8	F0408H	SEG8								√	√	–	–	–
SEG9	F0409H	SEG9								√	–	–	–	–
SEG10	F040AH	SEG10								√	–	–	–	–
SEG11	F040BH	SEG11								√	–	–	–	–
SEG12	F040CH	SEG12								√	–	–	–	–
SEG13	F040DH	SEG13								√	–	–	–	–
SEG14	F040EH	SEG14								√	–	–	–	–
SEG15	F040FH	SEG15								√	√	–	–	–
SEG16	F0410H	SEG16								√	√	√	–	–
SEG17	F0411H	SEG17								√	√	√	√	–
SEG18	F0412H	SEG18								√	√	√	√	–
SEG19	F0413H	SEG19								√	√	√	√	√
SEG20	F0414H	SEG20								√	√	√	√	√
SEG21	F0415H	SEG21								√	√	√	√	√
SEG22	F0416H	SEG22								√	–	–	–	–
SEG23	F0417H	SEG23								√	√	–	–	–
SEG24	F0418H	SEG24								√	√	√	–	–
SEG25	F0419H	SEG25								√	√	√	–	–
SEG26	F041AH	SEG26								√	√	√	√	–
SEG27	F041BH	SEG27								√	√	√	√	√
SEG28	F041CH	SEG28								√	√	√	√	√
SEG29	F041DH	SEG29								√	√	√	√	√
SEG30	F041EH	SEG30								√	√	√	√	√
SEG31	F041FH	SEG31								√	√	√	√	√
SEG32	F0420H	SEG32								√	√	√	√	√
SEG33	F0421H	SEG33								√	√	√	√	–
SEG34	F0422H	SEG34								√	√	√	√	–
SEG35	F0423H	SEG35								√	√	√	–	–
SEG36	F0424H	SEG36								√	√	–	–	–
SEG37	F0425H	SEG37								√	–	–	–	–
SEG38	F0426H	SEG38								√	–	–	–	–

Note The COM4 to COM7 pins and SEG0 to SEG3 pins are used alternatively.

Remark √: Supported, –: Not supported

To use the LCD display data register when the number of time slices is static, two, three, or four, the lower four bits and higher four bits of each address of the LCD display data register become an A-pattern area and a B-pattern area, respectively.

The correspondences between A-pattern area data and COM signals are as follows: bit 0 ⇔ COM0, bit 1 ⇔ COM1, bit 2 ⇔ COM2, and bit 3 ⇔ COM3.

The correspondences between B-pattern area data and COM signals are as follows: bit 4 ⇔ COM0, bit 5 ⇔ COM1, bit 6 ⇔ COM2, and bit 7 ⇔ COM3.

A-pattern area data will be displayed on the LCD panel when BLON = LCDSEL = 0 has been selected, and B-pattern area data will be displayed on the LCD panel when BLON = 0 and LCDSEL = 1 have been selected.

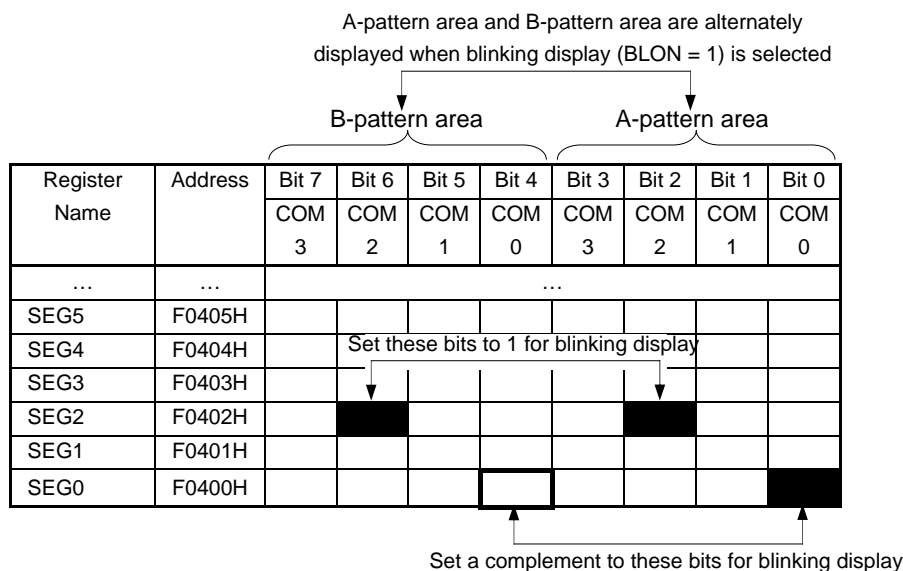
14.5 Selection of LCD Display Register

With RL78/L12, to use the LCD display data registers when the number of time slices is static, two, three, or four, the LCD display data register can be selected from the following three types, according to the BLON and LCDSEL bit settings.

- Displaying an A-pattern area data (lower four bits of LCD display data register)
- Displaying a B-pattern area data (higher four bits of LCD display data register)
- Alternately displaying A-pattern and B-pattern area data (blinking display corresponding to the constant-period interrupt timing of the real-time clock (RTC))

Caution If the normal liquid crystal waveform is displayed when the number of time slices is eight, LCD display data registers (A-pattern, B-pattern, or blinking display) cannot be selected.

Figure 14-15. Example of Setting LCD Display Registers When Pattern Is Changed



14.5.1 A-pattern area and B-pattern area data display

When BLON = LCDSEL = 0, A-pattern area (lower four bits of the LCD display data register) data will be output as the LCD display register.

When BLON = 0, and LCDSEL = 1, B-pattern area (higher four bits of the LCD display data register) data will be output as the LCD display register.

See **14.4 LCD Display Data Registers** about the display area.

14.5.2 Blinking display (Alternately displaying A-pattern and B-pattern area data)

When BLON = 1 has been set, A-pattern and B-pattern area data will be alternately displayed, according to the constant-period interrupt (INTRTC) timing of the real-time clock (RTC). See **CHAPTER 7 REAL-TIME CLOCK** about the setting of the RTC constant-period interrupt (INTRTC, 0.5 s setting only) timing.

For blinking display of the LCD, set inverted values to the B-pattern area bits corresponding to the A-pattern area bits. (Example: Set 1 to bit 0 of 00H, and set 0 to bit 4 of F0400H for blinking display.) When not setting blinking display of the LCD, set the same values. (Example: Set 1 to bit 2 of F0402H, and set 1 to bit 6 of F0402H for lighting display.)

See **14.4 LCD Display Data Registers** about the display area.

Next, the timing operation of display switching is shown.

Figure 14-16. Switching Operation from A-Pattern Display to Blinking Display

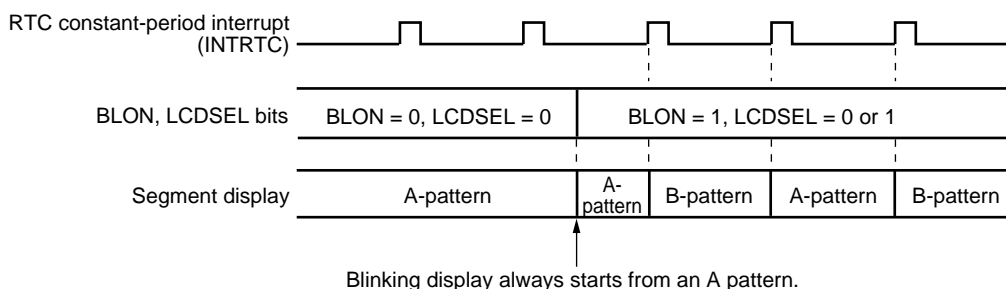
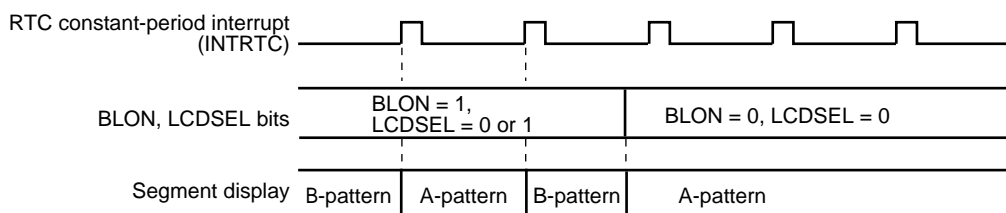


Figure 14-17. Switching Operation from Blinking Display to A-Pattern Display



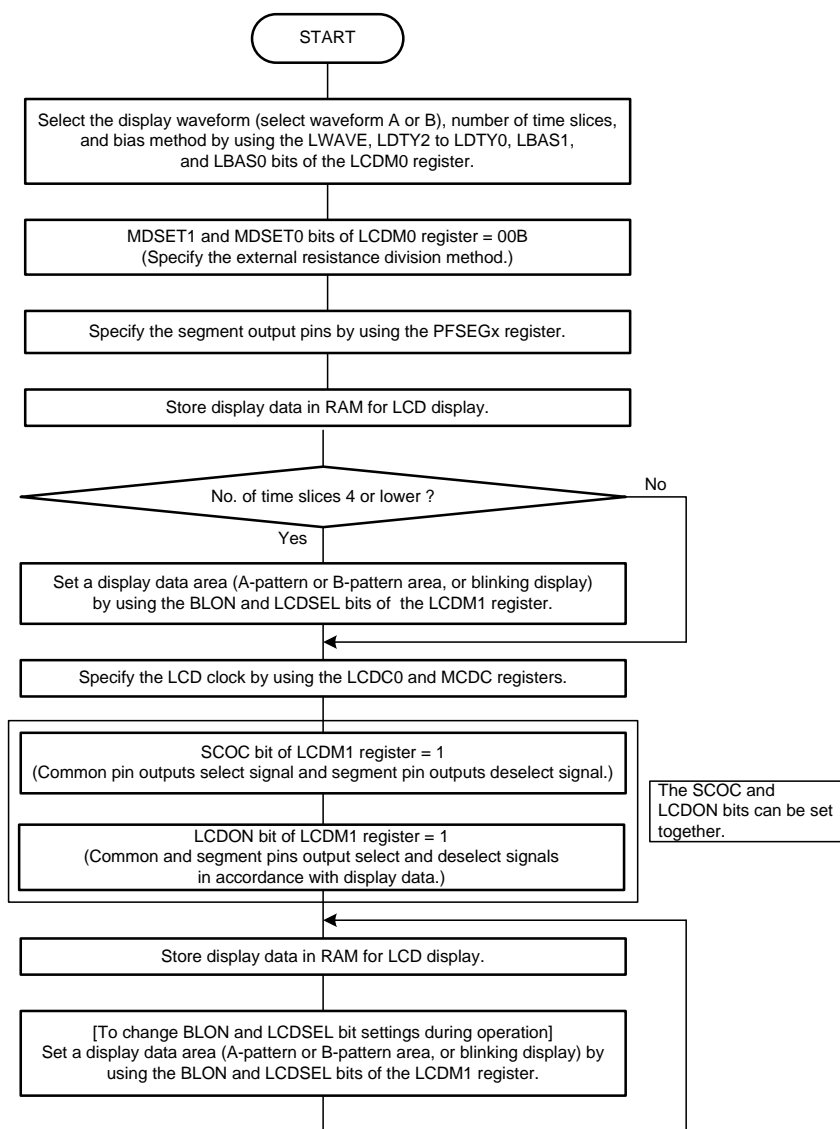
14.6 Setting the LCD Controller/Driver

Set the LCD controller/driver using the following procedure.

Caution To operate the LCD controller/driver, be sure to follow procedures (1) to (4). Unless these procedures are observed, the operation will not be guaranteed.

(1) External resistance division method during normal liquid crystal waveform display

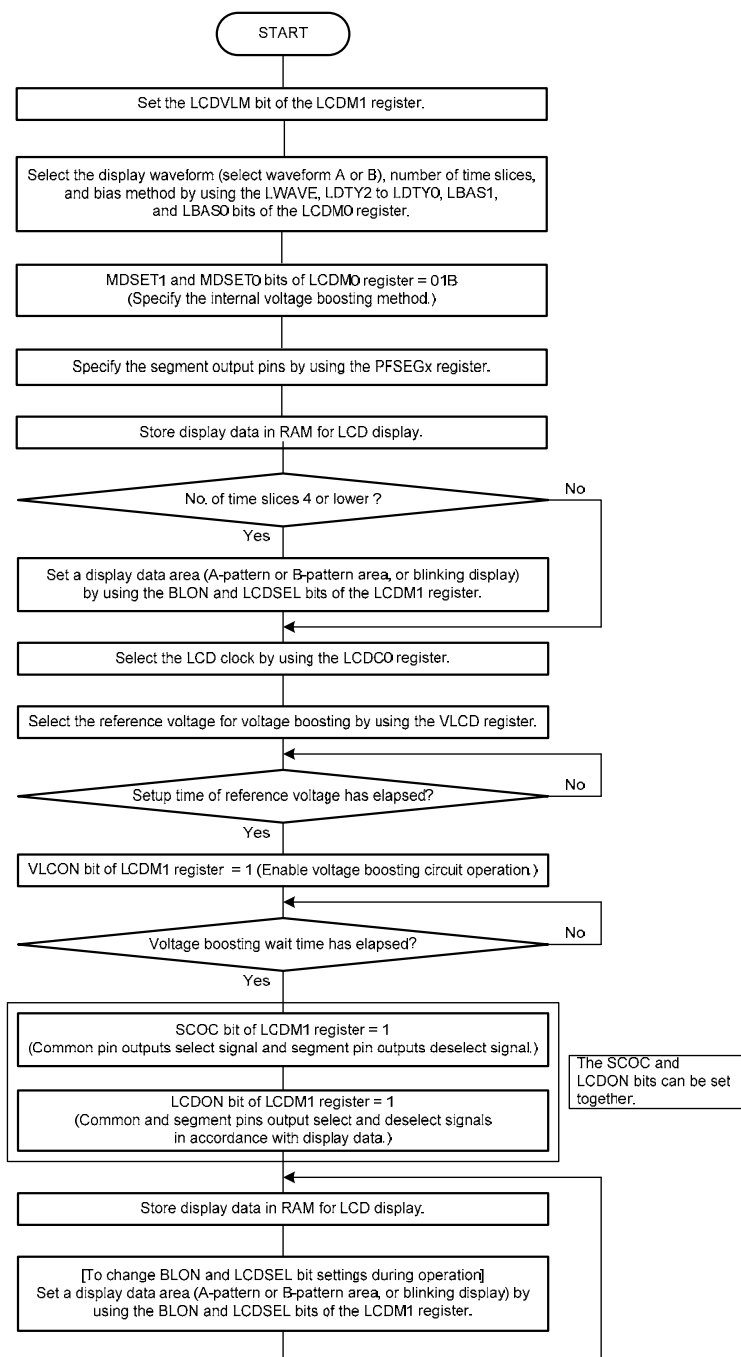
Figure 14-18. External Resistance Division Method Setting Procedure During Normal Liquid Crystal Waveform Display



(2) Internal voltage boosting method during normal liquid crystal waveform display

<R>

Figure 14-19. Internal Voltage Boosting Method Setting Procedure During Normal Liquid Crystal Waveform Display



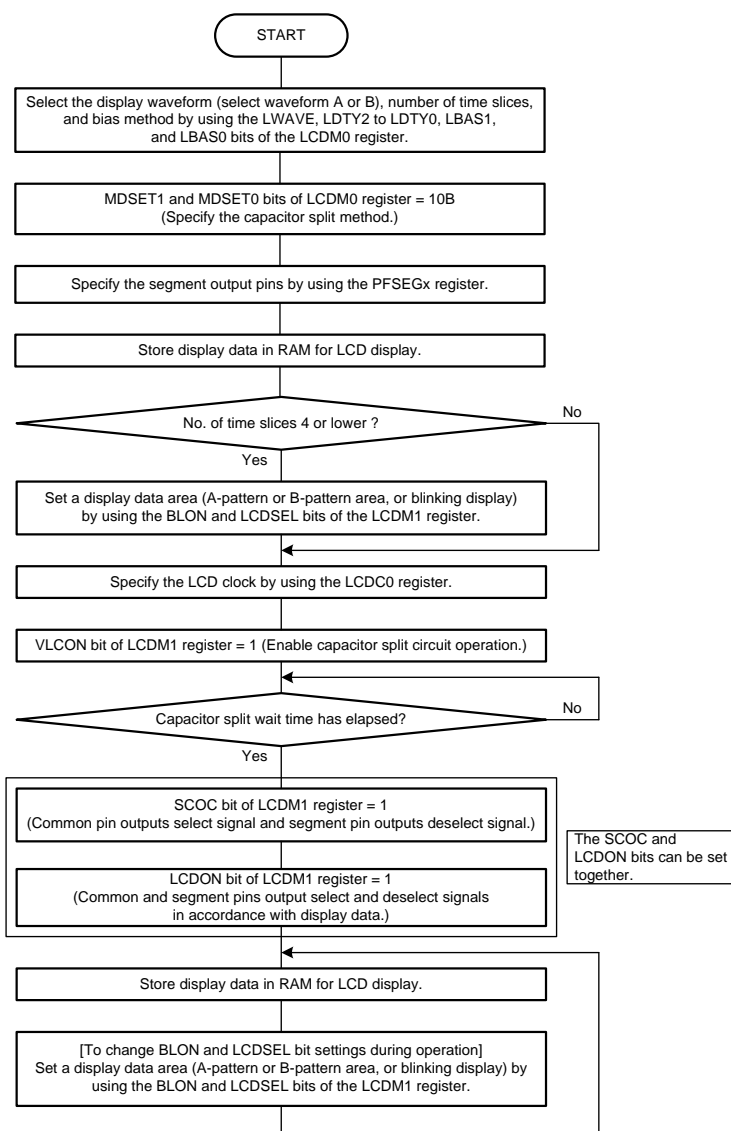
Cautions 1. Wait until the setup time has elapsed even if not changing the setting of the VLCD register.

2. For the specifications of the reference voltage setup time and voltage boosting wait time, see CHAPTER 30 or 31 ELECTRICAL SPECIFICATIONS.

<R>

(3) Capacitor split method during normal liquid crystal waveform display

<R> Figure 14-20. Capacitor Split Method Setting Procedure During Normal Liquid Crystal Waveform Display



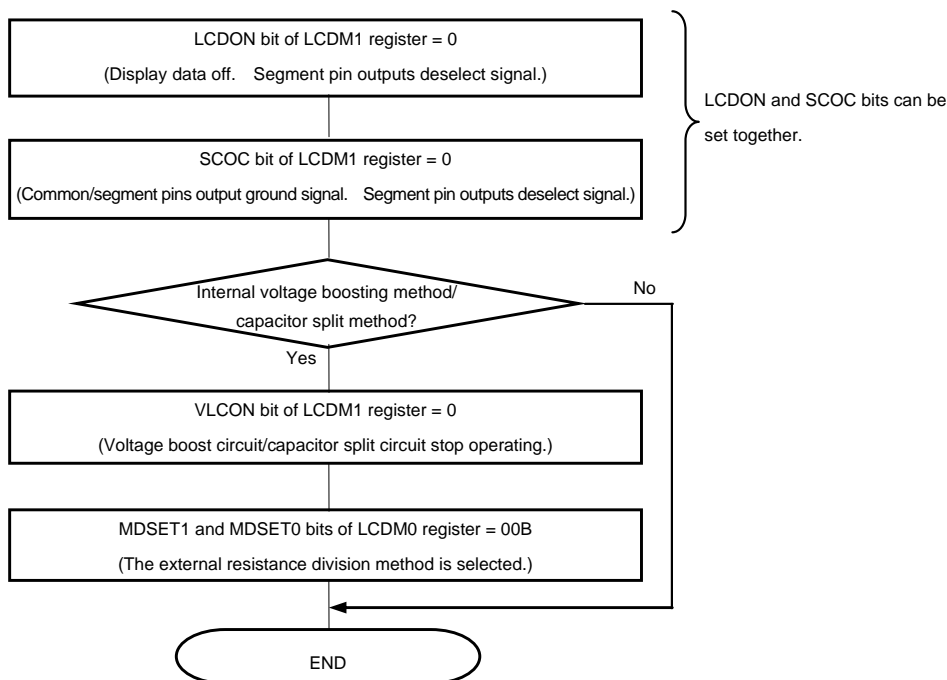
<R> **Caution** For the specifications of the voltage boosting wait time, see CHAPTER 30 or 31 ELECTRICAL SPECIFICATIONS.

14.7 Operation stop procedure

To stop the operation of the LCD while it is displaying waveforms, follow the steps shown in the flowchart below. The LCD stops operating when the LCDON bit of LCDM1 register and SCOC bit of the LCDM1 register are set to "0".

Figure 14-21. Operation Stop Procedure

(a) During normal liquid crystal waveform (waveform A or B) display



Caution Stopping the voltage boost/capacitor split circuits is prohibited while the display is on (SCOC and LCDON bits of LCDM1 register = 00B). Otherwise, the operation will not be guaranteed. Be sure to turn off display (SCOC and LCDON bits of LCDM1 register = 00B) before stopping the voltage boost/capacitor split circuits (VLCON bit of LCDM1 register = 0).

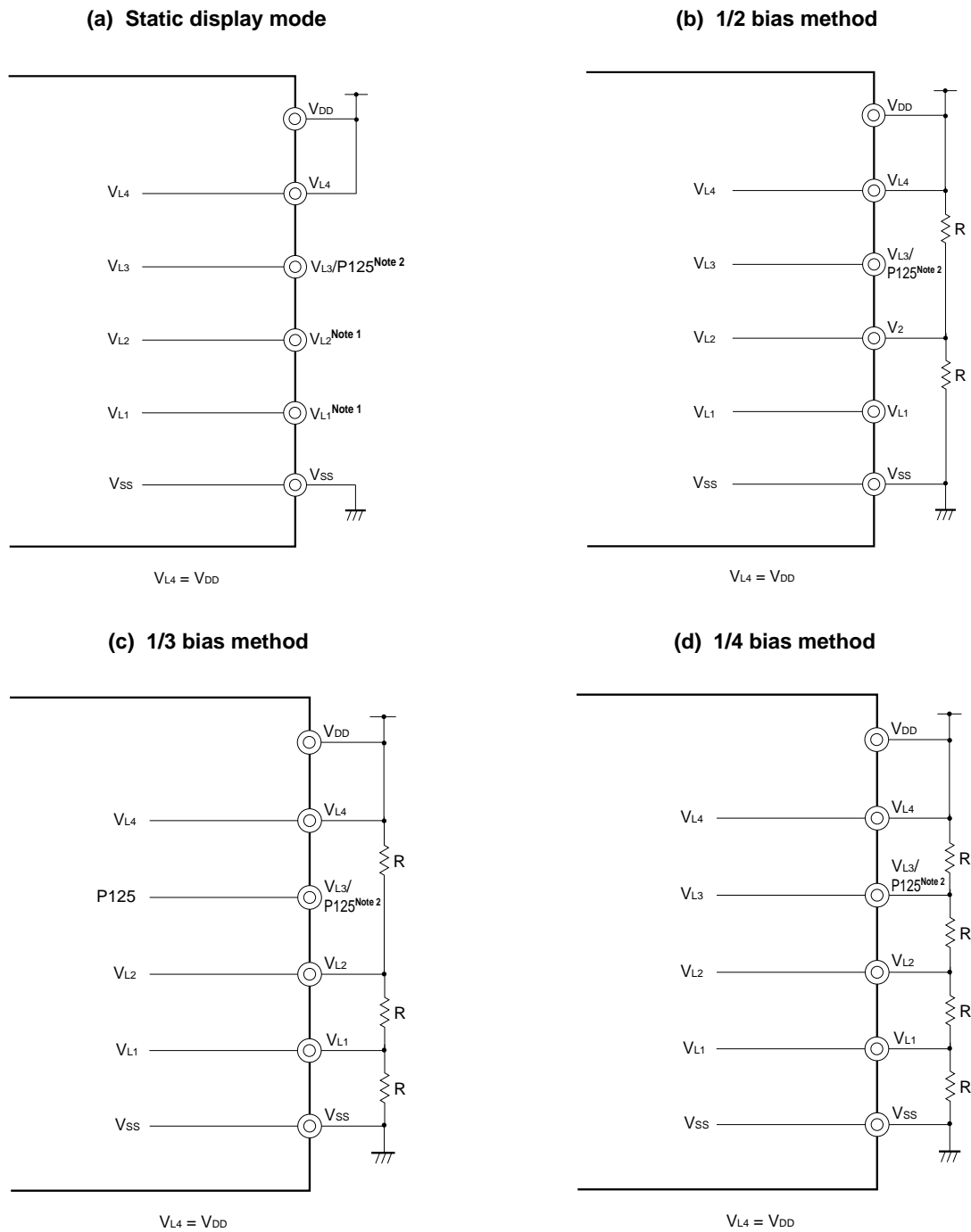
14.8 Supplying LCD Drive Voltages V_{L1} , V_{L2} , V_{L3} , and V_{L4}

The power supply voltages for the LCD driver can be produced through external resistance division, internal voltage boosting, or capacitor split.

14.8.1 External resistance division method

Figure 14-22 shows examples of LCD drive voltage connection, corresponding to each bias method.

Figure 14-22. Examples of LCD Drive Power Connections (External Resistance Division Method)



- Notes**
1. Connect V_{L1} and V_{L2} to GND or leave open.
 2. V_{L3} can be used as port (P125).

Caution The reference resistance “R” value for external resistance division is 10 kΩ to 1 MΩ. In addition, to stabilize the voltage of the VL1 to VL4 pins, connect a capacitor between each of pins VL1 to VL4 and the GND pin as needed. The reference capacitance is about 0.47 μF but it depends on the LCD panel used, the number of segment pins, the number of common pins, the frame frequency, and the operating environment. Thoroughly evaluate these values in accordance with your system and adjust and determine the capacitance.

14.8.2 Internal voltage boosting method

RL78/L12 contains an internal voltage boost circuit for generating LCD drive power supplies. The internal voltage boost circuit and external capacitors (0.47 μF±30%) are used to generate an LCD drive voltage. Only 1/3 bias mode or 1/4 bias mode can be set for the internal voltage boosting method.

The LCD drive voltage of the internal voltage boosting method can supply a constant voltage, regardless of changes in VDD, because it is a power supply separate from the main unit.

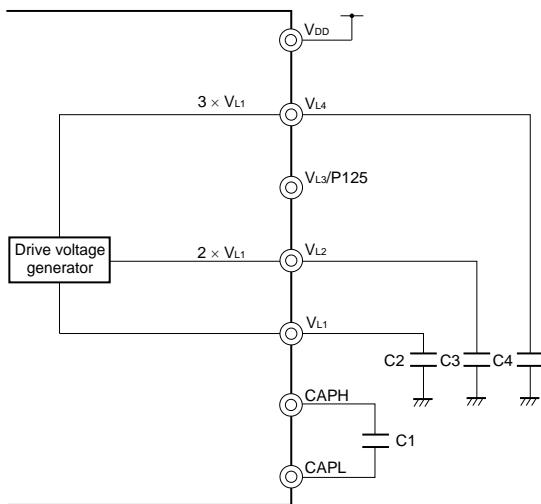
In addition, a contrast can be adjusted by using the LCD boost level control register (VLCD).

Table 14-11. LCD Drive Voltages (Internal Voltage Boosting Method)

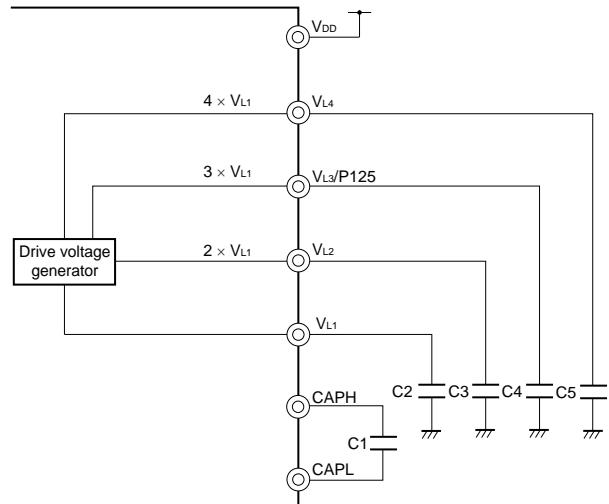
Bias Method	1/3 Bias Method	1/4 Bias Method
VL4	3 × VL1	4 × VL1
VL3	–	3 × VL1
VL2	2 × VL1	2 × VL1
VL1	LCD reference voltage	LCD reference voltage

Figure 14-23. Examples of LCD Drive Power Connections (Internal Voltage Boosting Method)

(a) 1/3 bias method



(b) 1/4 bias method



Remark Use a capacitor with as little leakage as possible. In addition, make C1 a nonpolar capacitor.

14.8.3 Capacitor split method

RL78/L12 contains an internal voltage reduction circuit for generating LCD drive power supplies. The internal voltage reduction circuit and external capacitors ($0.47 \mu\text{F} \pm 30\%$) are used to generate an LCD drive voltage. Only 1/3 bias mode can be set for the capacitor split method.

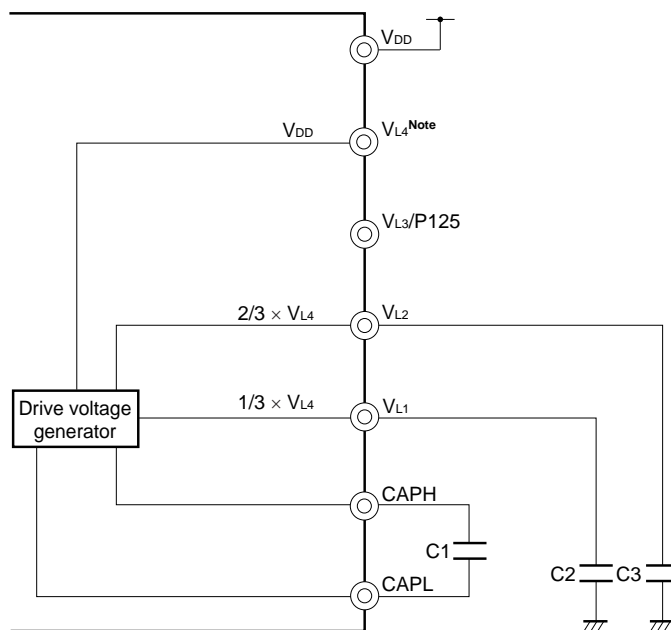
Different from the external resistance division method, there is always no current flowing with the capacitor split method, so current consumption can be reduced.

Table 14-12. LCD Drive Voltages (Capacitor Split Method)

Bias Method	1/3 Bias Method
LCD Drive Voltage Pin	
V_{L4}	V_{DD}
V_{L3}	—
V_{L2}	$2/3 \times V_{L4}$
V_{L1}	$1/3 \times V_{L4}$

Figure 14-24. Examples of LCD Drive Power Connections (Capacitor Split Method)

• 1/3 bias method



Note When switching to internal voltage boosting, connect the capacitor C4 as shown in figure 14-23 Examples of LCD Drive Power Connections (Internal Voltage Boosting Method).

Remark Use a capacitor with as little leakage as possible. In addition, make C1 a nonpolar capacitor.

14.9 Common and Segment Signals

14.9.1 Normal liquid crystal waveform

Each pixel of the LCD panel turns on when the potential difference between the corresponding common and segment signals becomes higher than a specific voltage (LCD drive voltage, V_{LCD}). The pixels turn off when the potential difference becomes lower than V_{LCD} .

Applying DC voltage to the common and segment signals of an LCD panel causes deterioration. To avoid this problem, this LCD panel is driven by AC voltage.

(1) Common signals

Each common signal is selected sequentially according to a specified number of time slices at the timing listed in Table 14-13. In the static display mode, the same signal is output to COM0 to COM3.

In the two-time-slice mode, leave the COM2 and COM3 pins open. In the three-time-slice mode, leave the COM3 pin open.

Use the COM4 to COM7 pins other than in the eight-time-slice mode as open or segment pins.

Table 14-13. COM Signals

COM Signal Number of Time Slices	COM0	COM1	COM2	COM3	COM4	COM5	COM6	COM7
Static display mode					Note	Note	Note	Note
Two-time-slice mode			Open	Open	Note	Note	Note	Note
Three-time-slice mode				Open	Note	Note	Note	Note
Four-time-slice mode					Note	Note	Note	Note
Eight-time-slice mode								

Note Use the pins as open or segment pins.

(2) Segment signals

The segment signals correspond to the LCD display data register (see **14.4 LCD Display Data Registers**).

When the number of time slices is eight, bits 0 to 7 of each display data register are read in synchronization with COM0 to COM7, respectively. If a bit is 1, it is converted to the select voltage, and if it is 0, it is converted to the deselect voltage. The conversion results are output to the segment pins (SEG4 to SEG38).

When the number of time slices is number other than eight, bits 0 to 3 of each byte in A-pattern area are read in synchronization with COM0 to COM3, and bits 4 to 7 of each byte in B-pattern area are read in synchronization with COM0 to COM3, respectively. If a bit is 1, it is converted to the select voltage, and if it is 0, it is converted to the deselect voltage. The conversion results are output to the segment pins (SEG0 to SEG38).

Check, with the information given above, what combination of front-surface electrodes (corresponding to the segment signals) and rear-surface electrodes (corresponding to the common signals) forms display patterns in the LCD display data register, and write the bit data that corresponds to the desired display pattern on a one-to-one basis.

Remark The mounted segment output pins vary depending on the product.

- 32-pin products: SEG0, SEG4 to SEG6, SEG19 to SEG21, SEG27 to SEG32
- 44-pin products: SEG0 to SEG6, SEG17 to SEG21, SEG25 to SEG34
- 48-pin products: SEG0 to SEG7, SEG16 to SEG21, SEG24 to SEG35
- 52-pin products: SEG0 to SEG8, SEG15 to SEG21, SEG23 to SEG36
- 64-pin products: SEG0 to SEG38

(3) Output waveforms of common and segment signals

The voltages listed in Table 14-14 are output as common and segment signals.

When both common and segment signals are at the select voltage, a display on-voltage of $\pm V_{LCD}$ is obtained. The other combinations of the signals correspond to the display off-voltage.

Table 14-14. LCD Drive Voltage**(a) Static display mode**

Segment Signal		Select Signal Level	Deselect Signal Level
		V_{SS}/V_{L4}	V_{L4}/V_{SS}
Common Signal			
	V_{L4}/V_{SS}	$-V_{LCD}/+V_{LCD}$	0 V/0 V

(b) 1/2 bias method

Segment Signal		Select Signal Level	Deselect Signal Level
		V_{SS}/V_{L4}	V_{L4}/V_{SS}
Common Signal			
Select signal level	V_{L4}/V_{SS}	$-V_{LCD}/+V_{LCD}$	0 V/0 V
Deselect signal level	V_{L2}	$-\frac{1}{2}V_{LCD}/+\frac{1}{2}V_{LCD}$	$+\frac{1}{2}V_{LCD}/-\frac{1}{2}V_{LCD}$

(c) 1/3 bias method (waveform A or B)

Segment Signal		Select Signal Level	Deselect Signal Level
		V_{SS}/V_{L4}	V_{L2}/V_{L1}
Common Signal			
Select signal level	V_{L4}/V_{SS}	$-V_{LCD}/+V_{LCD}$	$-\frac{1}{3}V_{LCD}/+\frac{1}{3}V_{LCD}$
Deselect signal level	V_{L1}/V_{L2}	$-\frac{1}{3}V_{LCD}/+\frac{1}{3}V_{LCD}$	$+\frac{1}{3}V_{LCD}/-\frac{1}{3}V_{LCD}$

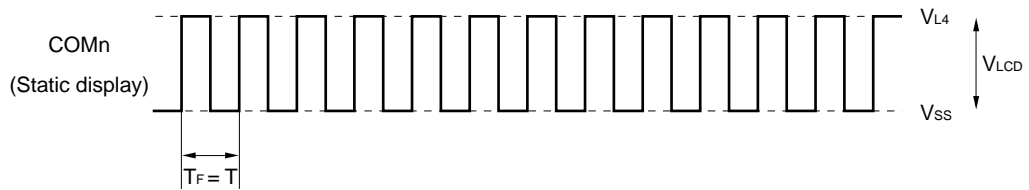
(d) 1/4 bias method (waveform A or B)

Segment Signal		Select Signal Level	Deselect Signal Level
		V_{SS}/V_{L4}	V_{L2}
Common Signal			
Select signal level	V_{L4}/V_{SS}	$-V_{LCD}/+V_{LCD}$	$-\frac{1}{2}V_{LCD}/+\frac{1}{2}V_{LCD}$
Deselect signal level	V_{L1}/V_{L3}	$-\frac{1}{4}V_{LCD}/+\frac{1}{4}V_{LCD}$	$+\frac{1}{4}V_{LCD}/-\frac{1}{4}V_{LCD}$

Figure 14-25 shows the common signal waveforms, and Figure 14-26 shows the voltages and phases of the common and segment signals.

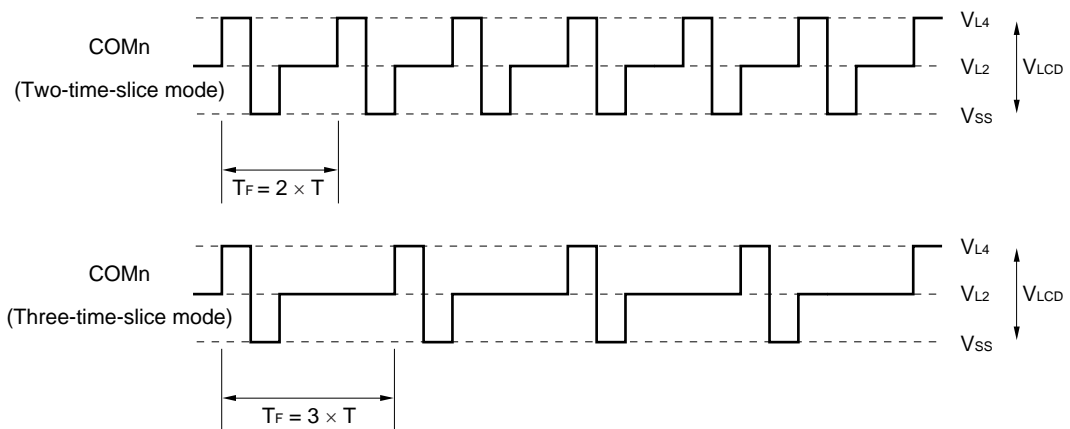
Figure 14-25. Common Signal Waveforms (1/2)

(a) Static display mode



T: One LCD clock period T_F : Frame frequency

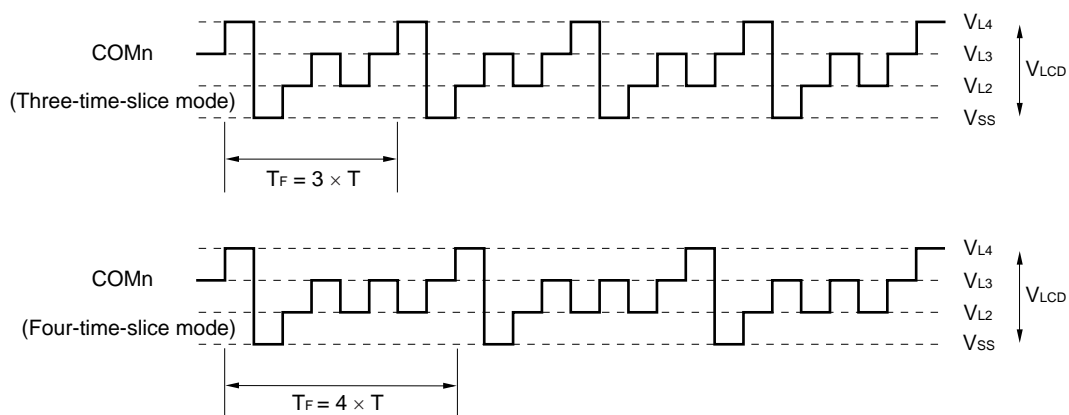
(b) 1/2 bias method



T: One LCD clock period T_F : Frame frequency

Figure 14-25. Common Signal Waveforms (2/2)

(c) 1/3 bias method



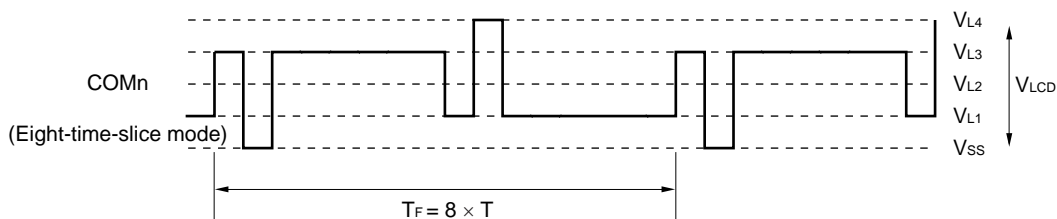
T: One LCD clock period TF: Frame frequency

< Example of calculation of LCD frame frequency (When four-time slot mode is used) >

LCD clock: $32768/2^8 = 256 \text{ Hz}$ (When setting to LCDC0 = 07H)

LCD frame frequency: 64 Hz

(d) 1/4 bias method



T: One LCD clock period TF: Frame frequency

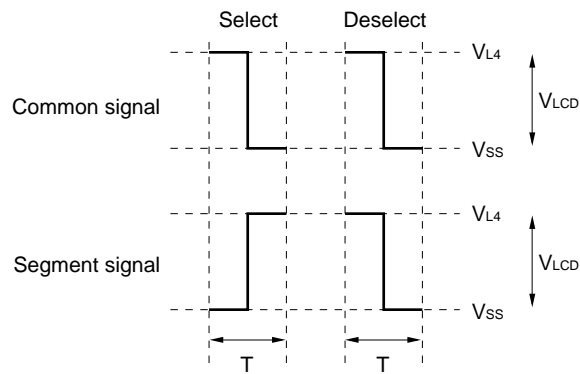
< Example of calculation of LCD frame frequency (When eight-time slot mode is used) >

LCD clock: $32768/2^8 = 256 \text{ Hz}$ (When setting to LCDC0 = 07H)

LCD frame frequency: 32 Hz

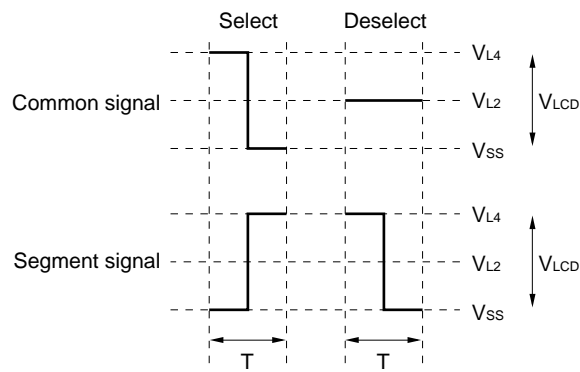
Figure 14-26. Voltages and Phases of Common and Segment Signals (1/3)

(a) Static display mode (waveform A)



T: One LCD clock period

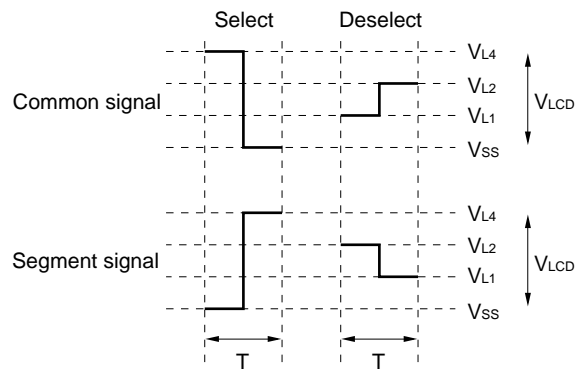
(b) 1/2 bias method (waveform A)



T: One LCD clock period

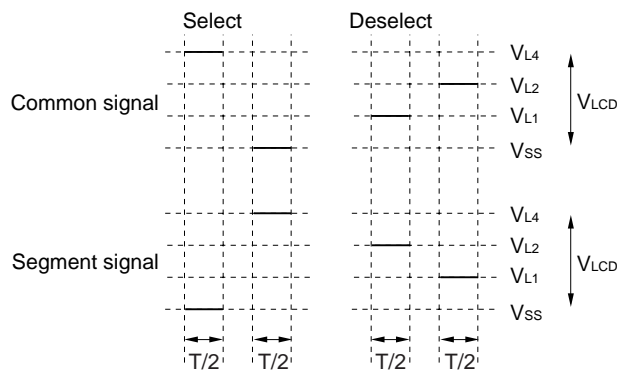
Figure 14-26. Voltages and Phases of Common and Segment Signals (2/3)

(c) 1/3 bias method (waveform A)



T: One LCD clock period

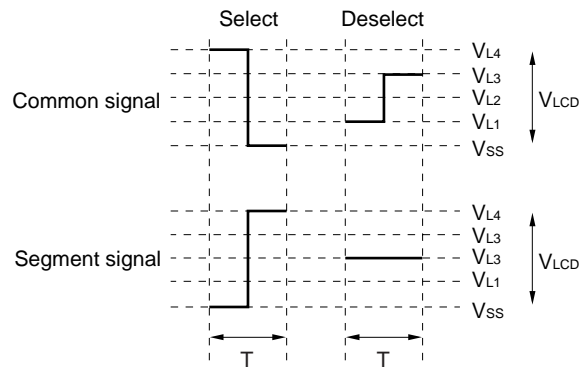
(d) 1/3 bias method (waveform B)



T: One LCD clock period

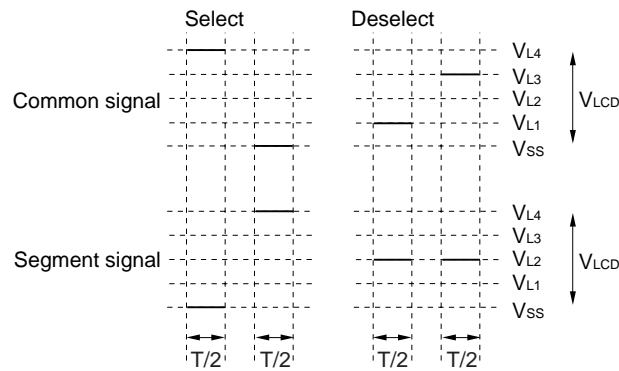
Figure 14-26. Voltages and Phases of Common and Segment Signals (3/3)

(e) 1/4 bias method (waveform A)



T: One LCD clock period

(f) 1/4 bias method (waveform B)



T: One LCD clock period

14.10 Display Modes

14.10.1 Static display example

Figure 14-28 shows how the three-digit LCD panel having the display pattern shown in Figure 14-27 is connected to the segment signals (SEG0 to SEG23) and the common signal (COM0). This example displays data “12.3” in the LCD panel. The contents of the display data register (F0400H to F0417H) correspond to this display.

The following description focuses on numeral “2.” (2.) displayed in the second digit. To display “2.” in the LCD panel, it is necessary to apply the select or deselect voltage to the SEG8 to SEG15 pins according to Table 14-15 at the timing of the common signal COM0; see **Figure 14-27** for the relationship between the segment signals and LCD segments.

Table 14-15. Select and Deselect Voltages (COM0)

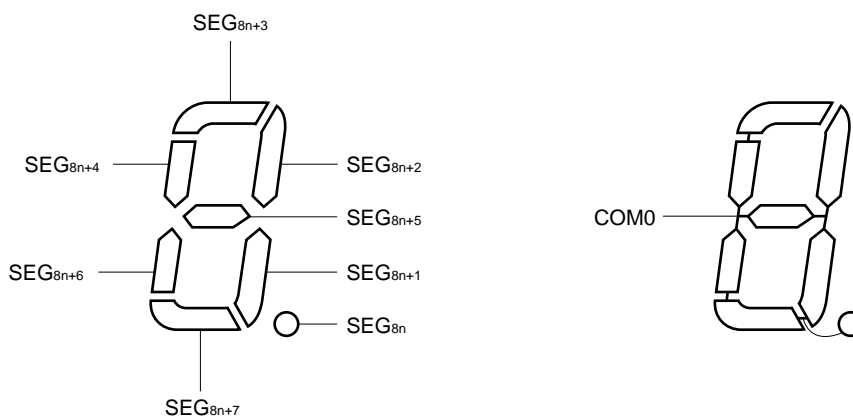
Segment	SEG8	SEG9	SEG10	SEG11	SEG12	SEG13	SEG14	SEG15
Common								
COM0	Select	Deselect	Select	Select	Deselect	Select	Select	Select

According to Table 14-15, it is determined that the bit-0 pattern of the display data register locations (F0408H to F040FH) must be 10110111.

Figure 14-29 shows the LCD drive waveforms of SEG11 and SEG12, and COM0. When the select voltage is applied to SEG11 at the timing of COM0, an alternate rectangle waveform, +V_{LCD}/–V_{LCD}, is generated to turn on the corresponding LCD segment.

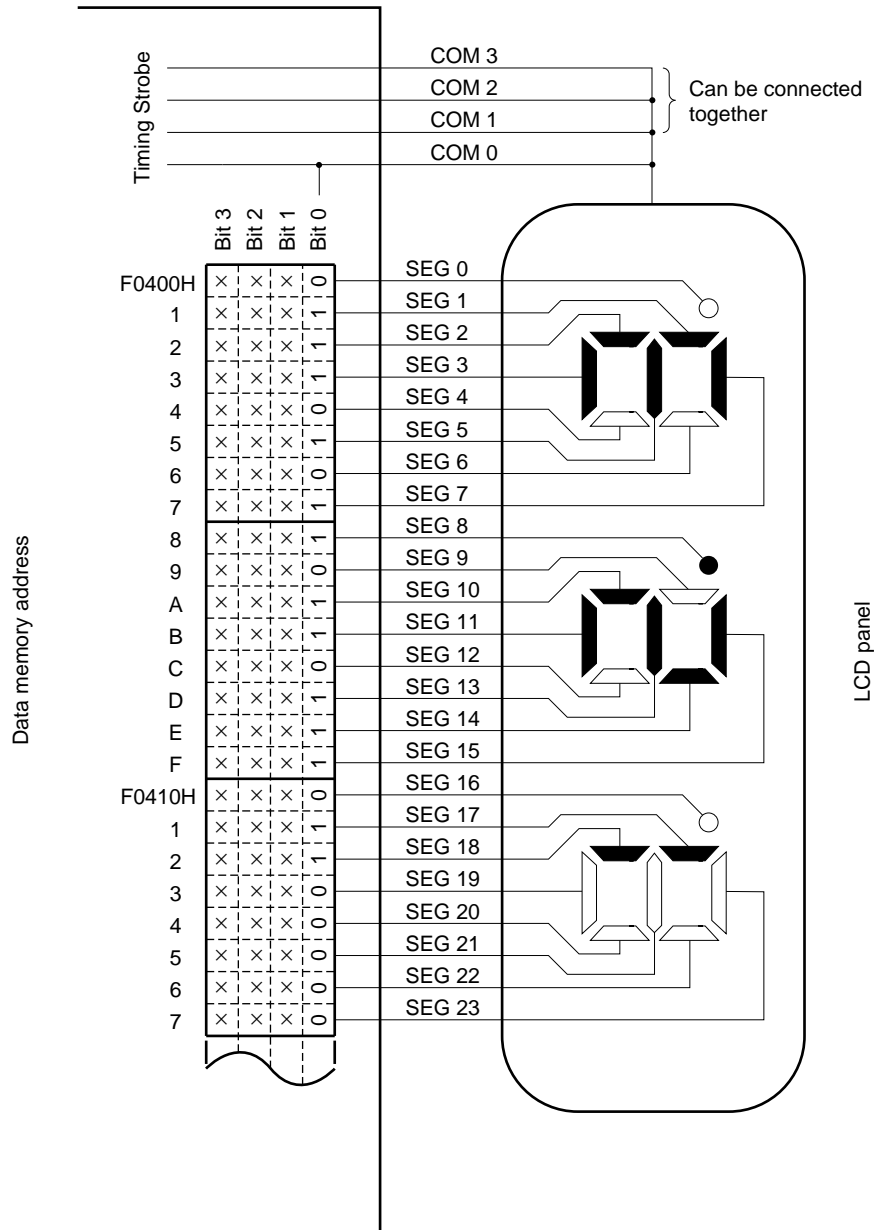
COM1 to COM3 are supplied with the same waveform as for COM0. So, COM0 to COM3 may be connected together to increase the driving capacity.

Figure 14-27. Static LCD Display Pattern and Electrode Connections



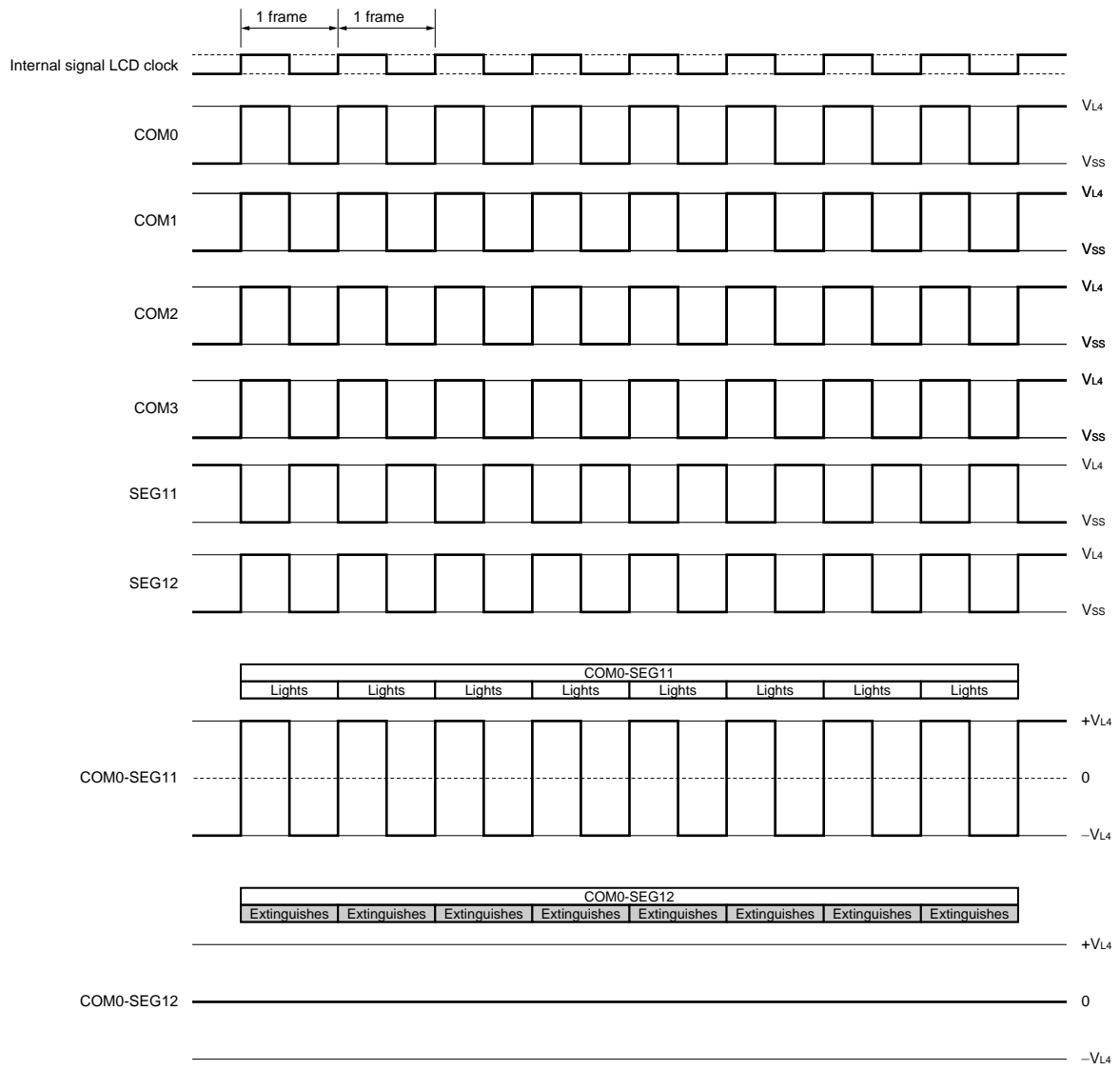
Remark 30-pin products: n = 0
 44-pin products: n = 0, 1
 48-, 52-pin products: n = 0 to 2
 64-pin products: n = 0 to 3

Figure 14-28. Example of Connecting Static LCD Panel



Remark x: Don't care.

Figure 14-29. Static LCD Drive Waveform Examples for SEG11, SEG2, and COM0



14.10.2 Two-time-slice display example

Figure 14-31 shows how the 6-digit LCD panel having the display pattern shown in Figure 14-30 is connected to the segment signals (SEG0 to SEG23) and the common signals (COM0 and COM1). This example displays data “12345.6” in the LCD panel. The contents of the display data register (F0400H to F0417H) correspond to this display.

The following description focuses on numeral “3” (3) displayed in the fourth digit. To display “3” in the LCD panel, it is necessary to apply the select or deselect voltage to the SEG12 to SEG15 pins according to Table 14-16 at the timing of the common signals COM0 and COM1; see **Figure 14-30** for the relationship between the segment signals and LCD segments.

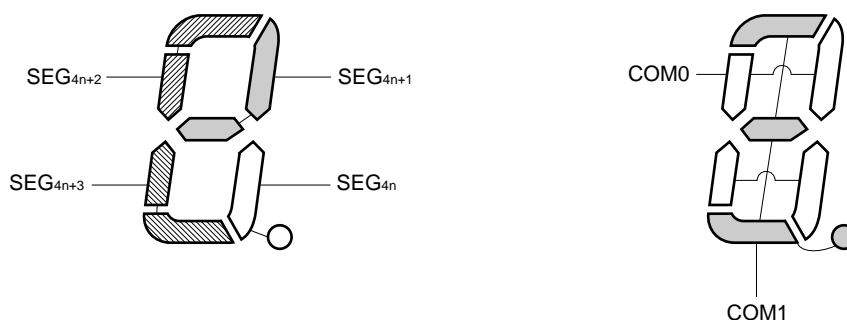
Table 14-16. Select and Deselect Voltages (COM0 and COM1)

Segment	SEG12	SEG13	SEG14	SEG15
Common				
COM0	Select	Select	Deselect	Deselect
COM1	Deselect	Select	Select	Select

According to Table 14-16, it is determined that the display data register location (F040FH) that corresponds to SEG15 must contain xx10.

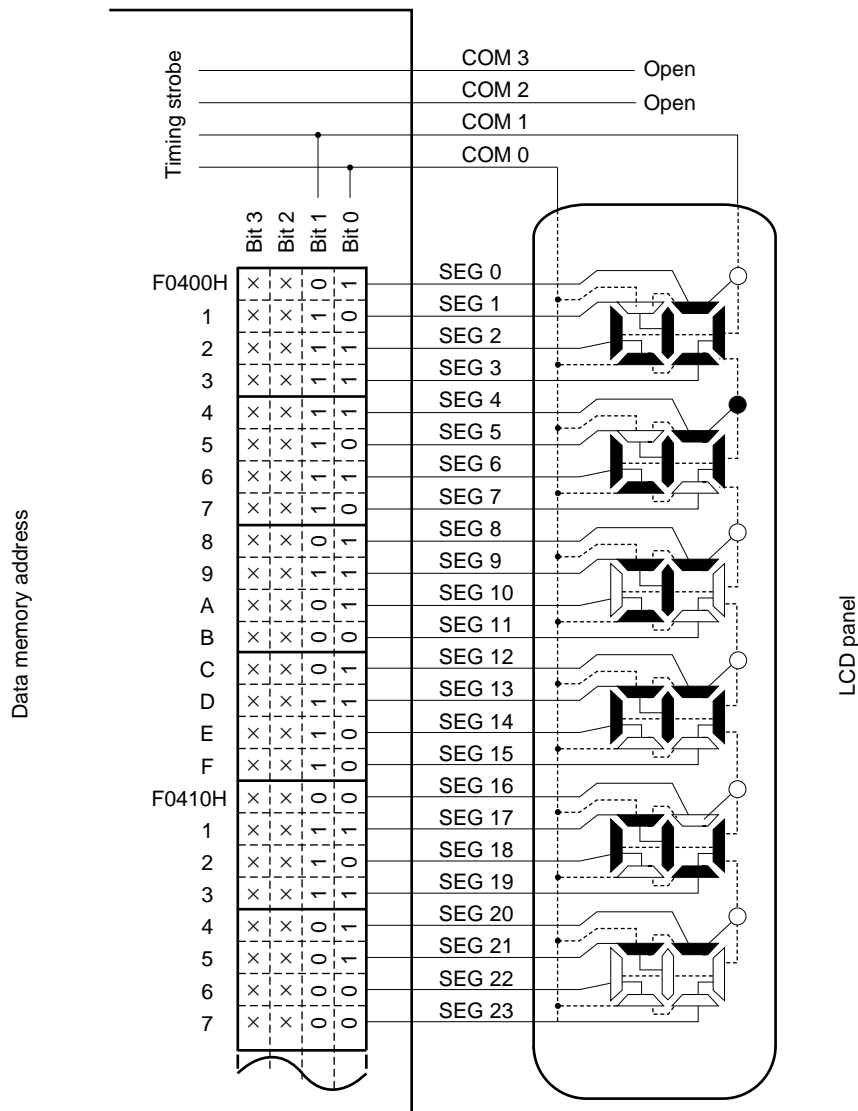
Figure 14-32 shows examples of LCD drive waveforms between the SEG15 signal and each common signal. When the select voltage is applied to SEG15 at the timing of COM1, an alternate rectangle waveform, +V_{LCD}/–V_{LCD}, is generated to turn on the corresponding LCD segment.

Figure 14-30. Two-Time-Slice LCD Display Pattern and Electrode Connections



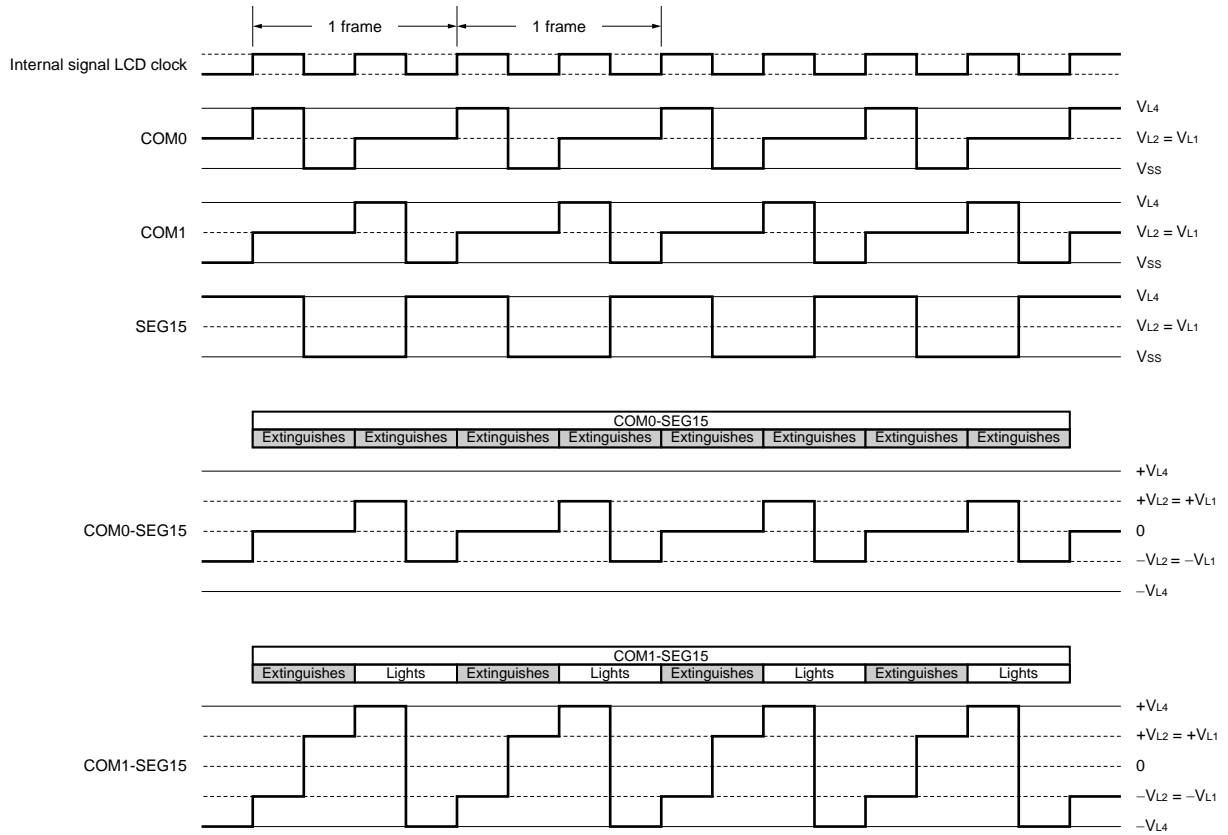
- Remark**
- 30-pin products: n = 0 to 2
 - 44-pin products: n = 0 to 4
 - 48-pin products: n = 0 to 5
 - 52-pin products: n = 0 to 6
 - 64-pin products: n = 0 to 8

Figure 14-31. Example of Connecting Two-Time-Slice LCD Panel



Remark x: Don't care.

Figure 14-32. Two-Time-Slice LCD Drive Waveform Examples Between SEG15 and Each Common Signals (1/2 Bias Method)



14.10.3 Three-time-slice display example

Figure 14-34 shows how the 8-digit LCD panel having the display pattern shown in Figure 14-33 is connected to the segment signals (SEG0 to SEG23) and the common signals (COM0 to COM2). This example displays data “123456.78” in the LCD panel. The contents of the display data register (addresses F0400H to F0417H) correspond to this display.

The following description focuses on numeral “6.” (6.) displayed in the third digit. To display “6.” in the LCD panel, it is necessary to apply the select or deselect voltage to the SEG6 to SEG8 pins according to Table 14-17 at the timing of the common signals COM0 to COM2; see **Figure 14-33** for the relationship between the segment signals and LCD segments.

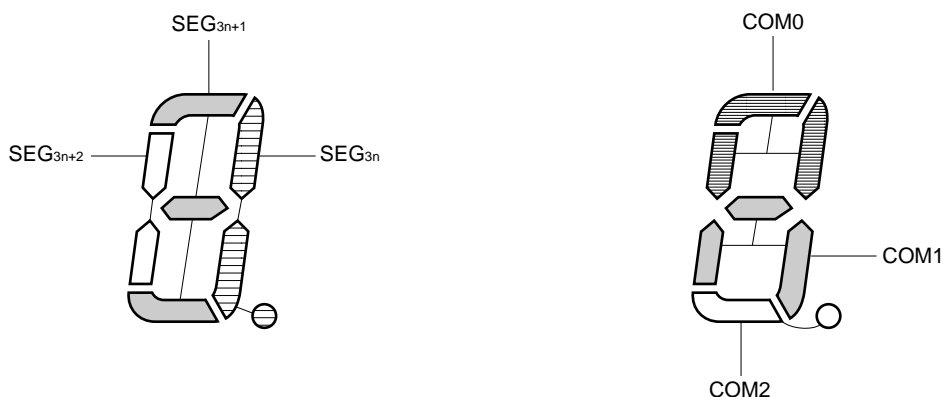
Table 14-17. Select and Deselect Voltages (COM0 to COM2)

Segment	SEG6	SEG7	SEG8
Common			
COM0	Deselect	Select	Select
COM1	Select	Select	Select
COM2	Select	Select	–

According to Table 14-17, it is determined that the display data register location (F0406H) that corresponds to SEG6 must contain x110.

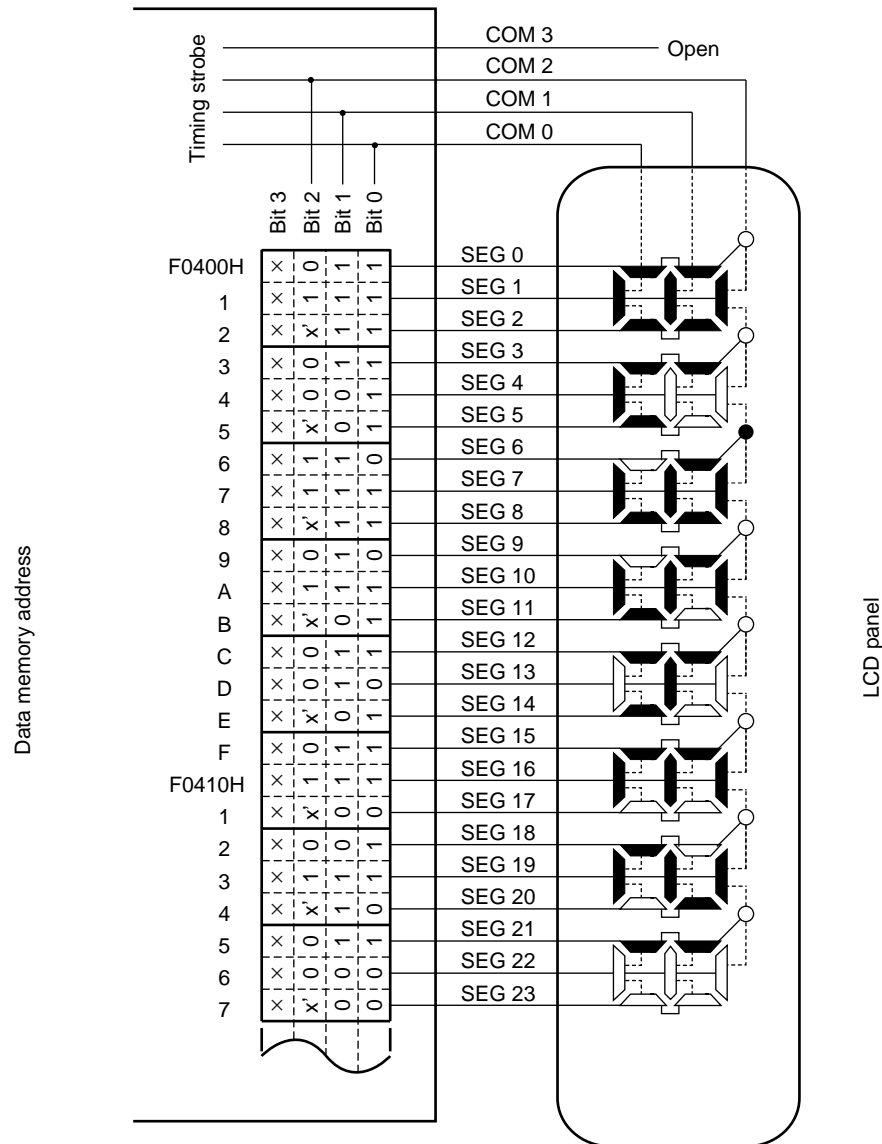
Figures 14-35 and 14-36 show examples of LCD drive waveforms between the SEG6 signal and each common signal in the 1/2 and 1/3 bias methods, respectively. When the select voltage is applied to SEG6 at the timing of COM1 or COM2, an alternate rectangle waveform, +V_{LCD}/–V_{LCD}, is generated to turn on the corresponding LCD segment.

Figure 14-33. Three-Time-Slice LCD Display Pattern and Electrode Connections



- Remark**
- 30-pin products: n = 0 to 3
 - 44-pin products: n = 0 to 6
 - 48-pin products: n = 0 to 7
 - 52-pin products: n = 0 to 9
 - 64-pin products: n = 0 to 12

Figure 14-34. Example of Connecting Three-Time-Slice LCD Panel



Remark x: Don't care.

x': Can be used to store any data because there is no corresponding segment in the LCD panel.

Figure 14-35. Three-Time-Slice LCD Drive Waveform Examples Between SEG6 and Each Common Signals (1/2 Bias Method)

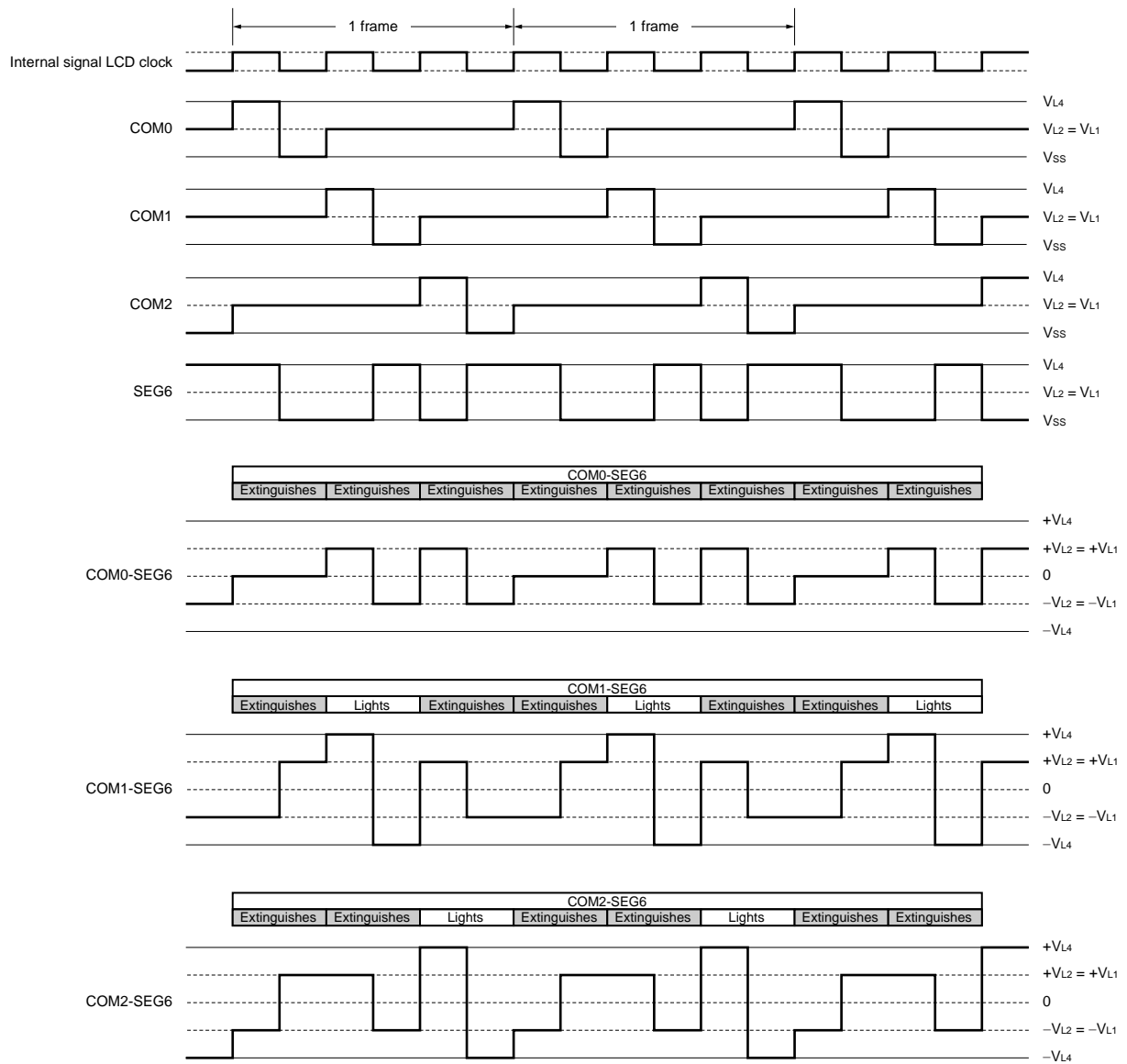
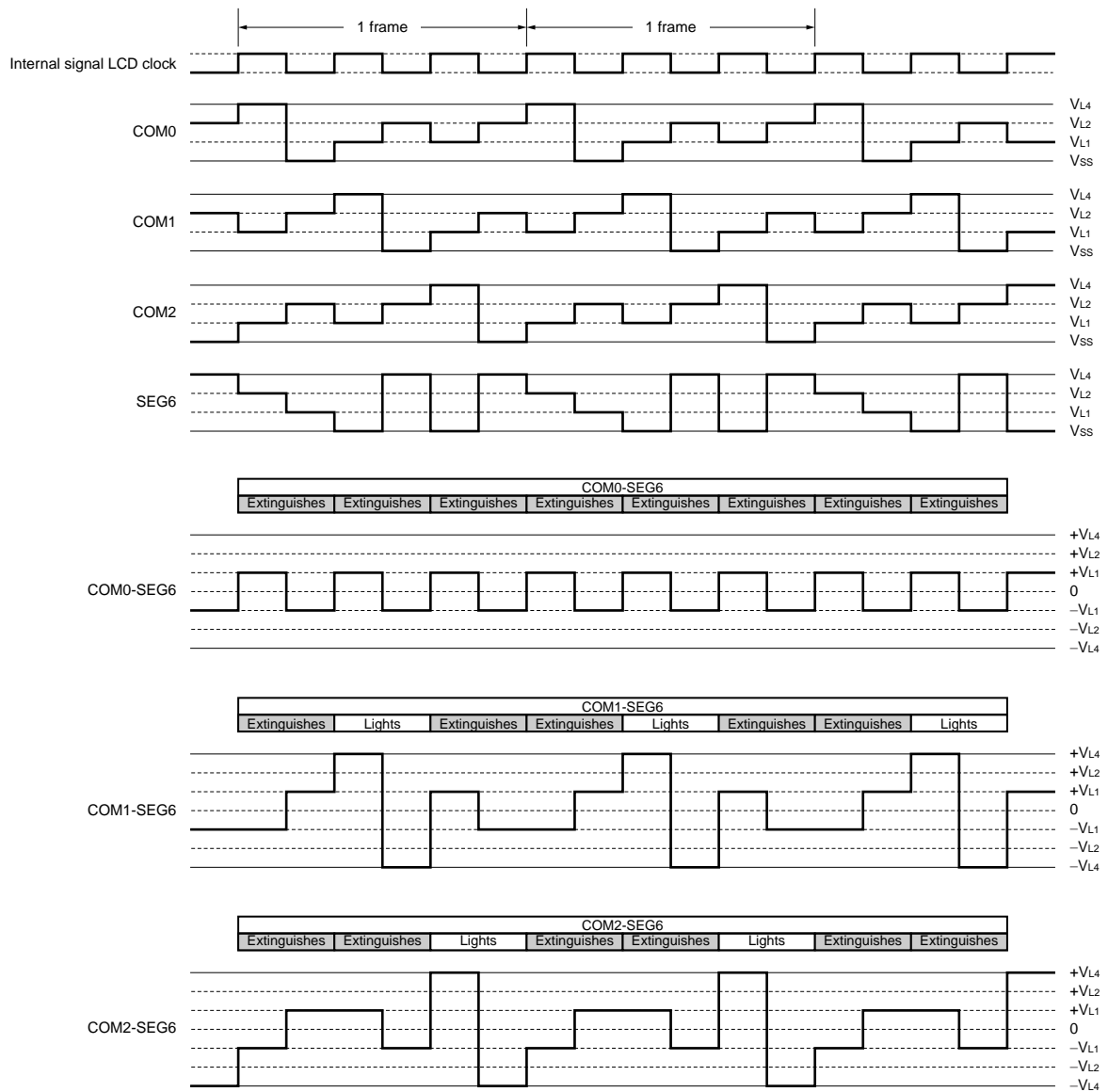


Figure 14-36. Three-Time-Slice LCD Drive Waveform Examples Between SEG6 and Each Common Signals (1/3 Bias Method)



14.10.4 Four-time-slice display example

Figure 14-38 shows how the 12-digit LCD panel having the display pattern shown in Figure 14-37 is connected to the segment signals (SEG0 to SEG23) and the common signals (COM0 to COM3). This example displays data “123456.789012” in the LCD panel. The contents of the display data register (addresses F0400H to F0417H) correspond to this display.

The following description focuses on numeral “6.” (E.) displayed in the seventh digit. To display “6.” in the LCD panel, it is necessary to apply the select or deselect voltage to the SEG12 and SEG13 pins according to Table 14-18 at the timing of the common signals COM0 to COM3; see **Figure 14-37** for the relationship between the segment signals and LCD segments.

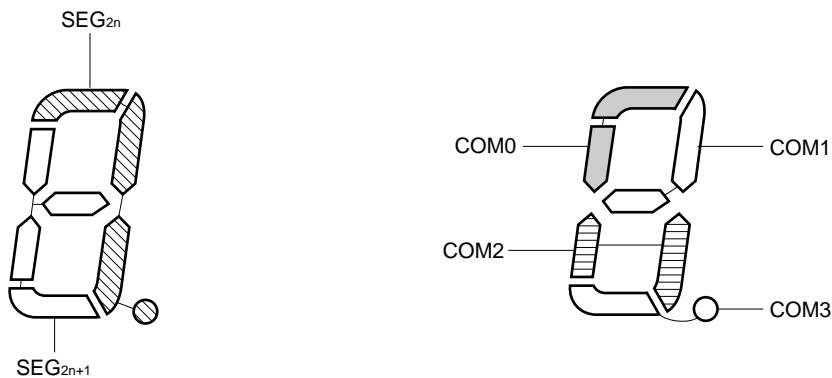
Table 14-18. Select and Deselect Voltages (COM0 to COM3)

Segment	SEG12	SEG13
Common		
COM0	Select	Select
COM1	Deselect	Select
COM2	Select	Select
COM3	Select	Select

According to Table 14-18, it is determined that the display data register location (F040CH) that corresponds to SEG12 must contain 1101.

Figure 14-39 shows examples of LCD drive waveforms between the SEG12 signal and each common signal. When the select voltage is applied to SEG12 at the timing of COM0, an alternate rectangle waveform, $+V_{LCD}/-V_{LCD}$, is generated to turn on the corresponding LCD segment.

Figure 14-37. Four-Time-Slice LCD Display Pattern and Electrode Connections



- Remark**
- 30-pin products: n = 0 to 5
 - 44-pin products: n = 0 to 10
 - 48-pin products: n = 0 to 12
 - 52-pin products: n = 0 to 14
 - 64-pin products: n = 0 to 18

Figure 14-38. Example of Connecting Four-Time-Slice LCD Panel

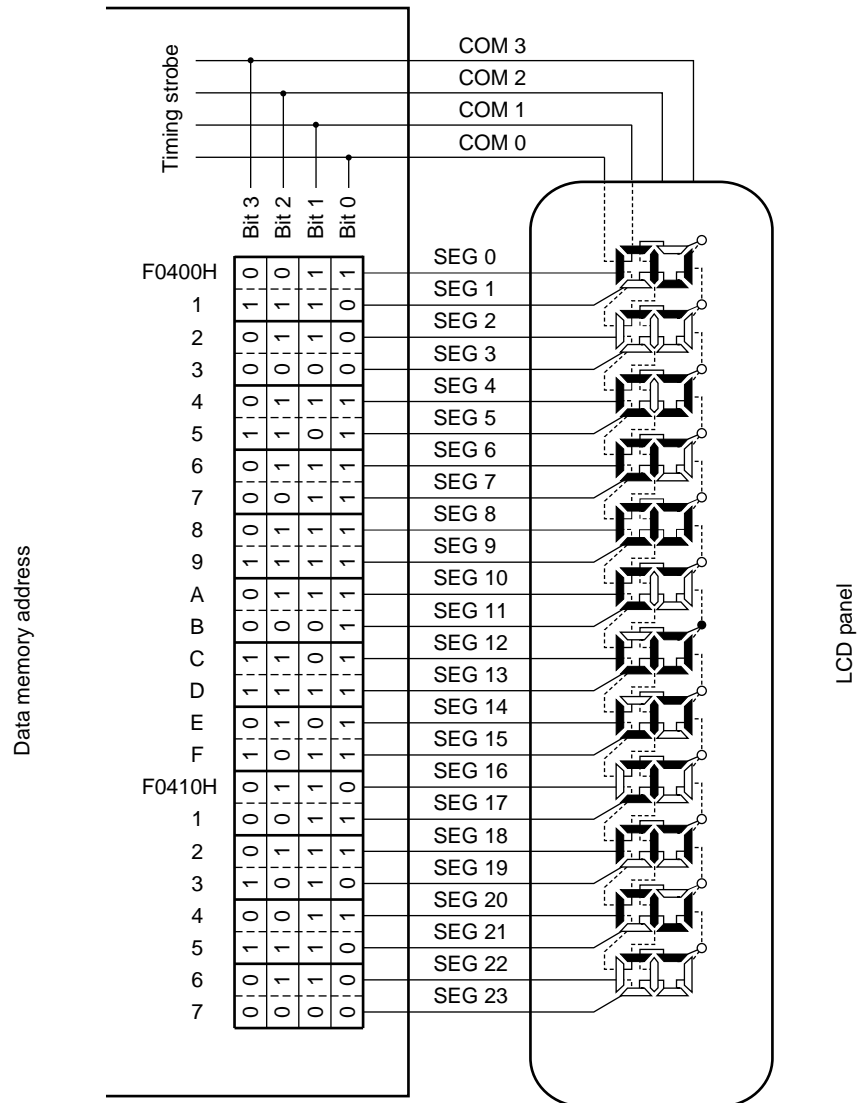


Figure 14-39. Four-Time-Slice LCD Drive Waveform Examples Between SEG12 and Each Common Signals (1/3 Bias Method) (1/2)

(a) Waveform A

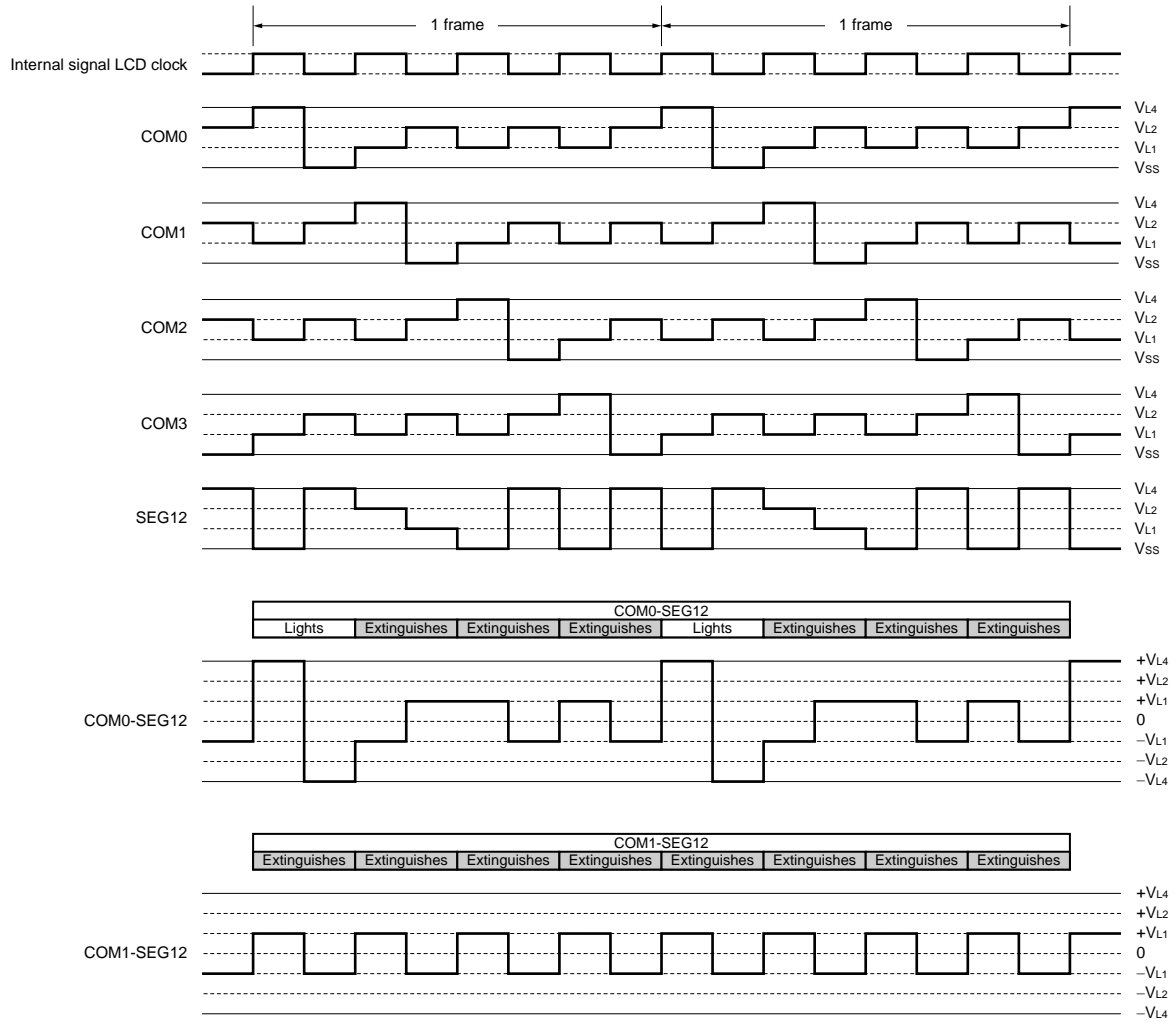
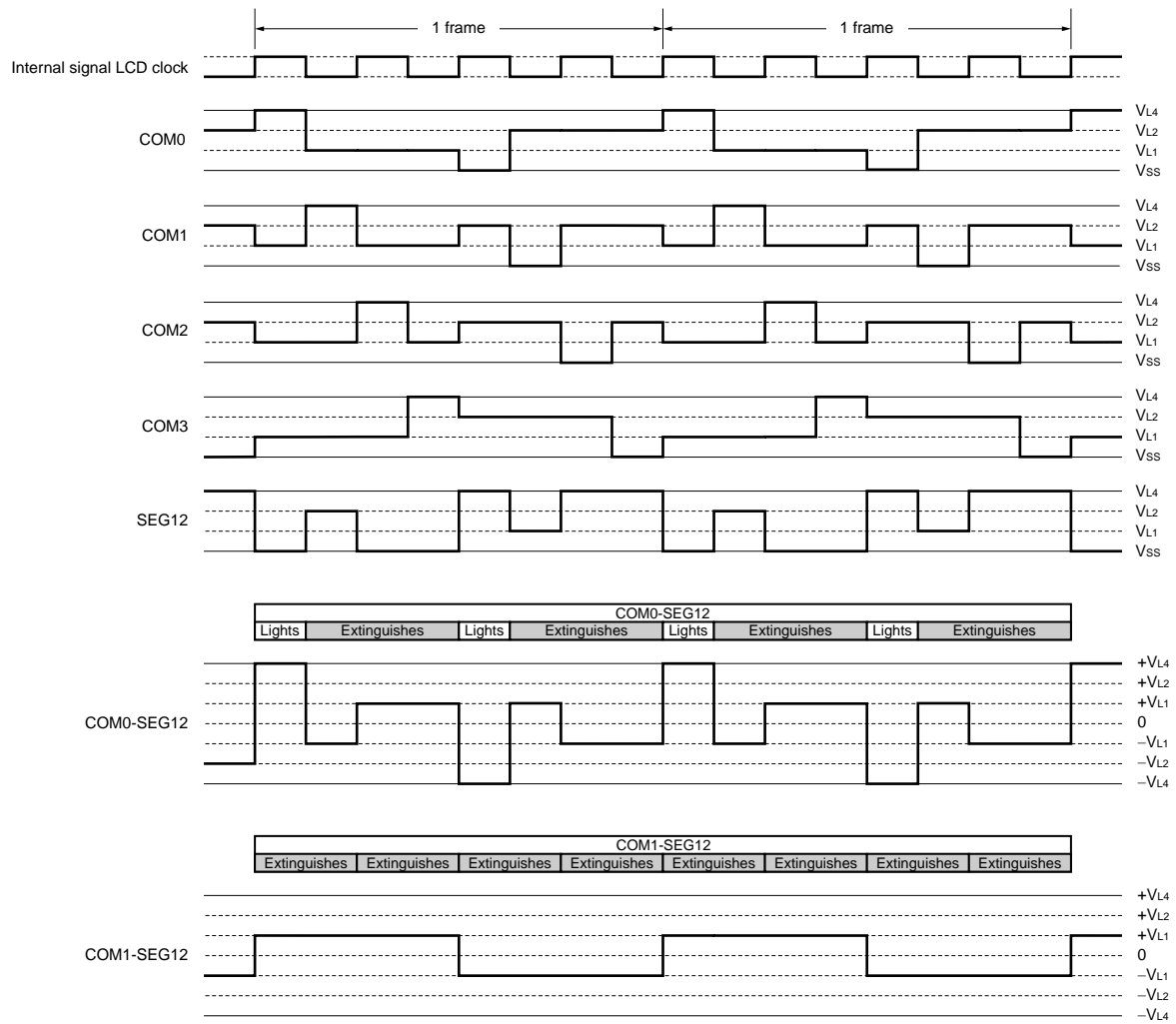


Figure 14-39. Four-Time-Slice LCD Drive Waveform Examples Between SEG12 and Each Common Signals (1/3 Bias Method) (2/2)

(b) Waveform B



14.10.5 Eight-time-slice display example

Figure 14-41 shows how the 15x8 dot LCD panel having the display pattern shown in Figure 14-40 is connected to the segment signals (SEG4 to SEG18) and the common signals (COM0 to COM7). This example displays data “123” in the LCD panel. The contents of the display data register (addresses F0404H to F0412H) correspond to this display.

The following description focuses on numeral “3.” (3) displayed in the first digit. To display “3.” in the LCD panel, it is necessary to apply the select or deselect voltage to the SEG4 to SEG8 pins according to Table 14-19 at the timing of the common signals COM0 to COM7; see **Figure 14-40** for the relationship between the segment signals and LCD segments.

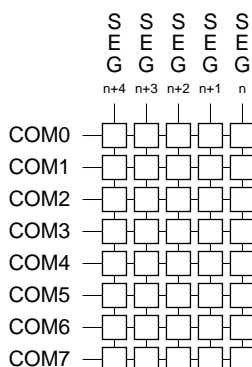
Table 14-19. Select and Deselect Voltages (COM0 to COM7)

Segment	SEG4	SEG5	SEG6	SEG7	SEG8
Common					
COM0	Select	Select	Select	Select	Select
COM1	Deselect	Select	Deselect	Deselect	Deselect
COM2	Deselect	Deselect	Select	Deselect	Deselect
COM3	Deselect	Select	Deselect	Deselect	Deselect
COM4	Select	Deselect	Deselect	Deselect	Deselect
COM5	Select	Deselect	Deselect	Deselect	Select
COM6	Deselect	Select	Select	Select	Deselect
COM7	Deselect	Deselect	Deselect	Deselect	Deselect

According to Table 14-19, it is determined that the display data register location (F0404H) that corresponds to SEG4 must contain 00110001.

Figure 14-42 shows examples of LCD drive waveforms between the SEG4 signal and each common signal. When the select voltage is applied to SEG4 at the timing of COM0, a waveform is generated to turn on the corresponding LCD segment.

Figure 14-40. Eight-Time-Slice LCD Display Pattern and Electrode Connections



- Remark**
- 30-pin products: n = 4 to 8
 - 44-pin products: n = 4 to 17
 - 48-pin products: n = 4 to 21
 - 52-pin products: n = 4 to 25
 - 64-pin products: n = 4 to 34

Figure 14-41. Example of Connecting Eight-Time-Slice LCD Panel

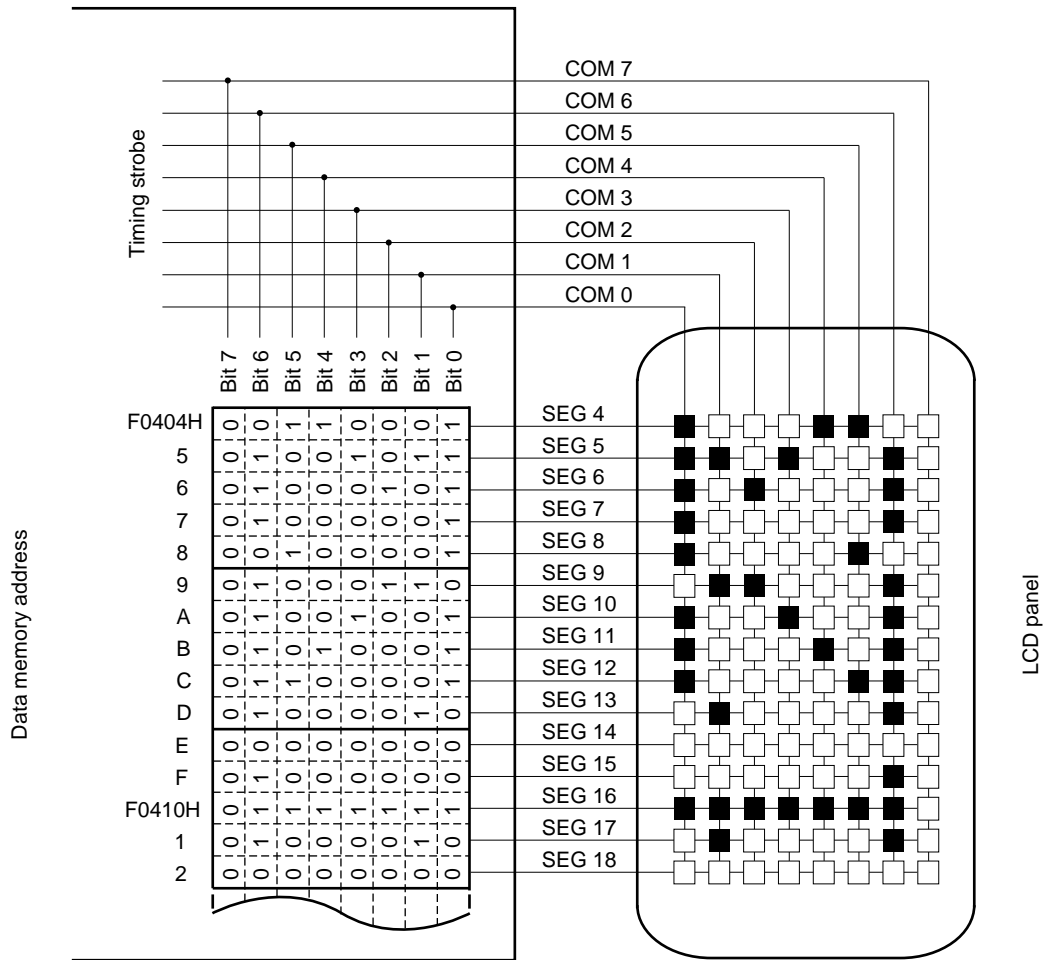


Figure 14-42. Eight-Time-Slice LCD Drive Waveform Examples Between SEG4 and Each Common Signals (1/4 Bias Method) (1/2)

(a) Waveform A

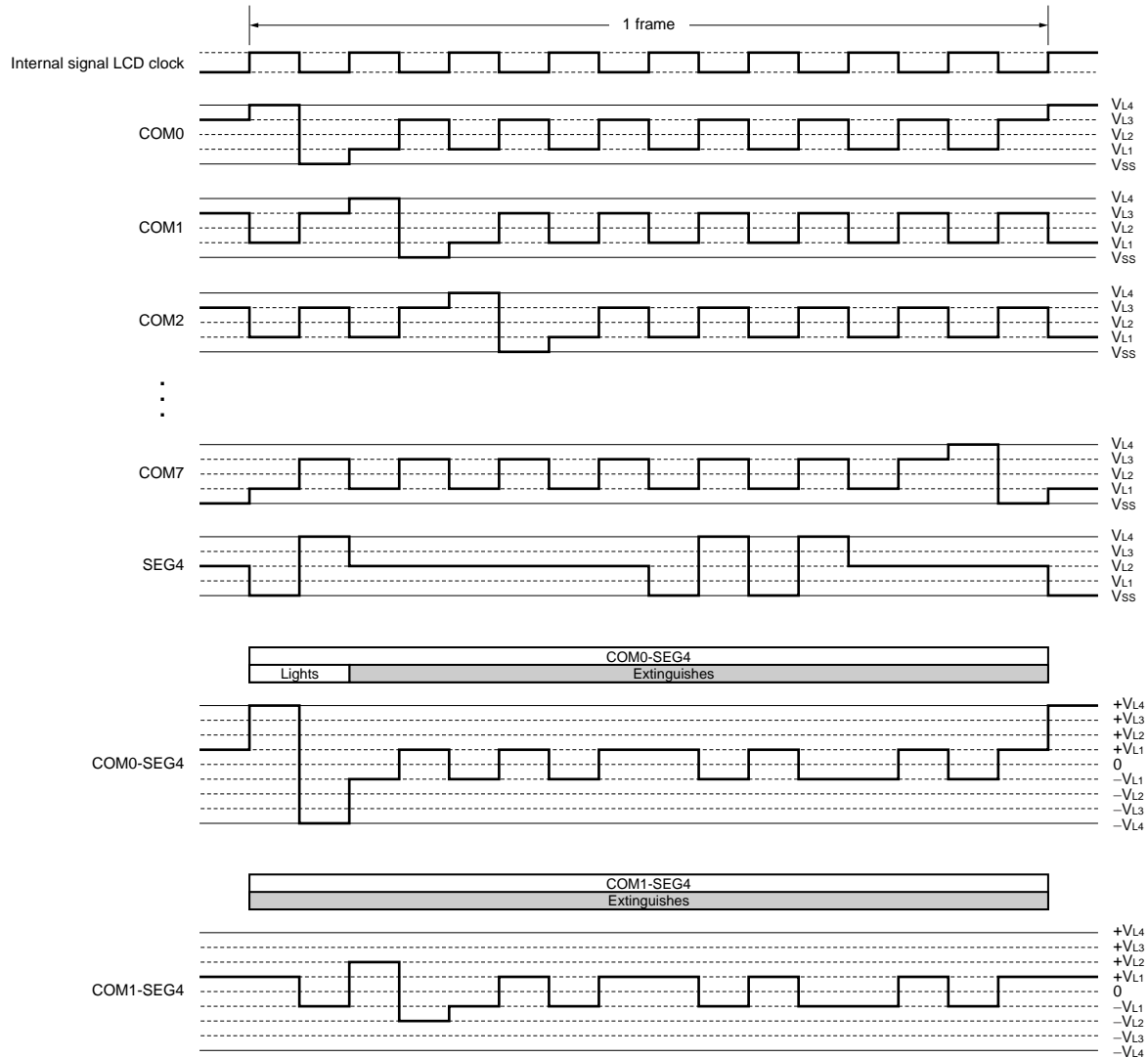
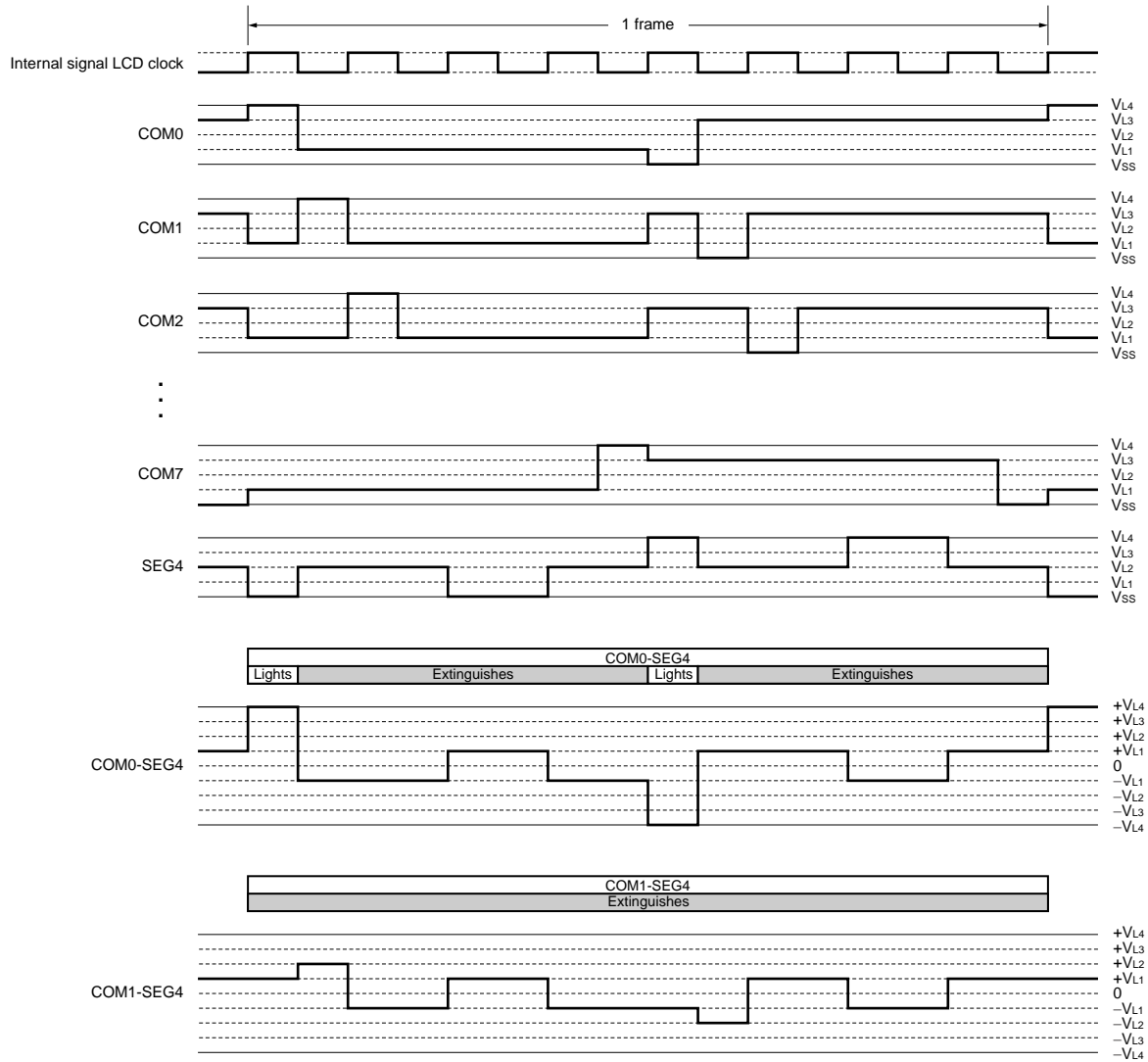


Figure 14-42. Eight-Time-Slice LCD Drive Waveform Examples Between SEG4 and Each Common Signals (1/4 Bias Method) (2/2)

(b) Waveform B



CHAPTER 15 MULTIPLIER AND DIVIDER/MULTIPLY-ACCUMULATOR

15.1 Functions of Multiplier and Divider/Multiply-Accumulator

The multiplier and divider/multiply-accumulator has the following functions.

- $16 \text{ bits} \times 16 \text{ bits} = 32 \text{ bits}$ (Unsigned)
- $16 \text{ bits} \times 16 \text{ bits} = 32 \text{ bits}$ (Signed)
- $16 \text{ bits} \times 16 \text{ bits} + 32 \text{ bits} = 32 \text{ bits}$ (Unsigned)
- $16 \text{ bits} \times 16 \text{ bits} + 32 \text{ bits} = 32 \text{ bits}$ (Signed)
- $32 \text{ bits} \div 32 \text{ bits} = 32 \text{ bits}$, 32-bits remainder (Unsigned)

15.2 Configuration of Multiplier and Divider/Multiply-Accumulator

The multiplier and divider/multiply-accumulator consists of the following hardware.

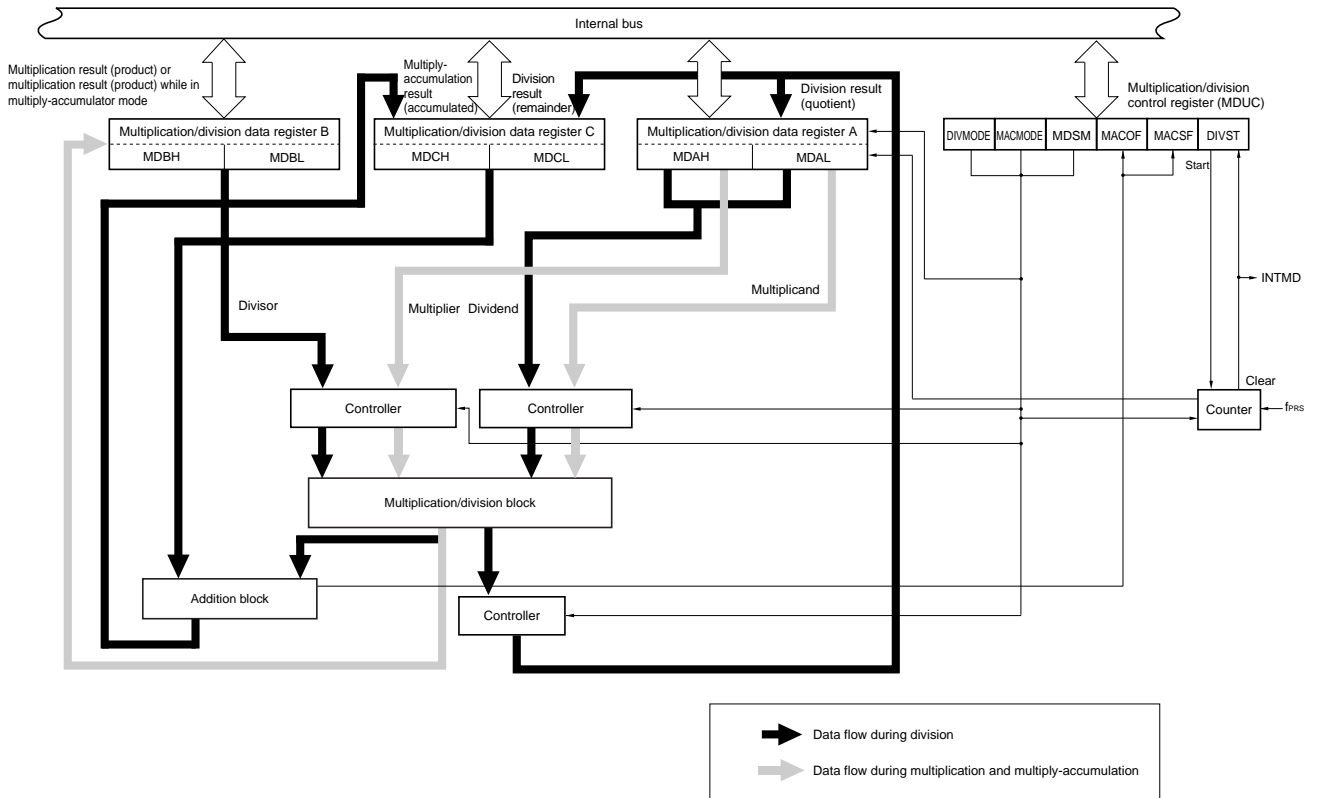
Table 15-1. Configuration of Multiplier and Divider/Multiply-Accumulator

Item	Configuration
Registers	Multiplication/division data register A (L) (MDAL) Multiplication/division data register A (H) (MDAH) Multiplication/division data register B (L) (MDBL) Multiplication/division data register B (H) (MDBH) Multiplication/division data register C (L) (MDCL) Multiplication/division data register C (H) (MDCH)
Control register	Multiplication/division control register (MDUC)

Figure 15-1 shows a block diagram of the multiplier and divider/multiply-accumulator.

<R>

Figure 15-1. Block Diagram of Multiplier and Divider/Multiply-Accumulator



Remark f_{CLK}: CPU/peripheral hardware clock frequency

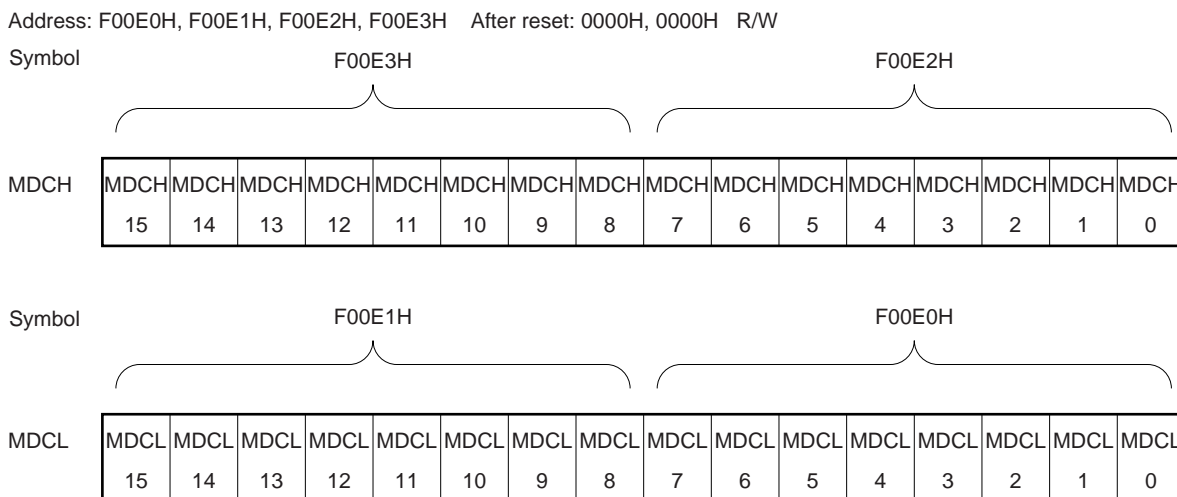
15.2.3 Multiplication/division data register C (MDCL, MDCH)

The MDCH and MDCL registers are used to store the accumulated result while in the multiply-accumulator mode or the remainder of the operation result while in the division mode. These registers are not used while in the multiplication mode.

The MDCH and MDCL registers can be set by a 16-bit manipulation instruction.

Reset signal generation clears these registers to 0000H.

Figure 15-4. Format of Multiplication/Division Data Register C (MDCH, MDCL)



- Cautions**
1. The MDCH and MDCL registers values read during division operation processing (when the multiplication/division control register (MDUC) value is 81H or C1H) will not be guaranteed.
 2. During multiply-accumulator processing, do not use software to rewrite the values of the MDCH and MDCL registers. If this is done, the operation result will be undefined.
 3. The data is in the two's complement format in the multiply-accumulator mode (signed).

Table 15-4. Functions of MDCH and MDCL Registers During Operation Execution

Operation Mode	Setting	Operation Result
Multiplication mode (unsigned or signed)	–	–
Multiply-accumulator mode (unsigned)	MDCH: Initial accumulated value (unsigned) (higher 16 bits) MDCL: Initial accumulated value (unsigned) (lower 16 bits)	MDCH: Accumulated value (unsigned) (higher 16 bits) MDCL: Accumulated value (unsigned) (lower 16 bits)
Multiply-accumulator mode (signed)	MDCH: Initial accumulated value (signed) (higher 16 bits) MDCL: Initial accumulated value (signed) (lower 16 bits)	MDCH: Accumulated value (signed) (higher 16 bits) MDCL: Accumulated value (signed) (lower 16 bits)
Division mode (unsigned)	–	MDCH: Remainder (unsigned) (higher 16 bits) MDCL: Remainder (unsigned) (lower 16 bits)

The register configuration differs between when multiplication is executed and when division is executed, as follows.

- Register configuration during multiplication

$$\begin{array}{ccc} \text{<Multiplier A>} & \text{<Multiplier B>} & \text{<Product>} \\ \text{MDAL (bits 15 to 0)} \times \text{MDAH (bits 15 to 0)} & = & [\text{MDBH (bits 15 to 0), MDBL (bits 15 to 0)}] \end{array}$$

- Register configuration during multiply-accumulation

$$\begin{array}{cccc} \text{<Multiplier A>} & \text{<Multiplier B>} & \text{< accumulated value >} & \text{< accumulated result >} \\ \text{MDAL (bits 15 to 0)} \times \text{MDAH (bits 15 to 0)} + \text{MDC (bits 31 to 0)} & = & [\text{MDCH (bits 15 to 0), MDCL (bits 15 to 0)}] \end{array}$$

(The multiplication result is stored in the MDBH (bits 15 to 0) and MDBL (bits 15 to 0).)

- Register configuration during division

$$\begin{array}{ccc} \text{<Dividend>} & & \text{<Divisor>} \\ [\text{MDAH (bits 15 to 0), MDAL (bits 15 to 0)}] \div [\text{MDBH (bits 15 to 0), MDBL (bits 15 to 0)}] & = & \\ \text{<Quotient>} & & \text{<Remainder>} \\ [\text{MDAH (bits 15 to 0), MDAL (bits 15 to 0)}] \dots [\text{MDCH (bits 15 to 0), MDCL (bits 15 to 0)}] \end{array}$$

15.3 Register Controlling Multiplier and Divider/Multiply-Accumulator

The multiplier and divider/multiply-accumulator is controlled by using the multiplication/division control register (MDUC).

15.3.1 Multiplication/division control register (MDUC)

The MDUC register is an 8-bit register that controls the operation of the multiplier and divider/multiply-accumulator.

<R> The MDUC register can be set by a 1-bit or 8-bit memory manipulation instruction. Note that the overflow flag (MACOF) and sign flag (MACSF) of the multiply-accumulation result (accumulated) are read-only flags.

Reset signal generation clears this register to 00H.

Figure 15-5. Format of Multiplication/Division Control Register (MDUC)

Address: F00E8H After reset: 00H R/W^{Note 1}

Symbol	<7>	<6>	5	4	<3>	<2>	<1>	<0>
MDUC	DIVMODE	MACMODE	0	0	MDSM	MACOF	MACSF	DIVST

<R>

DIVMODE	MACMODE	MDSM	Operation mode selection
0	0	0	Multiplication mode (unsigned) (default)
0	0	1	Multiplication mode (signed)
0	1	0	Multiply-accumulator mode (unsigned)
0	1	1	Multiply-accumulator mode (signed)
1	0	0	Division mode (unsigned), generation of a division completion interrupt (INTMD)
1	1	0	Division mode (unsigned), not generation of a division completion interrupt (INTMD)
Other than above			Setting is prohibited

MACOF	Overflow flag of multiply-accumulation result (accumulated value)
0	No overflow
1	With over flow
<Set condition> <ul style="list-style-type: none"> For the multiply-accumulator mode (unsigned) The bit is set when the accumulated value goes outside the range from 00000000h to FFFFFFFFh. For the multiply-accumulator mode (signed) The bit is set when the result of adding a positive product to a positive accumulated value exceeds 7FFFFFFFh and is negative, or when the result of adding a positive product to a negative accumulated value exceeds 80000000h and is positive. 	

MACSF	Sign flag of multiply-accumulation result (accumulated value)
0	The accumulated value is positive.
1	The accumulated value is negative.
Multiply-accumulator mode (unsigned): The bit is always 0. Multiply-accumulator mode (signed): The bit indicates the sign bit of the accumulated value.	

DIVST ^{Note 2}	Division operation start/stop
0	Division operation processing complete
1	Starts division operation/division operation processing in progress

(Notes and Cautions are listed on the next page.)

<R>

- Notes**
1. Bits 1 and 2 are read-only bits.
 2. The DIVST bit can only be set (1) in the division mode. In the division mode, division operation is started by setting (1) the DIVST bit. The DIVST bit is automatically cleared (0) when the operation ends. In the multiplication mode, operation is automatically started by setting the multiplier and multiplicand to multiplication/division data register A (MDAH, MDAL), respectively.

- Cautions**
1. Do not rewrite the DIVMODE, MDSM bits during operation processing (while the DIVST bit is 1). If it is rewritten, the operation result will be an undefined value.
 2. The DIVST bit cannot be cleared (0) by using software during division operation processing (while the DIVST bit is 1).

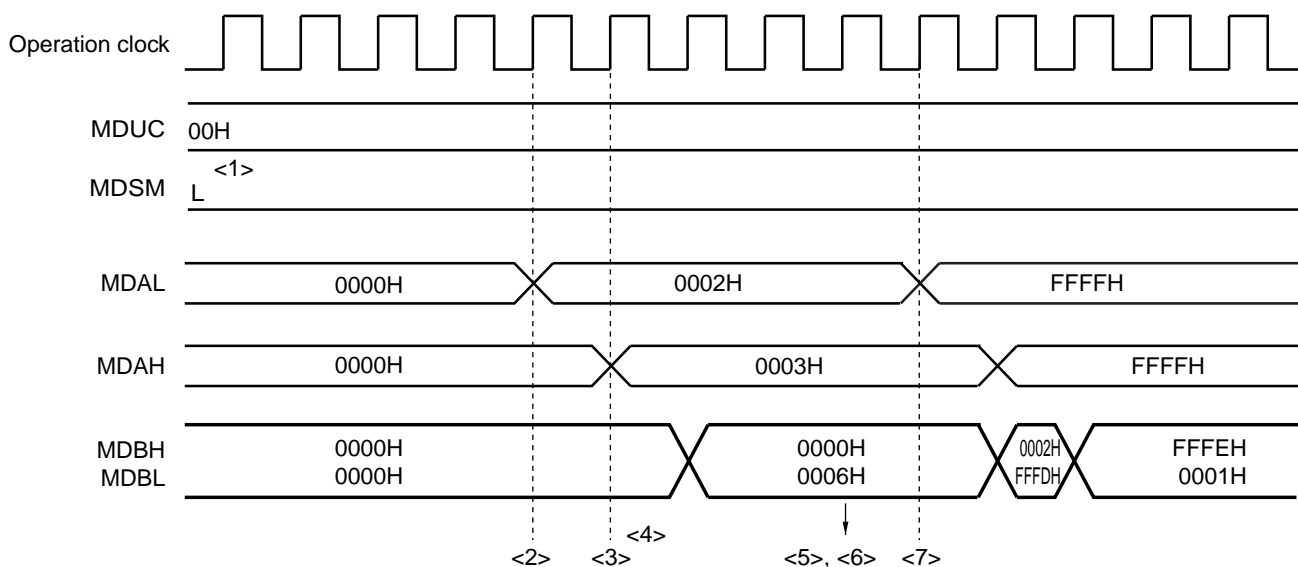
15.4 Operations of Multiplier and Divider/Multiply-Accumulator

15.4.1 Multiplication (unsigned) operation

- Initial setting
 - <1> Set the multiplication/division control register (MDUC) to 00H.
 - <2> Set the multiplicand to multiplication/division data register A (L) (MDAL).
 - <3> Set the multiplier to multiplication/division data register A (H) (MDAH).
(There is no preference in the order of executing steps <2> and <3>. Multiplication operation is automatically started when the multiplier and multiplicand are set to the MDAH and MDAL registers, respectively.)
- During operation processing
 - <4> Wait for at least one clock. The operation will end when one clock has been issued.
- Operation end
 - <5> Read the product (lower 16 bits) from multiplication/division data register B (L) (MDBL).
 - <6> Read the product (higher 16 bits) from multiplication/division data register B (H) (MDBH).
(There is no preference in the order of executing steps <5> and <6>.)
- Next operation
 - <7> The next time multiplication, division, or multiply-accumulation is performed, start with the initial settings of each step.

Remark Steps <1> to <7> correspond to <1> to <7> in Figure 15-6.

Figure 15-6. Timing Diagram of Multiplication (Unsigned) Operation (2 × 3 = 6)



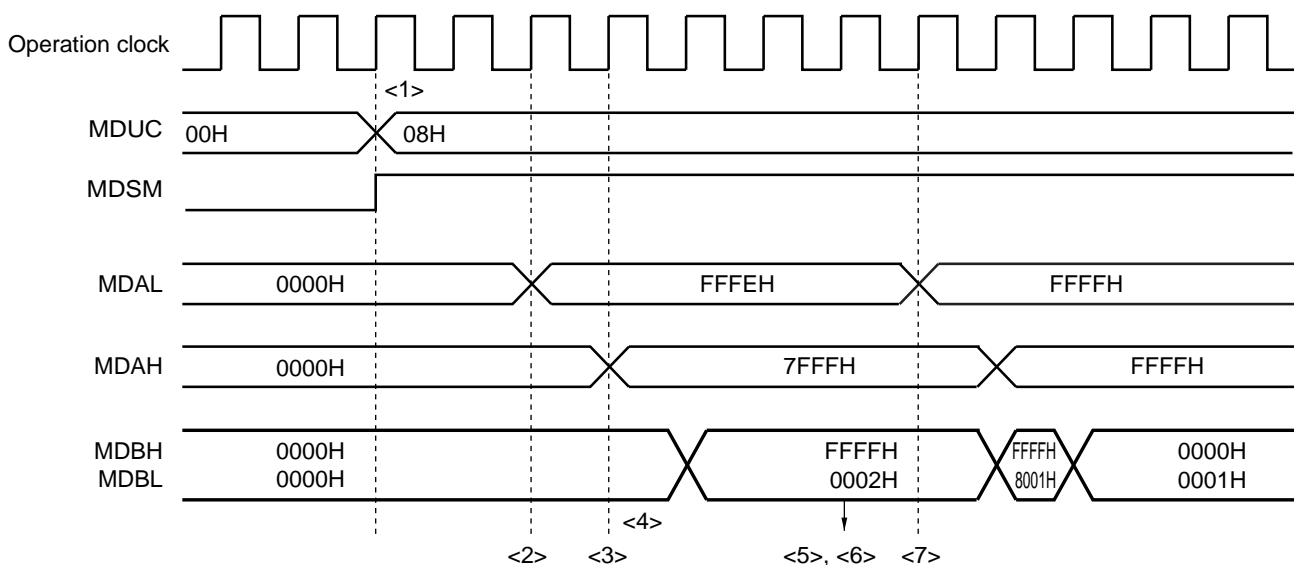
15.4.2 Multiplication (signed) operation

- Initial setting
 - <1> Set the multiplication/division control register (MDUC) to 08H.
 - <2> Set the multiplicand to multiplication/division data register A (L) (MDAL).
 - <3> Set the multiplier to multiplication/division data register A (H) (MDAH).
 (There is no preference in the order of executing steps <2> and <3>. Multiplication operation is automatically started when the multiplier and multiplicand are set to the MDAH and MDAL registers, respectively.)
- During operation processing
 - <4> Wait for at least one clock. The operation will end when one clock has been issued.
- Operation end
 - <5> Read the product (lower 16 bits) from multiplication/division data register B (L) (MDBL).
 - <6> Read the product (higher 16 bits) from multiplication/division data register B (H) (MDBH).
 (There is no preference in the order of executing steps <5> and <6>.)
- Next operation
 - <7> The next time multiplication, division, or multiply-accumulation is performed, start with the initial settings of each step.

Caution The data is in the two's complement format in multiplication mode (signed).

Remark Steps <1> to <7> correspond to <1> to <7> in Figure 15-7.

Figure 15-7. Timing Diagram of Multiplication (Signed) Operation ($-2 \times 32767 = -65534$)

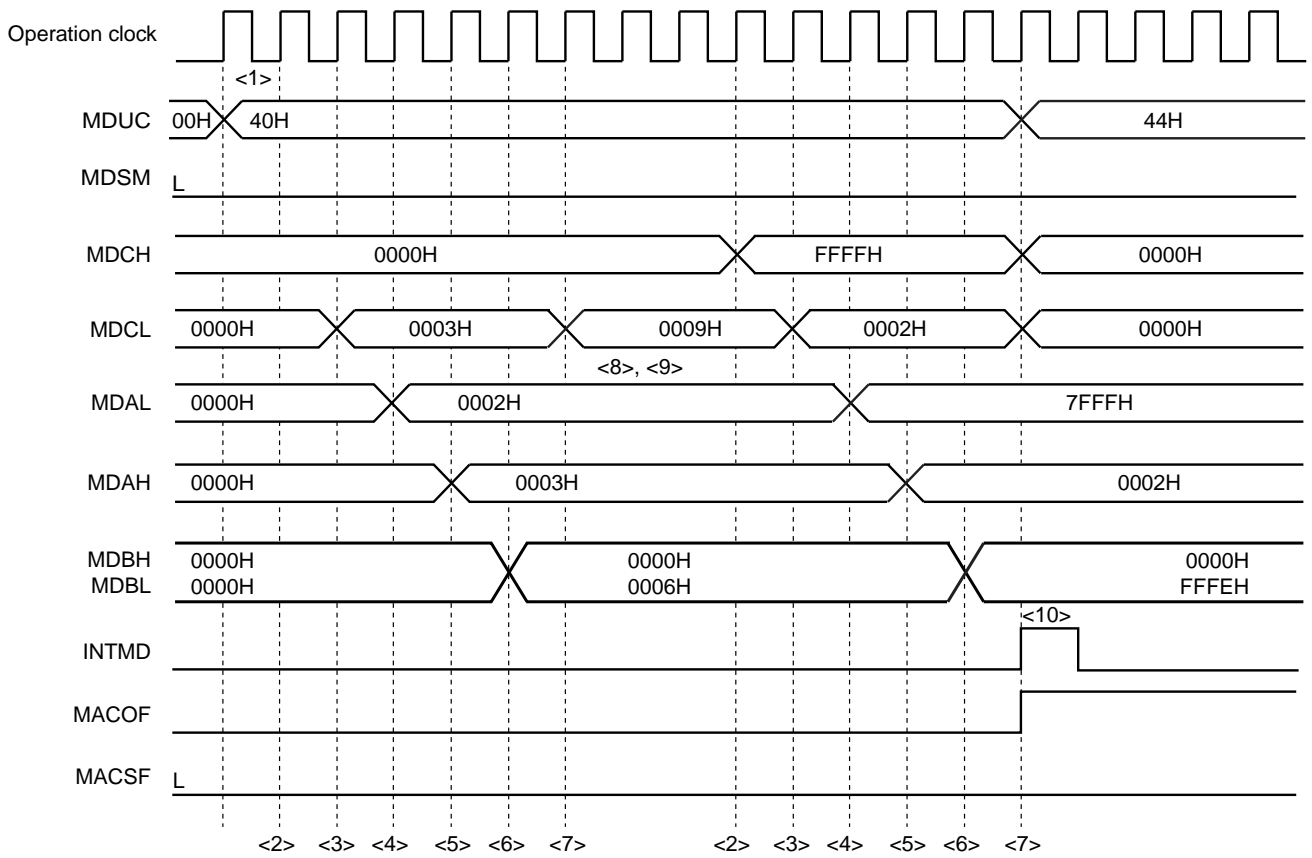


15.4.3 Multiply-accumulation (unsigned) operation

- Initial setting
 - <1> Set the multiplication/division control register (MDUC) to 40H.
 - <2> Set the initial accumulated value of higher 16 bits to multiplication/division data register C (L) (MDCL).
 - <3> Set the initial accumulated value of lower 16 bits to multiplication/division data register C (H) (MDCH).
 - <4> Set the multiplicand to multiplication/division data register A (L) (MDAL).
 - <5> Set the multiplier to multiplication/division data register A (H) (MDAH).
(There is no preference in the order of executing steps <2>, <3>, and <4>. Multiplication operation is automatically started when the multiplier is set to the MDAH register, respectively.)
- During operation processing
 - <6> The multiplication operation finishes in one clock cycle.
(The multiplication result is stored in multiplication/division data register B (L) (MDBL) and multiplication/division data register B (H) (MDBH).)
 - <7> After <6>, the multiply-accumulation operation finishes in one additional clock cycle. (There is a wait of at least two clock cycles after specifying the initial settings is finished (<5>.)
- Operation end
 - <8> Read the accumulated value (lower 16 bits) from the MDCL register.
 - <9> Read the accumulated value (higher 16 bits) from the MDCH register.
(There is no preference in the order of executing steps <8> and <9>.)
 - (<10> If the result of the multiply-accumulation operation causes an overflow, the MACOF bit is set to 1, INTMD signal is occurred.)
- Next operation
 - <11> The next time multiplication, division, or multiply-accumulation is performed, start with the initial settings of each step.

Remark Steps <1> to <10> correspond to <1> to <10> in Figure 15-8.

Figure 15-8. Timing Diagram of Multiply-Accumulation (Unsigned) Operation
 $(2 \times 3 + 3 = 9 \rightarrow 32767 \times 2 + 4294901762 = 0 \text{ (over flow generated)})$



15.4.4 Multiply-accumulation (signed) operation

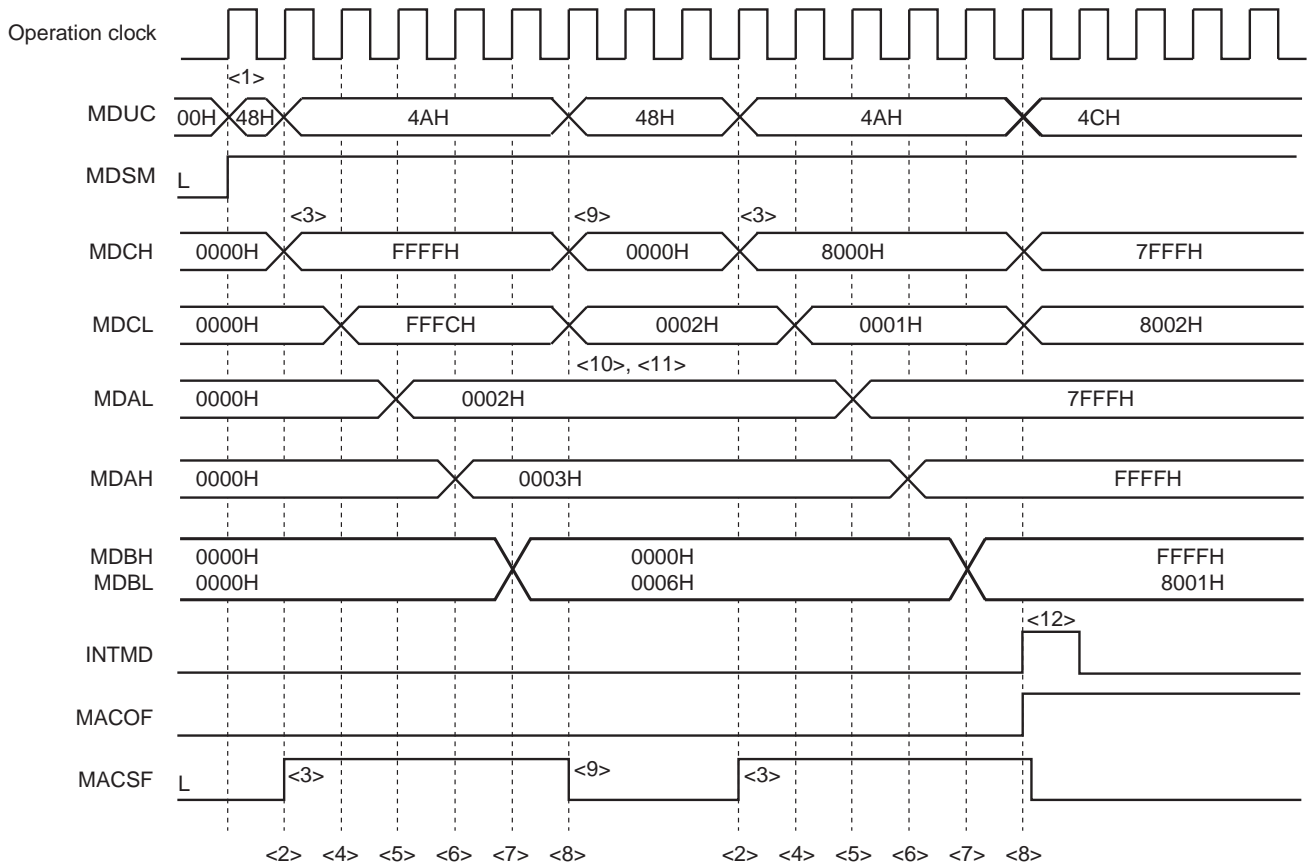
- Initial setting
 - <1> Set the multiplication/division control register (MDUC) to 48H.
 - <2> Set the initial accumulated value of higher 16 bits to multiplication/division data register C (H) (MDCH).
(<3> If the accumulated value in the MDCH register is negative, the MACSF bit is set to 1.)
 - <4> Set the initial accumulated value of lower 16 bits to multiplication/division data register C (L) (MDCL).
 - <5> Set the multiplicand to multiplication/division data register A (L) (MDAL).
 - <6> Set the multiplier to multiplication/division data register A (H) (MDAH).
(There is no preference in the order of executing steps <2>, <4>, and <5>. Multiplication operation is automatically started when the multiplier is set to the MDAH register, respectively.)
- During operation processing
 - <7> The multiplication operation finishes in one clock cycle.
(The multiplication result is stored in multiplication/division data register B (L) (MDBL) and multiplication/division data register B (H) (MDBH).)
 - <8> After <7>, the multiply-accumulation operation finishes in one additional clock cycle. (There is a wait of at least two clock cycles after specifying the initial settings is finished (<6>).)
- Operation end
 - <9> If the accumulated value stored in the MDCL and MDCH registers is positive, the MACSF bit is cleared to 0.
 - <10> Read the accumulated value (lower 16 bits) from the MDCL register.
 - <11> Read the accumulated value (higher 16 bits) from the MDCH register.
(There is no preference in the order of executing steps <10> and <11>.)
 - (<12> If the result of the multiply-accumulation operation causes an overflow, the MACOF bit is set to 1, INTMD signal is occurred.)
- Next operation
 - <R> <13> Start with the initial settings of each step to change the operation mode. When the same operation mode is used sequentially, settings <1> to <5> can be omitted.

Caution The data is in the two's complement format in multiply-accumulation (signed) operation.

Remark Steps <1> to <12> correspond to <1> to <12> in Figure 15-9.

<R>

Figure 15-9. Timing Diagram of Multiply-Accumulation (signed) Operation
 $(2 \times 3 + (-4) = 2 \rightarrow 32767 \times (-1) + (-2147483647) = -2147450882$ (overflow occurs.))

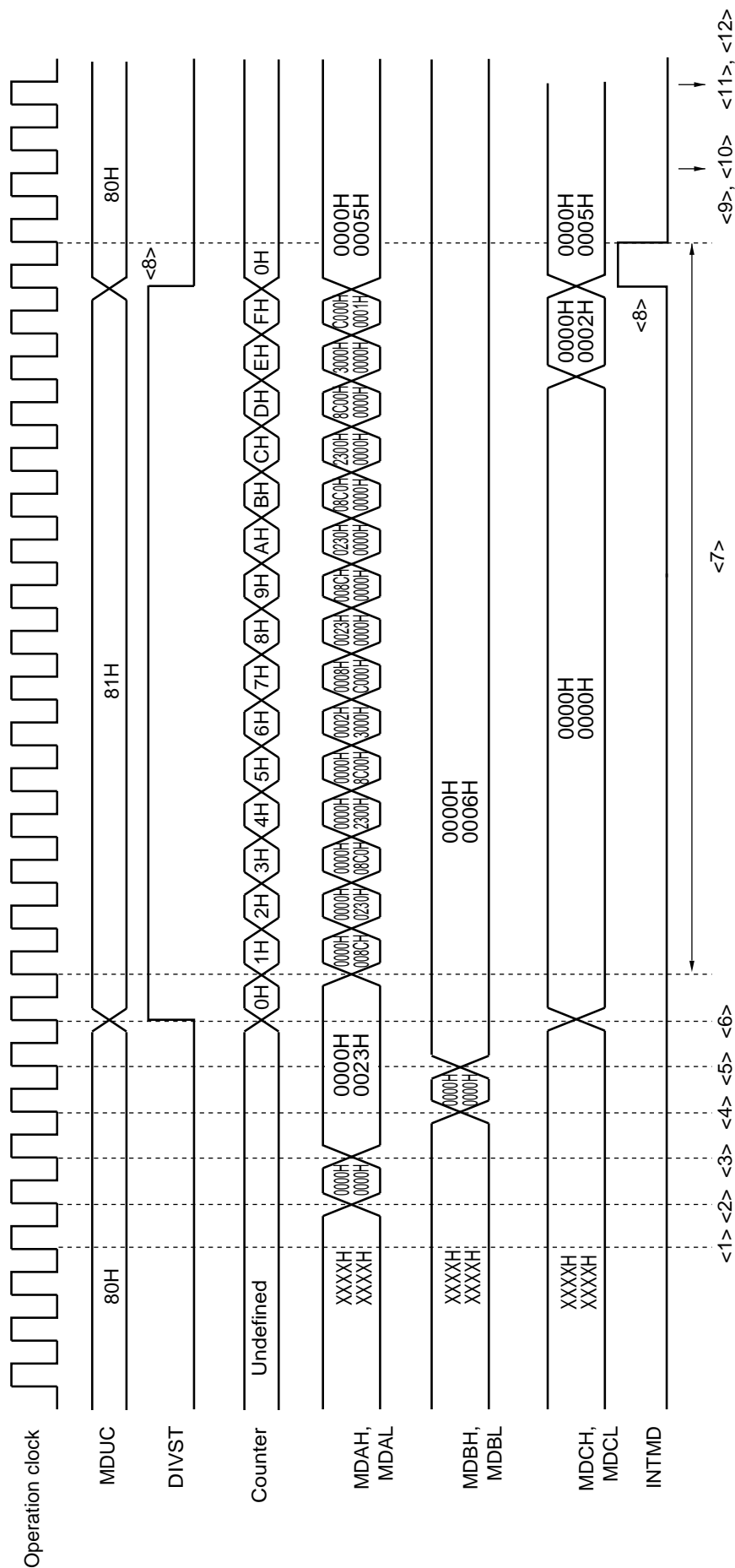


15.4.5 Division operation

- Initial setting
 - <1> Set the multiplication/division control register (MDUC) to 80H.
 - <2> Set the dividend (higher 16 bits) to multiplication/division data register A (H) (MDAH).
 - <3> Set the dividend (lower 16 bits) to multiplication/division data register A (L) (MDAL).
 - <4> Set the divisor (higher 16 bits) to multiplication/division data register B (H) (MDBH).
 - <5> Set the divisor (lower 16 bits) to multiplication/division data register B (L) (MDBL).
 - <6> Set bit 0 (DIVST) of the MDUC register to 1.
(There is no preference in the order of executing steps <2> to <5>.)
- During operation processing
 - <7> The operation will end when one of the following processing is completed.
 - A wait of at least 16 clocks (The operation will end when 16 clocks have been issued.)
 - A check whether the DIVST bit has been cleared
(The read values of the MDBL, MDBH, MDCL, and MDCH registers during operation processing are not guaranteed.)
- Operation end
 - <8> The DIVST bit is cleared and the operation ends. At this time, an interrupt request signal (INTMD) is generated if the operation was performed with MACMODE = 0.
 - <9> Read the quotient (lower 16 bits) from the MDAL register.
 - <10> Read the quotient (higher 16 bits) from the MDAH register.
 - <11> Read the remainder (lower 16 bits) from multiplication/division data register C (L) (MDCL).
 - <12> Read the remainder (higher 16 bits) from multiplication/division data register C (H) (MDCH).
(There is no preference in the order of executing steps <9> to <12>.)
- Next operation
 - <R> <13> Start with the initial settings of each step to change the operation mode. When the same operation mode is used sequentially, settings <1> to <5> can be omitted.

Remark Steps <1> to <12> correspond to <1> to <12> in Figure 15-10.

Figure 15-10. Timing Diagram of Division Operation (Example: 35 ÷ 6 = 5, Remainder 5)



CHAPTER 16 DMA CONTROLLER

The RL78/L12 has an internal DMA (Direct Memory Access) controller.

Data can be automatically transferred between the peripheral hardware supporting DMA, SFRs, and internal RAM without via CPU.

As a result, the normal internal operation of the CPU and data transfer can be executed in parallel with transfer between the SFR and internal RAM, and therefore, a large capacity of data can be processed. In addition, real-time control using communication, timer, and A/D can also be realized.

16.1 Functions of DMA Controller

- Number of DMA channels: 2 channels
- Transfer unit: 8 or 16 bits
- Maximum transfer unit: 1024 times
- Transfer type: 2-cycle transfer (One transfer is processed in 2 clocks and the CPU stops during that processing.)
- Transfer mode: Single-transfer mode
- Transfer request: Selectable from the following peripheral hardware interrupts
 - A/D converter
 - Serial interface
(CSI00, CSI01, UART0)
 - Timer (channel 0, 1, 2, 3)
- Transfer target: Between SFR and internal RAM

Here are examples of functions using DMA.

- Successive transfer of serial interface
- <R> • Consecutive capturing of A/D conversion results
- Capturing A/D conversion result at fixed interval
- Capturing port value at fixed interval

16.2 Configuration of DMA Controller

The DMA controller includes the following hardware.

Table 16-1. Configuration of DMA Controller

Item	Configuration
Address registers	<ul style="list-style-type: none"> • DMA SFR address registers 0, 1 (DSA0, DSA1) • DMA RAM address registers 0, 1 (DRA0, DRA1)
Count register	<ul style="list-style-type: none"> • DMA byte count registers 0, 1 (DBC0, DBC1)
Control registers	<ul style="list-style-type: none"> • DMA mode control registers 0, 1 (DMC0, DMC1) • DMA operation control register 0, 1 (DRC0, DRC1)

16.2.1 DMA SFR address register n (DSAn)

This is an 8-bit register that is used to set an SFR address that is the transfer source or destination of DMA channel n. Set the lower 8 bits of the SFR addresses FFF00H to FFFFFH.

This register is not automatically incremented but fixed to a specific value.

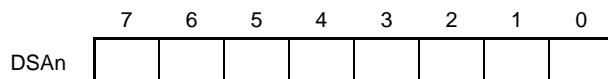
In the 16-bit transfer mode, the least significant bit is ignored and is treated as an even address.

The DSAn register can be read or written in 8-bit units. However, it cannot be written during DMA transfer.

Reset signal generation clears this register to 00H.

Figure 16-1. Format of DMA SFR Address Register n (DSAn)

Address: FFFB0H (DSA0), FFFB1H (DSA1) After reset: 00H R/W



Remark n: DMA channel number (n = 0, 1)

16.2.2 DMA RAM address register n (DRAn)

This is a 16-bit register that is used to set a RAM address that is the transfer source or destination of DMA channel n. Addresses of the internal RAM area other than the general-purpose registers can be set to this register.

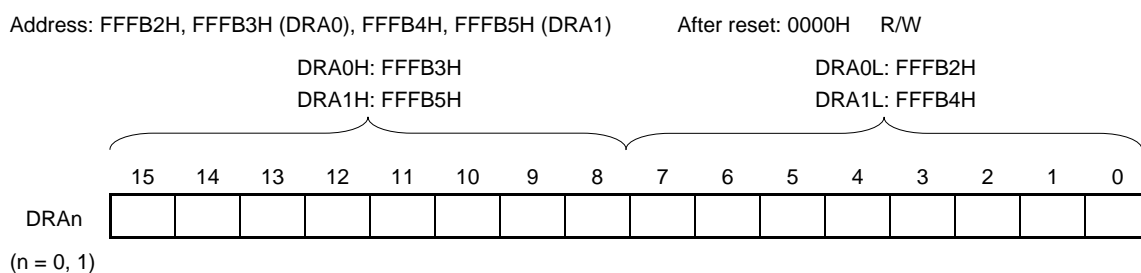
Set the lower 16 bits of the RAM address.

This register is automatically incremented when DMA transfer has been started. It is incremented by +1 in the 8-bit transfer mode and by +2 in the 16-bit transfer mode. DMA transfer is started from the address set to this DRAn register. When the data of the last address has been transferred, the DRAn register stops with the value of the last address +1 in the 8-bit transfer mode, and the last address +2 in the 16-bit transfer mode.

In the 16-bit transfer mode, the least significant bit is ignored and is treated as an even address.

The DRAn register can be read or written in 8-bit or 16-bit units. However, it cannot be written during DMA transfer. Reset signal generation clears this register to 0000H.

Figure 16-2. Format of DMA RAM Address Register n (DRAn)



Remark n: DMA channel number (n = 0, 1)

16.3 Registers Controlling DMA Controller

DMA controller is controlled by the following registers.

- DMA mode control register n (DMCn)
- DMA operation control register n (DRCn)

Remark n: DMA channel number (n = 0, 1)

16.3.1 DMA mode control register n (DMCn)

The DMCn register is a register that is used to set a transfer mode of DMA channel n. It is used to select a transfer direction, data size, setting of pending, and start source. Bit 7 (STGn) is a software trigger that starts DMA.

Rewriting bits 6, 5, and 3 to 0 of the DMCn register is prohibited during operation (when DSTn = 1).

The DMCn register can be set by a 1-bit or 8-bit memory manipulation instruction.

Reset signal generation clears this register to 00H.

Figure 16-4. Format of DMA Mode Control Register n (DMCn) (1/2)

Address: FFFBAH (DMC0), FFFBBH (DMC1) After reset: 00H R/W

Symbol	<7>	<6>	<5>	<4>	3	2	1	0
DMCn	STGn	DRSn	DSn	DWAITn	IFCn3	IFCn2	IFCn1	IFCn0
STGn ^{Note 1}	DMA transfer start software trigger							
0	No trigger operation							
1	DMA transfer is started when DMA operation is enabled (DENn = 1).							
DMA transfer is performed once by writing 1 to the STGn bit when DMA operation is enabled (DENn = 1). When this bit is read, 0 is always read.								
DRSn	Selection of DMA transfer direction							
0	SFR to internal RAM							
1	Internal RAM to SFR							
DSn	Specification of transfer data size for DMA transfer							
0	8 bits							
1	16 bits							
DWAITn ^{Note 2}	Pending of DMA transfer							
0	Executes DMA transfer upon DMA start request (not held pending).							
1	Holds DMA start request pending if any.							
DMA transfer that has been held pending can be started by clearing the value of the DWAITn bit to 0. It takes 2 clocks to actually hold DMA transfer pending when the value of the DWAITn bit is set to 1.								

- Notes**
1. The software trigger (STGn) can be used regardless of the IFCn0 to IFCn3 bits values.
 2. When DMA transfer is held pending while using both DMA channels, be sure to hold the DMA transfer pending for both channels (by setting the DWAIT0 and DWAIT1 bits to 1).

Remark n: DMA channel number (n = 0, 1)

Figure 16-4. Format of DMA Mode Control Register n (DMCn) (2/2)

Address: FFFBAH (DMC0), FFFBBH (DMC1) After reset: 00H R/W

Symbol	<7>	<6>	<5>	<4>	3	2	1	0
DMCn	STGn	DRSn	DSn	DWAITn	IFCn3	IFCn2	IFCn1	IFCn0

(When n = 0 or 1)

IFCn 3	IFCn 2	IFCn 1	IFCn 0	Selection of DMA start source ^{Note}	
				Trigger signal	Trigger contents
0	0	0	0	–	Disables DMA transfer by interrupt. (Only software trigger is enabled.)
0	0	0	1	INTAD	A/D conversion end interrupt
0	0	1	0	INTTM00	End of timer channel 0 count or capture end interrupt
0	0	1	1	INTTM01	End of timer channel 1 count or capture end interrupt
0	1	0	0	INTTM02	End of timer channel 2 count or capture end interrupt
0	1	0	1	INTTM03	End of timer channel 3 count or capture end interrupt
0	1	1	0	INTST0/INTCSI00	UART0 transmission transfer end/ CSI00 transfer end or buffer empty interrupt
0	1	1	1	INTSR0/INTCSI01	UART0 reception transfer end interrupt/ CSI01 transfer end or buffer empty interrupt
Other than above				Setting prohibited	

Note The software trigger (STGn) can be used regardless of the IFCn0 to IFCn3 bits values.

Remark n: DMA channel number (n = 0, 1)

16.3.2 DMA operation control register n (DRCn)

The DRCn register is a register that is used to enable or disable transfer of DMA channel n. Rewriting bit 7 (DENn) of this register is prohibited during operation (when DSTn = 1). The DRCn register can be set by a 1-bit or 8-bit memory manipulation instruction. Reset signal generation clears this register to 00H.

Figure 16-5. Format of DMA Operation Control Register n (DRCn)

Address: FFFBCH (DRC0), FFFBDH (DRC1) After reset: 00H R/W

Symbol	<7>	6	5	4	3	2	1	<0>
DRCn	DENn	0	0	0	0	0	0	DSTn

DENn	DMA operation enable flag
0	Disables operation of DMA channel n (stops operating cock of DMA).
1	Enables operation of DMA channel n.
DMAC waits for a DMA trigger when DSTn = 1 after DMA operation is enabled (DENn = 1).	

DSTn	DMA transfer mode flag
0	DMA transfer of DMA channel n is completed.
1	DMA transfer of DMA channel n is not completed (still under execution).
DMAC waits for a DMA trigger when DSTn = 1 after DMA operation is enabled (DENn = 1). When a software trigger (STGn) or the start source trigger set by the IFCn3 to IFCn0 bits is input, DMA transfer is started. When DMA transfer is completed after that, this bit is automatically cleared to 0. Write 0 to this bit to forcibly terminate DMA transfer under execution.	

Caution The DSTn flag is automatically cleared to 0 when a DMA transfer is completed. Writing the DENn flag is enabled only when DSTn = 0. When a DMA transfer is terminated without waiting for generation of the interrupt (INTDMA_n) of DMA_n, therefore, set the DSTn bit to 0 and then the DENn bit to 0 (for details, refer to 16.5.5 Forced termination by software).

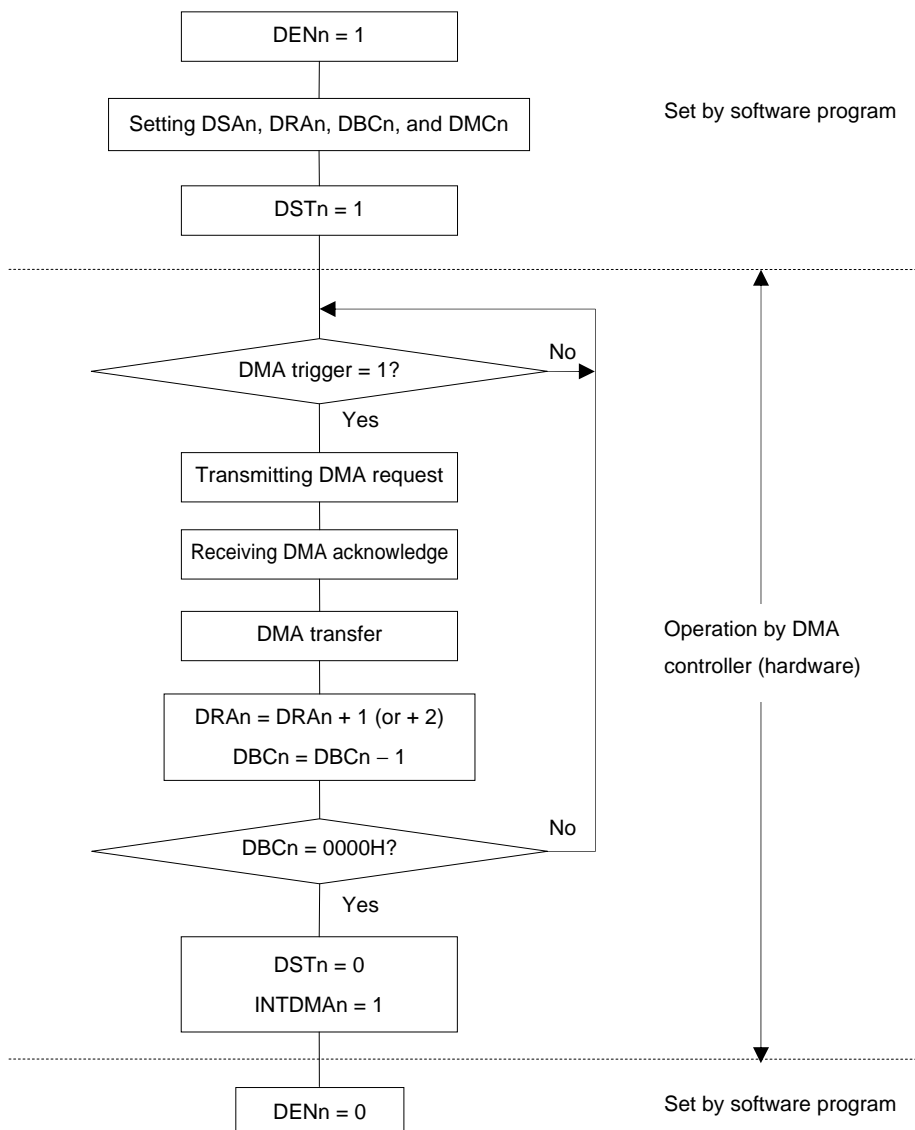
Remark n: DMA channel number (n = 0, 1)

16.4 Operation of DMA Controller

16.4.1 Operation procedure

- <1> The DMA controller is enabled to operate when DENn = 1. Before writing the other registers, be sure to set the DENn bit to 1. Use 80H to write with an 8-bit manipulation instruction.
- <2> Set an SFR address, a RAM address, the number of times of transfer, and a transfer mode of DMA transfer to DMA SFR address register n (DSAn), DMA RAM address register n (DRAn), DMA byte count register n (DBCn), and DMA mode control register n (DMCn).
- <3> The DMA controller waits for a DMA trigger when DSTn = 1. Use 81H to write with an 8-bit manipulation instruction.
- <4> When a software trigger (STGn) or a start source trigger specified by the IFCn3 to IFCn0 bits is input, a DMA transfer is started.
- <5> Transfer is completed when the number of times of transfer set by the DBCn register reaches 0, and transfer is automatically terminated by occurrence of an interrupt (INTDMA_n).
- <6> Stop the operation of the DMA controller by clearing the DENn bit to 0 when the DMA controller is not used.

Figure 16-6. Operation Procedure



Remark n: DMA channel number (n = 0, 1)

16.4.2 Transfer mode

The following four modes can be selected for DMA transfer by using bits 6 and 5 (DRSn and DS_n) of DMA mode control register n (DMCn).

DRSn	DS _n	DMA Transfer Mode
0	0	Transfer from SFR of 1-byte data (fixed address) to RAM (address is incremented by +1)
0	1	Transfer from SFR of 2-byte data (fixed address) to RAM (address is incremented by +2)
1	0	Transfer from RAM of 1-byte data (address is incremented by +1) to SFR (fixed address)
1	1	Transfer from RAM of 2-byte data (address is incremented by +2) to SFR (fixed address)

By using these transfer modes, up to 1024 bytes of data can be consecutively transferred by using the serial interface, data resulting from A/D conversion can be consecutively transferred, and port data can be scanned at fixed time intervals by using a timer.

16.4.3 Termination of DMA transfer

When DBCn = 00H and DMA transfer is completed, the DSTn bit is automatically cleared to 0. An interrupt request (INTDMA_n) is generated and transfer is terminated.

When the DSTn bit is cleared to 0 to forcibly terminate DMA transfer, DMA byte count register n (DBCn) and DMA RAM address register n (DRAn) hold the value when transfer is terminated.

The interrupt request (INTDMA_n) is not generated if transfer is forcibly terminated.

Remark n: DMA channel number (n = 0, 1)

16.5 Example of Setting of DMA Controller

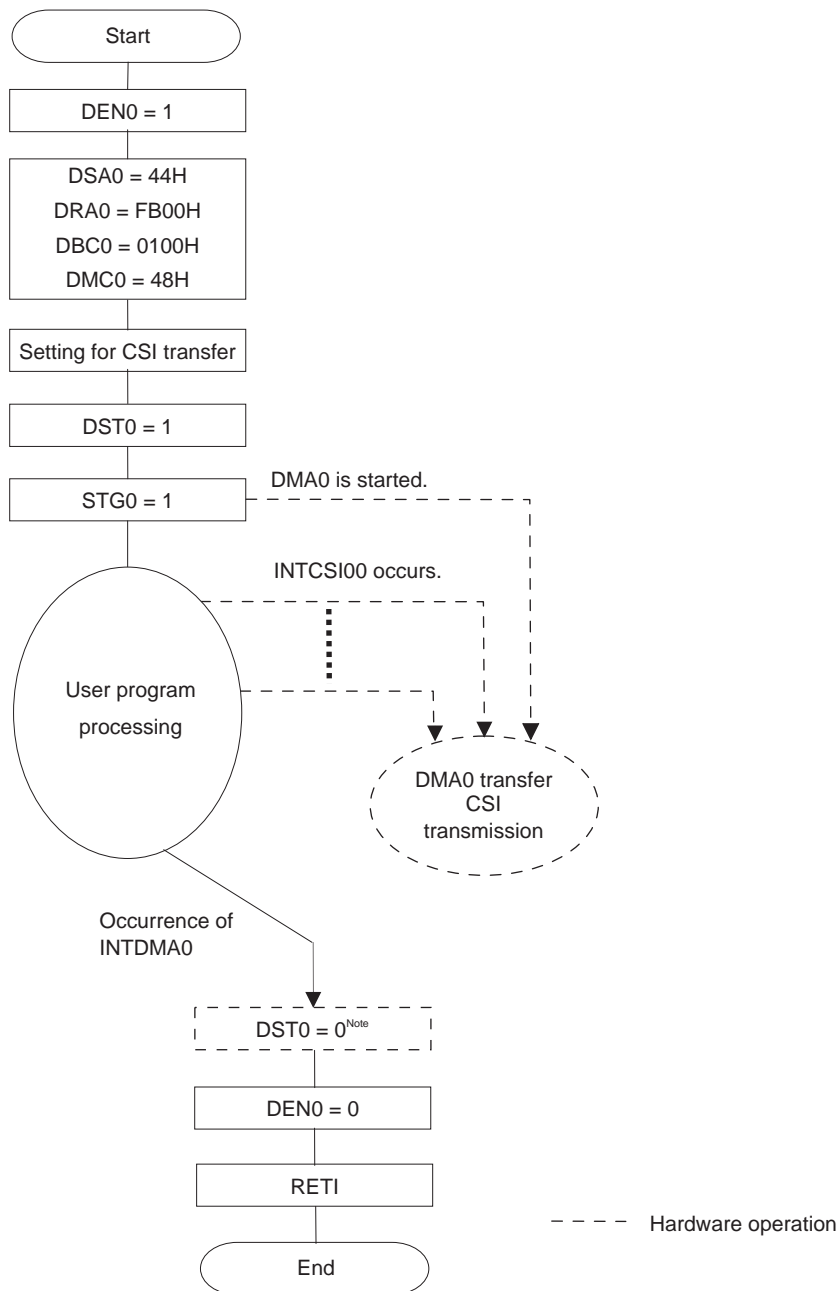
16.5.1 CSI consecutive transmission

A flowchart showing an example of setting for CSI consecutive transmission is shown below.

- Consecutive transmission of CSI00 (256 bytes)
- DMA channel 0 is used for DMA transfer.
- DMA start source: INTCSI00 (software trigger (STG0) only for the first start source)
- Interrupt of CSI00 is specified by IFC03 to IFC00 = 0110B.
- Transfers FFB00H to FFBFFH (256 bytes) of RAM to FFF10H of the data register (SIO00) of CSI.

Remark IFC03 to IFC00: Bits 3 to 0 of DMA mode control registers 0 (DMC0)

Figure 16-7. Example of Setting for CSI Consecutive Transmission



Note The DST0 flag is automatically cleared to 0 when a DMA transfer is completed. Writing the DEN0 flag is enabled only when DST0 = 0. To terminate a DMA transfer without waiting for occurrence of the interrupt of DMA0 (INTDMA0), set the DST0 bit to 0 and then the DEN0 bit to 0 (for details, refer to 16.5.5 Forced termination by software).

The first trigger for consecutive transmission is not started by the interrupt of CSI. In this example, it starts by a software trigger.

CSI transmission of the second time and onward is automatically executed.

A DMA interrupt (INTDMA0) occurs when the last transmit data has been written to the data register.

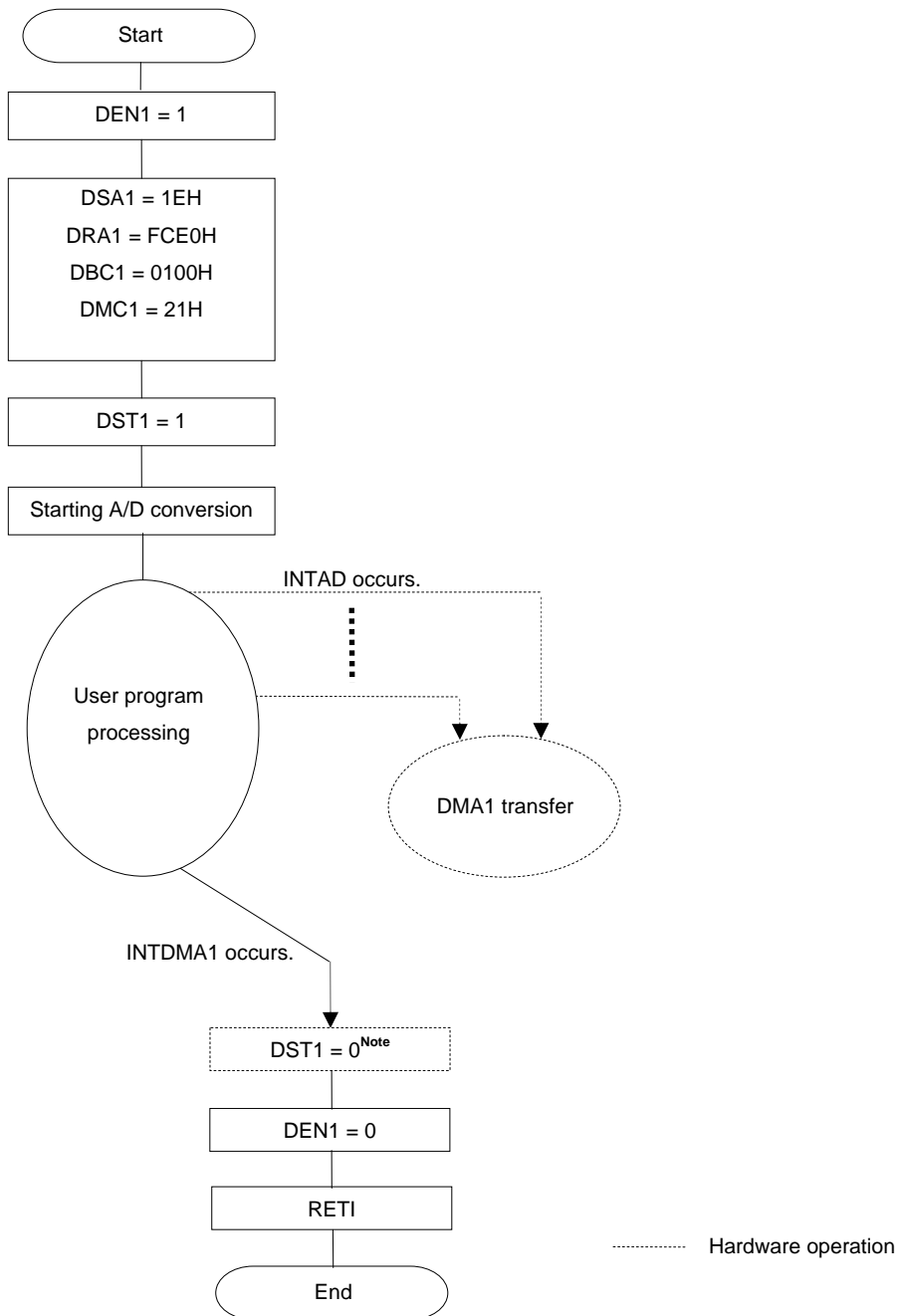
16.5.2 Consecutive capturing of A/D conversion results

A flowchart of an example of setting for consecutively capturing A/D conversion results is shown below.

- Consecutive capturing of A/D conversion results.
- DMA channel 1 is used for DMA transfer.
- DMA start source: INTAD
- Interrupt of A/D is specified by IFC13 to IFC10 = 0001B.
- Transfers FFF1EH and FFF1FH (2 bytes) of the 10-bit A/D conversion result register (ADCR) to 512 bytes of FFCE0H to FFEDFH of RAM.

Remark IFC13 to IFC10: Bits 3 to 0 of DMA mode control registers 1 (DMC1)

Figure 16-8. Example of Setting of Consecutively Capturing A/D Conversion Results



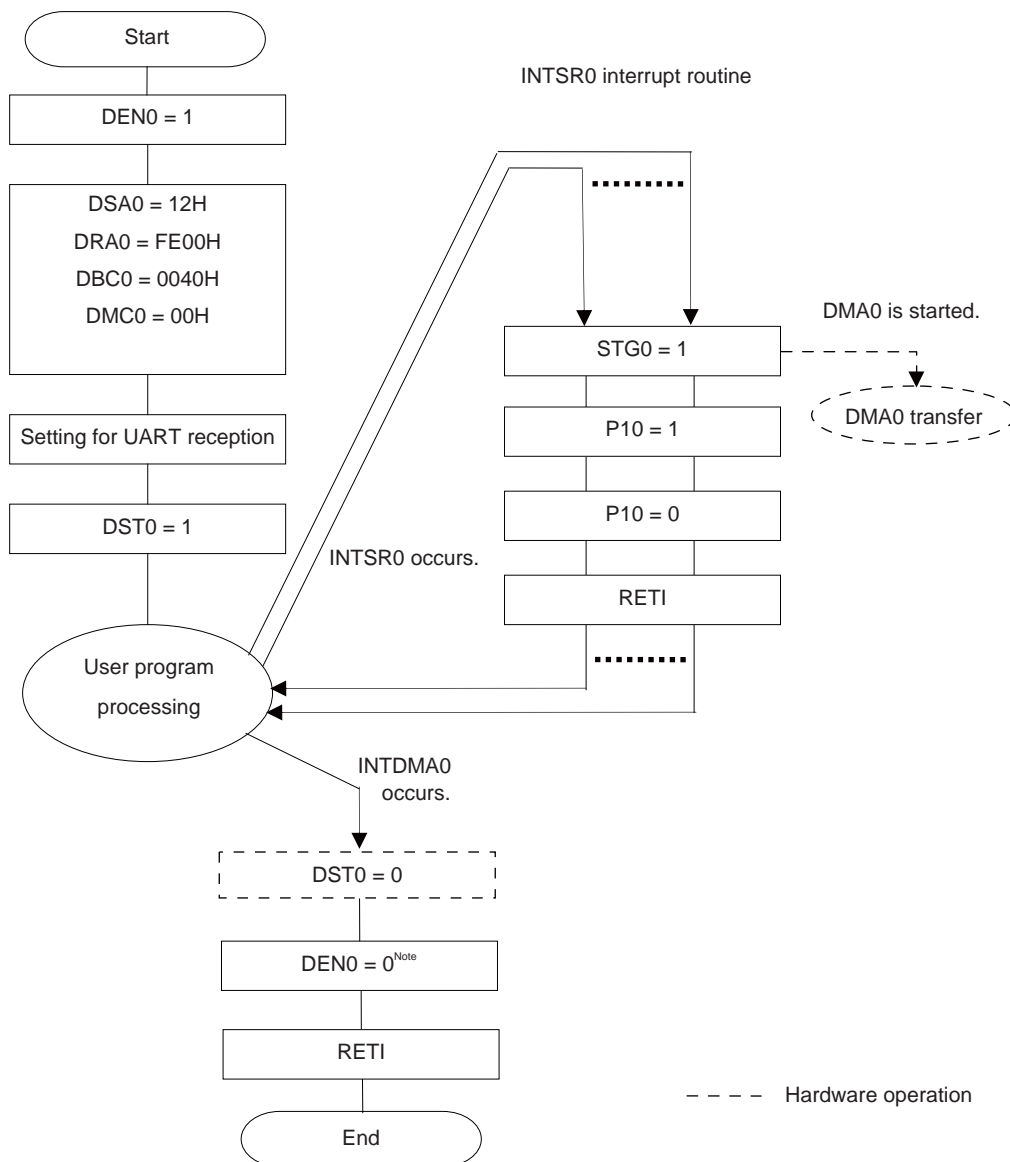
Note The DST1 flag is automatically cleared to 0 when a DMA transfer is completed. Writing the DEN1 flag is enabled only when DST1 = 0. To terminate a DMA transfer without waiting for occurrence of the interrupt of DMA1 (INTDMA1), set the DST1 bit to 0 and then the DEN1 bit to 0 (for details, refer to 16.5.5 Forced termination by software).

16.5.3 UART consecutive reception + ACK transmission

A flowchart illustrating an example of setting for UART consecutive reception + ACK transmission is shown below.

- Consecutively receives data from UART0 and outputs ACK to P10 on completion of reception.
- DMA channel 0 is used for DMA transfer.
- DMA start source: Software trigger (DMA transfer on occurrence of an interrupt is disabled.)
- Transfers FFF12H of UART receive data register 0 (RXD0) to 64 bytes of FFE00H to FFE3FH of RAM.

<R> **Figure 16-9. Example of Setting for UART Consecutive Reception + ACK Transmission**



Note The DST0 flag is automatically cleared to 0 when a DMA transfer is completed. Writing the DEN0 flag is enabled only when DST0 = 0. To terminate a DMA transfer without waiting for occurrence of the interrupt of DMA0 (INTDMA0), set the DST0 bit to 0 and then the DEN0 bit to 0 (for details, refer to **16.5.5 Forced termination by software**).

Remark This is an example where a software trigger is used as a DMA start source. If ACK is not transmitted and if only data is consecutively received from UART, the UART reception end interrupt (INTSR0) can be used to start DMA for data reception.

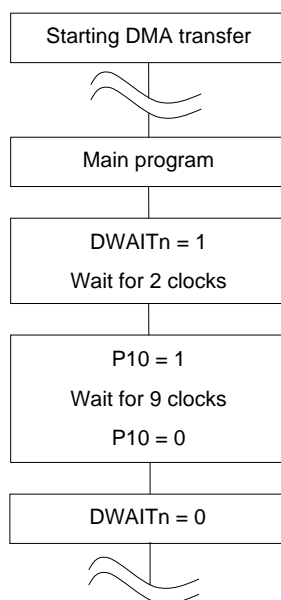
16.5.4 Holding DMA transfer pending by DWAITn bit

When DMA transfer is started, transfer is performed while an instruction is executed. At this time, the operation of the CPU is stopped and delayed for the duration of 2 clocks. If this poses a problem to the operation of the set system, a DMA transfer can be held pending by setting the DWAITn bit to 1. The DMA transfer for a transfer trigger that occurred while DMA transfer was held pending is executed after the pending status is canceled. However, because only one transfer trigger can be held pending for each channel, even if multiple transfer triggers occur for one channel during the pending status, only one DMA transfer is executed after the pending status is canceled.

To output a pulse with a width of 10 clocks of the operating frequency from the P10 pin, for example, the clock width increases to 12 if a DMA transfer is started midway. In this case, the DMA transfer can be held pending by setting the DWAITn bit to 1.

After setting the DWAITn bit to 1, it takes two clocks until a DMA transfer is held pending.

Figure 16-10. Example of Setting for Holding DMA Transfer Pending by DWAITn Bit



Caution When DMA transfer is held pending while using both DMA channels, be sure to held the DMA transfer pending for both channels (by setting DWAIT0 and DWAIT1 to 1). If the DMA transfer of one channel is executed while that of the other channel is held pending, DMA transfer might not be held pending for the latter channel.

- Remarks**
1. n: DMA channel number (n = 0, 1)
 2. 1 clock: $1/f_{CLK}$ (f_{CLK} : CPU clock)

16.5.5 Forced termination by software

After the DSTn bit is set to 0 by software, it takes up to 2 clocks until a DMA transfer is actually stopped and the DSTn bit is set to 0. To forcibly terminate a DMA transfer by software without waiting for occurrence of the interrupt (INTDMA_n) of DMA_n, therefore, perform either of the following processes.

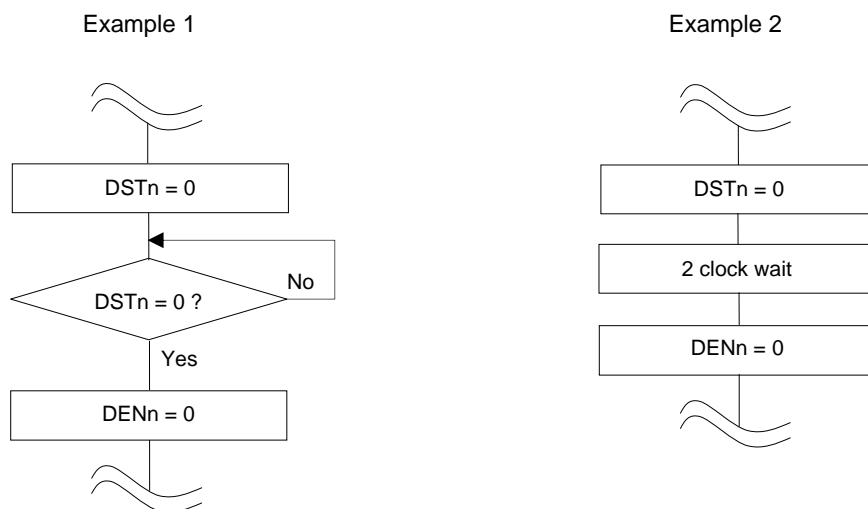
<When using one DMA channel>

- Set the DSTn bit to 0 (use DRCn = 80H to write with an 8-bit manipulation instruction) by software, confirm by polling that the DSTn bit has actually been cleared to 0, and then set the DENn bit to 0 (use DRCn = 00H to write with an 8-bit manipulation instruction).
- Set the DSTn bit to 0 (use DRCn = 80H to write with an 8-bit manipulation instruction) by software and then set the DENn bit to 0 (use DRCn = 00H to write with an 8-bit manipulation instruction) two or more clocks after.

<When using two or more DMA channels>

- To forcibly terminate DMA transfer by software when using both DMA channels (by setting DSTn to 0), clear the DSTn bit to 0 after the DMA transfer is held pending by setting the DWAIT0 and DWAIT1 bits of both channels to 1. Next, clear the DWAIT0 and DWAIT1 bits of both channels to 0 to cancel the pending status, and then clear the DENn bit to 0.

Figure 16-11. Forced Termination of DMA Transfer (1/2)



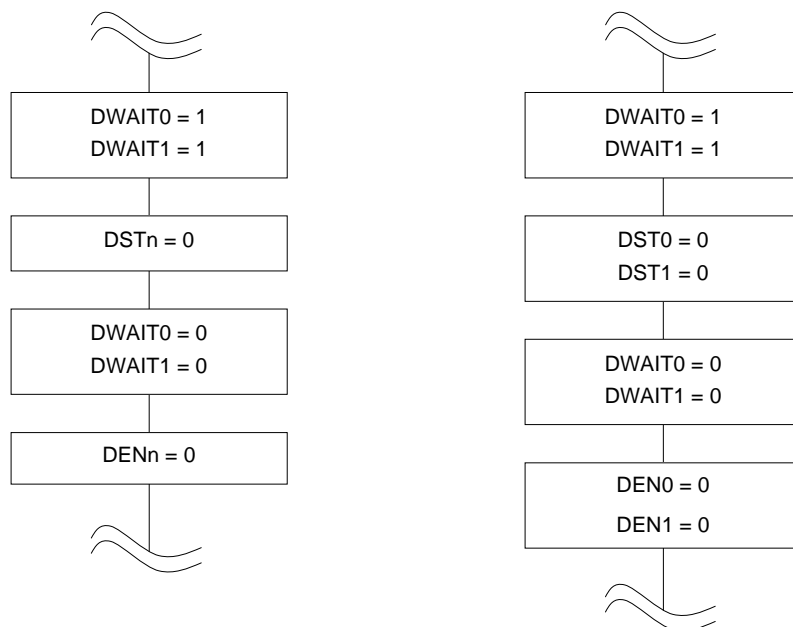
- Remarks**
1. n: DMA channel number (n = 0, 1)
 2. 1 clock: 1/f_{CLK} (f_{CLK}: CPU clock)

Figure 16-11. Forced Termination of DMA Transfer (2/2)

Example 3

- Procedure for forcibly terminating the DMA transfer for one channel if both channels are used

- Procedure for forcibly terminating the DMA transfer for both channels if both channels are used



Caution In example 3, the system is not required to wait two clock cycles after the DWAITn bit is set to 1. In addition, the system does not have to wait two clock cycles after clearing the DSTn bit to 0, because more than two clock cycles elapse from when the DSTn bit is cleared to 0 to when the DENn bit is cleared to 0.

- Remarks**
1. n: DMA channel number (n = 0, 1)
 2. 1 clock: $1/f_{CLK}$ (f_{CLK} : CPU clock)

16.6 Cautions on Using DMA Controller

(1) Priority of DMA

During DMA transfer, a request from the other DMA channel is held pending even if generated. The pending DMA transfer is started after the ongoing DMA transfer is completed. If two or more DMA requests are generated at the same time, however, their priority are DMA channel 0 > DMA channel 1.

If a DMA request and an interrupt request are generated at the same time, the DMA transfer takes precedence, and then interrupt servicing is executed.

(2) DMA response time

The response time of DMA transfer is as follows.

Table 16-2. Response Time of DMA Transfer

	Minimum Time	Maximum Time
Response time	3 clocks	10 clocks ^{Note}

Note The maximum time necessary to execute an instruction from internal RAM is 16 clock cycles.

Cautions 1. The above response time does not include the two clock cycles required for a DMA transfer.

2. When executing a DMA pending instruction (see 16.6 (4)), the maximum response time is extended by the execution time of that instruction to be held pending.

3. Do not specify successive transfer triggers for a channel within a period equal to the maximum response time plus one clock cycle, because they might be ignored.

Remark 1 clock: 1/f_{CLK} (f_{CLK}: CPU clock)

(3) Operation in standby mode

The DMA controller operates as follows in the standby mode.

Table 16-3. DMA Operation in Standby Mode

Status	DMA Operation
HALT mode	Normal operation
STOP mode	Stops operation. If DMA transfer and STOP instruction execution contend, DMA transfer may be damaged. Therefore, stop DMA before executing the STOP instruction.

(4) DMA pending instruction

Even if a DMA request is generated, DMA transfer is held pending immediately after the following instructions.

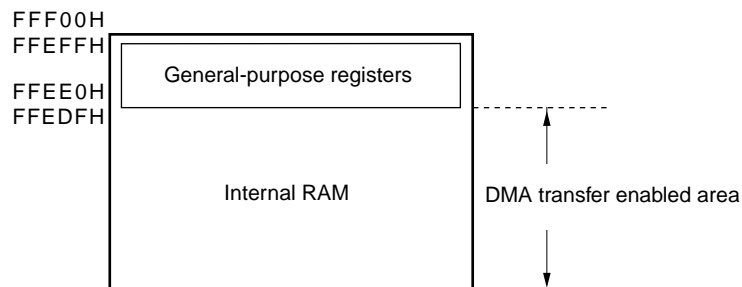
- CALL !addr16
- CALL \$!addr20
- CALL !!addr20
- CALL rp
- CALLT [addr5]
- BRK
- Bit manipulation instructions for registers IF0L, IF0H, IF1L, IF1H, IF2L, MK0L, MK0H, MK1L, MK1H, MK2L, PR00L, PR00H, PR01L, PR01H, PR02L, PR10L, PR10H, PR11L, PR11H, PR12L, and PSW each.
- Instruction for accessing the data flash memory

(5) Operation if address in general-purpose register area or other than those of internal RAM area is specified

The address indicated by DMA RAM address register n (DRAn) is incremented during DMA transfer. If the address is incremented to an address in the general-purpose register area or exceeds the area of the internal RAM, the following operation is performed.

- In mode of transfer from SFR to RAM
The data of that address is lost.
- In mode of transfer from RAM to SFR
Undefined data is transferred to SFR.

In either case, malfunctioning may occur or damage may be done to the system. Therefore, make sure that the address is within the internal RAM area other than the general-purpose register area.

**(6) Operation if instructions for accessing the data flash area**

- Because DMA transfer is suspended to access to the data flash area, be sure to add the DMA pending instruction.

If the data flash area is accessed after an next instruction execution from start of DMA transfer, a 3-clock wait will be inserted to the next instruction.

Instruction 1

DMA transfer

Instruction 2 ← The wait of three clock cycles occurs.

MOV A, ! DataFlash area

CHAPTER 17 INTERRUPT FUNCTIONS

The interrupt function switches the program execution to other processing. When the branch processing is finished, the program returns to the interrupted processing.

The number of interrupt sources differs, depending on the product.

		32-pin	44-pin	48-pin	52-pin	64-pin
Maskable interrupts	External	4	6	7	7	9
	Internal	23	23	23	23	23

17.1 Interrupt Function Types

The following two types of interrupt functions are used.

(1) Maskable interrupts

These interrupts undergo mask control. Maskable interrupts can be divided into four priority groups by setting the priority specification flag registers (PR00L, PR00H, PR01L, PR01H, PR02L, PR10L, PR10H, PR11L, PR11H, PR12L). Multiple interrupt servicing can be applied to low-priority interrupts when high-priority interrupts are generated. If two or more interrupt requests, each having the same priority, are simultaneously generated, then they are processed according to the priority of vectored interrupt servicing. For the priority order, see **Table 17-1**.

A standby release signal is generated and STOP, HALT, and SNOOZE modes are released.

External interrupt requests and internal interrupt requests are provided as maskable interrupts.

(2) Software interrupt

This is a vectored interrupt generated by executing the BRK instruction. It is acknowledged even when interrupts are disabled. The software interrupt does not undergo interrupt priority control.

17.2 Interrupt Sources and Configuration

Interrupt sources include maskable interrupts and software interrupts. In addition, they also have up to seven reset sources (see **Table 17-1**). The vector codes that store the program start address when branching due to the generation of a reset or various interrupt requests are two bytes each, so interrupts jump to a 64 K address of 00000H to 0FFFFH.

Table 17-1. Interrupt Source List (1/3)

Interrupt Type	Default Priority ^{Note 1}	Interrupt Source		Internal/ External	Vector Table Address	Basic Configuration Type ^{Note 2}	64-pin	52-pin	48-pin	44-pin	32-pin
		Name	Trigger								
Maskable	0	INTWDTI	Watchdog timer interval ^{Note 3} (75% of overflow time +1/2f _{clk})	Internal	0004H	(A)	√	√	√	√	√
	1	INTLVI	Voltage detection ^{Note 4}		0006H		√	√	√	√	√
	2	INTP0	Pin input edge detection	External	0008H	(B)	√	√	√	√	√
	3	INTP1			000AH		√	√	√	√	√
	4	INTP2			000CH		√	√	√	√	√
	5	INTP3			000EH		√	√	√	√	–
	6	INTP4			0010H		√	√	√	√	–
	7	INTP5			0012H		√	√	√	–	–
	8	INTDMA0	End of DMA0 transfer	Internal	0014H	(A)	√	√	√	√	√
	9	INTDMA1	End of DMA1 transfer		0016H		√	√	√	√	√
	10	INTST0	UART0 transmission transfer end or buffer empty interrupt		0018H		√	√	√	√	√
		INTCSI00	CSI00 transfer end or buffer empty interrupt				√	√	√	√	√
	11	INTSR0	UART0 reception transfer end		001AH		√	√	√	√	√
		INTCSI01	CSI01 transfer end or buffer empty interrupt				√	√	√	√	√
12	INTSRE0	UART0 reception communication error occurrence		001CH		√	√	√	√	√	
	INTTM01H	End of timer channel 01 count or capture (at higher 8-bit timer operation)				√	√	√	√	√	
13	INTTM00	End of timer channel 00 count or capture		0020H		√	√	√	√	√	
14	INTTM03H	End of timer channel 03 count or capture (at higher 8-bit timer operation)		0024H		√	√	√	√	√	

- Notes**
1. The default priority determines the sequence of interrupts if two or more maskable interrupts occur simultaneously. Zero indicates the highest priority and 31 indicates the lowest priority.
 2. Basic configuration types (A) to (D) correspond to (A) to (D) in Figure 17-1.
 3. When bit 7 (WDTINT) of the option byte (000C0H) is set to 1.
 4. When bit 7 (LVIMD) of the voltage detection level register (LVIS) is cleared to 0.

Remark √: Mounted
–: Not mounted

Table 17-1. Interrupt Source List (2/3)

Interrupt Type	Default Priority ^{Note 1}	Interrupt Source		Internal/ External	Vector Table Address	Basic Configuration Type ^{Note 2}	64-pin	52-pin	48-pin	44-pin	32-pin
		Name	Trigger								
Maskable	15	INTIICA0	End of IICA0 communication	Internal	0026H	(A)	√	√	√	√	√
	16	INTTM01	End of timer channel 01 count or capture		0028H		√	√	√	√	√
	17	INTTM02	End of timer channel 02 count or capture		002AH		√	√	√	√	√
	18	INTTM03	End of timer channel 03 count or capture		002CH		√	√	√	√	√
	19	INTAD	End of A/D conversion		002EH		√	√	√	√	√
	20	INTRTC	Fixed-cycle signal of real-time clock/alarm match detection		0030H		√	√	√	√	√
	21	INTIT	Interval signal detection		0032H		√	√	√	√	√
	22	INTKR	Key return signal detection	External	0034H	(C)	√	√	√	√	√
	23	INTTM04	End of timer channel 04 count or capture	Internal	003CH	(A)	√	√	√	√	√
	24	INTTM05	End of timer channel 05 count or capture		003EH		√	√	√	√	√
	25	INTTM06	End of timer channel 06 count or capture		0040H		√	√	√	√	√
	26	INTTM07	End of timer channel 07 count or capture		0042H		√	√	√	√	√
	27	INTP6	Pin input edge detection	External	0046H	(B)	√	–	–	–	–
	28	INTP7			0048H		√	–	–	–	–
	29	INTMD	End of division operation/ Overflow occur	Internal	004AH	(A)	√	√	√	√	√
	30	INTFL	End of sequencer interrupt ^{Note 3}		004CH		√	√	√	√	√

- Notes**
1. The default priority determines the sequence of interrupts if two or more maskable interrupts occur simultaneously. Zero indicates the highest priority and 31 indicates the lowest priority.
 2. Basic configuration types (A) to (D) correspond to (A) to (D) in Figure 17-1.
 3. Be used only at the self programming library.

Remark √: Mounted
–: Not mounted

Table 17-1. Interrupt Source List (3/3)

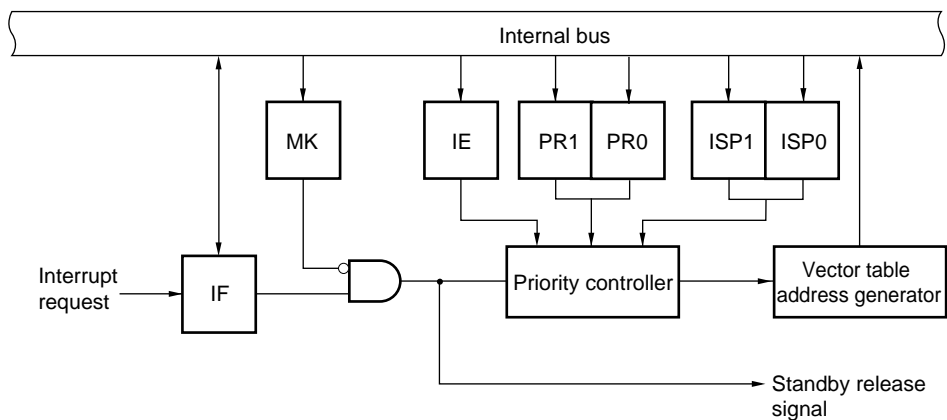
Interrupt Type	Default Priority ^{Note 1}	Interrupt Source		Internal/ External	Vector Table Address	Basic Configuration Type ^{Note 2}	64-pin	52-pin	48-pin	44-pin	32-pin
Software	–	BRK	Execution of BRK instruction	–	007EH	(D)	√	√	√	√	√
Reset	–	RESET	RESET pin input	–	0000H	–	√	√	√	√	√
		POR	Power-on-reset				√	√	√	√	√
		LVD	Voltage detection ^{Note 3}				√	√	√	√	√
		WDT	Overflow of watchdog timer				√	√	√	√	√
		TRAP	Execution of illegal instruction ^{Note 4}				√	√	√	√	√
		IAW	Illegal-memory access				√	√	√	√	√
		RPE	RAM parity error				√	√	√	√	√

- Notes**
1. The default priority determines the sequence of interrupts if two or more maskable interrupts occur simultaneously. Zero indicates the highest priority and 31 indicates the lowest priority.
 2. Basic configuration types (A) to (D) correspond to (A) to (D) in Figure 17-1.
 3. When bit 7 (LVIMD) of the voltage detection level register (LVIS) is set to 1.
 4. When the instruction code in FFH is executed.
Reset by the illegal instruction execution not issued by emulation with the in-circuit emulator or on-chip debug emulator.

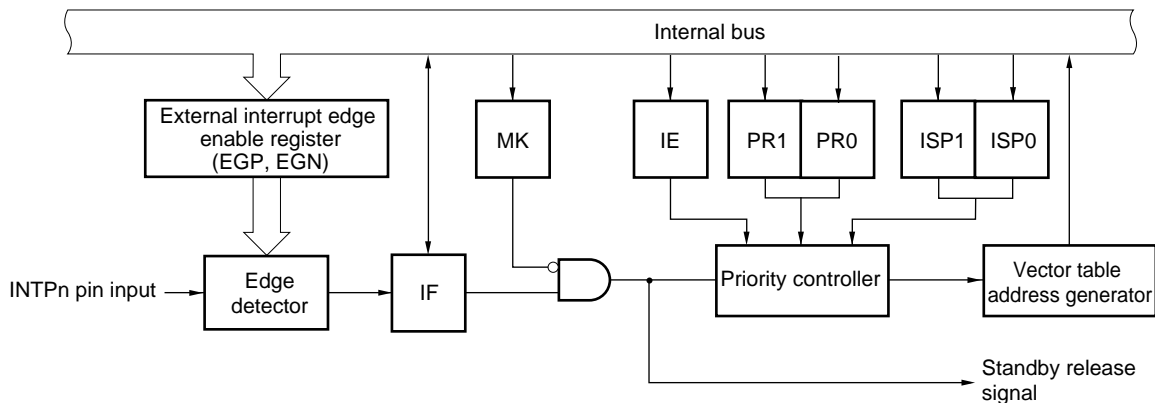
Remark √: Mounted

Figure 17-1. Basic Configuration of Interrupt Function (1/2)

(A) Internal maskable interrupt



(B) External maskable interrupt (INTPn)

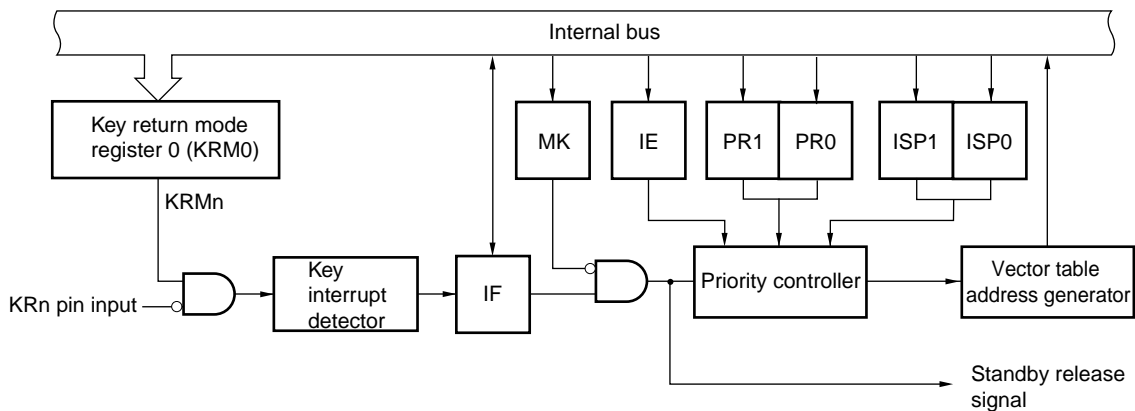


- IF: Interrupt request flag
- IE: Interrupt enable flag
- ISP0: In-service priority flag 0
- ISP1: In-service priority flag 1
- MK: Interrupt mask flag
- PR0: Priority specification flag 0
- PR1: Priority specification flag 1

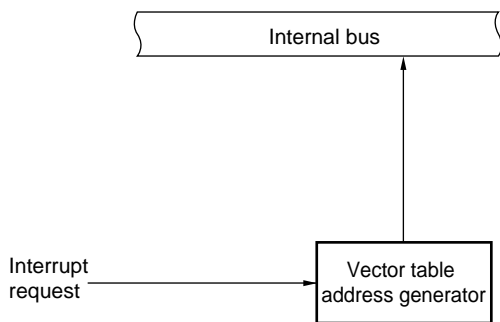
Remark 32-pin: n = 0 to 2
 44-pin: n = 0 to 4
 48, 52-pin: n = 0 to 5
 64-pin: n = 0 to 7

Figure 17-1. Basic Configuration of Interrupt Function (2/2)

(C) External maskable interrupt (INTKR)



(D) Software interrupt



- IF: Interrupt request flag
- IE: Interrupt enable flag
- ISP0: In-service priority flag 0
- ISP1: In-service priority flag 1
- MK: Interrupt mask flag
- PR0: Priority specification flag 0
- PR1: Priority specification flag 1

Remark n = 0 to 3

17.3 Registers Controlling Interrupt Functions

The following 6 types of registers are used to control the interrupt functions.

- Interrupt request flag registers (IF0L, IF0H, IF1L, IF1H, IF2L)
- Interrupt mask flag registers (MK0L, MK0H, MK1L, MK1H, MK2L)
- Priority specification flag registers (PR00L, PR00H, PR01L, PR01H, PR02L, PR10L, PR10H, PR11L, PR11H, PR12L)
- External interrupt rising edge enable register (EGP0)
- External interrupt falling edge enable register (EGN0)
- Program status word (PSW)

Table 17-2 shows a list of interrupt request flags, interrupt mask flags, and priority specification flags corresponding to interrupt request sources.

Table 17-2. Flags Corresponding to Interrupt Request Sources (1/3)

Interrupt Source	Interrupt Request Flag		Interrupt Mask Flag		Priority Specification Flag		64-pin	52-pin	48-pin	44-pin	32-pin
		Register		Register		Register					
INTWDTI	WDTIIF	IF0L	WDTIMK	MK0L	WDTIPR0, WDTIPR1	PR00L, PR10L	√	√	√	√	√
INTLVI	LVIIIF		LVIMK		LVIPR0, LVIPR1		√	√	√	√	√
INTP0	PIF0		PMK0		PPR00, PPR10		√	√	√	√	√
INTP1	PIF1		PMK1		PPR01, PPR11		√	√	√	√	√
INTP2	PIF2		PMK2		PPR02, PPR12		√	√	√	√	√
INTP3	PIF3		PMK3		PPR03, PPR13		√	√	√	√	–
INTP4	PIF4		PMK4		PPR04, PPR14		√	√	√	√	–
INTP5	PIF5		PMK5		PPR05, PPR15		√	√	√	–	–

Remark √: Mounted
 –: Not mounted

Table 17-2. Flags Corresponding to Interrupt Request Sources (2/3)

Interrupt Source	Interrupt Request Flag		Interrupt Mask Flag		Priority Specification Flag		64-pin	52-pin	48-pin	44-pin	32-pin
		Register		Register		Register					
INTDMA0	DMAIF0	IF0H	DMAMK0	MK0H	DMAPR00, DMAPR10	PR00H, PR10H	√	√	√	√	√
INTDMA1	DMAIF1		DMAMK1		DMAPR01, DMAPR11		√	√	√	√	√
INTST0 ^{Note 1}	STIF0 ^{Note 1}		STMK0 ^{Note 1}		STPR00, STPR10 ^{Note 1}		√	√	√	√	√
INTCSI00 ^{Note 1}	CSIF00 ^{Note 1}		CSIMK00 ^{Note 1}		CSIPR000, CSIPR100 ^{Note 1}		√	√	√	√	√
INTSR0 ^{Note 2}	SRIF0 ^{Note 2}		SRMK0 ^{Note 2}		SRPR00, SRPR10 ^{Note 2}		√	√	√	√	√
INTCSI01 ^{Note 2}	CSIF01 ^{Note 2}		CSIMK01 ^{Note 2}		CSIPR001, CSIPR101 ^{Note 2}		√	√	√	√	√
INTSRE0 ^{Note 3}	SREIF0 ^{Note 3}		SREMK0 ^{Note 3}		SREPR00, SREPR10 ^{Note 3}		√	√	√	√	√
INTTM01H ^{Note 3}	TMIF01H ^{Note 3}		TMMK01H ^{Note 3}		TMPR001H, TMPR101H ^{Note 3}		√	√	√	√	√
INTTM00	TMIF00	TMMK00	TMPR000, TMPR100	√	√	√	√	√			
INTTM03H	TMIF03H	IF1L	TMMK03H	MK1L	TMPR003H, TMPR103H	PR01L, PR11L	√	√	√	√	√
INTIICA0	IICAIF0		IICAMK0		IICAPR00, IICAPR10		√	√	√	√	√
INTTM01	TMIF01		TMMK01		TMPR001, TMPR101		√	√	√	√	√
INTTM02	TMIF02		TMMK02		TMPR002, TMPR102		√	√	√	√	√
INTTM03	TMIF03		TMMK03		TMPR003, TMPR103		√	√	√	√	√
INTAD	ADIF		ADMK		ADPR0, ADPR1		√	√	√	√	√
INTRTC	RTCIF		RTCMK		RTCPR0, RTCPR1		√	√	√	√	√
INTIT	ITIF		ITMK		ITPR0, ITPR1		√	√	√	√	√

- Notes**
1. If one of the interrupt sources INTST0 and INTCSI00 is generated, bit 2 of the IF0H register is set to 1. Bit 2 of the MK0H, PR00H, and PR10H registers supports these two interrupt sources.
 2. If one of the interrupt sources INTSR0 and INTCSI01 is generated, bit 3 of the IF0H register is set to 1. Bit 3 of the MK0H, PR00H, and PR10H registers supports these two interrupt sources.
 3. Do not use a UART0 reception error interrupt and an interrupt of channel 1 of TAU0 (at higher 8-bit timer operation) at the same time because they share flags for the interrupt request sources. If the UART0 reception error interrupt is not used (EOC01 = 0), UART0 and channel 1 of TAU0 (at higher 8-bit timer operation) can be used at the same time. If one of the interrupt sources INTSRE0 and INTTM01H is generated, bit 7 of the IF0H register is set to 1. Bit 7 of the MK0H, PR00H, and PR10H registers supports these two interrupt sources.

<R>

Remark √: Mounted

Table 17-2. Flags Corresponding to Interrupt Request Sources (3/3)

Interrupt Source	Interrupt Request Flag		Interrupt Mask Flag		Priority Specification Flag		64-pin	52-pin	48-pin	44-pin	32-pin
		Register		Register		Register					
INTKR	KRIF	IF1H	KRMK	MK1H	KRPR0, KRPR1	PR01H, PR11H	√	√	√	√	√
INTTM04	TMIF04		TMMK04		TMPR004, TMPR104		√	√	√	√	√
INTTM05	TMIF05		TMMK05		TMPR005, TMPR105		√	√	√	√	√
INTTM06	TMIF06		TMMK06		TMPR006, TMPR106		√	√	√	√	√
INTTM07	TMIF07		TMMK07		TMPR007, TMPR107		√	√	√	√	√
INTP6	PIF6	IF2L	PMK6	MK2L	PPR06, PPR16	PR02L, PR12L	√	–	–	–	–
INTP7	PIF7		PMK7		PPR07, PPR17		√	–	–	–	–
INTMD	MDIF		MDMK		MDPR0, MDPR1		√	√	√	√	√
INTFL	FLIF		FLMK		FLPR0, FLPR1		√	√	√	√	√

Remark √: Mounted
 –: Not mounted

17.3.1 Interrupt request flag registers (IF0L, IF0H, IF1L, IF1H, IF2L)

The interrupt request flags are set to 1 when the corresponding interrupt request is generated or an instruction is executed. They are cleared to 0 when an instruction is executed upon acknowledgment of an interrupt request or upon reset signal generation.

When an interrupt is acknowledged, the interrupt request flag is automatically cleared and then the interrupt routine is entered.

The IF0L, IF0H, IF1L, IF1H, and IF2L registers can be set by a 1-bit or 8-bit memory manipulation instruction. When the IF0L and IF0H registers, the IF1L and IF1H registers are combined to form 16-bit registers IF0 and IF1, they can be set by a 16-bit memory manipulation instruction.

Reset signal generation clears these registers to 00H.

Remark If an instruction that writes data to this register is executed, the number of instruction execution clocks increases by 2 clocks.

Figure 17-2. Format of Interrupt Request Flag Registers (IF0L, IF0H, IF1L, IF1H, IF2L) (64-pin products)

Address: FFFE0H After reset: 00H R/W

Symbol	<7>	<6>	<5>	<4>	<3>	<2>	<1>	<0>
IF0L	PIF5	PIF4	PIF3	PIF2	PIF1	PIF0	LVIIIF	WDTIIF

Address: FFFE1H After reset: 00H R/W

Symbol	7	<6>	<5>	<4>	<3>	<2>	<1>	<0>
IF0H	0	TMIF00	0	SREIF0 TMIF01H	SRIF0 CSIF01	STIF0 CSIF00	DMAIF1	DMAIF0

Address: FFFE2H After reset: 00H R/W

Symbol	<7>	<6>	<5>	<4>	<3>	<2>	<1>	<0>
IF1L	ITIF	RTCIF	ADIF	TMIF03	TMIF02	TMIF01	IICAIF0	TMIF03H

Address: FFFE3H After reset: 00H R/W

Symbol	<7>	<6>	<5>	<4>	3	2	1	<0>
IF1H	TMIF07	TMIF06	TMIF05	TMIF04	0	0	0	KRIF

Address: FFFD0H After reset: 00H R/W

Symbol	7	6	5	<4>	<3>	<2>	<1>	<0>
IF2L	0	0	0	FLIF	MDIF	PIF7	PIF6	0

XXIFX	Interrupt request flag
0	No interrupt request signal is generated
1	Interrupt request is generated, interrupt request status

(Cautions are listed on the next page)

<R>

Cautions 1. The available registers and bits differ depending on the product. For details about the registers and bits available for each product, see Table 17-2. Be sure to set bits that are not available to the initial value.

2. When manipulating a flag of the interrupt request flag register, use a 1-bit memory manipulation instruction (CLR1). When describing in C language, use a bit manipulation instruction such as “IF0L.0 = 0;” or “_asm(“clr1 IF0L, 0”);” because the compiled assembler must be a 1-bit memory manipulation instruction (CLR1). If a program is described in C language using an 8-bit memory manipulation instruction such as “IF0L &= 0xfe;” and compiled, it becomes the assembler of three instructions.

```
mov a, IF0L
and a, #0FEH
mov IF0L, a
```

In this case, even if the request flag of the another bit of the same interrupt request flag register (IF0L) is set to 1 at the timing between “mov a, IF0L” and “mov IF0L, a”, the flag is cleared to 0 at “mov IF0L, a”. Therefore, care must be exercised when using an 8-bit memory manipulation instruction in C language.

17.3.2 Interrupt mask flag registers (MK0L, MK0H, MK1L, MK1H, MK2L)

The interrupt mask flags are used to enable/disable the corresponding maskable interrupt servicing.

The MK0L, MK0H, MK1L, MK1H, and MK2L registers can be set by a 1-bit or 8-bit memory manipulation instruction. When the MK0L and MK0H registers, and the MK1L and MK1H registers are combined to form 16-bit registers MK0 and MK1, they can be set by a 16-bit memory manipulation instruction.

Reset signal generation sets these registers to FFH.

Remark If an instruction that writes data to this register is executed, the number of instruction execution clocks increases by 2 clocks.

Figure 17-3. Format of Interrupt Mask Flag Registers (MK0L, MK0H, MK1L, MK1H, MK2L)(64-pin products)

Address: FFFE4H After reset: FFH R/W

Symbol	<7>	<6>	<5>	<4>	<3>	<2>	<1>	<0>
MK0L	PMK5	PMK4	PMK3	PMK2	PMK1	PMK0	LVIMK	WDTIMK

Address: FFFE5H After reset: FFH R/W

Symbol	7	<6>	<5>	<4>	<3>	<2>	<1>	<0>
MK0H	1	TMMK00	1	SREMK0 TMMK01H	SRMK0 CSIMK01	STMK0 CSIMK00	DMAMK1	DMAMK0

Address: FFFE6H After reset: FFH R/W

Symbol	<7>	<6>	<5>	<4>	<3>	<2>	<1>	<0>
MK1L	ITMK	RTCMK	ADMK	TMMK03	TMMK02	TMMK01	IICAMK0	TMMK03H

Address: FFFE7H After reset: FFH R/W

Symbol	<7>	<6>	<5>	<4>	3	2	1	<0>
MK1H	TMMK07	TMMK06	TMMK05	TMMK04	1	1	1	KRMK

Address: FFFD4H After reset: FFH R/W

Symbol	7	6	5	<4>	<3>	<2>	<1>	<0>
MK2L	1	1	1	FLMK	MDMK	PMK7	PMK6	0

XXMKX	Interrupt servicing control
0	Interrupt servicing enabled
1	Interrupt servicing disabled

Caution The above is the bit layout for the 64-pin products. The available bits differ depending on the product. For details about the bits available for each product, see Table 17-2. Be sure to set bits that are not available to the initial value.

17.3.3 Priority specification flag registers (PR00L, PR00H, PR01L, PR01H, PR02L, PR10L, PR10H, PR11L, PR11H, PR12L)

The priority specification flag registers are used to set the corresponding maskable interrupt priority level.

A priority level is set by using the PR0xy and PR1xy registers in combination (xy = 0L, 0H, 1L, 1H, or 2L).

The PR00L, PR00H, PR01L, PR01H, PR02L, PR10L, PR10H, PR11L, PR11H, and PR12L registers can be set by a 1-bit or 8-bit memory manipulation instruction. If the PR00L and PR00H registers, the PR01L and PR01H registers, the PR10L and PR10H registers, and the PR11L and PR11H registers are combined to form 16-bit registers PR00, PR01, PR10, and PR11, they can be set by a 16-bit memory manipulation instruction.

Reset signal generation sets these registers to FFH.

Remark If an instruction that writes data to this register is executed, the number of instruction execution clocks increases by 2 clocks.

Figure 17-4. Format of Priority Specification Flag Registers (PR00L, PR00H, PR01L, PR01H, PR02L, PR10L, PR10H, PR11L, PR11H, PR12L) (64-pin products) (1/2)

Address: FFFE8H After reset: FFH R/W								
Symbol	<7>	<6>	<5>	<4>	<3>	<2>	<1>	<0>
PR00L	PPR05	PPR04	PPR03	PPR02	PPR01	PPR00	LVIPR0	WDTIPR0
Address: FFFECH After reset: FFH R/W								
Symbol	<7>	<6>	<5>	<4>	<3>	<2>	<1>	<0>
PR10L	PPR15	PPR14	PPR13	PPR12	PPR11	PPR10	LVIPR1	WDTIPR1
Address: FFFE9H After reset: FFH R/W								
Symbol	7	<6>	<5>	<4>	<3>	<2>	<1>	<0>
PR00H	1	TMPR000	1	SREPR00 TMPR001H	SRPR00 CSIPR001	STPR00 CSIPR000	DMAPR01	DMAPR00
Address: FFFEDH After reset: FFH R/W								
Symbol	7	<6>	<5>	<4>	<3>	<2>	<1>	<0>
PR10H	1	TMPR100	1	SREPR10 TMPR101H	SRPR10 CSIPR101	STPR10 CSIPR100	DMAPR11	DMAPR10
Address: FFFEAH After reset: FFH R/W								
Symbol	<7>	<6>	<5>	<4>	<3>	<2>	<1>	<0>
PR01L	ITPR0	RTCPR0	ADPR0	TMPR003	TMPR002	TMPR001	IICAPR00	TMPR003H
Address: FFFEEH After reset: FFH R/W								
Symbol	<7>	<6>	<5>	<4>	<3>	<2>	<1>	<0>
PR11L	ITPR1	RTCPR1	ADPR1	TMPR103	TMPR102	TMPR101	IICAPR10	TMPR103H

Figure 17-4. Format of Priority Specification Flag Registers (PR00L, PR00H, PR01L, PR01H, PR02L, PR10L, PR10H, PR11L, PR11H, PR12L) (64-pin products) (2/2)

Address: FFFEBH After reset: FFH R/W

Symbol	<7>	<6>	<5>	<4>	3	2	1	<0>
PR01H	TMPR007	TMPR006	TMPR005	TMPR004	1	1	1	KRPR0

Address: FFFEFH After reset: FFH R/W

Symbol	<7>	<6>	<5>	<4>	3	2	1	<0>
PR11H	TMPR107	TMPR106	TMPR105	TMPR104	1	1	1	KRPR1

Address: FFFD8H After reset: FFH R/W

Symbol	7	6	5	<4>	<3>	<2>	<1>	<0>
PR02L	1	1	1	FLPR0	MDPR0	PPR07	PPR06	0

Address: FFFDCH After reset: FFH R/W

Symbol	7	6	5	<4>	<3>	<2>	<1>	<0>
PR12L	1	1	1	FLPR1	MDPR1	PPR17	PPR16	0

XXPR1X	XXPR0X	Priority level selection
0	0	Specify level 0 (high priority level)
0	1	Specify level 1
1	0	Specify level 2
1	1	Specify level 3 (low priority level)

Caution The above is the bit layout for the 64-pin products. The available bits differ depending on the product. For details about the bits available for each product, see Table 17-2. Be sure to set bits that are not available to the initial value.

17.3.4 External interrupt rising edge enable register (EGP0), external interrupt falling edge enable register (EGN0)

These registers specify the valid edge for INTP0 to INTP7.

The EGP0 and EGN0 registers can be set by a 1-bit or 8-bit memory manipulation instruction.

Reset signal generation clears these registers to 00H.

Figure 17-5. Format of External Interrupt Rising Edge Enable Register (EGP0) and External Interrupt Falling Edge Enable Register (EGN0) (64-pin products)

Address: FFF38H After reset: 00H R/W

Symbol	7	6	5	4	3	2	1	0
EGP0	EGP7	EGP6	EGP5	EGP4	EGP3	EGP2	EGP1	EGP0

Address: FFF39H After reset: 00H R/W

Symbol	7	6	5	4	3	2	1	0
EGN0	EGN7	EGN6	EGN5	EGN4	EGN3	EGN2	EGN1	EGN0

EGPn	EGNn	INTPn pin valid edge selection (n = 0 to 7)
0	0	Edge detection disabled
0	1	Falling edge
1	0	Rising edge
1	1	Both rising and falling edges

Table 17-3 shows the ports corresponding to the EGPn and EGNn bits.

Table 17-3. Ports Corresponding to EGPn and EGNn bits

Detection Enable Bit		Edge Detection Port	Interrupt Request Signal	64-pin	48, 52-pin	44-pin	32-pin
EGP0	EGN0	P137	INTP0	√	√	√	√
EGP1	EGN1	P15	INTP1	√	√	√	√
EGP2	EGN2	P16	INTP2	√	√	√	√
EGP3	EGN3	P31	INTP3	√	√	√	–
EGP4	EGN4	P32	INTP4	√	√	√	–
EGP5	EGN5	P50	INTP5	√	√	–	–
EGP6	EGN6	P52	INTP6	√	–	–	–
EGP7	EGN7	P43	INTP7	√	–	–	–

Caution Select the port mode by clearing the EGPn and EGNn bits to 0 because an edge may be detected when the external interrupt function is switched to the port function.

- Remarks**
1. n = 0 to 7
 2. √: Mounted
–: Not mounted

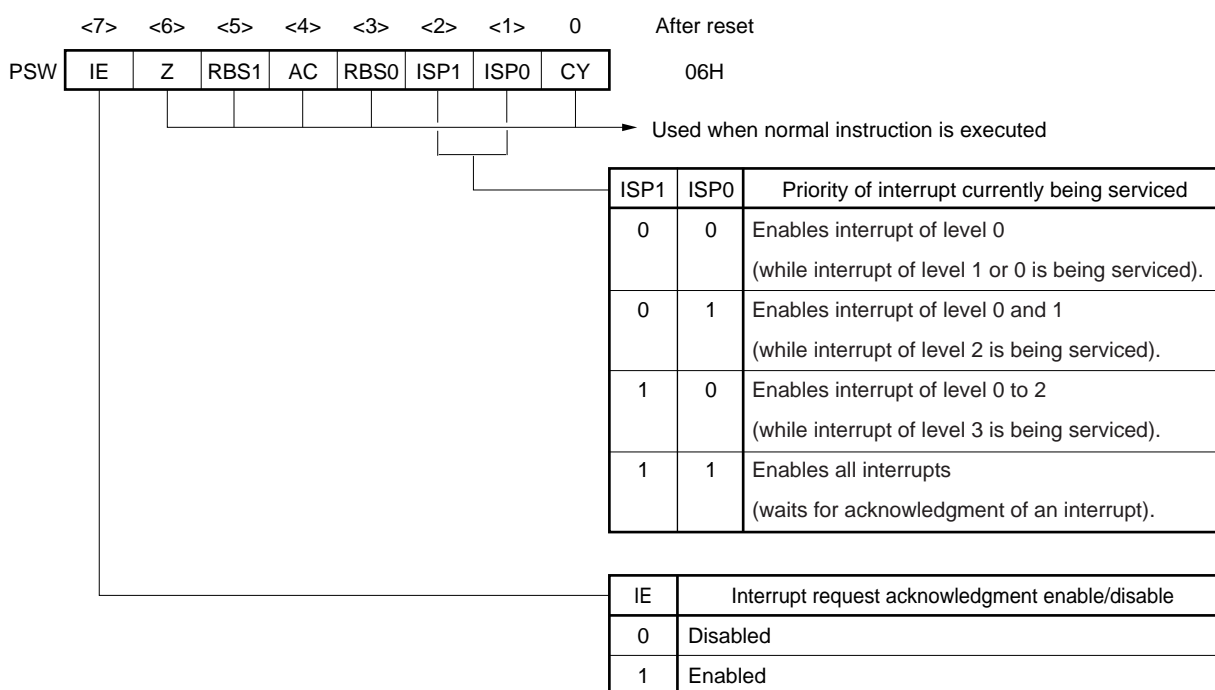
<R> 17.3.5 Program status word (PSW)

The program status word is a register used to hold the instruction execution result and the current status for an interrupt request. The IE flag that sets maskable interrupt enable/disable and the ISP0 and ISP1 flags that controls multiple interrupt servicing are mapped to the PSW.

Besides 8-bit read/write, this register can carry out operations using bit manipulation instructions and dedicated instructions (EI and DI). When a vectored interrupt request is acknowledged, if the BRK instruction is executed, the contents of the PSW are automatically saved into a stack and the IE flag is reset to 0. Upon acknowledgment of a maskable interrupt request, if the value of the priority specification flag register of the acknowledged interrupt is not 00, its value minus 1 is transferred to the ISP0 and ISP1 flags. The PSW contents are also saved into the stack with the PUSH PSW instruction. They are restored from the stack with the RETI, RETB, and POP PSW instructions.

Reset signal generation sets PSW to 06H.

Figure 17-6. Configuration of Program Status Word



17.4 Interrupt Servicing Operations

17.4.1 Maskable interrupt request acknowledgment

A maskable interrupt request becomes acknowledgeable when the interrupt request flag is set to 1 and the mask (MK) flag corresponding to that interrupt request is cleared to 0. A vectored interrupt request is acknowledged if interrupts are in the interrupt enabled state (when the IE flag is set to 1). However, a low-priority interrupt request is not acknowledged during servicing of a higher priority interrupt request.

The times from generation of a maskable interrupt request until vectored interrupt servicing is performed are listed in Table 17-4 below.

For the interrupt request acknowledgment timing, see **Figures 17-8 and 17-9**.

Table 17-4. Time from Generation of Maskable Interrupt Until Servicing

	Minimum Time	Maximum Time ^{Note}
Servicing time	9 clocks	16 clocks

Note Maximum time does not apply when an instruction from the internal RAM area is executed.

Remark 1 clock: $1/f_{CLK}$ (f_{CLK} : CPU clock)

If two or more maskable interrupt requests are generated simultaneously, the request with a higher priority level specified in the priority specification flag is acknowledged first. If two or more interrupts requests have the same priority level, the request with the highest default priority is acknowledged first.

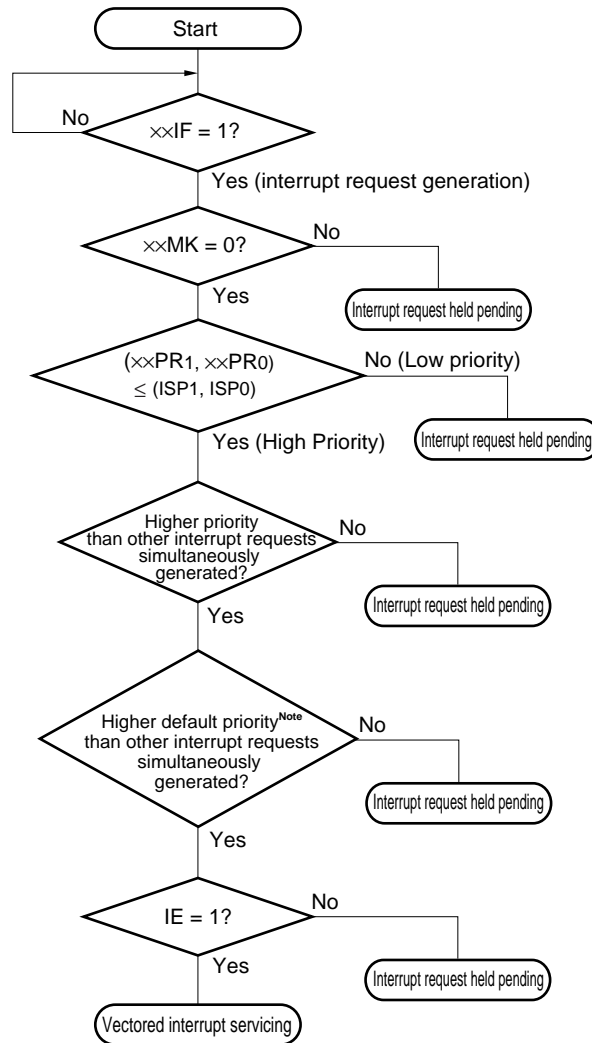
An interrupt request that is held pending is acknowledged when it becomes acknowledgeable.

Figure 17-7 shows the interrupt request acknowledgment algorithm.

If a maskable interrupt request is acknowledged, the contents are saved into the stacks in the order of PSW, then PC, the IE flag is reset (0), and the contents of the priority specification flag corresponding to the acknowledged interrupt are transferred to the ISP1 and ISP0 flags. The vector table data determined for each interrupt request is the loaded into the PC and branched.

Restoring from an interrupt is possible by using the RETI instruction.

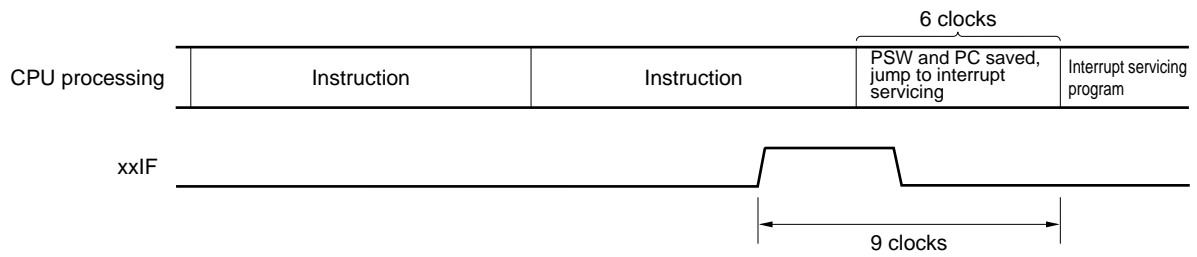
Figure 17-7. Interrupt Request Acknowledgment Processing Algorithm



- xxIF: Interrupt request flag
- xxMK: Interrupt mask flag
- xxPR0: Priority specification flag 0
- xxPR1: Priority specification flag 1
- IE: Flag that controls acknowledgment of maskable interrupt request (1 = Enable, 0 = Disable)
- ISP0, ISP1: Flag that indicates the priority level of the interrupt currently being serviced (see Figure 17-6)

Note For the default priority, refer to **Table 17-1 Interrupt Source List**.

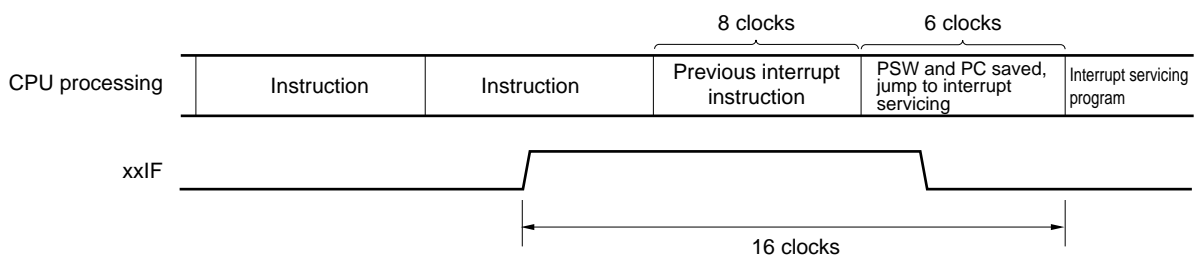
Figure 17-8. Interrupt Request Acknowledgment Timing (Minimum Time)



Remark 1 clock: $1/f_{CLK}$ (f_{CLK} : CPU clock)

<R>

Figure 17-9. Interrupt Request Acknowledgment Timing (Maximum Time)



Remark 1 clock: $1/f_{CLK}$ (f_{CLK} : CPU clock)

17.4.2 Software interrupt request acknowledgment

A software interrupt request is acknowledged by BRK instruction execution. Software interrupts cannot be disabled.

If a software interrupt request is acknowledged, the contents are saved into the stacks in the order of the program status word (PSW), then program counter (PC), the IE flag is reset (0), and the contents of the vector table (0007EH, 0007FH) are loaded into the PC and branched.

Restoring from a software interrupt is possible by using the RETB instruction.

Caution Can not use the RETI instruction for restoring from the software interrupt.

17.4.3 Multiple interrupt servicing

Multiple interrupt servicing occurs when another interrupt request is acknowledged during execution of an interrupt.

Multiple interrupt servicing does not occur unless the interrupt request acknowledgment enabled state is selected (IE = 1). When an interrupt request is acknowledged, interrupt request acknowledgment becomes disabled (IE = 0). Therefore, to enable multiple interrupt servicing, it is necessary to set (1) the IE flag with the EI instruction during interrupt servicing to enable interrupt acknowledgment.

Moreover, even if interrupts are enabled, multiple interrupt servicing may not be enabled, this being subject to interrupt priority control. Two types of priority control are available: default priority control and programmable priority control. Programmable priority control is used for multiple interrupt servicing.

In the interrupt enabled state, if an interrupt request with a priority equal to or higher than that of the interrupt currently being serviced is generated, it is acknowledged for multiple interrupt servicing. If an interrupt with a priority lower than that of the interrupt currently being serviced is generated during interrupt servicing, it is not acknowledged for multiple interrupt servicing. Interrupt requests that are not enabled because interrupts are in the interrupt disabled state or because they have a lower priority are held pending. When servicing of the current interrupt ends, the pending interrupt request is acknowledged following execution of at least one main processing instruction execution.

Table 17-5 shows relationship between interrupt requests enabled for multiple interrupt servicing and Figure 17-10 shows multiple interrupt servicing examples.

Table 17-5. Relationship Between Interrupt Requests Enabled for Multiple Interrupt Servicing During Interrupt Servicing

Multiple Interrupt Request Interrupt Being Serviced		Maskable Interrupt Request								Software Interrupt Request
		Priority Level 0 (PR = 00)		Priority Level 1 (PR = 01)		Priority Level 2 (PR = 10)		Priority Level 3 (PR = 11)		
		IE = 1	IE = 0	IE = 1	IE = 0	IE = 1	IE = 0	IE = 1	IE = 0	
Maskable interrupt	ISP1 = 0 ISP0 = 0	○	×	×	×	×	×	×	×	○
	ISP1 = 0 ISP0 = 1	○	×	○	×	×	×	×	×	○
	ISP1 = 1 ISP0 = 0	○	×	○	×	○	×	×	×	○
	ISP1 = 1 ISP0 = 1	○	○	○	○	○	○	○	○	○
Software interrupt		○	×	○	×	○	×	○	×	○

Remarks 1. ○: Multiple interrupt servicing enabled

2. ×: Multiple interrupt servicing disabled

3. ISP0, ISP1, and IE are flags contained in the PSW.

ISP1 = 0, ISP0 = 0: An interrupt of level 1 or level 0 is being serviced.

ISP1 = 0, ISP0 = 1: An interrupt of level 2 is being serviced.

ISP1 = 1, ISP0 = 0: An interrupt of level 3 is being serviced.

ISP1 = 1, ISP0 = 1: Wait for An interrupt acknowledgment (all interrupts are enabled).

IE = 0: Interrupt request acknowledgment is disabled.

IE = 1: Interrupt request acknowledgment is enabled.

4. PR is a flag contained in the PR00L, PR00H, PR01L, PR01H, PR02L, PR10L, PR10H, PR11L, PR11H, and PR12L registers.

PR = 00: Specify level 0 with $\text{xxPR1x} = 0, \text{xxPR0x} = 0$ (higher priority level)

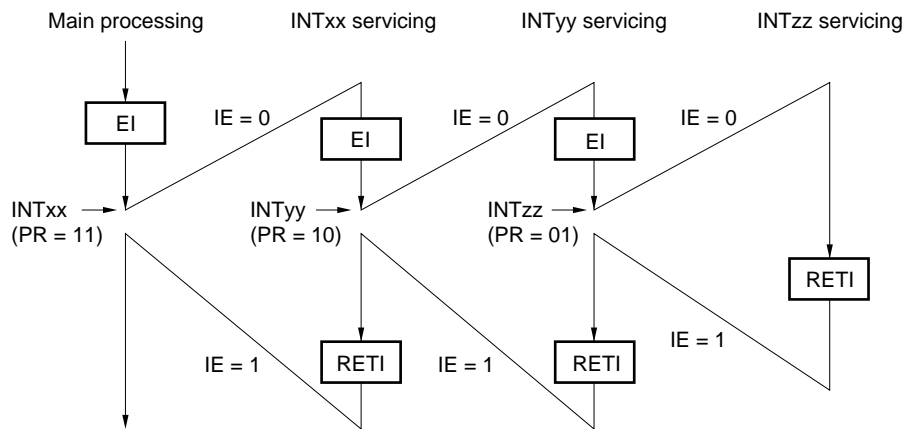
PR = 01: Specify level 1 with $\text{xxPR1x} = 0, \text{xxPR0x} = 1$

PR = 10: Specify level 2 with $\text{xxPR1x} = 1, \text{xxPR0x} = 0$

PR = 11: Specify level 3 with $\text{xxPR1x} = 1, \text{xxPR0x} = 1$ (lower priority level)

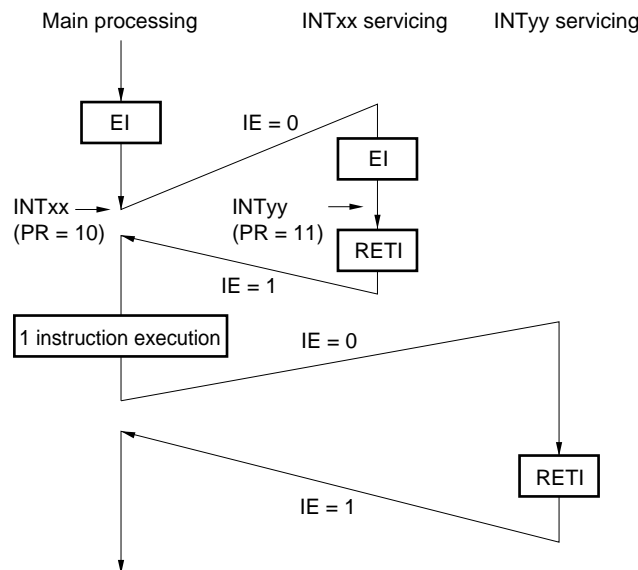
Figure 17-10. Examples of Multiple Interrupt Servicing (1/2)

Example 1. Multiple interrupt servicing occurs twice



During servicing of interrupt INTxx, two interrupt requests, INTyy and INTzz, are acknowledged, and multiple interrupt servicing takes place. Before each interrupt request is acknowledged, the EI instruction must always be issued to enable interrupt request acknowledgment.

Example 2. Multiple interrupt servicing does not occur due to priority control

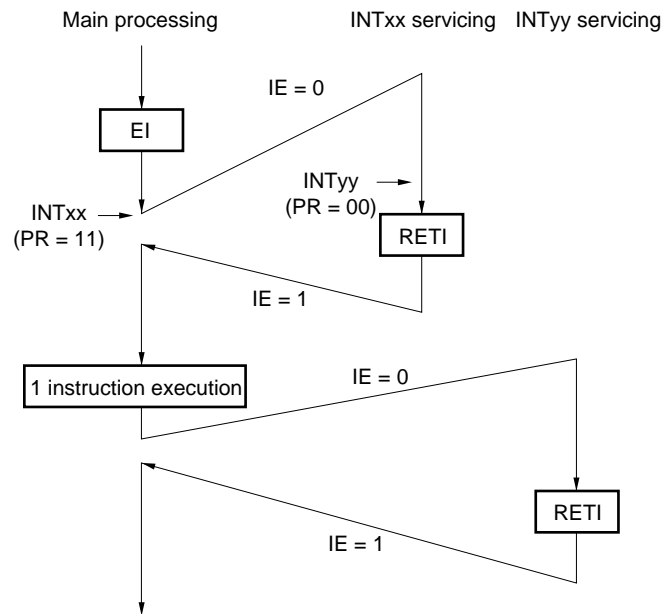


Interrupt request INTyy issued during servicing of interrupt INTxx is not acknowledged because its priority is lower than that of INTxx, and multiple interrupt servicing does not take place. The INTyy interrupt request is held pending, and is acknowledged following execution of one main processing instruction.

- PR = 00: Specify level 0 with $\times\times PR1\times = 0$, $\times\times PR0\times = 0$ (higher priority level)
- PR = 01: Specify level 1 with $\times\times PR1\times = 0$, $\times\times PR0\times = 1$
- PR = 10: Specify level 2 with $\times\times PR1\times = 1$, $\times\times PR0\times = 0$
- PR = 11: Specify level 3 with $\times\times PR1\times = 1$, $\times\times PR0\times = 1$ (lower priority level)
- IE = 0: Interrupt request acknowledgment is disabled
- IE = 1: Interrupt request acknowledgment is enabled.

Figure 17-10. Examples of Multiple Interrupt Servicing (2/2)

Example 3. Multiple interrupt servicing does not occur because interrupts are not enabled



Interrupts are not enabled during servicing of interrupt INTxx (EI instruction is not issued), therefore, interrupt request INTyy is not acknowledged and multiple interrupt servicing does not take place. The INTyy interrupt request is held pending, and is acknowledged following execution of one main processing instruction.

- PR = 00: Specify level 0 with $\text{xxPR1x} = 0, \text{xxPR0x} = 0$ (higher priority level)
- PR = 01: Specify level 1 with $\text{xxPR1x} = 0, \text{xxPR0x} = 1$
- PR = 10: Specify level 2 with $\text{xxPR1x} = 1, \text{xxPR0x} = 0$
- PR = 11: Specify level 3 with $\text{xxPR1x} = 1, \text{xxPR0x} = 1$ (lower priority level)
- IE = 0: Interrupt request acknowledgment is disabled
- IE = 1: Interrupt request acknowledgment is enabled.

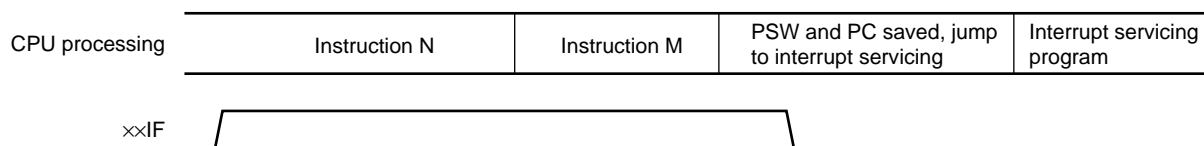
17.4.4 Interrupt request hold

There are instructions where, even if an interrupt request is issued while the instructions are being executed, interrupt request acknowledgment is held pending until the end of execution of the next instruction. These instructions (interrupt request hold instructions) are listed below.

- MOV PSW, #byte
- MOV PSW, A
- MOV1 PSW. bit, CY
- SET1 PSW. bit
- CLR1 PSW. bit
- RETB
- RETI
- POP PSW
- BTCLR PSW. bit, \$addr20
- EI
- DI
- SKC
- SKNC
- SKZ
- SKNZ
- SKH
- SKNH
- Manipulation instructions for the IF0L, IF0H, IF1L, IF1H, IF2L, MK0L, MK0H, MK1L, MK1H, MK2L, PR00L, PR00H, PR01L, PR01H, PR02L, PR10L, PR10H, PR11L, PR11H, and PR12L registers

Figure 17-11 shows the timing at which interrupt requests are held pending.

Figure 17-11. Interrupt Request Hold



- Remarks**
1. Instruction N: Interrupt request hold instruction
 2. Instruction M: Instruction other than interrupt request hold instruction

CHAPTER 18 KEY INTERRUPT FUNCTION**18.1 Functions of Key Interrupt**

A key interrupt (INTKR) can be generated by inputting a rising edge/falling edge to the key interrupt input pins (KR0 to KR3).

<R>

Table 18-1. Assignment of Key Interrupt Detection Pins

Key interrupt input pins	Key return mode registers (KRM)
KR0	KRM0
KR1	KRM1
KR2	KRM2
KR3	KRM3

18.2 Configuration of Key Interrupt

The key interrupt includes the following hardware.

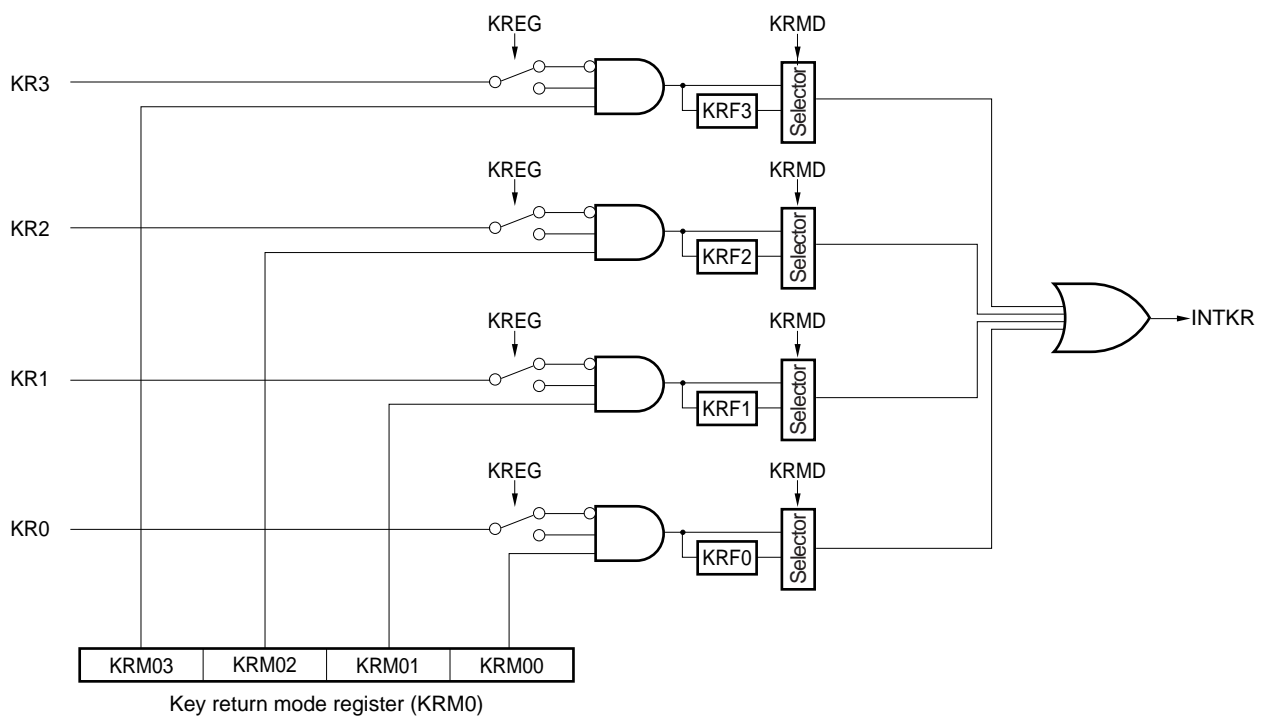
<R>

Table 18-2. Configuration of Key Interrupt

Item	Configuration
Control register	Key return control register (KRCTL) Key return mode register 0 (KRM0) Port mode registers 1, 3, 7, 14 (PM1, PM3, PM7, PM14) ^{Note}

Note The port mode registers (PMxx) to be set differ depending on the product. For details, see 18.3.4 Port mode registers 1, 3, 7, 14 (PM1, PM3, PM7, PM14).

Figure 18-1. Block Diagram of Key Interrupt



18.3 Register Controlling Key Interrupt

The key interrupt function is controlled by the following five registers:

- Key return control register (KRCTL)
- Key return mode register 0 (KRM0)
- Key return flag register (KRF)
- Port mode registers 1, 3, 7, and 14 (PM1, PM3, PM7, PM14) ^{Note}

Note The port mode registers (PMxx) to be set differ depending on the product. For details, see **18.3.4 Port mode registers 1, 3, 7, 14 (PM1, PM3, PM7, PM14)**.

18.3.1 Key return control register (KRCTL)

This register controls the usage of the key interrupt flags (KRF0 to KRF3) and sets the detection edge.

The KRCTL register can be set by a 1-bit or 8-bit memory manipulation instruction.

Reset signal generation clears this register to 00H.

Figure 18-2. Format of Key Return Control Register (KRCTL)

Address: FFF34H After reset: 00H R/W

Symbol	7	6	5	4	3	2	1	0
KRCTL	KRMD	0	0	0	0	0	0	KREG

KRMD	Usage of t key interrupt flags (KRF0 to KRF3)
0	Does not use key interrupt flags
1	Uses key interrupt flags

KRMD	Selection of Detection Edge (KR0 to KR3)
0	Falling edge
1	Rising edge

18.3.2 Key return mode register 0 (KRM0)

This register sets the key interrupt mode.

The KRM0 register can be set by a 1-bit or 8-bit memory manipulation instruction.

Reset signal generation clears these registers to 00H.

Figure 18-3. Format of Key Return Mode Register 0 (KRM0)

Address: FFF37H After reset: 00H R/W

Symbol	7	6	5	4	3	2	1	0
KRM0	0	0	0	0	KRM03	KRM02	KRM01	KRM00

KRM0n	Key interrupt mode control
0	Does not detect key interrupt signal
1	Detects key interrupt signal

- Cautions**
1. The internal pull-up resistor can be used by setting the corresponding bits to 1 in the pull-up resistor registers 1, 3, 7, and 14 (PU1, PU3, PU7, PU14) of key interrupt input pins.
 2. An interrupt will be generated if the target bit of the KRM0 register is set while a low level (when KREG = 0)/high level (when KREG = 1) is being input to the key interrupt input pin. To ignore this interrupt, set the KRM0 register after disabling interrupt servicing by using the interrupt mask flag. Afterward, clear the interrupt request flag and enable interrupt servicing after waiting for the key interrupt input high-level width/low-level width (see 30.4 or 31.4 AC Characteristics).
 3. The pins not used in the key interrupt mode can be used as normal ports.

Remark n = 0 to 3

18.3.3 Key return flag register (KRF)

This register controls the key interrupt flags (KRF0 to KRF3).

The KRF register can be set by an 8-bit memory manipulation instruction.

Reset signal generation clears this register to 00H.

Figure 18-4. Format of Key return Flag Register (KRF)

Address: FFF35H After reset: 00H R/W

Symbol	7	6	5	4	3	2	1	0
KRF	0	0	0	0	KRF3	KRF2	KRF1	KRF0

KRFn	Key interrupt flag (n = 0 to 3)
0	No key interrupt signal has been detected.
1	A key interrupt signal has been detected.

Caution When KRMD = 0, setting the KRFn bit to 1 is prohibited.

18.3.4 Port mode registers 1, 3, 7, 14 (PM1, PM3, PM7, PM14)

These registers set the input and output of port 1, 3, 7, 14 in 1-bit units.

The presence or absence of key input pins depends on the product. When using the key interrupt function, set the following port mode registers according to the product used.

32, 44-pin products: PM1, PM14

48, 52-pin products: PM3, PM7

64-pin products: PM7

When using P10/KR2 to P12/KR0, P140/KR3, P30/KR3 to P32/KR1, or P70/KR0 to P73/KR3 as a key input pin, set the bit of the port mode registers (PM1, PM3, PM7, PM14) corresponding to the port pin to 1.

The PM1, PM3, PM7, and PM14 registers can be set by a 1-bit or 8-bit memory manipulation instruction.

Reset signal generation clears these registers to FFH.

Figure 18-5. Format of Port Mode Register 7 (PM7) (64-pin products)

Address: FFF27H After reset: 00H R/W

Symbol	7	6	5	4	3	2	1	0
PM7	1	1	1	PM74	PM73	PM72	PM71	PM70

PM7n	I/O mode selection for P7n pin (n = 0 to 4)
0	Output mode (output buffer on)
1	Input mode (output buffer off)

Remark The figure shown above presents the format of port mode register 7 of the 64-pin products. The format of the port mode register of other products, see **Table 4-3 PMxx, Pxx, PUxx, PIMxx, POMxx, PMCxx registers and the bits mounted on each product.**

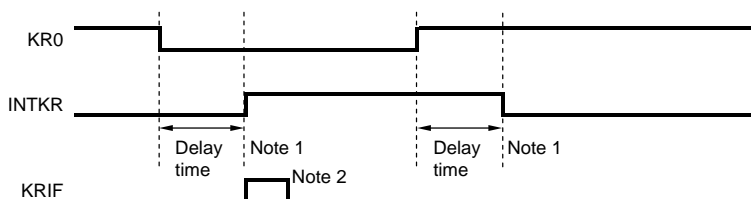
18.4 Key Interrupt Operation

18.4.1 When not using the key interrupt flag (KRMD = 0)

A key interrupt (INTKR) is generated when the valid edge specified by the setting of the KREG bit is input to a key interrupt pin (KR0 to KR3). The channel to which the valid edge was input can be identified by reading the port register and checking the port level after the key interrupt (INTKR) is generated.

The INTKR signal changes according to the input level of the key interrupt input pin (KR0 to KR3).

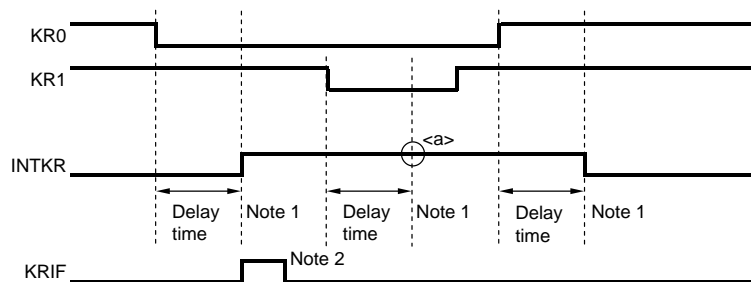
Figure 18-6. Operation of INTKR Signal When a Key Interrupt is Input to a Single Channel (When KRMD = 0 and KREG = 0)



- Notes 1.** The maximum delay time is the maximum value of the high-level width and low-level width of the key interrupt input (see **30.4** or **31.4 AC Characteristics** for details).
- 2.** Acknowledgment of vectored interrupt request or bit cleared by software

The operation when a valid edge is input to multiple key interrupt input pins is shown in Figure 18-7 below. The INTKR signal is set while a low level is being input to one pin (when KREG is set to 0). Therefore, even if a falling edge is input to another pin in this period, a key interrupt (INTKR) will not be generated again (<1> in the figure).

Figure 18-7. Operation of INTKR Signal When Key Interrupts Are Input to Multiple Channels (When KRMD = 0 and KREG = 0)



- Notes 1.** The maximum delay time is the maximum value of the high-level width and low-level width of the key interrupt input (see **30.4** or **31.4 AC Characteristics** for details).
- 2.** Acknowledgment of vectored interrupt request or bit cleared by software

18.4.2 When using the key interrupt flag (KRMD = 1)

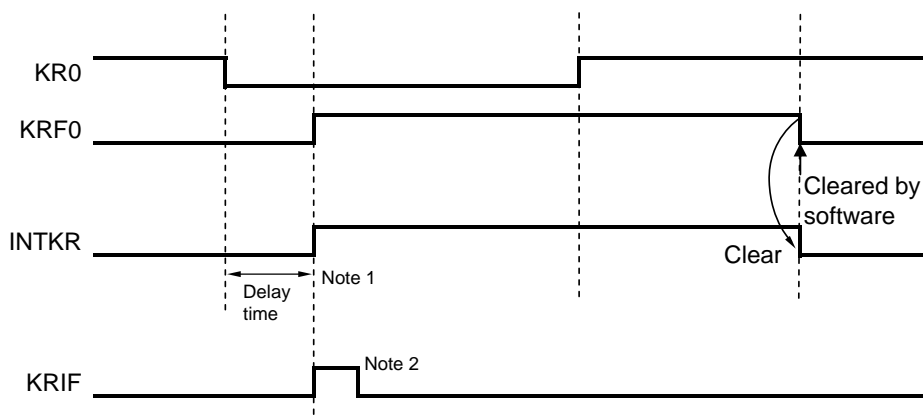
A key interrupt (INTKR) is generated when the valid edge specified by the setting of the KREG bit is input to a key interrupt pin (KR0 to KR3). The channels to which the valid edge was input can be identified by reading the key return flag register (KRF) after the key interrupt (INTKR) is generated.

If the KRMD bit is set to 1, the INTKR signal is cleared by clearing the corresponding bit in the KRF register.

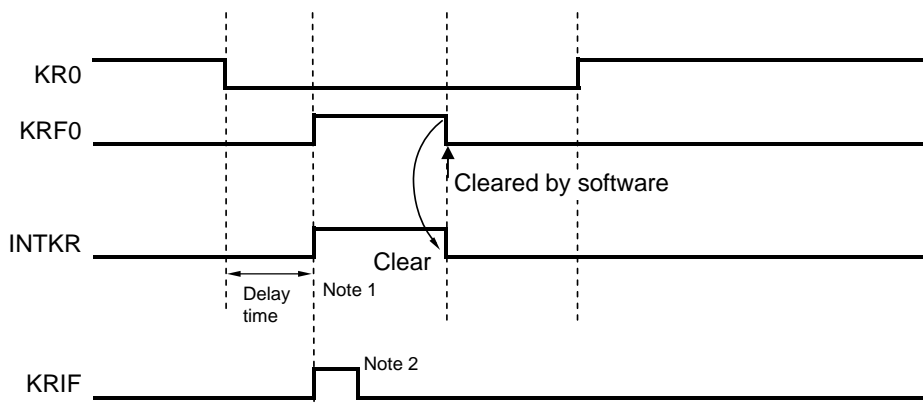
As shown in Figure 18-8, only one interrupt is generated each time a falling edge is input to one channel (when KREG = 0), regardless of whether the KRFn bit is cleared before or after a rising edge is input.

Figure 18-8. Basic Operation of the INTKR Signal When the Key Interrupt Flag Is Used (When KRMD = 1 and KREG = 0)

(a) When KRF0 is cleared after a rising edge is input to the KR0 pin



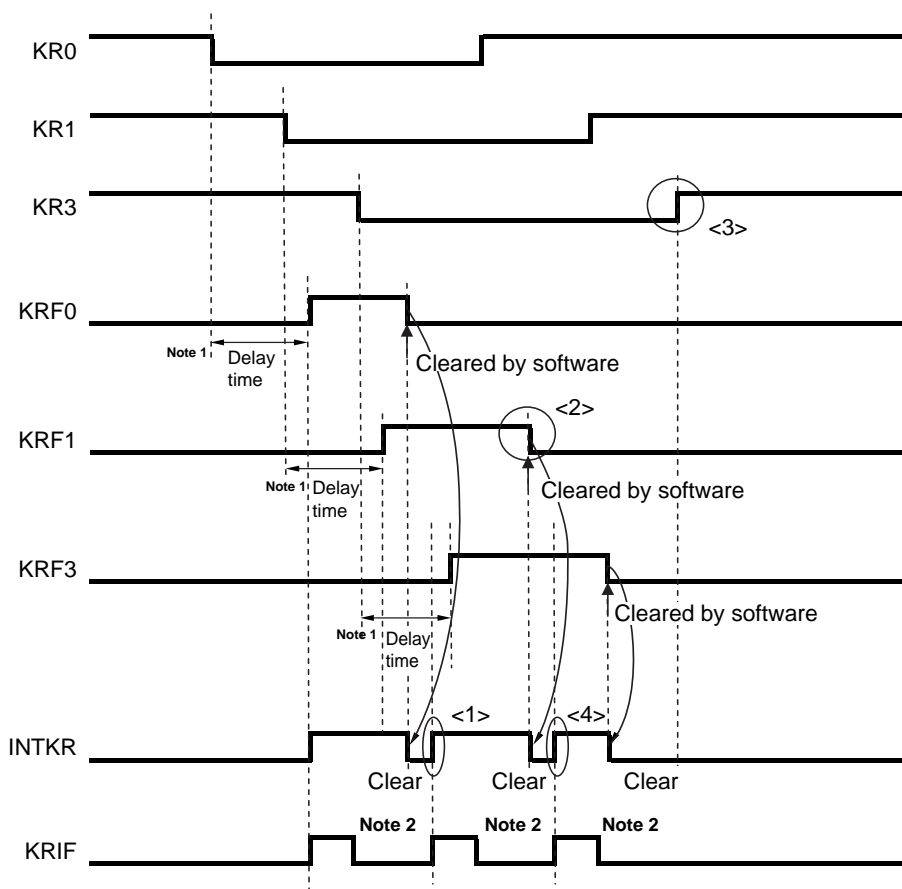
(b) When KRF0 is cleared before a rising edge is input to the KR0 pin



- Notes 1.** The maximum delay time is the maximum value of the high-level width and low-level width of the key interrupt input (see 30.4 or 31.4 AC Characteristics for details).
- 2.** Acknowledgment of vectored interrupt request or bit cleared by software

The operation when a valid edge is input to multiple key interrupt input pins is shown in Figure 18-9 below. A falling edge is also input to the KR1 and KR3 pins after a falling edge was input to the KR0 pin (when KREG = 0). The KRF1 bit is set when the KRF0 bit is cleared. A key interrupt (INTKR) is therefore generated one clock (f_{CLK}) after the KRF0 bit is cleared (<1> in the figure). Also, after a falling edge has been input to the KR3 pin, a low level continues to be input to this pin (<3> in the figure) until the KRF1 bit is cleared (<2> in the figure). A key interrupt (INTKR) is therefore generated one clock (f_{CLK}) after the KRF1 bit is cleared (<4> in the figure). It is thus possible to generate a key interrupt (INTKR) when a valid edge is input to multiple channels.

Figure 18-9. Operation of INTKR Signal When Key Interrupts Are Input to Multiple Channels (When KRMD = 1 and KREG = 0)



- Notes 1.** The maximum delay time is the maximum value of the high-level width and low-level width of the key interrupt input (see 30.4 or 31.4 AC Characteristics for details).
- 2.** Acknowledgment of vectored interrupt request or bit cleared by software

Remark f_{CLK} : CPU/peripheral hardware clock frequency

CHAPTER 19 STANDBY FUNCTION

19.1 Standby Function and Configuration

19.1.1 Standby function

The standby function reduces the operating current of the system, and the following three modes are available.

(1) HALT mode

HALT instruction execution sets the HALT mode. In the HALT mode, the CPU operation clock is stopped. If the high-speed system clock oscillator, high-speed on-chip oscillator, or subsystem clock oscillator is operating before the HALT mode is set, oscillation of each clock continues. In this mode, the operating current is not decreased as much as in the STOP mode, but the HALT mode is effective for restarting operation immediately upon interrupt request generation and carrying out intermittent operations frequently.

(2) STOP mode

STOP instruction execution sets the STOP mode. In the STOP mode, the high-speed system clock oscillator and high-speed on-chip oscillator stop, stopping the whole system, thereby considerably reducing the CPU operating current.

Because this mode can be cleared by an interrupt request, it enables intermittent operations to be carried out. However, because a wait time is required to secure the oscillation stabilization time after the STOP mode is released when the X1 clock is selected, select the HALT mode if it is necessary to start processing immediately upon interrupt request generation.

(3) SNOOZE mode

In the case of CSI00 or UART0 data reception and an A/D conversion request by the timer trigger signal (the interrupt request signal (INTRTC/INTIT)), the STOP mode is exited, the CSI00 or UART0 data is received without operating the CPU, and A/D conversion is performed. This can only be specified when the high-speed on-chip oscillator is selected for the CPU/peripheral hardware clock (f_{CLK}).

In either of these two modes, all the contents of registers, flags and data memory just before the standby mode is set are held. The I/O port output latches and output buffer statuses are also held.

- Cautions**
1. The STOP mode can be used only when the CPU is operating on the main system clock. Do not set to the STOP mode while the CPU operates with the subsystem clock. The HALT mode can be used when the CPU is operating on either the main system clock or the subsystem clock.
 2. When shifting to the STOP mode, be sure to stop the peripheral hardware operation operating with main system clock before executing STOP instruction (except SNOOZE mode setting unit).
 3. When using CSI00, UART0, or the A/D converter in the SNOOZE mode, set up serial standby control register 0 (SSC0) and A/D converter mode register 2 (ADM2) before switching to the STOP mode. For details, see 12.3 Registers Controlling Serial Array Unit and 11.3 Registers Used in A/D Converter.
 4. The following sequence is recommended for power consumption reduction of the A/D converter when the standby function is used: First clear bit 7 (ADCS) and bit 0 (ADCE) of A/D converter mode register 0 (ADM0) to 0 to stop the A/D conversion operation, and then execute the STOP instruction.
 5. It can be selected by the option byte whether the low-speed on-chip oscillator continues oscillating or stops in the HALT or STOP mode. For details, see CHAPTER 25 OPTION BYTE.

19.2 Registers controlling standby function

The registers which control the standby function are described below.

- <R>
- Subsystem clock supply mode control register (OSMC)
 - Oscillation stabilization time counter status register (OSTC)
 - Oscillation stabilization time select register (OSTS)

Remark For details of registers described above, see **CHAPTER 5 CLOCK GENERATOR**. For registers which control the SNOOZE mode, see **CHAPTER 11 A/D CONVERTER** and **CHAPTER 12 SERIAL ARRAY UNIT**.

19.3 Standby Function Operation

19.3.1 HALT mode

(1) HALT mode

The HALT mode is set by executing the HALT instruction. HALT mode can be set regardless of whether the CPU clock before the setting was the high-speed system clock, high-speed on-chip oscillator clock, or subsystem clock.

The operating statuses in the HALT mode are shown below.

- <R>
- Caution** Because the interrupt request signal is used to clear the HALT mode, if the interrupt mask flag is 0 (the interrupt processing is enabled) and the interrupt request flag is 1 (the interrupt request signal is generated), the HALT mode is not entered even if the HALT instruction is executed in such a situation.

Table 19-1. Operating Statuses in HALT Mode (1/2)

HALT Mode Setting		When HALT Instruction Is Executed While CPU Is Operating on Main System Clock		
		When CPU Is Operating on High-Speed On-Chip Oscillator Clock (f_{IH})	When CPU Is Operating on X1 Clock (f_x)	When CPU Is Operating on External Main System Clock (f_{EX})
System clock		Clock supply to the CPU is stopped		
Main system clock	f_{IH}	Operation continues (cannot be stopped)	Operation disabled	
	f_x	Operation disabled	Operation continues (cannot be stopped)	Cannot operate
	f_{EX}		Cannot operate	Operation continues (cannot be stopped)
Subsystem clock	f_{XT}	Status before HALT mode was set is retained		
	f_{EXS}			
f_{IL}		Set by bits 0 (WDSTBYON) and 4 (WDTON) of option byte (000C0H), and WUTMMCK0 bit of subsystem clock supply mode control register (OSMC) <ul style="list-style-type: none"> • WUTMMCK0 = 1: Oscillates • WUTMMCK0 = 0 and WDTON = 0: Stops • WUTMMCK0 = 0, WDTON = 1, and WDSTBYON = 1: Oscillates • WUTMMCK0 = 0, WDTON = 1, and WDSTBYON = 0: Stops 		
CPU		Operation stopped		
Code flash memory				
Data flash memory				
RAM				
Port (latch)				
Timer array unit		Operable		
Real-time clock (RTC)		See CHAPTER 10 WATCHDOG TIMER		
12-bit interval timer				
Watchdog timer				
Clock output/buzzer output				
A/D converter		Operable		
Serial array unit (SAU)				
Serial interface (IICA)				
LCD driver/controller				
Multiplier and divider/multiply-accumulator		Operable		
DMA controller				
Power-on-reset function				
Voltage detection function				
External interrupt				
Key interrupt function				
CRC operation function				
	High-speed CRC			
	General-purpose CRC	Operable when DMA is executed only		
RAM parity error detection function				
RAM guard function				
SFR guard function				
Illegal-memory access detection function				

Remark Operation stopped: Operation is automatically stopped before switching to the HALT mode.
 Operation disabled: Operation is stopped before switching to the HALT mode.
 f_{IH} : High-speed on-chip oscillator clock f_{IL} : Low-speed on-chip oscillator clock
 f_x : X1 clock f_{EX} : External main system clock
 f_{XT} : XT1 clock f_{EXS} : External subsystem clock

Table 19-1. Operating Statuses in HALT Mode (2/2)

HALT Mode Setting Item		When HALT Instruction Is Executed While CPU Is Operating on Subsystem Clock	
		When CPU Is Operating on XT1 Clock (f _{XT})	When CPU Is Operating on External Subsystem Clock (f _{EXS})
System clock		Clock supply to the CPU is stopped	
Main system clock	f _{IH}	Operation disabled	
	f _X		
	f _{EX}		
Subsystem clock	f _{XT}	Operation continues (cannot be stopped)	Cannot operate
	f _{EXS}	Cannot operate	Operation continues (cannot be stopped)
f _{IL}		Set by bits 0 (WDSTBYON) and 4 (WDTON) of option byte (000C0H), and WUTMMCK0 bit of subsystem clock supply mode control register (OSMC) <ul style="list-style-type: none"> • WUTMMCK0 = 1: Oscillates • WUTMMCK0 = 0 and WDTON = 0: Stops • WUTMMCK0 = 0, WDTON = 1, and WDSTBYON = 1: Oscillates • WUTMMCK0 = 0, WDTON = 1, and WDSTBYON = 0: Stops 	
CPU		Operation stopped	
Code flash memory		Operation stopped	
Data flash memory			
RAM			
Port (latch)			
Port (latch)		Status before HALT mode was set is retained	
Timer array unit		Operates when the RTCLPC bit is 0 (operation is disabled when the RTCLPC bit is not 0).	
Real-time clock (RTC)		Operable	
12-bit interval timer		See CHAPTER 10 WATCHDOG TIMER	
Watchdog timer			
Clock output/buzzer output		Operates when the RTCLPC bit is 0 (operation is disabled when the RTCLPC bit is not 0).	
A/D converter		Operation disabled	
Serial array unit (SAU)		Operates when the RTCLPC bit is 0 (operation is disabled when the RTCLPC bit is not 0).	
Serial interface (IICA)		Operation disabled	
LCD driver/controller		Operable (However, this depends on the status of the clock selected as the LCD source clock: operation is possible if the selected clock is operating, but operation will stop if the selected clock is stopped.)	
Multiplier and divider/multiply-accumulator		Operates when the RTCLPC bit is 0 (operation is disabled when the RTCLPC bit is not 0).	
DMA controller		Operable	
Power-on-reset function			
Voltage detection function			
External interrupt			
Key interrupt function			
CRC operation function	High-speed CRC	Operation disabled	
	General-purpose CRC	In the calculation of the RAM area, operable when DMA is executed only	
RAM parity error detection function		Operable when DMA is executed only	
RAM guard function			
SFR guard function			
Illegal-memory access detection function		Operation stopped	

Remark Operation stopped: Operation is automatically stopped before switching to the HALT mode.

Operation disabled: Operation is stopped before switching to the HALT mode.

f_{IH}: High-speed on-chip oscillator clock

f_{EX}: External main system clock

f_{IL}: Low-speed on-chip oscillator clock

f_{XT}: XT1 clock

f_X: X1 clock

f_{EXS}: External subsystem clock

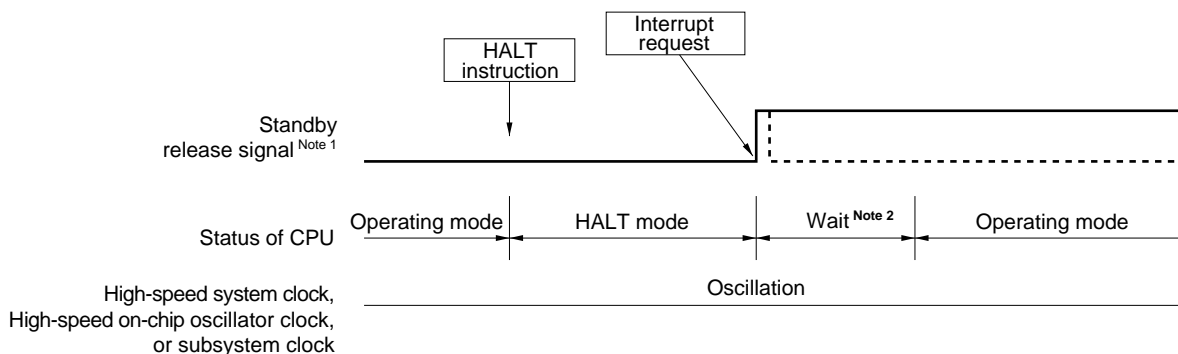
(2) HALT mode release

The HALT mode can be released by the following two sources.

(a) Release by unmasked interrupt request

When an unmasked interrupt request is generated, the HALT mode is released. If interrupt acknowledgment is enabled, vectored interrupt servicing is carried out. If interrupt acknowledgment is disabled, the next address instruction is executed.

Figure 19-1. HALT Mode Release by Interrupt Request Generation



Notes 1. For details of the standby release signal, see **Figure 17-1**.

2. Wait time for HALT mode release

- When vectored interrupt servicing is carried out
 - Main system clock: 15 to 16 clock
 - Subsystem clock (RTCLPC = 0): 10 to 11 clock
 - Subsystem clock (RTCLPC = 1): 11 to 12 clock
- When vectored interrupt servicing is not carried out
 - Main system clock: 9 to 10 clock
 - Subsystem clock (RTCLPC = 0): 4 to 5 clock
 - Subsystem clock (RTCLPC = 1): 5 to 6 clock

Remark The broken lines indicate the case when the interrupt request which has released the standby mode is acknowledged.

<R>

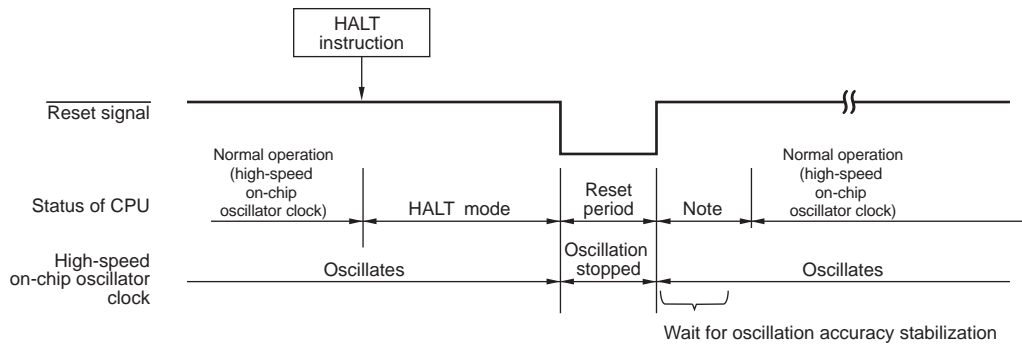
(b) Release by reset signal generation

When the reset signal is generated, HALT mode is released, and then, as in the case with a normal reset operation, the program is executed after branching to the reset vector address.

Figure 19-2. HALT Mode Release by Reset (1/2)

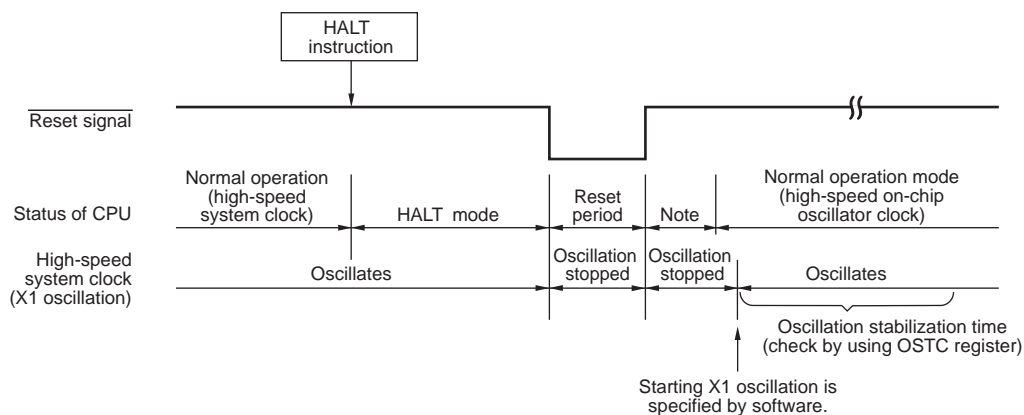
<R>

(1) When high-speed on-chip oscillator clock is used as CPU clock



<R>

(2) When high-speed system clock is used as CPU clock

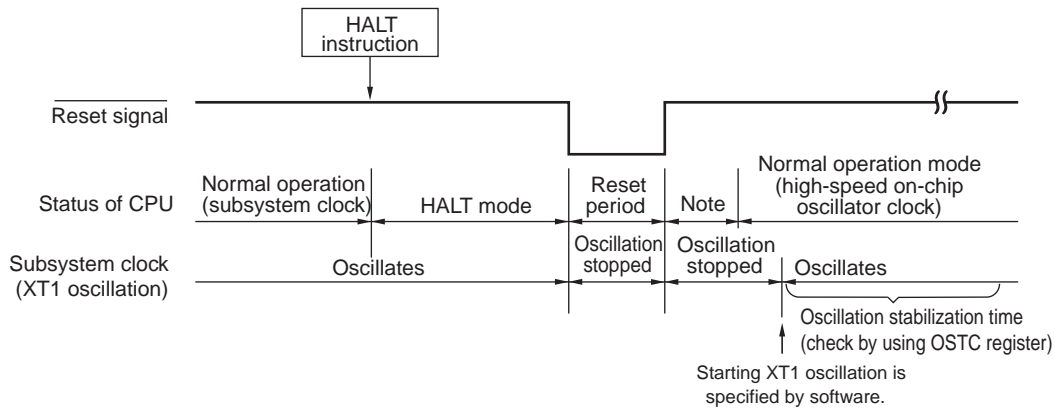


Note For the reset processing time, see **CHAPTER 20 RESET FUNCTION**.

For the reset processing time of the power-on-reset circuit (POR) and voltage detector (LVD), see **CHAPTER 21 POWER-ON-RESET CIRCUIT**.

Figure 19-2. HALT Mode Release by Reset (2/2)

(3) When subsystem clock is used as CPU clock



Note For the reset processing time, see **CHAPTER 20 RESET FUNCTION**.

For the reset processing time of the power-on-reset circuit (POR) and voltage detector (LVD), see **CHAPTER 21 POWER-ON-RESET CIRCUIT**.

19.3.2 STOP mode

(1) STOP mode setting and operating statuses

The STOP mode is set by executing the STOP instruction, and it can be set only when the CPU clock before the setting was the main system clock.

- Cautions**
1. Because the interrupt request signal is used to clear the STOP mode, if there is an interrupt source with the interrupt request flag set and the interrupt mask flag reset, the STOP mode is immediately cleared if set. Thus, when a STOP instruction is executed in this situation, the system returns to its normal operating mode as soon as the wait time set by using the oscillation stabilization time select register (OSTS) has elapsed. Note that the operating current during this period is the same as in the HALT mode because the clock is not stopped.
 2. When using CSI00, UART0, or the A/D converter in the SNOOZE mode, set up serial standby control register 0 (SSC0) and A/D converter mode register 2 (ADM2) before switching to the STOP mode. For details, see 12.3 Registers Controlling Serial Array Unit and 11.3 Registers Used in A/D Converter.

The operating statuses in the STOP mode are shown below.

Table 19-2. Operating Statuses in STOP Mode

STOP Mode Setting		When STOP Instruction Is Executed While CPU Is Operating on Main System Clock		
Item		When CPU Is Operating on High-Speed On-Chip Oscillator Clock (f_{IH})	When CPU Is Operating on X1 Clock (f_x)	When CPU Is Operating on External Main System Clock (f_{EX})
System clock		Clock supply to the CPU is stopped		
Main system clock	f_{IH}	Stopped		
	f_x			
	f_{EX}			
Subsystem clock	f_{XT}	Status before STOP mode was set is retained		
	f_{EXS}			
f_{IL}		Set by bits 0 (WDSTBYON) and 4 (WDTON) of option byte (000C0H), and WUTMMCK0 bit of subsystem clock supply mode control register (OSMC) <ul style="list-style-type: none"> • WUTMMCK0 = 1: Oscillates • WUTMMCK0 = 0 and WDTON = 0: Stops • WUTMMCK0 = 0, WDTON = 1, and WDSTBYON = 1: Oscillates • WUTMMCK0 = 0, WDTON = 1, and WDSTBYON = 0: Stops 		
CPU		Operation stopped		
Code flash memory				
Data flash memory		Operation stopped		
RAM		Operation stopped		
Port (latch)		Status before STOP mode was set is retained		
Timer array unit		Operation disabled		
Real-time clock (RTC)		Operable		
12-bit interval timer				
Watchdog timer		See CHAPTER 10 WATCHDOG TIMER		
Clock output/buzzer output		Operates when the subsystem clock is selected as the clock source for counting and the RTCLPC bit is 0 (operation is disabled when a clock other than the subsystem clock is selected and the RTCLPC bit is not 0).		
A/D converter		Wakeup operation is enabled (switching to the SNOOZE mode)		
Serial array unit (SAU)		Wakeup operation is enabled only for CSI00 and UART0 (switching to the SNOOZE mode) Operation is disabled for anything other than CSI00 and UART0		
Serial interface (IICA)		Wakeup by address match operable		
LCD driver/controller		Operable (However, this depends on the status of the clock selected as the LCD source clock: operation is possible if the selected clock is operating, but operation will stop if the selected clock is stopped.)		
Multiplier and divider/multiply-accumulator		Operation disabled		
DMA controller				
Power-on-reset function		Operable		
Voltage detection function				
External interrupt				
Key interrupt function				
CRC operation function	High-speed CRC	Operation stopped		
	General-purpose CRC			
RAM parity error detection function				
RAM guard function				
SFR guard function				
Illegal-memory access detection function				

Remark Operation stopped: Operation is automatically stopped before switching to the STOP mode.

Operation disabled: Operation is stopped before switching to the STOP mode.

f_{IH} : High-speed on-chip oscillator clock f_{IL} : Low-speed on-chip oscillator clock

f_x : X1 clock f_{EX} : External main system clock

f_{XT} : XT1 clock f_{EXS} : External subsystem clock

- Cautions**
- To stop the low-speed on-chip oscillator clock in the STOP mode, must previously be set an option byte to stop the watchdog timer operation in the HALT/STOP mode (bit 0 (WDSTBYON) of 000C0H = 0).
 - To shorten oscillation stabilization time after the STOP mode is released when the CPU operates with the high-speed system clock (X1 oscillation), temporarily switch the CPU clock to the high-speed on-chip oscillator clock before the execution of the STOP instruction. Before changing the CPU clock from the high-speed on-chip oscillator clock to the high-speed system clock (X1 oscillation) after the STOP mode is released, check the oscillation stabilization time with the oscillation stabilization time counter status register (OSTC).

(2) STOP mode release

The STOP mode can be released by the following two sources.

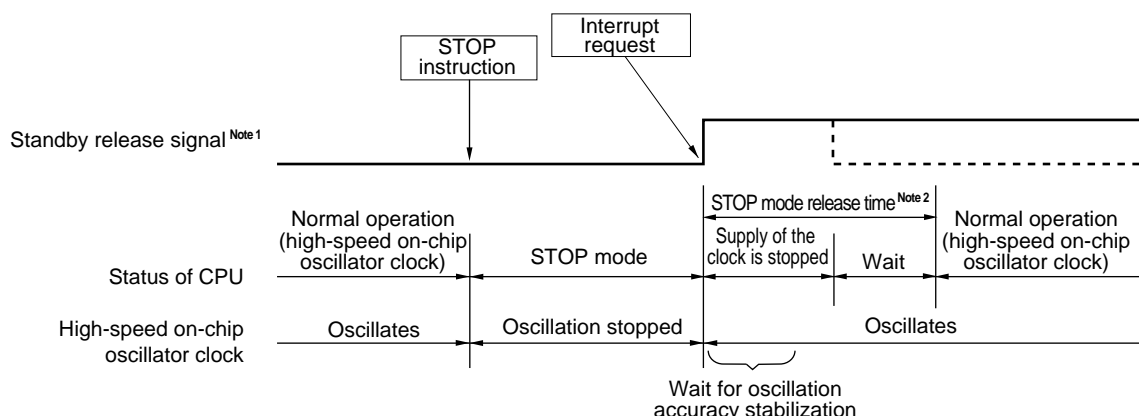
(a) Release by unmasked interrupt request

When an unmasked interrupt request is generated, the STOP mode is released. After the oscillation stabilization time has elapsed, if interrupt acknowledgment is enabled, vectored interrupt servicing is carried out. If interrupt acknowledgment is disabled, the next address instruction is executed.

Figure 19-3. STOP Mode Release by Interrupt Request Generation (1/2)

<R>

(1) When high-speed on-chip oscillator clock is used as CPU clock



- Notes**
- For details of the standby release signal, see **Figure 17-1**.
 - STOP mode release time

<R>

Supply of the clock is stopped: 18 μs to 65 μs

Wait

- When vectored interrupt servicing is carried out: 7 clocks
- When vectored interrupt servicing is not carried out: 1 clock

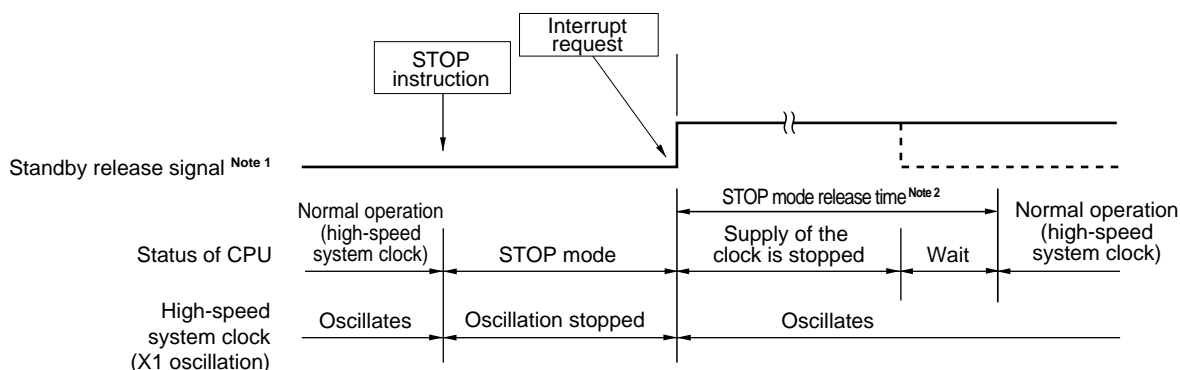
Remarks 1. The clock supply stop time varies depending on the temperature conditions and STOP mode period.

<R>

2. The broken lines indicate the case when the interrupt request that has released the standby mode is acknowledged.

Figure 19-3. STOP Mode Release by Interrupt Request Generation (2/2)

<R> (2) When high-speed system clock (X1 oscillation) is used as CPU clock

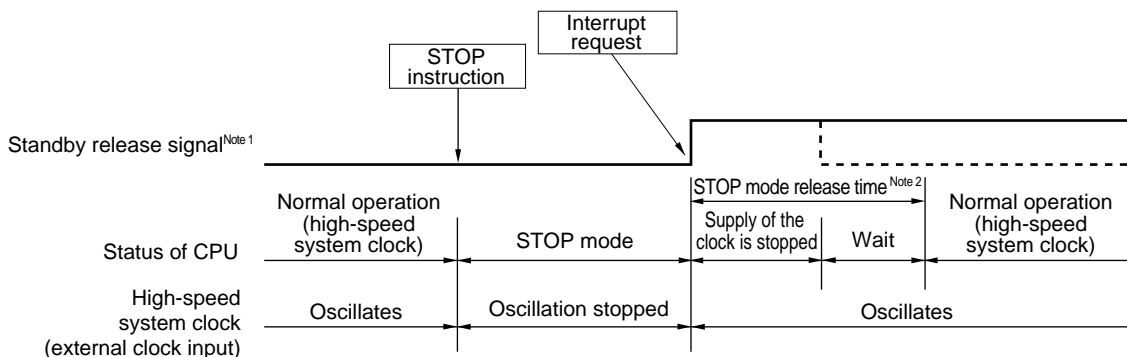


Notes 1. For details of the standby release signal, see Figure 17-1.

2. STOP mode release time

- <R> Supply of the clock is stopped: 18 μs to "whichever is longer 65 μs and the oscillation stabilization time (set by OSTs)"
- Wait
- When vectored interrupt servicing is carried out: 10 to 11 clocks
 - When vectored interrupt servicing is not carried out: 4 to 5 clocks

(3) When high-speed system clock (external clock input) is used as CPU clock



Notes 1. For details of the standby release signal, see Figure 17-1.

2. STOP mode release time

- <R> Supply of the clock is stopped: 18 μs to 65 μs
- Wait
- When vectored interrupt servicing is carried out: 7 clocks
 - When vectored interrupt servicing is not carried out: 1 clock

Caution To reduce the oscillation stabilization time after release from the STOP mode while CPU operates based on the high-speed system clock (X1 oscillation), switch the clock to the high-speed on-chip oscillator clock temporarily before executing the STOP instruction.

Remarks 1. The clock supply stop time varies depending on the temperature conditions and STOP mode period.

2. The broken lines indicate the case when the interrupt request that has released the standby mode is acknowledged.

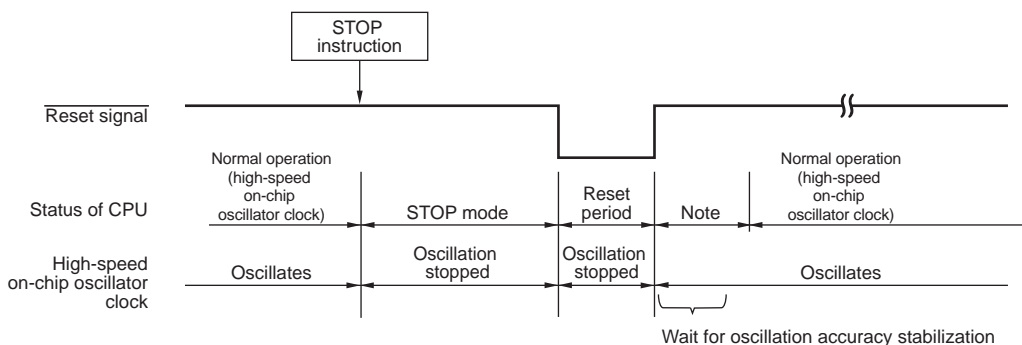
(b) Release by reset signal generation

When the reset signal is generated, STOP mode is released, and then, as in the case with a normal reset operation, the program is executed after branching to the reset vector address.

Figure 19-4. STOP Mode Release by Reset

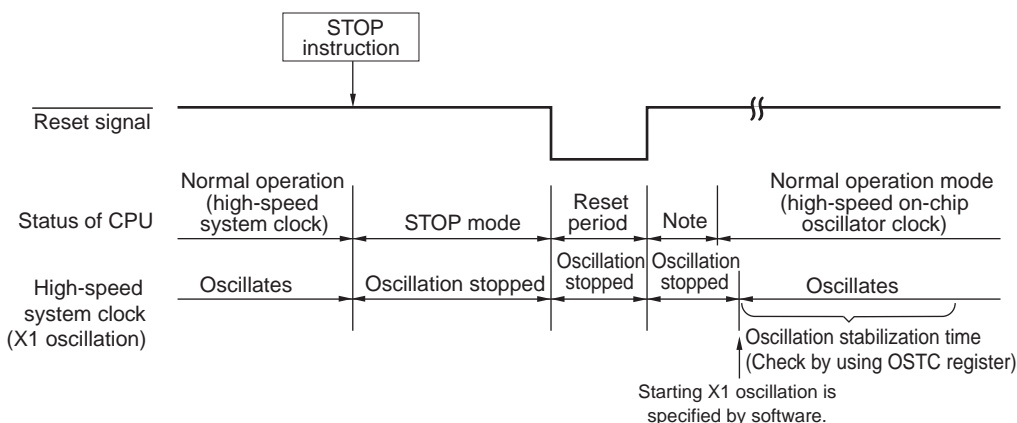
<R>

(1) When high-speed on-chip oscillator clock is used as CPU clock



<R>

(2) When high-speed system clock is used as CPU clock



Note For the reset processing time, see **CHAPTER 20 RESET FUNCTION**.
 For the reset processing time of the power-on-reset circuit (POR) and voltage detector (LVD), see **CHAPTER 21 POWER-ON-RESET CIRCUIT**.

19.3.3 SNOOZE mode

(1) SNOOZE mode setting and operating statuses

The SNOOZE mode can only be specified for CSI00, UART0, or the A/D converter. Note that this mode can only be specified if the CPU clock is the high-speed on-chip oscillator clock.

When using CSI00 or UART0 in the SNOOZE mode, set the SWCm bit of the serial standby control register m (SSCm) to 1 immediately before switching to the STOP mode. For details, see **12.3 Registers Controlling Serial Array Unit**.

When using the A/D converter in the SNOOZE mode, set the AWC bit of the A/D converter mode register 2 (ADM2) to 1 immediately before switching to the STOP mode. For details, see **11.3 Registers Used in A/D Converter**.

In SNOOZE mode transition, wait status to be only following time.

<R> Transition time from STOP mode to SNOOZE mode: 18 μ s to 65 μ s

<R> **Remark** Transition time from STOP mode to SNOOZE mode varies depending on the temperature conditions and the STOP mode period.

<R> From SNOOZE to normal operation

- When vectored interrupt servicing is carried out:
 - HS (High-speed main) mode : 4.99 to 9.44 μ s + 7 clocks
 - LS (Low-speed main) mode : 1.10 to 5.08 μ s + 7 clocks
 - LV (Low-voltage main) mode : 16.58 to 25.40 μ s + 7 clocks
- When vectored interrupt servicing is not carried out:
 - HS (High-speed main) mode : 4.99 to 9.44 μ s + 1 clock
 - LS (Low-speed main) mode : 1.10 to 5.08 μ s + 1 clock
 - LV (Low-voltage main) mode : 16.58 to 25.40 μ s + 1 clock

The operating statuses in the SNOOZE mode are shown below.

Table 19-3. Operating Statuses in SNOOZE Mode

STOP Mode Setting		When Inputting CSI00/UART0 Data Reception Signal or A/D Converter Timer Trigger Signal While in STOP Mode
Item		When CPU Is Operating on High-Speed On-Chip Oscillator Clock (f _H)
System clock		Clock supply to the CPU is stopped
Main system clock	f _H	Operation started
	f _X	Stopped
	f _{EX}	
Subsystem clock	f _{XT}	Use of the status while in the STOP mode continues
	f _{EXS}	
f _L		Set by bits 0 (WDSTBYON) and 4 (WDTON) of option byte (000C0H), and WUTMMCK0 bit of subsystem clock supply mode control register (OSMC) <ul style="list-style-type: none"> • WUTMMCK0 = 1: Oscillates • WUTMMCK0 = 0 and WDTON = 0: Stops • WUTMMCK0 = 0, WDTON = 1, and WDSTBYON = 1: Oscillates • WUTMMCK0 = 0, WDTON = 1, and WDSTBYON = 0: Stops
CPU		Operation stopped
Code flash memory		
Data flash memory		
RAM		
Port (latch)		Use of the status while in the STOP mode continues
Timer array unit		Operation disabled
Real-time clock (RTC)		Operable
12-bit interval timer		
Watchdog timer		See CHAPTER 10 WATCHDOG TIMER
Clock output/buzzer output		Operates when the subsystem clock is selected as the clock source for counting and the RTCLPC bit is 0 (operation is disabled when a clock other than the subsystem clock is selected and the RTCLPC bit is not 0).
A/D converter		Operable
Serial array unit (SAU)		Operable only CSI00 and UART0 only. Operation disabled other than CSI00 and UART0.
Serial interface (IICA)		Operation disabled
LCD driver/controller		Operable (However, this depends on the status of the clock selected as the LCD source clock: operation is possible if the selected clock is operating, but operation will stop if the selected clock is stopped.)
Multiplier and divider/multiply-accumulator		Operation disabled
DMA controller		
Power-on-reset function		Operable
Voltage detection function		
External interrupt		
Key interrupt function		
CRC operation function	High-speed CRC	Operation stopped
	General-purpose CRC	
RAM parity error detection function		
RAM guard function		
SFR guard function		
Illegal-memory access detection function		

Remark Operation stopped: Operation is automatically stopped before switching to the SNOOZE mode.

Operation disabled: Operation is stopped before switching to the SNOOZE mode.

f_H: High-speed on-chip oscillator clock f_L: Low-speed on-chip oscillator clock

f_X: X1 clock f_{EX}: External main system clock

f_{XT}: XT1 clock f_{EXS}: External subsystem clock

CHAPTER 20 RESET FUNCTION

The following seven operations are available to generate a reset signal.

- (1) External reset input via $\overline{\text{RESET}}$ pin
- (2) Internal reset by watchdog timer program loop detection
- (3) Internal reset by comparison of supply voltage and detection voltage of power-on-reset (POR) circuit
- (4) Internal reset by comparison of supply voltage of the voltage detector (LVD) and detection voltage
- (5) Internal reset by execution of illegal instruction^{Note}
- (6) Internal reset by RAM parity error
- (7) Internal reset by illegal-memory access

External and internal resets start program execution from the address stored at 0000H and 0001H when the reset signal is generated.

A reset is effected when a low level is input to the $\overline{\text{RESET}}$ pin, the watchdog timer overflows, or by POR and LVD circuit voltage detection, execution of illegal instruction^{Note}, RAM parity error or illegal-memory access, and each item of hardware is set to the status shown in Table 20-1.

Note The illegal instruction is generated when instruction code FFH is executed.

Reset by the illegal instruction execution not issued by emulation with the in-circuit emulator or on-chip debug emulator.

Cautions 1. For an external reset, input a low level for 10 μs or more to the $\overline{\text{RESET}}$ pin.

To perform an external reset upon power application, input a low level to the $\overline{\text{RESET}}$ pin, turn power on, continue to input a low level to the pin for 10 μs or more within the operating voltage range shown in 30.4 or 31.4 AC Characteristics, and then input a high level to the pin.

2. During reset input, the X1 clock, XT1 clock, high-speed on-chip oscillator clock, and low-speed on-chip oscillator clock stop oscillating. External main system clock input and external subsystem clock input become invalid.

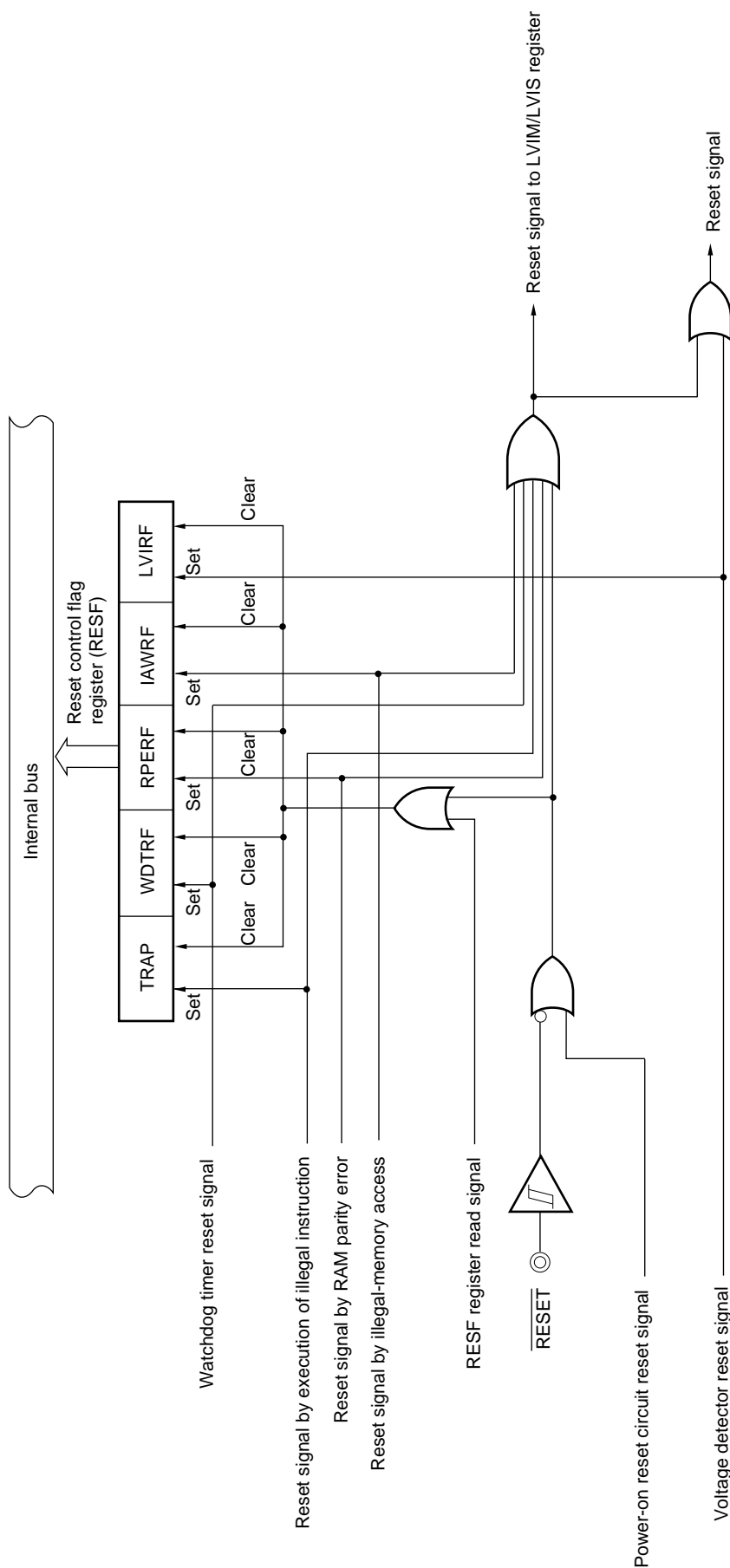
<R> 3. The port pins become the following state because each SFR and 2nd SFR are initialized after reset.

- P40: High-impedance during the external reset period or reset period by the POR. High level during other types of reset or after receiving a reset signal (connected to the internal pull-up resistor).
- P130: Low level during the reset period or after receiving a reset signal.
- Ports other than P40 and P130: High-impedance during the reset period or after receiving a reset signal.

Remark V_{POR} : POR power supply rise detection voltage

<R> V_{LVD} : LVD detection voltage

Figure 20-1. Block Diagram of Reset Function



Caution An LVD circuit internal reset does not reset the LVD circuit.

Remarks 1. LVIM: Voltage detection register

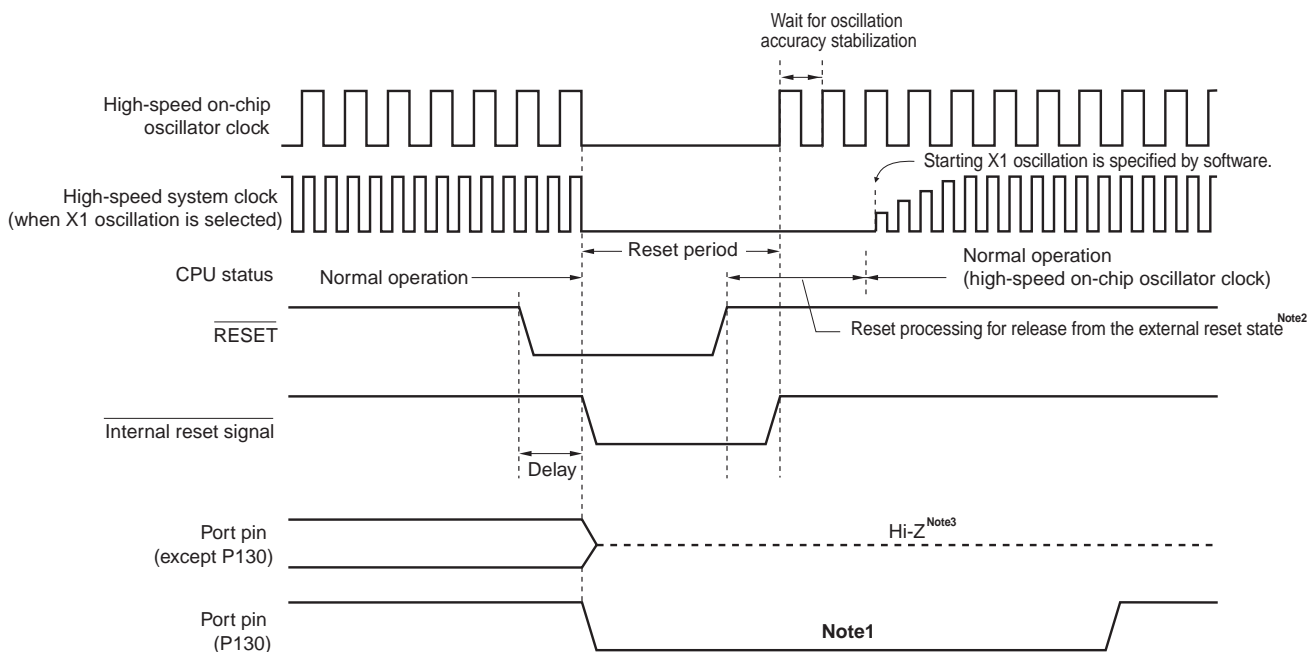
2. LVIS: Voltage detection level register

20.1 Timing of Reset Operation

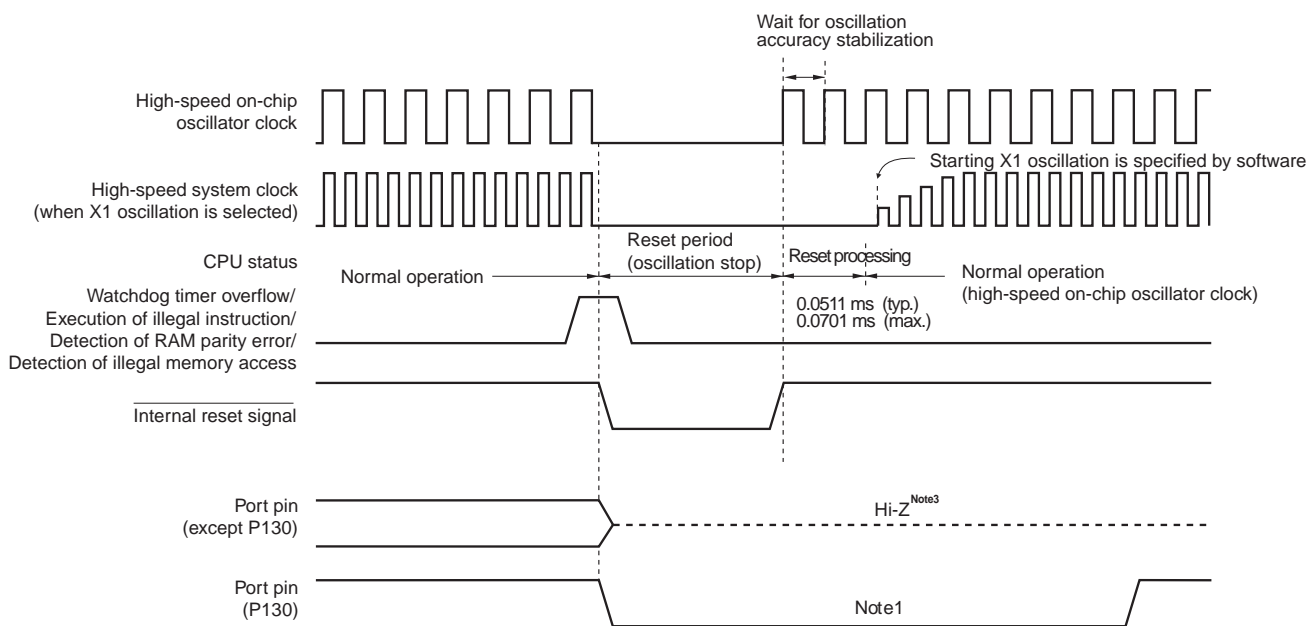
This LSI is reset by input of the low level on the $\overline{\text{RESET}}$ pin and released from the reset state by input of the high level on the $\overline{\text{RESET}}$ pin. After reset processing, execution of the program with the high-speed on-chip oscillator clock as the operating clock starts.

<R>

Figure 20-2. Timing of Reset by $\overline{\text{RESET}}$ Input



<R> Figure 20-3. Timing of Reset Due to Execution of Illegal Instruction, Watchdog Timer Overflow, RAM Parity Error, or Illegal Memory Access Overflow



(Notes, Caution, and Remark are listed on the next page.)

Notes 1. When P130 is set to high-level output before reset is effected, the output signal of P130 can be dummy-output as a reset signal to an external device, because P130 outputs a low level when reset is effected. To release a reset signal to an external device, set P130 to high-level output by software.

2. Reset times (times for release from the external reset state)

After the first release of the POR: 0.672 ms (typ.), 0.832 ms (max.) when the LVD is in use.

0.399 ms (typ.), 0.519 ms (max.) when the LVD is off.

After the second release of the POR: 0.531 ms (typ.), 0.675 ms (max.) when the LVD is in use.

0.259 ms (typ.), 0.362 ms (max.) when the LVD is off.

After power is supplied, a voltage stabilization waiting time of about 0.99 ms (typ.) and up to 2.30 ms (max.) is required before reset processing starts after release of the external reset.

- <R> 3. The state of P40 is as follows.
- High-impedance during the external reset period or reset period by the POR.
 - High level during other types of reset or after receiving a reset signal (connected to the internal pull-up resistor).

Caution A watchdog timer internal reset resets the watchdog timer.

Remark For the reset timing of the power-on-reset circuit and voltage detector, see **CHAPTER 21 POWER-ON-RESET CIRCUIT** and **CHAPTER 22 VOLTAGE DETECTOR**.

20.2 States of Operation During Reset Periods

Table 20-1 shows the states of operation during reset periods. Table 20-2 shows the states of the hardware after receiving a reset signal.

Table 20-1. States of Operation During Reset Period

Item		During Reset Period	
System clock		Clock supply to the CPU is stopped.	
Main system clock	f_{IH}	Operation stopped	
	f_X	Operation stopped (the X1 and X2 pins are input port mode)	
	f_{EX}	Clock input invalid (the pin is input port mode)	
Subsystem clock	f_{XT}	Operation stopped (the XT1 and XT2 pins are input port mode)	
	f_{EXS}	Clock input invalid (the pin is input port mode)	
f_{IL}		Operation stopped	
CPU		Operation stopped	
Code flash memory		Operation stopped	
Data flash memory		Operation stopped	
RAM		Operation stopped	
<R>	Port (latch)	High impedance ^{Note}	
Timer array unit		Operation stopped	
Real-time clock (RTC)			
12-bit interval timer			
Watchdog timer			
Clock output/buzzer output			
A/D converter			
Serial array unit (SAU)			
Serial interface (IICA)			
LCD controller/driver			Operation stopped (COM only pin, COM/SEG alternate pin: GND output, SEG/general-purpose port alternate pin: high-impedance output, V_{L1} to V_{L4} pins: high-impedance output, CAPH/P127 pin, CAPL/P126 pin: high-impedance output)
Multiplier & divider, multiply-accumulator			Operation stopped
DMA controller			
Power-on-reset function		Detection operation possible	
Voltage detection function		Operation stopped	
External interrupt		Operation stopped	
Key interrupt function			
CRC operation function	High-speed CRC		
	General-purpose CRC		
RAM parity error detection function			
RAM guard function			
SFR guard function			
Illegal-memory access detection function			

(Note and Remark are listed on the next page.)

- <R> **Note** P40 and P130 become the following state.
- P40: High-impedance during the external reset period or reset period by the POR. High level during other types of reset (connected to the internal pull-up resistor).
 - P130: Low level during the reset period

Remark f_{IH}: High-speed on-chip oscillator clock
 f_x: X1 oscillation clock
 f_{EX}: External main system clock
 f_{XT}: XT1 oscillation clock
 f_{EXS}: External subsystem clock
 f_{IL}: Low-speed on-chip oscillator clock

<R> **Table 20-2. State of Hardware After Receiving a Reset Signal**

Hardware		After Reset Acknowledgment ^{Note}
Program counter (PC)		The contents of the reset vector table (0000H, 0001H) are set.
Stack pointer (SP)		Undefined
Program status word (PSW)		06H
RAM	Data memory	Undefined
	General-purpose registers	Undefined

Note During reset signal generation or oscillation stabilization time wait, only the PC contents among the hardware statuses become undefined. All other hardware statuses remain unchanged after reset.

- <R> **Remark** For the state of the special function register (SFR) after receiving a reset signal, see **3.2.4 Special function registers (SFRs)** and **3.2.5 Extended special function registers (2nd SFRs: 2nd Special Function Registers)**.

20.3 Register for Confirming Reset Source

20.3.1 Reset Control Flag Register (RESF)

Many internal reset generation sources exist in the RL78 microcontroller. The reset control flag register (RESF) is used to store which source has generated the reset request.

The RESF register can be read by an 8-bit memory manipulation instruction.

RESET input, reset by power-on-reset (POR) circuit, and reading the RESF register clear TRAP, WDTRF, RPERF, IAWRF, and LVIRF flags.

Figure 20-4. Format of Reset Control Flag Register (RESF)

Address: FFFA8H After reset^{Note 1}: R

Symbol	7	6	5	4	3	2	1	0
RESF	TRAP	0	0	WDTRF	0	RPERF	IAWRF	LVIRF

TRAP	Internal reset request by execution of illegal instruction ^{Note 2}
0	Internal reset request is not generated, or the RESF register is cleared.
1	Internal reset request is generated.

WDTRF	Internal reset request by watchdog timer (WDT)
0	Internal reset request is not generated, or the RESF register is cleared.
1	Internal reset request is generated.

RPERF	Internal reset request t by RAM parity
0	Internal reset request is not generated, or the RESF register is cleared.
1	Internal reset request is generated.

IAWRF	Internal reset request by illegal-memory access
0	Internal reset request is not generated, or the RESF register is cleared.
1	Internal reset request is generated.

LVIRF	Internal reset request by voltage detector (LVD)
0	Internal reset request is not generated, or the RESF register is cleared.
1	Internal reset request is generated.

- Notes**
- The value after reset varies depending on the reset source. See **Table 20-3**.
 - The illegal instruction is generated when instruction code FFH is executed.
Reset by the illegal instruction execution not issued by emulation with the in-circuit emulator or on-chip debug emulator.

- Cautions**
- Do not read data by a 1-bit memory manipulation instruction.
 - When enabling RAM parity error resets (RPERDIS = 0), be sure to initialize the used RAM area at data access or the used RAM area + 10 bytes at execution of instruction from the RAM area.
Reset generation enables RAM parity error resets (RPERDIS = 0). For details, see **23.3.3 RAM parity error detection function**.

The status of the RESF register when a reset request is generated is shown in Table 20-3.

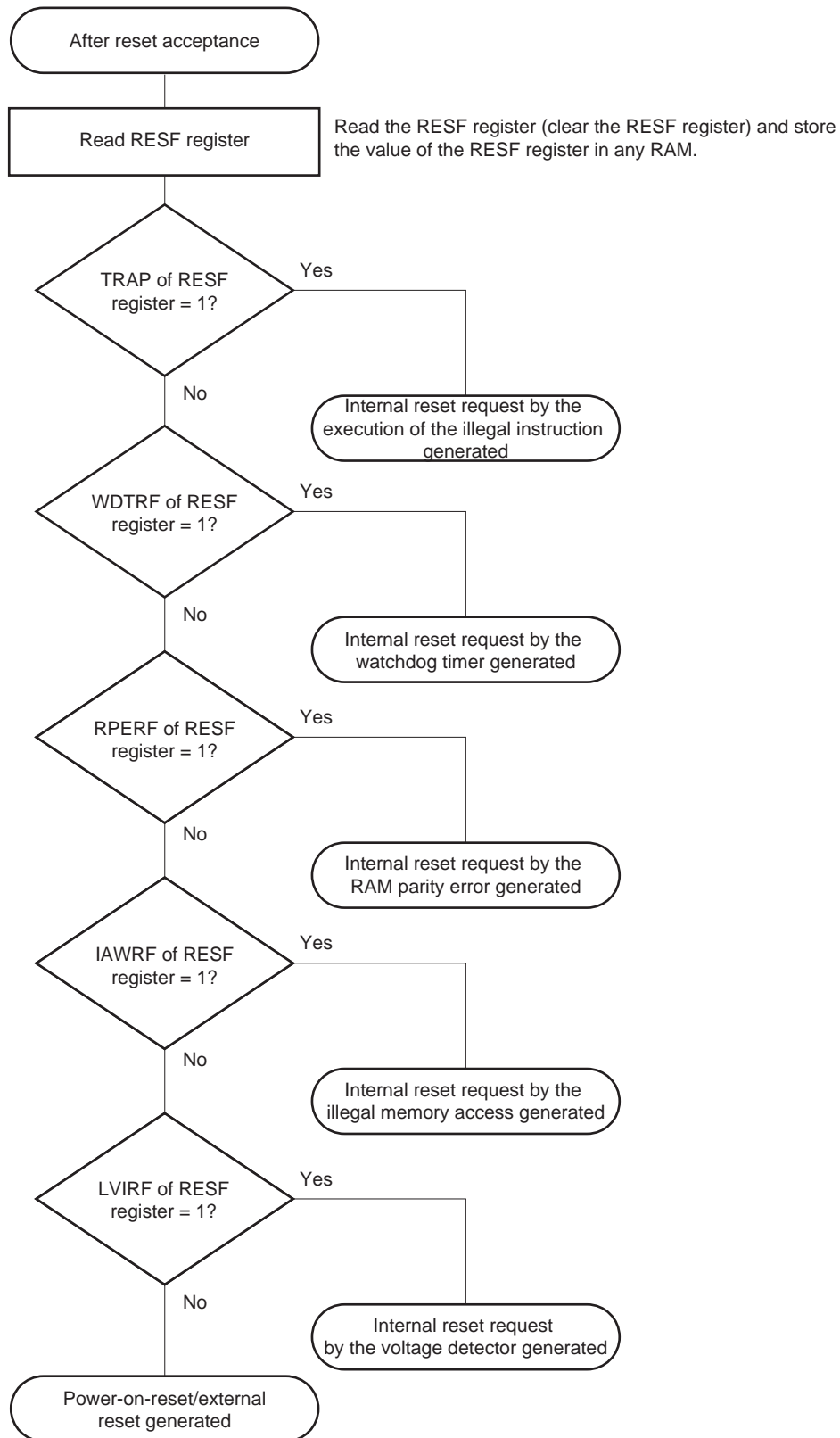
Table 20-3. RESF Register Status When Reset Request Is Generated

Reset Source Flag	RESET Input	Reset by POR	Reset by Execution of Illegal Instruction	Reset by WDT	Reset by RAM parity error	Reset by illegal- memory access	Reset by LVD
TRAP bit	Cleared (0)	Cleared (0)	Set (1)	Held	Held	Held	Held
WDTRF bit			Held	Set (1)			
RPERF bit				Held	Set (1)		
IAWRF bit					Held	Set (1)	
LVIRF bit						Held	

<R> The RESF register is automatically cleared when it is read by an 8-bit memory manipulation instruction. Figure 20-5 shows the procedure for checking a reset source.

<R>

Figure 20-5. Procedure for Checking Reset Source



CHAPTER 21 POWER-ON-RESET CIRCUIT

<R> 21.1 Functions of Power-on-reset Circuit

The power-on-reset circuit (POR) has the following functions.

- Generates internal reset signal at power on.
The reset signal is released when the supply voltage (V_{DD}) exceeds the detection voltage (V_{POR}). Note that the reset state must be retained until the operating voltage becomes in the range defined in **30.4** or **31.4 AC Characteristics**. This is done by utilizing the voltage detection circuit or controlling the externally input reset signal.
- Compares supply voltage (V_{DD}) and detection voltage (V_{PDR}), generates internal reset signal when $V_{DD} < V_{PDR}$. Note that, after power is supplied, this LSI should be placed in the STOP mode, or in the reset state by utilizing the voltage detection circuit or externally input reset signal, before the operation voltage falls below the range defined in **30.4** or **31.4 AC Characteristics**. When restarting the operation, make sure that the operation voltage has returned within the range of operation.

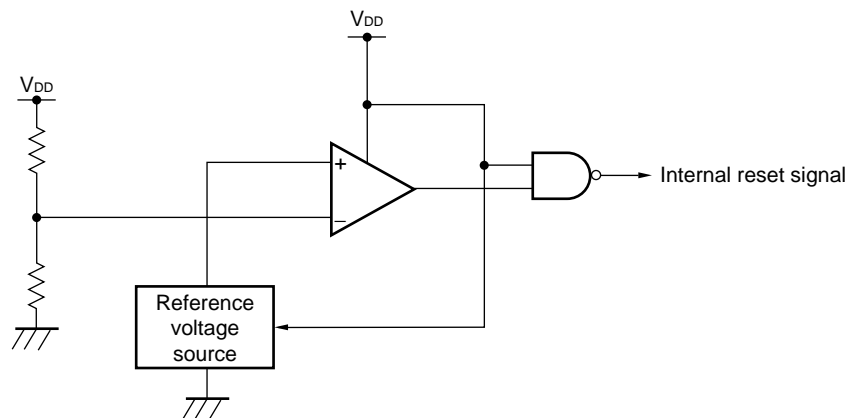
Caution If an internal reset signal is generated in the power-on-reset circuit, the reset control flag register (RESF) is cleared.

- Remarks**
1. The RL78 microcontroller incorporates multiple hardware functions that generate an internal reset signal. A flag that indicates the reset source is located in the reset control flag register (RESF) for when an internal reset signal is generated by the watchdog timer (WDT), voltage-detector (LVD), illegal instruction execution, RAM parity error, or illegal-memory access. The RESF register is not cleared to 00H and the flag is set to 1 when an internal reset signal is generated by the watchdog timer (WDT), voltage-detector (LVD), illegal instruction execution, RAM parity error, or illegal-memory access. For details of the RESF register, see **CHAPTER 20 RESET FUNCTION**.
 2. V_{POR} : POR power supply rise detection voltage
 V_{PDR} : POR power supply fall detection voltage
For details, see **30.6.3** or **31.6.3 POR circuit characteristics**.

21.2 Configuration of Power-on-reset Circuit

The block diagram of the power-on-reset circuit is shown in Figure 21-1.

Figure 21-1. Block Diagram of Power-on-reset Circuit



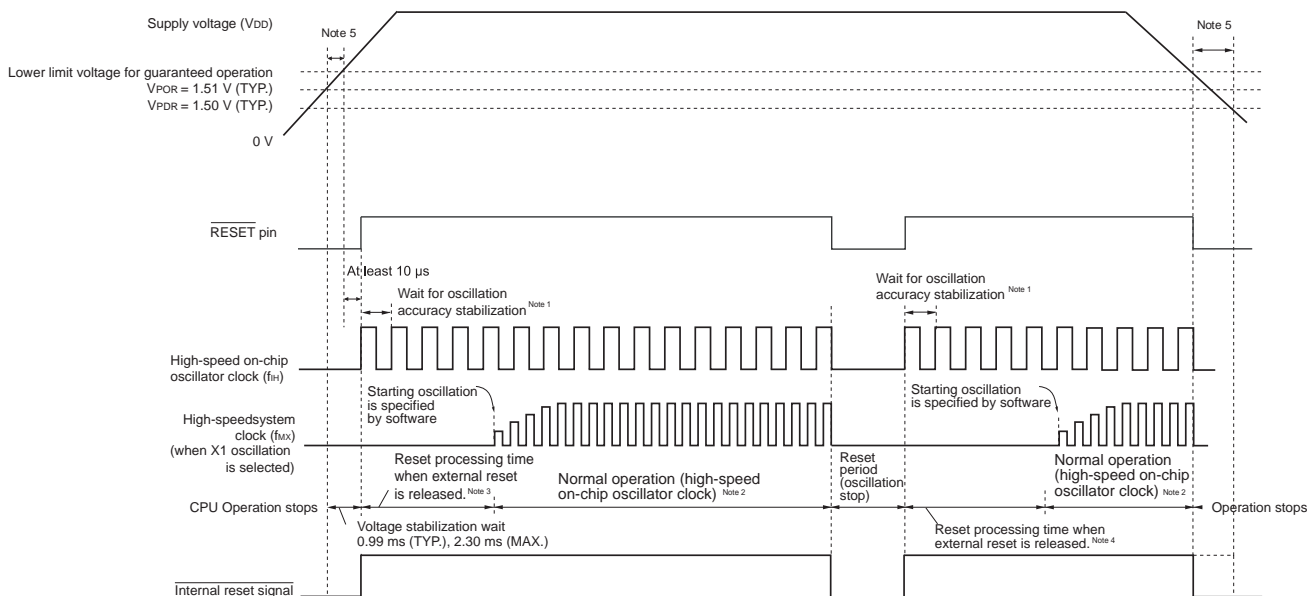
<R> 21.3 Operation of Power-on-reset Circuit

The timing of generation of the internal reset signal by the power-on-reset circuit and voltage detector is shown below.

<R>

Figure 21-2. Timing of Generation of Internal Reset Signal by Power-on-reset Circuit and Voltage Detector (1/3)

(1) When the externally input reset signal on the $\overline{\text{RESET}}$ pin is used



- Notes**
- The internal reset processing time includes the oscillation accuracy stabilization time of the high-speed on-chip oscillator clock.
 - The high-speed on-chip oscillator clock and a high-speed system clock or subsystem clock can be selected as the CPU clock. To use the X1 clock, use the oscillation stabilization time counter status register (OSTC) to confirm the lapse of the oscillation stabilization time. To use the XT1 clock, use the timer function for confirmation of the lapse of the stabilization time.
 - The time until normal operation starts includes the following reset processing time when the external reset is released (after the first release of POR) after the $\overline{\text{RESET}}$ signal is driven high (1) as well as the voltage stabilization wait time after VPOR (1.51 V, typ.) is reached.
Reset processing time when the external reset is released is shown below.
After the first release of POR: 0.672 ms (typ.), 0.832 ms (max.) (when the LVD is in use)
0.399 ms (typ.), 0.519 ms (max.) (when the LVD is off)
 - Reset processing time when the external reset is released after the second release of POR is shown below.
After the second release of POR: 0.531 ms (typ.), 0.675 ms (max.) (when the LVD is in use)
0.259 ms (typ.), 0.362 ms (max.) (when the LVD is off)
 - After power is supplied, the reset state must be retained until the operating voltage becomes in the range defined in **30.4** or **31.4 AC Characteristics**. This is done by controlling the externally input reset signal. After power supply is turned off, this LSI should be placed in the STOP mode, or in the reset state by utilizing the voltage detection circuit or externally input reset signal, before the voltage falls below the operating range. When restarting the operation, make sure that the operation voltage has returned within the range of operation.

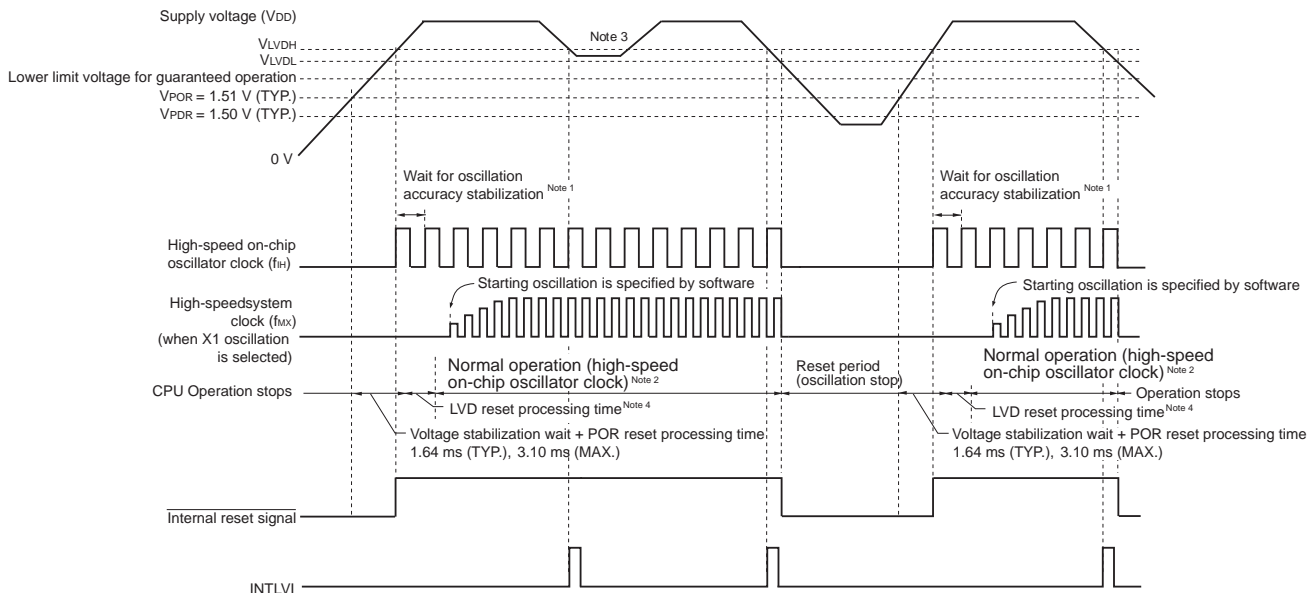
Remark VPOR: POR power supply rise detection voltage
VPDR: POR power supply fall detection voltage

Caution For power-on reset, be sure to use the externally input reset signal on the $\overline{\text{RESET}}$ pin when the LVD is off. For details, see CHAPTER 22 VOLTAGE DETECTOR.

<R>

Figure 21-2. Timing of Generation of Internal Reset Signal by Power-on-reset Circuit and Voltage Detector (2/3)

(2) LVD interrupt & reset mode (option byte 000C1: LVIMDS1, LVIMDS0 = 1, 0)

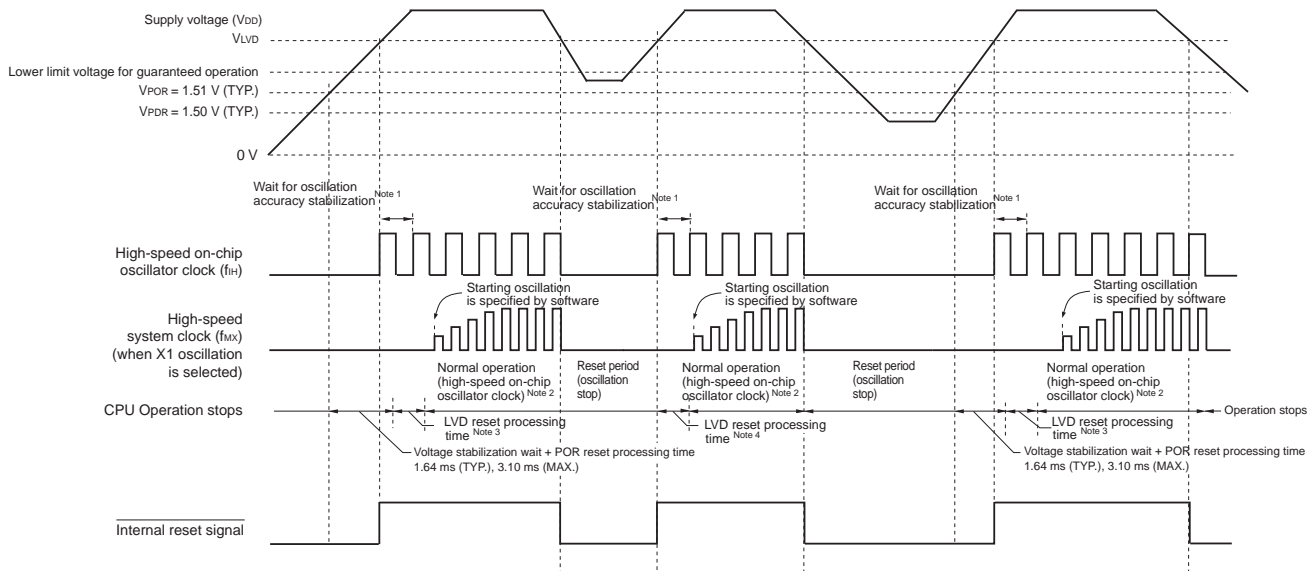


- Notes**
1. The internal reset processing time includes the oscillation accuracy stabilization time of the high-speed on-chip oscillator clock.
 2. The high-speed on-chip oscillator clock and a high-speed system clock or subsystem clock can be selected as the CPU clock. To use the X1 clock, use the oscillation stabilization time counter status register (OSTC) to confirm the lapse of the oscillation stabilization time. To use the XT1 clock, use the timer function for confirmation of the lapse of the stabilization time.
 3. After the first interrupt request signal (INTLVI) is generated, the LVIL and LVIMD bits of the voltage detection level register (LVIS) are automatically set to 1. After INTLVI is generated, the initial settings should be made by software after the required save processing if the supply voltage might return to the high voltage detection level (V_{LVDH}) or higher without falling below the low voltage detection level (V_{LVDL}).
 4. The time until normal operation starts includes the following LVD reset processing time after the LVD detection level (V_{LVDH}) is reached as well as the voltage stabilization wait + POR reset processing time after the V_{PDOR} (1.51 V, typ.) is reached.
LVD reset processing time: 0 ms to 0.0701 ms (max.)

Remark V_{LVDH}, V_{LVDL}: LVD detection voltage
 V_{PDOR}: POR power supply rise detection voltage
 V_{PPDR}: POR power supply fall detection voltage

<R> **Figure 21-2. Timing of Generation of Internal Reset Signal by Power-on-reset Circuit and Voltage Detector (3/3)**

(3) LVD reset mode (option byte 000C1H: LVIMDS1 = 1, LVIMDS0 = 1)



- Notes**
1. The internal reset processing time includes the oscillation accuracy stabilization time of the high-speed on-chip oscillator clock.
 2. The high-speed on-chip oscillator clock and a high-speed system clock or subsystem clock can be selected as the CPU clock. To use the X1 clock, use the oscillation stabilization time counter status register (OSTC) to confirm the lapse of the oscillation stabilization time. To use the XT1 clock, use the timer function for confirmation of the lapse of the stabilization time.
 3. The time until normal operation starts includes the following LVD reset processing time after the LVD detection level (V_{LVD}) is reached as well as the voltage stabilization wait + POR reset processing time after the V_{POR} (1.51 V, typ.) is reached.
LVD reset processing time: 0 ms to 0.0701 ms (max.)
 4. When the power supply voltage is below the lower limit for operation and the power supply voltage is then restored after an internal reset is generated only by the voltage detector (LVD), the following LVD reset processing time is required after the LVD detection level (V_{LVD}) is reached.
LVD reset processing time: 0.0511 ms (typ.), 0.0701 ms (max.)

Remark V_{POR}: POR power supply rise detection voltage
V_{PDR}: POR power supply fall detection voltage

CHAPTER 22 VOLTAGE DETECTOR

<R> 22.1 Functions of Voltage Detector

The operation mode and detection voltages (V_{LVDH} , V_{LVDL} , V_{LVD}) for the voltage detector is set by using the option byte (000C1H).

The voltage detector (LVD) has the following functions.

- The LVD circuit compares the supply voltage (V_{DD}) with the detection voltage (V_{LVDH} , V_{LVDL}), and generates an internal reset or internal interrupt signal.
- The detection level for the power supply detection voltage (V_{LVDH} , V_{LVDL}) can be selected by using the option byte as one of 14 levels (For details, see **CHAPTER 25 OPTION BYTE**).
- Operable in STOP mode.
- After power is supplied, the reset state must be retained until the operating voltage becomes in the range defined in **30.4** or **31.4 AC Characteristics**. This is done by utilizing the voltage detection circuit or controlling the externally input reset signal. After the power supply is turned off, this LSI should be placed in the STOP mode, or placed in the reset state by utilizing the voltage detection circuit or controlling the externally input reset signal before the voltage falls below the operating range. The range of operating voltage varies with the setting of the user option byte (000C2H).

(a) Interrupt & reset mode (option byte LVIMDS1, LVIMDS0 = 1, 0)

The two detection voltages (V_{LVDH} , V_{LVDL}) are selected by the option byte 000C1H. The high-voltage detection level (V_{LVDH}) is used for releasing resets and generating interrupts. The low-voltage detection level (V_{LVDL}) is used for generating resets.

(b) Reset mode (option byte LVIMDS1, LVIMDS0 = 1, 1)

The detection voltage (V_{LVD}) selected by the option byte 000C1H is used for generating/releasing resets.

(c) Interrupt mode (option byte LVIMDS1, LVIMDS0 = 0, 1)

The detection voltage (V_{LVD}) selected by the option byte 000C1H is used for releasing resets/generating interrupts.

The reset and internal interrupt signals are generated in each mode as follows.

Interrupt & reset mode (LVIMDS1, LVIMDS0 = 1, 0)	Reset mode (LVIMDS1, LVIMDS0 = 1, 1)	Interrupt mode (LVIMDS1, LVIMDS0 = 0, 1)
Generates an interrupt request signal by detecting $V_{DD} < V_{LVDH}$ when the operating voltage falls, and an internal reset by detecting $V_{DD} < V_{LVDL}$. Releases an internal reset by detecting $V_{DD} \geq V_{LVDH}$.	Releases an internal reset by detecting $V_{DD} \geq V_{LVD}$. Generates an interrupt request signal by detecting $V_{DD} < V_{LVD}$.	Releases an internal reset by detecting $V_{DD} \geq V_{LVD}$ at power on after the first release of the POR. Generates an interrupt request signal by detecting $V_{DD} < V_{LVD}$ or $V_{DD} \geq V_{LVD}$ at power on after the second release of the POR.

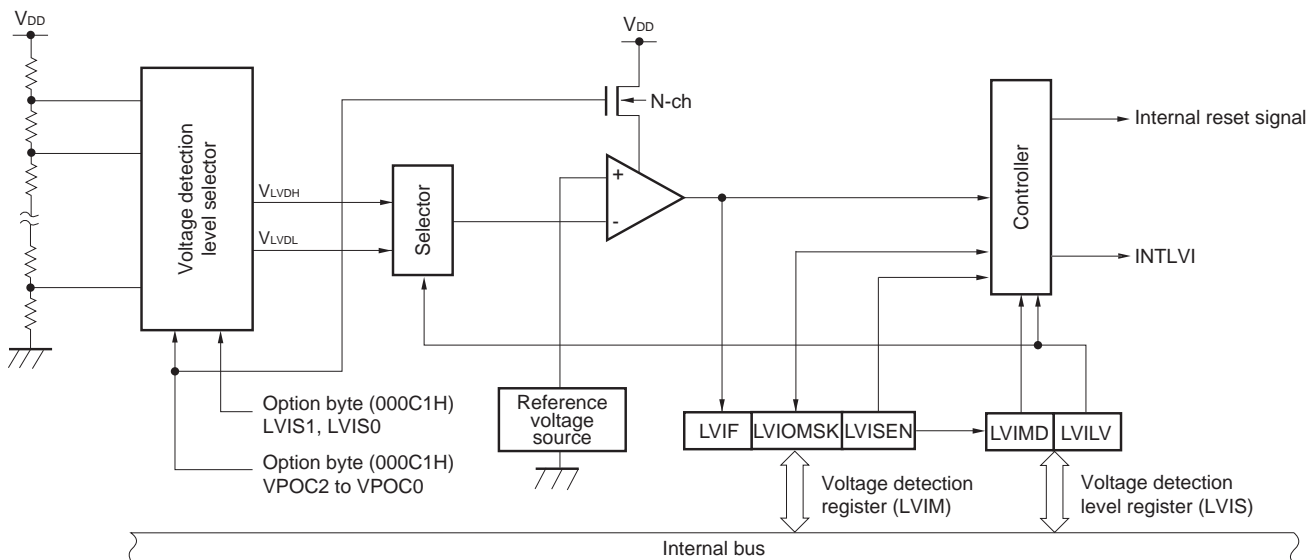
While the voltage detector is operating, whether the supply voltage is more than or less than the detection level can be checked by reading the voltage detection flag (LVIF: bit 0 of the voltage detection register (LVIM)).

Bit 0 (LVIRF) of the reset control flag register (RESF) is set to 1 if reset occurs. For details of the RESF register, see **CHAPTER 20 RESET FUNCTION**.

22.2 Configuration of Voltage Detector

The block diagram of the voltage detector is shown in Figure 22-1.

Figure 22-1. Block Diagram of Voltage Detector



22.3 Registers Controlling Voltage Detector

The voltage detector is controlled by the following registers.

- Voltage detection register (LVIM)
- Voltage detection level register (LVIS)

22.3.1 Voltage detection register (LVIM)

This register is used to specify whether to enable or disable rewriting the voltage detection level register (LVIS), as well as to check the LVD output mask status.

This register can be set by a 1-bit or 8-bit memory manipulation instruction.
Reset signal generation clears this register to 00H.

<R>

Figure 22-2. Format of Voltage Detection Register (LVIM)

Address: FFFA9H After reset: 00H ^{Note 1} R/W ^{Note 2}

Symbol	<7>	6	5	4	3	2	<1>	<0>
LVIM	LVISEN <small>Note 3</small>	0	0	0	0	0	LVIOMSK	LVIF

LVISEN <small>Note 3</small>	Specification of whether to enable or disable rewriting the voltage detection level register (LVIS)
0	Disabling of rewriting the LVIS register (LVIOMSK = 0 (Mask of LVD output is invalid))
1	Enabling of rewriting the LVIS register ^{Note 3} (LVIOMSK = 1 (Mask of LVD output is valid))

LVIOMSK	Mask status flag of LVD output
0	Mask of LVD output is invalid
1	Mask of LVD output is valid ^{Note 4}

LVIF	Voltage detection flag
0	Supply voltage (V_{DD}) \geq detection voltage (V_{LVD}), or when LVD is off
1	Supply voltage (V_{DD}) $<$ detection voltage (V_{LVD})

- Notes**
1. The reset value changes depending on the reset source.
If the LVIS register is reset by LVD, it is not reset but holds the current value. In other reset, LVISEN is cleared to 0.
 2. Bits 0 and 1 are read-only.
 3. LVISEN and LVIOMSK can only be set in the interrupt & reset mode (option byte LVIMDS1, LVIMDS0 = 1, 0). Do not change the initial value in other modes.
 4. LVIOMSK bit is only automatically set to "1" during the following period and reset or interrupt by LVD is masked.
 - Period during LVISEN = 1
 - Waiting period from the time when LVD interrupt is generated until LVD detection voltage becomes stable
 - Waiting period from the time when the value of LVILV bit changes until LVD detection voltage becomes stable

22.3.2 Voltage detection level register (LVIS)

This register selects the voltage detection level.

This register can be set by a 1-bit or 8-bit memory manipulation instruction.

Reset signal generation input sets this register to 00H/01H/81H ^{Note1}.

Figure 22-3. Format of Voltage Detection Level Select Register (LVIS)

Address: FFFAAH After reset: 00H/01H/81H ^{Note 1} R/W

Symbol	<7>	6	5	4	3	2	1	<0>
LVIS	LVIMD	0	0	0	0	0	0	LVILV

LVIMD ^{Note 2}	Operation mode of voltage detection
0	Interrupt mode
1	Reset mode

LVILV ^{Note 2}	LVD detection level
0	High-voltage detection level (V _{LVDH})
1	Low-voltage detection level (V _{LVDL} or V _{LVDL})

- Notes**
- The reset value changes depending on the reset source and the setting of the option byte. This register is not cleared (00H) by LVD reset. The generation of reset signal other than an LVD reset sets as follows.
 - When option byte LVIMDS1, LVIMDS0 = 1, 0: 00H
 - When option byte LVIMDS1, LVIMDS0 = 1, 1: 81H
 - When option byte LVIMDS1, LVIMDS0 = 0, 1: 01H
 - Writing "0" can only be allowed in the interrupt & reset mode (option byte LVIMDS1, LVIMDS0 = 1, 0). Do not set LVIMD and LVILV in other cases. The value is switched automatically when reset or interrupt is generated in the interrupt & reset mode.

- Cautions**
- Rewrite the value of the LVIS register according to Figures 22-7 and 22-8.
 - Specify the LVD operation mode and detection voltage (V_{LVDH}, V_{LVDL}, V_{LVD}) of each mode by using the option byte 000C1H. Table 22-1 shows the format of the user option byte (000C1H). For details about the option byte, see CHAPTER 25 OPTION BYTE.

<R>

<R> **Table 22-1. LVD Operation Mode and Detection Voltage Settings for User Option Byte (000C1H) (1/2)**

Address: 000C1H

	7	6	5	4	3	2	1	0
	VPOC2	VPOC1	VPOC0	1	LVIS1	LVIS0	LVIMDS1	LVIMDS0

• LVD setting (interrupt & reset mode)

Detection voltage			Option byte setting value						
V _{LV_{DH}}		V _{LV_{DL}}	VPOC2	VPOC1	VPOC0	LVIS1	LVIS0	Mode setting	
Rising edge	Falling edge	Falling edge						LVIMDS1	LVIMDS0
1.77 V	1.73 V	1.63 V	0	0	0	1	0	1	0
1.88 V	1.84 V					0	1		
2.92 V	2.86 V					0	0		
1.98 V	1.94 V	1.84 V		0	1	1	0		
2.09 V	2.04 V			0	1				
3.13 V	3.06 V			0	0				
2.61 V	2.55 V	2.45 V		1	0	1	0		
2.71 V	2.65 V			0	1				
3.75 V	3.67 V			0	0				
2.92 V	2.86 V	2.75 V		1	1	1	0		
3.02 V	2.96 V			0	1				
4.06 V	3.98 V			0	0				
Other than above			Setting prohibited.						

• LVD setting (reset mode)

Detection voltage		Option byte setting value								
V _{LV_D}		VPOC2	VPOC1	VPOC0	LVIS1	LVIS0	Mode setting			
Rising edge	Falling edge						LVIMDS1	LVIMDS0		
1.67 V	1.63 V	0	0	0	1	1	1	1		
1.77 V	1.73 V		0	0	1	0				
1.88 V	1.84 V		0	1	1	1				
1.98 V	1.94 V		0	1	1	0				
2.09 V	2.04 V		0	1	0	1				
2.50 V	2.45 V		1	0	1	1				
2.61 V	2.55 V		1	0	1	0				
2.71 V	2.65 V		1	0	0	1				
2.81 V	2.75 V		1	1	1	1				
2.92 V	2.86 V		1	1	1	0				
3.02 V	2.96 V		1	1	0	1				
3.13 V	3.06 V		0	1	0	0				
3.75 V	3.67 V		1	0	0	0				
4.06 V	3.98 V		1	1	0	0				
Other than above			Setting prohibited.							

Caution Be sure to set bit 4 to 1.

<R> **Table 22-1. LVD Operation Mode and Detection Voltage Settings for User Option Byte (000C1H) (2/2)**

Address: 000C1H

	7	6	5	4	3	2	1	0
	VPOC2	VPOC1	VPOC0	1	LVIS1	LVIS0	LVIMDS1	LVIMDS0

• LVD setting (interrupt mode)

Detection voltage		Option byte setting value						
V _{LVD}		VPOC2	VPOC1	VPOC0	LVIS1	LVIS0	Mode setting	
Rising edge	Falling edge						LVIMDS1	LVIMDS0
1.67 V	1.63 V	0	0	0	1	1	0	1
1.77 V	1.73 V		0	0	1	0		
1.88 V	1.84 V		0	1	1	1		
1.98 V	1.94 V		0	1	1	0		
2.09 V	2.04 V		0	1	0	1		
2.50 V	2.45 V		1	0	1	1		
2.61 V	2.55 V		1	0	1	0		
2.71 V	2.65 V		1	0	0	1		
2.81 V	2.75 V		1	1	1	1		
2.92 V	2.86 V		1	1	1	0		
3.02 V	2.96 V		1	1	0	1		
3.13 V	3.06 V		0	1	0	0		
3.75 V	3.67 V		1	0	0	0		
4.06 V	3.98 V		1	1	0	0		
Other than above			Setting prohibited.					

• LVD off (use of external reset input via $\overline{\text{RESET}}$ pin)

Detection voltage		Option byte setting value						
V _{LVD}		VPOC2	VPOC1	VPOC0	LVIS1	LVIS0	Mode setting	
Rising edge	Falling edge						LVIMDS1	LVIMDS0
-	-	1	×	×	×	×	0/1	1
Other than above		Setting prohibited.						

Cautions 1. Be sure to set bit 4 to 1.

2. After power is supplied, the reset state must be retained until the operating voltage becomes in the range defined in 30.4 or 31.4 AC Characteristics. This is done by utilizing the voltage detection circuit or controlling the externally input reset signal. After the power supply is turned off, this LSI should be placed in the STOP mode, or placed in the reset state by utilizing the voltage detection circuit or controlling the externally input reset signal, before the voltage falls below the operating range. The range of operating voltage varies with the setting of the user option byte (000C2H).

Remarks 1. ×: don't care

2. For details on the LVD circuit, see **CHAPTER 22 VOLTAGE DETECTOR**.
3. The detection voltage is a TYP. value. For details, see 30.6.4 or 31.6.4 LVD circuit characteristics.

22.4 Operation of Voltage Detector

<R> 22.4.1 When used as reset mode

Specify the operation mode (the reset mode (LVIMDS1, LVIMDS0 = 1, 1)) and the detection voltage (V_{LVD}) by using the option byte 000C1H.

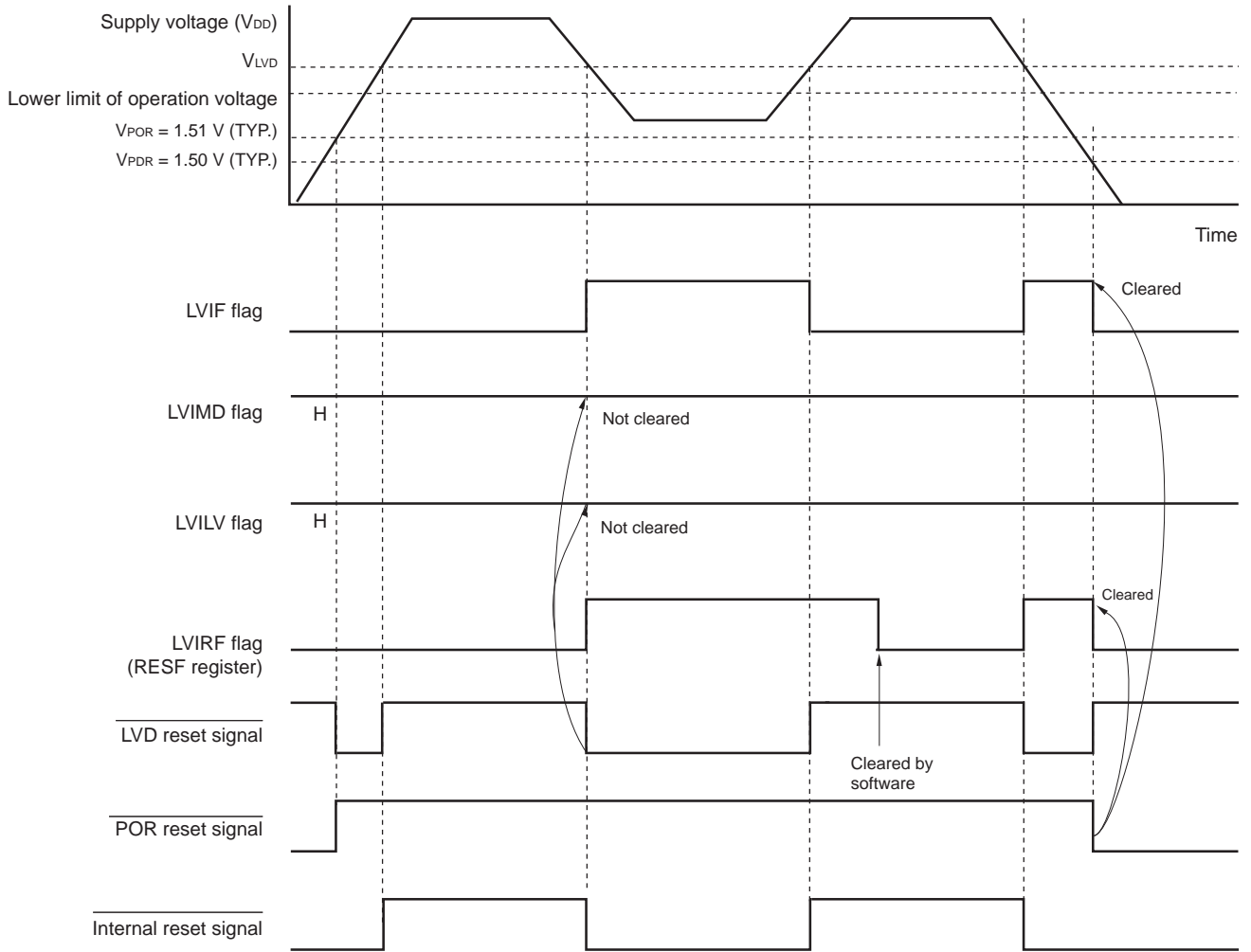
The operation is started in the following initial setting state when the reset mode is set.

- Bit 7 (LVISEN) of the voltage detection register (LVIM) is set to 0 (disable rewriting of voltage detection level register (LVIS))
- The initial value of the voltage detection level select register (LVIS) is set to 81H.
 - Bit 7 (LVIMD) is 1 (reset mode).
 - Bit 0 (LVILV) is 1 (low-voltage detection level: V_{LVD}).
- Operation in LVD reset mode
 - In the reset mode (option byte LVIMDS1, LVIMDS0 = 1, 1), the state of an internal reset by LVD is retained until the supply voltage (V_{DD}) exceeds the voltage detection level (V_{LVD}) after power is supplied. The internal reset is released when the supply voltage (V_{DD}) exceeds the voltage detection level (V_{LVD}).
 - At the fall of the operating voltage, an internal reset by LVD is generated when the supply voltage (V_{DD}) falls below the voltage detection level (V_{LVD}).

Figure 22-4 shows the timing of the internal reset signal generated in the LVD reset mode.

<R>

**Figure 22-4. Timing of Voltage Detector Internal Reset Signal Generation
(Option Byte LVIMDS1, LVIMDS0 = 1, 1)**



Remark V_{POR} : POR power supply rise detection voltage
 V_{PDR} : POR power supply fall detection voltage

<R> 22.4.2 When used as interrupt mode

Specify the operation mode (the interrupt mode (LVIMDS1, LVIMDS0 = 0, 1)) and the detection voltage (V_{LVD}) by using the option byte 000C1H.

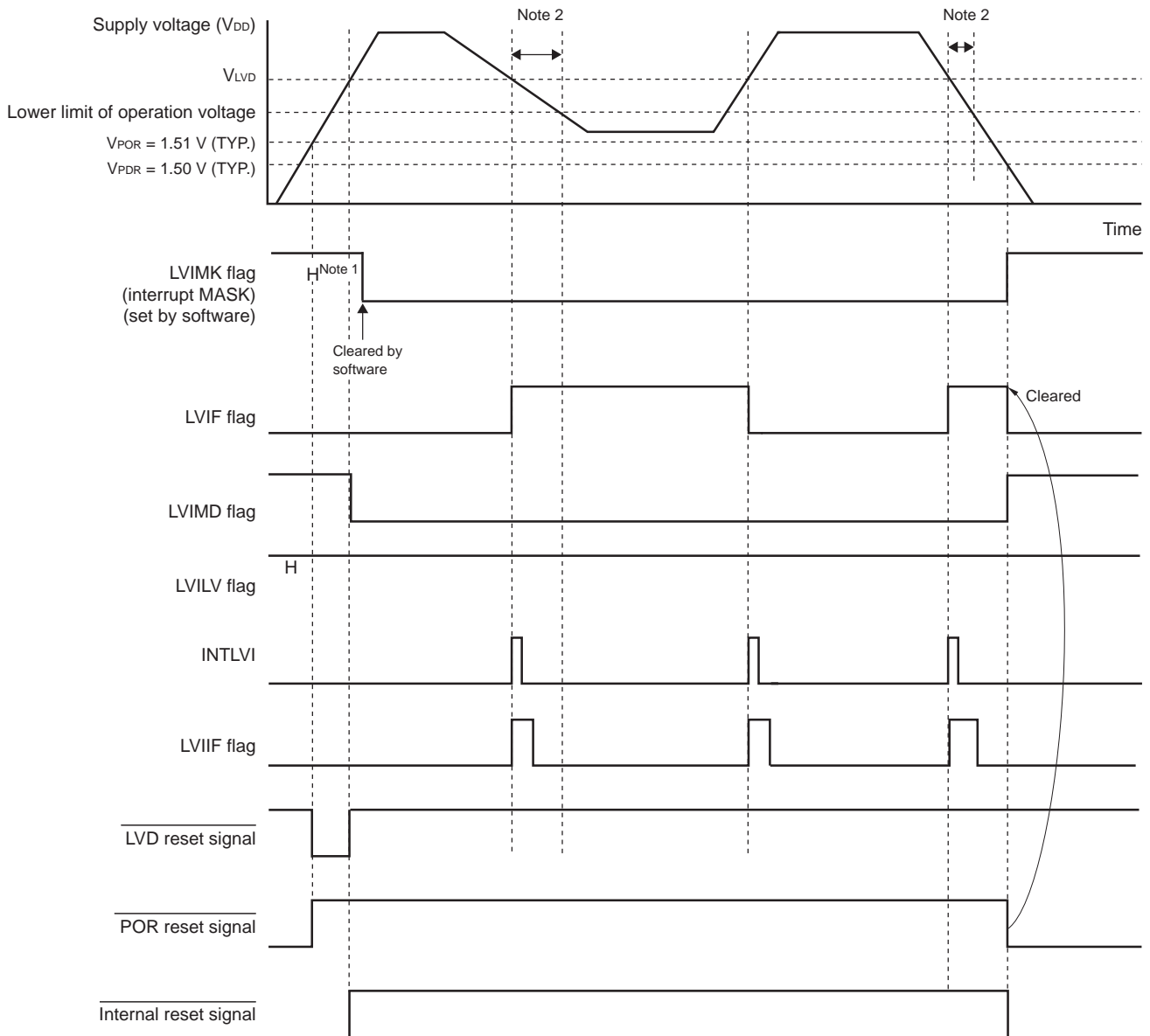
The operation is started in the following initial setting state when the interrupt mode is set.

- Bit 7 (LVISEN) of the voltage detection register (LVIM) is set to 0 (disable rewriting of voltage detection level register (LVIS))
- The initial value of the voltage detection level select register (LVIS) is set to 01H.
 - Bit 7 (LVIMD) is 0 (interrupt mode).
 - Bit 0 (LVILV) is 1 (low-voltage detection level: V_{LVD}).
- Operation in LVD interrupt mode
 - In the interrupt mode (option byte LVIMDS1, LVIMDS0 = 0, 1), the state of an internal reset by LVD is retained until the supply voltage (V_{DD}) exceeds the voltage detection level (V_{LVD}) after power is supplied (after the first release of the POR). The internal reset is released when the supply voltage (V_{DD}) exceeds the voltage detection level (V_{LVD}).
 - An interrupt request signal by LVD (INTLVD) is generated, when the supply voltage (V_{DD}) falls below the voltage detection level (V_{LVD}) or when the supply voltage (V_{DD}) exceeds the voltage detection level (V_{LVD}) after the second release of the POR. When the voltage falls, this LSI should be placed in the STOP mode, or placed in the reset state by controlling the externally input reset signal, before the voltage falls below the operating voltage range defined in **30.4** or **31.4 AC characteristics**. When restarting the operation, make sure that the operation voltage has returned within the range of operation.

Figure 22-5 shows the timing of the interrupt request signal generated in the LVD interrupt mode.

<R>

**Figure 22-5. Timing of Voltage Detector Internal Interrupt Signal Generation
(Option Byte LVIMDS1, LVIMDS0 = 0, 1)**



- Notes**
1. The LVIMK flag is set to “1” by reset signal generation.
 2. When the voltage falls, this LSI should be placed in the STOP mode, or placed in the reset state by controlling the externally input reset signal, before the voltage falls below the operating voltage range defined in 30.4 or 31.4 AC characteristics. When restarting the operation, make sure that the operation voltage has returned within the range of operation.

Remark V_{POR}: POR power supply rise detection voltage
V_{PDR}: POR power supply fall detection voltage

<R> 22.4.3 When used as interrupt and reset mode

- When starting operation

Specify the operation mode (the interrupt and reset (LVIMDS1, LVIMDS0 = 1, 0)) and the detection voltage (VLVDH, VLVDL) by using the option byte 000C1H.

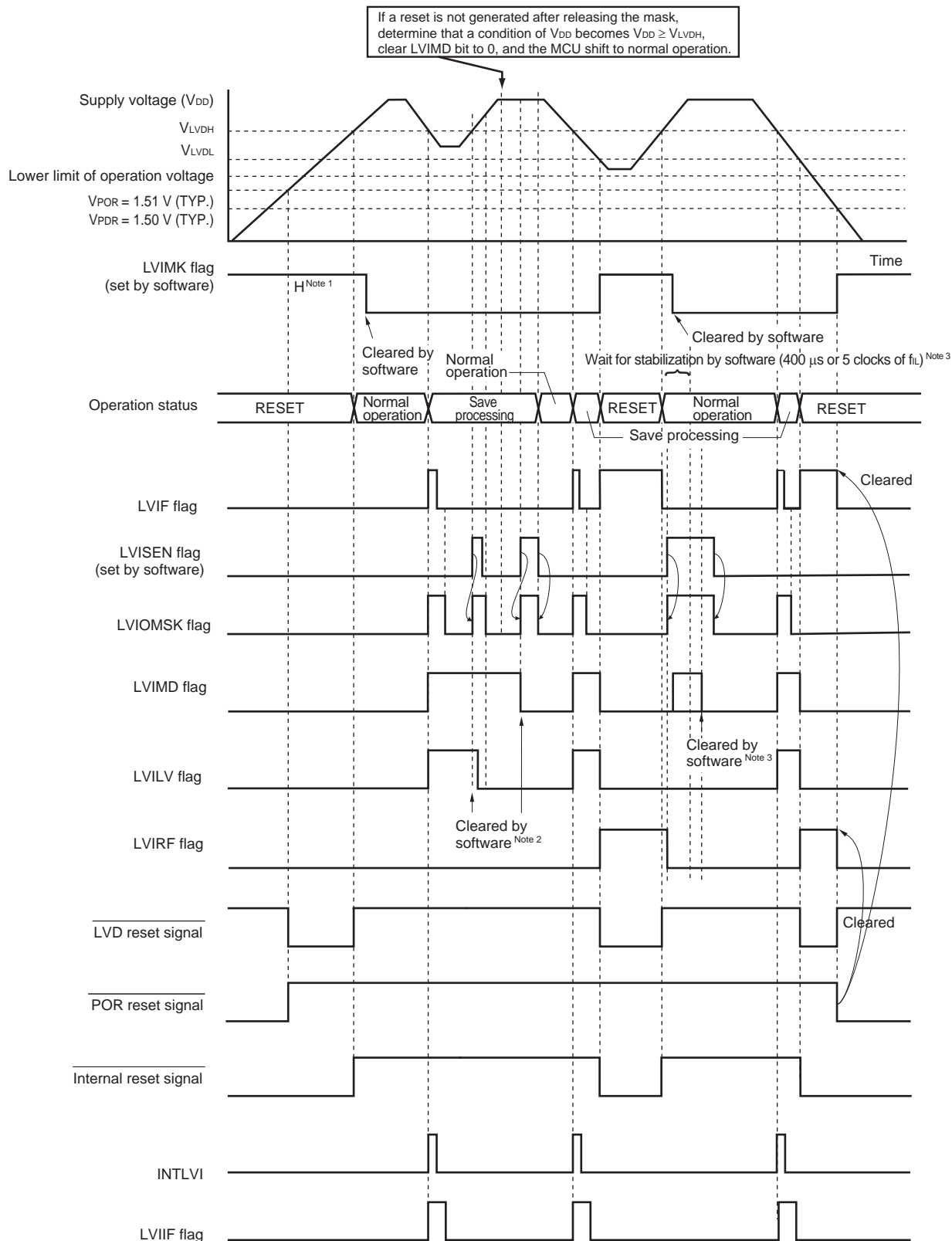
Start in the following initial setting state.

- Set bit 7 (LVISEN) of the voltage detection register (LVIM) to 0 (disable rewriting of voltage detection level register (LVIS)).
- When the option byte LVIMDS1 is set to 1 and LVIMDS0 is cleared to 0, the initial value of the LVIS register is set to 00H.
 - Bit 7 (LVIMD) is 0 (interrupt mode).
 - Bit 0 (LVILV) is 0 (low-voltage detection level: VLVDH).

Figure 22-6 shows the timing of the internal reset signal and interrupt signal generated by the voltage detector. Perform the processing according to **Figure 22-7 Processing Procedure After an Interrupt is Generated**.

<R>

Figure 22-6. Timing of Voltage Detector Reset Signal and Interrupt Signal Generation (Option Byte LVIMDS1, LVIMDS0 = 1, 0) (1/2)



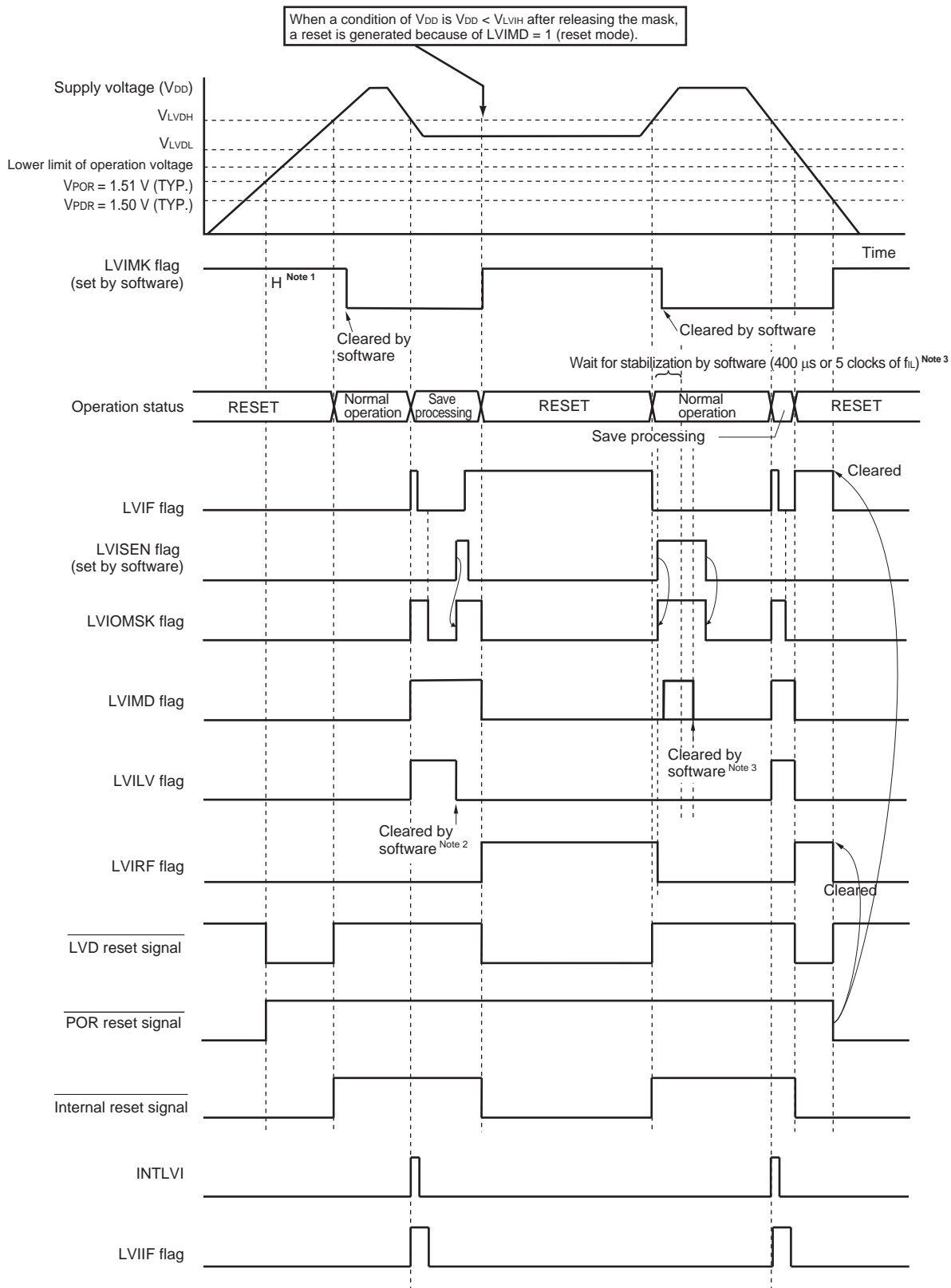
(Notes and Remark are listed on the next page.)

- Notes**
1. The LVIMK flag is set to “1” by reset signal generation.
 2. After an interrupt is generated, perform the processing according to **Figure 22-7 Processing Procedure After an Interrupt Is Generated**.

Remark V_{POR} : POR power supply rise detection voltage
 V_{PDR} : POR power supply fall detection voltage

<R>

Figure 22-6. Timing of Voltage Detector Reset Signal and Interrupt Signal Generation (Option Byte LVIMDS1, LVIMDS0 = 1, 0) (2/2)

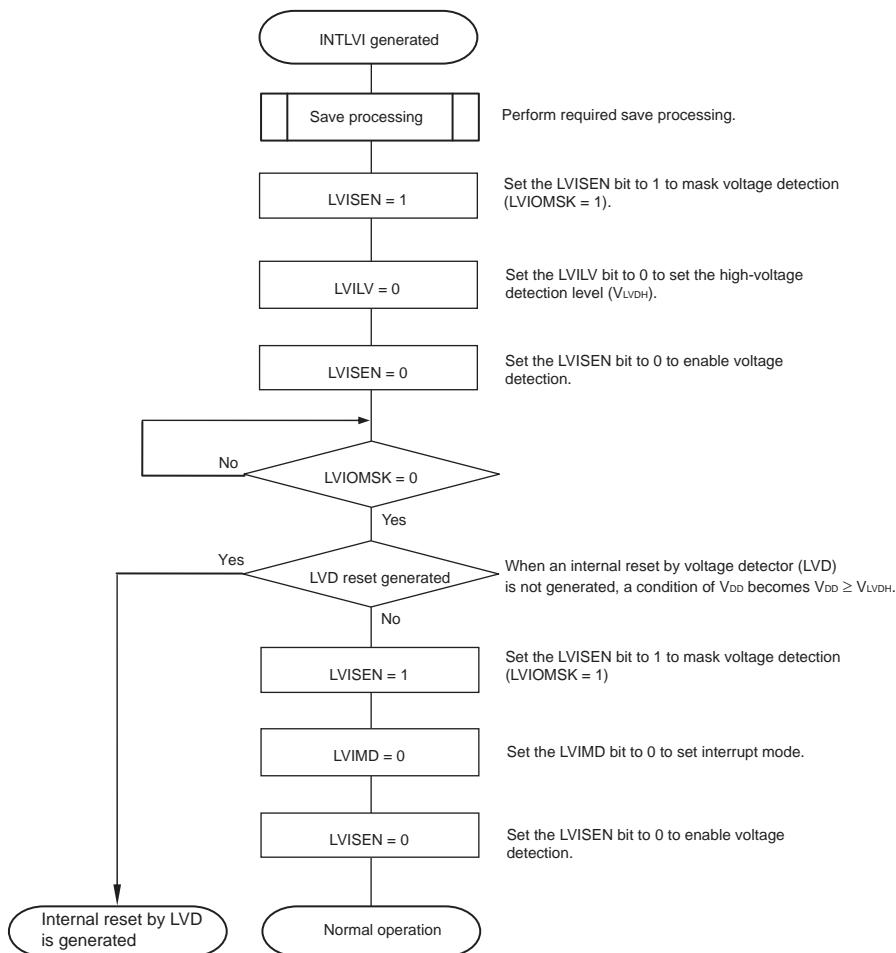


(Notes and Remark are listed on the next page.)

- Notes**
1. The LVIMK flag is set to “1” by reset signal generation.
 2. After an interrupt is generated, perform the processing according to **Figure 22-7 Processing Procedure After an Interrupt Is Generated**.

Remark V_{POR} : POR power supply rise detection voltage
 V_{PDR} : POR power supply fall detection voltage

Figure 22-7. Processing Procedure After an Interrupt Is Generated

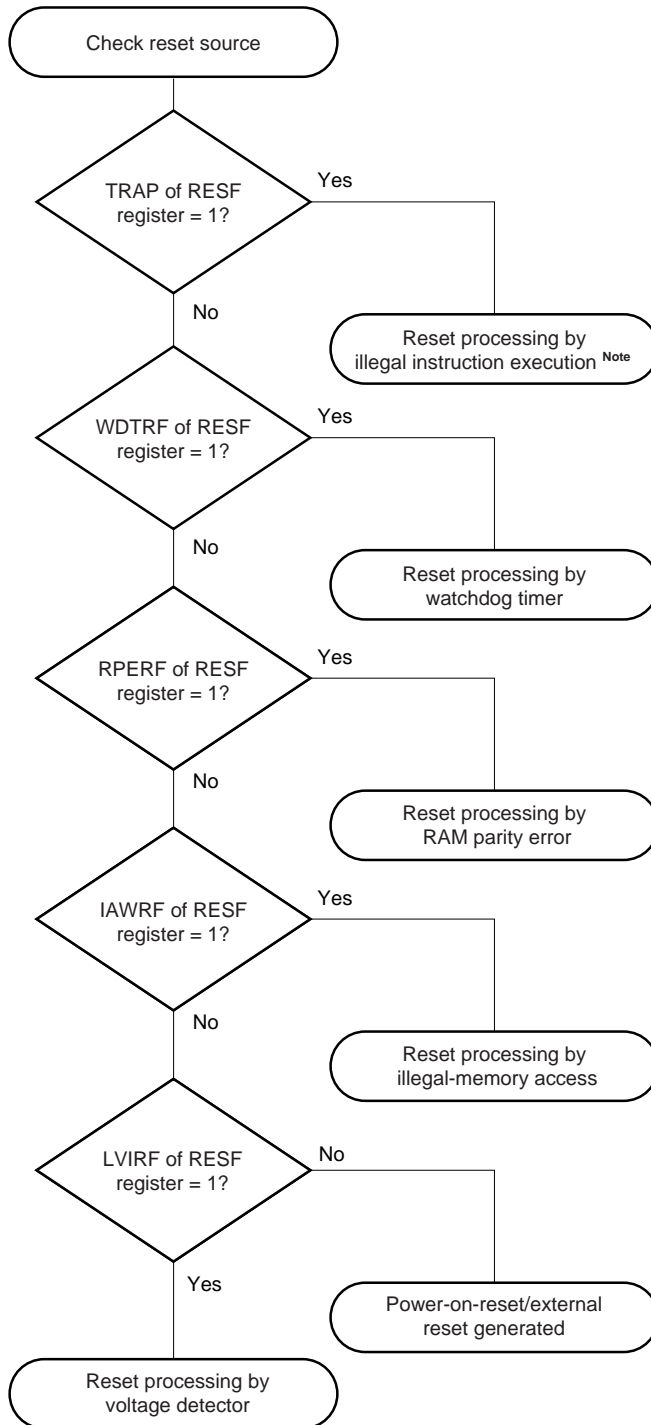


22.5 Cautions for Voltage Detector

(1) Checking reset source

When a reset occurs, check the reset source by using the following method.

Figure 22-8. Checking reset source



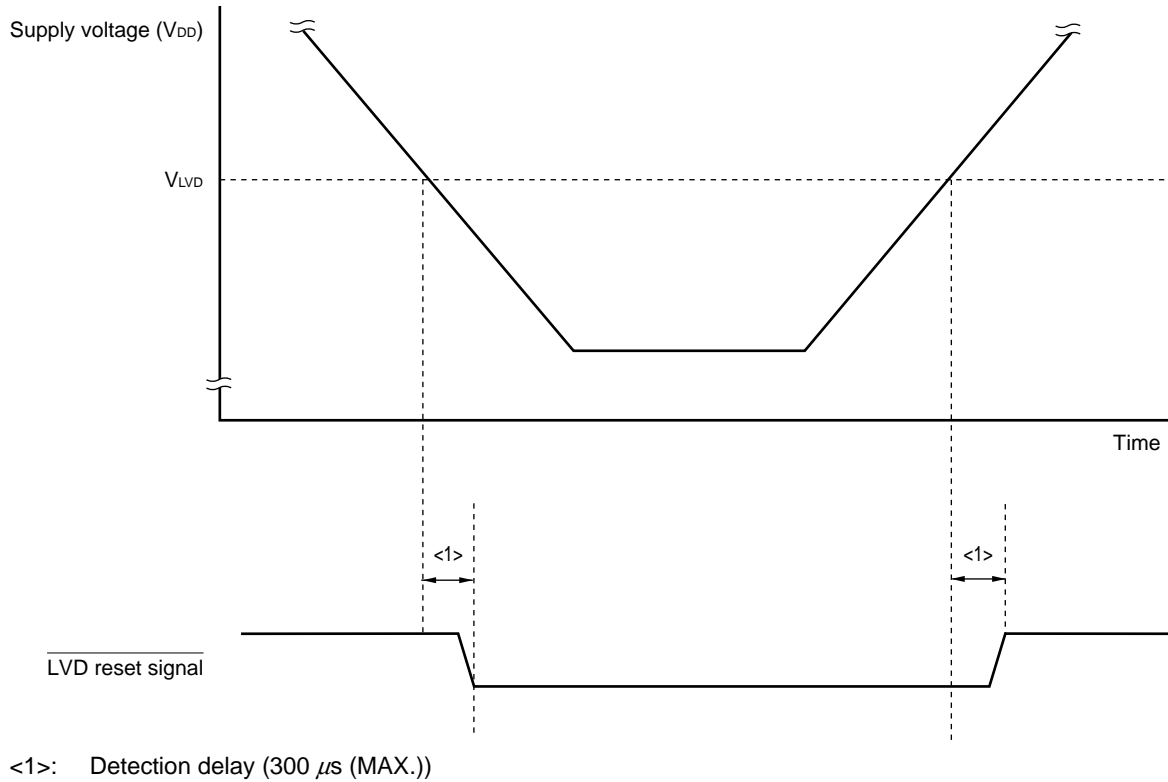
Note When instruction code FFH is executed. Reset by the illegal instruction execution is not issued by emulation with the in-circuit emulator or on-chip debug emulator.

(2) Delay from the time LVD reset source is generated until the time LVD reset has been generated or released

There is some delay from the time supply voltage (V_{DD}) < LVD detection voltage (V_{LVD}) until the time LVD reset has been generated.

In the same way, there is also some delay from the time LVD detection voltage (V_{LVD}) \leq supply voltage (V_{DD}) until the time LVD reset has been released (see **Figure 22-9**).

Figure 22-9. Delay from the time LVD reset source is generated until the time LVD reset has been generated or released



CHAPTER 23 SAFETY FUNCTIONS

23.1 Overview of Safety Functions

The following safety functions are provided in the RL78/L12 to comply with the IEC60730 and IEC61508 safety standards.

These functions enable the microcontroller to self-diagnose abnormalities and stop operating if an abnormality is detected.

(1) Flash memory CRC operation function (high-speed CRC, general-purpose CRC)

This detects data errors in the flash memory by performing CRC operations.

Two CRC functions are provided in the RL78/L12 that can be used according to the application or purpose of use.

- High-speed CRC: The CPU can be stopped and a high-speed check executed on its entire code flash memory area during the initialization routine.
- General CRC: This can be used for checking various data in addition to the code flash memory area while the CPU is running.

Caution The high-speed CRC function cannot be used in products with an 8 KB code flash memory (R5F10RB8, R5F10RF8, R5F10RG8, and R5F10RJ8).

(2) RAM parity error detection function

This detects parity errors when reading RAM data.

(3) RAM guard function

This prevents RAM data from being rewritten when the CPU freezes.

(4) SFR guard function

This prevents SFRs from being rewritten when the CPU freezes.

(5) Invalid memory access detection function

This detects illegal accesses to invalid memory areas (such as areas where no memory is allocated and areas to which access is restricted).

<R> (6) Frequency detection function

This function allows a self-check of the CPU/peripheral hardware clock frequencies using the timer array unit.

<R> (7) A/D test function

This is used to perform a self-check of the A/D converter by performing A/D conversion of the A/D converter's positive and negative reference voltages, analog input channel (ANI), temperature sensor output voltage, and internal reference voltage.

<R> **Remark** For usage examples of the safety functions complying with the IEC60730 safety standards, refer to the RL78 MCU series IEC60730/60335 self-test library application notes (R01AN1062 and R01AN1296).

23.2 Registers Used by Safety Functions

The safety functions use the following registers for each function.

Register	Each Function of Safety Function
<ul style="list-style-type: none"> Flash memory CRC control register (CRC0CTL) Flash memory CRC operation result register (PGCRCL) 	Flash memory CRC operation function (high-speed CRC)
<ul style="list-style-type: none"> CRC input register (CRCIN) CRC data register (CRCD) 	CRC operation function (general-purpose CRC)
<ul style="list-style-type: none"> RAM parity error control register (RPECTL) 	RAM parity error detection function
<ul style="list-style-type: none"> Invalid memory access detection control register (IAWCTL) 	RAM guard function
	SFR guard function
	Invalid memory access detection function
<ul style="list-style-type: none"> Timer input select register 0 (TIS0) 	Frequency detection function
<ul style="list-style-type: none"> A/D test register (ADTES) 	A/D test function

The content of each register is described in **23.3 Operation of Safety Functions**.

23.3 Operation of Safety Functions

23.3.1 Flash memory CRC operation function (high-speed CRC)

The IEC60730 standard mandates the checking of data in the flash memory, and recommends using CRC to do it. The high-speed CRC provided in the RL78/L12 can be used to check the entire code flash memory area during the initialization routine. The high-speed CRC can be executed only when the program is allocated on the RAM and in the HALT mode of the main system clock.

The high-speed CRC performs an operation by reading 32-bit data per clock from the flash memory while stopping the CPU. This function therefore can finish a check in a shorter time (for example, 512 μ s@24 MHz with 64-KB flash memory).

The CRC generator polynomial used complies with “ $X^{16} + X^{12} + X^5 + 1$ ” of CRC-16-CCITT.

The high-speed CRC operates in MSB first order from bit 31 to bit 0.

Cautions 1. The high-speed CRC function cannot be used in products with an 8 KB code flash memory (R5F10RB8, R5F10RF8, R5F10RG8, and R5F10RJ8).

2. The CRC operation result might differ during on-chip debugging because the monitor program is allocated.

Remark The operation result is different between the high-speed CRC and the general CRC, because the general CRC operates in LSB first order.

23.3.1.1 Flash memory CRC control register (CRC0CTL)

This register is used to control the operation of the high-speed CRC ALU, as well as to specify the operation range.

The CRC0CTL register can be set by a 1-bit or 8-bit memory manipulation instruction.

Reset signal generation clears this register to 00H.

Figure 23-1. Format of Flash Memory CRC Control Register (CRC0CTL)

Address: F02F0H After reset: 00H R/W

Symbol	<7>	6	5	4	3	2	1	0
CRC0CTL	CRC0EN	0	FEA5	FEA4	FEA3	FEA2	FEA1	FEA0

CRC0EN	Control of CRC ALU operation
0	Stop the operation.
1	Start the operation according to HALT instruction execution.

FEA5	FEA4	FEA3	FEA2	FEA1	FEA0	High-speed CRC operation range
0	0	0	0	0	0	0000H to 3FFBH (16 K to 4 bytes)
0	0	0	0	0	1	0000H to 7FFBH (32 K to 4 bytes)
Other than the above						Setting prohibited

Remark Input the expected CRC operation result value to be used for comparison in the lowest 4 bytes of the flash memory. Note that the operation range will thereby be reduced by 4 bytes.

23.3.1.2 Flash memory CRC operation result register (PGCRCL)

This register is used to store the high-speed CRC operation results.

The PGCRCL register can be set by a 16-bit memory manipulation instruction.

Reset signal generation clears this register to 0000H.

Figure 23-2. Format of Flash Memory CRC Operation Result Register (PGCRCL)

Address: F02F2H After reset: 0000H R/W

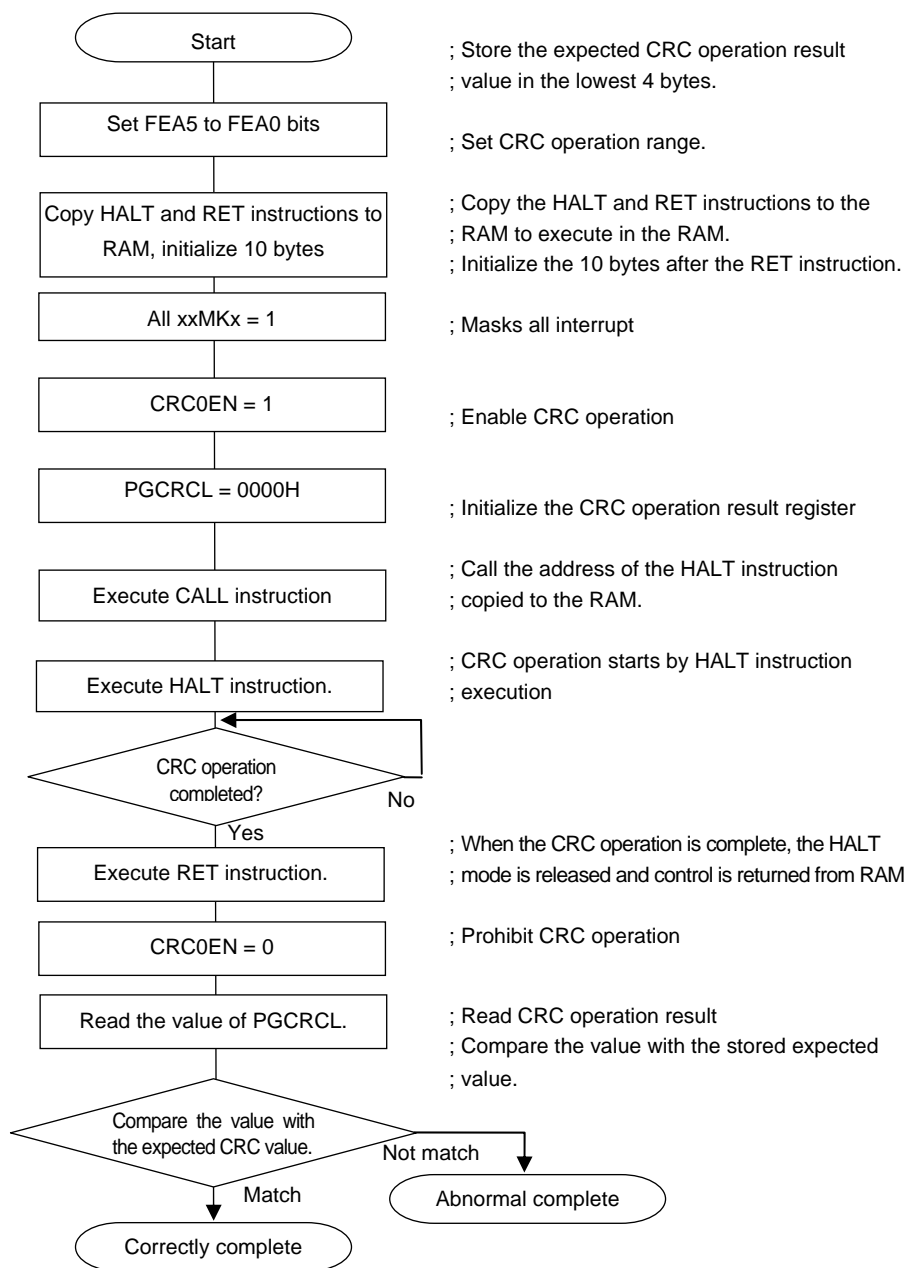
Symbol	15	14	13	12	11	10	9	8
PGCRCL	PGCRC15	PGCRC14	PGCRC13	PGCRC12	PGCRC11	PGCRC10	PGCRC9	PGCRC8
	7	6	5	4	3	2	1	0
	PGCRC7	PGCRC6	PGCRC5	PGCRC4	PGCRC3	PGCRC2	PGCRC1	PGCRC0
	PGCRC15 to PGCRC0		High-speed CRC operation results					
	0000H to FFFFH		Store the high-speed CRC operation results.					

Caution The PGCRCL register can only be written if CRC0EN (bit 7 of the CRC0CTL register) = 1.

Figure 23-3 shows the flowchart of flash memory CRC operation function (high-speed CRC).

<Operation flow>

<R> **Figure 23-3. Flowchart of Flash Memory CRC Operation Function (High-speed CRC)**



- Cautions**
1. The CRC operation is executed only on the code flash.
 2. Store the expected CRC operation value in the area below the operation range in the code flash.
 3. The CRC operation is enabled by executing the HALT instruction in the RAM area.
Be sure to execute the HALT instruction in RAM area.

The expected CRC value can be calculated by using the Integrated Development Environment CubeSuite+. See the Integrated Development Environment CubeSuite+ user's manual for details.

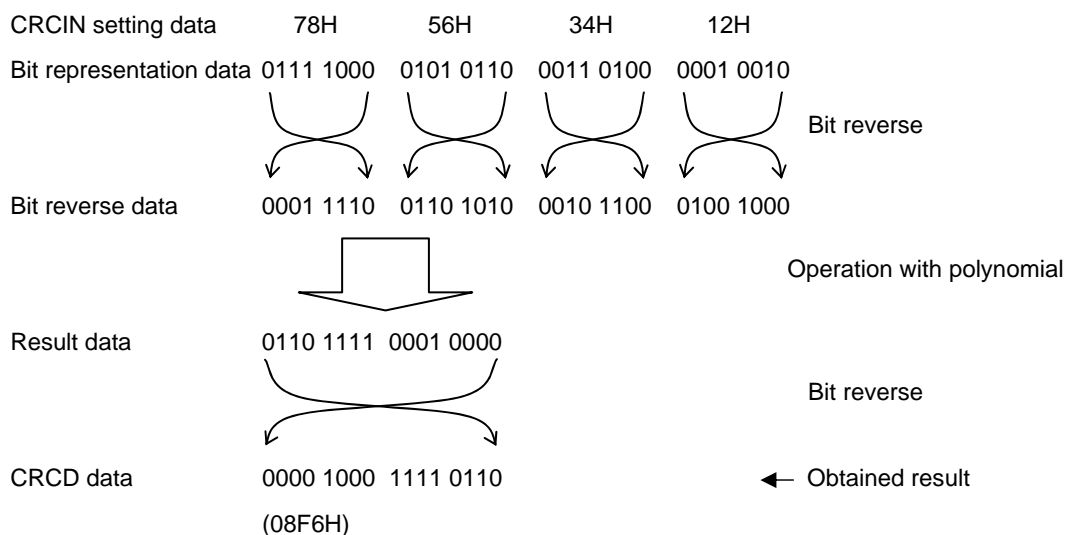
23.3.2 CRC operation function (general-purpose CRC)

In order to guarantee safety during operation, the IEC61508 standard mandates the checking of data even while the CPU is operating.

In the RL78/L12, a general CRC operation can be executed as a peripheral function while the CPU is operating. The general CRC can be used for checking various data in addition to the code flash memory area. The data to be checked can be specified by using software (a user-created program). CRC calculation function in the HALT mode can be used only during the DMA transmission.

The general CRC operation can be executed in the main system clock operation mode as well as the subsystem clock operation mode.

The CRC generator polynomial used is “ $X^{16} + X^{12} + X^5 + 1$ ” of CRC-16-CCITT. The data to be input is inverted in bit order and then calculated to allow for LSB-first communication. For example, if the data 12345678H is sent from the LSB, values are written to the CRCIN register in the order of 78H, 56H, 34H, and 12H, enabling a value of 08F6H to be obtained from the CRCD register. This is the result obtained by executing a CRC operation on the bit rows shown below, which consist of the data 12345678H inverted in bit order.



Caution Because the debugger rewrites the software break setting line to a break instruction during program execution, the CRC operation result differs if a software break is set in the CRC operation target area.

23.3.2.1 CRC input register (CRCIN)

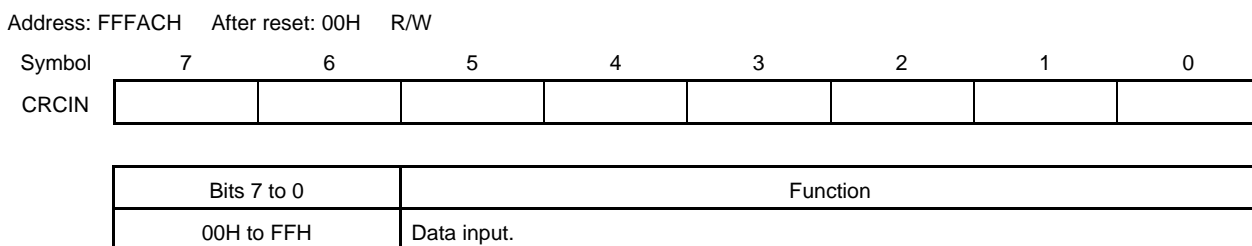
CRCIN register is an 8-bit register that is used to set the CRC operation data of general-purpose CRC.

The possible setting range is 00H to FFH.

The CRCIN register can be set by an 8-bit memory manipulation instruction.

Reset signal generation clears this register to 00H.

Figure 23-4. Format of CRC Input Register (CRCIN)



23.3.2.2 CRC data register (CRCD)

This register is used to store the CRC operation result of the general-purpose CRC.

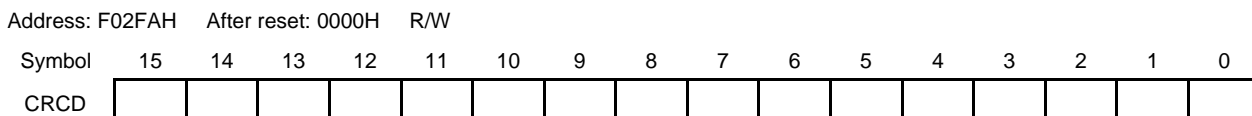
The setting range is 0000H to FFFFH.

After 1 clock of CPU/peripheral hardware clock (f_{CLK}) has elapsed from the time CRCIN register is written, the CRC operation result is stored to the CRCD register.

The CRCD register can be set by a 16-bit memory manipulation instruction.

Reset signal generation clears this register to 0000H.

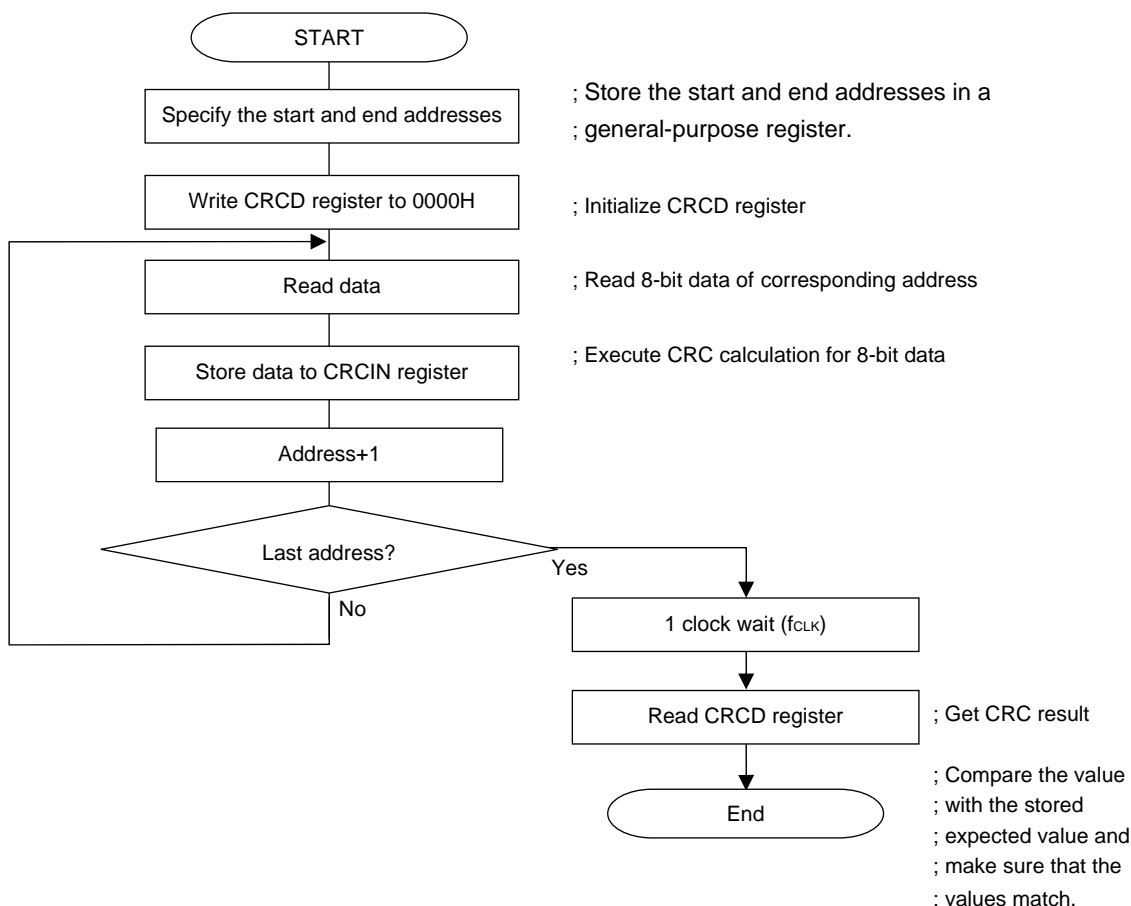
Figure 23-5. Format of CRC Data Register (CRCD)



- Cautions**
1. Read the value written to CRCD register before writing to CRCIN register.
 2. If conflict between writing and storing operation result to CRCD register occurs, the writing is ignored.

<Operation flow>

Figure 23-6. CRC Operation Function (General-Purpose CRC)



23.3.3 RAM parity error detection function

The IEC60730 standard mandates the checking of RAM data. A single-bit parity bit is therefore added to all 8-bit data in the RL78/L12's RAM. By using this RAM parity error detection function, the parity bit is appended when data is written, and the parity is checked when the data is read. This function can also be used to trigger a reset when a parity error occurs.

23.3.3.1 RAM parity error control register (RPECTL)

This register is used to control parity error generation check bit and reset generation due to parity errors.

The RPECTL register can be set by a 1-bit or 8-bit memory manipulation instruction.

Reset signal generation clears this register to 00H.

Figure 23-7. Format of RAM Parity Error Control Register (RPECTL)

Address: F00F5H After reset: 00H R/W

Symbol	<7>	6	5	4	3	2	1	<0>
RPECTL	RPERDIS	0	0	0	0	0	0	RPEF

RPERDIS	Parity error reset mask flag
0	Enable parity error resets.
1	Disable parity error resets.

RPEF	Parity error status flag
0	No parity error has occurred.
1	A parity error has occurred.

<R> **Caution** The parity bit is appended when data is written, and the parity is checked when the data is read.

Therefore, while RAM parity error resets are enabled (RPERDIS = 0), be sure to initialize RAM areas where data access is to proceed before reading data.

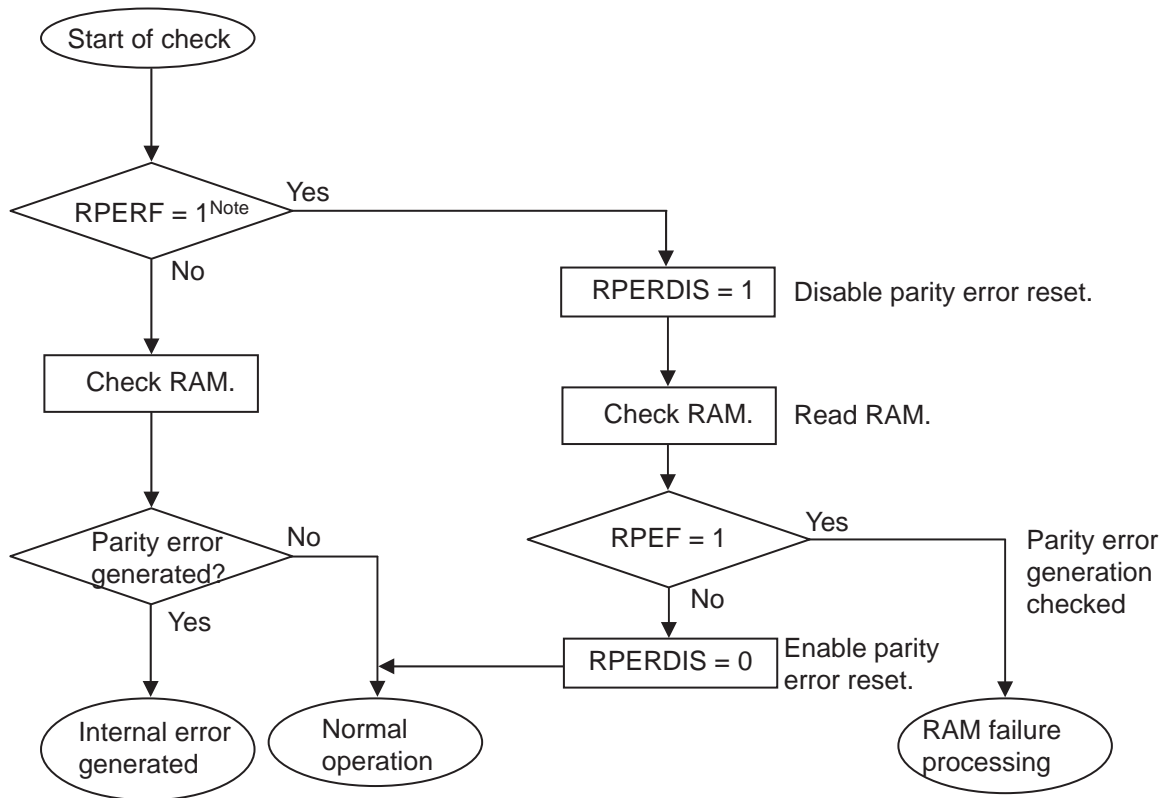
The RL78's CPU executes look-ahead due to the pipeline operation, the CPU might read an uninitialized RAM area that is allocated beyond the RAM used, which causes a RAM parity error.

Therefore, while RAM parity error resets are enabled (RPERDIS = 0), be sure to initialize the RAM area + 10 bytes when instructions are fetched from RAM areas.

- <R> **Remarks**
1. The parity error reset is enabled by default (RPERDIS = 0).
 2. Even if the parity error reset is disabled (RPERDIS = 1), the RPEF flag will be set (1) if a parity error occurs. If parity error resets are enabled (RPERDIS = 0) with RPEF set to 1, a parity error reset is generated when the RPERDIS bit is cleared to 0.
 3. The RPEF flag in the RPECTL register is set (1) when the RAM parity error occurs and cleared (0) by writing 0 to it or by any reset source. When RPEF = 1, the value is retained even if RAM for which no parity error has occurred is read.
 4. The general registers are not included for RAM parity error detection.

<R>

Figure 23-8. Flowchart of RAM Parity Check



Note To check internal reset status using a RAM parity error, see **CHAPTER 20 RESET FUNCTION**.

23.3.4 RAM guard function

In order to guarantee safety during operation, the IEC61508 standard mandates that important data stored in the RAM be protected, even if the CPU freezes.

This RAM guard function is used to protect data in the specified memory space.

If the RAM guard function is specified, writing to the specified RAM space is disabled, but reading from the space can be carried out as usual.

23.3.4.1 Invalid memory access detection control register (IAWCTL)

This register is used to control the detection of invalid memory access and RAM/SFR guard function.

GRAM1 and GRAM0 bits are used in RAM guard function.

The IAWCTL register can be set by an 8-bit memory manipulation instruction.

Reset signal generation clears this register to 00H.

Figure 23-9. Format of Invalid Memory Access Detection Control Register (IAWCTL)

Address: F0078H After reset: 00H R/W

Symbol	7	6	5	4	3	2	1	0
IAWCTL	IAWEN	0	GRAM1	GRAM0	0	GPORT	GINT	GCSC

GRAM1	GRAM0	RAM guard space ^{Note}
0	0	Disabled. RAM can be written to.
0	1	The 128 bytes starting at the RAM address
1	0	The 256 bytes starting at the RAM address
1	1	The 512 bytes starting at the RAM address

Note The RAM start address differs depending on the size of the RAM provided with the product.

23.3.5 SFR guard function

In order to guarantee safety during operation, the IEC61508 standard mandates that important SFRs be protected from being overwritten, even if the CPU freezes.

This SFR guard function is used to protect data in the control registers used by the port function, interrupt function, clock control function, voltage detection function, and RAM parity error detection function.

If the SFR guard function is specified, writing to the specified SFRs is disabled, but reading from the SFRs can be carried out as usual.

23.3.5.1 Invalid memory access detection control register (IAWCTL)

This register is used to control the detection of invalid memory access and RAM/SFR guard function.

GPORT, GINT and GCSC bits are used in SFR guard function.

The IAWCTL register can be set by an 8-bit memory manipulation instruction.

Reset signal generation clears this register to 00H.

Figure 23-10. Format of Invalid Memory Access Detection Control Register (IAWCTL)

Address: F0078H After reset: 00H R/W

Symbol	7	6	5	4	3	2	1	0
IAWCTL	IAWEN	0	GRAM1	GRAM0	0	GPORT	GINT	GCSC

GPORT	Control registers of port function guard
0	Disabled. Control registers of port function can be read or written to.
1	Enabled. Writing to control registers of port function is disabled. Reading is enabled. [Guarded SFR] PMxx, PUxx, PIMxx, POMxx, PMCxx, ADPC, PIOR, PFSEGxx, ISCLCD ^{Note 1}

GINT	Registers of interrupt function guard
0	Disabled. Registers of interrupt function can be read or written to.
1	Enabled. Writing to registers of interrupt function is disabled. Reading is enabled. [Guarded SFR] IFxx, MKxx, PRxx, EGPx, EGNx

GCSC ^{Notes 2}	Control registers of clock control function, voltage detector and RAM parity error detection function guard
0	Disabled. Control registers of clock control function, voltage detector and RAM parity error detection function can be read or written to.
1	Enabled. Writing to control registers of clock control function, voltage detector and RAM parity error detection function is disabled. Reading is enabled. [Guarded SFR] CMC, CSC, OSTs, CKC, PERx, OSMC, LVIM, LVIS, RPECTL

- Notes**
1. Pxx (Port register) is not guarded.
 2. Clear GCSC bit to 0, during self programming /serial programming.

23.3.6 Invalid memory access detection function

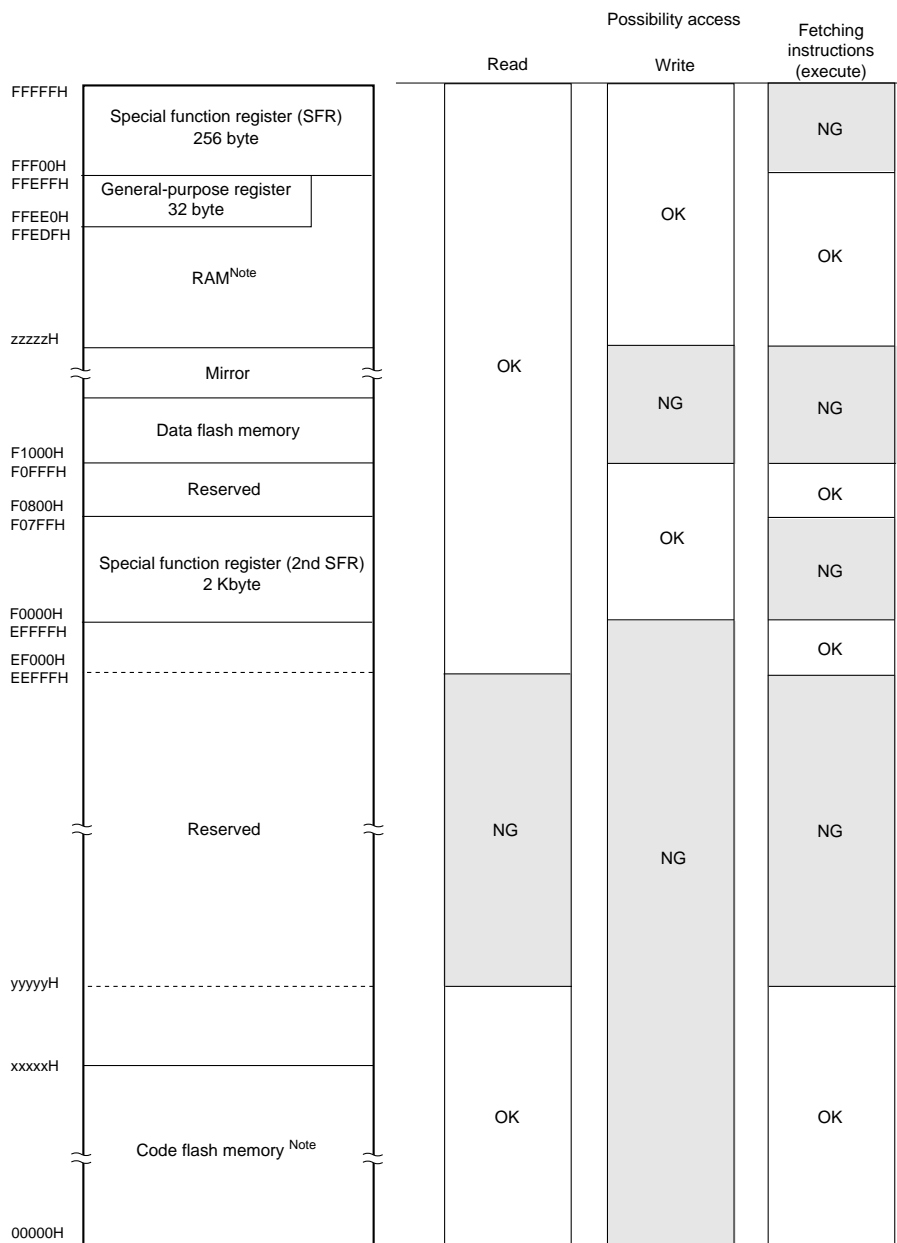
The IEC60730 standard mandates checking that the CPU and interrupts are operating correctly.

The illegal memory access detection function triggers a reset if a memory space specified as access-prohibited is accessed.

The illegal memory access detection function applies to the areas indicated by NG in Figure 23-11.

<R>

Figure 23-11. Invalid access detection area



<R> **Note** The following table lists the code flash memory, RAM, and lowest detection address for each product:

Products	Code flash memory (00000H to xxxxxH)	RAM (zzzzzH to FFEFFH)	Detected lowest address for read/instruction fetch (execution) (yyyyyH)
R5F10Rx8 (x = B, F, G, J)	8192 × 8 bit (00000H to 01FFFH)	1024 × 8 bit (FFB00H to FFEFFH)	10000H
R5F10RxA (x = B, F, G, J, L)	16384 × 8 bit (00000H to 03FFFH)	1024 × 8 bit (FFB00H to FFEFFH)	10000H
R5F10RxC (x = B, F, G, J, L)	32768 × 8 bit (00000H to 07FFFH)	1536 × 8 bit (FF900H to FFEFFH)	10000H

23.3.6.1 Invalid memory access detection control register (IAWCTL)

This register is used to control the detection of invalid memory access and RAM/SFR guard function.

IAWEN bit is used in invalid memory access detection function.

The IAWCTL register can be set by an 8-bit memory manipulation instruction.

Reset signal generation clears this register to 00H.

Figure 23-12. Format of Invalid Memory Access Detection Control Register (IAWCTL)

Address: F0078H After reset: 00H R/W

Symbol	7	6	5	4	3	2	1	0
IAWCTL	IAWEN	0	GRAM1	GRAM0	0	GPORT	GINT	GCSC

IAWEN ^{Note}	Control of invalid memory access detection
0	Disable the detection of invalid memory access.
1	Enable the detection of invalid memory access.

Note Only writing 1 to the IAWEN bit is enabled, not writing 0 to it after setting it to 1.

Remark By specifying WDTON = 1 for the option byte, the invalid memory access function is always enabled regardless of the setting for the IAWEN bit. (For details, see **CHAPTER 25 OPTION BYTE**.)

<R> 23.3.7 Frequency detection function

The IEC60730 standard mandates checking that the oscillation frequency is correct.

By using the CPU/peripheral hardware clock frequency (f_{CLK}) and measuring the pulse width of the input signal to channel 5 of the timer array unit 0 (TAU0), whether the proportional relationship between the two clock frequencies is correct can be determined. Note that, however, if one or both clock operations are completely stopped, the proportional relationship between the clocks cannot be determined.

<Clocks to be compared>

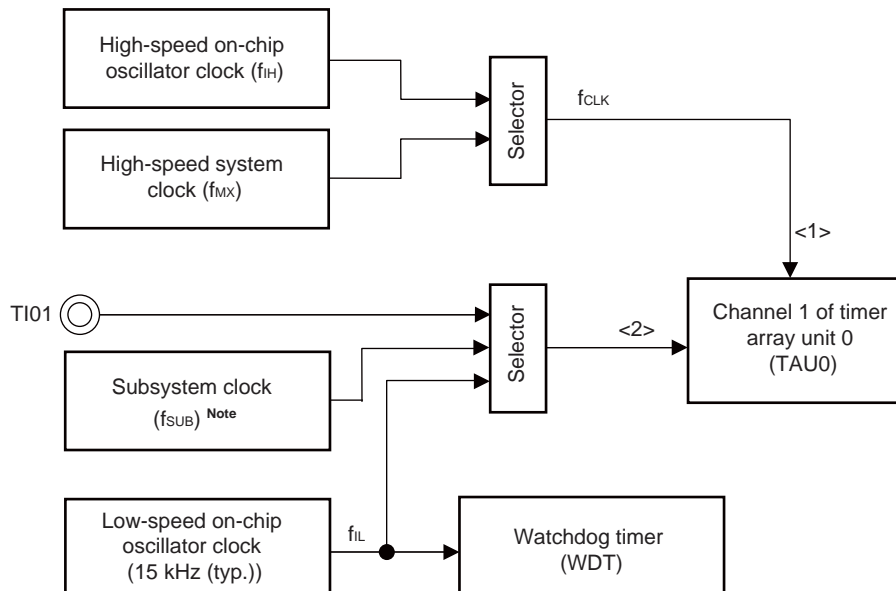
<1> CPU/peripheral hardware clock frequency (f_{CLK}):

- High-speed on-chip oscillator clock (f_{IH})
- High-speed system clock (f_{MX})

<2> Input to channel 1 of the timer array unit

- Timer input to channel 1 (TI01)
- Low-speed on-chip oscillator clock (f_{IL} : 15 kHz (typ.))
- Subsystem clock (f_{SUB}) **Note**

Figure 23-13. Configuration of Frequency Detection Function



<Operational overview>

Whether the clock frequency is correct or not can be judged by measuring the pulse interval under the following conditions:

- The high-speed on-chip oscillator clock (f_{IH}) or the external X1 oscillation clock (f_{MX}) is selected as the CPU/peripheral hardware clock (f_{CLK}).
- The low-speed on-chip oscillator clock (f_{IL} : 15 kHz) is selected as the timer input for channel 1 of timer array unit 0 (TAU0).

If input pulse interval measurement results in an abnormal value, it can be concluded that the clock frequency is abnormal.

For how to execute input pulse interval measurement, see **6.8.4 Operation as input pulse interval measurement**.

Note Can only be selected in the products incorporating the subsystem clock.

23.3.7.1 Timer input select register 0 (TIS0)

This register is used to select the timer input of channel 1.

By selecting the low-speed on-chip oscillator clock for the timer input, its pulse width can be measured to determine whether the proportional relationship between the low-speed on-chip oscillator clock and the timer operation clock is correct.

The TIS0 register can be set by an 8-bit memory manipulation instruction.

Reset signal generation clears this register to 00H.

Figure 23-14. Format of Timer Input Select Register 0 (TIS0)

Address: F0074H After reset: 00H R/W

Symbol	7	6	5	4	3	2	1	0
TIS0	0	0	0	0	0	TIS02	TIS01	TIS00

TIS02	TIS01	TIS00	Selection of timer input used with channel 1
0	0	0	Input signal of timer input pin (TI01)
1	0	0	Low-speed on-chip oscillator clock (f_{IL})
1	0	1	Subsystem clock (f_{SUB})
Other than the above			Setting prohibited

<R> 23.3.8 A/D test function

The IEC60730 standard mandates testing the A/D converter. The A/D test function checks whether or not the A/D converter is operating normally by executing A/D conversions of the A/D converter's positive and negative reference voltages, analog input channel (ANI), temperature sensor output voltage, and the internal reference voltage. For details of the check method, see the safety function (A/D test) application note (R01AN0955).

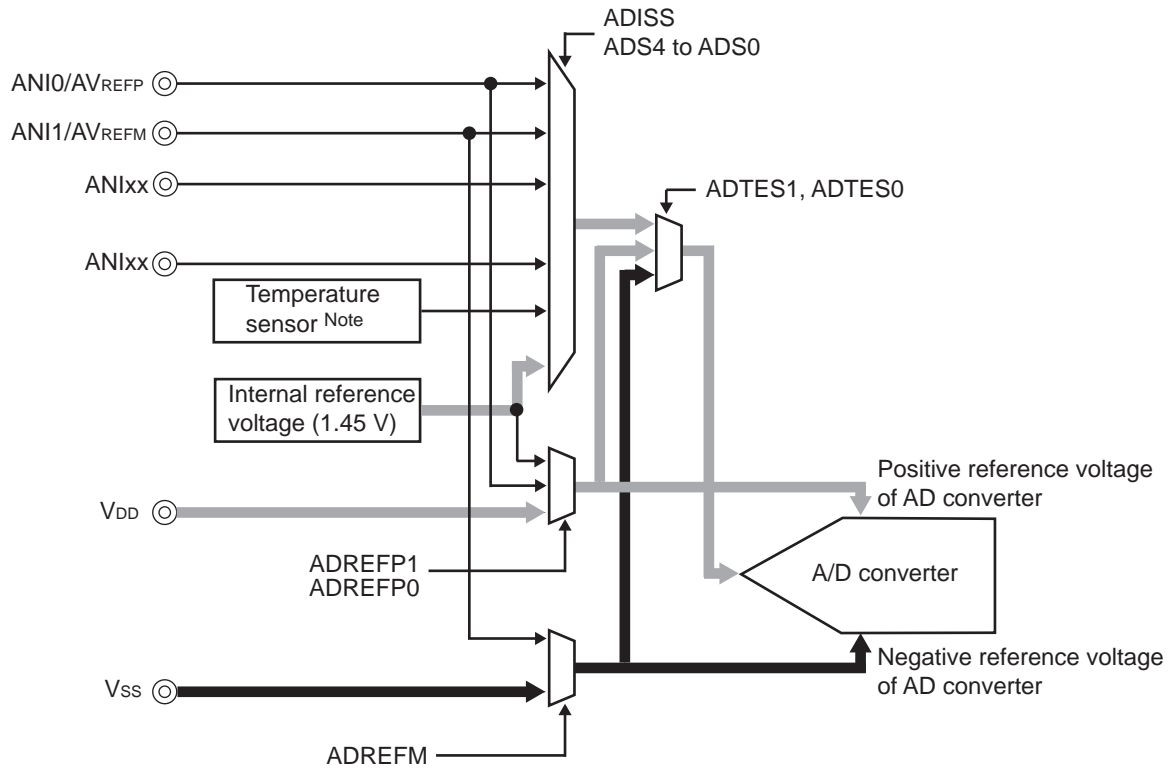
The analog multiplexer can be checked using the following procedure.

- <1> Select the ANIx pin for A/D conversion using the ADTES register (ADTES1 = 0, ADTES0 = 0).
- <2> Perform A/D conversion for the ANIx pin (conversion result 1-1).
- <3> Select the A/D converter's negative reference voltage for A/D conversion using the ADTES register (ADTES1 = 1, ADTES0 = 0)
- <4> Perform A/D conversion of the negative reference voltage of the A/D converter (conversion result 2-1).
- <5> Select the ANIx pin for A/D conversion using the ADTES register (ADTES1 = 0, ADTES0 = 0).
- <6> Perform A/D conversion for the ANIx pin (conversion result 1-2).
- <7> Select the A/D converter's positive reference voltage for A/D conversion using the ADTES register (ADTES1 = 1, ADTES0 = 1)
- <8> Perform A/D conversion of the positive reference voltage of the A/D converter (conversion result 2-2).
- <9> Select the ANIx pin for A/D conversion using the ADTES register (ADTES1 = 0, ADTES0 = 0).
- <10> Perform A/D conversion for the ANIx pin (conversion result 1-3).
- <11> Check that the conversion results 1-1, 1-2, and 1-3 are equal.
- <12> Check that the A/D conversion result 2-1 is all zero and conversion result 2-2 is all one.

Using the procedure above can confirm that the analog multiplexer is selected and all wiring is connected.

- Remarks 1.** If the analog input voltage is variable during A/D conversion in steps <1> to <10> above, use another method to check the analog multiplexer.
- 2.** The conversion results might contain an error. Consider an appropriate level of error when comparing the conversion results.

Figure 23-15. Configuration of A/D Test Function



Note This setting can be used only in HS (high-speed main) mode.

<R> 23.3.8.1 A/D test register (ADTES)

This register is used to select the A/D converter's positive reference voltage, A/D converter's negative reference voltage, analog input channel (ANLxx), temperature sensor output voltage, or internal reference voltage (1.45 V) as the target of A/D conversion.

When using the A/D test function, specify the following settings:

- Select negative reference voltage as the target of A/D conversion for zero-scale measurement.
- Select positive reference voltage as the target of A/D conversion for full-scale measurement.

The ADTES register can be set by an 8-bit memory manipulation instruction.

Reset signal generation clears this register to 00H.

Figure 23-16. Format of A/D Test Register (ADTES)

Address: F0013H After reset: 00H R/W

Symbol	7	6	5	4	3	2	1	0
ADTES	0	0	0	0	0	0	ADTES1	ADTES0

ADTES1	ADTES0	A/D conversion target
0	0	ANLxx/temperature sensor output voltage ^{Note} /internal reference voltage (1.45 V) ^{Note} (This is specified using the analog input channel specification register (ADS).)
1	0	Negative reference voltage (selected with the ADREFM bit in ADM2)
1	1	Positive reference voltage (selected with the ADREFP1 or ADREFP0 bit in ADM2)
Other than the above		Setting prohibited

Note Temperature sensor output voltage and internal reference voltage (1.45 V) can be used only in HS (high-speed main) mode.

<R> 23.3.8.2 Analog input channel specification register (ADS)

This register specifies the input channel of the analog voltage to be A/D converted.

Set A/D test register (ADTES) to 00H when measuring the ANIxx/temperature sensor output /internal reference voltage (1.45 V).

The ADS register can be set by a 1-bit or 8-bit memory manipulation instruction.

Reset signal generation clears this register to 00H.

Figure 23-17. Format of Analog Input Channel Specification Register (ADS)

Address: FFF31H After reset: 00H R/W

Symbol	7	6	5	4	3	2	1	0
ADS	ADISS	0	0	ADS4	ADS3	ADS2	ADS1	ADS0

ADISS	ADS4	ADS3	ADS2	ADS1	ADS0	Analog input channel	Input source
0	0	0	0	0	0	ANI0	P20/ANI0/AV _{REFP} pin
0	0	0	0	0	1	ANI1	P21/ANI1/AV _{REFM} pin
0	1	0	0	0	0	ANI16	P41/ANI16 pin
0	1	0	0	0	1	ANI17	P120/ANI17 pin
0	1	0	0	1	0	ANI18	P13/ANI18 pin
0	1	0	0	1	1	ANI19	P14/ANI19 pin
0	1	0	1	0	0	ANI20	P142/ANI20 pin
0	1	0	1	0	1	ANI21	P143/ANI21 pin
0	1	0	1	1	0	ANI22	P144/ANI22 pin
0	1	0	1	1	1	ANI23	P145/ANI23 pin
1	0	0	0	0	0	–	Temperature sensor output <small>Note</small>
1	0	0	0	0	1	–	Internal reference voltage output (1.45 V) <small>Note</small>
Other than the above						Setting prohibited	

Note Can only be used in HS (high-speed main) mode.

- Cautions**
1. Be sure to clear bits 5 and 6 to 0.
 2. Select input mode for the ports which are set to analog input with the ADPC and PMC registers, using the port mode registers 1, 2, 12, and 14 (PM1, PM2, PM, PM12, and PM14).
 3. Do not use the ADS register to set the pins which should be set as digital I/O with the A/D port configuration register (ADPC).
 4. Do not use the ADS register to set the pins which should be set as digital I/O with the port mode control registers 1, 4, 12, and 14 (PMC1, PMC4, PMC12, and PMC14).
 5. Only rewrite the value of the ADISS bit while conversion operation is stopped (ADCS = 0, ADCE = 0).
 6. If using AV_{REFP} as the + side reference voltage source of the A/D converter, do not select ANI0 as an A/D conversion channel.
 7. If using AV_{REFM} as the – side reference voltage source of the A/D converter, do not select ANI1 as an A/D conversion channel.
 8. When ADISS is 1, the internal reference voltage (1.45 V) cannot be used for the positive reference voltage. In addition, the first conversion result obtained after setting ADISS to 1 is not available. For detailed setting flow, see 11.7.4 Setup when temperature sensor

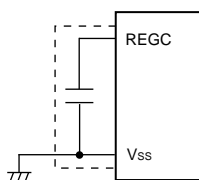
output/internal reference voltage output is selected (example for software trigger mode and one-shot conversion mode).

9. If a transition is made to STOP mode or a transition is made to HALT mode during CPU operation with subsystem clock, do not set ADISS to 1. When ADISS is 1, the A/D converter reference voltage current (I_{ADREF}) shown in 30.3.2 or 31.3.2 Supply current characteristics is added.

CHAPTER 24 REGULATOR

24.1 Regulator Overview

The RL78/L12 contains a circuit for operating the device with a constant voltage. At this time, in order to stabilize the regulator output voltage, connect the REGC pin to V_{SS} via a capacitor (0.47 to 1 μF). Also, use a capacitor with good characteristics, since it is used to stabilize internal voltage.



Caution Keep the wiring length as short as possible for the broken-line part in the above figure.

The regulator output voltage, see Table 24-1.

Table 24-1. Regulator Output Voltage Conditions

Mode	Output Voltage	Condition
LV (low voltage main) mode	1.8 V	-
LS (low-speed main) mode		
HS (high-speed main) mode	1.8 V	In STOP mode
		When both the high-speed system clock (f _{MX}) and the high-speed on-chip oscillator clock (f _{IH}) are stopped during CPU operation with the subsystem clock (f _{XT})
	When both the high-speed system clock (f _{MX}) and the high-speed on-chip oscillator clock (f _{IH}) are stopped during the HALT mode when the CPU operation with the subsystem clock (f _{XT}) has been set	
	2.1 V	Other than above (include during OCD mode) ^{Note}

Note When it shifts to the subsystem clock operation or STOP mode during the on-chip debugging, the regulator output voltage is kept at 2.1 V (not decline to 1.8 V).

CHAPTER 25 OPTION BYTE

25.1 Functions of Option Bytes

Addresses 000C0H to 000C3H of the flash memory of the RL78/L12 form an option byte area.

Option bytes consist of user option byte (000C0H to 000C2H) and on-chip debug option byte (000C3H).

Upon power application or resetting and starting, an option byte is automatically referenced and a specified function is set. When using the product, be sure to set the following functions by using the option bytes.

For the bits to which no function is allocated, be sure to set the value specified in this manual.

25.1.1 User option byte (000C0H to 000C2H)

(1) 000C0H

- Operation of watchdog timer
 - Operation is stopped or enabled in the HALT or STOP mode.
- Setting of overflow time of watchdog timer
- Operation of watchdog timer
 - Operation is stopped or enabled.
- Setting of window open period of watchdog timer
- Setting of interval interrupt of watchdog timer
 - Used or not used

<R> (2) 000C1H

- Setting of LVD operation mode
 - Interrupt & reset mode.
 - Reset mode.
 - Interrupt mode.
 - LVD off (by controlling the externally input reset signal on the $\overline{\text{RESET}}$ pin)
- Setting of LVD detection level (V_{LVDH} , V_{LVDL} , V_{LVD})

Caution After power is supplied, the reset state must be retained until the operating voltage becomes in the range defined in 30.4 or 31.4 AC Characteristics. This is done by utilizing the voltage detection circuit or controlling the externally input reset signal. After the power supply is turned off, this LSI should be placed in the STOP mode, or placed in the reset state by utilizing the voltage detection circuit or controlling the externally input reset signal, before the voltage falls below the operating range. The range of operating voltage varies with the setting of the user option byte (000C2H).

(3) 000C2H

- Setting of flash operation mode
 - LV (low voltage main) mode
 - LS (low speed main) mode
 - HS (high speed main) mode
- Setting of the frequency of the high-speed on-chip oscillator
 - Select from 24 MHz/16 MHz/12 MHz/8 MHz/6 MHz/4 MHz/3 MHz/2 MHz/1 MHz (TYP.).

25.1.2 On-chip debug option byte (000C3H)

- Control of on-chip debug operation
 - On-chip debug operation is disabled or enabled.
- Handling of data of flash memory in case of failure in on-chip debug security ID authentication
 - Data of flash memory is erased or not erased in case of failure in on-chip debug security ID authentication.

25.2 Format of User Option Byte

The format of user option byte is shown below.

Figure 25-1. Format of User Option Byte (000C0H)

Address: 000C0H

	7	6	5	4	3	2	1	0
	WDTINT	WINDOW1	WINDOW0	WDTON	WDCS2	WDCS1	WDCS0	WDSTBYON

WDTINT	Use of interval interrupt of watchdog timer	
0	Interval interrupt is not used.	
1	Interval interrupt is generated when $75\% + 1/2f_{IL}$ of the overflow time is reached.	

WINDOW1	WINDOW0	Watchdog timer window open period ^{Note}
0	0	Setting prohibited
0	1	50%
1	0	75%
1	1	100%

WDTON	Operation control of watchdog timer counter
0	Counter operation disabled (counting stopped after reset)
1	Counter operation enabled (counting started after reset)

WDCS2	WDCS1	WDCS0	Watchdog timer overflow time ($f_{IL} = 17.25 \text{ kHz (MAX.)}$)
0	0	0	$2^6/f_{IL}$ (3.71 ms)
0	0	1	$2^7/f_{IL}$ (7.42 ms)
0	1	0	$2^8/f_{IL}$ (14.84 ms)
0	1	1	$2^9/f_{IL}$ (29.68 ms)
1	0	0	$2^{11}/f_{IL}$ (118.72 ms)
1	0	1	$2^{13}/f_{IL}$ (474.90 ms)
1	1	0	$2^{14}/f_{IL}$ (949.80 ms)
1	1	1	$2^{16}/f_{IL}$ (3799.19 ms)

WDSTBYON	Operation control of watchdog timer counter (HALT/STOP mode)
0	Counter operation stopped in HALT/STOP mode ^{Note}
1	Counter operation enabled in HALT/STOP mode

Note The window open period is 100% when WDSTBYON = 0, regardless the value of the WINDOW1 and WINDOW0 bits.

Caution The watchdog timer continues its operation even during self-programming or data flash rewrite. During processing, the interrupt acknowledge time is delayed. Set the overflow time and window size taking this delay into consideration.

Remark f_{IL} : Low-speed on-chip oscillator clock frequency

<R>

Figure 25-2. Format of User Option Byte (000C1H) (1/2)

Address: 000C1H

	7	6	5	4	3	2	1	0
	VPOC2	VPOC1	VPOC0	1	LVIS1	LVIS0	LVIMDS1	LVIMDS0

• LVD setting (interrupt & reset mode)

Detection voltage			Option byte setting value						
V _{LVDH}		V _{LVDL}	VPOC2	VPOC1	VPOC0	LVIS1	LVIS0	Mode setting	
Rising edge	Falling edge	Falling edge						LVIMDS1	LVIMDS0
1.77 V	1.73 V	1.63 V	0	0	0	1	0	1	0
1.88 V	1.84 V					0	1		
2.92 V	2.86 V					0	0		
1.98 V	1.94 V	1.84 V		0	1	1	0		
2.09 V	2.04 V					0	1		
3.13 V	3.06 V					0	0		
2.61 V	2.55 V	2.45 V		1	0	1	0		
2.71 V	2.65 V					0	1		
3.75 V	3.67 V					0	0		
2.92 V	2.86 V	2.75 V		1	1	1	0		
3.02 V	2.96 V					0	1		
4.06 V	3.98 V					0	0		
Other than above			Setting prohibited						

• LVD setting (reset mode)

Detection voltage		Option byte setting value								
V _{LVD}		VPOC2	VPOC1	VPOC0	LVIS1	LVIS0	Mode setting			
Rising edge	Falling edge						LVIMDS1	LVIMDS0		
1.67 V	1.63 V	0	0	0	1	1	1	1		
1.77 V	1.73 V		0	0	1	0				
1.88 V	1.84 V		0	1	1	1				
1.98 V	1.94 V		0	1	1	0				
2.09 V	2.04 V		0	1	0	1				
2.50 V	2.45 V		1	0	1	1				
2.61 V	2.55 V		1	0	1	0				
2.71 V	2.65 V		1	0	0	1				
2.81 V	2.75 V		1	1	1	1				
2.92 V	2.86 V		1	1	1	0				
3.02 V	2.96 V		1	1	0	1				
3.13 V	3.06 V		0	1	0	0				
3.75 V	3.67 V		1	0	0	0				
4.06 V	3.98 V		1	1	0	0				
Other than above			Setting prohibited							

Remarks 1. For details on the LVD circuit, see **CHAPTER 22 VOLTAGE DETECTOR**.

2. The detection voltage is a typical value. For details, see **30.6.4** or **31.6.4 LVD circuit characteristics**.

(Cautions are listed on the next page.)

<R>

Figure 25-2. Format of User Option Byte (000C1H) (2/2)

Address: 000C1H

7	6	5	4	3	2	1	0
VPOC2	VPOC1	VPOC0	1	LVIS1	LVIS0	LVIMDS1	LVIMDS0

• LVD setting (interrupt mode)

Detection voltage		Option byte setting value						
V _{LVD}		VPOC2	VPOC1	VPOC0	LVIS1	LVIS0	Mode setting	
Rising edge	Falling edge						LVIMDS1	LVIMDS0
1.67 V	1.63 V	0	0	0	1	1	0	1
1.77 V	1.73 V		0	0	1	0		
1.88 V	1.84 V		0	1	1	1		
1.98 V	1.94 V		0	1	1	0		
2.09 V	2.04 V		0	1	0	1		
2.50 V	2.45 V		1	0	1	1		
2.61 V	2.55 V		1	0	1	0		
2.71 V	2.65 V		1	0	0	1		
2.81 V	2.75 V		1	1	1	1		
2.92 V	2.86 V		1	1	1	0		
3.02 V	2.96 V		1	1	0	1		
3.13 V	3.06 V		0	1	0	0		
3.75 V	3.67 V		1	0	0	0		
4.06 V	3.98 V		1	1	0	0		
Other than above			Setting prohibited					

• LVD off (by controlling the externally input reset signal on the RESET pin)

Detection voltage		Option byte setting value						
V _{LVD}		VPOC2	VPOC1	VPOC0	LVIS1	LVIS0	Mode setting	
Rising edge	Falling edge						LVIMDS1	LVIMDS0
–	–	1	x	x	x	x	0/1	1
Other than above		Setting prohibited						

Cautions 1. Be sure to set bit 4 to “1”.

<R>

- After power is supplied, the reset state must be retained until the operating voltage becomes in the range defined in 30.4 or 31.4 AC Characteristics. This is done by utilizing the voltage detection circuit or controlling the externally input reset signal. After the power supply is turned off, this LSI should be placed in the STOP mode, or placed in the reset state by utilizing the voltage detection circuit or controlling the externally input reset signal, before the voltage falls below the operating range.
The range of operating voltage varies with the setting of the user option byte (000C2H).

Remarks 1. x: don't care

- For details on the LVD circuit, see CHAPTER 22 VOLTAGE DETECTOR.

<R>

- The detection voltage is a typical value. For details, see 30.6.4 or 31.6.4 LVD circuit characteristics.

Figure 25-3. Format of Option Byte (000C2H)

Address: 000C2H

7	6	5	4	3	2	1	0
CMODE1	CMODE0	1	0	FRQSEL3	FRQSEL2	FRQSEL1	FRQSEL0

CMODE1	CMODE0	Setting of flash operation mode		
			Operating frequency range	Operating voltage range
0	0	LV (low voltage main) mode	1 to 4 MHz	1.6 to 5.5 V
1	0	LS (low speed main) mode	1 to 8 MHz	1.8 to 5.5 V
1	1	HS (high speed main) mode	1 to 16 MHz	2.4 to 5.5 V
			1 to 24 MHz	2.7 to 5.5 V
Other than above		Setting prohibited		

FRQSEL3	FRQSEL2	FRQSEL1	FRQSEL0	Frequency of the high-speed on-chip oscillator
0	0	0	0	24 MHz
1	0	0	1	16 MHz
0	0	0	1	12 MHz
1	0	1	0	8 MHz
0	0	1	0	6 MHz
1	0	1	1	4 MHz
0	0	1	1	3 MHz
1	1	0	0	2 MHz
1	1	0	1	1 MHz
Other than above				Setting prohibited

Cautions 1. Be sure to set 10B to bits 5 and 4.

<R>

2. The ranges of operating frequency and operating voltage vary depending on the flash operation mode. For details, see 30.4 or 31.4 AC Characteristics.

25.3 Format of On-chip Debug Option Byte

The format of on-chip debug option byte is shown below.

Figure 25-4. Format of On-chip Debug Option Byte (000C3H)

Address: 000C3H

7	6	5	4	3	2	1	0
OCDENSET	0	0	0	0	1	0	OCDERSD

OCDENSET	OCDERSD	Control of on-chip debug operation
0	0	Disables on-chip debug operation.
0	1	Setting prohibited
1	0	Enables on-chip debugging. Erases data of flash memory in case of failures in authenticating on-chip debug security ID.
1	1	Enables on-chip debugging. Does not erase data of flash memory in case of failures in authenticating on-chip debug security ID.

Caution Bits 7 and 0 (OCDENSET and OCDERSD) can only be specified a value.
Be sure to set 000010B to bits 6 to 1.

Remark The value on bits 3 to 1 will be written over when the on-chip debug function is in use and thus it will become unstable after the setting.
However, be sure to set the default values (0, 1, and 0) to bits 3 to 1 at setting.

25.4 Setting of Option Byte

The user option byte and on-chip debug option byte can be set using the assembler linker option, in addition to describing to the source. When doing so, the contents set by using the linker option take precedence, even if descriptions exist in the source, as mentioned below.

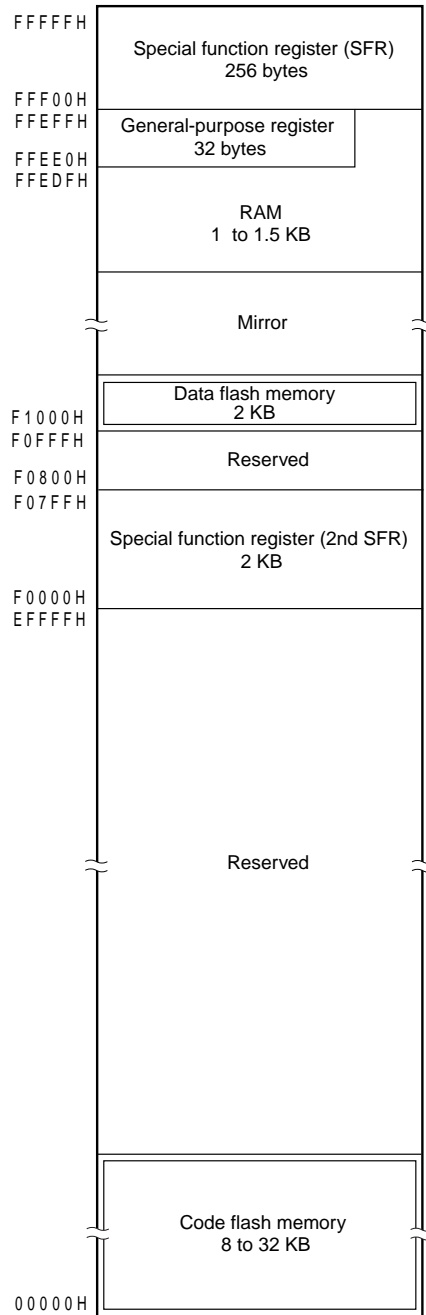
A software description example of the option byte setting is shown below.

OPT	CSEG	OPT_BYTE	
	DB	36H	; Does not use interval interrupt of watchdog timer, ; Enables watchdog timer operation, ; Window open period of watchdog timer is 50%, ; Overflow time of watchdog timer is $2^9/f_{IL}$, ; Stops watchdog timer operation during HALT/STOP mode
	DB	1AH	; Select 1.63 V for V_{LVDL} ; Select rising edge 1.77 V, falling edge 1.73 V for V_{LVDH} ; Select the interrupt & reset mode as the LVD operation mode
	DB	2DH	; Select the LV (low voltage main) mode as the flash operation mode and 1 MHz as the frequency of the high-speed on-chip oscillator clock
	DB	85H	; Enables on-chip debug operation, does not erase flash memory data when security ID authorization fails

Caution To specify the option byte by using assembly language, use **OPT_BYTE** as the relocation attribute name of the **CSEG** pseudo instruction.

CHAPTER 26 FLASH MEMORY

The RL78 microcontroller incorporates the flash memory to which a program can be written, erased, and overwritten. The flash memory includes the “code flash memory”, in which programs can be executed, and the “data flash memory”, an area for storing data.



<R> The following methods for programming the flash memory are available.

The code flash memory can be rewritten to through serial programming using a flash memory programmer or an external device (UART communication), or through self-programming.

- Serial programming using flash memory programmer (see **26.1**)
Data can be written to the flash memory on-board or off-board by using a dedicated flash memory programmer.
- Serial programming using external device (UART communication) (see **26.2**)
Data can be written to the flash memory on-board through UART communication with an external device (microcontroller or ASIC).
- Self-programming (see **26.6**)
The user application can execute self-programming of the code flash memory by using the flash self-programming library.

The data flash memory can be rewritten to by using the flash data library during user program execution (background operation). For access and writing to the data flash memory, see **26.8 Data Flash**.

26.1 Writing to Flash Memory by Using Flash Memory Programmer

The following dedicated flash memory programmer can be used to write data to the internal flash memory of the RL78 microcontroller.

- PG-FP5, FL-PR5
- E1 on-chip debugging emulator

Data can be written to the flash memory on-board or off-board, by using a dedicated flash memory programmer.

(1) On-board programming

The contents of the flash memory can be rewritten after the RL78 microcontroller has been mounted on the target system. The connectors that connect the dedicated flash memory programmer must be mounted on the target system.

(2) Off-board programming

Data can be written to the flash memory with a dedicated program adapter (FA series) before the RL78 microcontroller is mounted on the target system.

Remark FL-PR5 and FA series are products of Naito Densai Machida Mfg. Co., Ltd.

Table 26-1. Wiring Between RL78/L12 and Dedicated Flash Memory Programmer

Pin Configuration of Dedicated Flash Memory Programmer				Pin Name	Pin No.					
Signal Name		I/O	Pin Function		32-pin	44-pin	48-pin	52-pin	64-pin	
PG-FP5, FL-PR5	E1 on-chip debugging emulator					WQFN (5x5)	LQFP (10x10)	LQFP (7x7)	LQFP (10x10)	LQFP (12x12), LQFP (10x10), WQFN (8x8)
–	TOOL0	I/O	Transmit/receive signal	TOOL0/ P40	1	2	3	4	5	
SI/RxD	–	I/O	Transmit/receive signal							
SCK	–	Output	–	–	–	–	–	–	–	
CLK	–	Output	–	–	–	–	–	–	–	
–	$\overline{\text{RESET}}$	Output	Reset signal	$\overline{\text{RESET}}$	2	3	4	5	6	
/RESET	–	Output								
FLMD0	–	Output	Mode signal	–	–	–	–	–	–	
V _{DD}		I/O	V _{DD} voltage generation/ power monitoring	V _{DD}	8	11	12	13	15	
GND		–	Ground	V _{SS}	7	10	11	12	13	
				EV _{SS}	–	–	–	–	–	14
				REGC Note	6	9	10	11	12	12
EMV _{DD}		–	Driving power for TOOL pin	V _{DD}	8	11	12	13	–	
				EV _{DD}	–	–	–	–	–	16

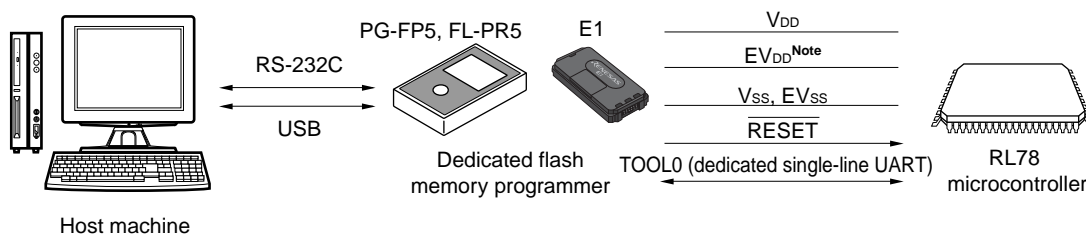
<R> **Note** Connect REGC pin to ground via a capacitor (0.47 to 1 μ F).

Remark Pins that are not indicated in the above table can be left open when using the flash memory programmer for flash programming.

26.1.1 Programming Environment

The environment required for writing a program to the flash memory of the RL78 microcontroller is illustrated below.

Figure 26-1. Environment for Writing Program to Flash Memory



Note 64-pin products only.

A host machine that controls the dedicated flash memory programmer is necessary.

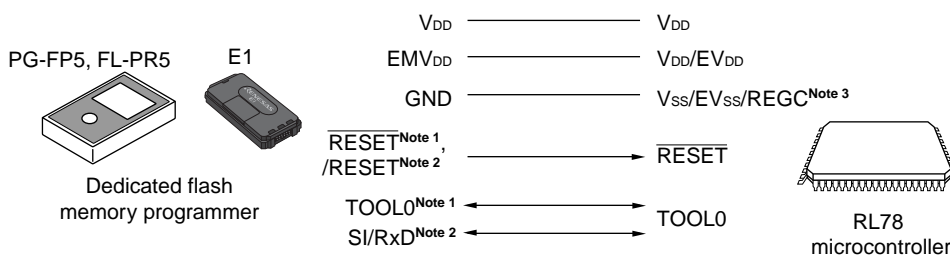
To interface between the dedicated flash memory programmer and the RL78 microcontroller, the TOOL0 pin is used for manipulation such as writing and erasing via a dedicated single-line UART.

26.1.2 Communication Mode

Communication between the dedicated flash memory programmer and the RL78 microcontroller is established by serial communication using the TOOL0 pin via a dedicated single-line UART of the RL78 microcontroller.

Transfer rate: 1 M, 500 k, 250 k, 115.2 kbps

Figure 26-2. Communication with Dedicated Flash Memory Programmer



- Notes**
1. When using E1 on-chip debugging emulator.
 2. When using PG-FP5 or FL-PR5.
 3. Connect REGC pin to ground via a capacitor (0.47 to 1 μ F).

<R>

The dedicated flash memory programmer generates the following signals for the RL78 microcontroller. See the manual of PG-FP5, FL-PR5, or E1 on-chip debugging emulator for details.

Table 26-2. Pin Connection

Dedicated Flash Memory Programmer			RL78 microcontroller	
Signal Name		I/O	Pin Function	Pin Name
PG-FP5, FL-PR5	E1 on-chip debugging emulator			
V _{DD}		I/O	V _{DD} voltage generation/power monitoring	V _{DD}
GND		–	Ground	V _{SS} , EV _{SS} , REGC ^{Note}
EMV _{DD}		–	Driving power for TOOL0 pin	V _{DD} , EV _{DD}
/RESET	–	Output	Reset signal	RESET
–	RESET	Output		
–	TOOL0	I/O	Transmit/receive signal	TOOL0
SI/RxD	–	I/O	Transmit/receive signal	

Note Connect REGC pin to ground via a capacitor (0.47 to 1 μF).

Caution Pins to be connected differ with the product. For details, see Table 26-1.

26.2 Writing to Flash Memory by Using External Device (that Incorporates UART)

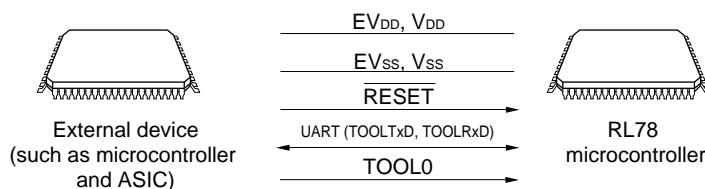
On-board data writing to the internal flash memory is possible by using the RL78 microcontroller and an external device (a microcontroller or ASIC) connected to a UART.

On the development of flash memory programmer by user, refer to the RL78 Microcontrollers (RL78 Protocol A) Programmer Edition Application Note (R01AN0815).

26.2.1 Programming Environment

The environment required for writing a program to the flash memory of the RL78 microcontroller is illustrated below.

Figure 26-3. Environment for Writing Program to Flash Memory



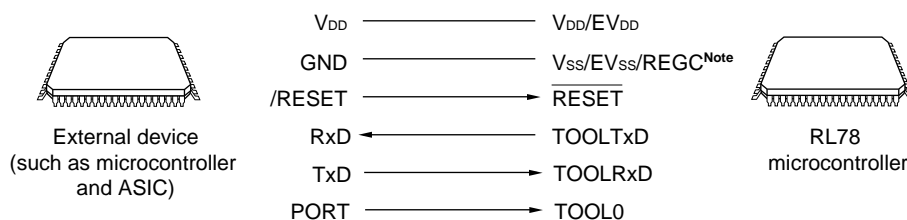
Processing to write data to or delete data from the RL78 microcontroller by using an external device is performed on-board. Off-board writing is not possible.

26.2.2 Communication Mode

Communication between the external device and the RL78 microcontroller is established by serial communication using the TOOLTxD and TOOLRxD pins via the dedicated UART of the RL78 microcontroller.

Transfer rate: 1 M, 500 k, 250 k, 115.2 kbps

Figure 26-4. Communication with External Device



<R> **Note** Connect REGC pin to ground via a capacitor (0.47 to 1 μ F).

The external device generates the following signals for the RL78/L12.

Table 26-3. Pin Connection

External Device			RL78 microcontroller
Signal Name	I/O	Pin Function	Pin Name
V _{DD}	I/O	V _{DD} voltage generation/power monitoring	V _{DD} , EV _{DD}
GND	–	Ground	V _{SS} , EV _{SS} , REGC ^{Note}
RESETOUT	Output	Reset signal output	RESET
RxD	Input	Receive signal	TOOLTxD
TxD	Output	Transmit signal	TOOLRxD
PORT	Output	Mode signal	TOOL0

<R> **Note** Connect REGC pin to ground via a capacitor (0.47 to 1 μ F).

26.3 Connection of Pins on Board

To write the flash memory on-board by using the flash memory programmer, connectors that connect the dedicated flash memory programmer must be provided on the target system. First provide a function that selects the normal operation mode or flash memory programming mode on the board.

When the flash memory programming mode is set, all the pins not used for programming the flash memory are in the same status as immediately after reset. Therefore, if the external device does not recognize the state immediately after reset, the pins must be handled as described below.

Remark For flash programming mode, see **26.6 Self-Programming**.

26.3.1 P40/TOOL0 pin

In the flash memory programming mode, connect this pin to the dedicated flash memory programmer via an external 1 k Ω pull-up resistor.

When this pin is used as the port pin, use that by the following method.

When used as an input pin: Input of low-level is prohibited for 1 ms period after external pin reset release. Furthermore, when this pin is used via pull-down resistors, use the 500 k Ω or more resistors.

When used as an output pin: When this pin is used via pull-down resistors, use the 500 k Ω or more resistors.

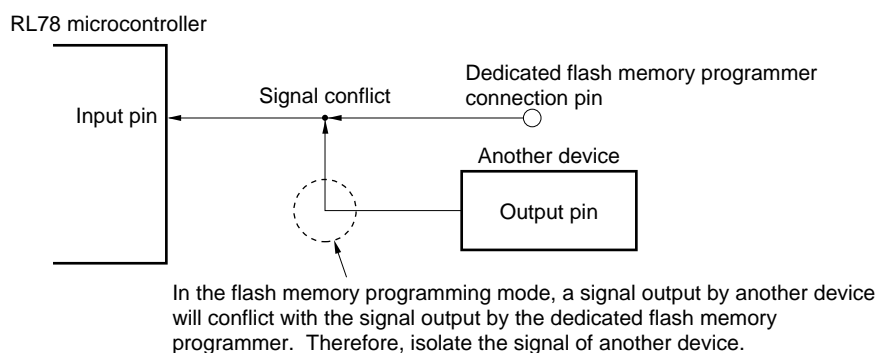
- <R> **Remarks 1.** t_{HD} : How long to keep the TOOL0 pin at the low level from when the external and internal resets end for setting of the flash memory programming mode (see **30.11** or **31.11 Timing Specifications for Switching Flash Memory Programming Modes**).
- 2.** The SAU and IICA pins are not used for communication between the RL78 microcontroller and dedicated flash memory programmer, because single-line UART (TOOL0 pin) is used.

26.3.2 $\overline{\text{RESET}}$ pin

Signal conflict will occur if the reset signal of the dedicated flash memory programmer and external device are connected to the $\overline{\text{RESET}}$ pin that is connected to the reset signal generator on the board. To prevent this conflict, isolate the connection with the reset signal generator.

The flash memory will not be correctly programmed if the reset signal is input from the user system while the flash memory programming mode is set. Do not input any signal other than the reset signal of the dedicated flash memory programmer and external device.

Figure 26-5. Signal Conflict ($\overline{\text{RESET}}$ Pin)



26.3.3 Port pins

When the flash memory programming mode is set, all the pins not used for flash memory programming enter the same status as that immediately after reset. If external devices connected to the ports do not recognize the port status immediately after reset, the port pin must be connected to either to V_{DD} or EV_{DD} , or V_{SS} or EV_{SS} , via a resistor.

26.3.4 REGC pin

Connect the REGC pin to GND via a capacitor (0.47 to 1 μ F) in the same manner as during normal operation. Also, use a capacitor with good characteristics, since it is used to stabilize internal voltage.

26.3.5 X1 and X2 pins

Connect X1 and X2 in the same status as in the normal operation mode.

Remark In the flash memory programming mode, the high-speed on-chip oscillator clock (f_{IH}) is used.

26.3.6 Power supply

To use the supply voltage output of the flash memory programmer, connect the V_{DD} pin to V_{DD} of the flash memory programmer, and the V_{SS} pin to GND of the flash memory programmer.

To use the on-board supply voltage, connect in compliance with the normal operation mode.

However, when writing to the flash memory by using the flash memory programmer and using the on-board supply voltage, be sure to connect the V_{DD} and V_{SS} pins to V_{DD} and GND of the flash memory programmer to use the power monitor function with the flash memory programmer.

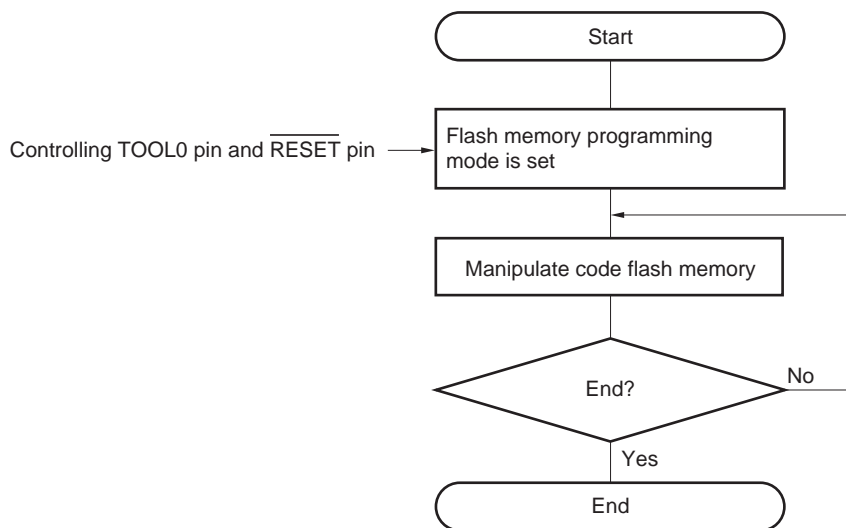
Supply the same other power supplies (EV_{DD} , EV_{SS}) as those V_{DD} and V_{SS} .

<R> 26.4 Serial Programming Method

26.4.1 Serial programming procedure

The following figure illustrates a flow for rewriting the code flash memory through serial programming.

Figure 26-6. Code Flash Memory Manipulation Procedure



26.4.2 Flash memory programming mode

To rewrite the contents of the code flash memory through serial programming, specify the flash memory programming mode. To enter the mode, set as follows.

<Serial programming using the dedicated flash memory programmer>

Connect the RL78 microcontroller to a dedicated flash memory programmer. Communication from the dedicated flash memory programmer is performed to automatically switch to the flash memory programming mode.

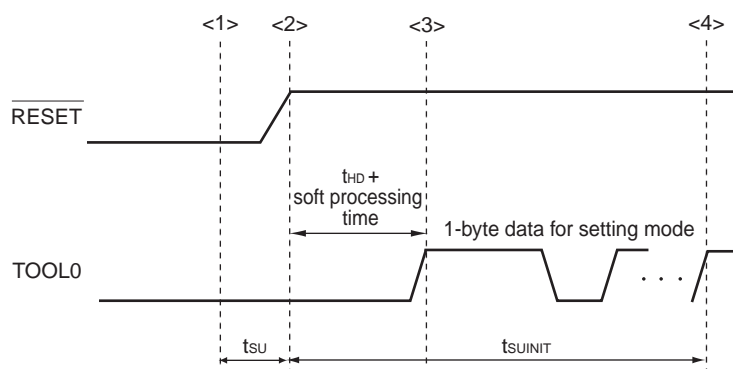
<Serial programming using an external device (UART communication)>

Set the TOOL0 pin to the low level, and then cancel the reset (see **Table 26-4**). After that, enter flash memory programming mode according to the procedures <1> to <4> shown in **Figure 26-7**. For details, refer to the **RL78 Microcontrollers (RL78 Protocol A) Programmer Edition Application Note (R01AN0815)**.

Table 26-4. Relationship between TOOL0 Pin and Operation Mode after Reset Release

TOOL0	Operation Mode
EV _{DD}	Normal operation mode
0 V	Flash memory programming mode

Figure 26-7. Setting of Flash Memory Programming Mode



- <1> The low level is input to the TOOL0 pin.
- <2> The external reset ends (POR and LVD reset must end before the external reset ends.).
- <3> The TOOL0 pin is set to the high level.
- <4> Baud rate setting by UART reception is completed.

Remark t_{SUINIT}: The segment shows that it is necessary to finish specifying the initial communication settings within 100 ms from when the resets end.

t_{SU}: How long from when the TOOL0 pin is placed at the low level until an external reset ends

t_{HD}: How long to keep the TOOL0 pin at the low level from when the external and internal resets end (the flash firmware processing time is excluded)

For details, see **30.11** or **31.11 Timing Specifications for Switching Flash Memory Programming Modes**.

There are two flash memory programming modes: wide voltage mode and full speed mode. The supply voltage value applied to the microcontroller during write operations and the setting information of the user option byte for setting of the flash memory programming mode determine which mode is selected.

When a dedicated flash memory programmer is used for serial programming, setting the voltage on GUI selects the mode automatically.

Table 26-5. Programming Modes and Voltages at Which Data Can Be Written, Erased, or Verified

Power Supply Voltage (V_{DD})	User Option Byte Setting for Switching to Flash Memory Programming Mode		Flash Programming Mode
	Flash Operation Mode	Operating Frequency	
$2.7\text{ V} \leq V_{DD} \leq 5.5\text{ V}$	Blank state		Full speed mode
	HS (high speed main) mode	1 MHz to 32 MHz	Full speed mode
	LS (low speed main) mode	1 MHz to 8 MHz	Wide voltage mode
	LV (low voltage main) mode	1 MHz to 4 MHz	Wide voltage mode
$2.4\text{ V} \leq V_{DD} < 2.7\text{ V}$	Blank state		Full speed mode
	HS (high speed main) mode	1 MHz to 16 MHz	Full speed mode
	LS (low speed main) mode	1 MHz to 8 MHz	Wide voltage mode
	LV (low voltage main) mode	1 MHz to 4 MHz	Wide voltage mode
$1.8\text{ V} \leq V_{DD} < 2.4\text{ V}$	Blank state		Wide voltage mode
	LS (low speed main) mode	1 MHz to 8 MHz	Wide voltage mode
	LV (low voltage main) mode	1 MHz to 4 MHz	Wide voltage mode

- Remarks**
- Using both the wide voltage mode and full speed mode imposes no restrictions on writing, erasing, or verification.
 - For details about communication commands, see **26.4.4 Communication commands**.

26.4.3 Selecting communication mode

Communication modes of the RL78 microcontroller are as follows.

Table 26-6. Communication Modes

Communication Mode	Standard Setting ^{Note 1}				Pins Used
	Port	Speed ^{Note 2}	Frequency	Multiply Rate	
1-line UART (when flash memory programmer is used, or when external device is used)	UART	115200 bps, 250000 bps, 500000 bps, 1 Mbps	–	–	TOOL0
Dedicated UART (when external device is used)	UART	115200 bps, 250000 bps, 500000 bps, 1 Mbps	–	–	TOOLTxD, TOOLRxD

- Notes**
1. Selection items for Standard settings on GUI of the flash memory programmer.
 2. Because factors other than the baud rate error, such as the signal waveform slew, also affect UART communication, thoroughly evaluate the slew as well as the baud rate error.

26.4.4 Communication commands

The RL78 microcontroller executes serial programming through the commands listed in **Table 26-7**.

The signals sent from the dedicated flash memory programmer or external device to the RL78 microcontroller are called commands, and programming functions corresponding to the commands are executed. For details, refer to the **RL78 Microcontrollers (RL78 Protocol A) Programmer Edition Application Note (R01AN0815)**.

Table 26-7. Flash Memory Control Commands

Classification	Command Name	Function
Verify	Verify	Compares the contents of a specified area of the flash memory with data transmitted from the programmer.
Erase	Block Erase	Erases a specified area in the flash memory.
Blank check	Block Blank Check	Checks if a specified block in the flash memory has been correctly erased.
Write	Programming	Writes data to a specified area in the flash memory.
Getting information	Silicon Signature	Gets the RL78 microcontroller information (such as the part number, flash memory configuration, and programming firmware version).
	Checksum	Gets the checksum data for a specified area.
Security	Security Set	Sets security information.
	Security Get	Gets security information.
	Security Release	Release setting of prohibition of writing.
Others	Reset	Used to detect synchronization status of communication.
	Baud Rate Set	Sets baud rate when UART communication mode is selected.

Note Confirm that no data has been written to the write area. Because data cannot be erased after block erase is prohibited, do not write data if the data has not been erased.

Product information (such as product name and firmware version) can be obtained by executing the “Silicon Signature” command.

Table 26-8 is a list of signature data and **Table 26-9** shows an example of signature data.

Table 26-8. Signature Data List

Field name	Description	Number of transmit data
Device code	The serial number assigned to the device	3 bytes
Device name	Device name (ASCII code)	10 bytes
Code flash memory area last address	Last address of code flash memory area (Sent from lower address. Example: 00000H to 0FFFFH (64 KB) → FFH, FFH, 00H)	3 bytes
Data flash memory area last address	Last address of data flash memory area (Sent from lower address. Example: F1000H to F1FFFH (4 KB) → FFH, 1FH, 0FH)	3 bytes
Firmware version	Version information of firmware for programming (Sent from upper address. Example: From Ver. 1.23 → 01H, 02H, 03H)	3 bytes

Table 26-9. Example of Signature Data

Field name	Description	Number of transmit data	Data (hexadecimal)
Device code	RL78 protocol A	3 bytes	10 00 06
Device name	R5F10RLC	10 bytes	52 = “R” 35 = “5” 46 = “F” 31 = “1” 30 = “0” 52 = “R” 4C = “L” 43 = “C” 20 = “ ” 20 = “ ”
Code flash memory area last address	Code flash memory area 00000H to 0FFFFH (64 KB)	3 bytes	FF FF 00
Data flash memory area last address	Data flash memory area F1000H to F1FFFH (4 KB)	3 bytes	FF 1F 0F
Firmware version	Ver.1.23	3 bytes	01 02 03

<R> **26.5 Processing Time for Each Command When PG-FP5 Is in Use (Reference Value)**

The following shows the processing time for each command (reference value) when PG-FP5 is used as a dedicated flash memory programmer.

Table 26-10. Processing Time for Each Command When PG-FP5 Is in Use (Reference Value)

PG-FP5 Command	Code Flash		
	8 Kbytes	16 Kbytes	32 Kbytes
Erasing	1 s	1.5 s	1.5 s
Writing	1.5 s	1.5 s	2 s
Verification	1.5 s	1.5 s	1.5 s
Writing after erasing	1.5 s	2 s	2.5 s

Remark The command processing times (reference values) shown in the table are typical values under the following conditions.

Port: TOOL0 (single-line UART)

Speed: 1,000,000 bps

Mode: Full speed mode (flash operation mode: HS (high speed main) mode)

<R> 26.6 Self-Programming

The RL78 microcontroller supports a self-programming function that can be used to rewrite the code flash memory via a user program. Because this function allows a user application to rewrite the code flash memory by using the flash self-programming library, it can be used to upgrade the program in the field.

- Cautions**
1. The self-programming function cannot be used when the CPU operates with the subsystem clock.
 2. To prohibit an interrupt during self-programming, in the same way as in the normal operation mode, execute the flash self-programming library in the state where the IE flag is cleared (0) by the DI instruction. To enable an interrupt, clear (0) the interrupt mask flag to accept in the state where the IE flag is set (1) by the EI instruction, and then execute the flash self-programming library.
 3. The high-speed on-chip oscillator should be kept operating during self-programming. If it is kept stopping, the high-speed on-chip oscillator clock should be operated (HIOSTOP = 0). The flash self-programming library should be executed after 30 μ s have elapsed.

- Remarks**
1. For details of the self-programming function, refer to **RL78 Microcontroller Flash Self Programming Library Type01 User's Manual (R01AN0350)**.
 2. For details of the time required to execute self-programming, see the notes on use that accompany the flash self-programming library tool.

The self-programming function has two flash memory programming modes; wide voltage mode and full speed mode.

Specify the mode that corresponds to the flash operation mode specified in bits CMODE1 and CMODE0 in option byte 000C2H.

Specify the full speed mode when the HS (high speed main) mode is specified. Specify the wide voltage mode when the LS (low speed main) mode or LV (low voltage main) mode is specified.

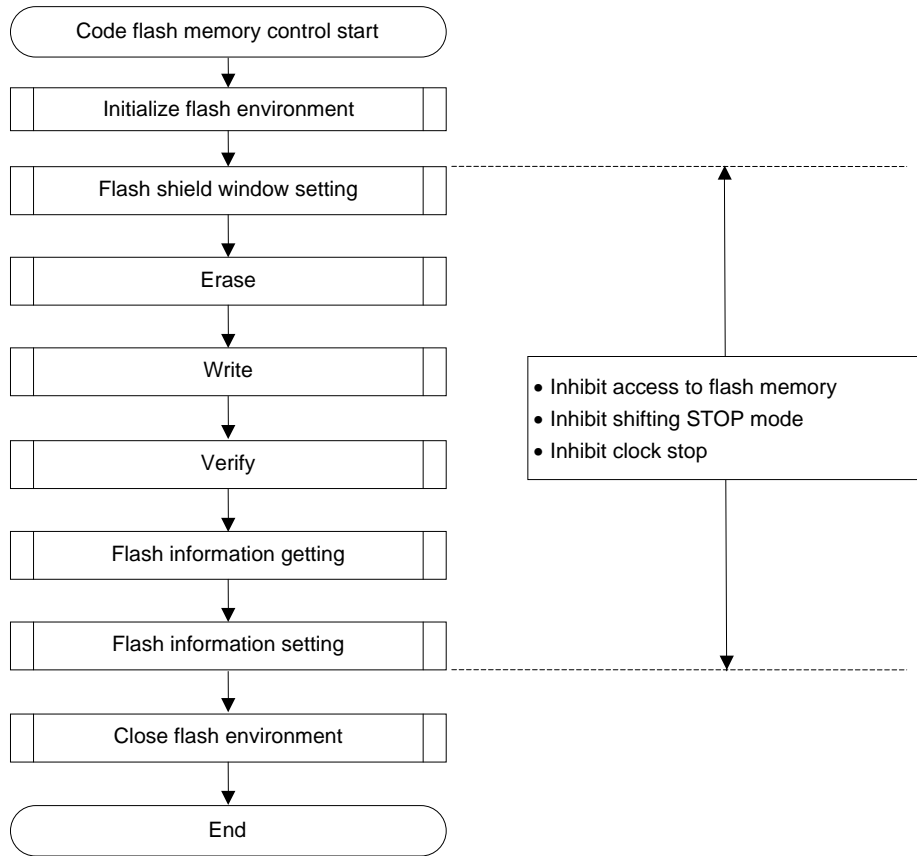
If the argument `fsl_flash_voltage_u08` is 00H when the `FSL_Init` function of the flash self-programming library provided by Renesas Electronics is executed, full speed mode is specified. If the argument is other than 00H, the wide voltage mode is specified.

- Remark** Using both the wide voltage mode and full speed mode imposes no restrictions on writing, erasing, or verification.

26.6.1 Self-programming procedure

The following figure illustrates a flow for rewriting the code flash memory by using a flash self-programming library.

Figure 26-8. Flow of Self Programming (Rewriting Flash Memory)



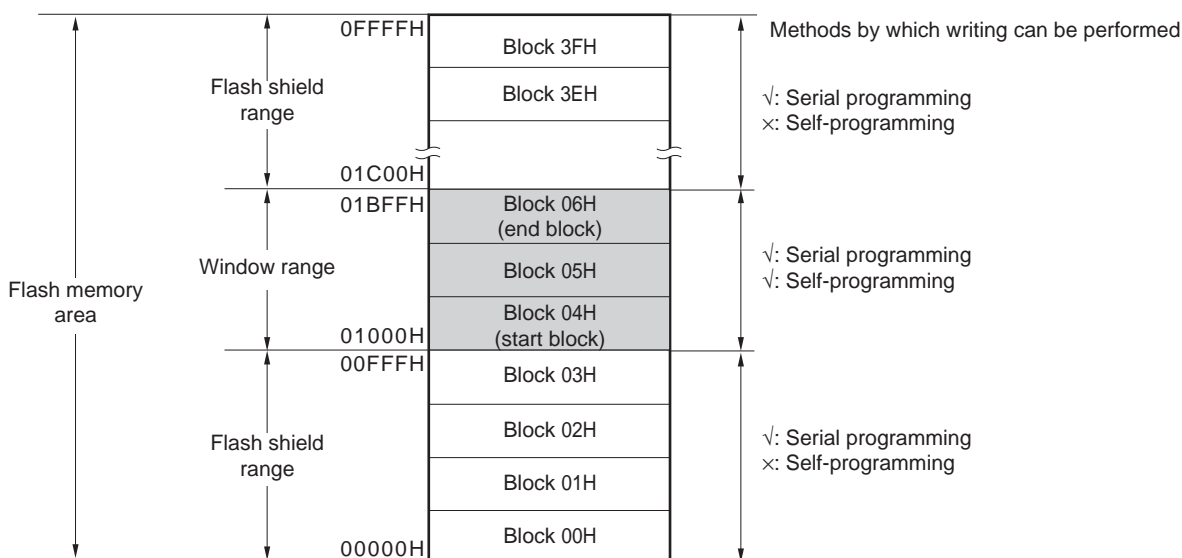
26.6.2 Flash shield window function

The flash shield window function is provided as one of the security functions for self-programming. It disables writing to and erasing areas outside the range specified as a window only during self-programming.

The window range can be set by specifying the start and end blocks. The window range can be set or changed during both serial programming and self-programming.

Writing to and erasing areas outside the window range are disabled during self-programming. During serial programming, however, areas outside the range specified as a window can be written and erased.

Figure 26-9. Flash Shield Window Setting Example
(Target Devices: R5F100LE, Start Block: 04H, End Block: 06H)



- Cautions**
1. If the rewrite-prohibited area of the boot cluster 0 overlaps with the flash shield window range, prohibition to rewrite the boot cluster 0 takes priority.
 2. The flash shield window can only be used for the code flash memory (and is not supported for the data flash memory).

Table 26-11. Relationship between Flash Shield Window Function Setting/Change Methods and Commands

Programming conditions	Window Range Setting/Change Methods	Execution Commands	
		Block erase	Write
Self-programming	Specify the starting and ending blocks by the flash self-programming library.	Block erasing is enabled only within the window range.	Writing is enabled only within the range of window range.
Serial programming	Specify the starting and ending blocks on GUI of dedicated flash memory programmer, etc.	Block erasing is enabled also outside the window range.	Writing is enabled also outside the window range.

Remark See 26.7 Security Settings to prohibit writing/erasing during serial programming.

<R> 26.7 Security Settings

The RL78 microcontroller supports a security function that prohibits rewriting the user program written to the internal flash memory, so that the program cannot be changed by an unauthorized person.

The operations shown below can be performed using the Security Set command.

- **Disabling block erase**
Execution of the block erase command for a specific block in the flash memory is prohibited during serial programming. However, blocks can be erased by means of self-programming.
- **Disabling write**
Execution of the write command for entire blocks in the code flash memory is prohibited during serial programming. However, blocks can be written by means of self-programming.
After the setting of prohibition of writing is specified, releasing the setting by the Security Release command is enabled by a reset.
- **Disabling rewriting boot cluster 0**
Execution of the block erase command and write command on boot cluster 0 (00000H to 00FFFH) in the code flash memory is prohibited by this setting.

The block erase, write commands and rewriting boot cluster 0 are enabled by the default setting when the flash memory is shipped. Security can be set by serial programming and self-programming. Each security setting can be used in combination.

Table 26-12 shows the relationship between the erase and write commands when the RL78 microcontroller security function is enabled.

Caution The security function of the dedicated flash programmer does not support self-programming.

Remark To prohibit writing and erasing during self-programming, use the flash shield window function (see **26.6.2** for detail).

Table 26-12. Relationship between Enabling Security Function and Command

(1) During serial programming

Valid Security	Executed Command	
	Block Erase	Write
Prohibition of block erase	Blocks cannot be erased.	Can be performed. ^{Note}
Prohibition of writing	Blocks can be erased.	Cannot be performed.
Prohibition of rewriting boot cluster 0	Boot cluster 0 cannot be erased.	Boot cluster 0 cannot be written.

Note Confirm that no data has been written to the write area. Because data cannot be erased after block erase is prohibited, do not write data if the data has not been erased.

(2) During self-programming

Valid Security	Executed Command	
	Block Erase	Write
Prohibition of block erase	Blocks can be erased.	Can be performed.
Prohibition of writing		
Prohibition of rewriting boot cluster 0	Boot cluster 0 cannot be erased.	Boot cluster 0 cannot be written.

Remark To prohibit writing and erasing during self-programming, use the flash shield window function (see 26.6.2 for detail).

Table 26-13. Setting Security in Each Programming Mode

(1) During serial programming

Security	Security Setting	How to Disable Security Setting
Prohibition of block erase	Set via GUI of dedicated flash memory programmer, etc.	Cannot be disabled after set.
Prohibition of writing		Set via GUI of dedicated flash memory programmer, etc.
Prohibition of rewriting boot cluster 0		Cannot be disabled after set.

Caution Releasing the setting of prohibition of writing is enabled only when the security is not set as the block erase prohibition and the boot cluster 0 rewrite prohibition with code flash memory area and data flash memory area being blanks.

(2) During self-programming

Security	Security Setting	How to Disable Security Setting
Prohibition of block erase	Set by using flash self-programming library.	Cannot be disabled after set.
Prohibition of writing		Cannot be disabled during self-programming (set via GUI of dedicated flash memory programmer, etc. during serial programming).
Prohibition of rewriting boot cluster 0		Cannot be disabled after set.

26.8 Data Flash

<R> 26.8.1 Data flash overview

An overview of the data flash memory is provided below.

- The user program can rewrite the data flash memory by using the flash data library. For details, refer to **RL78 Family Flash Data Library User’s Manual**.
- The data flash memory can also be rewritten to through serial programming using the dedicated flash memory programmer or an external device.
- The data flash can be erased in 1-block (1-Kbyte) units.
- The data flash can be accessed only in 8-bit units.
- The data flash can be directly read by CPU instructions.
- Instructions can be executed from the code flash memory while rewriting the data flash memory (that is, background operation (BGO) is supported).
- Because the data flash memory is an area exclusively used for data, it cannot be used to execute instructions.
- Accessing the data flash memory is not possible while rewriting the code flash memory (during self-programming).
- Manipulating the DFLCTL register is not possible while rewriting the data flash memory.
- Transition to the STOP mode is not possible while rewriting the data flash memory.

- Cautions**
1. The data flash memory is stopped after a reset is canceled. The data flash control register (DFLCTL) must be set up in order to use the data flash memory.
 2. The high-speed on-chip oscillator should be kept operating during data flash rewrite. If it is kept stopping, the high-speed on-chip oscillator clock should be operated (HIOSTOP = 0). The flash data library should be executed after 30 μs have elapsed.

Remark For rewriting the code flash memory via a user program, see **26.6 Self-Programming**.

<R> 26.8.2 Register controlling data flash memory

26.8.2.1 Data flash control register (DFLCTL)

This register is used to enable or disable accessing to the data flash.

The DFLCTL register is set by a 1-bit or 8-bit memory manipulation instruction.

Reset input sets this register to 00H.

Figure 26-10. Format of Data Flash Control Register (DFLCTL)

Address: F0090H After reset: 00H R/W

Symbol	7	6	5	4	3	2	1	<0>
DFLCTL	0	0	0	0	0	0	0	DFLEN

DFLEN	Data flash access control
0	Disables data flash access
1	Enables data flash access

Caution Manipulating the DFLCTL register is not possible while rewriting the data flash memory.

<R> 26.8.3 Procedure for accessing data flash memory

The data flash memory is stopped after a reset ends. To access the data flash, make initial settings according to the following procedure.

- <1> Set bit 0 (DFLEN) of the data flash control register (DFLCTL) to 1.
- <2> Wait for the setup to finish for software timer, etc.
The time setup takes differs for each flash operation mode for the main clock.
<Setup time for each flash operation mode>
 - HS (High speed main): 5 μ s
 - LS (Low speed main): 720 ns
 - LV (Low voltage main): 10 μ s
- <3> After the wait, the data flash memory can be accessed.

- Cautions**
1. Accessing the data flash memory is not possible during the setup time.
 2. Transition to the STOP mode is not possible during the setup time. To enter the STOP mode during the setup time, clear DFLEN to 0 and then execute the STOP instruction.
 3. The high-speed on-chip oscillator should be kept operating during data flash rewrite. If it is kept stopping, the high-speed on-chip oscillator clock should be operated (HIOSTOP = 0). The flash data library should be executed after 30 μ s have elapsed.

After initial setting, the data flash can be read through CPU instructions and can be read or rewritten to by using the data flash library.

Follow one of the procedures below when the DMA controller operates during access to the data flash memory.

- (A) Hold DMA transfer pending or forcibly terminate it

Before reading the data flash memory, hold the DMA transfer pending in all the channels which are in use. The data flash memory should be read 3 clocks (f_{CLK}) or more after the DWAITn bit is set to 1. After reading the data flash memory, set the DWAITn bit to 0 and then cancel the pending status.

Or, before reading the data flash memory, forcibly terminate the DMA transfer in accordance with the process described in **16.5.5 Forced termination by software**. Resume the DMA transfer after reading the data flash memory.

- (B) Access the data flash memory by using the library

Access the data flash memory by using the latest data flash library.

- (C) Insert the NOP instruction

Insert the NOP instruction immediately before the data flash read instruction.

<Example>

```
MOVW HL, !addr16 ; Read RAM
NOP                ; Insert the NOP instruction before reading the data flash memory
MOV A,[DE]        ; Read the data flash memory
```

If high-level language like C language is used, the compiler may generate two instructions per code. At that time, the NOP instruction is not inserted immediately before the data flash read instruction. Read the data flash memory by following procedure (A) or (B).

- Remarks**
1. n: DMA channel number (n = 0, 1)
 2. f_{CLK} : CPU/peripheral hardware clock frequency

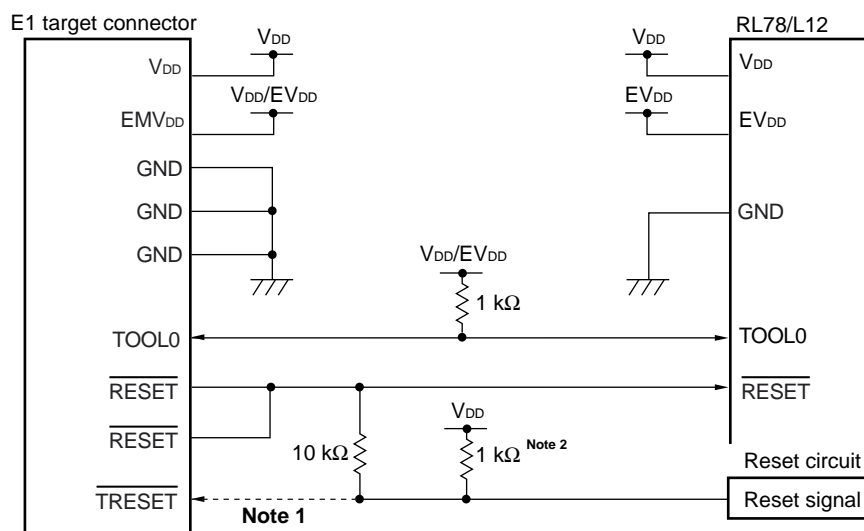
CHAPTER 27 ON-CHIP DEBUG FUNCTION

27.1 Connecting E1 On-chip Debugging Emulator

The RL78 microcontroller uses the V_{DD} , $\overline{\text{RESET}}$, TOOL0, and V_{SS} pins to communicate with the host machine via an E1 on-chip debugging emulator. Serial communication is performed by using a single-line UART that uses the TOOL0 pin.

Caution The RL78 microcontroller has an on-chip debug function, which is provided for development and evaluation. Do not use the on-chip debug function in products designated for mass production, because the guaranteed number of rewritable times of the flash memory may be exceeded when this function is used, and product reliability therefore cannot be guaranteed. Renesas Electronics is not liable for problems occurring when the on-chip debug function is used.

Figure 27-1. Connection Example of E1 On-chip Debugging Emulator



Notes 1. Connecting the dotted line is not necessary during flash programming.

2. If the reset circuit on the target system does not have a buffer and generates a reset signal only with resistors and capacitors, this pull-up resistor is not necessary.

Caution This circuit diagram is assumed that the reset signal outputs from an N-ch O.D. buffer (output resistor: 100 Ω or less)

27.2 On-Chip Debug Security ID

The RL78 microcontroller has an on-chip debug operation control bit in the flash memory at 000C3H (see **CHAPTER 25 OPTION BYTE**) and an on-chip debug security ID setting area at 000C4H to 000CDH, to prevent third parties from reading memory content.

Table 27-1. On-Chip Debug Security ID

Address	On-Chip Debug Security ID
000C4H to 000CDH	Any ID code of 10 bytes

27.3 Securing of User Resources

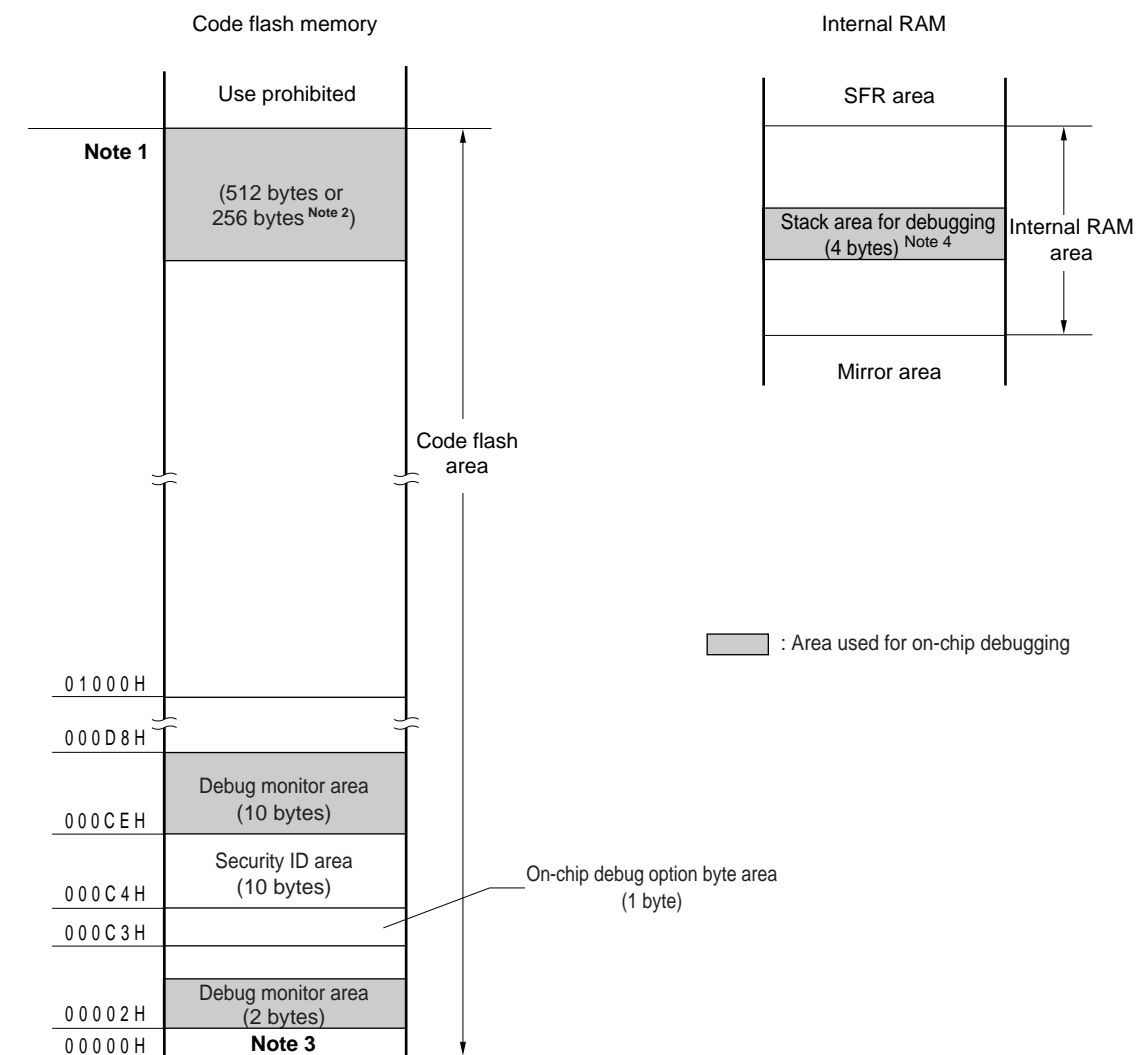
To perform communication between the RL78 microcontroller and E1 on-chip debugging emulator, as well as each debug function, the securing of memory space must be done beforehand.

If Renesas Electronics assembler or compiler is used, the items can be set by using linker options.

(1) Securement of memory space

The shaded portions in Figure 27-2 are the areas reserved for placing the debug monitor program, so user programs or data cannot be allocated in these spaces. When using the on-chip debug function, these spaces must be secured so as not to be used by the user program. Moreover, this area must not be rewritten by the user program.

Figure 27-2. Memory Spaces Where Debug Monitor Programs Are Allocated



Notes 1. Address differs depending on products as follows.

Products (code flash memory capacity)	Address of Note 1
R5F10Rx8 (x = B, F, G, J)	01FFFH
R5F10RxA (x = B, F, G, J, L)	03FFFH
R5F10RxC (x = B, F, G, J, L)	07FFFH

- When real-time RAM monitor (RRM) function and dynamic memory modification (DMM) function are not used, it is 256 bytes.
- In debugging, reset vector is rewritten to address allocated to a monitor program.
- Since this area is allocated immediately before the stack area, the address of this area varies depending on the stack increase and decrease. That is, 4 extra bytes are consumed for the stack area used. When using self-programming, 12 extra bytes are consumed for the stack area used.

CHAPTER 28 BCD CORRECTION CIRCUIT

28.1 BCD Correction Circuit Function

The result of addition/subtraction of the BCD (binary-coded decimal) code and BCD code can be obtained as BCD code with this circuit.

The decimal correction operation result is obtained by performing addition/subtraction having the A register as the operand and then adding/ subtracting the BCD correction result register (BCDADJ).

28.2 Registers Used by BCD Correction Circuit

The BCD correction circuit uses the following registers.

- BCD correction result register (BCDADJ)

28.2.1 BCD correction result register (BCDADJ)

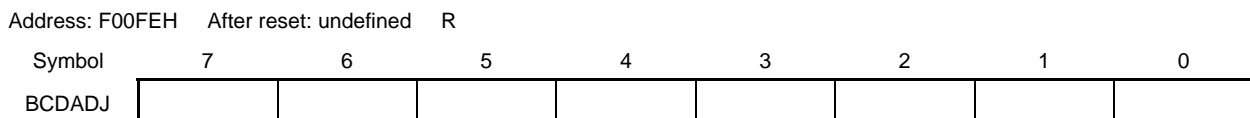
The BCDADJ register stores correction values for obtaining the add/subtract result as BCD code through add/subtract instructions using the A register as the operand.

The value read from the BCDADJ register varies depending on the value of the A register when it is read and those of the CY and AC flags.

The BCDADJ register is read by an 8-bit memory manipulation instruction.

Reset input sets this register to undefined.

Figure 28-1. Format of BCD Correction Result Register (BCDADJ)



28.3 BCD Correction Circuit Operation

The basic operation of the BCD correction circuit is as follows.

(1) Addition: Calculating the result of adding a BCD code value and another BCD code value by using a BCD code value

- <1> The BCD code value to which addition is performed is stored in the A register.
- <2> By adding the value of the A register and the second operand (value of one more BCD code to be added) as are in binary, the binary operation result is stored in the A register and the correction value is stored in the BCD correction result register (BCDADJ).
- <3> Decimal correction is performed by adding in binary the value of the A register (addition result in binary) and the BCDADJ register (correction value), and the correction result is stored in the A register and CY flag.

Caution The value read from the BCDADJ register varies depending on the value of the A register when it is read and those of the CY and AC flags. Therefore, execute the instruction <3> after the instruction <2> instead of executing any other instructions. To perform BCD correction in the interrupt enabled state, saving and restoring the A register is required within the interrupt function. PSW (CY flag and AC flag) is restored by the RETI instruction.

An example is shown below.

Examples 1: $99 + 89 = 188$

Instruction	A Register	CY Flag	AC Flag	BCDADJ Register
MOV A, #99H ; <1>	99H	–	–	–
ADD A, #89H ; <2>	22H	1	1	66H
ADD A, !BCDADJ ; <3>	88H	1	0	–

Examples 2: $85 + 15 = 100$

Instruction	A Register	CY Flag	AC Flag	BCDADJ Register
MOV A, #85H ; <1>	85H	–	–	–
ADD A, #15H ; <2>	9AH	0	0	66H
ADD A, !BCDADJ ; <3>	00H	1	1	–

Examples 3: $80 + 80 = 160$

Instruction	A Register	CY Flag	AC Flag	BCDADJ Register
MOV A, #80H ; <1>	80H	–	–	–
ADD A, #80H ; <2>	00H	1	0	60H
ADD A, !BCDADJ ; <3>	60H	1	0	–

(2) Subtraction: Calculating the result of subtracting a BCD code value from another BCD code value by using a BCD code value

- <1> The BCD code value from which subtraction is performed is stored in the A register.
- <2> By subtracting the value of the second operand (value of BCD code to be subtracted) from the A register as is in binary, the calculation result in binary is stored in the A register, and the correction value is stored in the BCD correction result register (BCDADJ).
- <3> Decimal correction is performed by subtracting the value of the BCDADJ register (correction value) from the A register (subtraction result in binary) in binary, and the correction result is stored in the A register and CY flag.

Caution The value read from the BCDADJ register varies depending on the value of the A register when it is read and those of the CY and AC flags. Therefore, execute the instruction <3> after the instruction <2> instead of executing any other instructions. To perform BCD correction in the interrupt enabled state, saving and restoring the A register is required within the interrupt function. PSW (CY flag and AC flag) is restored by the RETI instruction.

An example is shown below.

Example: $91 - 52 = 39$

Instruction	A Register	CY Flag	AC Flag	BCDADJ Register
MOV A, #91H ; <1>	91H	–	–	–
SUB A, #52H ; <2>	3FH	0	1	06H
SUB A, !BCDADJ ; <3>	39H	0	0	–

CHAPTER 29 INSTRUCTION SET

This chapter lists the instructions in the RL78 microcontroller instruction set. For details of each operation and operation code, refer to the separate document **RL78 Family User's Manual: software (R01US0015)**.

29.1 Conventions Used in Operation List

29.1.1 Operand identifiers and specification methods

Operands are described in the “Operand” column of each instruction in accordance with the description method of the instruction operand identifier (refer to the assembler specifications for details). When there are two or more description methods, select one of them. Alphabetic letters in capitals and the symbols, #, !, !!, \$, \$!, [], and ES: are keywords and are described as they are. Each symbol has the following meaning.

- #: Immediate data specification
- !: 16-bit absolute address specification
- !!: 20-bit absolute address specification
- \$: 8-bit relative address specification
- \$!: 16-bit relative address specification
- []: Indirect address specification
- ES:: Extension address specification

In the case of immediate data, describe an appropriate numeric value or a label. When using a label, be sure to describe the #, !, !!, \$, \$!, [], and ES: symbols.

For operand register identifiers, r and rp, either function names (X, A, C, etc.) or absolute names (names in parentheses in the table below, R0, R1, R2, etc.) can be used for description.

Table 29-1. Operand Identifiers and Specification Methods

Identifier	Description Method
r	X (R0), A (R1), C (R2), B (R3), E (R4), D (R5), L (R6), H (R7)
rp	AX (RP0), BC (RP1), DE (RP2), HL (RP3)
sfr	Special-function register symbol (SFR symbol) FFF00H to FFFFFH
sfrp	Special-function register symbols (16-bit manipulatable SFR symbol. Even addresses only ^{Note}) FFF00H to FFFFFH
saddr	FFE20H to FFF1FH Immediate data or labels
saddrp	FFE20H to FF1FH Immediate data or labels (even addresses only ^{Note})
addr20	00000H to FFFFFH Immediate data or labels
addr16	0000H to FFFFH Immediate data or labels (only even addresses for 16-bit data transfer instructions ^{Note})
addr5	0080H to 00BFH Immediate data or labels (even addresses only)
word	16-bit immediate data or label
byte	8-bit immediate data or label
bit	3-bit immediate data or label
RBn	RB0 to RB3

Note Bit 0 = 0 when an odd address is specified.

Remark The special function registers can be described to operand sfr as symbols. See **Table 3-5 SFR List** for the symbols of the special function registers. The extended special function registers can be described to operand laddr16 as symbols. See **Table 3-6 Extended SFR (2nd SFR) List** for the symbols of the extended special function registers.

29.1.2 Description of operation column

The operation when the instruction is executed is shown in the “Operation” column using the following symbols.

Table 29-2. Symbols in “Operation” Column

Symbol	Function
A	A register; 8-bit accumulator
X	X register
B	B register
C	C register
D	D register
E	E register
H	H register
L	L register
ES	ES register
CS	CS register
AX	AX register pair; 16-bit accumulator
BC	BC register pair
DE	DE register pair
HL	HL register pair
PC	Program counter
SP	Stack pointer
PSW	Program status word
CY	Carry flag
AC	Auxiliary carry flag
Z	Zero flag
RBS	Register bank select flag
IE	Interrupt request enable flag
()	Memory contents indicated by address or register contents in parentheses
X _H , X _L	16-bit registers: X _H = higher 8 bits, X _L = lower 8 bits
X _S , X _H , X _L	20-bit registers: X _S = (bits 19 to 16), X _H = (bits 15 to 8), X _L = (bits 7 to 0)
∧	Logical product (AND)
∨	Logical sum (OR)
⊕	Exclusive logical sum (exclusive OR)
–	Inverted data
addr5	16-bit immediate data (even addresses only in 0080H to 00BFH)
addr16	16-bit immediate data
addr20	20-bit immediate data
jdisp8	Signed 8-bit data (displacement value)
jdisp16	Signed 16-bit data (displacement value)

29.1.3 Description of flag operation column

The change of the flag value when the instruction is executed is shown in the “Flag” column using the following symbols.

Table 29-3. Symbols in “Flag” Column

Symbol	Change of Flag Value
(Blank)	Unchanged
0	Cleared to 0
1	Set to 1
×	Set/cleared according to the result
R	Previously saved value is restored

29.1.4 PREFIX instruction

Instructions with “ES:” have a PREFIX operation code as a prefix to extend the accessible data area to the 1 MB space (00000H to FFFFFH), by adding the ES register value to the 64 KB space from F0000H to FFFFFH. When a PREFIX operation code is attached as a prefix to the target instruction, only one instruction immediately after the PREFIX operation code is executed as the addresses with the ES register value added.

A interrupt and DMA transfer are not acknowledged between a PREFIX instruction code and the instruction immediately after.

Table 29-4. Use Example of PREFIX Operation Code

Instruction	Opcode				
	1	2	3	4	5
MOV !addr16, #byte	CFH	!addr16		#byte	–
MOV ES:!addr16, #byte	11H	CFH	!addr16		#byte
MOV A, [HL]	8BH	–	–	–	–
MOV A, ES:[HL]	11H	8BH	–	–	–

Caution Set the ES register value with MOV ES, A, etc., before executing the PREFIX instruction.

29.2 Operation List

Table 29-5. Operation List (1/17)

Instruction Group	Mnemonic	Operands	Bytes	Clocks		Clocks	Flag		
				Note 1	Note 2		Z	AC	CY
8-bit data transfer	MOV	r, #byte	2	1	-	r ← byte			
		PSW, #byte	3	3	-	PSW ← byte	x	x	x
		CS, #byte	3	1	-	CS ← byte			
		ES, #byte	2	1	-	ES ← byte			
		!addr16, #byte	4	1	-	(addr16) ← byte			
		ES:!addr16, #byte	5	2	-	(ES, addr16) ← byte			
		saddr, #byte	3	1	-	(saddr) ← byte			
		sfr, #byte	3	1	-	sfr ← byte			
		[DE+byte], #byte	3	1	-	(DE+byte) ← byte			
		ES:[DE+byte],#byte	4	2	-	((ES, DE)+byte) ← byte			
		[HL+byte], #byte	3	1	-	(HL+byte) ← byte			
		ES:[HL+byte],#byte	4	2	-	((ES, HL)+byte) ← byte			
		[SP+byte], #byte	3	1	-	(SP+byte) ← byte			
		word[B], #byte	4	1	-	(B+word) ← byte			
		ES:word[B], #byte	5	2	-	((ES, B)+word) ← byte			
		word[C], #byte	4	1	-	(C+word) ← byte			
		ES:word[C], #byte	5	2	-	((ES, C)+word) ← byte			
		word[BC], #byte	4	1	-	(BC+word) ← byte			
		ES:word[BC], #byte	5	2	-	((ES, BC)+word) ← byte			
		A, r <small>Note 3</small>	1	1	-	A ← r			
		r, A <small>Note 3</small>	1	1	-	r ← A			
		A, PSW	2	1	-	A ← PSW			
		PSW, A	2	3	-	PSW ← A	x	x	x
		A, CS	2	1	-	A ← CS			
		CS, A	2	1	-	CS ← A			
		A, ES	2	1	-	A ← ES			
		ES, A	2	1	-	ES ← A			
		A, !addr16	3	1	4	A ← (addr16)			
		A, ES:!addr16	4	2	5	A ← (ES, addr16)			
		!addr16, A	3	1	-	(addr16) ← A			
ES:!addr16, A	4	2	-	(ES, addr16) ← A					
A, saddr	2	1	-	A ← (saddr)					
saddr, A	2	1	-	(saddr) ← A					

- Notes 1.** Number of CPU clocks (f_{CLK}) when the internal RAM area, SFR area, or extended SFR area is accessed, or when no data is accessed.
- 2.** Number of CPU clocks (f_{CLK}) when the code flash memory is accessed, or when the data flash memory is accessed by an 8-bit instruction.
- 3.** Except r = A

Remark Number of clock is when program exists in the internal ROM (flash memory) area. If fetching the instruction from the internal RAM area, the number becomes double number plus 3 clocks at a maximum.

Table 29-5. Operation List (2/17)

Instruction Group	Mnemonic	Operands	Bytes	Clocks		Clocks	Flag		
				Note 1	Note 2		Z	AC	CY
8-bit data transfer	MOV	A, sfr	2	1	–	$A \leftarrow \text{sfr}$			
		sfr, A	2	1	–	$\text{sfr} \leftarrow A$			
		A, [DE]	1	1	4	$A \leftarrow (\text{DE})$			
		[DE], A	1	1	–	$(\text{DE}) \leftarrow A$			
		A, ES:[DE]	2	2	5	$A \leftarrow (\text{ES}, \text{DE})$			
		ES:[DE], A	2	2	–	$(\text{ES}, \text{DE}) \leftarrow A$			
		A, [HL]	1	1	4	$A \leftarrow (\text{HL})$			
		[HL], A	1	1	–	$(\text{HL}) \leftarrow A$			
		A, ES:[HL]	2	2	5	$A \leftarrow (\text{ES}, \text{HL})$			
		ES:[HL], A	2	2	–	$(\text{ES}, \text{HL}) \leftarrow A$			
		A, [DE+byte]	2	1	4	$A \leftarrow (\text{DE} + \text{byte})$			
		[DE+byte], A	2	1	–	$(\text{DE} + \text{byte}) \leftarrow A$			
		A, ES:[DE+byte]	3	2	5	$A \leftarrow ((\text{ES}, \text{DE}) + \text{byte})$			
		ES:[DE+byte], A	3	2	–	$((\text{ES}, \text{DE}) + \text{byte}) \leftarrow A$			
		A, [HL+byte]	2	1	4	$A \leftarrow (\text{HL} + \text{byte})$			
		[HL+byte], A	2	1	–	$(\text{HL} + \text{byte}) \leftarrow A$			
		A, ES:[HL+byte]	3	2	5	$A \leftarrow ((\text{ES}, \text{HL}) + \text{byte})$			
		ES:[HL+byte], A	3	2	–	$((\text{ES}, \text{HL}) + \text{byte}) \leftarrow A$			
		A, [SP+byte]	2	1	–	$A \leftarrow (\text{SP} + \text{byte})$			
		[SP+byte], A	2	1	–	$(\text{SP} + \text{byte}) \leftarrow A$			
		A, word[B]	3	1	4	$A \leftarrow (\text{B} + \text{word})$			
		word[B], A	3	1	–	$(\text{B} + \text{word}) \leftarrow A$			
		A, ES:word[B]	4	2	5	$A \leftarrow ((\text{ES}, \text{B}) + \text{word})$			
		ES:word[B], A	4	2	–	$((\text{ES}, \text{B}) + \text{word}) \leftarrow A$			
		A, word[C]	3	1	4	$A \leftarrow (\text{C} + \text{word})$			
		word[C], A	3	1	–	$(\text{C} + \text{word}) \leftarrow A$			
		A, ES:word[C]	4	2	5	$A \leftarrow ((\text{ES}, \text{C}) + \text{word})$			
		ES:word[C], A	4	2	–	$((\text{ES}, \text{C}) + \text{word}) \leftarrow A$			
		A, word[BC]	3	1	4	$A \leftarrow (\text{BC} + \text{word})$			
		word[BC], A	3	1	–	$(\text{BC} + \text{word}) \leftarrow A$			
		A, ES:word[BC]	4	2	5	$A \leftarrow ((\text{ES}, \text{BC}) + \text{word})$			
		ES:word[BC], A	4	2	–	$((\text{ES}, \text{BC}) + \text{word}) \leftarrow A$			

- Notes 1.** Number of CPU clocks (f_{CLK}) when the internal RAM area, SFR area, or extended SFR area is accessed, or when no data is accessed.
- 2.** Number of CPU clocks (f_{CLK}) when the code flash memory is accessed, or when the data flash memory is accessed by an 8-bit instruction.

Remark Number of clock is when program exists in the internal ROM (flash memory) area. If fetching the instruction from the internal RAM area, the number becomes double number plus 3 clocks at a maximum.

Table 29-5. Operation List (3/17)

Instruction Group	Mnemonic	Operands	Bytes	Clocks		Clocks	Flag		
				Note 1	Note 2		Z	AC	CY
8-bit data transfer	MOV	A, [HL+B]	2	1	4	$A \leftarrow (HL + B)$			
		[HL+B], A	2	1	–	$(HL + B) \leftarrow A$			
		A, ES:[HL+B]	3	2	5	$A \leftarrow ((ES, HL) + B)$			
		ES:[HL+B], A	3	2	–	$((ES, HL) + B) \leftarrow A$			
		A, [HL+C]	2	1	4	$A \leftarrow (HL + C)$			
		[HL+C], A	2	1	–	$(HL + C) \leftarrow A$			
		A, ES:[HL+C]	3	2	5	$A \leftarrow ((ES, HL) + C)$			
		ES:[HL+C], A	3	2	–	$((ES, HL) + C) \leftarrow A$			
		X, laddr16	3	1	4	$X \leftarrow (addr16)$			
		X, ES:laddr16	4	2	5	$X \leftarrow (ES, addr16)$			
		X, saddr	2	1	–	$X \leftarrow (saddr)$			
		B, laddr16	3	1	4	$B \leftarrow (addr16)$			
		B, ES:laddr16	4	2	5	$B \leftarrow (ES, addr16)$			
		B, saddr	2	1	–	$B \leftarrow (saddr)$			
		C, laddr16	3	1	4	$C \leftarrow (addr16)$			
		C, ES:laddr16	4	2	5	$C \leftarrow (ES, addr16)$			
	C, saddr	2	1	–	$C \leftarrow (saddr)$				
	ES, saddr	3	1	–	$ES \leftarrow (saddr)$				
	XCH	A, r ^{Note 3}	1 (r = X) 2 (other than r = X)	1	–	$A \leftrightarrow r$			
		A, laddr16	4	2	–	$A \leftrightarrow (addr16)$			
		A, ES:laddr16	5	3	–	$A \leftrightarrow (ES, addr16)$			
		A, saddr	3	2	–	$A \leftrightarrow (saddr)$			
		A, sfr	3	2	–	$A \leftrightarrow sfr$			
		A, [DE]	2	2	–	$A \leftrightarrow (DE)$			
		A, ES:[DE]	3	3	–	$A \leftrightarrow (ES, DE)$			
		A, [HL]	2	2	–	$A \leftrightarrow (HL)$			
		A, ES:[HL]	3	3	–	$A \leftrightarrow (ES, HL)$			
		A, [DE+byte]	3	2	–	$A \leftrightarrow (DE + \text{byte})$			
A, ES:[DE+byte]		4	3	–	$A \leftrightarrow ((ES, DE) + \text{byte})$				
A, [HL+byte]		3	2	–	$A \leftrightarrow (HL + \text{byte})$				
A, ES:[HL+byte]	4	3	–	$A \leftrightarrow ((ES, HL) + \text{byte})$					

- Notes 1.** Number of CPU clocks (f_{CLK}) when the internal RAM area, SFR area, or extended SFR area is accessed, or when no data is accessed.
- 2.** Number of CPU clocks (f_{CLK}) when the code flash memory is accessed, or when the data flash memory is accessed by an 8-bit instruction.
- 3.** Except r = A

Remark Number of clock is when program exists in the internal ROM (flash memory) area. If fetching the instruction from the internal RAM area, the number becomes double number plus 3 clocks at a maximum.

Table 29-5. Operation List (4/17)

Instruction Group	Mnemonic	Operands	Bytes	Clocks		Clocks	Flag			
				Note 1	Note 2		Z	AC	CY	
8-bit data transfer	XCH	A, [HL+B]	2	2	–	A ←→ (HL+B)				
		A, ES:[HL+B]	3	3	–	A ←→ ((ES, HL)+B)				
		A, [HL+C]	2	2	–	A ←→ (HL+C)				
		A, ES:[HL+C]	3	3	–	A ←→ ((ES, HL)+C)				
	ONEB	A	1	1	–	A ← 01H				
		X	1	1	–	X ← 01H				
		B	1	1	–	B ← 01H				
		C	1	1	–	C ← 01H				
		!addr16	3	1	–	(addr16) ← 01H				
		ES:!addr16	4	2	–	(ES, addr16) ← 01H				
		saddr	2	1	–	(saddr) ← 01H				
	CLRB	A	1	1	–	A ← 00H				
		X	1	1	–	X ← 00H				
		B	1	1	–	B ← 00H				
		C	1	1	–	C ← 00H				
		!addr16	3	1	–	(addr16) ← 00H				
		ES:!addr16	4	2	–	(ES, addr16) ← 00H				
		saddr	2	1	–	(saddr) ← 00H				
	MOVS	[HL+byte], X	3	1	–	(HL+byte) ← X	x		x	
		ES:[HL+byte], X	4	2	–	(ES, HL+byte) ← X	x		x	
	16-bit data transfer	MOVW	rp, #word	3	1	–	rp ← word			
			saddrp, #word	4	1	–	(saddrp) ← word			
sfrp, #word			4	1	–	sfrp ← word				
AX, rp ^{Note 3}			1	1	–	AX ← rp				
rp, AX ^{Note 3}			1	1	–	rp ← AX				
AX, !addr16			3	1	4	AX ← (addr16)				
!addr16, AX			3	1	–	(addr16) ← AX				
AX, ES:!addr16			4	2	5	AX ← (ES, addr16)				
ES:!addr16, AX			4	2	–	(ES, addr16) ← AX				
AX, saddrp			2	1	–	AX ← (saddrp)				
saddrp, AX			2	1	–	(saddrp) ← AX				
AX, sfrp			2	1	–	AX ← sfrp				
sfrp, AX	2	1	–	sfrp ← AX						

- Notes 1.** Number of CPU clocks (f_{CLK}) when the internal RAM area, SFR area, or extended SFR area is accessed, or when no data is accessed.
- 2.** Number of CPU clocks (f_{CLK}) when the code flash memory is accessed, or when the data flash memory is accessed by an 8-bit instruction.
- 3.** Except rp = AX

Remark Number of clock is when program exists in the internal ROM (flash memory) area. If fetching the instruction from the internal RAM area, the number becomes double number plus 3 clocks at a maximum.

Table 29-5. Operation List (5/17)

Instruction Group	Mnemonic	Operands	Bytes	Clocks		Clocks	Flag		
				Note 1	Note 2		Z	AC	CY
16-bit data transfer	MOVW	AX, [DE]	1	1	4	$AX \leftarrow (DE)$			
		[DE], AX	1	1	–	$(DE) \leftarrow AX$			
		AX, ES:[DE]	2	2	5	$AX \leftarrow (ES, DE)$			
		ES:[DE], AX	2	2	–	$(ES, DE) \leftarrow AX$			
		AX, [HL]	1	1	4	$AX \leftarrow (HL)$			
		[HL], AX	1	1	–	$(HL) \leftarrow AX$			
		AX, ES:[HL]	2	2	5	$AX \leftarrow (ES, HL)$			
		ES:[HL], AX	2	2	–	$(ES, HL) \leftarrow AX$			
		AX, [DE+byte]	2	1	4	$AX \leftarrow (DE+byte)$			
		[DE+byte], AX	2	1	–	$(DE+byte) \leftarrow AX$			
		AX, ES:[DE+byte]	3	2	5	$AX \leftarrow ((ES, DE) + byte)$			
		ES:[DE+byte], AX	3	2	–	$((ES, DE) + byte) \leftarrow AX$			
		AX, [HL+byte]	2	1	4	$AX \leftarrow (HL + byte)$			
		[HL+byte], AX	2	1	–	$(HL + byte) \leftarrow AX$			
		AX, ES:[HL+byte]	3	2	5	$AX \leftarrow ((ES, HL) + byte)$			
		ES:[HL+byte], AX	3	2	–	$((ES, HL) + byte) \leftarrow AX$			
		AX, [SP+byte]	2	1	–	$AX \leftarrow (SP + byte)$			
		[SP+byte], AX	2	1	–	$(SP + byte) \leftarrow AX$			
		AX, word[B]	3	1	4	$AX \leftarrow (B + word)$			
		word[B], AX	3	1	–	$(B + word) \leftarrow AX$			
		AX, ES:word[B]	4	2	5	$AX \leftarrow ((ES, B) + word)$			
		ES:word[B], AX	4	2	–	$((ES, B) + word) \leftarrow AX$			
		AX, word[C]	3	1	4	$AX \leftarrow (C + word)$			
		word[C], AX	3	1	–	$(C + word) \leftarrow AX$			
		AX, ES:word[C]	4	2	5	$AX \leftarrow ((ES, C) + word)$			
		ES:word[C], AX	4	2	–	$((ES, C) + word) \leftarrow AX$			
		AX, word[BC]	3	1	4	$AX \leftarrow (BC + word)$			
		word[BC], AX	3	1	–	$(BC + word) \leftarrow AX$			
		AX, ES:word[BC]	4	2	5	$AX \leftarrow ((ES, BC) + word)$			
		ES:word[BC], AX	4	2	–	$((ES, BC) + word) \leftarrow AX$			

Notes 1. Number of CPU clocks (f_{CLK}) when the internal RAM area, SFR area, or extended SFR area is accessed, or when no data is accessed.

2. Number of CPU clocks (f_{CLK}) when the code flash memory is accessed, or when the data flash memory is accessed by an 8-bit instruction.

Remark Number of clock is when program exists in the internal ROM (flash memory) area. If fetching the instruction from the internal RAM area, the number becomes double number plus 3 clocks at a maximum.

Table 29-5. Operation List (6/17)

Instruction Group	Mnemonic	Operands	Bytes	Clocks		Clocks	Flag		
				Note 1	Note 2		Z	AC	CY
16-bit data transfer	MOVW	BC, !addr16	3	1	4	BC ← (addr16)			
		BC, ES:!addr16	4	2	5	BC ← (ES, addr16)			
		DE, !addr16	3	1	4	DE ← (addr16)			
		DE, ES:!addr16	4	2	5	DE ← (ES, addr16)			
		HL, !addr16	3	1	4	HL ← (addr16)			
		HL, ES:!addr16	4	2	5	HL ← (ES, addr16)			
		BC, saddrp	2	1	–	BC ← (saddrp)			
		DE, saddrp	2	1	–	DE ← (saddrp)			
		HL, saddrp	2	1	–	HL ← (saddrp)			
	XCHW	AX, rp ^{Note 3}	1	1	–	AX ↔ rp			
	ONEW	AX	1	1	–	AX ← 0001H			
		BC	1	1	–	BC ← 0001H			
	CLRW	AX	1	1	–	AX ← 0000H			
		BC	1	1	–	BC ← 0000H			
8-bit operation	ADD	A, #byte	2	1	–	A, CY ← A + byte	x	x	x
		saddr, #byte	3	2	–	(saddr), CY ← (saddr)+byte	x	x	x
		A, r ^{Note 4}	2	1	–	A, CY ← A + r	x	x	x
		r, A	2	1	–	r, CY ← r + A	x	x	x
		A, !addr16	3	1	4	A, CY ← A + (addr16)	x	x	x
		A, ES:!addr16	4	2	5	A, CY ← A + (ES, addr16)	x	x	x
		A, saddr	2	1	–	A, CY ← A + (saddr)	x	x	x
		A, [HL]	1	1	4	A, CY ← A + (HL)	x	x	x
		A, ES:[HL]	2	2	5	A, CY ← A + (ES, HL)	x	x	x
		A, [HL+byte]	2	1	4	A, CY ← A + (HL+byte)	x	x	x
		A, ES:[HL+byte]	3	2	5	A, CY ← A + ((ES, HL)+byte)	x	x	x
		A, [HL+B]	2	1	4	A, CY ← A + (HL+B)	x	x	x
		A, ES:[HL+B]	3	2	5	A, CY ← A + ((ES, HL)+B)	x	x	x
		A, [HL+C]	2	1	4	A, CY ← A + (HL+C)	x	x	x
		A, ES:[HL+C]	3	2	5	A, CY ← A + ((ES, HL) + C)	x	x	x

- Notes**
1. Number of CPU clocks (f_{CLK}) when the internal RAM area, SFR area, or extended SFR area is accessed, or when no data is accessed.
 2. Number of CPU clocks (f_{CLK}) when the code flash memory is accessed, or when the data flash memory is accessed by an 8-bit instruction.
 3. Except rp = AX
 4. Except r = A

Remark Number of clock is when program exists in the internal ROM (flash memory) area. If fetching the instruction from the internal RAM area, the number becomes double number plus 3 clocks at a maximum.

Table 29-5. Operation List (7/17)

Instruction Group	Mnemonic	Operands	Bytes	Clocks		Clocks	Flag		
				Note 1	Note 2		Z	AC	CY
8-bit operation	ADDC	A, #byte	2	1	–	A, CY ← A+byte+CY	x	x	x
		saddr, #byte	3	2	–	(saddr), CY ← (saddr) +byte+CY	x	x	x
		A, r ^{Note 3}	2	1	–	A, CY ← A + r + CY	x	x	x
		r, A	2	1	–	r, CY ← r + A + CY	x	x	x
		A, laddr16	3	1	4	A, CY ← A + (addr16)+CY	x	x	x
		A, ES:!addr16	4	2	5	A, CY ← A + (ES, addr16)+CY	x	x	x
		A, saddr	2	1	–	A, CY ← A + (saddr)+CY	x	x	x
		A, [HL]	1	1	4	A, CY ← A+ (HL) + CY	x	x	x
		A, ES:[HL]	2	2	5	A,CY ← A+ (ES, HL) + CY	x	x	x
		A, [HL+byte]	2	1	4	A, CY ← A+ (HL+byte) + CY	x	x	x
		A, ES:[HL+byte]	3	2	5	A,CY ← A+ ((ES, HL)+byte) + CY	x	x	x
		A, [HL+B]	2	1	4	A, CY ← A+ (HL+B) +CY	x	x	x
		A, ES:[HL+B]	3	2	5	A,CY ← A+((ES, HL)+B)+CY	x	x	x
		A, [HL+C]	2	1	4	A, CY ← A+ (HL+C)+CY	x	x	x
	A, ES:[HL+C]	3	2	5	A,CY ← A+ ((ES, HL)+C)+CY	x	x	x	
	SUB	A, #byte	2	1	–	A, CY ← A – byte	x	x	x
		saddr, #byte	3	2	–	(saddr), CY ← (saddr) – byte	x	x	x
		A, r ^{Note 3}	2	1	–	A, CY ← A – r	x	x	x
		r, A	2	1	–	r, CY ← r – A	x	x	x
		A, laddr16	3	1	4	A, CY ← A – (addr16)	x	x	x
		A, ES:!addr16	4	2	5	A, CY ← A – (ES, addr16)	x	x	x
		A, saddr	2	1	–	A, CY ← A – (saddr)	x	x	x
		A, [HL]	1	1	4	A, CY ← A – (HL)	x	x	x
		A, ES:[HL]	2	2	5	A,CY ← A – (ES, HL)	x	x	x
		A, [HL+byte]	2	1	4	A, CY ← A – (HL+byte)	x	x	x
		A, ES:[HL+byte]	3	2	5	A,CY ← A – ((ES, HL)+byte)	x	x	x
		A, [HL+B]	2	1	4	A, CY ← A – (HL+B)	x	x	x
		A, ES:[HL+B]	3	2	5	A,CY ← A – ((ES, HL)+B)	x	x	x
A, [HL+C]		2	1	4	A, CY ← A – (HL+C)	x	x	x	
A, ES:[HL+C]	3	2	5	A,CY ← A – ((ES, HL)+C)	x	x	x		

- Notes 1.** Number of CPU clocks (f_{CLK}) when the internal RAM area, SFR area, or extended SFR area is accessed, or when no data is accessed.
- 2.** Number of CPU clocks (f_{CLK}) when the code flash memory is accessed, or when the data flash memory is accessed by an 8-bit instruction.
- 3.** Except $r = A$

Remark Number of clock is when program exists in the internal ROM (flash memory) area. If fetching the instruction from the internal RAM area, the number becomes double number plus 3 clocks at a maximum.

Table 29-5. Operation List (8/17)

Instruction Group	Mnemonic	Operands	Bytes	Clocks		Clocks	Flag		
				Note 1	Note 2		Z	AC	CY
8-bit operation	SUBC	A, #byte	2	1	–	A, CY ← A – byte – CY	x	x	x
		saddr, #byte	3	2	–	(saddr), CY ← (saddr) – byte – CY	x	x	x
		A, r ^{Note 3}	2	1	–	A, CY ← A – r – CY	x	x	x
		r, A	2	1	–	r, CY ← r – A – CY	x	x	x
		A, laddr16	3	1	4	A, CY ← A – (addr16) – CY	x	x	x
		A, ES:!addr16	4	2	5	A, CY ← A – (ES, addr16) – CY	x	x	x
		A, saddr	2	1	–	A, CY ← A – (saddr) – CY	x	x	x
		A, [HL]	1	1	4	A, CY ← A – (HL) – CY	x	x	x
		A, ES:[HL]	2	2	5	A, CY ← A – (ES, HL) – CY	x	x	x
		A, [HL+byte]	2	1	4	A, CY ← A – (HL+byte) – CY	x	x	x
		A, ES:[HL+byte]	3	2	5	A, CY ← A – ((ES, HL)+byte) – CY	x	x	x
		A, [HL+B]	2	1	4	A, CY ← A – (HL+B) – CY	x	x	x
		A, ES:[HL+B]	3	2	5	A, CY ← A – ((ES, HL)+B) – CY	x	x	x
		A, [HL+C]	2	1	4	A, CY ← A – (HL+C) – CY	x	x	x
	A, ES:[HL+C]	3	2	5	A, CY ← A – ((ES:HL)+C) – CY	x	x	x	
	AND	A, #byte	2	1	–	A ← A ∧ byte	x		
		saddr, #byte	3	2	–	(saddr) ← (saddr) ∧ byte	x		
		A, r ^{Note 3}	2	1	–	A ← A ∧ r	x		
		r, A	2	1	–	R ← r ∧ A	x		
		A, laddr16	3	1	4	A ← A ∧ (addr16)	x		
		A, ES:!addr16	4	2	5	A ← A ∧ (ES:addr16)	x		
		A, saddr	2	1	–	A ← A ∧ (saddr)	x		
		A, [HL]	1	1	4	A ← A ∧ (HL)	x		
		A, ES:[HL]	2	2	5	A ← A ∧ (ES:HL)	x		
		A, [HL+byte]	2	1	4	A ← A ∧ (HL+byte)	x		
		A, ES:[HL+byte]	3	2	5	A ← A ∧ ((ES:HL)+byte)	x		
		A, [HL+B]	2	1	4	A ← A ∧ (HL+B)	x		
		A, ES:[HL+B]	3	2	5	A ← A ∧ ((ES:HL)+B)	x		
A, [HL+C]		2	1	4	A ← A ∧ (HL+C)	x			
A, ES:[HL+C]	3	2	5	A ← A ∧ ((ES:HL)+C)	x				

- Notes 1.** Number of CPU clocks (f_{CLK}) when the internal RAM area, SFR area, or extended SFR area is accessed, or when no data is accessed.
- 2.** Number of CPU clocks (f_{CLK}) when the code flash memory is accessed, or when the data flash memory is accessed by an 8-bit instruction.
- 3.** Except $r = A$

Remark Number of clock is when program exists in the internal ROM (flash memory) area. If fetching the instruction from the internal RAM area, the number becomes double number plus 3 clocks at a maximum.

Table 29-5. Operation List (9/17)

Instruction Group	Mnemonic	Operands	Bytes	Clocks		Clocks	Flag		
				Note 1	Note 2		Z	AC	CY
8-bit operation	OR	A, #byte	2	1	–	$A \leftarrow A \vee \text{byte}$		x	
		saddr, #byte	3	2	–	$(\text{saddr}) \leftarrow (\text{saddr}) \vee \text{byte}$		x	
		A, r ^{Note 3}	2	1	–	$A \leftarrow A \vee r$		x	
		r, A	2	1	–	$r \leftarrow r \vee A$		x	
		A, laddr16	3	1	4	$A \leftarrow A \vee (\text{addr}16)$		x	
		A, ES:!addr16	4	2	5	$A \leftarrow A \vee (\text{ES}:\text{addr}16)$		x	
		A, saddr	2	1	–	$A \leftarrow A \vee (\text{saddr})$		x	
		A, [HL]	1	1	4	$A \leftarrow A \vee (\text{H})$		x	
		A, ES:[HL]	2	2	5	$A \leftarrow A \vee (\text{ES}:\text{HL})$		x	
		A, [HL+byte]	2	1	4	$A \leftarrow A \vee (\text{HL}+\text{byte})$		x	
		A, ES:[HL+byte]	3	2	5	$A \leftarrow A \vee ((\text{ES}:\text{HL})+\text{byte})$		x	
		A, [HL+B]	2	1	4	$A \leftarrow A \vee (\text{HL}+\text{B})$		x	
		A, ES:[HL+B]	3	2	5	$A \leftarrow A \vee ((\text{ES}:\text{HL})+\text{B})$		x	
		A, [HL+C]	2	1	4	$A \leftarrow A \vee (\text{HL}+\text{C})$		x	
	A, ES:[HL+C]	3	2	5	$A \leftarrow A \vee ((\text{ES}:\text{HL})+\text{C})$		x		
	XOR	A, #byte	2	1	–	$A \leftarrow A \oplus \text{byte}$		x	
		saddr, #byte	3	2	–	$(\text{saddr}) \leftarrow (\text{saddr}) \oplus \text{byte}$		x	
		A, r ^{Note 3}	2	1	–	$A \leftarrow A \oplus r$		x	
		r, A	2	1	–	$r \leftarrow r \oplus A$		x	
		A, laddr16	3	1	4	$A \leftarrow A \oplus (\text{addr}16)$		x	
		A, ES:!addr16	4	2	5	$A \leftarrow A \oplus (\text{ES}:\text{addr}16)$		x	
		A, saddr	2	1	–	$A \leftarrow A \oplus (\text{saddr})$		x	
		A, [HL]	1	1	4	$A \leftarrow A \oplus (\text{HL})$		x	
		A, ES:[HL]	2	2	5	$A \leftarrow A \oplus (\text{ES}:\text{HL})$		x	
		A, [HL+byte]	2	1	4	$A \leftarrow A \oplus (\text{HL}+\text{byte})$		x	
		A, ES:[HL+byte]	3	2	5	$A \leftarrow A \oplus ((\text{ES}:\text{HL})+\text{byte})$		x	
A, [HL+B]		2	1	4	$A \leftarrow A \oplus (\text{HL}+\text{B})$		x		
A, ES:[HL+B]	3	2	5	$A \leftarrow A \oplus ((\text{ES}:\text{HL})+\text{B})$		x			
A, [HL+C]	2	1	4	$A \leftarrow A \oplus (\text{HL}+\text{C})$		x			
A, ES:[HL+C]	3	2	5	$A \leftarrow A \oplus ((\text{ES}:\text{HL})+\text{C})$		x			

- Notes 1.** Number of CPU clocks (f_{CLK}) when the internal RAM area, SFR area, or extended SFR area is accessed, or when no data is accessed.
- 2.** Number of CPU clocks (f_{CLK}) when the code flash memory is accessed, or when the data flash memory is accessed by an 8-bit instruction.
- 3.** Except $r = A$

Remark Number of clock is when program exists in the internal ROM (flash memory) area. If fetching the instruction from the internal RAM area, the number becomes double number plus 3 clocks at a maximum.

Table 29-5. Operation List (10/17)

Instruction Group	Mnemonic	Operands	Bytes	Clocks		Clocks	Flag		
				Note 1	Note 2		Z	AC	CY
8-bit operation	CMP	A, #byte	2	1	–	A – byte	x	x	x
		laddr16, #byte	4	1	4	(addr16) – byte	x	x	x
		ES:laddr16, #byte	5	2	5	(ES:addr16) – byte	x	x	x
		saddr, #byte	3	1	–	(saddr) – byte	x	x	x
		A, r ^{Note3}	2	1	–	A – r	x	x	x
		r, A	2	1	–	r – A	x	x	x
		A, laddr16	3	1	4	A – (addr16)	x	x	x
		A, ES:laddr16	4	2	5	A – (ES:addr16)	x	x	x
		A, saddr	2	1	–	A – (saddr)	x	x	x
		A, [HL]	1	1	4	A – (HL)	x	x	x
		A, ES:[HL]	2	2	5	A – (ES:HL)	x	x	x
		A, [HL+byte]	2	1	4	A – (HL+byte)	x	x	x
		A, ES:[HL+byte]	3	2	5	A – ((ES:HL)+byte)	x	x	x
		A, [HL+B]	2	1	4	A – (HL+B)	x	x	x
		A, ES:[HL+B]	3	2	5	A – ((ES:HL)+B)	x	x	x
		A, [HL+C]	2	1	4	A – (HL+C)	x	x	x
	A, ES:[HL+C]	3	2	5	A – ((ES:HL)+C)	x	x	x	
	CMP0	A	1	1	–	A – 00H	x	0	0
		X	1	1	–	X – 00H	x	0	0
		B	1	1	–	B – 00H	x	0	0
		C	1	1	–	C – 00H	x	0	0
		laddr16	3	1	4	(addr16) – 00H	x	0	0
		ES:laddr16	4	2	5	(ES:addr16) – 00H	x	0	0
		saddr	2	1	–	(saddr) – 00H	x	0	0
	CMPS	X, [HL+byte]	3	1	4	X – (HL+byte)	x	x	x
		X, ES:[HL+byte]	4	2	5	X – ((ES:HL)+byte)	x	x	x

- Notes**
1. Number of CPU clocks (f_{CLK}) when the internal RAM area, SFR area, or extended SFR area is accessed, or when no data is accessed.
 2. Number of CPU clocks (f_{CLK}) when the code flash memory is accessed, or when the data flash memory is accessed by an 8-bit instruction.
 3. Except $r = A$

Remark Number of clock is when program exists in the internal ROM (flash memory) area. If fetching the instruction from the internal RAM area, the number becomes double number plus 3 clocks at a maximum.

Table 29-5. Operation List (11/17)

Instruction Group	Mnemonic	Operands	Bytes	Clocks		Clocks	Flag		
				Note 1	Note 2		Z	AC	CY
16-bit operation	ADDW	AX, #word	3	1	–	AX, CY ← AX+word	x	x	x
		AX, AX	1	1	–	AX, CY ← AX+AX	x	x	x
		AX, BC	1	1	–	AX, CY ← AX+BC	x	x	x
		AX, DE	1	1	–	AX, CY ← AX+DE	x	x	x
		AX, HL	1	1	–	AX, CY ← AX+HL	x	x	x
		AX, !addr16	3	1	4	AX, CY ← AX+(addr16)	x	x	x
		AX, ES:!addr16	4	2	5	AX, CY ← AX+(ES:addr16)	x	x	x
		AX, saddrp	2	1	–	AX, CY ← AX+(saddrp)	x	x	x
		AX, [HL+byte]	3	1	4	AX, CY ← AX+(HL+byte)	x	x	x
		AX, ES: [HL+byte]	4	2	5	AX, CY ← AX+((ES:HL)+byte)	x	x	x
	SUBW	AX, #word	3	1	–	AX, CY ← AX – word	x	x	x
		AX, BC	1	1	–	AX, CY ← AX – BC	x	x	x
		AX, DE	1	1	–	AX, CY ← AX – DE	x	x	x
		AX, HL	1	1	–	AX, CY ← AX – HL	x	x	x
		AX, !addr16	3	1	4	AX, CY ← AX – (addr16)	x	x	x
		AX, ES:!addr16	4	2	5	AX, CY ← AX – (ES:addr16)	x	x	x
		AX, saddrp	2	1	–	AX, CY ← AX – (saddrp)	x	x	x
		AX, [HL+byte]	3	1	4	AX, CY ← AX – (HL+byte)	x	x	x
		AX, ES: [HL+byte]	4	2	5	AX, CY ← AX – ((ES:HL)+byte)	x	x	x
		CMPW	AX, #word	3	1	–	AX – word	x	x
	AX, BC		1	1	–	AX – BC	x	x	x
	AX, DE		1	1	–	AX – DE	x	x	x
	AX, HL		1	1	–	AX – HL	x	x	x
	AX, !addr16		3	1	4	AX – (addr16)	x	x	x
	AX, ES:!addr16		4	2	5	AX – (ES:addr16)	x	x	x
	AX, saddrp		2	1	–	AX – (saddrp)	x	x	x
	AX, [HL+byte]		3	1	4	AX – (HL+byte)	x	x	x
AX, ES: [HL+byte]	4		2	5	AX – ((ES:HL)+byte)	x	x	x	
Multiply	MULU	X	1	1	–	AX ← AxX			

Notes 1. Number of CPU clocks (f_{CLK}) when the internal RAM area, SFR area, or extended SFR area is accessed, or when no data is accessed.

- 2.** Number of CPU clocks (f_{CLK}) when the code flash memory is accessed, or when the data flash memory is accessed by an 8-bit instruction.

Remark Number of clock is when program exists in the internal ROM (flash memory) area. If fetching the instruction from the internal RAM area, the number becomes double number plus 3 clocks at a maximum.

Table 29-5. Operation List (12/17)

Instruction Group	Mnemonic	Operands	Bytes	Clocks		Clocks	Flag		
				Note 1	Note 2		Z	AC	CY
Increment/ decrement	INC	r	1	1	–	$r \leftarrow r+1$	x	x	
		!addr16	3	2	–	$(addr16) \leftarrow (addr16)+1$	x	x	
		ES:!addr16	4	3	–	$(ES, addr16) \leftarrow (ES, addr16)+1$	x	x	
		saddr	2	2	–	$(saddr) \leftarrow (saddr)+1$	x	x	
		[HL+byte]	3	2	–	$(HL+byte) \leftarrow (HL+byte)+1$	x	x	
		ES: [HL+byte]	4	3	–	$((ES:HL)+byte) \leftarrow ((ES:HL)+byte)+1$	x	x	
	DEC	r	1	1	–	$r \leftarrow r-1$	x	x	
		!addr16	3	2	–	$(addr16) \leftarrow (addr16)-1$	x	x	
		ES:!addr16	4	3	–	$(ES, addr16) \leftarrow (ES, addr16)-1$	x	x	
		saddr	2	2	–	$(saddr) \leftarrow (saddr)-1$	x	x	
		[HL+byte]	3	2	–	$(HL+byte) \leftarrow (HL+byte)-1$	x	x	
		ES: [HL+byte]	4	3	–	$((ES:HL)+byte) \leftarrow ((ES:HL)+byte)-1$	x	x	
	INCW	rp	1	1	–	$rp \leftarrow rp+1$			
		!addr16	3	2	–	$(addr16) \leftarrow (addr16)+1$			
		ES:!addr16	4	3	–	$(ES, addr16) \leftarrow (ES, addr16)+1$			
		saddrp	2	2	–	$(saddrp) \leftarrow (saddrp)+1$			
		[HL+byte]	3	2	–	$(HL+byte) \leftarrow (HL+byte)+1$			
		ES: [HL+byte]	4	3	–	$((ES:HL)+byte) \leftarrow ((ES:HL)+byte)+1$			
	DECW	rp	1	1	–	$rp \leftarrow rp-1$			
		!addr16	3	2	–	$(addr16) \leftarrow (addr16)-1$			
		ES:!addr16	4	3	–	$(ES, addr16) \leftarrow (ES, addr16)-1$			
saddrp		2	2	–	$(saddrp) \leftarrow (saddrp)-1$				
[HL+byte]		3	2	–	$(HL+byte) \leftarrow (HL+byte)-1$				
ES: [HL+byte]		4	3	–	$((ES:HL)+byte) \leftarrow ((ES:HL)+byte)-1$				
Shift	SHR	A, cnt	2	1	–	$(CY \leftarrow A_0, A_{m-1} \leftarrow A_m, A_7 \leftarrow 0) \times cnt$			x
	SHRW	AX, cnt	2	1	–	$(CY \leftarrow AX_0, AX_{m-1} \leftarrow AX_m, AX_{15} \leftarrow 0) \times cnt$			x
	SHL	A, cnt	2	1	–	$(CY \leftarrow A_7, A_m \leftarrow A_{m-1}, A_0 \leftarrow 0) \times cnt$			x
		B, cnt	2	1	–	$(CY \leftarrow B_7, B_m \leftarrow B_{m-1}, B_0 \leftarrow 0) \times cnt$			x
		C, cnt	2	1	–	$(CY \leftarrow C_7, C_m \leftarrow C_{m-1}, C_0 \leftarrow 0) \times cnt$			x
	SHLW	AX, cnt	2	1	–	$(CY \leftarrow AX_{15}, AX_m \leftarrow AX_{m-1}, AX_0 \leftarrow 0) \times cnt$			x
		BC, cnt	2	1	–	$(CY \leftarrow BC_{15}, BC_m \leftarrow BC_{m-1}, BC_0 \leftarrow 0) \times cnt$			x
	SAR	A, cnt	2	1	–	$(CY \leftarrow A_0, A_{m-1} \leftarrow A_m, A_7 \leftarrow A_7) \times cnt$			x
SARW	AX, cnt	2	1	–	$(CY \leftarrow AX_0, AX_{m-1} \leftarrow AX_m, AX_{15} \leftarrow AX_{15}) \times cnt$			x	

- Notes 1.** Number of CPU clocks (f_{CLK}) when the internal RAM area, SFR area, or extended SFR area is accessed, or when no data is accessed.
- 2.** Number of CPU clocks (f_{CLK}) when the code flash memory is accessed, or when the data flash memory is accessed by an 8-bit instruction.

- Remarks 1.** Number of clock is when program exists in the internal ROM (flash memory) area. If fetching the instruction from the internal RAM area, the number becomes double number plus 3 clocks at a maximum.
- 2.** cnt indicates the bit shift count.

Table 29-5. Operation List (13/17)

Instruction Group	Mnemonic	Operands	Bytes	Clocks		Clocks	Flag		
				Note 1	Note 2		Z	AC	CY
Rotate	ROR	A, 1	2	1	–	$(CY, A_7 \leftarrow A_0, A_{m-1} \leftarrow A_m) \times 1$			x
	ROL	A, 1	2	1	–	$(CY, A_0 \leftarrow A_7, A_{m+1} \leftarrow A_m) \times 1$			x
	RORC	A, 1	2	1	–	$(CY \leftarrow A_0, A_7 \leftarrow CY, A_{m-1} \leftarrow A_m) \times 1$			x
	ROLC	A, 1	2	1	–	$(CY \leftarrow A_7, A_0 \leftarrow CY, A_{m+1} \leftarrow A_m) \times 1$			x
	ROLWC	AX,1	2	1	–	$(CY \leftarrow AX_{15}, AX_0 \leftarrow CY, AX_{m+1} \leftarrow AX_m) \times 1$			x
		BC,1	2	1	–	$(CY \leftarrow BC_{15}, BC_0 \leftarrow CY, BC_{m+1} \leftarrow BC_m) \times 1$			x
Bit manipulate	MOV1	CY, A.bit	2	1	–	$CY \leftarrow A.bit$			x
		A.bit, CY	2	1	–	$A.bit \leftarrow CY$			
		CY, PSW.bit	3	1	–	$CY \leftarrow PSW.bit$			x
		PSW.bit, CY	3	4	–	$PSW.bit \leftarrow CY$	x	x	
		CY, saddr.bit	3	1	–	$CY \leftarrow (saddr).bit$			x
		saddr.bit, CY	3	2	–	$(saddr).bit \leftarrow CY$			
		CY, sfr.bit	3	1	–	$CY \leftarrow sfr.bit$			x
		sfr.bit, CY	3	2	–	$sfr.bit \leftarrow CY$			
		CY, [HL].bit	2	1	4	$CY \leftarrow (HL).bit$			x
		[HL].bit, CY	2	2	–	$(HL).bit \leftarrow CY$			
	CY, ES:[HL].bit	3	2	5	$CY \leftarrow (ES, HL).bit$			x	
	ES:[HL].bit, CY	3	3	–	$(ES, HL).bit \leftarrow CY$				
	AND1	CY, A.bit	2	1	–	$CY \leftarrow CY \wedge A.bit$			x
		CY, PSW.bit	3	1	–	$CY \leftarrow CY \wedge PSW.bit$			x
		CY, saddr.bit	3	1	–	$CY \leftarrow CY \wedge (saddr).bit$			x
		CY, sfr.bit	3	1	–	$CY \leftarrow CY \wedge sfr.bit$			x
		CY, [HL].bit	2	1	4	$CY \leftarrow CY \wedge (HL).bit$			x
		CY, ES:[HL].bit	3	2	5	$CY \leftarrow CY \wedge (ES, HL).bit$			x
	OR1	CY, A.bit	2	1	–	$CY \leftarrow CY \vee A.bit$			x
		CY, PSW.bit	3	1	–	$CY \leftarrow CY \vee PSW.bit$			x
		CY, saddr.bit	3	1	–	$CY \leftarrow CY \vee (saddr).bit$			x
CY, sfr.bit		3	1	–	$CY \leftarrow CY \vee sfr.bit$			x	
CY, [HL].bit		2	1	4	$CY \leftarrow CY \vee (HL).bit$			x	
CY, ES:[HL].bit		3	2	5	$CY \leftarrow CY \vee (ES, HL).bit$			x	

Notes 1. Number of CPU clocks (f_{CLK}) when the internal RAM area, SFR area, or extended SFR area is accessed, or when no data is accessed.

2. Number of CPU clocks (f_{CLK}) when the code flash memory is accessed, or when the data flash memory is accessed by an 8-bit instruction.

Remark Number of clock is when program exists in the internal ROM (flash memory) area. If fetching the instruction from the internal RAM area, the number becomes double number plus 3 clocks at a maximum.

Table 29-5. Operation List (14/17)

Instruction Group	Mnemonic	Operands	Bytes	Clocks		Clocks	Flag		
				Note 1	Note 2		Z	AC	CY
Bit manipulate	XOR1	CY, A.bit	2	1	–	$CY \leftarrow CY \nabla A.bit$			x
		CY, PSW.bit	3	1	–	$CY \leftarrow CY \nabla PSW.bit$			x
		CY, saddr.bit	3	1	–	$CY \leftarrow CY \nabla (saddr).bit$			x
		CY, sfr.bit	3	1	–	$CY \leftarrow CY \nabla sfr.bit$			x
		CY, [HL].bit	2	1	4	$CY \leftarrow CY \nabla (HL).bit$			x
		CY, ES:[HL].bit	3	2	5	$CY \leftarrow CY \nabla (ES, HL).bit$			x
	SET1	A.bit	2	1	–	$A.bit \leftarrow 1$			
		PSW.bit	3	4	–	$PSW.bit \leftarrow 1$	x	x	x
		!addr16.bit	4	2	–	$(addr16).bit \leftarrow 1$			
		ES:!addr16.bit	5	3	–	$(ES, addr16).bit \leftarrow 1$			
		saddr.bit	3	2	–	$(saddr).bit \leftarrow 1$			
		sfr.bit	3	2	–	$sfr.bit \leftarrow 1$			
		[HL].bit	2	2	–	$(HL).bit \leftarrow 1$			
		ES:[HL].bit	3	3	–	$(ES, HL).bit \leftarrow 1$			
	CLR1	A.bit	2	1	–	$A.bit \leftarrow 0$			
		PSW.bit	3	4	–	$PSW.bit \leftarrow 0$	x	x	x
		!addr16.bit	4	2	–	$(addr16).bit \leftarrow 0$			
		ES:!addr16.bit	5	3	–	$(ES, addr16).bit \leftarrow 0$			
		saddr.bit	3	2	–	$(saddr).bit \leftarrow 0$			
		sfr.bit	3	2	–	$sfr.bit \leftarrow 0$			
		[HL].bit	2	2	–	$(HL).bit \leftarrow 0$			
		ES:[HL].bit	3	3	–	$(ES, HL).bit \leftarrow 0$			
	SET1	CY	2	1	–	$CY \leftarrow 1$			1
	CLR1	CY	2	1	–	$CY \leftarrow 0$			0
	NOT1	CY	2	1	–	$CY \leftarrow \neg CY$			x

- Notes 1.** Number of CPU clocks (f_{CLK}) when the internal RAM area, SFR area, or extended SFR area is accessed, or when no data is accessed
- 2.** Number of CPU clocks (f_{CLK}) when the code flash memory is accessed, or when the data flash memory is accessed by an 8-bit instruction.

Remark Number of clock is when program exists in the internal ROM (flash memory) area. If fetching the instruction from the internal RAM area, the number becomes double number plus 3 clocks at a maximum.

Table 29-5. Operation List (15/17)

Instruction Group	Mnemonic	Operands	Bytes	Clocks		Clocks	Flag		
				Note 1	Note 2		Z	AC	CY
Call/ return	CALL	rp	2	3	–	(SP – 2) ← (PC+2) _s , (SP – 3) ← (PC+2) _H , (SP – 4) ← (PC+2) _L , PC ← CS, rp, SP ← SP – 4			
		\$!addr20	3	3	–	(SP – 2) ← (PC+3) _s , (SP – 3) ← (PC+3) _H , (SP – 4) ← (PC+3) _L , PC ← PC+3+jdisp16, SP ← SP – 4			
		!addr16	3	3	–	(SP – 2) ← (PC+3) _s , (SP – 3) ← (PC+3) _H , (SP – 4) ← (PC+3) _L , PC ← 0000, addr16, SP ← SP – 4			
		!!addr20	4	3	–	(SP – 2) ← (PC+4) _s , (SP – 3) ← (PC+4) _H , (SP – 4) ← (PC+4) _L , PC ← addr20, SP ← SP – 4			
	CALLT	[addr5]	2	5	–	(SP – 2) ← (PC+2) _s , (SP – 3) ← (PC+2) _H , (SP – 4) ← (PC+2) _L , PC _s ← 0000, PC _H ← (0000, addr5+1), PC _L ← (0000, addr5), SP ← SP – 4			
	BRK	-	2	5	–	(SP – 1) ← PSW, (SP – 2) ← (PC+2) _s , (SP – 3) ← (PC+2) _H , (SP – 4) ← (PC+2) _L , PC _s ← 0000, PC _H ← (0007FH), PC _L ← (0007EH), SP ← SP – 4, IE ← 0			
	RET	-	1	6	–	PC _L ← (SP), PC _H ← (SP+1), PC _s ← (SP+2), SP ← SP+4			
RETI	-	2	6	–	PC _L ← (SP), PC _H ← (SP+1), PC _s ← (SP+2), PSW ← (SP+3), SP ← SP+4	R	R	R	
RETB	-	2	6	–	PC _L ← (SP), PC _H ← (SP+1), PC _s ← (SP+2), PSW ← (SP+3), SP ← SP+4	R	R	R	

- Notes 1.** Number of CPU clocks (f_{CLK}) when the internal RAM area, SFR area, or extended SFR area is accessed, or when no data is accessed.
- 2.** Number of CPU clocks (f_{CLK}) when the code flash memory is accessed, or when the data flash memory is accessed by an 8-bit instruction.

Remark Number of clock is when program exists in the internal ROM (flash memory) area. If fetching the instruction from the internal RAM area, the number becomes double number plus 3 clocks at a maximum.

Table 29-5. Operation List (16/17)

Instruction Group	Mnemonic	Operands	Bytes	Clocks		Clocks	Flag		
				Note 1	Note 2		Z	AC	CY
Stack manipulate	PUSH	PSW	2	1	–	(SP – 1) ← PSW, (SP – 2) ← 00H, SP ← SP – 2			
		rp	1	1	–	(SP – 1) ← rp _H , (SP – 2) ← rp _L , SP ← SP – 2			
	POP	PSW	2	3	–	PSW ← (SP+1), SP ← SP + 2	R	R	R
		rp	1	1	–	rp _L ← (SP), rp _H ← (SP+1), SP ← SP + 2			
	MOVW	SP, #word	4	1	–	SP ← word			
		SP, AX	2	1	–	SP ← AX			
		AX, SP	2	1	–	AX ← SP			
		HL, SP	3	1	–	HL ← SP			
		BC, SP	3	1	–	BC ← SP			
		DE, SP	3	1	–	DE ← SP			
ADDW	SP, #byte	2	1	–	SP ← SP + byte				
SUBW	SP, #byte	2	1	–	SP ← SP – byte				
Un-conditional branch	BR	AX	2	3	–	PC ← CS, AX			
		\$addr20	2	3	–	PC ← PC + 2 + jdisp8			
		!addr20	3	3	–	PC ← PC + 3 + jdisp16			
		!addr16	3	3	–	PC ← 0000, addr16			
		!!addr20	4	3	–	PC ← addr20			
Conditional branch	BC	\$addr20	2	2/4 ^{Note3}	–	PC ← PC + 2 + jdisp8 if CY = 1			
	BNC	\$addr20	2	2/4 ^{Note3}	–	PC ← PC + 2 + jdisp8 if CY = 0			
	BZ	\$addr20	2	2/4 ^{Note3}	–	PC ← PC + 2 + jdisp8 if Z = 1			
	BNZ	\$addr20	2	2/4 ^{Note3}	–	PC ← PC + 2 + jdisp8 if Z = 0			
	BH	\$addr20	3	2/4 ^{Note3}	–	PC ← PC + 3 + jdisp8 if (Z∨CY)=0			
	BNH	\$addr20	3	2/4 ^{Note3}	–	PC ← PC + 3 + jdisp8 if (Z∨CY)=1			
	BT	saddr.bit, \$addr20	4	3/5 ^{Note3}	–	PC ← PC + 4 + jdisp8 if (saddr).bit = 1			
		sfr.bit, \$addr20	4	3/5 ^{Note3}	–	PC ← PC + 4 + jdisp8 if sfr.bit = 1			
		A.bit, \$addr20	3	3/5 ^{Note3}	–	PC ← PC + 3 + jdisp8 if A.bit = 1			
		PSW.bit, \$addr20	4	3/5 ^{Note3}	–	PC ← PC + 4 + jdisp8 if PSW.bit = 1			
		[HL].bit, \$addr20	3	3/5 ^{Note3}	6/7	PC ← PC + 3 + jdisp8 if (HL).bit = 1			
ES:[HL].bit, \$addr20	4	4/6 ^{Note3}	7/8	PC ← PC + 4 + jdisp8 if (ES, HL).bit = 1					

- Notes 1.** Number of CPU clocks (f_{CLK}) when the internal RAM area, SFR area, or extended SFR area is accessed, or when no data is accessed.
- 2.** Number of CPU clocks (f_{CLK}) when the code flash memory is accessed, or when the data flash memory is accessed by an 8-bit instruction.
- 3.** This indicates the number of clocks “when condition is not met/when condition is met”.

Remark Number of clock is when program exists in the internal ROM (flash memory) area. If fetching the instruction from the internal RAM area, the number becomes double number plus 3 clocks at a maximum.

Table 29-5. Operation List (17/17)

Instruction Group	Mnemonic	Operands	Bytes	Clocks		Clocks	Flag		
				Note 1	Note 2		Z	AC	CY
Conditional branch	BF	saddr.bit, \$addr20	4	3/5 ^{Note3}	–	PC ← PC + 4 + jdisp8 if (saddr).bit = 0			
		sfr.bit, \$addr20	4	3/5 ^{Note3}	–	PC ← PC + 4 + jdisp8 if sfr.bit = 0			
		A.bit, \$addr20	3	3/5 ^{Note3}	–	PC ← PC + 3 + jdisp8 if A.bit = 0			
		PSW.bit, \$addr20	4	3/5 ^{Note3}	–	PC ← PC + 4 + jdisp8 if PSW.bit = 0			
		[HL].bit, \$addr20	3	3/5 ^{Note3}	6/7	PC ← PC + 3 + jdisp8 if (HL).bit = 0			
		ES:[HL].bit, \$addr20	4	4/6 ^{Note3}	7/8	PC ← PC + 4 + jdisp8 if (ES, HL).bit = 0			
	BTCLR	saddr.bit, \$addr20	4	3/5 ^{Note3}	–	PC ← PC + 4 + jdisp8 if (saddr).bit = 1 then reset (saddr).bit			
		sfr.bit, \$addr20	4	3/5 ^{Note3}	–	PC ← PC + 4 + jdisp8 if sfr.bit = 1 then reset sfr.bit			
		A.bit, \$addr20	3	3/5 ^{Note3}	–	PC ← PC + 3 + jdisp8 if A.bit = 1 then reset A.bit			
		PSW.bit, \$addr20	4	3/5 ^{Note3}	–	PC ← PC + 4 + jdisp8 if PSW.bit = 1 then reset PSW.bit	x	x	x
		[HL].bit, \$addr20	3	3/5 ^{Note3}	–	PC ← PC + 3 + jdisp8 if (HL).bit = 1 then reset (HL).bit			
		ES:[HL].bit, \$addr20	4	4/6 ^{Note3}	–	PC ← PC + 4 + jdisp8 if (ES, HL).bit = 1 then reset (ES, HL).bit			
Conditional skip	SKC	–	2	1	–	Next instruction skip if CY = 1			
	SKNC	–	2	1	–	Next instruction skip if CY = 0			
	SKZ	–	2	1	–	Next instruction skip if Z = 1			
	SKNZ	–	2	1	–	Next instruction skip if Z = 0			
	SKH	–	2	1	–	Next instruction skip if (Z∨CY)=0			
	SKNH	–	2	1	–	Next instruction skip if (Z∨CY)=1			
CPU control	SEL ^{Note4}	Rbn	2	1	–	RBS[1:0] ← n			
	NOP	–	1	1	–	No Operation			
	EI	–	3	4	–	IE ← 1 (Enable Interrupt)			
	DI	–	3	4	–	IE ← 0 (Disable Interrupt)			
	HALT	–	2	3	–	Set HALT Mode			
	STOP	–	2	3	–	Set STOP Mode			

- Notes 1.** Number of CPU clocks (f_{CLK}) when the internal RAM area, SFR area, or extended SFR area is accessed, or when no data is accessed.
- 2.** Number of CPU clocks (f_{CLK}) when the code flash memory is accessed, or when the data flash memory is accessed by an 8-bit instruction.
- 3.** This indicates the number of clocks “when condition is not met/when condition is met”.
- 4.** n indicates the number of register banks (n = 0 to 3).

Remark Number of clock is when program exists in the internal ROM (flash memory) area. If fetching the instruction from the internal RAM area, the number becomes double number plus 3 clocks at a maximum.

CHAPTER 30 ELECTRICAL SPECIFICATIONS (A, G: T_A = -40 to +85°C)

This chapter describes the electrical specifications for the products "A: Consumer applications (T_A = -40 to +85°C)" and "G: Industrial applications (with T_A = -40 to +85°C)".

- Cautions**
- 1. The RL78 microcontrollers have an on-chip debug function, which is provided for development and evaluation. Do not use the on-chip debug function in products designated for mass production, because the guaranteed number of rewritable times of the flash memory may be exceeded when this function is used, and product reliability therefore cannot be guaranteed. Renesas Electronics is not liable for problems occurring when the on-chip debug function is used.**
 - 2. With products not provided with an EV_{DD}, or EV_{SS} pin, replace EV_{DD} with V_{DD}, or replace EV_{SS} with V_{SS}.**
 - 3. The pins mounted depend on the product. Refer to 2.1 Port Function to 2.2.1 Pins for each product (pins other than port pins).**

30.1 Absolute Maximum Ratings

Absolute Maximum Ratings (T_A = 25°C)

(1/3)

Parameter	Symbols	Conditions	Ratings	Unit
Supply voltage	V _{DD}	V _{DD} = EV _{DD}	-0.5 to +6.5	V
	EV _{DD}	V _{DD} = EV _{DD}	-0.5 to +6.5	V
	EV _{SS}		-0.5 to +0.3	V
REGC pin input voltage	V _{REGC}	REGC	-0.3 to +2.8 and -0.3 to V _{DD} + 0.3 ^{Note 1}	V
Input voltage	V _{I1}	P10 to P17, P30 to P32, P40 to P43, P50 to P54, P70 to P74, P120, P125 to P127, P140 to P147	-0.3 to EV _{DD} + 0.3 and -0.3 to V _{DD} + 0.3 ^{Note 2}	V
	V _{I2}	P60, P61 (N-ch open-drain)	-0.3 to EV _{DD} + 0.3 and -0.3 to V _{DD} + 0.3 ^{Note 2}	V
	V _{I3}	P20, P21, P121 to P124, P137, EXCLK, EXCLKS, RESET	-0.3 to V _{DD} + 0.3 ^{Note 2}	V
Output voltage	V _{O1}	P10 to P17, P30 to P32, P40 to P43, P50 to P54, P60, P61, P70 to P74, P120, P125 to P127, P130, P140 to P147	-0.3 to EV _{DD} + 0.3 and -0.3 to V _{DD} + 0.3 ^{Note 2}	V
	V _{O2}	P20, P21	-0.3 to V _{DD} + 0.3 ^{Note 2}	V
Analog input voltage	V _{AI1}	ANI16 to ANI23	-0.3 to EV _{DD} + 0.3 and -0.3 to AV _{REF(+)} + 0.3 Notes 2, 3	V
	V _{AI2}	ANI0, ANI1	-0.3 to V _{DD} + 0.3 and -0.3 to AV _{REF(+)} + 0.3 Notes 2, 3	V

- Notes**
1. Connect the REGC pin to V_{SS} via a capacitor (0.47 to 1 μF). This value regulates the absolute maximum rating of the REGC pin. Do not use this pin with voltage applied to it.
 2. Must be 6.5 V or lower.
 3. Do not exceed AV_{REF(+)} + 0.3 V in case of A/D conversion target pin.

Caution Product quality may suffer if the absolute maximum rating is exceeded even momentarily for any parameter. That is, the absolute maximum ratings are rated values at which the product is on the verge of suffering physical damage, and therefore the product must be used under conditions that ensure that the absolute maximum ratings are not exceeded.

- Remarks**
1. Unless specified otherwise, the characteristics of alternate-function pins are the same as those of the port pins.
 2. AV_{REF(+)} : + side reference voltage of the A/D converter.
 3. V_{SS} : Reference voltage

Absolute Maximum Ratings (T_A = 25°C)**(2/3)**

Parameter	Symbols	Conditions	Ratings	Unit
LCD voltage	V _{L1}	V _{L1} voltage ^{Note 1}	-0.3 to +2.8 and -0.3 to V _{L4} + 0.3	V
	V _{L2}	V _{L2} voltage ^{Note 1}	-0.3 to V _{L4} + 0.3 ^{Note 2}	V
	V _{L3}	V _{L3} voltage ^{Note 1}	-0.3 to V _{L4} + 0.3 ^{Note 2}	V
	V _{L4}	V _{L4} voltage ^{Note 1}	-0.3 to +6.5	V
	V _{LCAP}	CAPL, CAPH voltage ^{Note 1}	-0.3 to V _{L4} + 0.3 ^{Note 2}	V
	V _{LOUT}	COM0 to COM7, SEG0 to SEG38, output voltage	External resistance division method Capacitor split method Internal voltage boosting method	-0.3 to V _{DD} + 0.3 ^{Note 2} -0.3 to V _{DD} + 0.3 ^{Note 2} -0.3 to V _{L4} + 0.3 ^{Note 2}

Notes 1. This value only indicates the absolute maximum ratings when applying voltage to the V_{L1}, V_{L2}, V_{L3}, and V_{L4} pins; it does not mean that applying voltage to these pins is recommended. When using the internal voltage boosting method or capacitance split method, connect these pins to V_{SS} via a capacitor (0.47 μF ± 30%) and connect a capacitor (0.47 μF ± 30%) between the CAPL and CAPH pins.

2. Must be 6.5 V or lower.

Caution Product quality may suffer if the absolute maximum rating is exceeded even momentarily for any parameter. That is, the absolute maximum ratings are rated values at which the product is on the verge of suffering physical damage, and therefore the product must be used under conditions that ensure that the absolute maximum ratings are not exceeded.

Remark V_{SS} : Reference voltage

Absolute Maximum Ratings (T_A = 25°C)**(3/3)**

Parameter	Symbols	Conditions		Ratings	Unit
Output current, high	I _{OH1}	Per pin	P10 to P17, P30 to P32, P40 to P43, P50 to P54, P70 to P74, P120, P125 to P127, P130, P140 to P147	-40	mA
		Total of all pins -170 mA	P10 to P14, P40 to P43, P120, P130, P140 to P147	-70	mA
			P15 to P17, P30 to P32, P50 to P54, P70 to P74, P125 to P127	-100	mA
	I _{OH2}	Per pin	P20, P21	-0.5	mA
		Total of all pins		-1	mA
Output current, low	I _{OL1}	Per pin	P10 to P17, P30 to P32, P40 to P43, P50 to P54, P60, P61, P70 to P74, P120, P125 to P127, P130, P140 to P147	40	mA
		Total of all pins 170 mA	P10 to P14, P40 to P43, P120, P130, P140 to P147	70	mA
			P15 to P17, P30 to P32, P50 to P54, P60, P61, P70 to P74, P125 to P127	100	mA
	I _{OL2}	Per pin	P20, P21	1	mA
		Total of all pins		2	mA
Operating ambient temperature	T _A	In normal operation mode		-40 to +85	°C
		In flash memory programming mode			
Storage temperature	T _{stg}			-65 to +150	°C

Caution Product quality may suffer if the absolute maximum rating is exceeded even momentarily for any parameter. That is, the absolute maximum ratings are rated values at which the product is on the verge of suffering physical damage, and therefore the product must be used under conditions that ensure that the absolute maximum ratings are not exceeded.

Remark Unless specified otherwise, the characteristics of alternate-function pins are the same as those of the port pins.

30.2 Oscillator Characteristics

<R> 30.2.1 X1, XT1 oscillator characteristics

(T_A = -40 to +85°C, 1.6 V ≤ EV_{DD} = V_{DD} ≤ 5.5 V, V_{SS} = EV_{SS} = 0 V)

Parameter	Resonator	Conditions	MIN.	TYP.	MAX.	Unit
X1 clock oscillation frequency (f _x) ^{Note}	Ceramic resonator/ crystal resonator	2.7 V ≤ V _{DD} ≤ 5.5 V	1.0		20.0	MHz
		2.4 V ≤ V _{DD} ≤ 2.7 V	1.0		16.0	MHz
		1.8 V ≤ V _{DD} < 2.7 V	1.0		8.0	MHz
		1.6 V ≤ V _{DD} < 1.8 V	1.0		4.0	MHz
XT1 clock oscillation frequency (f _{XT}) ^{Note}	Crystal resonator		32	32.768	35	kHz

Note Indicates only permissible oscillator frequency ranges. Refer to **30.4 AC Characteristics** for instruction execution time. Request evaluation by the manufacturer of the oscillator circuit mounted on a board to check the oscillator characteristics.

Caution Since the CPU is started by the high-speed on-chip oscillator clock after a reset release, check the X1 clock oscillation stabilization time using the oscillation stabilization time counter status register (OSTC) by the user. Determine the oscillation stabilization time of the OSTC register and the oscillation stabilization time select register (OSTS) after sufficiently evaluating the oscillation stabilization time with the resonator to be used.

Remark When using the X1 oscillator and XT1 oscillator, refer to **5.4 System Clock Oscillator**.

30.2.2 On-chip oscillator characteristics

(T_A = -40 to +85°C, 1.6 V ≤ EV_{DD} = V_{DD} ≤ 5.5 V, V_{SS} = EV_{SS} = 0 V)

Oscillators	Parameters	Conditions	MIN.	TYP.	MAX.	Unit	
High-speed on-chip oscillator clock frequency ^{Notes 1, 2}	f _{ih}		1		24	MHz	
High-speed on-chip oscillator clock frequency accuracy		-20 to +85°C	1.8 V ≤ V _{DD} ≤ 5.5 V	-1		+1	%
			1.6 V ≤ V _{DD} < 1.8 V	-5		+5	%
		-40 to -20°C	1.8 V ≤ V _{DD} ≤ 5.5 V	-1.5		+1.5	%
			1.6 V ≤ V _{DD} < 1.8 V	-5.5		+5.5	%
Low-speed on-chip oscillator clock frequency	f _{il}			15		kHz	
Low-speed on-chip oscillator clock frequency accuracy			-15		+15	%	

Notes 1. High-speed on-chip oscillator frequency is selected by bits 0 to 3 of option byte (000C2H) and bits 0 to 2 of HOCODIV register.

2. This indicates the oscillator characteristics only. Refer to **30.4 AC Characteristics** for instruction execution time.

30.3 DC Characteristics

30.3.1 Pin characteristics

(T_A = -40 to +85°C, 1.6 V ≤ EV_{DD} = V_{DD} ≤ 5.5 V, V_{SS} = EV_{SS} = 0 V)

(1/5)

Items	Symbol	Conditions	MIN.	TYP.	MAX.	Unit	
Output current, high ^{Note 1}	I _{OH1}	Per pin for P10 to P17, P30 to P32, P40 to P43, P50 to P54, P70 to P74, P120, P125 to P127, P130, P140 to P147			-10.0 Note 2	mA	
		Total of P10 to P14, P40 to P43, P120, P130, P140 to P147 (When duty = 70% ^{Note 3})	4.0 V ≤ EV _{DD} ≤ 5.5 V			-40.0	mA
			2.7 V ≤ EV _{DD} < 4.0 V			-8.0	mA
			1.8 V ≤ EV _{DD} < 2.7 V			-4.0	mA
			1.6 V ≤ EV _{DD} < 1.8 V			-2.0	mA
		Total of P15 to P17, P30 to P32, P50 to P54, P70 to P74, P125 to P127 (When duty = 70% ^{Note 3})	4.0 V ≤ EV _{DD} ≤ 5.5 V			-60.0	mA
			2.7 V ≤ EV _{DD} < 4.0 V			-15.0	mA
			1.8 V ≤ EV _{DD} < 2.7 V			-8.0	mA
			1.6 V ≤ EV _{DD} < 1.8 V			-4.0	mA
		Total of all pins (When duty = 70% ^{Note 3})					-100.0
I _{OH2}	P20, P21	Per pin			-0.1	mA	
		Total of all pins	1.6 V ≤ V _{DD} ≤ 5.5 V			-0.2	mA

Notes 1. Value of current at which the device operation is guaranteed even if the current flows from the V_{DD} and EV_{DD} pins to an output pin.

2. Do not exceed the total current value.

3. Specification under conditions where the duty factor ≤ 70%.

The output current value that has changed to the duty factor > 70% the duty ratio can be calculated with the following expression (when changing the duty factor from 70% to n%).

- Total output current of pins = (I_{OH} × 0.7)/(n × 0.01)

<Example> Where n = 80% and I_{OH} = -40.0 mA

$$\text{Total output current of pins} = (-40.0 \times 0.7)/(80 \times 0.01) \cong -35.0 \text{ mA}$$

However, the current that is allowed to flow into one pin does not vary depending on the duty factor. A current higher than the absolute maximum rating must not flow into one pin.

Caution P10, P12, P15, and P17 do not output high level in N-ch open-drain mode.

Remark Unless specified otherwise, the characteristics of alternate-function pins are the same as those of the port pins.

(T_A = -40 to +85°C, 1.6 V ≤ EV_{DD} = V_{DD} ≤ 5.5 V, V_{SS} = EV_{SS} = 0 V)

(2/5)

Items	Symbol	Conditions		MIN.	TYP.	MAX.	Unit
Output current, I _{OL1} ^{Note 1}	I _{OL1}	Per pin for P10 to P17, P30 to P32, P40 to P43, P50 to P54, P70 to P74, P120, P125 to P127, P130, P140 to P147				20.0 Note 2	mA
		Per pin for P60, P61				15.0 ^{Note 2}	mA
		Total of P10 to P14, P40 to P43, P120, P130, P140 to P147 (When duty = 70% ^{Note 3})	4.0 V ≤ EV _{DD} ≤ 5.5 V			70.0	mA
			2.7 V ≤ EV _{DD} < 4.0 V			15.0	mA
			1.8 V ≤ EV _{DD} < 2.7 V			9.0	mA
			1.6 V ≤ EV _{DD} < 1.8 V			4.5	mA
		Total of P15 to P17, P30 to P32, P50 to P54, P60, P61, P70 to P74, P125 to P127 (When duty = 70% ^{Note 3})	4.0 V ≤ EV _{DD} ≤ 5.5 V			80.0	mA
			2.7 V ≤ EV _{DD} < 4.0 V			35.0	mA
			1.8 V ≤ EV _{DD} < 2.7 V			20.0	mA
			1.6 V ≤ EV _{DD} < 1.8 V			10.0	mA
Total of all pins (When duty = 70% ^{Note 3})				150.0	mA		
I _{OL2}	P20, P21	Per pin				0.4	mA
		Total of all pins		1.6 V ≤ V _{DD} ≤ 5.5 V		0.8	mA

<R> **Notes** 1. Value of current at which the device operation is guaranteed even if the current flows from the V_{DD} and EV_{DD} pins to an output pin.

2. Do not exceed the total current value.

<R> 3. Specification under conditions where the duty factor ≤ 70%.

The output current value that has changed to the duty factor > 70% the duty ratio can be calculated with the following expression (when changing the duty factor from 70% to n%).

- Total output current of pins = (I_{OH} × 0.7)/(n × 0.01)

<Example> Where n = 80% and I_{OL} = 70.0 mA

$$\text{Total output current of pins} = (70.0 \times 0.7)/(80 \times 0.01) \cong 61.25 \text{ mA}$$

However, the current that is allowed to flow into one pin does not vary depending on the duty factor. A current higher than the absolute maximum rating must not flow into one pin.

Remark Unless specified otherwise, the characteristics of alternate-function pins are the same as those of the port pins.

(T_A = -40 to +85°C, 1.6 V ≤ EV_{DD} = V_{DD} ≤ 5.5 V, V_{SS} = EV_{SS} = 0 V)

(3/5)

Items	Symbol	Conditions	MIN.	TYP.	MAX.	Unit	
Input voltage, high	V _{IH1}	P10 to P17, P30 to P32, P40 to P43, P50 to P54, P70 to P74, P120, P125 to P127, P140 to P147	Normal input buffer	0.8EV _{DD}		EV _{DD}	V
	V _{IH2}	P10, P11, P15, P16	TTL input buffer 4.0 V ≤ EV _{DD} ≤ 5.5 V	2.2		EV _{DD}	V
			TTL input buffer 3.3 V ≤ EV _{DD} < 4.0 V	2.0		EV _{DD}	V
			TTL input buffer 1.6 V ≤ EV _{DD} < 3.3 V	1.50		EV _{DD}	V
	V _{IH3}	P20, P21		0.7V _{DD}		V _{DD}	V
	V _{IH4}	P60, P61		0.7EV _{DD}		EV _{DD}	V
	V _{IH5}	P121 to P124, P137, EXCLK, EXCLKS, RESET		0.8V _{DD}		V _{DD}	V
Input voltage, low	V _{IL1}	P10 to P17, P30 to P32, P40 to P43, P50 to P54, P70 to P74, P120, P125 to P127, P140 to P147	Normal input buffer	0		0.2EV _{DD}	V
	V _{IL2}	P10, P11, P15, P16	TTL input buffer 4.0 V ≤ EV _{DD} ≤ 5.5 V	0		0.8	V
			TTL input buffer 3.3 V ≤ EV _{DD} < 4.0 V	0		0.5	V
			TTL input buffer 1.6 V ≤ EV _{DD} < 3.3 V	0		0.32	V
	V _{IL3}	P20, P21		0		0.3V _{DD}	V
	V _{IL4}	P60, P61		0		0.3EV _{DD}	V
	V _{IL5}	P121 to P124, P137, EXCLK, EXCLKS, RESET		0		0.2V _{DD}	V

Caution The maximum value of V_{IH} of P10, P12, P15, P17 is EV_{DD}, even in the N-ch open-drain mode.

Remark Unless specified otherwise, the characteristics of alternate-function pins are the same as those of the port pins.

(T_A = -40 to +85°C, 1.6 V ≤ EV_{DD} = V_{DD} ≤ 5.5 V, V_{SS} = EV_{SS} = 0 V)

(4/5)

Items	Symbol	Conditions	MIN.	TYP.	MAX.	Unit
Output voltage, high	V _{OH1}	P10 to P17, P30 to P32, P40 to P43, P50 to P54, P70 to P74, P120, P125 to P127, P130, P140 to P147	4.0 V ≤ EV _{DD} ≤ 5.5 V, I _{OH1} = -10 mA	EV _{DD} -1.5		V
			4.0 V ≤ EV _{DD} ≤ 5.5 V, I _{OH1} = -3.0 mA	EV _{DD} -0.7		V
			2.7 V ≤ EV _{DD} ≤ 5.5 V, I _{OH1} = -2.0 mA	EV _{DD} -0.6		V
			1.8 V ≤ EV _{DD} ≤ 5.5 V, I _{OH1} = -1.5 mA	EV _{DD} -0.5		V
			1.6 V ≤ EV _{DD} ≤ 5.5 V, I _{OH1} = -1.0 mA	EV _{DD} -0.5		V
	V _{OH2}	P20, P21	1.6 V ≤ V _{DD} ≤ 5.5 V, I _{OH2} = -100 μA	V _{DD} -0.5		V
Output voltage, low	V _{OL1}	P10 to P17, P30 to P32, P40 to P43, P50 to P54, P70 to P74, P120, P125 to P127, P130, P140 to P147	4.0 V ≤ EV _{DD} ≤ 5.5 V, I _{OL1} = 20 mA		1.3	V
			4.0 V ≤ EV _{DD} ≤ 5.5 V, I _{OL1} = 8.5 mA		0.7	V
			2.7 V ≤ EV _{DD} ≤ 5.5 V, I _{OL1} = 3.0 mA		0.6	V
			2.7 V ≤ EV _{DD} ≤ 5.5 V, I _{OL1} = 1.5 mA		0.4	V
			1.8 V ≤ EV _{DD} ≤ 5.5 V, I _{OL1} = 0.6 mA		0.4	V
			1.6 V ≤ EV _{DD} < 5.5 V, I _{OL1} = 0.3 mA		0.4	V
	V _{OL2}	P20, P21	1.6 V ≤ V _{DD} ≤ 5.5 V, I _{OL2} = 400 μA		0.4	V
	V _{OL3}	P60, P61	4.0 V ≤ EV _{DD} ≤ 5.5 V, I _{OL3} = 15.0 mA		2.0	V
			4.0 V ≤ EV _{DD} ≤ 5.5 V, I _{OL3} = 5.0 mA		0.4	V
			2.7 V ≤ EV _{DD} ≤ 5.5 V, I _{OL3} = 3.0 mA		0.4	V
			1.8 V ≤ EV _{DD} ≤ 5.5 V, I _{OL3} = 2.0 mA		0.4	V
			1.6 V ≤ EV _{DD} < 5.5 V, I _{OL3} = 1.0 mA		0.4	V

Caution P10, P12, P15, P17 do not output high level in N-ch open-drain mode.

Remark Unless specified otherwise, the characteristics of alternate-function pins are the same as those of the port pins.

(T_A = -40 to +85°C, 1.6 V ≤ EV_{DD} = V_{DD} ≤ 5.5 V, V_{SS} = EV_{SS} = 0 V)

(5/5)

Items	Symbol	Conditions		MIN.	TYP.	MAX.	Unit	
Input leakage current, high	I _{LIH1}	P10 to P17, P30 to P32, P40 to P43, P50 to P54, P60, P61, P70 to P74, P120, P125 to P127, P140 to P147	V _I = EV _{DD}			1	μA	
	I _{LIH2}	P20, P21, P137, RESET	V _I = V _{DD}			1	μA	
	I _{LIH3}	P121 to P124 (X1, X2, XT1, XT2, EXCLK, EXCLKS)	V _I = V _{DD}	In input port or external clock input			1	μA
				In resonator connection			10	μA
Input leakage current, low	I _{LIL1}	P10 to P17, P30 to P32, P40 to P43, P50 to P54, P60, P61, P70 to P74, P120, P125 to P127, P140 to P147	V _I = EV _{SS}			-1	μA	
	I _{LIL2}	P20, P21, P137, RESET	V _I = V _{SS}			-1	μA	
	I _{LIL3}	P121 to P124 (X1, X2, XT1, XT2, EXCLK, EXCLKS)	V _I = V _{SS}	In input port or external clock input			-1	μA
				In resonator connection			-10	μA
On-chip pll-up resistance	R _{U1}	V _I = EV _{SS}	SEGxx port					
			2.4 V ≤ EV _{DD} = V _{DD} ≤ 5.5 V	10	20	100	kΩ	
			1.6 V ≤ EV _{DD} = V _{DD} < 2.4 V	10	30	100	kΩ	
	R _{U2}		Ports other than above (Except for P60, P61, and P130)	10	20	100	kΩ	

Remark Unless specified otherwise, the characteristics of alternate-function pins are the same as those of the port pins.

30.3.2 Supply current characteristics

(T_A = -40 to +85°C, 1.6 V ≤ EV_{DD} = V_{DD} ≤ 5.5 V, V_{SS} = EV_{SS} = 0 V)

(1/3)

Parameter	Symbol	Conditions				MIN.	TYP.	MAX.	Unit		
Supply current Note 1	I _{DD1}	Operating mode	HS (high-speed main) mode Note 5	f _{IH} = 24 MHz Note 3	Basic operation	V _{DD} = 5.0 V		1.5		mA	
						V _{DD} = 3.0 V		1.5		mA	
				Normal operation	V _{DD} = 5.0 V		3.3	5.0	mA		
					V _{DD} = 3.0 V		3.3	5.0	mA		
					f _{IH} = 16 MHz Note 3	Normal operation	V _{DD} = 5.0 V		2.5	3.7	mA
						V _{DD} = 3.0 V		2.5	3.7	mA	
				LS (low-speed main) mode Note 5	f _{IH} = 8 MHz Note 3	Normal operation	V _{DD} = 3.0 V		1.2	1.8	mA
			V _{DD} = 2.0 V					1.2	1.8	mA	
				LV (low-voltage main) mode Note 5	f _{IH} = 4 MHz Note 3	Normal operation	V _{DD} = 3.0 V		1.2	1.7	mA
			V _{DD} = 2.0 V					1.2	1.7	mA	
			HS (high-speed main) mode Note 5	f _{MX} = 20 MHz Note 2, V _{DD} = 5.0 V	Normal operation	Square wave input		2.8	4.4	mA	
		Resonator connection					3.0	4.6	mA		
		Normal operation			Square wave input		2.8	4.4	mA		
					Resonator connection		3.0	4.6	mA		
		Normal operation		f _{MX} = 20 MHz Note 2, V _{DD} = 3.0 V	Normal operation	Square wave input		2.8	4.4	mA	
						Resonator connection		3.0	4.6	mA	
				Normal operation	f _{MX} = 10 MHz Note 2, V _{DD} = 5.0 V	Square wave input		1.8	2.6	mA	
						Resonator connection		1.8	2.6	mA	
		Normal operation	f _{MX} = 10 MHz Note 2, V _{DD} = 3.0 V	Normal operation	Square wave input		1.8	2.6	mA		
					Resonator connection		1.8	2.6	mA		
Normal operation	f _{MX} = 8 MHz Note 2, V _{DD} = 3.0 V		Square wave input		1.1	1.7	mA				
			Resonator connection		1.1	1.7	mA				
Subsystem clock operation	f _{SUB} = 32.768 kHz Note 4, T _A = -40°C	Normal operation	Square wave input		3.5	4.9	μA				
			Resonator connection		3.6	5.0	μA				
		Normal operation	f _{SUB} = 32.768 kHz Note 4, T _A = +25°C	Square wave input		3.6	4.9	μA			
				Resonator connection		3.7	5.0	μA			
		Normal operation	f _{SUB} = 32.768 kHz Note 4, T _A = +50°C	Square wave input		3.7	5.5	μA			
				Resonator connection		3.8	5.6	μA			
Normal operation	f _{SUB} = 32.768 kHz Note 4, T _A = +70°C	Square wave input		3.8	6.3	μA					
		Resonator connection		3.9	6.4	μA					
Normal operation	f _{SUB} = 32.768 kHz Note 4, T _A = +85°C	Square wave input		4.1	7.7	μA					
		Resonator connection		4.2	7.8	μA					

(Notes and Remarks are listed on the next page.)

- <R> **Notes**
1. Total current flowing into V_{DD} and EV_{DD}, including the input leakage current flowing when the level of the input pin is fixed to V_{DD}, EV_{DD} or V_{SS}, EV_{SS}. The values below the MAX. column include the peripheral operation current. However, not including the current flowing into the A/D converter, LVD circuit, I/O port, and on-chip pull-up/pull-down resistors and the current flowing during data flash rewrite.
 2. When high-speed on-chip oscillator and subsystem clock are stopped.
 3. When high-speed system clock and subsystem clock are stopped.
- <R>
4. When high-speed on-chip oscillator and high-speed system clock are stopped. When AMPHS1 = 1 (Ultra-low power consumption oscillation). However, not including the current flowing into the RTC, 12-bit interval timer, watchdog timer, and LCD controller/driver.
 5. Relationship between operation voltage width, operation frequency of CPU and operation mode is as below.
 - HS (high-speed main) mode: 2.7 V ≤ V_{DD} ≤ 5.5 V@1 MHz to 24 MHz
2.4 V ≤ V_{DD} ≤ 5.5 V@1 MHz to 16 MHz
 - LS (low-speed main) mode: 1.8 V ≤ V_{DD} ≤ 5.5 V@1 MHz to 8 MHz
 - LV (low-voltage main) mode: 1.6 V ≤ V_{DD} ≤ 5.5 V@1 MHz to 4 MHz

- Remarks**
1. f_{MX}: High-speed system clock frequency (X1 clock oscillation frequency or external main system clock frequency)
 2. f_{IH}: High-speed on-chip oscillator clock frequency
 3. f_{SUB}: Subsystem clock frequency (XT1 clock oscillation frequency)
 4. Except subsystem clock operation, temperature condition of the TYP. value is T_A = 25°C

(T_A = -40 to +85°C, 1.6 V ≤ EV_{DD} = V_{DD} ≤ 5.5 V, V_{SS} = EV_{SS} = 0 V)

(2/3)

Parameter	Symbol	Conditions				MIN.	TYP.	MAX.	Unit
<R> Supply current Note 1	I _{DD2} Note 2	HALT mode	HS (high-speed main) mode Note 7	f _{IH} = 24 MHz Note 4	V _{DD} = 5.0 V	0.44	1.28	mA	
					V _{DD} = 3.0 V	0.44	1.28	mA	
				f _{IH} = 16 MHz Note 4	V _{DD} = 5.0 V	0.40	1.00	mA	
					V _{DD} = 3.0 V	0.40	1.00	mA	
				LS (low-speed main) mode Note 7	f _{IH} = 8 MHz Note 4	V _{DD} = 3.0 V	260	530	μA
						V _{DD} = 2.0 V	260	530	μA
			LV (low-voltage main) mode Note 7	f _{IH} = 4 MHz Note 4	V _{DD} = 3.0 V	420	640	μA	
					V _{DD} = 2.0 V	420	640	μA	
			HS (high-speed main) mode Note 7	f _{MX} = 20 MHz Note 3, V _{DD} = 5.0 V	Square wave input	0.28	1.00	mA	
					Resonator connection	0.45	1.17	mA	
					f _{MX} = 20 MHz Note 3, V _{DD} = 3.0 V	Square wave input	0.28	1.00	mA
						Resonator connection	0.45	1.17	mA
		f _{MX} = 10 MHz Note 3, V _{DD} = 5.0 V			Square wave input	0.19	0.60	mA	
					Resonator connection	0.26	0.67	mA	
		f _{MX} = 10 MHz Note 3, V _{DD} = 3.0 V		Square wave input	0.19	0.60	mA		
				Resonator connection	0.26	0.67	mA		
		LS (low-speed main) mode Note 7		f _{MX} = 8 MHz Note 3, V _{DD} = 3.0 V	Square wave input	95	330	μA	
					Resonator connection	145	380	μA	
				f _{MX} = 8 MHz Note 3, V _{DD} = 2.0 V	Square wave input	95	330	μA	
					Resonator connection	145	380	μA	
		Subsystem clock operation	f _{SUB} = 32.768 kHz Note 5 T _A = -40°C	Square wave input	0.31	0.57	μA		
				Resonator connection	0.50	0.76	μA		
			f _{SUB} = 32.768 kHz Note 5 T _A = +25°C	Square wave input	0.37	0.57	μA		
				Resonator connection	0.56	0.76	μA		
f _{SUB} = 32.768 kHz Note 5 T _A = +50°C	Square wave input		0.46	1.17	μA				
	Resonator connection		0.65	1.36	μA				
f _{SUB} = 32.768 kHz Note 5 T _A = +70°C	Square wave input		0.57	1.97	μA				
	Resonator connection		0.76	2.16	μA				
f _{SUB} = 32.768 kHz Note 5 T _A = +85°C	Square wave input	0.85	3.37	μA					
	Resonator connection	1.04	3.56	μA					
I _{DD3} Note 6	STOP mode Note 8	T _A = -40°C				0.17	0.50	μA	
		T _A = +25°C				0.23	0.50	μA	
		T _A = +50°C				0.32	1.10	μA	
		T _A = +70°C				0.43	1.90	μA	
		T _A = +85°C				0.71	3.30	μA	

(Notes and Remarks are listed on the next page.)

- <R> **Notes**
1. Total current flowing into V_{DD} and EV_{DD}, including the input leakage current flowing when the level of the input pin is fixed to V_{DD}, EV_{DD} or V_{SS}, EV_{SS}. The values below the MAX. column include the peripheral operation current. However, not including the current flowing into the A/D converter, LVD circuit, I/O port, and on-chip pull-up/pull-down resistors and the current flowing during data flash rewrite.
 2. During HALT instruction execution by flash memory.
 3. When high-speed on-chip oscillator and subsystem clock are stopped.
 4. When high-speed system clock and subsystem clock are stopped.
 - <R> 5. When high-speed on-chip oscillator and high-speed system clock are stopped. When RTCLPC = 1 and setting ultra-low current consumption (AMPHS1 = 1). The current flowing into the RTC is included. However, not including the current flowing into the 12-bit interval timer, watchdog timer, and LCD controller/driver.
 - <R> 6. Not including the current flowing into the RTC, 12-bit interval timer, and watchdog timer.
 7. Relationship between operation voltage width, operation frequency of CPU and operation mode is as below.
 - HS (high-speed main) mode: $2.7\text{ V} \leq V_{DD} \leq 5.5\text{ V}@1\text{ MHz to }24\text{ MHz}$
 - $2.4\text{ V} \leq V_{DD} \leq 5.5\text{ V}@1\text{ MHz to }16\text{ MHz}$
 - LS (low-speed main) mode: $1.8\text{ V} \leq V_{DD} \leq 5.5\text{ V}@1\text{ MHz to }8\text{ MHz}$
 - LV (low-voltage main) mode: $1.6\text{ V} \leq V_{DD} \leq 5.5\text{ V}@1\text{ MHz to }4\text{ MHz}$
 8. Regarding the value for current to operate the subsystem clock in STOP mode, refer to that in HALT mode.

- Remarks**
1. f_{MX}: High-speed system clock frequency (X1 clock oscillation frequency or external main system clock frequency)
 2. f_{IH}: High-speed on-chip oscillator clock frequency
 3. f_{SUB}: Subsystem clock frequency (XT1 clock oscillation frequency)
 4. Except subsystem clock operation and STOP mode, temperature condition of the TYP. value is T_A = 25°C

(T_A = -40 to +85°C, 1.6 V ≤ EV_{DD} = V_{DD} ≤ 5.5 V, V_{SS} = EV_{SS} = 0 V)

(3/3)

<R>	Parameter	Symbol	Conditions		MIN.	TYP.	MAX.	Unit
	Low-speed on-chip oscillator operating current	I _{FIL} ^{Note 1}				0.20		μA
	RTC operating current	I _{RTC} Notes 1, 2, 3	f _{MAIN} is stopped			0.08		μA
	12-bit interval timer current	I _{IT} Notes 1, 2, 4				0.08		μA
	Watchdog timer operating current	I _{WDT} Notes 1, 2, 5	f _{IL} = 15 kHz			0.24		μA
	A/D converter operating current	I _{ADC} Notes 1, 6	When conversion at maximum speed	Normal mode, AV _{REFP} = V _{DD} = 5.0 V		1.3	1.7	mA
				Low voltage mode, AV _{REFP} = V _{DD} = 3.0 V		0.5	0.7	mA
	A/D converter reference voltage current	I _{ADREF} ^{Note 1}				75.0		μA
	Temperature sensor operating current	I _{TMPS} ^{Note 1}				75.0		μA
	LVD operating current	I _{LVD} Notes 1, 7				0.08		μA
	Self-programming operating current	I _{FSP} Notes 1, 9				2.50	12.20	mA
	BGO operating current	I _{BGO} Notes 1, 8				2.00	12.20	mA
	LCD operating current	I _{LCD1} Notes 11, 12	External resistance division method	V _{DD} = EV _{DD} = 5.0 V V _{L4} = 5.0 V		0.04	0.20	μA
			I _{LCD2} ^{Note 11}	Internal voltage boosting method	V _{DD} = EV _{DD} = 5.0 V V _{L4} = 5.1 V (VLCD = 12H)		1.12	3.70
		I _{LCD3} ^{Note 11}			Capacitor split method	V _{DD} = EV _{DD} = 3.0 V V _{L4} = 3.0 V (VLCD = 04H)		0.63
						V _{DD} = EV _{DD} = 3.0 V V _{L4} = 3.0 V		0.12
	SNOOZE operating current	I _{SNOZ} ^{Note 1}	ADC operation	The mode is performed ^{Note 10}		0.50	0.60	mA
				The A/D conversion operations are performed, Low voltage mode, AV _{REFP} = V _{DD} = 3.0 V		1.20	1.44	mA
			CSI/UART operation		0.70	0.84	mA	

(Notes and Remarks are listed on the next page.)

- <R> **Notes**
1. Current flowing to V_{DD}.
 2. When high speed on-chip oscillator and high-speed system clock are stopped.
 - <R> 3. Current flowing only to the real-time clock (RTC) (excluding the operating current of the low-speed on-chip oscillator and the XT1 oscillator). The supply current of the RL78 microcontrollers is the sum of the values of either I_{DD1} or I_{DD2}, and I_{RTC}, when the real-time clock operates in operation mode or HALT mode. When the low-speed on-chip oscillator is selected, I_{FIL} should be added. I_{DD2} subsystem clock operation includes the operational current of the real-time clock.
 - <R> 4. Current flowing only to the 12-bit interval timer (excluding the operating current of the low-speed on-chip oscillator and the XT1 oscillator). The supply current of the RL78 microcontrollers is the sum of the values of either I_{DD1} or I_{DD2}, and I_{IT}, when the 12-bit interval timer operates in operation mode or HALT mode. When the low-speed on-chip oscillator is selected, I_{FIL} should be added.
 - <R> 5. Current flowing only to the watchdog timer (including the operating current of the low-speed on-chip oscillator). The supply current of the RL78 microcontrollers is the sum of I_{DD1}, I_{DD2} or I_{DD3} and I_{WDT} when the watchdog timer is in operation.
 - <R> 6. Current flowing only to the A/D converter. The supply current of the RL78 microcontrollers is the sum of I_{DD1} or I_{DD2} and I_{ADC} when the A/D converter operates in an operation mode or the HALT mode.
 - <R> 7. Current flowing only to the LVD circuit. The supply current of the RL78 microcontrollers is the sum of I_{DD1}, I_{DD2} or I_{DD3} and I_{LVD} when the LVD circuit is in operation.
 - <R> 8. Current flowing only during data flash rewrite.
 - <R> 9. Current flowing only during self programming.
 - <R> 10. For shift time to the SNOOZE mode, see **19.3.3 SNOOZE mode**.
 11. Current flowing only to the LCD controller/driver. The supply current value of the RL78 microcontrollers is the sum of the LCD operating current (I_{LCD1}, I_{LCD2} or I_{LCD3}) to the supply current (I_{DD1} or I_{DD2}) when the LCD controller/driver operates in an operation mode or HALT mode. Not including the current that flows through the LCD panel.
The TYP. value and MAX. value are following conditions.
 - When f_{SUB} is selected for system clock, LCD clock = 128 Hz (LCDC0 = 07H)
 - 4-Time-Slice, 1/3 Bias Method
 12. Not including the current that flows through the external divider resistor when the external resistance division method is used.

- Remarks**
1. f_L: Low-speed on-chip oscillator clock frequency
 2. f_{SUB}: Subsystem clock frequency (XT1 clock oscillation frequency)
 3. f_{CLK}: CPU/peripheral hardware clock frequency
 4. Temperature condition of the TYP. value is T_A = 25°C

30.4 AC Characteristics

30.4.1 Basic operation

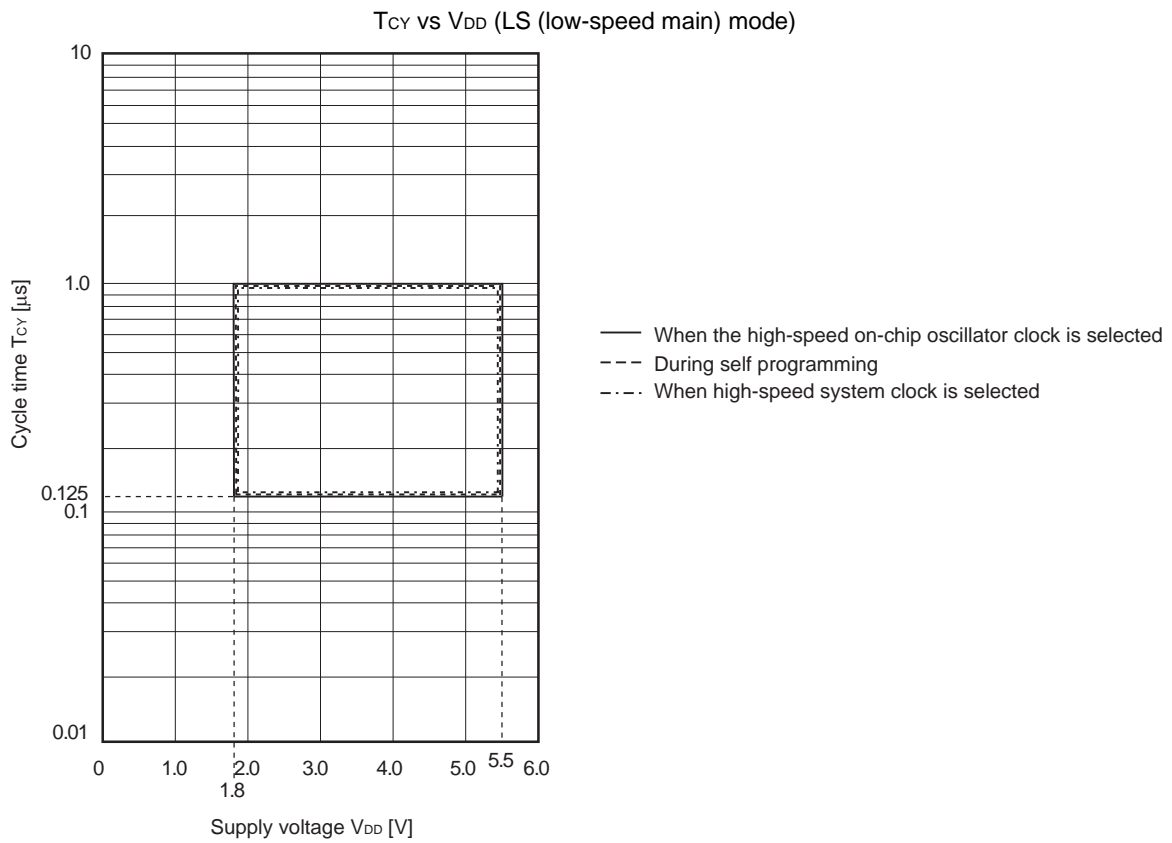
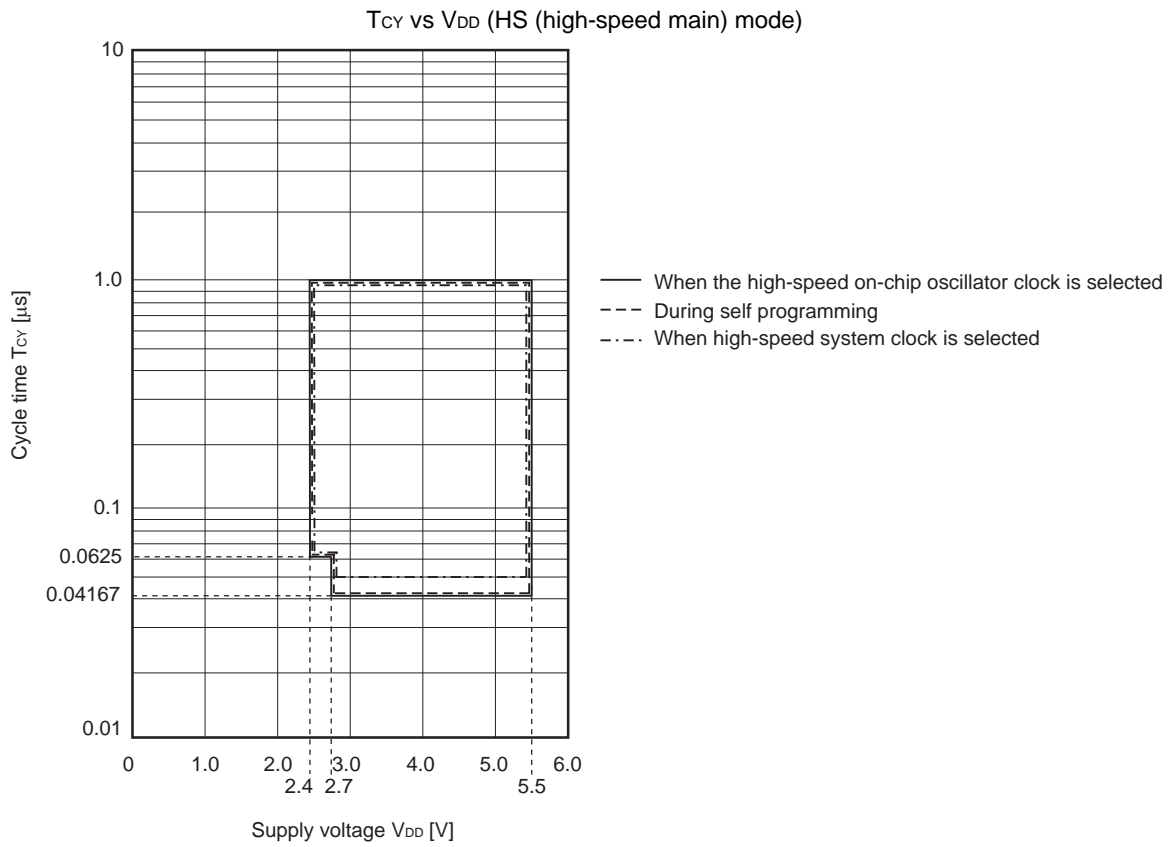
(T_A = -40 to +85°C, 1.6 V ≤ EV_{DD} = V_{DD} ≤ 5.5 V, V_{SS} = EV_{SS} = 0 V)

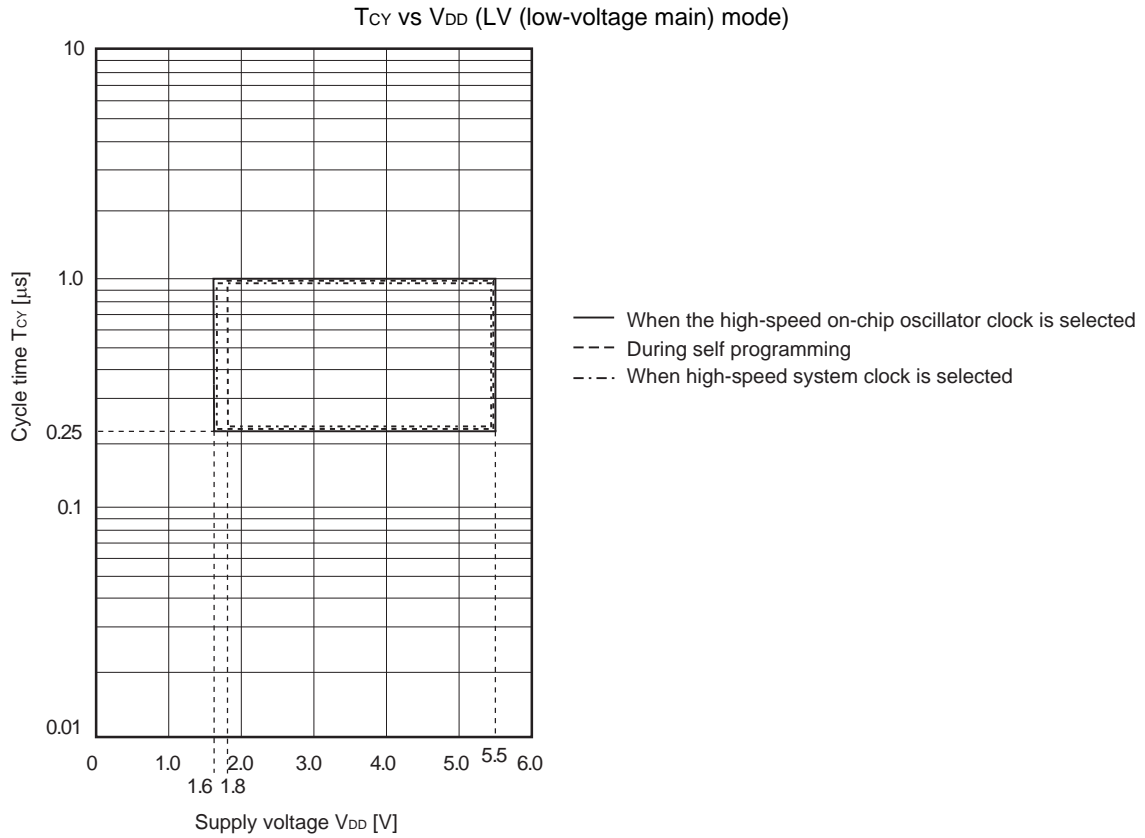
Items	Symbol	Conditions		MIN.	TYP.	MAX.	Unit	
Instruction cycle (minimum instruction execution time)	T _{CY}	Main system clock (f _{MAIN}) operation	HS (high-speed main) mode	2.7 V ≤ V _{DD} ≤ 5.5 V	0.04167		1	μs
				2.4 V ≤ V _{DD} < 2.7 V	0.0625		1	μs
			LV (low voltage main) mode	1.6 V ≤ V _{DD} ≤ 5.5 V	0.25		1	μs
				LS (low-speed main) mode	1.8 V ≤ V _{DD} ≤ 5.5 V	0.125		1
		Subsystem clock (f _{SUB}) operation		1.8 V ≤ V _{DD} ≤ 5.5 V	28.5	30.5	31.3	μs
		In the self programming mode	HS (high-speed main) mode	2.7 V ≤ V _{DD} ≤ 5.5 V	0.04167		1	μs
				2.4 V ≤ V _{DD} < 2.7 V	0.0625		1	μs
			LV (low voltage main) mode	1.8 V ≤ V _{DD} ≤ 5.5 V	0.25		1	μs
LS (low-speed main) mode	1.8 V ≤ V _{DD} ≤ 5.5 V			0.125		1	μs	
External main system clock frequency	f _{EX}	2.7 V ≤ V _{DD} ≤ 5.5 V		1.0		20.0	MHz	
		2.4 V ≤ V _{DD} < 2.7 V		1.0		16.0	MHz	
		1.8 V ≤ V _{DD} < 2.4 V		1.0		8.0	MHz	
		1.6 V ≤ V _{DD} < 1.8 V		1.0		4.0	MHz	
	f _{EXS}			32		35	kHz	
External main system clock input high-level width, low-level width	t _{EXH} , t _{EXL}	2.7 V ≤ V _{DD} ≤ 5.5 V		24			ns	
		2.4 V ≤ V _{DD} < 2.7 V		30			ns	
		1.8 V ≤ V _{DD} < 2.4 V		60			ns	
		1.6 V ≤ V _{DD} < 1.8 V		120			ns	
	t _{EXHS} , t _{EXLS}			13.7			μs	
TI00 to TI07 input high-level width, low-level width	t _{TIH} , t _{TIL}			1/f _{MCK} +10			ns	
TO00 to TO07 output frequency	f _{TO}	HS (high-speed main) mode	4.0 V ≤ EV _{DD} ≤ 5.5 V			16	MHz	
			2.7 V ≤ EV _{DD} < 4.0 V			8	MHz	
			2.4 V ≤ EV _{DD} < 2.7 V			4	MHz	
		LS (low-speed main) mode	1.8 V ≤ EV _{DD} ≤ 5.5 V			4	MHz	
		LV (low voltage main) mode	1.6 V ≤ EV _{DD} ≤ 5.5 V			2	MHz	
PCLBUZ0, PCLBUZ1 output frequency	f _{PCL}	HS (high-speed main) mode	4.0 V ≤ EV _{DD} ≤ 5.5 V			16	MHz	
			2.7 V ≤ EV _{DD} < 4.0 V			8	MHz	
			2.4 V ≤ EV _{DD} < 2.7 V			4	MHz	
		LS (low-speed main) mode	1.8 V ≤ EV _{DD} ≤ 5.5 V			4	MHz	
		LV (low-voltage main) mode	1.8 V ≤ EV _{DD} ≤ 5.5 V			4	MHz	
			1.6 V ≤ EV _{DD} < 1.8 V			2	MHz	
Interrupt input high-level width, low-level width	t _{INTH} , t _{INTL}	INTP0	1.6 V ≤ V _{DD} ≤ 5.5 V	1			μs	
		INTP1 to INTP7	1.6 V ≤ EV _{DD} ≤ 5.5 V	1			μs	
Key interrupt input low-level width	t _{KR}	KR0 to KR3	1.8 V ≤ EV _{DD} ≤ 5.5 V	250			ns	
			1.6 V ≤ EV _{DD} < 1.8 V	1			μs	
RESET low-level width	t _{RSL}			10			μs	

Remark f_{MCK}: Timer array unit operation clock frequency

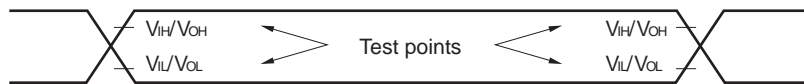
(Operation clock to be set by the CKS0n bit of timer mode register 0n (TMR0n). n: Channel number (n = 0 to 7))

<R> Minimum Instruction Execution Time during Main System Clock Operation

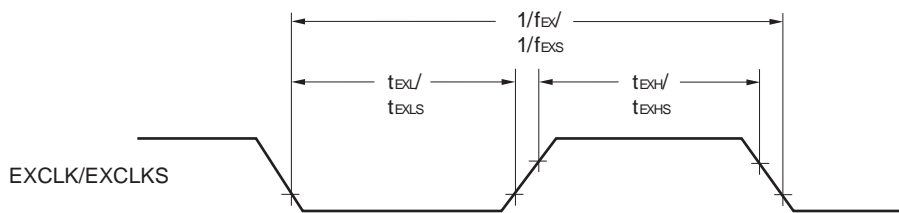




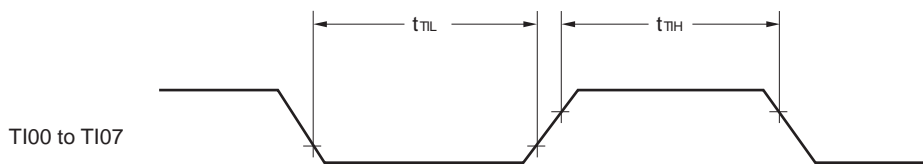
<R> **AC Timing Test Points**



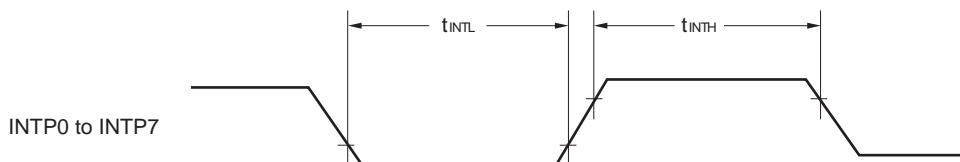
<R> **External System Clock Timing**



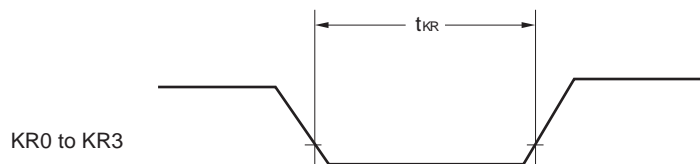
TI/TO Timing



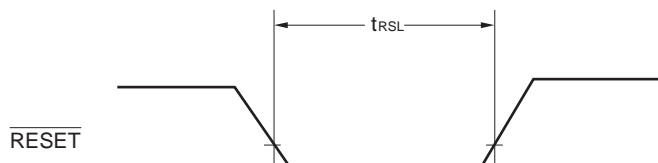
Interrupt Request Input Timing



Key Interrupt Input Timing

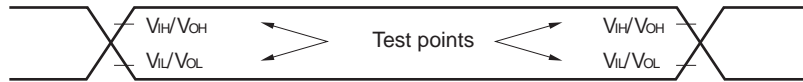


RESET Input Timing



30.5 Peripheral Functions Characteristics

<R> AC Timing Test Points



30.5.1 Serial array unit

(1) During communication at same potential (UART mode)

(T_A = -40 to +85°C, 1.6 V ≤ EV_{DD} = V_{DD} ≤ 5.5 V, V_{SS} = EV_{SS} = 0 V)

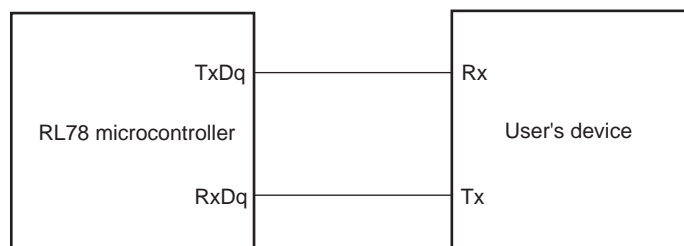
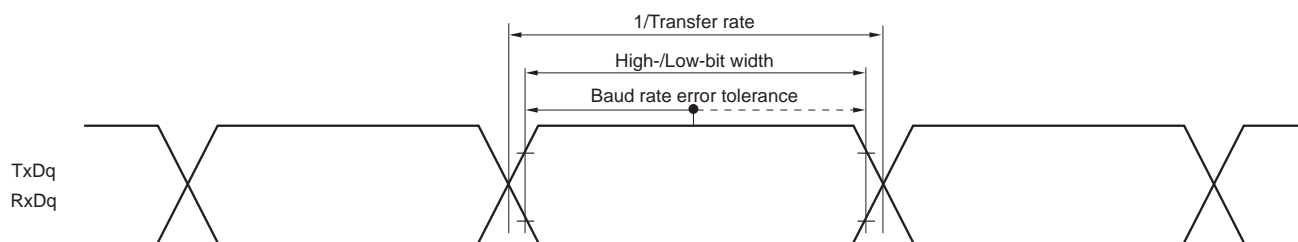
Parameter	Symbol	Conditions	HS (high-speed main) Mode		LS (low-speed main) Mode		LV (low-voltage main) Mode		Unit
			MIN.	MAX.	MIN.	MAX.	MIN.	MAX.	
Transfer rate ^{Note 1}		2.4 V ≤ EV _{DD} = V _{DD} ≤ 5.5 V		f _{MCK} /6		f _{MCK} /6		f _{MCK} /6	bps
		Theoretical value of the maximum transfer rate f _{MCK} = f _{CLK} ^{Note 2}		4.0		1.3		0.6	Mbps
		1.8 V ≤ EV _{DD} = V _{DD} ≤ 5.5 V				f _{MCK} /6		f _{MCK} /6	bps
		Theoretical value of the maximum transfer rate f _{MCK} = f _{CLK} ^{Note 2}				1.3		0.6	Mbps
		1.6 V ≤ EV _{DD} = V _{DD} ≤ 5.5 V						f _{MCK} /6	bps
		Theoretical value of the maximum transfer rate f _{MCK} = f _{CLK} ^{Note 2}						0.6	Mbps

<R> **Notes 1.** Transfer rate in the SNOOZE mode is 4800 bps only.

<R> **2.** The maximum operating frequencies of the CPU/peripheral hardware clock (f_{CLK}) are:

- HS (high-speed main) mode: 24 MHz (2.7 V ≤ V_{DD} ≤ 5.5 V)
- 16 MHz (2.4 V ≤ V_{DD} ≤ 5.5 V)
- LS (low-speed main) mode: 8 MHz (1.8 V ≤ V_{DD} ≤ 5.5 V)
- LV (low-voltage main) mode: 4 MHz (1.6 V ≤ V_{DD} ≤ 5.5 V)

Caution Select the normal input buffer for the Rx_{Dq} pin and the normal output mode for the Tx_{Dq} pin by using port input mode register g (PIMg) and port output mode register g (POMg).

UART mode connection diagram (during communication at same potential)**UART mode bit width (during communication at same potential) (reference)**

- Remarks**
1. q: UART number (q = 0), g: PIM and POM number (g = 1)
 2. f_{MCK} : Serial array unit operation clock frequency
 (Operation clock to be set by the serial clock select register m (SPSm) and the CKSmn bit of serial mode register mn (SMRmn). m: Unit number, n: Channel number (mn = 00, 01))

(2) During communication at same potential (CSI mode) (master mode, SCKp... internal clock output)**(T_A = -40 to +85°C, 1.6 V ≤ EV_{DD} = V_{DD} ≤ 5.5 V, V_{SS} = EV_{SS} = 0 V)**

<R> Parameter	Symbol	Conditions	HS (high-speed main) Mode		LS (low-speed main) Mode		LV (low-voltage main) Mode		Unit
			MIN.	MAX.	MIN.	MAX.	MIN.	MAX.	
SCKp cycle time	t _{KCY1}	2.7 V ≤ EV _{DD} ≤ 5.5 V	167 Note 1		500 Note 1		1000 Note 1		ns
		2.4 V ≤ EV _{DD} ≤ 5.5 V	250 Note 1		500 Note 1		1000 Note 1		ns
		1.8 V ≤ EV _{DD} ≤ 5.5 V			500 Note 1		1000 Note 1		ns
		1.6 V ≤ EV _{DD} ≤ 5.5 V					1000 Note 1		ns
SCKp high-/low-level width	t _{KH1} , t _{KL1}	4.0 V ≤ EV _{DD} ≤ 5.5 V	t _{KCY1} /2 - 12		t _{KCY1} /2 - 50		t _{KCY1} /2 - 50		ns
		2.7 V ≤ EV _{DD} ≤ 5.5 V	t _{KCY1} /2 - 18		t _{KCY1} /2 - 50		t _{KCY1} /2 - 50		ns
		2.4 V ≤ EV _{DD} ≤ 5.5 V	t _{KCY1} /2 - 38		t _{KCY1} /2 - 50		t _{KCY1} /2 - 50		ns
		1.8 V ≤ EV _{DD} ≤ 5.5 V			t _{KCY1} /2 - 50		t _{KCY1} /2 - 50		ns
		1.6 V ≤ EV _{DD} ≤ 5.5 V					t _{KCY1} /2 - 100		ns
Slp setup time (to SCKp↑) Note 2	t _{SIK1}	2.7 V ≤ EV _{DD} ≤ 5.5 V	44		110		110		ns
		2.4 V ≤ EV _{DD} ≤ 5.5 V	75		110		110		ns
		1.8 V ≤ EV _{DD} ≤ 5.5 V			110		110		ns
		1.6 V ≤ EV _{DD} ≤ 5.5 V					220		ns
Slp hold time (from SCKp↑) Note 3	t _{KSI1}	2.4 V ≤ EV _{DD} ≤ 5.5 V	19		19		19		ns
		1.8 V ≤ EV _{DD} ≤ 5.5 V			19		19		
		1.6 V ≤ EV _{DD} ≤ 5.5 V					19		
Delay time from SCKp↓ to SOp output Note 4	t _{KSO1}	C = 30 pF Note 5	2.4 V ≤ EV _{DD} ≤ 5.5 V		25		25		ns
			1.8 V ≤ EV _{DD} ≤ 5.5 V				25		25
			1.6 V ≤ EV _{DD} ≤ 5.5 V						25

Notes 1. For CSI00, set a cycle of 2/f_{MCK} or longer. For CSI01, set a cycle of 4/f_{MCK} or longer.

2. When DAP_{mn} = 0 and CKP_{mn} = 0, or DAP_{mn} = 1 and CKP_{mn} = 1. The Slp setup time becomes “to SCKp↓” when DAP_{mn} = 0 and CKP_{mn} = 1, or DAP_{mn} = 1 and CKP_{mn} = 0.
3. When DAP_{mn} = 0 and CKP_{mn} = 0, or DAP_{mn} = 1 and CKP_{mn} = 1. The Slp hold time becomes “from SCKp↓” when DAP_{mn} = 0 and CKP_{mn} = 1, or DAP_{mn} = 1 and CKP_{mn} = 0.
4. When DAP_{mn} = 0 and CKP_{mn} = 0, or DAP_{mn} = 1 and CKP_{mn} = 1. The delay time to SOp output becomes “from SCKp↑” when DAP_{mn} = 0 and CKP_{mn} = 1, or DAP_{mn} = 1 and CKP_{mn} = 0.
5. C is the load capacitance of the SCKp and SOp output lines.

Caution Select the normal input buffer for the Slp pin and the normal output mode for the SOp pin and SCKp pin by using port input mode register g (PIMg) and port output mode register g (POMg).

(Remarks are listed on the next page.)

Remarks 1. p: CSI number (p = 00, 01), m: Unit number (m = 0), n: Channel number (n = 0, 1),
g: PIM and POM numbers (g = 1)

<R> **2.** f_{MCK}: Serial array unit operation clock frequency
(Operation clock to be set by the serial clock select register m (SPSm) and the CKSmn bit of serial mode register mn (SMRmn).
m: Unit number, n: Channel number (mn = 00, 01))

(3) During communication at same potential (CSI mode) (slave mode, SCKp... external clock input) (1/2)
(T_A = -40 to +85°C, 1.6 V ≤ EV_{DD} = V_{DD} ≤ 5.5 V, V_{SS} = EV_{SS} = 0 V)

Parameter	Symbol	Conditions		HS (high-speed main) Mode		LS (low-speed main) Mode		LV (low-voltage main) Mode		Unit
				MIN.	MAX.	MIN.	MAX.	MIN.	MAX.	
SCKp cycle time Note 5	t _{KCY2}	4.0 V ≤ EV _{DD} ≤ 5.5 V	20 MHz < f _{MCK}	8/f _{MCK}						ns
			f _{MCK} ≤ 20 MHz	6/f _{MCK}		6/f _{MCK}		6/f _{MCK}		ns
		2.7 V ≤ EV _{DD} < 4.0 V	16 MHz < f _{MCK}	8/f _{MCK}						ns
			f _{MCK} ≤ 16 MHz	6/f _{MCK}		6/f _{MCK}		6/f _{MCK}		ns
		2.4 V ≤ EV _{DD} ≤ 5.5 V		6/f _{MCK} and 500		6/f _{MCK}		6/f _{MCK}		ns
		1.8 V ≤ EV _{DD} < 2.4 V				6/f _{MCK}		6/f _{MCK}		ns
1.6 V ≤ EV _{DD} < 1.8 V						6/f _{MCK}		ns		
SCKp high-/low-level width	t _{KH2} , t _{KL2}	4.0 V ≤ EV _{DD} ≤ 5.5 V		t _{KCY2} /2 - 7		t _{KCY2} /2 - 7		t _{KCY2} /2 - 7		ns
		2.7 V ≤ EV _{DD} < 4.0 V		t _{KCY2} /2 - 8		t _{KCY2} /2 - 8		t _{KCY2} /2 - 8		ns
		2.4 V ≤ EV _{DD} < 2.7 V		t _{KCY2} /2 - 18		t _{KCY2} /2 - 18		t _{KCY2} /2 - 18		ns
		1.8 V ≤ EV _{DD} < 2.4 V				t _{KCY2} /2 - 18		t _{KCY2} /2 - 18		ns
		1.6 V ≤ EV _{DD} < 1.8 V						t _{KCY2} /2 - 66		ns
Slp setup time (to SCKp↑) Note 1	t _{SIK2}	2.7 V ≤ EV _{DD} ≤ 5.5 V		1/f _{MCK} + 20		1/f _{MCK} + 30		1/f _{MCK} + 30		ns
		2.4 V ≤ EV _{DD} < 2.7 V		1/f _{MCK} + 30		1/f _{MCK} + 30		1/f _{MCK} + 30		
		1.8 V ≤ EV _{DD} < 2.4 V				1/f _{MCK} + 30		1/f _{MCK} + 30		ns
		1.6 V ≤ EV _{DD} < 1.8 V						1/f _{MCK} + 40		ns
Slp hold time (from SCKp↑) Note 2	t _{SI2}	2.4 V ≤ EV _{DD} ≤ 5.5 V		1/f _{MCK} + 31		1/f _{MCK} + 31		1/f _{MCK} + 31		ns
		1.8 V ≤ EV _{DD} < 2.4 V				1/f _{MCK} + 31		1/f _{MCK} + 31		ns
		1.6 V ≤ EV _{DD} < 1.8 V						1/f _{MCK} + 250		ns

(Notes, Caution, and Remarks are listed on the next page.)

(3) During communication at same potential (CSI mode) (slave mode, SCKp... external clock input) (2/2)
(T_A = -40 to +85°C, 1.6 V ≤ EV_{DD} = V_{DD} ≤ 5.5 V, V_{SS} = EV_{SS} = 0 V)

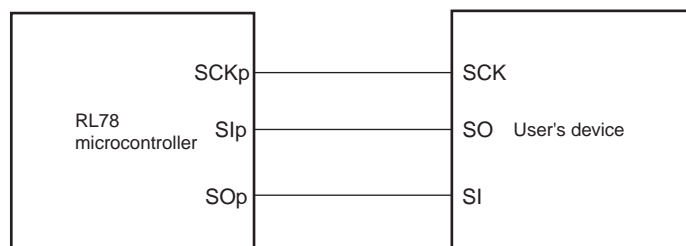
<R>	Parameter	Symbol	Conditions	HS (high-speed main) Mode	LS (low-speed main) Mode	LV (low-voltage main) Mode	Unit	Parameter	Symbol	Conditions	
	Delay time from SCKp↓ to SOp output ^{Note 3}	t _{KSO2}	C = 30 pF ^{Note 4}	4.0 V ≤ EV _{DD} ≤ 5.5 V			2/f _{MCK} + 44		2/f _{MCK} + 110	2/f _{MCK} + 110	ns
				2.7 V ≤ EV _{DD} < 4.0 V			2/f _{MCK} + 44		2/f _{MCK} + 110	2/f _{MCK} + 110	ns
				2.4 V ≤ EV _{DD} < 2.7 V			2/f _{MCK} + 75		2/f _{MCK} + 110	2/f _{MCK} + 110	ns
				1.8 V ≤ EV _{DD} < 2.4 V					2/f _{MCK} + 110	2/f _{MCK} + 110	ns
				1.6 V ≤ EV _{DD} < 1.8 V						2/f _{MCK} + 220	ns

- Notes**
1. When DAP_{mn} = 0 and CKP_{mn} = 0, or DAP_{mn} = 1 and CKP_{mn} = 1. The SIp setup time becomes “to SCKp↓” when DAP_{mn} = 0 and CKP_{mn} = 1, or DAP_{mn} = 1 and CKP_{mn} = 0.
 2. When DAP_{mn} = 0 and CKP_{mn} = 0, or DAP_{mn} = 1 and CKP_{mn} = 1. The SIp hold time becomes “from SCKp↓” when DAP_{mn} = 0 and CKP_{mn} = 1, or DAP_{mn} = 1 and CKP_{mn} = 0.
 3. When DAP_{mn} = 0 and CKP_{mn} = 0, or DAP_{mn} = 1 and CKP_{mn} = 1. The delay time to SOp output becomes “from SCKp↑” when DAP_{mn} = 0 and CKP_{mn} = 1, or DAP_{mn} = 1 and CKP_{mn} = 0.
 4. C is the load capacitance of the SCKp and SOp output lines.
 5. Transfer rate in the SNOOZE mode : MAX. 1 Mbps

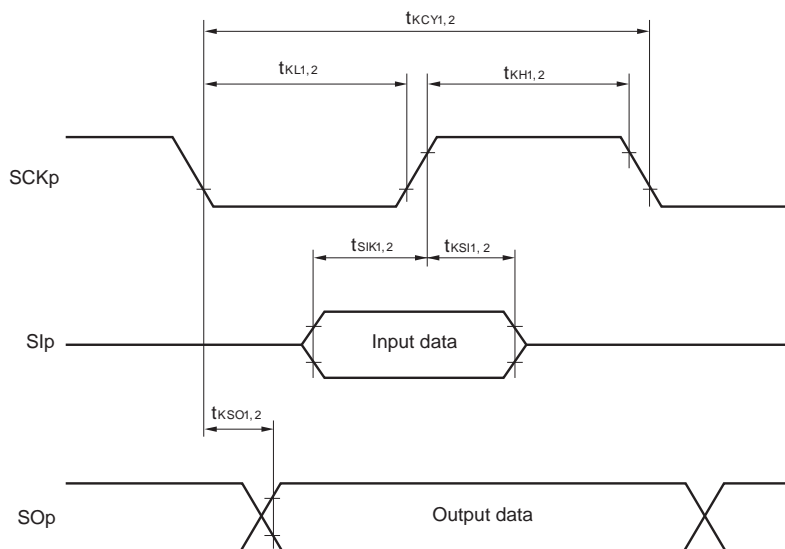
Caution Select the normal input buffer for the SIp pin and SCKp pin and the normal output mode for the SOp pin by using port input mode register g (PIMg) and port output mode register g (POMg).

- Remarks**
1. p: CSI number (p = 00, 01), m: Unit number (m = 0), n: Channel number (n = 0, 1), g: PIM number (g = 1)
 2. f_{MCK}: Serial array unit operation clock frequency
 (Operation clock to be set by the serial clock select register m (SPSm) and the CKSmn bit of serial mode register mn (SMRmn). m: Unit number, n: Channel number (mn = 00, 01))

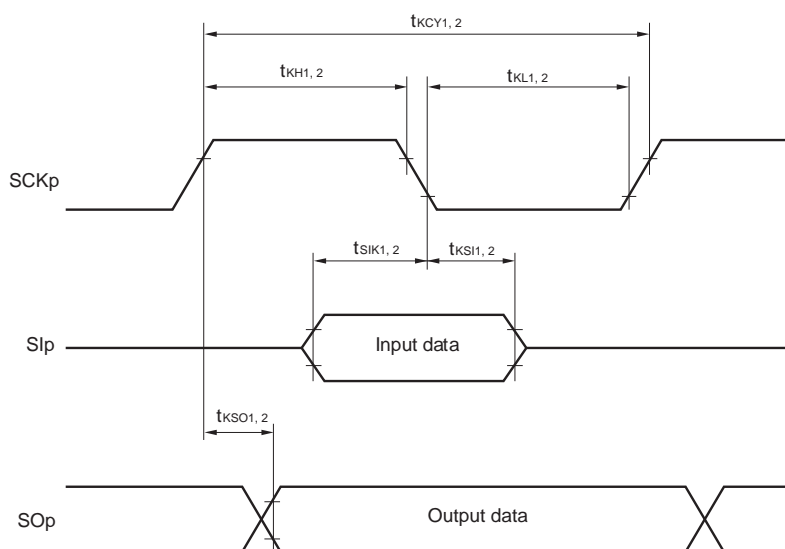
CSI mode connection diagram (during communication at same potential)



**CSI mode serial transfer timing (during communication at same potential)
(When DAPmn = 0 and CKPmn = 0, or DAPmn = 1 and CKPmn = 1.)**



**CSI mode serial transfer timing (during communication at same potential)
(When DAPmn = 0 and CKPmn = 1, or DAPmn = 1 and CKPmn = 0.)**



- Remarks 1. p: CSI number (p = 00, 01)
- 2. m: Unit number, n: Channel number (mn = 00, 01)

(4) Communication at different potential (1.8 V, 2.5 V, 3 V) (UART mode)

(1/2)

(T_A = -40 to +85°C, 1.8 V ≤ EV_{DD} = V_{DD} ≤ 5.5 V, V_{SS} = EV_{SS} = 0 V)

Parameter	Symbol	Conditions	HS (high-speed main) Mode		LS (low-speed main) Mode		LV (low-voltage main) Mode		Unit	
			MIN.	MAX.	MIN.	MAX.	MIN.	MAX.		
<R>	Transfer rate	Reception	4.0 V ≤ EV _{DD} ≤ 5.5 V, 2.7 V ≤ V _b ≤ 4.0 V		f _{MCK} /6 Note 1		f _{MCK} /6 Note 1		f _{MCK} /6 Note 1	bps
					4.0		1.3		0.6	Mbps
			Theoretical value of the maximum transfer rate f _{MCK} = f _{CLK} Note 3		4.0		1.3		0.6	Mbps
			2.7 V ≤ EV _{DD} < 4.0 V, 2.3 V ≤ V _b ≤ 2.7 V		f _{MCK} /6 Note 1		f _{MCK} /6 Note 1		f _{MCK} /6 Note 1	bps
					4.0		1.3		0.6	Mbps
			Theoretical value of the maximum transfer rate f _{MCK} = f _{CLK} Note 3		4.0		1.3		0.6	Mbps
			2.4 V ≤ EV _{DD} < 3.3 V, 1.6 V ≤ V _b ≤ 2.0 V		f _{MCK} /6 Note 1		f _{MCK} /6 Note 1		f _{MCK} /6 Note 1	bps
					4.0		1.3		0.6	Mbps
	Theoretical value of the maximum transfer rate f _{MCK} = f _{CLK} Note 3		4.0		1.3		0.6	Mbps		
	1.8 V ≤ EV _{DD} < 3.3 V, 1.6 V ≤ V _b ≤ 2.0 V				f _{MCK} /6 Notes 1,2		f _{MCK} /6 Notes 1,2	bps		
					1.3		0.6	Mbps		
	Theoretical value of the maximum transfer rate f _{MCK} = f _{CLK} Note 3				1.3		0.6	Mbps		

<R> **Notes 1.** Transfer rate in the SNOOZE mode is 4800 bps only.

2. Use it with EV_{DD} ≥ V_b.

<R> **3.** The maximum operating frequencies of the CPU/peripheral hardware clock (f_{CLK}) are:

HS (high-speed main) mode: 24 MHz (2.7 V ≤ V_{DD} ≤ 5.5 V)

16 MHz (2.4 V ≤ V_{DD} ≤ 5.5 V)

LS (low-speed main) mode: 8 MHz (1.8 V ≤ V_{DD} ≤ 5.5 V)

LV (low-voltage main) mode: 4 MHz (1.6 V ≤ V_{DD} ≤ 5.5 V)

Caution Select the TTL input buffer for the RxDq pin and the N-ch open drain output (V_{DD} tolerance (32-pin to 52-pin products)/EV_{DD} tolerance (64-pin products)) mode for the TxDq pin by using port input mode register g (PIMg) and port output mode register g (POMg). For V_{IH} and V_{IL}, see the DC characteristics with TTL input buffer selected.

Remarks 1. V_b[V]: Communication line voltage

2. q: UART number (q = 0), g: PIM and POM number (g = 1)

<R> **3.** f_{MCK}: Serial array unit operation clock frequency

(Operation clock to be set by the serial clock select register m (SPSm) and the CKSmn bit of serial mode register mn (SMRmn). m: Unit number, n: Channel number (mn = 00, 01))

(4) Communication at different potential (1.8 V, 2.5 V, 3 V) (UART mode)

(2/2)

(T_A = -40 to +85°C, 1.8 V ≤ E_{VDD} = V_{DD} ≤ 5.5 V, V_{SS} = E_{VSS} = 0 V)

Parameter	Symbol	Conditions	HS (high-speed main) Mode		LS (low-speed main) Mode		LV (low-voltage main) Mode		Unit	
			MIN.	MAX.	MIN.	MAX.	MIN.	MAX.		
<R>	Transfer rate	Transmission	4.0 V ≤ E _{VDD} ≤ 5.5 V, 2.7 V ≤ V _b ≤ 4.0 V		Note 1		Note 1		Note 1	bps
			Theoretical value of the maximum transfer rate C _b = 50 pF, R _b = 1.4 kΩ, V _b = 2.7 V		2.8 Note 2		2.8 Note 2		2.8 Note 2	Mbps
			2.7 V ≤ E _{VDD} < 4.0 V, 2.3 V ≤ V _b ≤ 2.7 V		Note 3		Note 3		Note 3	bps
			Theoretical value of the maximum transfer rate C _b = 50 pF, R _b = 2.7 kΩ, V _b = 2.3 V		1.2 Note 4		1.2 Note 4		1.2 Note 4	Mbps
			2.4 V ≤ E _{VDD} < 3.3 V, 1.6 V ≤ V _b ≤ 2.0 V		Note 6		Note 6		Note 6	bps
			Theoretical value of the maximum transfer rate C _b = 50 pF, R _b = 5.5 kΩ, V _b = 1.6 V		0.43 Note 7		0.43 Note 7		0.43 Note 7	Mbps
			1.8 V ≤ E _{VDD} < 3.3 V, 1.6 V ≤ V _b ≤ 2.0 V				Notes 5, 6		Notes 5, 6	bps
			Theoretical value of the maximum transfer rate C _b = 50 pF, R _b = 5.5 kΩ, V _b = 1.6 V				0.43 Note 7		0.43 Note 7	Mbps

Notes 1. The smaller maximum transfer rate derived by using f_{MCK}/6 or the following expression is the valid maximum transfer rate.

Expression for calculating the transfer rate when 4.0 V ≤ E_{VDD} ≤ 5.5 V and 2.7 V ≤ V_b ≤ 4.0 V

$$\text{Maximum transfer rate} = \frac{1}{\{-C_b \times R_b \times \ln(1 - \frac{2.2}{V_b})\} \times 3} \text{ [bps]}$$

$$\text{Baud rate error (theoretical value)} = \frac{\frac{1}{\text{Transfer rate} \times 2} - \{-C_b \times R_b \times \ln(1 - \frac{2.2}{V_b})\}}{\frac{1}{(\text{Transfer rate})} \times \text{Number of transferred bits}} \times 100 \text{ [%]}$$

* This value is the theoretical value of the relative difference between the transmission and reception sides.

2. This value as an example is calculated when the conditions described in the "Conditions" column are met. Refer to Note 1 above to calculate the maximum transfer rate under conditions of the customer.

3. The smaller maximum transfer rate derived by using $f_{MCK}/6$ or the following expression is the valid maximum transfer rate.

Expression for calculating the transfer rate when $2.7\text{ V} \leq EV_{DD} < 4.0\text{ V}$ and $2.3\text{ V} \leq V_b \leq 2.7\text{ V}$

$$\text{Maximum transfer rate} = \frac{1}{\{-C_b \times R_b \times \ln(1 - \frac{2.0}{V_b})\} \times 3} \text{ [bps]}$$

$$\text{Baud rate error (theoretical value)} = \frac{\frac{1}{\text{Transfer rate} \times 2} - \{-C_b \times R_b \times \ln(1 - \frac{2.0}{V_b})\}}{(\frac{1}{\text{Transfer rate}}) \times \text{Number of transferred bits}} \times 100 \text{ [%]}$$

* This value is the theoretical value of the relative difference between the transmission and reception sides.

4. This value as an example is calculated when the conditions described in the “Conditions” column are met. Refer to Note 3 above to calculate the maximum transfer rate under conditions of the customer.
5. Use it with $EV_{DD} \geq V_b$.
6. The smaller maximum transfer rate derived by using $f_{MCK}/6$ or the following expression is the valid maximum transfer rate.

Expression for calculating the transfer rate when $1.8\text{ V} \leq EV_{DD} < 3.3\text{ V}$ and $1.6\text{ V} \leq V_b \leq 2.0\text{ V}$

$$\text{Maximum transfer rate} = \frac{1}{\{-C_b \times R_b \times \ln(1 - \frac{1.5}{V_b})\} \times 3} \text{ [bps]}$$

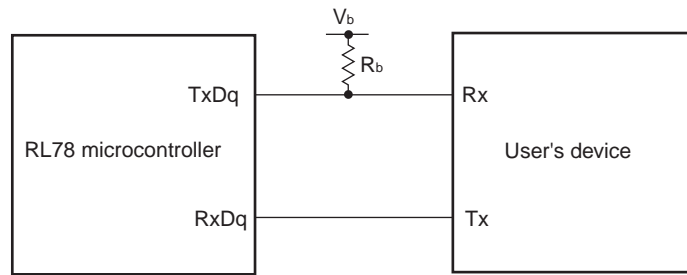
$$\text{Baud rate error (theoretical value)} = \frac{\frac{1}{\text{Transfer rate} \times 2} - \{-C_b \times R_b \times \ln(1 - \frac{1.5}{V_b})\}}{(\frac{1}{\text{Transfer rate}}) \times \text{Number of transferred bits}} \times 100 \text{ [%]}$$

* This value is the theoretical value of the relative difference between the transmission and reception sides.

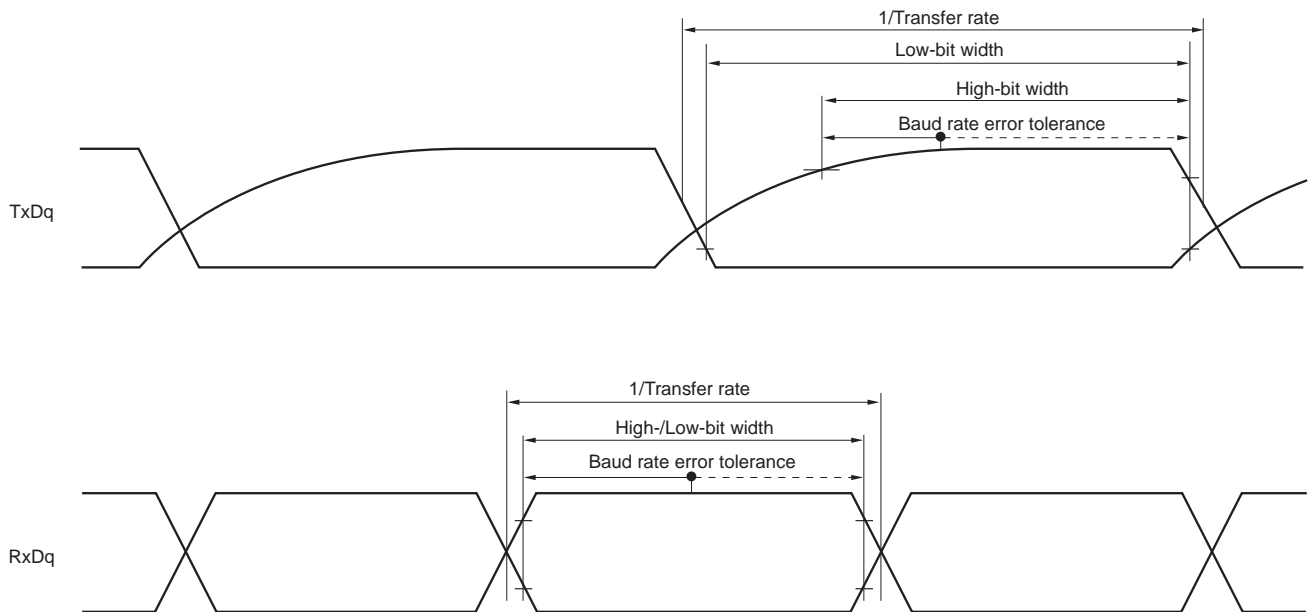
7. This value as an example is calculated when the conditions described in the “Conditions” column are met. Refer to Note 6 above to calculate the maximum transfer rate under conditions of the customer.

Caution Select the TTL input buffer for the RxDq pin and the N-ch open drain output (V_{DD} tolerance (32-pin to 52-pin products)/ EV_{DD} tolerance (64-pin products)) mode for the TxDq pin by using port input mode register g (PIMg) and port output mode register g (POMg). For V_{IH} and V_{IL} , see the DC characteristics with TTL input buffer selected.

UART mode connection diagram (during communication at different potential)



UART mode bit width (during communication at different potential) (reference)



Remarks 1. R_b[Ω]: Communication line (TxDq) pull-up resistance,
 C_b[F]: Communication line (TxDq) load capacitance, V_b[V]: Communication line voltage

2. q: UART number (q = 0, 1), g: PIM and POM number (g = 1)

3. f_{MCk}: Serial array unit operation clock frequency
 (Operation clock to be set by the serial clock select register m (SPSm) and the CKSmn bit of serial mode register mn (SMRmn). m: Unit number, n: Channel number (mn = 00, 01))

<R>

(5) Communication at different potential (2.5 V, 3 V) (CSI mode) (master mode, SCKp... internal clock output, corresponding CSI00 only)**(T_A = -40 to +85°C, 2.7 V ≤ EV_{DD} = V_{DD} ≤ 5.5 V, V_{SS} = EV_{SS} = 0 V)**

Parameter	Symbol	Conditions	HS (high-speed main) Mode		LS (low-speed main) Mode		LV (low-voltage main) Mode		Unit
			MIN.	MAX.	MIN.	MAX.	MIN.	MAX.	
<R> SCKp cycle time	t _{KCY1}	t _{KCY1} ≥ 2/f _{CLK} 4.0 V ≤ EV _{DD} ≤ 5.5 V, 2.7 V ≤ V _b ≤ 4.0 V, C _b = 20 pF, R _b = 1.4 kΩ	200 Note 1		1150 Note 1		1150 Note 1		ns
		2.7 V ≤ EV _{DD} < 4.0 V, 2.3 V ≤ V _b ≤ 2.7 V, C _b = 20 pF, R _b = 2.7 kΩ	300 Note 1		1150 Note 1		1150 Note 1		ns
SCKp high-level width	t _{KH1}	4.0 V ≤ EV _{DD} ≤ 5.5 V, 2.7 V ≤ V _b ≤ 4.0 V, C _b = 20 pF, R _b = 1.4 kΩ	t _{KCY1} /2 - 50		t _{KCY1} /2 - 50		t _{KCY1} /2 - 50		ns
		2.7 V ≤ EV _{DD} < 4.0 V, 2.3 V ≤ V _b ≤ 2.7 V, C _b = 20 pF, R _b = 2.7 kΩ	t _{KCY1} /2 - 120		t _{KCY1} /2 - 120		t _{KCY1} /2 - 120		ns
SCKp low-level width	t _{KL1}	4.0 V ≤ EV _{DD} ≤ 5.5 V, 2.7 V ≤ V _b ≤ 4.0 V, C _b = 20 pF, R _b = 1.4 kΩ	t _{KCY1} /2 - 7		t _{KCY1} /2 - 50		t _{KCY1} /2 - 50		ns
		2.7 V ≤ EV _{DD} < 4.0 V, 2.3 V ≤ V _b ≤ 2.7 V, C _b = 20 pF, R _b = 2.7 kΩ	t _{KCY1} /2 - 10		t _{KCY1} /2 - 50		t _{KCY1} /2 - 50		ns
Slp setup time (to SCKp↑) ^{Note 2}	t _{SIK1}	4.0 V ≤ EV _{DD} ≤ 5.5 V, 2.7 V ≤ V _b ≤ 4.0 V, C _b = 20 pF, R _b = 1.4 kΩ	58		479		479		ns
		2.7 V ≤ EV _{DD} < 4.0 V, 2.3 V ≤ V _b ≤ 2.7 V, C _b = 20 pF, R _b = 2.7 kΩ	121		479		479		ns
Slp hold time (from SCKp↑) ^{Note 2}	t _{KSI1}	4.0 V ≤ EV _{DD} ≤ 5.5 V, 2.7 V ≤ V _b ≤ 4.0 V, C _b = 20 pF, R _b = 1.4 kΩ	10		10		10		ns
		2.7 V ≤ EV _{DD} < 4.0 V, 2.3 V ≤ V _b ≤ 2.7 V, C _b = 20 pF, R _b = 2.7 kΩ	10		10		10		ns
Delay time from SCKp↓ to SOp output ^{Note 2}	t _{KSO1}	4.0 V ≤ EV _{DD} ≤ 5.5 V, 2.7 V ≤ V _b ≤ 4.0 V, C _b = 20 pF, R _b = 1.4 kΩ		60		60		60	ns
		2.7 V ≤ EV _{DD} < 4.0 V, 2.3 V ≤ V _b ≤ 2.7 V, C _b = 20 pF, R _b = 2.7 kΩ		130		130		130	ns
Slp setup time (to SCKp↓) ^{Note 3}	t _{SIK1}	4.0 V ≤ EV _{DD} ≤ 5.5 V, 2.7 V ≤ V _b ≤ 4.0 V, C _b = 20 pF, R _b = 1.4 kΩ	23		110		110		ns
		2.7 V ≤ EV _{DD} < 4.0 V, 2.3 V ≤ V _b ≤ 2.7 V, C _b = 20 pF, R _b = 2.7 kΩ	33		110		110		ns
Slp hold time (from SCKp↓) ^{Note 3}	t _{KSI1}	4.0 V ≤ EV _{DD} ≤ 5.5 V, 2.7 V ≤ V _b ≤ 4.0 V, C _b = 20 pF, R _b = 1.4 kΩ	10		10		10		ns
		2.7 V ≤ EV _{DD} < 4.0 V, 2.3 V ≤ V _b ≤ 2.7 V, C _b = 20 pF, R _b = 2.7 kΩ	10		10		10		ns
Delay time from SCKp↑ to SOp output ^{Note 3}	t _{KSO1}	4.0 V ≤ EV _{DD} ≤ 5.5 V, 2.7 V ≤ V _b ≤ 4.0 V, C _b = 20 pF, R _b = 1.4 kΩ		10		10		10	ns
		2.7 V ≤ EV _{DD} < 4.0 V, 2.3 V ≤ V _b ≤ 2.7 V, C _b = 20 pF, R _b = 2.7 kΩ		10		10		10	ns

(Notes, Caution and Remarks are listed on the next page.)

- <R> **Notes**
1. For CSI00, set a cycle of $2/f_{MCK}$ or longer. For CSI01, set a cycle of $4/f_{MCK}$ or longer.
 2. When DAP_{mn} = 0 and CKP_{mn} = 0, or DAP_{mn} = 1 and CKP_{mn} = 1.
 3. When DAP_{mn} = 0 and CKP_{mn} = 1, or DAP_{mn} = 1 and CKP_{mn} = 0.

<R> **Caution** Select the TTL input buffer for the SIp pin and the N-ch open drain output (V_{DD} tolerance (32-pin to 52-pin products)/EV_{DD} tolerance (64-pin products)) mode for the SOp pin and SCKp pin by using port input mode register g (PIMg) and port output mode register g (POMg). For V_{IH} and V_{IL}, see the DC characteristics with TTL input buffer selected.

Remarks

1. R_b[Ω]: Communication line (SCKp, SOp) pull-up resistance, C_b[F]: Communication line (SCKp, SOp) load capacitance, V_b[V]: Communication line voltage

2. p: CSI number (p = 00, 01), m: Unit number (m = 0), n: Channel number (n = 0, 1),
g: PIM and POM number (g = 1)

- <R>
3. f_{MCK}: Serial array unit operation clock frequency
(Operation clock to be set by the serial clock select register m (SPSm) and the CKS_{mn} bit of serial mode register mn (SMR_{mn}). m: Unit number, n: Channel number (mn = 00, 01))

(6) Communication at different potential (1.8 V, 2.5 V, 3 V) (CSI mode) (master mode, SCKp... internal clock output) (1/3)
(T_A = -40 to +85°C, 1.8 V ≤ EV_{DD} = V_{DD} ≤ 5.5 V, V_{SS} = EV_{SS} = 0 V)

<R> Parameter	Symbol	Conditions	HS (high-speed main) Mode		LS (low-speed main) Mode		LV (low-voltage main) Mode		Unit
			MIN.	MAX.	MIN.	MAX.	MIN.	MAX.	
SCKp cycle time	t _{KCY1}	t _{KCY1} ≥ 4/f _{CLK} 4.0 V ≤ EV _{DD} ≤ 5.5 V, 2.7 V ≤ V _b ≤ 4.0 V, C _b = 30 pF, R _b = 1.4 kΩ	300		1150		1150		ns
			500		1150		1150		ns
			1150		1150		1150		ns
					1150		1150		ns
SCKp high-level width	t _{KH1}	4.0 V ≤ EV _{DD} ≤ 5.5 V, 2.7 V ≤ V _b ≤ 4.0 V, C _b = 30 pF, R _b = 1.4 kΩ	t _{KCY1} /2	- 75	t _{KCY1} /2	- 75	t _{KCY1} /2	- 75	ns
			t _{KCY1} /2	- 170	t _{KCY1} /2	- 170	t _{KCY1} /2	- 170	ns
			t _{KCY1} /2	- 458	t _{KCY1} /2	- 458	t _{KCY1} /2	- 458	ns
					t _{KCY1} /2	- 458	t _{KCY1} /2	- 458	ns
SCKp low-level width	t _{KL1}	4.0 V ≤ EV _{DD} ≤ 5.5 V, 2.7 V ≤ V _b ≤ 4.0 V, C _b = 30 pF, R _b = 1.4 kΩ	t _{KCY1} /2	- 12	t _{KCY1} /2	- 50	t _{KCY1} /2	- 50	ns
			t _{KCY1} /2	- 18	t _{KCY1} /2	- 50	t _{KCY1} /2	- 50	ns
			t _{KCY1} /2	- 50	t _{KCY1} /2	- 50	t _{KCY1} /2	- 50	ns
					t _{KCY1} /2	- 50	t _{KCY1} /2	- 50	ns

<R> **Note** Use it with EV_{DD} ≥ V_b.

Caution Select the TTL input buffer for the SIp pin and the N-ch open drain output (V_{DD} tolerance (32-pin to 52-pin products)/EV_{DD} tolerance (64-pin products)) mode for the SOp pin and SCKp pin by using port input mode register g (PIMg) and port output mode register g (POMg). For V_{IH} and V_{IL}, see the DC characteristics with TTL input buffer selected.

(6) Communication at different potential (1.8 V, 2.5 V, 3 V) (CSI mode) (master mode, SCKp... internal clock output) (2/3)
(T_A = -40 to +85°C, 1.8 V ≤ EV_{DD} = V_{DD} ≤ 5.5 V, V_{SS} = EV_{SS} = 0 V)

<R> Parameter	Symbol	Conditions	HS (high-speed main) Mode		LS (low-speed main) Mode		LV (low-voltage main) Mode		Unit
			MIN.	MAX.	MIN.	MAX.	MIN.	MAX.	
			Slp setup time (to SCKp↑) ^{Note 1}	t _{SIK1}	4.0 V ≤ EV _{DD} ≤ 5.5 V, 2.7 V ≤ V _b ≤ 4.0 V, C _b = 30 pF, R _b = 1.4 kΩ	81		479	
		2.7 V ≤ EV _{DD} < 4.0 V, 2.3 V ≤ V _b ≤ 2.7 V, C _b = 30 pF, R _b = 2.7 kΩ	177		479		479		ns
		2.4 V ≤ EV _{DD} < 3.3 V, 1.6 V ≤ V _b ≤ 2.0 V, C _b = 30 pF, R _b = 5.5 kΩ	479		479		479		ns
		1.8 V ≤ EV _{DD} < 3.3 V, 1.6 V ≤ V _b ≤ 2.0 V ^{Note 3} , C _b = 30 pF, R _b = 5.5 kΩ			479		479		ns
Slp hold time (from SCKp↑) ^{Note 1}	t _{KS1}	4.0 V ≤ EV _{DD} ≤ 5.5 V, 2.7 V ≤ V _b ≤ 4.0 V, C _b = 30 pF, R _b = 1.4 kΩ	19		19		19		ns
		2.7 V ≤ EV _{DD} < 4.0 V, 2.3 V ≤ V _b ≤ 2.7 V, C _b = 30 pF, R _b = 2.7 kΩ	19		19		19		ns
		2.4 V ≤ EV _{DD} < 3.3 V, 1.6 V ≤ V _b ≤ 2.0 V, C _b = 30 pF, R _b = 5.5 kΩ	19		19		19		ns
		1.8 V ≤ EV _{DD} < 3.3 V, 1.6 V ≤ V _b ≤ 2.0 V ^{Note 3} , C _b = 30 pF, R _b = 5.5 kΩ			19		19		ns
Delay time from SCKp↓ to SOp output ^{Note 1}	t _{KSO1}	4.0 V ≤ EV _{DD} ≤ 5.5 V, 2.7 V ≤ V _b ≤ 4.0 V, C _b = 30 pF, R _b = 1.4 kΩ		100		100		100	ns
		2.7 V ≤ EV _{DD} < 4.0 V, 2.3 V ≤ V _b ≤ 2.7 V, C _b = 30 pF, R _b = 2.7 kΩ		195		195		195	ns
		2.4 V ≤ EV _{DD} < 4.0 V, 2.3 V ≤ V _b ≤ 2.7 V, C _b = 30 pF, R _b = 2.7 kΩ		483		483		483	ns
		1.8 V ≤ EV _{DD} < 3.3 V, 1.6 V ≤ V _b ≤ 2.0 V ^{Note 3} , C _b = 30 pF, R _b = 5.5 kΩ				483		483	ns
Slp setup time (to SCKp↓) ^{Note 2}	t _{SIK1}	4.0 V ≤ EV _{DD} ≤ 5.5 V, 2.7 V ≤ V _b ≤ 4.0 V, C _b = 30 pF, R _b = 1.4 kΩ	44		110		110		ns
		2.7 V ≤ EV _{DD} < 4.0 V, 2.3 V ≤ V _b ≤ 2.7 V, C _b = 30 pF, R _b = 2.7 kΩ	44		110		110		ns
		2.4 V ≤ EV _{DD} < 4.0 V, 2.3 V ≤ V _b ≤ 2.7 V, C _b = 30 pF, R _b = 2.7 kΩ	110		110		110		ns
		1.8 V ≤ EV _{DD} < 3.3 V, 1.6 V ≤ V _b ≤ 2.0 V ^{Note 3} , C _b = 30 pF, R _b = 5.5 kΩ			110		110		ns

<R> **Notes** 1. When DAPmn = 0 and CKPmn = 0, or DAPmn = 1 and CKPmn = 1.

<R> 2. When DAPmn = 0 and CKPmn = 1, or DAPmn = 1 and CKPmn = 0.

<R> 3. Use it with EV_{DD} ≥ V_b.

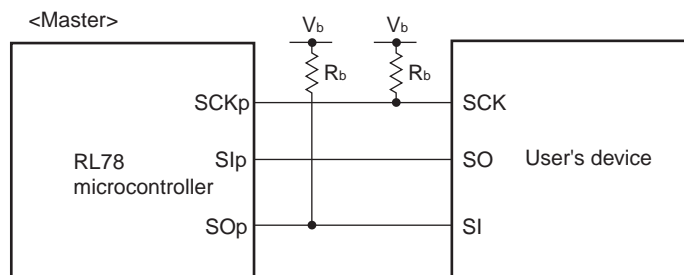
Caution Select the TTL input buffer for the Slp pin and the N-ch open drain output (V_{DD} tolerance (32-pin to 52-pin products)/EV_{DD} tolerance (64-pin products)) mode for the SOp pin and SCKp pin by using port input mode register g (PIMg) and port output mode register g (POMg). For V_{IH} and V_{IL}, see the DC characteristics with TTL input buffer selected.

(6) Communication at different potential (1.8 V, 2.5 V, 3 V) (CSI mode) (master mode, SCKp... internal clock output) (3/3)
(T_A = -40 to +85°C, 1.8 V ≤ EV_{DD} = V_{DD} ≤ 5.5 V, V_{SS} = EV_{SS} = 0 V)

<R>	Parameter	Symbol	Conditions	HS (high-speed main) Mode		LS (low-speed main) Mode		LV (low-voltage main) Mode		Unit
				MIN.	MAX.	MIN.	MAX.	MIN.	MAX.	
Slp hold time (from SCKp↓) ^{Note 2}	t _{KS1}	4.0 V ≤ EV _{DD} ≤ 5.5 V, 2.7 V ≤ V _b ≤ 4.0 V, C _b = 30 pF, R _b = 1.4 kΩ	19		19		19		ns	
		2.7 V ≤ EV _{DD} < 4.0 V, 2.3 V ≤ V _b ≤ 2.7 V, C _b = 30 pF, R _b = 2.7 kΩ	19		19		19		ns	
		2.4 V ≤ EV _{DD} < 3.3 V, 1.6 V ≤ V _b ≤ 2.0 V, C _b = 30 pF, R _b = 5.5 kΩ	19		19		19		ns	
		1.8 V ≤ EV _{DD} < 3.3 V, 1.6 V ≤ V _b ≤ 2.0 V ^{Note 3} , C _b = 30 pF, R _b = 5.5 kΩ			19		19		ns	
Delay time from SCKp↑ to SOp output ^{Note 2}	t _{KSO1}	4.0 V ≤ EV _{DD} ≤ 5.5 V, 2.7 V ≤ V _b ≤ 4.0 V, C _b = 30 pF, R _b = 1.4 kΩ		25		25		25	ns	
		2.7 V ≤ EV _{DD} < 4.0 V, 2.3 V ≤ V _b ≤ 2.7 V, C _b = 30 pF, R _b = 2.7 kΩ		25		25		25	ns	
		2.4 V ≤ EV _{DD} < 3.3 V, 1.6 V ≤ V _b ≤ 2.0 V, C _b = 30 pF, R _b = 5.5 kΩ		25		25		25	ns	
		1.8 V ≤ EV _{DD} < 3.3 V, 1.6 V ≤ V _b ≤ 2.0 V ^{Note 3} , C _b = 30 pF, R _b = 5.5 kΩ				25		25	ns	

- Notes**
1. When DAPmn = 0 and CKPmn = 0, or DAPmn = 1 and CKPmn = 1.
 2. When DAPmn = 0 and CKPmn = 1, or DAPmn = 1 and CKPmn = 0.
 3. Use it with EV_{DD} ≥ V_b.

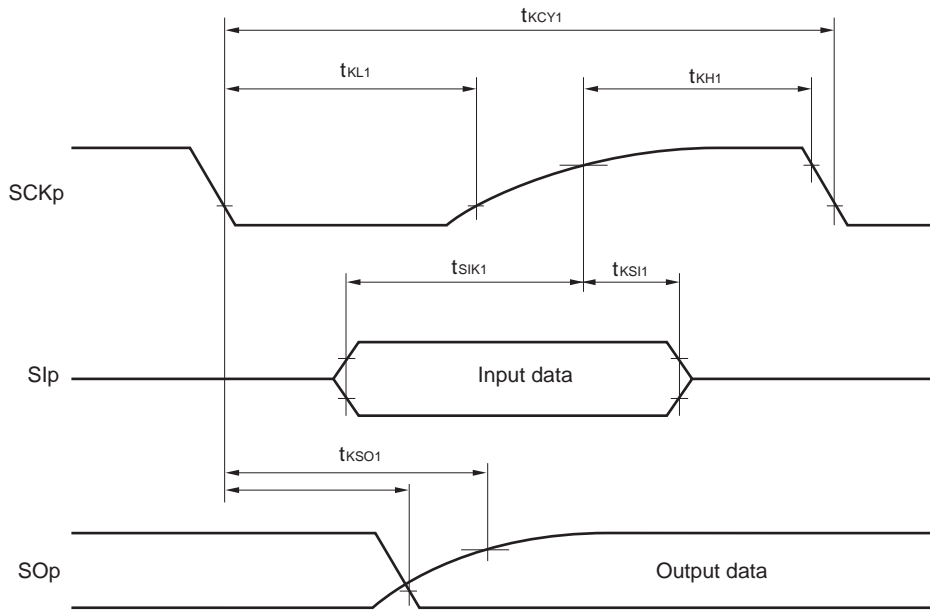
Caution Select the TTL input buffer for the Slp pin and the N-ch open drain output (V_{DD} tolerance (32-pin to 52-pin products)/EV_{DD} tolerance (64-pin products)) mode for the SOp pin and SCKp pin by using port input mode register g (PIMg) and port output mode register g (POMg). For V_{IH} and V_{IL}, see the DC characteristics with TTL input buffer selected.

CSI mode connection diagram (during communication at different potential)

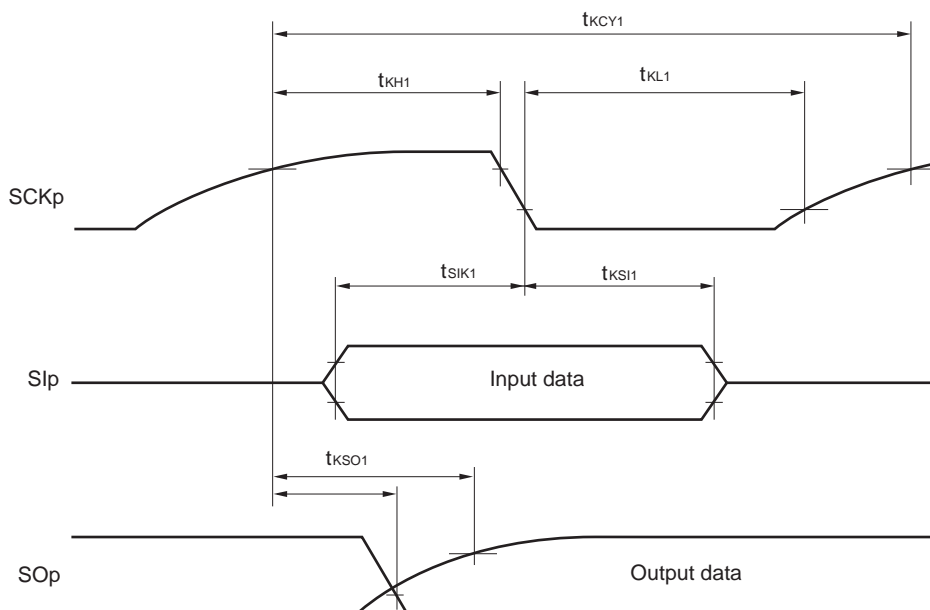
- Remarks**
1. $R_b[\Omega]$: Communication line (SCKp, SOp) pull-up resistance, $C_b[F]$: Communication line (SCKp, SOp) load capacitance, $V_b[V]$: Communication line voltage
 2. p: CSI number (p = 00, 01), m: Unit number (m = 0), n: Channel number (n = 0, 1), g: PIM and POM number (g = 1)
 3. f_{MCK} : Serial array unit operation clock frequency
(Operation clock to be set by the serial clock select register m (SPSm) and the CKSmn bit of serial mode register mn (SMRmn). m: Unit number, n: Channel number (mn = 00, 01))

<R>

**CSI mode serial transfer timing (master mode) (during communication at different potential)
(When DAPmn = 0 and CKPmn = 0, or DAPmn = 1 and CKPmn = 1.)**



**CSI mode serial transfer timing (master mode) (during communication at different potential)
(When DAPmn = 0 and CKPmn = 1, or DAPmn = 1 and CKPmn = 0.)**



Remark p: CSI number (p = 00, 01), m: Unit number (m = 0), n: Channel number (n = 0, 1),
g: PIM and POM number (g = 1)

(7) Communication at different potential (1.8 V, 2.5 V, 3 V) (CSI mode) (slave mode, SCKp... external clock input)
(T_A = -40 to +85°C, 1.8 V ≤ EV_{DD} = V_{DD} ≤ 5.5 V, V_{SS} = EV_{SS} = 0 V) (1/2)

Parameter	Symbol	Conditions	HS (high-speed main) mode		LS (low-speed main) mode		LV (low-voltage main) mode		Unit
			MIN.	MAX.	MIN.	MAX.	MIN.	MAX.	
SCKp cycle time ^{Note 1}	t _{KCY2}	4.0 V ≤ EV _{DD} ≤ 5.5 V, 2.7 V ≤ V _b ≤ 4.0 V	20 MHz < f _{MCK} ≤ 24 MHz	12/f _{MCK}					ns
			8 MHz < f _{MCK} ≤ 20 MHz	10/f _{MCK}					ns
			4 MHz < f _{MCK} ≤ 8 MHz	8/f _{MCK}		16/f _{MCK}			ns
			f _{MCK} ≤ 4 MHz	6/f _{MCK}		10/f _{MCK}	10/f _{MCK}		ns
		2.7 V ≤ EV _{DD} < 4.0 V, 2.3 V ≤ V _b ≤ 2.7 V	20 MHz < f _{MCK} ≤ 24 MHz	16/f _{MCK}					ns
			16 MHz < f _{MCK} ≤ 20 MHz	14/f _{MCK}					ns
			8 MHz < f _{MCK} ≤ 16 MHz	12/f _{MCK}					ns
			4 MHz < f _{MCK} ≤ 8 MHz	8/f _{MCK}		16/f _{MCK}			ns
		2.4 V ≤ EV _{DD} < 3.3 V, 1.6 V ≤ V _b ≤ 2.0 V	f _{MCK} ≤ 4 MHz	6/f _{MCK}		10/f _{MCK}	10/f _{MCK}		ns
			20 MHz < f _{MCK} ≤ 24 MHz	36/f _{MCK}					ns
			16 MHz < f _{MCK} ≤ 20 MHz	32/f _{MCK}					ns
			8 MHz < f _{MCK} ≤ 16 MHz	26/f _{MCK}					ns
1.8 V ≤ EV _{DD} < 3.3 V, 1.6 V ≤ V _b ≤ 2.0 V ^{Note 2}	4 MHz < f _{MCK} ≤ 8 MHz	16/f _{MCK}		16/f _{MCK}			ns		
	f _{MCK} ≤ 4 MHz	10/f _{MCK}		10/f _{MCK}	10/f _{MCK}		ns		
	4 MHz < f _{MCK} ≤ 8 MHz			16/f _{MCK}			ns		
	f _{MCK} ≤ 4 MHz			10/f _{MCK}	10/f _{MCK}		ns		
SCKp high-/low-level width	t _{KH2} , t _{KL2}	4.0 V ≤ EV _{DD} ≤ 5.5 V, 2.7 V ≤ V _b ≤ 4.0 V	t _{KCY2} /2 - 12		t _{KCY2} /2 - 50		t _{KCY2} /2 - 50	ns	
		2.7 V ≤ EV _{DD} < 4.0 V, 2.3 V ≤ V _b ≤ 2.7 V	t _{KCY2} /2 - 18		t _{KCY2} /2 - 50		t _{KCY2} /2 - 50	ns	
		2.4 V ≤ EV _{DD} < 3.3 V, 1.6 V ≤ V _b ≤ 2.0 V	t _{KCY2} /2 - 50		t _{KCY2} /2 - 50		t _{KCY2} /2 - 50	ns	
		1.8 V ≤ EV _{DD} < 3.3 V, 1.6 V ≤ V _b ≤ 2.0 V ^{Note 2}			t _{KCY2} /2 - 50		t _{KCY2} /2 - 50	ns	
Slp setup time (to SCKp↑) ^{Note 3}	t _{SIK2}	4.0 V ≤ EV _{DD} < 5.5 V, 2.7 V ≤ V _b ≤ 4.0 V	1/f _{MCK} + 20		1/f _{MCK} + 30		1/f _{MCK} + 30	ns	
		2.7 V ≤ EV _{DD} < 4.0 V, 2.3 V ≤ V _b ≤ 2.7 V	1/f _{MCK} + 20		1/f _{MCK} + 30		1/f _{MCK} + 30	ns	
		2.4 V ≤ EV _{DD} < 3.3 V, 1.6 V ≤ V _b ≤ 2.0 V	1/f _{MCK} + 30		1/f _{MCK} + 30		1/f _{MCK} + 30	ns	
		1.8 V ≤ EV _{DD} < 3.3 V, 1.6 V ≤ V _b ≤ 2.0 V ^{Note 2}			1/f _{MCK} + 30		1/f _{MCK} + 30	ns	
Slp hold time (from SCKp↑) ^{Note 4}	t _{KSI2}	4.0 V ≤ EV _{DD} < 5.5 V, 2.7 V ≤ V _b ≤ 4.0 V	1/f _{MCK} + 31		1/f _{MCK} + 31		1/f _{MCK} + 31	ns	
		2.7 V ≤ EV _{DD} < 4.0 V, 2.3 V ≤ V _b ≤ 2.7 V	1/f _{MCK} + 31		1/f _{MCK} + 31		1/f _{MCK} + 31	ns	
		2.4 V ≤ EV _{DD} < 3.3 V, 1.6 V ≤ V _b ≤ 2.0 V	1/f _{MCK} + 31		1/f _{MCK} + 31		1/f _{MCK} + 31	ns	
		1.8 V ≤ EV _{DD} < 3.3 V, 1.6 V ≤ V _b ≤ 2.0 V ^{Note 2}			1/f _{MCK} + 31		1/f _{MCK} + 31	ns	

(Notes, Caution and Remarks are listed on the next page.)

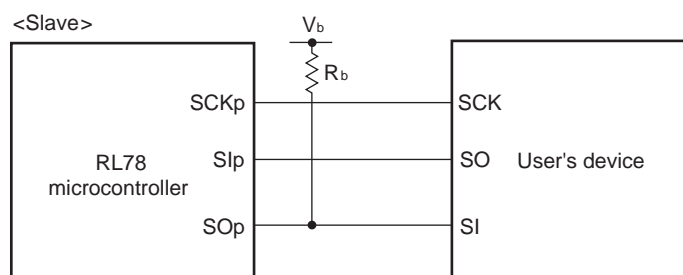
(7) Communication at different potential (1.8 V, 2.5 V, 3 V) (CSI mode) (slave mode, SCKp... external clock input)
(T_A = -40 to +85°C, 1.8 V ≤ EV_{DD} = V_{DD} ≤ 5.5 V, V_{SS} = EV_{SS} = 0 V) **(2/2)**

Parameter	Symbol	Conditions	HS (high-speed main) mode		LS (low-speed main) mode		LV (low-voltage main) mode		Unit
			MIN.	MAX.	MIN.	MAX.	MIN.	MAX.	
Delay time from SCKp↓ to SOp output ^{Note 5}	t _{KS02}	4.0 V ≤ EV _{DD} ≤ 5.5 V, 2.7 V ≤ V _b ≤ 4.0 V, C _b = 30 pF, R _b = 1.4 kΩ		2/f _{MCK} + 120		2/f _{MCK} + 573		2/f _{MCK} + 573	ns
		2.7 V ≤ EV _{DD} < 4.0 V, 2.3 V ≤ V _b ≤ 2.7 V, C _b = 30 pF, R _b = 2.7 kΩ		2/f _{MCK} + 214		2/f _{MCK} + 573		2/f _{MCK} + 573	ns
		2.4 V ≤ EV _{DD} < 3.3 V, 1.6 V ≤ V _b ≤ 2.0 V, C _b = 30 pF, R _b = 5.5 kΩ		2/f _{MCK} + 573		2/f _{MCK} + 573		2/f _{MCK} + 573	ns
		1.8 V ≤ EV _{DD} < 3.3 V, 1.6 V ≤ V _b ≤ 2.0 V ^{Note 2} , C _b = 30 pF, R _b = 5.5 kΩ				2/f _{MCK} + 573		2/f _{MCK} + 573	ns

- Notes**
- Transfer rate in the SNOOZE mode : MAX. 1 Mbps
 - Use it with EV_{DD} ≥ V_b.
 - When DAP_{mn} = 0 and CKP_{mn} = 0, or DAP_{mn} = 1 and CKP_{mn} = 1. The SIp setup time becomes “to SCKp↓” when DAP_{mn} = 0 and CKP_{mn} = 1, or DAP_{mn} = 1 and CKP_{mn} = 0.
 - When DAP_{mn} = 0 and CKP_{mn} = 0, or DAP_{mn} = 1 and CKP_{mn} = 1. The SIp hold time becomes “from SCKp↓” when DAP_{mn} = 0 and CKP_{mn} = 1, or DAP_{mn} = 1 and CKP_{mn} = 0.
 - When DAP_{mn} = 0 and CKP_{mn} = 0, or DAP_{mn} = 1 and CKP_{mn} = 1. The delay time to SOp output becomes “from SCKp↑” when DAP_{mn} = 0 and CKP_{mn} = 1, or DAP_{mn} = 1 and CKP_{mn} = 0.

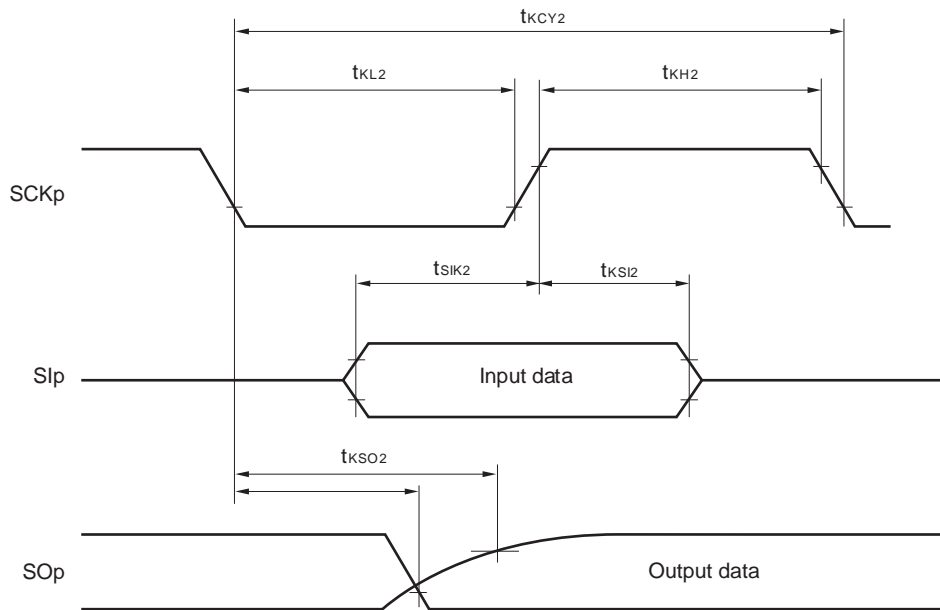
Caution Select the TTL input buffer for the SIp pin and SCKp pin and the N-ch open drain output (V_{DD} tolerance (32-pin to 52-pin products)/EV_{DD} tolerance (64-pin products)) mode for the SOp pin by using port input mode register g (PIMg) and port output mode register g (POMg). For V_{IH} and V_{IL}, see the DC characteristics with TTL input buffer selected.

CSI mode connection diagram (during communication at different potential)

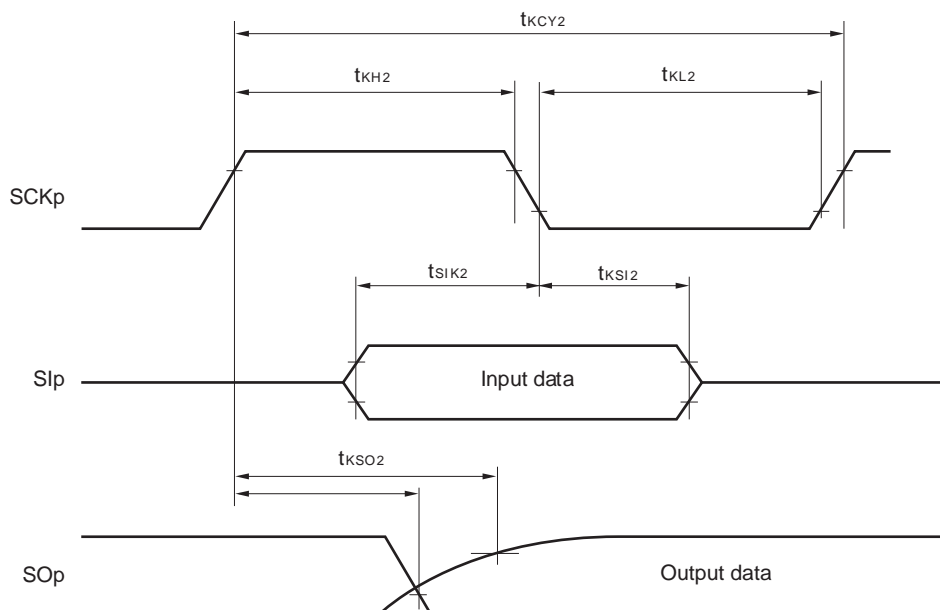


- Remarks**
- R_b[Ω]: Communication line (SO_p) pull-up resistance, C_b[F]: Communication line (SO_p) load capacitance, V_b[V]: Communication line voltage
 - p: CSI number (p = 00, 01), m: Unit number (m = 0), n: Channel number (n = 0, 1), g: PIM and POM number (g = 1)
 - f_{MCK}: Serial array unit operation clock frequency
 (Operation clock to be set by the serial clock select register m (SPSm) and the CKSmn bit of serial mode register mn (SMRmn). m: Unit number, n: Channel number (mn = 00, 01))

**CSI mode serial transfer timing (slave mode) (during communication at different potential)
(When DAPmn = 0 and CKPmn = 0, or DAPmn = 1 and CKPmn = 1.)**



**CSI mode serial transfer timing (slave mode) (during communication at different potential)
(When DAPmn = 0 and CKPmn = 1, or DAPmn = 1 and CKPmn = 0.)**



Remark p: CSI number (p = 00, 01), m: Unit number (m = 0), n: Channel number (n = 0, 1),
g: PIM and POM number (g = 1)

30.5.2 Serial interface IICA

<R> (1) I²C standard mode(T_A = -40 to +85°C, 1.6 V ≤ EV_{DD} = V_{DD} ≤ 5.5 V, V_{SS} = EV_{SS} = 0 V)

Parameter	Symbol	Conditions	HS (high-speed main) Mode		LS (low-speed main) Mode		LV (low-voltage main) Mode		Unit	
			MIN.	MAX.	MIN.	MIN.	MAX.	MIN.		
SCLA0 clock frequency	f _{SCL}	Standard mode: f _{CLK} ≥ 1 MHz	2.7 V ≤ EV _{DD} ≤ 5.5 V	0	100	0	100	0	100	kHz
			2.4 V ≤ EV _{DD} ≤ 5.5 V	0	100	0	100	0	100	
			1.8 V ≤ EV _{DD} ≤ 5.5 V			0	100	0	100	
			1.6 V ≤ EV _{DD} ≤ 5.5 V					0	100	
Setup time of restart condition	t _{SU:STA}	2.7 V ≤ EV _{DD} ≤ 5.5 V	4.7		4.7		4.7		μs	
		2.4 V ≤ EV _{DD} ≤ 5.5 V	4.7		4.7		4.7			
		1.8 V ≤ EV _{DD} ≤ 5.5 V			4.7		4.7			
		1.6 V ≤ EV _{DD} ≤ 5.5 V					4.7			
Hold time ^{Note 1}	t _{HD:STA}	2.7 V ≤ EV _{DD} ≤ 5.5 V	4.0		4.0		4.0		μs	
		2.4 V ≤ EV _{DD} ≤ 5.5 V	4.0		4.0		4.0			
		1.8 V ≤ EV _{DD} ≤ 5.5 V			4.0		4.0			
		1.6 V ≤ EV _{DD} ≤ 5.5 V					4.0			
Hold time when SCLA0 = "L"	t _{LOW}	2.7 V ≤ EV _{DD} ≤ 5.5 V	4.7		4.7		4.7		μs	
		2.4 V ≤ EV _{DD} ≤ 5.5 V	4.7		4.7		4.7			
		1.8 V ≤ EV _{DD} ≤ 5.5 V			4.7		4.7			
		1.6 V ≤ EV _{DD} ≤ 5.5 V					4.7			
Hold time when SCLA0 = "H"	t _{HIGH}	2.7 V ≤ EV _{DD} ≤ 5.5 V	4.0		4.0		4.0		μs	
		2.4 V ≤ EV _{DD} ≤ 5.5 V	4.0		4.0		4.0			
		1.8 V ≤ EV _{DD} ≤ 5.5 V			4.0		4.0			
		1.6 V ≤ EV _{DD} ≤ 5.5 V					4.0			
Data setup time (reception)	t _{SU:DAT}	2.7 V ≤ EV _{DD} ≤ 5.5 V	250		250		250		ns	
		2.4 V ≤ EV _{DD} ≤ 5.5 V	250		250		250			
		1.8 V ≤ EV _{DD} ≤ 5.5 V			250		250			
		1.6 V ≤ EV _{DD} ≤ 5.5 V					250			
Data hold time (transmission) ^{Note 2}	t _{HD:DAT}	2.7 V ≤ EV _{DD} ≤ 5.5 V	0	3.45	0	3.45	0	3.45	μs	
		2.4 V ≤ EV _{DD} ≤ 5.5 V	0	3.45	0	3.45	0	3.45		
		1.8 V ≤ EV _{DD} ≤ 5.5 V			0	3.45	0	3.45		
		1.6 V ≤ EV _{DD} ≤ 5.5 V					0	3.45		
Setup time of stop condition	t _{SU:STO}	2.7 V ≤ EV _{DD} ≤ 5.5 V	4.0		4.0		4.0		μs	
		2.4 V ≤ EV _{DD} ≤ 5.5 V	4.0		4.0		4.0			
		1.8 V ≤ EV _{DD} ≤ 5.5 V			4.0		4.0			
		1.6 V ≤ EV _{DD} ≤ 5.5 V					4.0			
Bus-free time	t _{BUF}	2.7 V ≤ EV _{DD} ≤ 5.5 V	4.7		4.7		4.7		μs	
		2.4 V ≤ EV _{DD} ≤ 5.5 V	4.7		4.7		4.7			
		1.8 V ≤ EV _{DD} ≤ 5.5 V			4.7		4.7			
		1.6 V ≤ EV _{DD} ≤ 5.5 V					4.7			

(Notes and Remark are listed on the next page.)

- Notes**
1. The first clock pulse is generated after this period when the start/restart condition is detected.
 2. The maximum value (MAX.) of t_{HD:DAT} is during normal transfer and a wait state is inserted in the $\overline{\text{ACK}}$ (acknowledge) timing.

Remark The maximum value of C_b (communication line capacitance) and the value of R_b (communication line pull-up resistor) at that time in each mode are as follows.

Standard mode: C_b = 400 pF, R_b = 2.7 kΩ

<R> (2) I²C fast mode(T_A = -40 to +85°C, 1.6 V ≤ EV_{DD} = V_{DD} ≤ 5.5 V, V_{SS} = EV_{SS} = 0 V)

Parameter	Symbol	Conditions	HS (high-speed main) Mode		LS (low-speed main) Mode		LV (low-voltage main) Mode		Unit	
			MIN.	MAX.	MIN.	MIN.	MAX.	MIN.		
SCLA0 clock frequency	f _{SCL}	Fast mode: f _{CLK} ≥ 3.5 MHz	2.7 V ≤ EV _{DD} ≤ 5.5 V	0	400	0	400	0	400	kHz
			2.4 V ≤ EV _{DD} ≤ 5.5 V	0	400	0	400	0	400	
			1.8 V ≤ EV _{DD} ≤ 5.5 V			0	400	0	400	
Setup time of restart condition	t _{SU:STA}	2.7 V ≤ EV _{DD} ≤ 5.5 V	0.6		0.6		0.6		μs	
		2.4 V ≤ EV _{DD} ≤ 5.5 V	0.6		0.6		0.6			
		1.8 V ≤ EV _{DD} ≤ 5.5 V			0.6		0.6			
Hold time ^{Note 1}	t _{HD:STA}	2.7 V ≤ EV _{DD} ≤ 5.5 V	0.6		0.6		0.6		μs	
		2.4 V ≤ EV _{DD} ≤ 5.5 V	0.6		0.6		0.6			
		1.8 V ≤ EV _{DD} ≤ 5.5 V			0.6		0.6			
Hold time when SCLA0 = "L"	t _{LOW}	2.7 V ≤ EV _{DD} ≤ 5.5 V	1.3		1.3		1.3		μs	
		2.4 V ≤ EV _{DD} ≤ 5.5 V	1.3		1.3		1.3			
		1.8 V ≤ EV _{DD} ≤ 5.5 V			1.3		1.3			
Hold time when SCLA0 = "H"	t _{HIGH}	2.7 V ≤ EV _{DD} ≤ 5.5 V	0.6		0.6		0.6		μs	
		2.4 V ≤ EV _{DD} ≤ 5.5 V	0.6		0.6		0.6			
		1.8 V ≤ EV _{DD} ≤ 5.5 V			0.6		0.6			
Data setup time (reception)	t _{SU:DAT}	2.7 V ≤ EV _{DD} ≤ 5.5 V	100		100		100		ns	
		2.4 V ≤ EV _{DD} ≤ 5.5 V	100		100		100			
		1.8 V ≤ EV _{DD} ≤ 5.5 V			100		100			
Data hold time (transmission) ^{Note 2}	t _{HD:DAT}	2.7 V ≤ EV _{DD} ≤ 5.5 V	0	0.9	0	0.9	0	0.9	μs	
		2.4 V ≤ EV _{DD} ≤ 5.5 V	0	0.9	0	0.9	0	0.9		
		1.8 V ≤ EV _{DD} ≤ 5.5 V			0	0.9	0	0.9		
Setup time of stop condition	t _{SU:STO}	2.7 V ≤ EV _{DD} ≤ 5.5 V	0.6		0.6		0.6		μs	
		2.4 V ≤ EV _{DD} ≤ 5.5 V	0.6		0.6		0.6			
		1.8 V ≤ EV _{DD} ≤ 5.5 V			0.6		0.6			
Bus-free time	t _{BUF}	2.7 V ≤ EV _{DD} ≤ 5.5 V	1.3		1.3		1.3		μs	
		2.4 V ≤ EV _{DD} ≤ 5.5 V	1.3		1.3		1.3			
		1.8 V ≤ EV _{DD} ≤ 5.5 V			1.3		1.3			

Notes 1. The first clock pulse is generated after this period when the start/restart condition is detected.

2. The maximum value (MAX.) of t_{HD:DAT} is during normal transfer and a wait state is inserted in the ACK (acknowledge) timing.

Remark The maximum value of C_b (communication line capacitance) and the value of R_b (communication line pull-up resistor) at that time in each mode are as follows.

Fast mode: C_b = 320 pF, R_b = 1.1 kΩ

<R> (3) I²C fast mode plus

(T_A = -40 to +85°C, 1.6 V ≤ EV_{DD} = V_{DD} ≤ 5.5 V, V_{SS} = EV_{SS} = 0 V)

Parameter	Symbol	Conditions	HS (high-speed main) Mode		LS (low-speed main) Mode		LV (low-voltage main) Mode		Unit
			MIN.	MAX.	MIN.	MAX.	MIN.	MAX.	
SCLA0 clock frequency	f _{SCL}	Fast mode plus: f _{CLK} ≥ 10 MHz 2.7 V ≤ EV _{DD} ≤ 5.5 V	0	1000	—	—	—	—	kHz
Setup time of restart condition	t _{SU:STA}	2.7 V ≤ EV _{DD} ≤ 5.5 V	0.26		—	—	—	—	μs
Hold time ^{Note 1}	t _{HD:STA}	2.7 V ≤ EV _{DD} ≤ 5.5 V	0.26		—	—	—	—	μs
Hold time when SCLA0 = "L"	t _{LOW}	2.7 V ≤ EV _{DD} ≤ 5.5 V	0.5		—	—	—	—	μs
Hold time when SCLA0 = "H"	t _{HIGH}	2.7 V ≤ EV _{DD} ≤ 5.5 V	0.26		—	—	—	—	μs
Data setup time (reception)	t _{SU:DAT}	2.7 V ≤ EV _{DD} ≤ 5.5 V	50		—	—	—	—	μs
Data hold time (transmission) ^{Note 2}	t _{HD:DAT}	2.7 V ≤ EV _{DD} ≤ 5.5 V	0	0.45	—	—	—	—	μs
Setup time of stop condition	t _{SU:STO}	2.7 V ≤ EV _{DD} ≤ 5.5 V	0.26		—	—	—	—	μs
Bus-free time	t _{BUF}	2.7 V ≤ EV _{DD} ≤ 5.5 V	0.5		—	—	—	—	μs

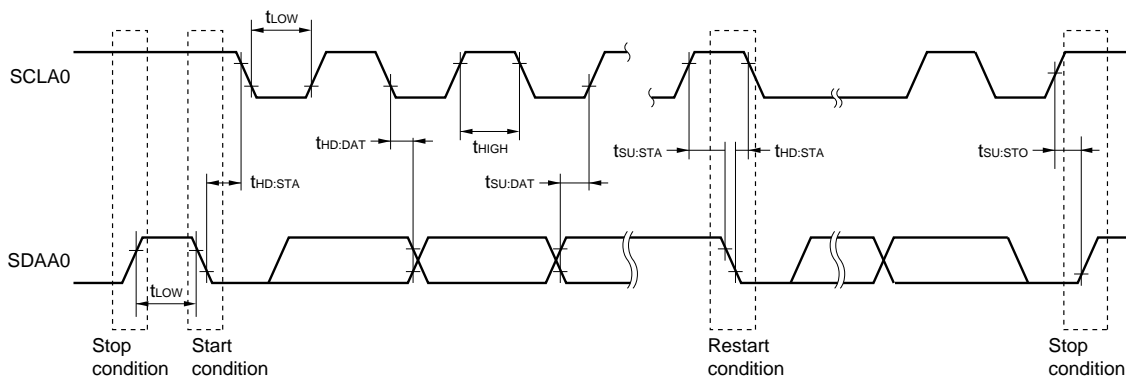
- Notes**
- The first clock pulse is generated after this period when the start/restart condition is detected.
 - The maximum value (MAX.) of t_{HD:DAT} is during normal transfer and a wait state is inserted in the \overline{ACK} (acknowledge) timing.

Caution The values in the above table are applied even when bit 2 (PIOR2) in the peripheral I/O redirection register (PIOR) is 1. At this time, the pin characteristics (I_{OH1}, I_{OL1}, V_{OH1}, V_{OL1}) must satisfy the values in the redirect destination.

Remark The maximum value of C_b (communication line capacitance) and the value of R_b (communication line pull-up resistor) at that time in each mode are as follows.

Fast mode plus: C_b = 120 pF, R_b = 1.1 kΩ

I²C serial transfer timing



30.6 Analog Characteristics

30.6.1 A/D converter characteristics

<R> Classification of A/D converter characteristics

Input channel	Reference Voltage		
	Reference voltage (+) = AV _{REFP} Reference voltage (-) = AV _{REFM}	Reference voltage (+) = V _{DD} Reference voltage (-) = V _{SS}	Reference voltage (+) = V _{BGR} Reference voltage (-) = AV _{REFM}
ANI0, ANI1	–	Refer to 30.6.1 (3) .	Refer to 30.6.1 (4) .
ANI16 to ANI23	Refer to 30.6.1 (2) .		
Internal reference voltage Temperature sensor output voltage	Refer to 30.6.1 (1) .		–

<R> (1) When reference voltage (+) = AV_{REFP}/ANI0 (ADREFP1 = 0, ADREFP0 = 1), reference voltage (-) = AV_{REFM}/ANI1 (ADREFM = 1), target pin : internal reference voltage, and temperature sensor output voltage

(T_A = -40 to +85°C, 2.4 V ≤ EV_{DD} = V_{DD} ≤ 5.5 V, 1.6 V ≤ AV_{REFP} ≤ V_{DD} ≤ 5.5 V, V_{SS} = EV_{SS} = 0 V, Reference voltage (+) = AV_{REFP}, Reference voltage (-) = AV_{REFM} = 0 V)

Parameter	Symbol	Conditions	MIN.	TYP.	MAX.	Unit	
Resolution	RES		8		10	bit	
Overall error ^{Note 1}	AINL	10-bit resolution AV _{REFP} = V _{DD} ^{Note 3}	1.8 V ≤ V _{DD} ≤ 5.5 V		1.2	±3.5	LSB
			1.6 V ≤ V _{DD} ≤ 5.5 V ^{Note 4}		1.2	±7.0	LSB
Conversion time	t _{CONV}	10-bit resolution Target pin: Internal reference voltage, and temperature sensor output voltage (HS (high-speed main) mode)	3.6 V ≤ V _{DD} ≤ 5.5 V	2.375		39	μs
			2.7 V ≤ V _{DD} ≤ 5.5 V	3.5625		39	μs
			2.4 V ≤ V _{DD} ≤ 5.5 V	17		39	μs
Zero-scale error ^{Notes 1, 2}	E _{ZS}	10-bit resolution AV _{REFP} = V _{DD} ^{Note 3}	1.8 V ≤ AV _{REFP} ≤ 5.5 V			±0.25	%FSR
			1.6 V ≤ AV _{REFP} ≤ 5.5 V ^{Note 4}			±0.50	%FSR
Full-scale error ^{Notes 1, 2}	E _{FS}	10-bit resolution AV _{REFP} = V _{DD} ^{Note 3}	1.8 V ≤ AV _{REFP} ≤ 5.5 V			±0.25	%FSR
			1.6 V ≤ AV _{REFP} ≤ 5.5 V ^{Note 4}			±0.50	%FSR
Integral linearity error ^{Note 1}	ILE	10-bit resolution AV _{REFP} = V _{DD} ^{Note 3}	1.8 V ≤ V _{DD} ≤ 5.5 V			±2.5	LSB
			1.6 V ≤ V _{DD} ≤ 5.5 V ^{Note 4}			±5.0	LSB
Differential linearity error ^{Note 1}	DLE	10-bit resolution AV _{REFP} = V _{DD} ^{Note 3}	1.8 V ≤ V _{DD} ≤ 5.5 V			±1.5	LSB
			1.6 V ≤ V _{DD} ≤ 5.5 V ^{Note 4}			±2.0	LSB
Analog input voltage	V _{AIN}	Internal reference voltage (2.4 V ≤ V _{DD} ≤ 5.5 V, HS (high-speed main) mode)	V _{BGR} ^{Note 5}			V	
	V _{BGR}	Temperature sensor output voltage (2.4 V ≤ V _{DD} ≤ 5.5 V, HS (high-speed main) mode)	V _{TMPS25} ^{Note 5}			V	

(Notes are listed on the next page.)

- Notes**
1. Excludes quantization error ($\pm 1/2$ LSB).
 2. This value is indicated as a ratio (%FSR) to the full-scale value.
 3. When $AV_{REFP} < V_{DD}$, the MAX. values are as follows.
Overall error: Add ± 1.0 LSB to the MAX. value when $AV_{REFP} = V_{DD}$.
Zero-scale error/Full-scale error: Add $\pm 0.05\%$ FSR to the MAX. value when $AV_{REFP} = V_{DD}$.
Integral linearity error/Differential linearity error: Add ± 0.5 LSB to the MAX. value when $AV_{REFP} = V_{DD}$.
 4. Values when the conversion time is set to 57 μ s (min.) and 95 μ s (max.).
 5. Refer to **30.6.2 Temperature sensor/internal reference voltage characteristics**.

<R> (2) When reference voltage (+) = AV_{REFP}/ANI0 (ADREFP1 = 0, ADREFP0 = 1), reference voltage (-) = AV_{REFM}/ANI1 (ADREFM = 1), target pin : ANI16 to ANI23

(T_A = -40 to +85°C, 1.6 V ≤ EV_{DD} = V_{DD} ≤ 5.5 V, 1.6 V ≤ AV_{REFP} ≤ V_{DD} ≤ 5.5 V, V_{SS} = EV_{SS} = 0 V, Reference voltage (+) = AV_{REFP}, Reference voltage (-) = AV_{REFM} = 0 V)

Parameter	Symbol	Conditions	MIN.	TYP.	MAX.	Unit	
Resolution	RES		8		10	bit	
Overall error ^{Note 1}	AINL	10-bit resolution AV _{REFP} = EV _{DD} = V _{DD} Note 3	1.8 V ≤ AV _{REFP} ≤ 5.5 V		1.2	±5.0	LSB
			1.6 V ≤ AV _{REFP} ≤ 5.5 V Note 4		1.2	±8.5	LSB
Conversion time	t _{CONV}	10-bit resolution AV _{REFP} = EV _{DD} = V _{DD} Note 3	3.6 V ≤ V _{DD} ≤ 5.5 V	2.125		39	μs
			2.7 V ≤ V _{DD} ≤ 5.5 V	3.1875		39	μs
			1.8 V ≤ V _{DD} ≤ 5.5 V	17		39	μs
			1.6 V ≤ V _{DD} ≤ 5.5 V	57		95	μs
Zero-scale error ^{Notes 1, 2}	E _{ZS}	10-bit resolution AV _{REFP} = EV _{DD} = V _{DD} Note 3	1.8 V ≤ AV _{REFP} ≤ 5.5 V			±0.35	%FSR
			1.6 V ≤ AV _{REFP} ≤ 5.5 V Note 4			±0.60	%FSR
Full-scale error ^{Notes 1, 2}	E _{FS}	10-bit resolution AV _{REFP} = EV _{DD} = V _{DD} Note 3	1.8 V ≤ AV _{REFP} ≤ 5.5 V			±0.35	%FSR
			1.6 V ≤ AV _{REFP} ≤ 5.5 V Note 4			±0.60	%FSR
Integral linearity error ^{Note 1}	ILE	10-bit resolution AV _{REFP} = EV _{DD} = V _{DD} Note 3	1.8 V ≤ AV _{REFP} ≤ 5.5 V			±3.5	LSB
			1.6 V ≤ AV _{REFP} ≤ 5.5 V Note 4			±6.0	LSB
Differential linearity error Note 1	DLE	10-bit resolution AV _{REFP} = EV _{DD} = V _{DD} Note 3	1.8 V ≤ AV _{REFP} ≤ 5.5 V			±2.0	LSB
			1.6 V ≤ AV _{REFP} ≤ 5.5 V Note 4			±2.5	LSB
Analog input voltage	V _{AIN}		0		AV _{REFP} and EV _{DD}	V	

Notes 1. Excludes quantization error (±1/2 LSB).

2. This value is indicated as a ratio (%FSR) to the full-scale value.

<R> 3. When AV_{REFP} < EV_{DD} = V_{DD}, the MAX. values are as follows.

Overall error: Add ±4.0 LSB to the MAX. value when AV_{REFP} = V_{DD}.

Zero-scale error/Full-scale error: Add ±0.20%FSR to the MAX. value when AV_{REFP} = V_{DD}.

Integral linearity error/Differential linearity error: Add ±2.0 LSB to the MAX. value when AV_{REFP} = V_{DD}.

<R> 4. When the conversion time is set to 57 μs (min.) and 95 μs (max.).

<R> (3) When reference voltage (+) = V_{DD} (ADREFP1 = 0, ADREFP0 = 0), reference voltage (-) = V_{SS} (ADREFM = 0), target pin : ANI0, ANI1, ANI16 to ANI23, internal reference voltage, and temperature sensor output voltage

(T_A = -40 to +85°C, 1.6 V ≤ EV_{DD} = V_{DD} ≤ 5.5 V, V_{SS} = EV_{SS} = 0 V, Reference voltage (+) = V_{DD}, Reference voltage (-) = V_{SS})

Parameter	Symbol	Conditions	MIN.	TYP.	MAX.	Unit	
Resolution	RES		8		10	bit	
Overall error ^{Note 1}	AINL	10-bit resolution	1.8 V ≤ V _{DD} ≤ 5.5 V		1.2	±7.0	LSB
			1.6 V ≤ V _{DD} ≤ 5.5 V Note 3		1.2	±10.5	LSB
Conversion time	t _{CONV}	10-bit resolution	3.6 V ≤ V _{DD} ≤ 5.5 V	2.125		39	μs
			2.7 V ≤ V _{DD} ≤ 5.5 V	3.1875		39	μs
			1.8 V ≤ V _{DD} ≤ 5.5 V	17		39	μs
			1.6 V ≤ V _{DD} ≤ 5.5 V	57		95	μs
		10-bit resolution Target pin: Internal reference voltage, and temperature sensor output voltage (HS (high-speed main) mode)	3.6 V ≤ V _{DD} ≤ 5.5 V	2.375		39	μs
			2.7 V ≤ V _{DD} ≤ 5.5 V	3.5625		39	μs
Zero-scale error ^{Notes 1, 2}	E _{ZS}	10-bit resolution	1.8 V ≤ V _{DD} ≤ 5.5 V			±0.60	%FSR
			1.6 V ≤ V _{DD} ≤ 5.5 V Note 3			±0.85	%FSR
Full-scale error ^{Notes 1, 2}	E _{FS}	10-bit resolution	1.8 V ≤ V _{DD} ≤ 5.5 V			±0.60	%FSR
			1.6 V ≤ V _{DD} ≤ 5.5 V Note 3			±0.85	%FSR
Integral linearity error ^{Note 1}	ILE	10-bit resolution	1.8 V ≤ V _{DD} ≤ 5.5 V			±4.0	LSB
			1.6 V ≤ V _{DD} ≤ 5.5 V Note 3			±6.5	LSB
Differential linearity error ^{Note 1}	DLE	10-bit resolution	1.8 V ≤ V _{DD} ≤ 5.5 V			±2.0	LSB
			1.6 V ≤ V _{DD} ≤ 5.5 V Note 3			±2.5	LSB
Analog input voltage	V _{AIN}	ANI0, ANI1	0		V _{DD}	V	
		ANI16 to ANI23	0		EV _{DD}	V	
		Internal reference voltage (2.4 V ≤ V _{DD} ≤ 5.5 V, HS (high-speed main) mode)			V _{BGR} ^{Note 4}	V	
		Temperature sensor output voltage (2.4 V ≤ V _{DD} ≤ 5.5 V, HS (high-speed main) mode)			V _{TMPS25} ^{Note 4}	V	

Notes 1. Excludes quantization error (±1/2 LSB).

2. This value is indicated as a ratio (%FSR) to the full-scale value.

<R> 3. When the conversion time is set to 57 μs (min.) and 95 μs (max.).

<R> 4. Refer to **30.6.2 Temperature sensor/internal reference voltage characteristics**.

<R> (4) When reference voltage (+) = Internal reference voltage (ADREFP1 = 1, ADREFP0 = 0), reference voltage (-) = AV_{REFM}/ANI1 (ADREFM = 1), target pin : ANI0, ANI16 to ANI23

(T_A = -40 to +85°C, 2.4 V ≤ EV_{DD} = V_{DD} ≤ 5.5 V, V_{SS} = EV_{SS} = 0 V, Reference voltage (+) = V_{BGR}^{Note 3}, Reference voltage (-) = AV_{REFM}^{Note 4} = 0 V, HS (high-speed main) mode)

Parameter	Symbol	Conditions		MIN.	TYP.	MAX.	Unit
Resolution	RES			8			bit
Conversion time	t _{CONV}	8-bit resolution	2.4 V ≤ V _{DD} ≤ 5.5 V	17		39	μs
Zero-scale error ^{Notes 1, 2}	E _{ZS}	8-bit resolution	2.4 V ≤ V _{DD} ≤ 5.5 V			±0.60	%FSR
Integral linearity error ^{Note 1}	ILE	8-bit resolution	2.4 V ≤ V _{DD} ≤ 5.5 V			±2.0	LSB
Differential linearity error ^{Note 1}	DLE	8-bit resolution	2.4 V ≤ V _{DD} ≤ 5.5 V			±1.0	LSB
Analog input voltage	V _{AIN}			0		V _{BGR} ^{Note 3}	V

Notes 1. Excludes quantization error (±1/2 LSB).

2. This value is indicated as a ratio (%FSR) to the full-scale value.

<R> 3. Refer to **30.6.2 Temperature sensor/internal reference voltage characteristics**.

<R> 4. When reference voltage (-) = V_{SS}, the MAX. values are as follows.

Zero-scale error: Add ±0.35%FSR to the MAX. value when reference voltage (-) = AV_{REFM}.

Integral linearity error: Add ±0.5 LSB to the MAX. value when reference voltage (-) = AV_{REFM}.

Differential linearity error: Add ±0.2 LSB to the MAX. value when reference voltage (-) = AV_{REFM}.

30.6.2 Temperature sensor/internal reference voltage characteristics

(T_A = -40 to +85°C, 2.4 V ≤ EV_{DD} = V_{DD} ≤ 5.5 V, V_{SS} = EV_{SS} = 0 V) (HS (high-speed main) mode)

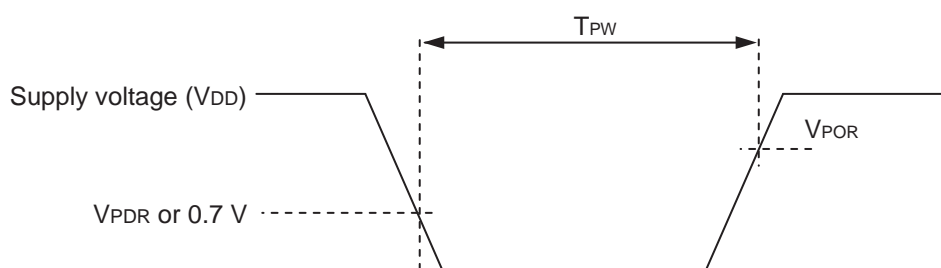
Parameter	Symbol	Conditions	MIN.	TYP.	MAX.	Unit
Temperature sensor output voltage	V _{TMPS25}	Setting ADS register = 80H, T _A = +25°C		1.05		V
Internal reference voltage	V _{BGR}	Setting ADS register = 81H	1.38	1.45	1.5	V
Temperature coefficient	F _{VTMPS}	Temperature sensor that depends on the temperature		-3.6		mV/°C
Operation stabilization wait time	t _{AMP}		5			μs

30.6.3 POR circuit characteristics

 $(T_A = -40$ to $+85^\circ\text{C}$, $V_{SS} = 0$ V)

Parameter	Symbol	Conditions	MIN.	TYP.	MAX.	Unit
Detection voltage	V_{POR}	Power supply rise time	1.47	1.51	1.55	V
	V_{PDR}	Power supply fall time	1.46	1.50	1.54	V
Minimum pulse width ^{Note}	T_{PW}		300			μs

<R> **Note** Minimum time required for a POR reset when V_{DD} exceeds below V_{PDR} . This is also the minimum time required for a POR reset from when V_{DD} exceeds below 0.7 V to when V_{DD} exceeds V_{POR} while STOP mode is entered or the main system clock is stopped through setting bit 0 (HIOSTOP) and bit 7 (MSTOP) in the clock operation status control register (CSC).



30.6.4 LVD circuit characteristics

(T_A = -40 to +85°C, V_{PDR} ≤ EV_{DD} = V_{DD} ≤ 5.5 V, V_{SS} = EV_{SS} = 0 V)

Parameter		Symbol	Conditions	MIN.	TYP.	MAX.	Unit
Detection voltage	Supply voltage level	V _{LVD0}	Power supply rise time	3.98	4.06	4.14	V
			Power supply fall time	3.90	3.98	4.06	V
		V _{LVD1}	Power supply rise time	3.68	3.75	3.82	V
			Power supply fall time	3.60	3.67	3.74	V
		V _{LVD2}	Power supply rise time	3.07	3.13	3.19	V
			Power supply fall time	3.00	3.06	3.12	V
		V _{LVD3}	Power supply rise time	2.96	3.02	3.08	V
			Power supply fall time	2.90	2.96	3.02	V
		V _{LVD4}	Power supply rise time	2.86	2.92	2.97	V
			Power supply fall time	2.80	2.86	2.91	V
		V _{LVD5}	Power supply rise time	2.76	2.81	2.87	V
			Power supply fall time	2.70	2.75	2.81	V
		V _{LVD6}	Power supply rise time	2.66	2.71	2.76	V
			Power supply fall time	2.60	2.65	2.70	V
		V _{LVD7}	Power supply rise time	2.56	2.61	2.66	V
			Power supply fall time	2.50	2.55	2.60	V
		V _{LVD8}	Power supply rise time	2.45	2.50	2.55	V
			Power supply fall time	2.40	2.45	2.50	V
		V _{LVD9}	Power supply rise time	2.05	2.09	2.13	V
			Power supply fall time	2.00	2.04	2.08	V
		V _{LVD10}	Power supply rise time	1.94	1.98	2.02	V
			Power supply fall time	1.90	1.94	1.98	V
		V _{LVD11}	Power supply rise time	1.84	1.88	1.91	V
			Power supply fall time	1.80	1.84	1.87	V
V _{LVD12}	Power supply rise time	1.74	1.77	1.81	V		
	Power supply fall time	1.70	1.73	1.77	V		
V _{LVD13}	Power supply rise time	1.64	1.67	1.70	V		
	Power supply fall time	1.60	1.63	1.66	V		
Minimum pulse width	t _{LW}		300			μs	
Detection delay time	t _{LD}				300	μs	

LVD Detection Voltage of Interrupt & Reset Mode(T_A = -40 to +85°C, V_{PDR} ≤ EV_{DD} = V_{DD} ≤ 5.5 V, V_{SS} = EV_{SS} = 0 V)

Parameter	Symbol	Conditions	MIN.	TYP.	MAX.	Unit	
Interrupt and reset mode	V _{LVDA0}	V _{POC2} , V _{POC1} , V _{POC0} = 0, 0, 0, falling reset voltage	1.60	1.63	1.66	V	
	V _{LVDA1}	LVIS1, LVIS0 = 1, 0	Rising release reset voltage	1.74	1.77	1.81	V
			Falling interrupt voltage	1.70	1.73	1.77	V
	V _{LVDA2}	LVIS1, LVIS0 = 0, 1	Rising release reset voltage	1.84	1.88	1.91	V
			Falling interrupt voltage	1.80	1.84	1.87	V
	V _{LVDA3}	LVIS1, LVIS0 = 0, 0	Rising release reset voltage	2.86	2.92	2.97	V
			Falling interrupt voltage	2.80	2.86	2.91	V
	V _{LVDB1}	V _{POC2} , V _{POC1} , V _{POC0} = 0, 0, 1, falling reset voltage	1.80	1.84	1.87	V	
	V _{LVDB2}	LVIS1, LVIS0 = 1, 0	Rising release reset voltage	1.94	1.98	2.02	V
			Falling interrupt voltage	1.90	1.94	1.98	V
	V _{LVDB3}	LVIS1, LVIS0 = 0, 1	Rising release reset voltage	2.05	2.09	2.13	V
			Falling interrupt voltage	2.00	2.04	2.08	V
	V _{LVDB4}	LVIS1, LVIS0 = 0, 0	Rising release reset voltage	3.07	3.13	3.19	V
			Falling interrupt voltage	3.00	3.06	3.12	V
	V _{LVDC0}	V _{POC2} , V _{POC1} , V _{POC0} = 0, 1, 0, falling reset voltage	2.40	2.45	2.50	V	
	V _{LVDC1}	LVIS1, LVIS0 = 1, 0	Rising release reset voltage	2.56	2.61	2.66	V
			Falling interrupt voltage	2.50	2.55	2.60	V
	V _{LVDC2}	LVIS1, LVIS0 = 0, 1	Rising release reset voltage	2.66	2.71	2.76	V
			Falling interrupt voltage	2.60	2.65	2.70	V
	V _{LVDC3}	LVIS1, LVIS0 = 0, 0	Rising release reset voltage	3.68	3.75	3.82	V
Falling interrupt voltage			3.60	3.67	3.74	V	
V _{LVDD0}	V _{POC2} , V _{POC1} , V _{POC0} = 0, 1, 1, falling reset voltage	2.70	2.75	2.81	V		
V _{LVDD1}	LVIS1, LVIS0 = 1, 0	Rising release reset voltage	2.86	2.92	2.97	V	
		Falling interrupt voltage	2.80	2.86	2.91	V	
V _{LVDD2}	LVIS1, LVIS0 = 0, 1	Rising release reset voltage	2.96	3.02	3.08	V	
		Falling interrupt voltage	2.90	2.96	3.02	V	
V _{LVDD3}	LVIS1, LVIS0 = 0, 0	Rising release reset voltage	3.98	4.06	4.14	V	
		Falling interrupt voltage	3.90	3.98	4.06	V	

30.6.5 Supply voltage rise time(T_A = -40 to +85°C, V_{SS} = 0 V)

Parameter	Symbol	Conditions	MIN.	TYP.	MAX.	Unit
Power supply voltage rising slope	S _{VDD}				54	V/ms

<R> **Caution** Make sure to keep the internal reset state by the LVD circuit or an external reset until V_{DD} reaches the operating voltage range shown in 30.4 AC Characteristics.

30.7 LCD Characteristics

30.7.1 Resistance division method

(1) Static display mode

(T_A = -40 to +85°C, V_{L4} (MIN.) ≤ V_{DD} ≤ 5.5 V, V_{SS} = 0 V)

Parameter	Symbol	Conditions	MIN.	TYP.	MAX.	Unit
LCD drive voltage	V _{L4}		2.0		V _{DD}	V

(2) 1/2 bias method, 1/4 bias method

(T_A = -40 to +85°C, V_{L4} (MIN.) ≤ V_{DD} ≤ 5.5 V, V_{SS} = 0 V)

Parameter	Symbol	Conditions	MIN.	TYP.	MAX.	Unit
LCD drive voltage	V _{L4}		2.7		V _{DD}	V

(3) 1/3 bias method

(T_A = -40 to +85°C, V_{L4} (MIN.) ≤ V_{DD} ≤ 5.5 V, V_{SS} = 0 V)

Parameter	Symbol	Conditions	MIN.	TYP.	MAX.	Unit
LCD drive voltage	V _{L4}		2.5		V _{DD}	V

30.7.2 Internal voltage boosting method

(1) 1/3 bias method

(T_A = -40 to +85°C, 1.8 V ≤ V_{DD} ≤ 5.5 V, V_{SS} = 0 V)

Parameter	Symbol	Conditions	MIN.	TYP.	MAX.	Unit	
LCD output voltage variation range	V _{L1}	C1 to C4 ^{Note 1} = 0.47 μF	VLCD = 04H	0.90	1.00	1.08	V
			VLCD = 05H	0.95	1.05	1.13	V
			VLCD = 06H	1.00	1.10	1.18	V
			VLCD = 07H	1.05	1.15	1.23	V
			VLCD = 08H	1.10	1.20	1.28	V
			VLCD = 09H	1.15	1.25	1.33	V
			VLCD = 0AH	1.20	1.30	1.38	V
			VLCD = 0BH	1.25	1.35	1.43	V
			VLCD = 0CH	1.30	1.40	1.48	V
			VLCD = 0DH	1.35	1.45	1.53	V
			VLCD = 0EH	1.40	1.50	1.58	V
			VLCD = 0FH	1.45	1.55	1.63	V
			VLCD = 10H	1.50	1.60	1.68	V
			VLCD = 11H	1.55	1.65	1.73	V
VLCD = 12H	1.60	1.70	1.78	V			
VLCD = 13H	1.65	1.75	1.83	V			
Doubler output voltage	V _{L2}	C1 to C4 ^{Note 1} = 0.47 μF	2 V _{L1} - 0.1	2 V _{L1}	2 V _{L1}	V	
Tripler output voltage	V _{L4}	C1 to C4 ^{Note 1} = 0.47 μF	3 V _{L1} - 0.15	3 V _{L1}	3 V _{L1}	V	
Reference voltage setup time ^{Note 2}	t _{VWAIT1}		5			ms	
Voltage boost wait time ^{Note 3}	t _{VWAIT2}	C1 to C4 ^{Note 1} = 0.47 μF	500			ms	

Notes 1. This is a capacitor that is connected between voltage pins used to drive the LCD.

C1: A capacitor connected between CAPH and CAPL

C2: A capacitor connected between V_{L1} and GND

C3: A capacitor connected between V_{L2} and GND

C4: A capacitor connected between V_{L4} and GND

C1 = C2 = C3 = C4 = 0.47 μF ± 30%

- This is the time required to wait from when the reference voltage is specified by using the VLCD register (or when the internal voltage boosting method is selected [by setting the MDSET1 and MDSET0 bits of the LCDM0 register to 01B] if the default value reference voltage is used) until voltage boosting starts (VLCON = 1).
- This is the wait time from when voltage boosting is started (VLCON = 1) until display is enabled (LCDON = 1).

(2) 1/4 bias method

(T_A = -40 to +85°C, 1.8 V ≤ V_{DD} ≤ 5.5 V, V_{SS} = 0 V)

Parameter	Symbol	Conditions	MIN.	TYP.	MAX.	Unit	
LCD output voltage variation range	V _{L1} ^{Note 4}	C1 to C5 ^{Note 1} = 0.47 μF	VLCD = 04H	0.90	1.00	1.08	V
			VLCD = 05H	0.95	1.05	1.13	V
			VLCD = 06H	1.00	1.10	1.18	V
			VLCD = 07H	1.05	1.15	1.23	V
			VLCD = 08H	1.10	1.20	1.28	V
			VLCD = 09H	1.15	1.25	1.33	V
			VLCD = 0AH	1.20	1.30	1.38	V
			VLCD = 0BH	1.25	1.35	1.43	V
			VLCD = 0CH	1.30	1.40	1.48	V
			VLCD = 0DH	1.35	1.45	1.53	V
			VLCD = 0EH	1.40	1.50	1.58	V
			VLCD = 0FH	1.45	1.55	1.63	V
			VLCD = 10H	1.50	1.60	1.68	V
			VLCD = 11H	1.55	1.65	1.73	V
VLCD = 12H	1.60	1.70	1.78	V			
VLCD = 13H	1.65	1.75	1.83	V			
Doubler output voltage	V _{L2}	C1 to C5 ^{Note 1} = 0.47 μF	2 V _{L1} - 0.08	2 V _{L1}	2 V _{L1}	V	
Tripler output voltage	V _{L3}	C1 to C5 ^{Note 1} = 0.47 μF	3 V _{L1} - 0.12	3 V _{L1}	3 V _{L1}	V	
Quadruply output voltage	V _{L4} ^{Note 4}	C1 to C5 ^{Note 1} = 0.47 μF	4 V _{L1} - 0.16	4 V _{L1}	4 V _{L1}	V	
Reference voltage setup time ^{Note 2}	t _{WAIT1}		5			ms	
Voltage boost wait time ^{Note 3}	t _{WAIT2}	C1 to C5 ^{Note 1} = 0.47 μF	500			ms	

Notes 1. This is a capacitor that is connected between voltage pins used to drive the LCD.

C1: A capacitor connected between CAPH and CAPL

C2: A capacitor connected between V_{L1} and GND

C3: A capacitor connected between V_{L2} and GND

C4: A capacitor connected between V_{L3} and GND

C5: A capacitor connected between V_{L4} and GND

C1 = C2 = C3 = C4 = C5 = 0.47 μF ± 30%

- This is the time required to wait from when the reference voltage is specified by using the VLCD register (or when the internal voltage boosting method is selected [by setting the MDSET1 and MDSET0 bits of the LCDM0 register to 01B] if the default value reference voltage is used) until voltage boosting starts (VLCON = 1).
- This is the wait time from when voltage boosting is started (VLCON = 1) until display is enabled (LCDON = 1).
- V_{L4} must be 5.5 V or lower.

30.7.3 Capacitor split method

1/3 bias method

(T_A = -40 to +85°C, 2.2 V ≤ V_{DD} ≤ 5.5 V, V_{SS} = 0 V)

Parameter	Symbol	Conditions	MIN.	TYP.	MAX.	Unit
V _{L4} voltage	V _{L4}	C1 to C4 = 0.47 μF ^{Note 2}		V _{DD}		V
V _{L2} voltage	V _{L2}	C1 to C4 = 0.47 μF ^{Note 2}	2/3 V _{L4} - 0.1	2/3 V _{L4}	2/3 V _{L4} + 0.1	V
V _{L1} voltage	V _{L1}	C1 to C4 = 0.47 μF ^{Note 2}	1/3 V _{L4} - 0.1	1/3 V _{L4}	1/3 V _{L4} + 0.1	V
Capacitor split wait time ^{Note 1}	t _{WAIT}		100			ms

Notes 1. This is the wait time from when voltage bucking is started (VLCON = 1) until display is enabled (LCDON = 1).

2. This is a capacitor that is connected between voltage pins used to drive the LCD.

C1: A capacitor connected between CAPH and CAPL

C2: A capacitor connected between V_{L1} and GND

C3: A capacitor connected between V_{L2} and GND

C4: A capacitor connected between V_{L4} and GND

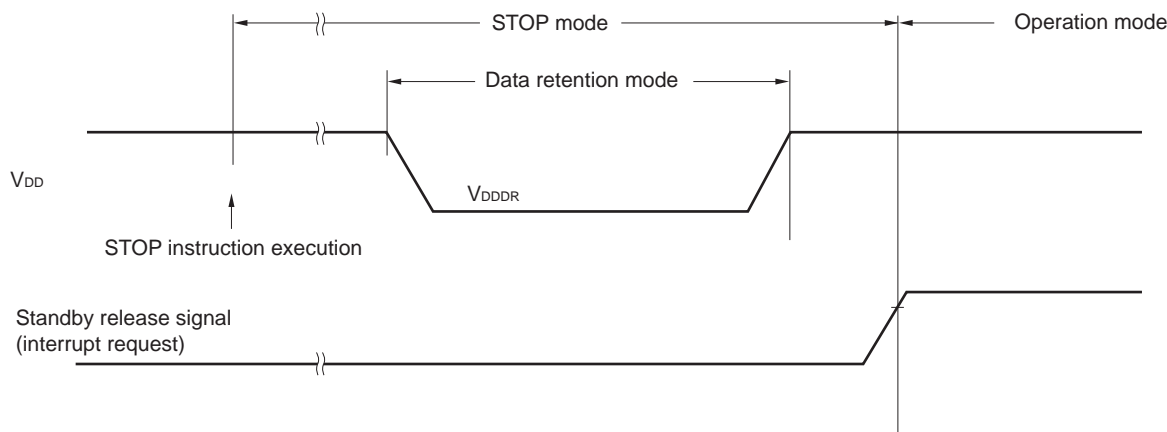
C1 = C2 = C3 = C4 = 0.47 μF±30%

30.8 Data Memory STOP Mode Low Supply Voltage Data Retention Characteristics

(T_A = -40 to +85°C, V_{SS} = 0 V)

Parameter	Symbol	Conditions	MIN.	TYP.	MAX.	Unit
Data retention supply voltage	V _{DDDR}		1.46 ^{Note}		5.5	V

Note The value depends on the POR detection voltage. When the voltage drops, the data is retained before a POR reset is effected, but data is not retained when a POR reset is effected.



30.9 Flash Memory Programming Characteristics

(T_A = -40 to +85°C, 1.8 V ≤ EV_{DD} = V_{DD} ≤ 5.5 V, V_{SS} = EV_{SS} = 0 V)

Parameter	Symbol	Conditions	MIN.	TYP.	MAX.	Unit
System clock frequency	f _{CLK}	1.8 V ≤ V _{DD} ≤ 5.5 V	1		24	MHz
Number of code flash rewrites <small>Note 1, 2, 3</small>	C _{enwr}	Retained for 20 years T _A = 85°C	1,000			Times
Number of data flash rewrites <small>Note 1, 2, 3</small>		Retained for 1 year T _A = 25°C		1,000,000		
		Retained for 5 years T _A = 85°C	100,000			
		Retained for 20 years T _A = 85°C	10,000			

- Notes**
1. 1 erase + 1 write after the erase is regarded as 1 rewrite.
The retaining years are until next rewrite after the rewrite.
 2. When using flash memory programmer and Renesas Electronics self programming library
 3. This characteristic indicates the flash memory characteristic and based on Renesas Electronics reliability test.

Remark When updating data multiple times, use the flash memory as one for updating data.

<R> 30.10 Dedicated Flash Memory Programmer Communication (UART)

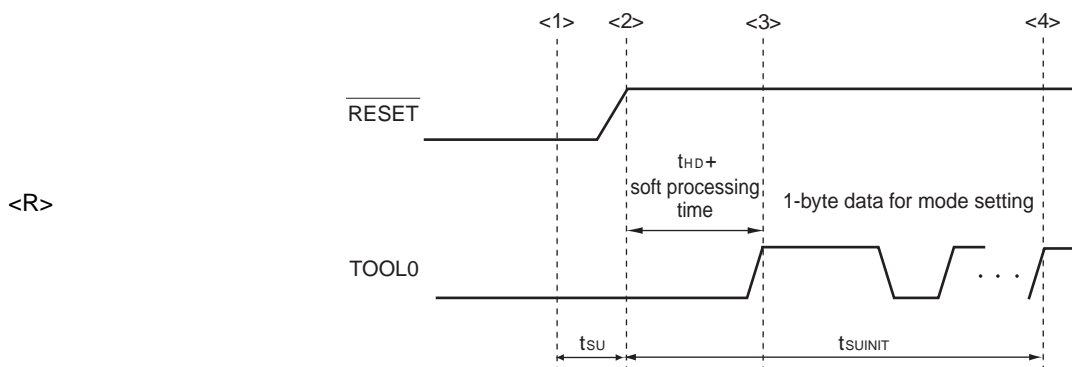
(T_A = -40 to +85°C, 1.8 V ≤ EV_{DD} = V_{DD} ≤ 5.5 V, V_{SS} = EV_{SS} = 0 V)

Parameter	Symbol	Conditions	MIN.	TYP.	MAX.	Unit
Transfer rate		During flash memory programming	115,200		1,000,000	bps

30.11 Timing Specifications for Switching Flash Memory Programming Modes

(T_A = -40 to +85°C, 1.8 V ≤ EV_{DD} = V_{DD} ≤ 5.5 V, V_{SS} = EV_{SS} = 0 V)

Parameter	Symbol	Conditions	MIN.	TYP.	MAX.	Unit
Time to complete the communication for the initial setting after the external reset is released	t _{SUINIT}	POR and LVD reset must be released before the external reset is released.			100	ms
Time to release the external reset after the TOOL0 pin is set to the low level	t _{SU}	POR and LVD reset must be released before the external reset is released.	10			μs
Time to hold the TOOL0 pin at the low level after the external reset is released (excluding the processing time of the firmware to control the flash memory)	t _{HD}	POR and LVD reset must be released before the external reset is released.	1			ms



- <1> The low level is input to the TOOL0 pin.
- <2> The external reset is released (POR and LVD reset must be released before the external reset is released.).
- <3> The TOOL0 pin is set to the high level.
- <4> Setting of the flash memory programming mode by UART reception and complete the baud rate setting.

Remark t_{SUINIT}: Communication for the initial setting must be completed within 100 ms after a reset is released during this period.

t_{SU}: Time to release the external reset after the TOOL0 pin is set to the low level

t_{HD}: Time to hold the TOOL0 pin at the low level after the external reset is released (excluding the processing time of the firmware to control the flash memory)

<R>

CHAPTER 31 ELECTRICAL SPECIFICATIONS (G: T_A = -40 to +105°C)

This chapter describes the electrical specifications for the products "G: Industrial applications (T_A = -40 to +105°C)".

- Cautions**
1. The RL78 microcontrollers have an on-chip debug function, which is provided for development and evaluation. Do not use the on-chip debug function in products designated for mass production, because the guaranteed number of rewritable times of the flash memory may be exceeded when this function is used, and product reliability therefore cannot be guaranteed. Renesas Electronics is not liable for problems occurring when the on-chip debug function is used.
 2. With products not provided with an EV_{DD} or EV_{SS} pin, replace EV_{DD} with V_{DD}, or replace EV_{SS} with V_{SS}.
 3. The pins mounted depend on the product. Refer to 2.1 Port Function to 2.2.1 Pins for each product (pins other than port pins).
 4. For derating with T_A = +85 to +105°C, contact our Sales Division or the vender's sales division. Derating means the specified reduction in an operating parameter to improve reliability.

There are following differences between the products "G: Industrial applications ($T_A = -40$ to $+105^\circ\text{C}$)" and the products "A: Consumer applications, and G: Industrial applications ($T_A = -40$ to $+85^\circ\text{C}$)".

Parameter	Application	
	A: Consumer applications, G: Industrial applications (with $T_A = -40$ to $+85^\circ\text{C}$)	G: Industrial applications
Operating ambient temperature	$T_A = -40$ to $+85^\circ\text{C}$	$T_A = -40$ to $+105^\circ\text{C}$
Operating mode Operating voltage range	HS (high-speed main) mode: $2.7\text{ V} \leq V_{DD} \leq 5.5\text{ V}@1\text{ MHz to }32\text{ MHz}$ $2.4\text{ V} \leq V_{DD} \leq 5.5\text{ V}@1\text{ MHz to }16\text{ MHz}$ LS (low-speed main) mode: $1.8\text{ V} \leq V_{DD} \leq 5.5\text{ V}@1\text{ MHz to }8\text{ MHz}$ LV (low-voltage main) mode: $1.6\text{ V} \leq V_{DD} \leq 5.5\text{ V}@1\text{ MHz to }4\text{ MHz}$	HS (high-speed main) mode only: $2.7\text{ V} \leq V_{DD} \leq 5.5\text{ V}@1\text{ MHz to }32\text{ MHz}$ $2.4\text{ V} \leq V_{DD} \leq 5.5\text{ V}@1\text{ MHz to }16\text{ MHz}$
High-speed on-chip oscillator clock accuracy	$1.8\text{ V} \leq V_{DD} \leq 5.5\text{ V}$: $\pm 1.0\%$ @ $T_A = -20$ to $+85^\circ\text{C}$ $\pm 1.5\%$ @ $T_A = -40$ to -20°C $1.6\text{ V} \leq V_{DD} < 1.8\text{ V}$: $\pm 5.0\%$ @ $T_A = -20$ to $+85^\circ\text{C}$ $\pm 5.5\%$ @ $T_A = -40$ to -20°C	$2.4\text{ V} \leq V_{DD} \leq 5.5\text{ V}$: $\pm 2.0\%$ @ $T_A = +85$ to $+105^\circ\text{C}$ $\pm 1.0\%$ @ $T_A = -20$ to $+85^\circ\text{C}$ $\pm 1.5\%$ @ $T_A = -40$ to -20°C
Serial array unit	UART CSI00: $f_{CLK}/2$ (supporting 16 Mbps), $f_{CLK}/4$ CSI01 Simplified I ² C communication	UART CSI00: $f_{CLK}/4$ CSI01 Simplified I ² C communication
IICA	Normal mode Fast mode Fast mode plus	Normal mode Fast mode
Voltage detector	Rise detection voltage: 1.67 V to 4.06 V (14 levels) Fall detection voltage: 1.63 V to 3.98 V (14 levels)	Rise detection voltage: 2.61 V to 4.06 V (8 levels) Fall detection voltage: 2.55 V to 3.98 V (8 levels)

Remark The electrical characteristics of the products G: Industrial applications ($T_A = -40$ to $+105^\circ\text{C}$) are different from those of the products "A: Consumer applications, and G: Industrial applications (only with $T_A = -40$ to $+85^\circ\text{C}$)". For details, refer to **31.1** to **31.10**.

31.1 Absolute Maximum Ratings

Absolute Maximum Ratings (T_A = 25°C)

(1/3)

Parameter	Symbols	Conditions	Ratings	Unit
Supply voltage	V _{DD}	V _{DD} = EV _{DD}	-0.5 to +6.5	V
	EV _{DD}	V _{DD} = EV _{DD}	-0.5 to +6.5	V
	EV _{SS}		-0.5 to +0.3	V
REGC pin input voltage	V _{I REGC}	REGC	-0.3 to +2.8 and -0.3 to V _{DD} + 0.3 ^{Note 1}	V
Input voltage	V _{I1}	P10 to P17, P30 to P32, P40 to P43, P50 to P54, P70 to P74, P120, P125 to P127, P140 to P147	-0.3 to EV _{DD} + 0.3 and -0.3 to V _{DD} + 0.3 ^{Note 2}	V
	V _{I2}	P60, P61 (N-ch open-drain)	-0.3 to EV _{DD} + 0.3 and -0.3 to V _{DD} + 0.3 ^{Note 2}	V
	V _{I3}	P20, P21, P121 to P124, P137, EXCLK, EXCLKS, RESET	-0.3 to V _{DD} + 0.3 ^{Note 2}	V
Output voltage	V _{O1}	P10 to P17, P30 to P32, P40 to P43, P50 to P54, P60, P61, P70 to P74, P120, P125 to P127, P130, P140 to P147	-0.3 to EV _{DD} + 0.3 and -0.3 to V _{DD} + 0.3 ^{Note 2}	V
	V _{O2}	P20, P21	-0.3 to V _{DD} + 0.3 ^{Note 2}	V
Analog input voltage	V _{AI1}	ANI16 to ANI23	-0.3 to EV _{DD} + 0.3 and -0.3 to AV _{REF} (+) + 0.3 ^{Notes 2, 3}	V
	V _{AI2}	ANI0, ANI1	-0.3 to V _{DD} + 0.3 and -0.3 to AV _{REF} (+) + 0.3 ^{Notes 2, 3}	V

Notes 1. Connect the REGC pin to V_{SS} via a capacitor (0.47 to 1 μF). This value regulates the absolute maximum rating of the REGC pin. Do not use this pin with voltage applied to it.

2. Must be 6.5 V or lower.

3. Do not exceed AV_{REF}(+) + 0.3 V in case of A/D conversion target pin.

Caution Product quality may suffer if the absolute maximum rating is exceeded even momentarily for any parameter. That is, the absolute maximum ratings are rated values at which the product is on the verge of suffering physical damage, and therefore the product must be used under conditions that ensure that the absolute maximum ratings are not exceeded.

Remarks 1. Unless specified otherwise, the characteristics of alternate-function pins are the same as those of the port pins.

2. AV_{REF}(+) : + side reference voltage of the A/D converter.

3. V_{SS} : Reference voltage

Absolute Maximum Ratings (T_A = 25°C)**(2/3)**

Parameter	Symbols	Conditions	Ratings	Unit
LCD voltage	V _{L1}	V _{L1} voltage ^{Note 1}	-0.3 to +2.8 and -0.3 to V _{L4} + 0.3	V
	V _{L2}	V _{L2} voltage ^{Note 1}	-0.3 to V _{L4} + 0.3 ^{Note 2}	V
	V _{L3}	V _{L3} voltage ^{Note 1}	-0.3 to V _{L4} + 0.3 ^{Note 2}	V
	V _{L4}	V _{L4} voltage ^{Note 1}	-0.3 to +6.5	V
	V _{LCAP}	CAPL, CAPH voltage ^{Note 1}	-0.3 to V _{L4} + 0.3 ^{Note 2}	V
	V _{LOUT}	COM0 to COM7, SEG0 to SEG38, output voltage	External resistance division method Capacitor split method Internal voltage boosting method	-0.3 to V _{DD} + 0.3 ^{Note 2} -0.3 to V _{DD} + 0.3 ^{Note 2} -0.3 to V _{L4} + 0.3 ^{Note 2}

- Notes**
- This value only indicates the absolute maximum ratings when applying voltage to the V_{L1}, V_{L2}, V_{L3}, and V_{L4} pins; it does not mean that applying voltage to these pins is recommended. When using the internal voltage boosting method or capacitance split method, connect these pins to V_{SS} via a capacitor (0.47 μF ± 30%) and connect a capacitor (0.47 μF ± 30%) between the CAPL and CAPH pins.
 - Must be 6.5 V or lower.

Caution Product quality may suffer if the absolute maximum rating is exceeded even momentarily for any parameter. That is, the absolute maximum ratings are rated values at which the product is on the verge of suffering physical damage, and therefore the product must be used under conditions that ensure that the absolute maximum ratings are not exceeded.

Remark V_{SS} : Reference voltage

Absolute Maximum Ratings (T_A = 25°C)**(3/3)**

Parameter	Symbols	Conditions		Ratings	Unit
Output current, high	I _{OH1}	Per pin	P10 to P17, P30 to P32, P40 to P43, P50 to P54, P70 to P74, P120, P125 to P127, P130, P140 to P147	-40	mA
		Total of all pins -170 mA	P10 to P14, P40 to P43, P120, P130, P140 to P147	-70	mA
			P15 to P17, P30 to P32, P50 to P54, P70 to P74, P125 to P127	-100	mA
	I _{OH2}	Per pin	P20, P21	-0.5	mA
		Total of all pins		-1	mA
Output current, low	I _{OL1}	Per pin	P10 to P17, P30 to P32, P40 to P43, P50 to P54, P60, P61, P70 to P74, P120, P125 to P127, P130, P140 to P147	40	mA
		Total of all pins 170 mA	P10 to P14, P40 to P43, P120, P130, P140 to P147	70	mA
			P15 to P17, P30 to P32, P50 to P54, P60, P61, P70 to P74, P125 to P127	100	mA
	I _{OL2}	Per pin	P20, P21	1	mA
		Total of all pins		2	mA
Operating ambient temperature	T _A	In normal operation mode		-40 to +105	°C
		In flash memory programming mode			
Storage temperature	T _{stg}			-65 to +150	°C

Caution Product quality may suffer if the absolute maximum rating is exceeded even momentarily for any parameter. That is, the absolute maximum ratings are rated values at which the product is on the verge of suffering physical damage, and therefore the product must be used under conditions that ensure that the absolute maximum ratings are not exceeded.

Remark Unless specified otherwise, the characteristics of alternate-function pins are the same as those of the port pins.

31.2 Oscillator Characteristics

31.2.1 X1, XT1 oscillator characteristics

(T_A = -40 to +105°C, 2.4 V ≤ EV_{DD} = V_{DD} ≤ 5.5 V, V_{SS} = EV_{SS} = 0 V)

Parameter	Resonator	Conditions	MIN.	TYP.	MAX.	Unit
X1 clock oscillation frequency (f _X) ^{Note}	Ceramic resonator/ crystal resonator	2.7 V ≤ V _{DD} ≤ 5.5 V	1.0		20.0	MHz
		2.4 V ≤ V _{DD} < 2.7 V	1.0		16.0	MHz
XT1 clock oscillation frequency (f _{XT}) ^{Note}	Crystal resonator		32	32.768	35	kHz

Note Indicates only permissible oscillator frequency ranges. Refer to **31.4 AC Characteristics** for instruction execution time. Request evaluation by the manufacturer of the oscillator circuit mounted on a board to check the oscillator characteristics.

Caution Since the CPU is started by the high-speed on-chip oscillator clock after a reset release, check the X1 clock oscillation stabilization time using the oscillation stabilization time counter status register (OSTC) by the user. Determine the oscillation stabilization time of the OSTC register and the oscillation stabilization time select register (OSTS) after sufficiently evaluating the oscillation stabilization time with the resonator to be used.

Remark When using the X1 oscillator and XT1 oscillator, refer to **5.4 System Clock Oscillator**.

31.2.2 On-chip oscillator characteristics

(T_A = -40 to +105°C, 2.4 V ≤ EV_{DD} = V_{DD} ≤ 5.5 V, V_{SS} = EV_{SS} = 0 V)

Oscillators	Parameters	Conditions		MIN.	TYP.	MAX.	Unit
High-speed on-chip oscillator clock frequency ^{Notes 1, 2}	f _{IH}			1		24	MHz
High-speed on-chip oscillator clock frequency accuracy		-20 to +85°C	2.4 V ≤ V _{DD} ≤ 5.5 V	-1		+1	%
		-40 to -20°C	2.4 V ≤ V _{DD} ≤ 5.5 V	-1.5		+1.5	%
		+85 to +105°C	2.4 V ≤ V _{DD} ≤ 5.5 V	-2.0		+2.0	%
Low-speed on-chip oscillator clock frequency	f _{IL}				15		kHz
Low-speed on-chip oscillator clock frequency accuracy				-15		+15	%

Notes 1. High-speed on-chip oscillator frequency is selected by bits 0 to 3 of option byte (000C2H) and bits 0 to 2 of HOCODIV register.

2. This indicates the oscillator characteristics only. Refer to **31.4 AC Characteristics** for instruction execution time.

31.3 DC Characteristics

31.3.1 Pin characteristics

(T_A = -40 to +105°C, 2.4 V ≤ EV_{DD} = V_{DD} ≤ 5.5 V, V_{SS} = EV_{SS} = 0 V) (1/5)

Items	Symbol	Conditions		MIN.	TYP.	MAX.	Unit	
Output current, high ^{Note 1}	I _{OH1}	Per pin for P10 to P17, P30 to P32, P40 to P43, P50 to P54, P70 to P74, P120, P125 to P127, P130, P140 to P147				-3.0 ^{Note 2}	mA	
		Total of P10 to P14, P40 to P43, P120, P130, P140 to P147 (When duty = 70% ^{Note 3})	4.0 V ≤ EV _{DD} ≤ 5.5 V			-30.0	mA	
			2.7 V ≤ EV _{DD} < 4.0 V			-8.0	mA	
			2.4 V ≤ EV _{DD} < 2.7 V			-4.0	mA	
		Total of P15 to P17, P30 to P32, P50 to P54, P70 to P74, P125 to P127 (When duty = 70% ^{Note 3})	4.0 V ≤ EV _{DD} ≤ 5.5 V			-30.0	mA	
			2.7 V ≤ EV _{DD} < 4.0 V			-15.0	mA	
			2.4 V ≤ EV _{DD} < 2.7 V			-8.0	mA	
	Total of all pins (When duty = 70% ^{Note 3})						-60.0	mA
	I _{OH2}	P20, P21	Per pin				-0.1	mA
			Total of all pins	2.4 V ≤ V _{DD} ≤ 5.5 V			-0.2	mA

Notes 1. Value of current at which the device operation is guaranteed even if the current flows from the V_{DD} and EV_{DD} pins to an output pin.

2. Do not exceed the total current value.

3. Specification under conditions where the duty factor ≤ 70%.

The output current value that has changed to the duty factor > 70% the duty ratio can be calculated with the following expression (when changing the duty factor from 70% to n%).

- Total output current of pins = (I_{OH} × 0.7)/(n × 0.01)

<Example> Where n = 80% and I_{OH} = -30.0 mA

$$\text{Total output current of pins} = (-30.0 \times 0.7)/(80 \times 0.01) \cong -26.25 \text{ mA}$$

However, the current that is allowed to flow into one pin does not vary depending on the duty factor. A current higher than the absolute maximum rating must not flow into one pin.

Caution P10, P12, P15, and P17 do not output high level in N-ch open-drain mode.

Remark Unless specified otherwise, the characteristics of alternate-function pins are the same as those of the port pins.

(T_A = -40 to +105°C, 2.4 V ≤ EV_{DD} = V_{DD} ≤ 5.5 V, V_{SS} = EV_{SS} = 0 V) (2/5)

Items	Symbol	Conditions	MIN.	TYP.	MAX.	Unit	
Output current, I _{OL} ^{Note 1}	I _{OL1}	Per pin for P10 to P17, P30 to P32, P40 to P43, P50 to P54, P70 to P74, P120, P125 to P127, P130, P140 to P147			8.5 ^{Note 2}	mA	
		Per pin for P60, P61			15.0 ^{Note 2}	mA	
		Total of P10 to P14, P40 to P43, P120, P130, P140 to P147 (When duty = 70% ^{Note 3})	4.0 V ≤ EV _{DD} ≤ 5.5 V			40.0	mA
			2.7 V ≤ EV _{DD} < 4.0 V			15.0	mA
			2.4 V ≤ EV _{DD} < 2.7 V			9.0	mA
		Total of P15 to P17, P30 to P32, P50 to P54, P60, P61, P70 to P74, P125 to P127 (When duty = 70% ^{Note 3})	4.0 V ≤ EV _{DD} ≤ 5.5 V			40.0	mA
			2.7 V ≤ EV _{DD} < 4.0 V			35.0	mA
	2.4 V ≤ EV _{DD} < 2.7 V				20.0	mA	
	Total of all pins (When duty = 70% ^{Note 3})				80.0	mA	
	I _{OL2}	P20, P21	Per pin			0.4	mA
Total of all pins			2.4 V ≤ V _{DD} ≤ 5.5 V			0.8	mA

Notes 1. Value of current at which the device operation is guaranteed even if the current flows from the V_{DD} and EV_{DD} pins to an output pin.

2. Do not exceed the total current value.

3. Specification under conditions where the duty factor ≤ 70%.

The output current value that has changed to the duty factor > 70% the duty ratio can be calculated with the following expression (when changing the duty factor from 70% to n%).

- Total output current of pins = (I_{OL} × 0.7)/(n × 0.01)

<Example> Where n = 80% and I_{OL} = 40.0 mA

$$\text{Total output current of pins} = (40.0 \times 0.7)/(80 \times 0.01) \cong 35.0 \text{ mA}$$

However, the current that is allowed to flow into one pin does not vary depending on the duty factor. A current higher than the absolute maximum rating must not flow into one pin.

Remark Unless specified otherwise, the characteristics of alternate-function pins are the same as those of the port pins.

(T_A = -40 to +105°C, 2.4 V ≤ EV_{DD} = V_{DD} ≤ 5.5 V, V_{SS} = EV_{SS} = 0 V) (3/5)

Items	Symbol	Conditions	MIN.	TYP.	MAX.	Unit	
Input voltage, high	V _{IH1}	P10 to P17, P30 to P32, P40 to P43, P50 to P54, P70 to P74, P120, P125 to P127, P140 to P147	Normal input buffer	0.8EV _{DD}		EV _{DD}	V
	V _{IH2}	P10, P11, P15, P16	TTL input buffer 4.0 V ≤ EV _{DD} ≤ 5.5 V	2.2		EV _{DD}	V
			TTL input buffer 3.3 V ≤ EV _{DD} < 4.0 V	2.0		EV _{DD}	V
			TTL input buffer 2.4 V ≤ EV _{DD} < 3.3 V	1.50		EV _{DD}	V
	V _{IH3}	P20, P21		0.7V _{DD}		V _{DD}	V
	V _{IH4}	P60, P61		0.7EV _{DD}		EV _{DD}	V
	V _{IH5}	P121 to P124, P137, EXCLK, EXCLKS, RESET		0.8V _{DD}		V _{DD}	V
Input voltage, low	V _{IL1}	P10 to P17, P30 to P32, P40 to P43, P50 to P54, P70 to P74, P120, P125 to P127, P140 to P147	Normal input buffer	0		0.2EV _{DD}	V
	V _{IL2}	P10, P11, P15, P16	TTL input buffer 4.0 V ≤ EV _{DD} ≤ 5.5 V	0		0.8	V
			TTL input buffer 3.3 V ≤ EV _{DD} < 4.0 V	0		0.5	V
			TTL input buffer 2.4 V ≤ EV _{DD} < 3.3 V	0		0.32	V
	V _{IL3}	P20, P21		0		0.3V _{DD}	V
	V _{IL4}	P60, P61		0		0.3EV _{DD}	V
	V _{IL5}	P121 to P124, P137, EXCLK, EXCLKS, RESET		0		0.2V _{DD}	V

Caution The maximum value of V_{IH} of pins P10, P12, P15, and P17 is EV_{DD}, even in the N-ch open-drain mode.

Remark Unless specified otherwise, the characteristics of alternate-function pins are the same as those of the port pins.

($T_A = -40$ to $+105^\circ\text{C}$, $2.4\text{ V} \leq EV_{DD} = V_{DD} \leq 5.5\text{ V}$, $V_{SS} = EV_{SS} = 0\text{ V}$) **(4/5)**

Items	Symbol	Conditions	MIN.	TYP.	MAX.	Unit	
Output voltage, high	V _{OH1}	P10 to P17, P30 to P32, P40 to P43, P50 to P54, P70 to P74, P120, P125 to P127, P130, P140 to P147	$4.0\text{ V} \leq EV_{DD} \leq 5.5\text{ V}$, $I_{OH1} = -3.0\text{ mA}$			$EV_{DD} - 0.7$	V
			$2.7\text{ V} \leq EV_{DD} \leq 5.5\text{ V}$, $I_{OH1} = -2.0\text{ mA}$			$EV_{DD} - 0.6$	V
			$2.4\text{ V} \leq EV_{DD} \leq 5.5\text{ V}$, $I_{OH1} = -1.5\text{ mA}$			$EV_{DD} - 0.5$	V
	V _{OH2}	P20, P21	$2.4\text{ V} \leq V_{DD} \leq 5.5\text{ V}$, $I_{OH2} = -100\ \mu\text{A}$			$V_{DD} - 0.5$	V
Output voltage, low	V _{OL1}	P10 to P17, P30 to P32, P40 to P43, P50 to P54, P70 to P74, P120, P125 to P127, P130, P140 to P147	$4.0\text{ V} \leq EV_{DD} \leq 5.5\text{ V}$, $I_{OL1} = 8.5\text{ mA}$			0.7	V
			$2.7\text{ V} \leq EV_{DD} \leq 5.5\text{ V}$, $I_{OL1} = 3.0\text{ mA}$			0.6	V
			$2.7\text{ V} \leq EV_{DD} \leq 5.5\text{ V}$, $I_{OL1} = 1.5\text{ mA}$			0.4	V
			$2.4\text{ V} \leq EV_{DD} \leq 5.5\text{ V}$, $I_{OL1} = 0.6\text{ mA}$			0.4	V
	V _{OL2}	P20, P21	$2.4\text{ V} \leq V_{DD} \leq 5.5\text{ V}$, $I_{OL2} = 400\ \mu\text{A}$			0.4	V
	V _{OL3}	P60, P61	$4.0\text{ V} \leq EV_{DD} \leq 5.5\text{ V}$, $I_{OL3} = 15.0\text{ mA}$			2.0	V
			$4.0\text{ V} \leq EV_{DD} \leq 5.5\text{ V}$, $I_{OL3} = 5.0\text{ mA}$			0.4	V
			$2.7\text{ V} \leq EV_{DD} \leq 5.5\text{ V}$, $I_{OL3} = 3.0\text{ mA}$			0.4	V
			$2.4\text{ V} \leq EV_{DD} \leq 5.5\text{ V}$, $I_{OL3} = 2.0\text{ mA}$			0.4	V

Caution P10, P12, P15, and P17 do not output high level in N-ch open-drain mode.

Remark Unless specified otherwise, the characteristics of alternate-function pins are the same as those of the port pins.

(T_A = -40 to +105°C, 2.4 V ≤ EV_{DD} = V_{DD} ≤ 5.5 V, V_{SS} = EV_{SS} = 0 V) (5/5)

Items	Symbol	Conditions		MIN.	TYP.	MAX.	Unit	
Input leakage current, high	I _{LIH1}	P10 to P17, P30 to P32, P40 to P43, P50 to P54, P60, P61, P70 to P74, P120, P125 to P127, P140 to P147	V _i = EV _{DD}			1	μA	
	I _{LIH2}	P20, P21, P137, RESET	V _i = V _{DD}			1	μA	
	I _{LIH3}	P121 to P124 (X1, X2, XT1, XT2, EXCLK, EXCLKS)	V _i = V _{DD}	In input port or external clock input			1	μA
				In resonator connection			10	μA
Input leakage current, low	I _{LIL1}	P10 to P17, P30 to P32, P40 to P43, P50 to P54, P60, P61, P70 to P74, P120, P125 to P127, P140 to P147	V _i = EV _{SS}			-1	μA	
	I _{LIL2}	P20, P21, P137, RESET	V _i = V _{SS}			-1	μA	
	I _{LIL3}	P121 to P124 (X1, X2, XT1, XT2, EXCLK, EXCLKS)	V _i = V _{SS}	In input port or external clock input			-1	μA
				In resonator connection			-10	μA
On-chip pll-up resistance	R _{U1}	V _i = EV _{SS}	SEGxx port					
			2.4 V ≤ EV _{DD} = V _{DD} ≤ 5.5 V	10	20	100	kΩ	
	R _{U2}		Ports other than above (Except for P60, P61, and P130)	10	20	100	kΩ	

Remark Unless specified otherwise, the characteristics of alternate-function pins are the same as those of the port pins.

31.3.2 Supply current characteristics

(T_A = -40 to +105°C, 2.4 V ≤ EV_{DD} = V_{DD} ≤ 5.5 V, V_{SS} = EV_{SS} = 0 V)

(1/3)

Parameter	Symbol	Conditions				MIN.	TYP.	MAX.	Unit	
Supply current Note 1	I _{DD1}	Operating mode	HS (high-speed main) mode Note 5	f _{IH} = 24 MHz Note 3	Basic operation	V _{DD} = 5.0 V	1.5		mA	
						V _{DD} = 3.0 V		1.5		mA
				Normal operation	V _{DD} = 5.0 V		3.3	5.3	mA	
					V _{DD} = 3.0 V		3.3	5.3	mA	
				f _{IH} = 16 MHz Note 3	Normal operation	V _{DD} = 5.0 V		2.5	3.9	mA
						V _{DD} = 3.0 V		2.5	3.9	mA
			HS (high-speed main) mode Note 5	f _{MX} = 20 MHz Note 2, V _{DD} = 5.0 V	Normal operation	Square wave input		2.8	4.7	mA
						Resonator connection		3.0	4.8	mA
				f _{MX} = 20 MHz Note 2, V _{DD} = 3.0 V	Normal operation	Square wave input		2.8	4.7	mA
						Resonator connection		3.0	4.8	mA
		f _{MX} = 10 MHz Note 2, V _{DD} = 5.0 V		Normal operation	Square wave input		1.8	2.8	mA	
					Resonator connection		1.8	2.8	mA	
		f _{MX} = 10 MHz Note 2, V _{DD} = 3.0 V		Normal operation	Square wave input		1.8	2.8	mA	
					Resonator connection		1.8	2.8	mA	
		Subsystem clock operation	f _{SUB} = 32.768 kHz Note 4 T _A = -40°C	Normal operation	Square wave input		3.5	4.9	μA	
					Resonator connection		3.6	5.0	μA	
			f _{SUB} = 32.768 kHz Note 4 T _A = +25°C	Normal operation	Square wave input		3.6	4.9	μA	
					Resonator connection		3.7	5.0	μA	
			f _{SUB} = 32.768 kHz Note 4 T _A = +50°C	Normal operation	Square wave input		3.7	5.5	μA	
					Resonator connection		3.8	5.6	μA	
f _{SUB} = 32.768 kHz Note 4 T _A = +70°C	Normal operation		Square wave input		3.8	6.3	μA			
			Resonator connection		3.9	6.4	μA			
f _{SUB} = 32.768 kHz Note 4 T _A = +85°C	Normal operation		Square wave input		4.1	7.7	μA			
			Resonator connection		4.2	7.8	μA			
f _{SUB} = 32.768 kHz Note 4 T _A = +105°C	Normal operation	Square wave input		6.4	19.7	μA				
		Resonator connection		6.5	19.8	μA				

(Notes and Remarks are listed on the next page.)

- Notes**
1. Total current flowing into V_{DD} and EV_{DD}, including the input leakage current flowing when the level of the input pin is fixed to V_{DD}, EV_{DD} or V_{SS}, EV_{SS}. The values below the MAX. column include the peripheral operation current. However, not including the current flowing into the A/D converter, LVD circuit, I/O port, and on-chip pull-up/pull-down resistors and the current flowing during data flash rewrite.
 2. When high-speed on-chip oscillator and subsystem clock are stopped.
 3. When high-speed system clock and subsystem clock are stopped.
 4. When high-speed on-chip oscillator and high-speed system clock are stopped. When AMPHS1 = 1 (Ultra-low power consumption oscillation). However, not including the current flowing into the RTC, 12-bit interval timer, watchdog timer, and LCD controller/driver.
 5. Relationship between operation voltage width, operation frequency of CPU and operation mode is as below.
HS (high-speed main) mode: 2.7 V ≤ V_{DD} ≤ 5.5 V@1 MHz to 24 MHz
2.4 V ≤ V_{DD} ≤ 5.5 V@1 MHz to 16 MHz

- Remarks**
1. f_{MX}: High-speed system clock frequency (X1 clock oscillation frequency or external main system clock frequency)
 2. f_{IH}: High-speed on-chip oscillator clock frequency
 3. f_{SUB}: Subsystem clock frequency (XT1 clock oscillation frequency)
 4. Except subsystem clock operation, temperature condition of the TYP. value is T_A = 25°C

(T_A = -40 to +105°C, 2.4 V ≤ EV_{DD} = V_{DD} ≤ 5.5 V, V_{SS} = EV_{SS} = 0 V)

(2/3)

Parameter	Symbol	Conditions				MIN.	TYP.	MAX.	Unit	
Supply current Note 1	I _{DD2} Note 2	HALT mode	HS (high-speed main) mode Note 7	f _{IH} = 24 MHz ^{Note 4}	V _{DD} = 5.0 V		0.44	2.3	mA	
					V _{DD} = 3.0 V		0.44	2.3	mA	
				f _{IH} = 16 MHz ^{Note 4}	V _{DD} = 5.0 V		0.40	1.7	mA	
					V _{DD} = 3.0 V		0.40	1.7	mA	
				HS (high-speed main) mode Note 7	f _{MX} = 20 MHz ^{Note 3} , V _{DD} = 5.0 V	Square wave input		0.28	1.9	mA
						Resonator connection		0.45	2.0	mA
			f _{MX} = 20 MHz ^{Note 3} , V _{DD} = 3.0 V		Square wave input		0.28	1.9	mA	
					Resonator connection		0.45	2.0	mA	
			f _{MX} = 10 MHz ^{Note 3} , V _{DD} = 5.0 V		Square wave input		0.19	1.02	mA	
					Resonator connection		0.26	1.10	mA	
			Subsystem clock operation	f _{SUB} = 32.768 kHz ^{Note 5} T _A = -40°C	Square wave input		0.31	0.57	μA	
					Resonator connection		0.50	0.76	μA	
				f _{SUB} = 32.768 kHz ^{Note 5} T _A = +25°C	Square wave input		0.37	0.57	μA	
					Resonator connection		0.56	0.76	μA	
	f _{SUB} = 32.768 kHz ^{Note 5} T _A = +50°C	Square wave input			0.46	1.17	μA			
		Resonator connection			0.65	1.36	μA			
	f _{SUB} = 32.768 kHz ^{Note 5} T _A = +70°C	Square wave input			0.57	1.97	μA			
		Resonator connection			0.76	2.16	μA			
	f _{SUB} = 32.768 kHz ^{Note 5} T _A = +85°C	Square wave input		0.85	3.37	μA				
		Resonator connection		1.04	3.56	μA				
f _{SUB} = 32.768 kHz ^{Note 5} T _A = +105°C	Square wave input		3.04	15.37	μA					
	Resonator connection		3.23	15.56	μA					
I _{DD3} ^{Note 6}	STOP mode Note 8	T _A = -40°C				0.17	0.50	μA		
		T _A = +25°C				0.23	0.50	μA		
		T _A = +50°C				0.32	1.10	μA		
		T _A = +70°C				0.43	1.90	μA		
		T _A = +85°C				0.71	3.30	μA		
		T _A = +105°C				2.90	15.30	μA		

(Notes and Remarks are listed on the next page.)

- Notes**
1. Total current flowing into V_{DD} and EV_{DD}, including the input leakage current flowing when the level of the input pin is fixed to V_{DD}, EV_{DD} or V_{SS}, EV_{SS}. The values below the MAX. column include the peripheral operation current. However, not including the current flowing into the A/D converter, LVD circuit, I/O port, and on-chip pull-up/pull-down resistors and the current flowing during data flash rewrite.
 2. During HALT instruction execution by flash memory.
 3. When high-speed on-chip oscillator and subsystem clock are stopped.
 4. When high-speed system clock and subsystem clock are stopped.
 5. When high-speed on-chip oscillator and high-speed system clock are stopped. When RTCLPC = 1 and setting ultra-low current consumption (AMPHS1 = 1). The current flowing into the RTC is included. However, not including the current flowing into the 12-bit interval timer, watchdog timer, and LCD controller/driver.
 6. Not including the current flowing into the RTC, 12-bit interval timer, and watchdog timer.
 7. Relationship between operation voltage width, operation frequency of CPU and operation mode is as below.
HS (high-speed main) mode: $2.7\text{ V} \leq V_{DD} \leq 5.5\text{ V}@1\text{ MHz to }24\text{ MHz}$
 $2.4\text{ V} \leq V_{DD} \leq 5.5\text{ V}@1\text{ MHz to }16\text{ MHz}$
 8. Regarding the value for current operate the subsystem clock in STOP mode, refer to that in HALT mode.

- Remarks**
1. f_{MX}: High-speed system clock frequency (X1 clock oscillation frequency or external main system clock frequency)
 2. f_{IH}: High-speed on-chip oscillator clock frequency
 3. f_{SUB}: Subsystem clock frequency (XT1 clock oscillation frequency)
 4. Except subsystem clock operation and STOP mode, temperature condition of the TYP. value is T_A = 25°C

(T_A = -40 to +105°C, 2.4 V ≤ EV_{DD} = V_{DD} ≤ 5.5 V, V_{SS} = EV_{SS} = 0 V)

(3/3)

Parameter	Symbol	Conditions		MIN.	TYP.	MAX.	Unit
Low-speed on-chip oscillator operating current	I _{FIL} ^{Note 1}				0.20		μA
RTC operating current	I _{RTC} Notes 1, 2, 3	f _{MAIN} is stopped			0.08		μA
12-bit interval timer current	I _{IT} Notes 1, 2, 4				0.08		μA
Watchdog timer operating current	I _{WDT} Notes 1, 2, 5	f _{IL} = 15 kHz			0.24		μA
A/D converter operating current	I _{ADC} Notes 1, 6	When conversion at maximum speed	Normal mode, AV _{REFP} = V _{DD} = 5.0 V		1.3	1.7	mA
			Low voltage mode, AV _{REFP} = V _{DD} = 3.0 V		0.5	0.7	mA
A/D converter reference voltage current	I _{ADREF} Note 1				75.0		μA
Temperature sensor operating current	I _{TMPS} Note 1				75.0		μA
LVD operating current	I _{LVD} Notes 1, 7				0.08		μA
Self-programming operating current	I _{FSP} Notes 1, 9				2.50	12.20	mA
BGO operating current	I _{BGO} Notes 1, 8				2.50	12.20	mA
LCD operating current	I _{LCD1} Notes 11, 12	External resistance division method	V _{DD} = EV _{DD} = 5.0 V V _{L4} = 5.0 V		0.04	0.20	μA
			Internal voltage boosting method	V _{DD} = EV _{DD} = 5.0 V V _{L4} = 5.1 V (VLCD = 12H)		1.12	3.70
	I _{LCD2} Note 11	Internal voltage boosting method		V _{DD} = EV _{DD} = 3.0 V V _{L4} = 3.0 V (VLCD = 04H)		0.63	2.20
			I _{LCD3} ^{Note 11}	Capacitor split method	V _{DD} = EV _{DD} = 3.0 V V _{L4} = 3.0 V		0.12
SNOOZE operating current	I _{SNOZ} ^{Note 1}	ADC operation	The mode is performed ^{Note 10}		0.50	1.10	mA
			The A/D conversion operations are performed, Low voltage mode, AV _{REFP} = V _{DD} = 3.0 V		1.20	2.04	mA
		CSI/UART operation		0.70	1.54	mA	

(Notes and Remarks are listed on the next page.)

- Notes**
1. Current flowing to V_{DD}.
 2. When high speed on-chip oscillator and high-speed system clock are stopped.
 3. Current flowing only to the real-time clock (RTC) (excluding the operating current of the low-speed on-chip oscillator and the XT1 oscillator). The supply current of the RL78 microcontrollers is the sum of the values of either I_{DD1} or I_{DD2}, and I_{RTC}, when the real-time clock operates in operation mode or HALT mode. When the low-speed on-chip oscillator is selected, I_{FIL} should be added. I_{DD2} subsystem clock operation includes the operational current of the real-time clock.
 4. Current flowing only to the 12-bit interval timer (excluding the operating current of the low-speed on-chip oscillator and the XT1 oscillator). The supply current of the RL78 microcontrollers is the sum of the values of either I_{DD1} or I_{DD2}, and I_{IT}, when the 12-bit interval timer operates in operation mode or HALT mode. When the low-speed on-chip oscillator is selected, I_{FIL} should be added.
 5. Current flowing only to the watchdog timer (including the operating current of the low-speed on-chip oscillator). The supply current of the RL78 microcontrollers is the sum of I_{DD1}, I_{DD2} or I_{DD3} and I_{WDT} when the watchdog timer is in operation.
 6. Current flowing only to the A/D converter. The supply current of the RL78 microcontrollers is the sum of I_{DD1} or I_{DD2} and I_{ADC} when the A/D converter operates in an operation mode or the HALT mode.
 7. Current flowing only to the LVD circuit. The supply current of the RL78 microcontrollers is the sum of I_{DD1}, I_{DD2} or I_{DD3} and I_{LVD} when the LVD circuit is in operation.
 8. Current flowing only during data flash rewrite.
 9. Current flowing only during self programming.
 10. For shift time to the SNOOZE mode, see **19.3.3 SNOOZE mode**.
 11. Current flowing only to the LCD controller/driver. The supply current value of the RL78 microcontrollers is the sum of the LCD operating current (I_{LCD1}, I_{LCD2} or I_{LCD3}) to the supply current (I_{DD1} or I_{DD2}) when the LCD controller/driver operates in an operation mode or HALT mode. Not including the current that flows through the LCD panel.
The TYP. value and MAX. value are following conditions.
 - When f_{SUB} is selected for system clock, LCD clock = 128 Hz (LCDC0 = 07H)
 - 4-Time-Slice, 1/3 Bias Method
 12. Not including the current that flows through the external divider resistor when the external resistance division method is used.

- Remarks**
1. f_L: Low-speed on-chip oscillator clock frequency
 2. f_{SUB}: Subsystem clock frequency (XT1 clock oscillation frequency)
 3. f_{CLK}: CPU/peripheral hardware clock frequency
 4. Temperature condition of the TYP. value is T_A = 25°C

31.4 AC Characteristics

31.4.1 Basic operation

(T_A = -40 to +105°C, 2.4 V ≤ EV_{DD} = V_{DD} ≤ 5.5 V, V_{SS} = EV_{SS} = 0 V)

Items	Symbol	Conditions		MIN.	TYP.	MAX.	Unit	
Instruction cycle (minimum instruction execution time)	T _{CY}	Main system clock (f _{MAIN}) operation	HS (high-speed main) mode	2.7 V ≤ V _{DD} ≤ 5.5 V	0.04167		1	μs
				2.4 V ≤ V _{DD} < 2.7 V	0.0625		1	μs
		Subsystem clock (f _{SUB}) operation		2.4 V ≤ V _{DD} ≤ 5.5 V	28.5	30.5	31.3	μs
		In the self programming mode	HS (high-speed main) mode	2.7 V ≤ V _{DD} ≤ 5.5 V	0.04167		1	μs
2.4 V ≤ V _{DD} < 2.7 V	0.0625				1	μs		
External system clock frequency	f _{EX}	2.7 V ≤ V _{DD} ≤ 5.5 V		1.0		20.0	MHz	
		2.4 V ≤ V _{DD} < 2.7 V		1.0		16.0	MHz	
External system clock input high-level width, low-level width	t _{EXH} , t _{EXL}	2.7 V ≤ V _{DD} ≤ 5.5 V		24			ns	
		2.4 V ≤ V _{DD} < 2.7 V		30			ns	
	t _{EXHS} , t _{EXLS}			13.7			μs	
TI00 to TI07 input high-level width, low-level width	t _{TIH} , t _{TIL}			1/f _{MCK} +10			ns	
TO00 to TO07 output frequency	f _{TO}	HS (high-speed main) mode	4.0 V ≤ EV _{DD} ≤ 5.5 V			16	MHz	
			2.7 V ≤ EV _{DD} < 4.0 V			8	MHz	
			2.4 V ≤ EV _{DD} < 2.7 V			4	MHz	
PCLBUZ0, PCLBUZ1 output frequency	f _{PCL}	HS (high-speed main) mode	4.0 V ≤ EV _{DD} ≤ 5.5 V			16	MHz	
			2.7 V ≤ EV _{DD} < 4.0 V			8	MHz	
			2.4 V ≤ EV _{DD} < 2.7 V			4	MHz	
Interrupt input high-level width, low-level width	t _{INTH} , t _{INTL}	INTP0	2.4 V ≤ V _{DD} ≤ 5.5 V	1			μs	
		INTP1 to INTP7	2.4 V ≤ V _{DD} ≤ 5.5 V	1			μs	
Key interrupt input low-level width	t _{KR}	KR0 to KR3	2.4 V ≤ EV _{DD} ≤ 5.5 V	250			ns	
RESET low-level width	t _{RSL}			10			μs	

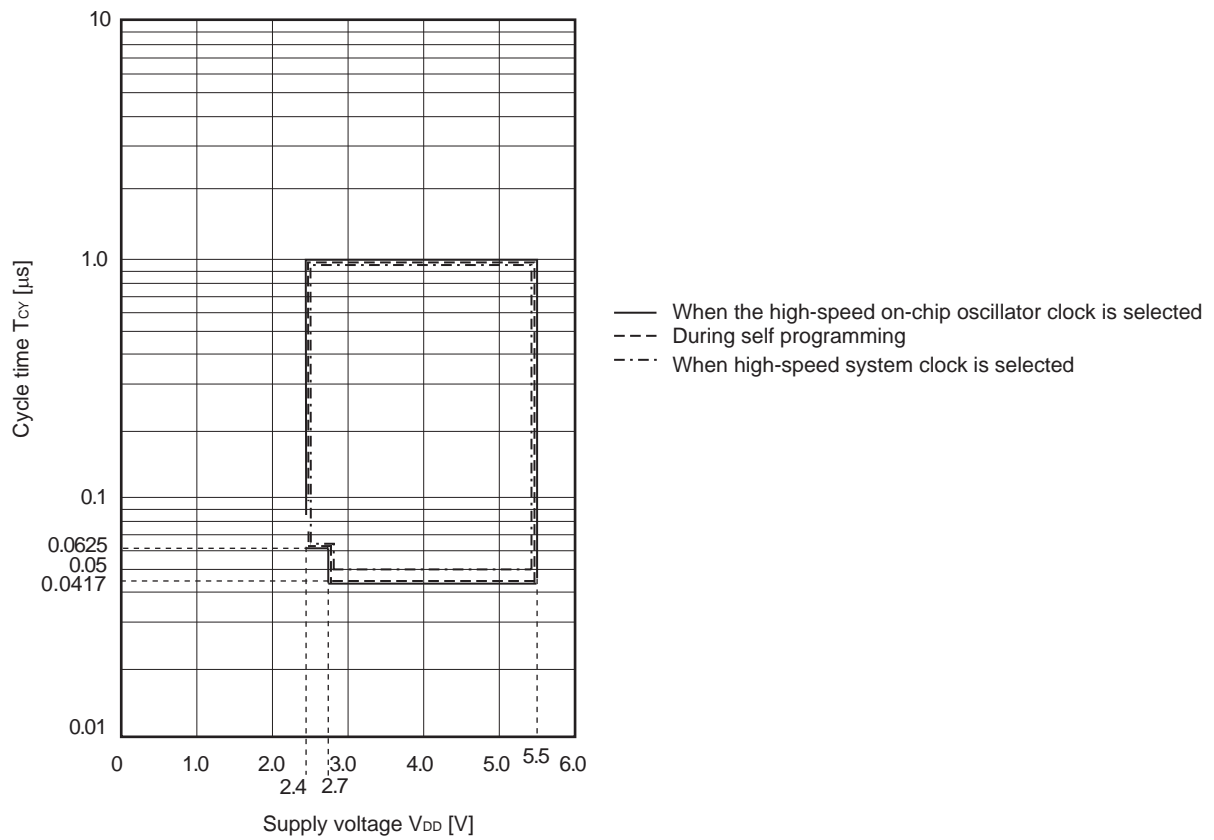
Remark f_{MCK}: Timer array unit operation clock frequency

(Operation clock to be set by the CKS0n bit of timer mode register 0n (TMR0n).

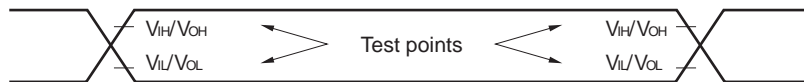
n: Channel number (n = 0 to 7))

Minimum Instruction Execution Time during Main System Clock Operation

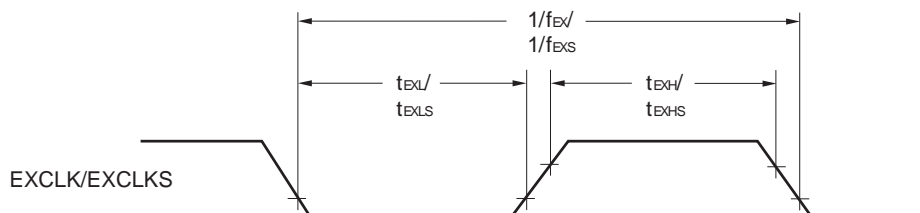
T_{CY} vs V_{DD} (HS (high-speed main) mode)



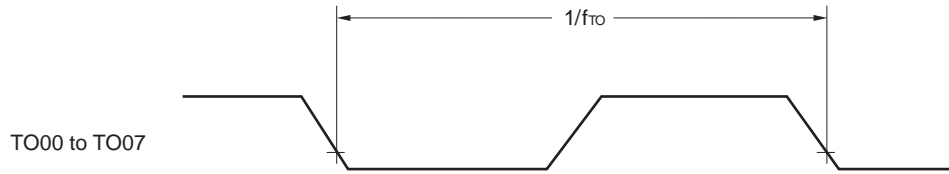
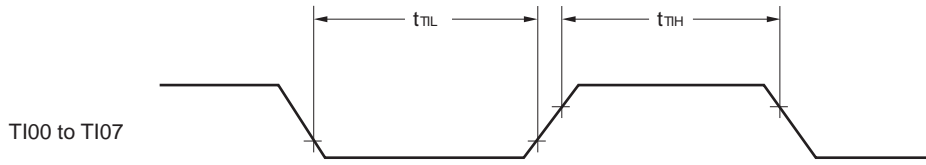
AC Timing Test Points



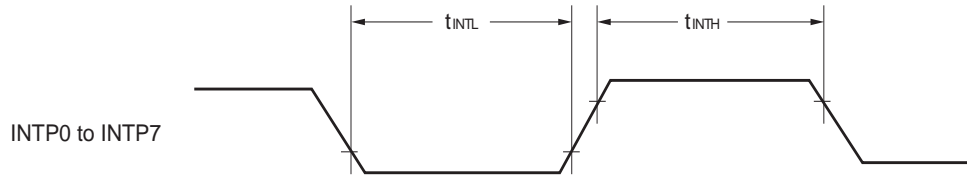
External System Clock Timing



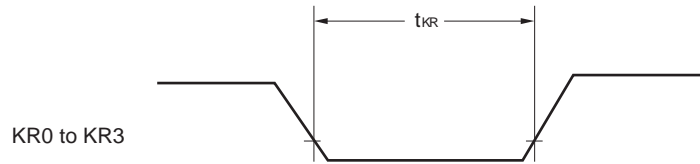
TI/TO Timing



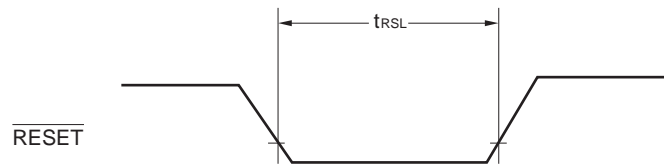
Interrupt Request Input Timing



Key Interrupt Input Timing

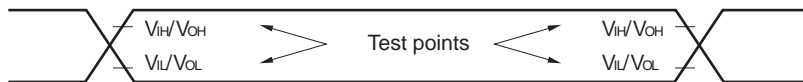


RESET Input Timing



31.5 Peripheral Functions Characteristics

AC Timing Test Points



31.5.1 Serial array unit

(1) During communication at same potential (UART mode)

(T_A = -40 to +105°C, 2.4 V ≤ EV_{DD} = V_{DD} ≤ 5.5 V, V_{SS} = EV_{SS} = 0 V)

Parameter	Symbol	Conditions	HS (high-speed main) Mode		Unit
			MIN.	MAX.	
Transfer rate ^{Note 1}		Theoretical value of the maximum transfer rate f _{MCK} = f _{CLK} ^{Note 2}		f _{MCK} /12	bps
				2.0	Mbps

Notes 1. Transfer rate in the SNOOZE mode is 4800 bps only.

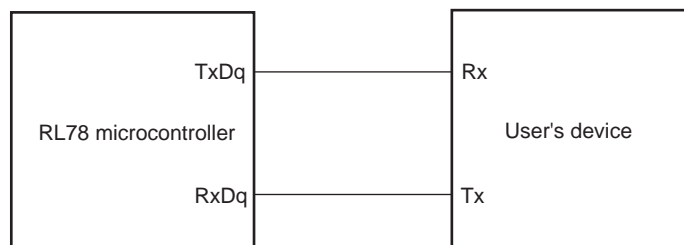
2. The maximum operating frequencies of the CPU/peripheral hardware clock (f_{CLK}) are:

HS (high-speed main) mode: 24 MHz (2.7 V ≤ V_{DD} ≤ 5.5 V)

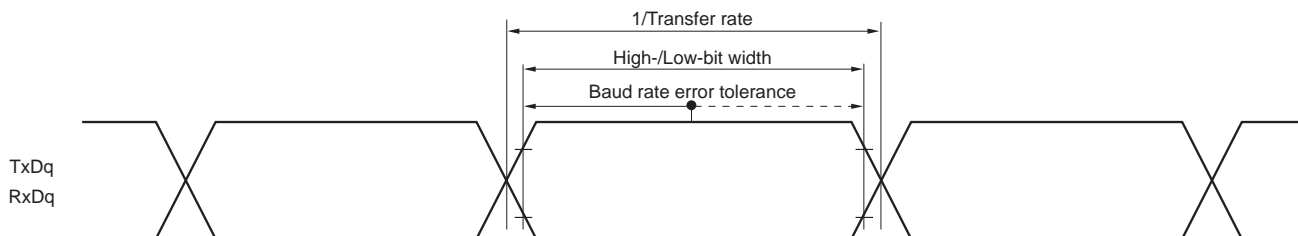
16 MHz (2.4 V ≤ V_{DD} ≤ 5.5 V)

Caution Select the normal input buffer for the RxDq pin and the normal output mode for the TxDq pin by using port input mode register g (PIMg) and port output mode register g (POMg).

UART mode connection diagram (during communication at same potential)



UART mode bit width (during communication at same potential) (reference)



Remarks 1. q: UART number (q = 0), g: PIM and POM number (g = 1)

2. f_{MCK}: Serial array unit operation clock frequency

(Operation clock to be set by the serial clock select register m (SPSm) and the CKSmn bit of serial mode register mn (SMRmn). m: Unit number, n: Channel number (mn = 00, 01))

(2) During communication at same potential (CSI mode) (master mode, SCKp... internal clock output)**(T_A = -40 to +105°C, 2.4 V ≤ EV_{DD} = V_{DD} ≤ 5.5 V, V_{SS} = EV_{SS} = 0 V)**

Parameter	Symbol	Conditions	HS (high-speed main) Mode		Unit
			MIN.	MAX.	
SCKp cycle time	t _{KCY1}	2.7 V ≤ EV _{DD} ≤ 5.5 V	334 ^{Note 1}		ns
		2.4 V ≤ EV _{DD} ≤ 5.5 V	500 ^{Note 1}		ns
SCKp high-/low-level width	t _{KH1} , t _{KL1}	4.0 V ≤ EV _{DD} ≤ 5.5 V	t _{KCY1} /2 - 24		ns
		2.7 V ≤ EV _{DD} ≤ 5.5 V	t _{KCY1} /2 - 36		ns
		2.4 V ≤ EV _{DD} ≤ 5.5 V	t _{KCY1} /2 - 76		ns
Slp setup time (to SCKp↑) ^{Note 2}	t _{SIK1}	2.7 V ≤ EV _{DD} ≤ 5.5 V	66		ns
		2.4 V ≤ EV _{DD} ≤ 5.5 V	113		ns
Slp hold time (from SCKp↑) ^{Note 3}	t _{KSI1}	2.4 V ≤ EV _{DD} ≤ 5.5 V	38		ns
Delay time from SCKp↓ to SOp output ^{Note 4}	t _{KSO1}	C = 30 pF ^{Note 5} 2.4 V ≤ EV _{DD} ≤ 5.5 V		50	ns

Notes 1. Set a cycle of 4/f_{MCK} or longer.2. When DAP_{mn} = 0 and CKP_{mn} = 0, or DAP_{mn} = 1 and CKP_{mn} = 1. The Slp setup time becomes “to SCKp↓” when DAP_{mn} = 0 and CKP_{mn} = 1, or DAP_{mn} = 1 and CKP_{mn} = 0.3. When DAP_{mn} = 0 and CKP_{mn} = 0, or DAP_{mn} = 1 and CKP_{mn} = 1. The Slp hold time becomes “from SCKp↓” when DAP_{mn} = 0 and CKP_{mn} = 1, or DAP_{mn} = 1 and CKP_{mn} = 0.4. When DAP_{mn} = 0 and CKP_{mn} = 0, or DAP_{mn} = 1 and CKP_{mn} = 1. The delay time to SOp output becomes “from SCKp↑” when DAP_{mn} = 0 and CKP_{mn} = 1, or DAP_{mn} = 1 and CKP_{mn} = 0.

5. C is the load capacitance of the SCKp and SOp output lines.

Caution Select the normal input buffer for the Slp pin and the normal output mode for the SOp pin and SCKp pin by using port input mode register g (PIMg) and port output mode register g (POMg).**Remarks** 1. p: CSI number (p = 00, 01), m: Unit number (m = 0), n: Channel number (n = 0, 1),
g: PIM and POM numbers (g = 1)2. f_{MCK}: Serial array unit operation clock frequency(Operation clock to be set by the serial clock select register m (SPSm) and the CKS_{mn} bit of serial mode register mn (SMR_{mn}). m: Unit number, n: Channel number (mn = 00, 01))

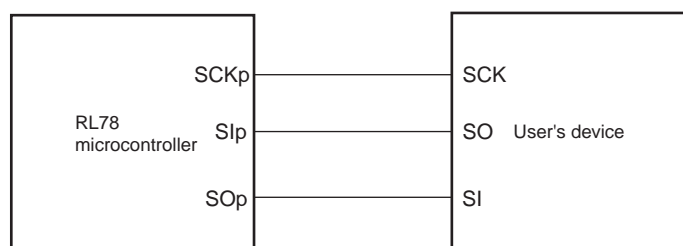
(3) During communication at same potential (CSI mode) (slave mode, SCKp... external clock input)**(T_A = -40 to +105°C, 2.4 V ≤ EV_{DD} = V_{DD} ≤ 5.5 V, V_{SS} = EV_{SS} = 0 V)**

Parameter	Symbol	Conditions		HS (high-speed main) Mode		Unit
				MIN.	MAX.	
SCKp cycle time ^{Note 5}	t _{KCY2}	4.0 V ≤ EV _{DD} ≤ 5.5 V	20 MHz < f _{MCK}	16/f _{MCK}		ns
			f _{MCK} ≤ 20 MHz	12/f _{MCK}		ns
		2.7 V ≤ EV _{DD} < 4.0 V	16 MHz < f _{MCK}	16/f _{MCK}		ns
			f _{MCK} ≤ 16 MHz	12/f _{MCK}		ns
		2.4 V ≤ EV _{DD} ≤ 5.5 V	12/f _{MCK} and 1000		ns	
SCKp high-/low-level width	t _{KH2}	4.0 V ≤ EV _{DD} ≤ 5.5 V		t _{KCY2} /2 – 14		ns
	t _{KL2}	2.7 V ≤ EV _{DD} < 4.0 V		t _{KCY2} /2 – 16		ns
		2.4 V ≤ EV _{DD} < 2.7 V		t _{KCY2} /2 – 36		ns
Slp setup time (to SCKp↑) ^{Note 1}	t _{SIK2}	2.7 V ≤ EV _{DD} ≤ 5.5 V		1/f _{MCK} + 40		ns
		2.4 V ≤ EV _{DD} < 2.7 V		1/f _{MCK} + 60		ns
Slp hold time (from SCKp↑) ^{Note 2}	t _{KSI2}	2.4 V ≤ EV _{DD} ≤ 5.5 V		1/f _{MCK} + 62		ns
Delay time from SCKp↓ to SOp output ^{Note 3}	t _{KSO2}	C = 30 pF ^{Note 4}	4.0 V ≤ EV _{DD} ≤ 5.5 V		2/f _{MCK} + 66	ns
			2.7 V ≤ EV _{DD} < 4.0 V		2/f _{MCK} + 66	ns
			2.4 V ≤ EV _{DD} < 2.7 V		2/f _{MCK} + 113	Ns

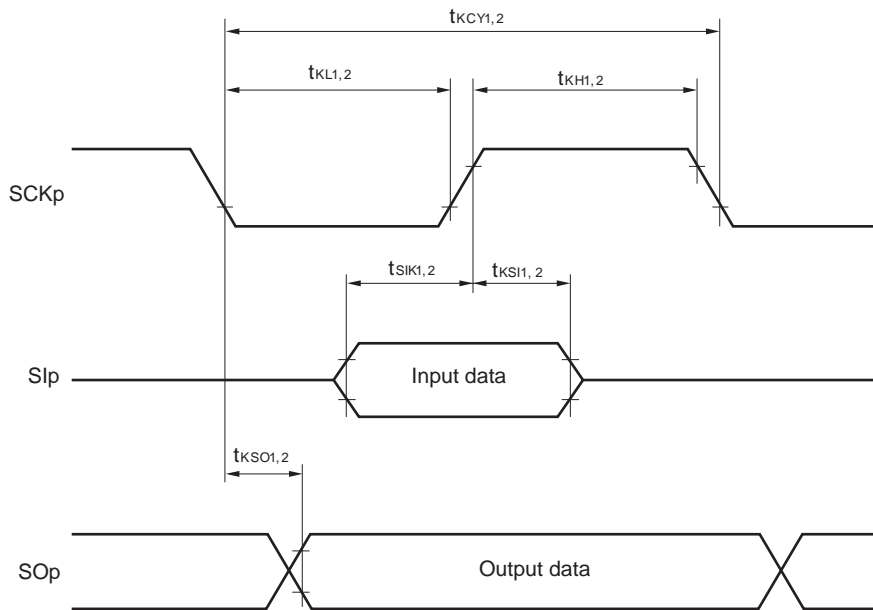
- Notes**
1. When DAP_{mn} = 0 and CKP_{mn} = 0, or DAP_{mn} = 1 and CKP_{mn} = 1. The Slp setup time becomes “to SCKp↓” when DAP_{mn} = 0 and CKP_{mn} = 1, or DAP_{mn} = 1 and CKP_{mn} = 0.
 2. When DAP_{mn} = 0 and CKP_{mn} = 0, or DAP_{mn} = 1 and CKP_{mn} = 1. The Slp hold time becomes “from SCKp↓” when DAP_{mn} = 0 and CKP_{mn} = 1, or DAP_{mn} = 1 and CKP_{mn} = 0.
 3. When DAP_{mn} = 0 and CKP_{mn} = 0, or DAP_{mn} = 1 and CKP_{mn} = 1. The delay time to SOp output becomes “from SCKp↑” when DAP_{mn} = 0 and CKP_{mn} = 1, or DAP_{mn} = 1 and CKP_{mn} = 0.
 4. C is the load capacitance of the SOp output lines.
 5. Transfer rate in the SNOOZE mode : MAX. 1 Mbps

Caution Select the normal input buffer for the Slp pin and SCKp pin and the normal output mode for the SOp pin by using port input mode register g (PIMg) and port output mode register g (POMg).

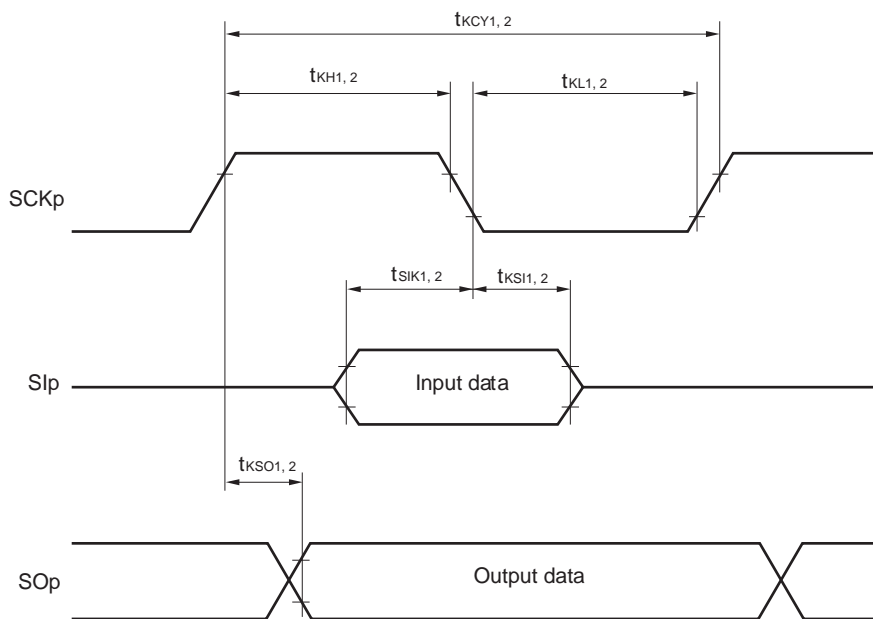
- Remarks**
1. p: CSI number (p = 00, 01), m: Unit number (m = 0), n: Channel number (n = 0, 1), g: PIM number (g = 1)
 2. f_{MCK}: Serial array unit operation clock frequency (Operation clock to be set by the serial clock select register m (SPSm) and the CKSmn bit of serial mode register mn (SMRmn). m: Unit number, n: Channel number (mn = 00, 01))

CSI mode connection diagram (during communication at same potential)

CSI mode serial transfer timing (during communication at same potential)
(When DAP_{mn} = 0 and CKP_{mn} = 0, or DAP_{mn} = 1 and CKP_{mn} = 1.)



CSI mode serial transfer timing (during communication at same potential)
(When DAP_{mn} = 0 and CKP_{mn} = 1, or DAP_{mn} = 1 and CKP_{mn} = 0.)



- Remarks**
1. p: CSI number (p = 00, 01)
 2. m: Unit number, n: Channel number (mn = 00, 01)

(4) Communication at different potential (1.8 V, 2.5 V, 3 V) (UART mode) (1/2)**(T_A = -40 to +105°C, 2.4 V ≤ EV_{DD} = V_{DD} ≤ 5.5 V, V_{SS} = EV_{SS} = 0 V)**

Parameter	Symbol	Conditions	HS (high-speed main) Mode		Unit	
			MIN.	MAX.		
Transfer rate		Reception	4.0 V ≤ EV _{DD} ≤ 5.5 V, 2.7 V ≤ V _b ≤ 4.0 V		f _{MCK} /12 ^{Note 1}	bps
			Theoretical value of the maximum transfer rate f _{MCK} = f _{CLK} ^{Note 2}		2.0	Mbps
			2.7 V ≤ EV _{DD} < 4.0 V, 2.3 V ≤ V _b ≤ 2.7 V		f _{MCK} /12 ^{Note 1}	bps
			Theoretical value of the maximum transfer rate f _{MCK} = f _{CLK} ^{Note 2}		2.0	Mbps
			2.4 V ≤ EV _{DD} < 3.3 V, 1.6 V ≤ V _b ≤ 2.0 V		f _{MCK} /12 ^{Note 1}	bps
			Theoretical value of the maximum transfer rate f _{MCK} = f _{CLK} ^{Note 2}		2.0	Mbps

Notes 1. Transfer rate in the SNOOZE mode is 4800 bps only.

2. The maximum operating frequencies of the CPU/peripheral hardware clock (f_{CLK}) are:

HS (high-speed main) mode: 24 MHz (2.7 V ≤ V_{DD} ≤ 5.5 V)

16 MHz (2.4 V ≤ V_{DD} ≤ 5.5 V)

Caution Select the TTL input buffer for the RxDq pin and the N-ch open drain output (V_{DD} tolerance (32- to 52-pin products)/EV_{DD} tolerance (64-pin products)) mode for the TxDq pin by using port input mode register g (PIMg) and port output mode register g (POMg). For V_{IH} and V_{IL}, see the DC characteristics with TTL input buffer selected.

Remarks 1. V_b[V]: Communication line voltage

2. q: UART number (q = 0), g: PIM and POM number (g = 1)

3. f_{MCK}: Serial array unit operation clock frequency

(Operation clock to be set by the serial clock select register m (SPSm) and the CKSmn bit of serial mode register mn (SMRmn). m: Unit number, n: Channel number (mn = 00, 01))

(4) Communication at different potential (1.8 V, 2.5 V, 3 V) (UART mode)**(2/2)****(T_A = -40 to +105°C, 2.4 V ≤ EV_{DD} = V_{DD} ≤ 5.5 V, V_{SS} = EV_{SS} = 0 V)**

Parameter	Symbol	Conditions	HS (high-speed main) Mode		Unit	
			MIN.	MAX.		
Transfer rate		Transmission	4.0 V ≤ EV _{DD} ≤ 5.5 V, 2.7 V ≤ V _b ≤ 4.0 V		Note 1	bps
			Theoretical value of the maximum transfer rate C _b = 50 pF, R _b = 1.4 kΩ, V _b = 2.7 V		2.0 ^{Note 2}	Mbps
			2.7 V ≤ EV _{DD} < 4.0 V, 2.3 V ≤ V _b ≤ 2.7 V		Note 3	bps
			Theoretical value of the maximum transfer rate C _b = 50 pF, R _b = 2.7 kΩ, V _b = 2.3 V		1.2 ^{Note 4}	Mbps
			2.4 V ≤ EV _{DD} < 3.3 V, 1.6 V ≤ V _b ≤ 2.0 V		Note 5	bps
			Theoretical value of the maximum transfer rate C _b = 50 pF, R _b = 5.5 kΩ, V _b = 1.6 V		0.43 ^{Note 6}	Mbps

Notes 1. The smaller maximum transfer rate derived by using f_{MCK}/6 or the following expression is the valid maximum transfer rate.

Expression for calculating the transfer rate when 4.0 V ≤ EV_{DD} ≤ 5.5 V and 2.7 V ≤ V_b ≤ 4.0 V

$$\text{Maximum transfer rate} = \frac{1}{\{-C_b \times R_b \times \ln(1 - \frac{2.2}{V_b})\} \times 3} \text{ [bps]}$$

$$\text{Baud rate error (theoretical value)} = \frac{\frac{1}{\text{Transfer rate} \times 2} - \{-C_b \times R_b \times \ln(1 - \frac{2.2}{V_b})\}}{\left(\frac{1}{\text{Transfer rate}}\right) \times \text{Number of transferred bits}} \times 100 \text{ [%]}$$

* This value is the theoretical value of the relative difference between the transmission and reception sides.

- This value as an example is calculated when the conditions described in the "Conditions" column are met. Refer to Note 1 above to calculate the maximum transfer rate under conditions of the customer.
- The smaller maximum transfer rate derived by using f_{MCK}/6 or the following expression is the valid maximum transfer rate.

Expression for calculating the transfer rate when 2.7 V ≤ EV_{DD} < 4.0 V and 2.3 V ≤ V_b ≤ 2.7 V

$$\text{Maximum transfer rate} = \frac{1}{\{-C_b \times R_b \times \ln(1 - \frac{2.0}{V_b})\} \times 3} \text{ [bps]}$$

$$\text{Baud rate error (theoretical value)} = \frac{\frac{1}{\text{Transfer rate} \times 2} - \{-C_b \times R_b \times \ln(1 - \frac{2.0}{V_b})\}}{\left(\frac{1}{\text{Transfer rate}}\right) \times \text{Number of transferred bits}} \times 100 \text{ [%]}$$

* This value is the theoretical value of the relative difference between the transmission and reception sides.

- This value as an example is calculated when the conditions described in the "Conditions" column are met. Refer to Note 3 above to calculate the maximum transfer rate under conditions of the customer.

5. The smaller maximum transfer rate derived by using $f_{MCK}/6$ or the following expression is the valid maximum transfer rate.

Expression for calculating the transfer rate when $1.8\text{ V} \leq EV_{DD} < 3.3\text{ V}$ and $1.6\text{ V} \leq V_b \leq 2.0\text{ V}$

$$\text{Maximum transfer rate} = \frac{1}{\{-C_b \times R_b \times \ln(1 - \frac{1.5}{V_b})\} \times 3} \text{ [bps]}$$

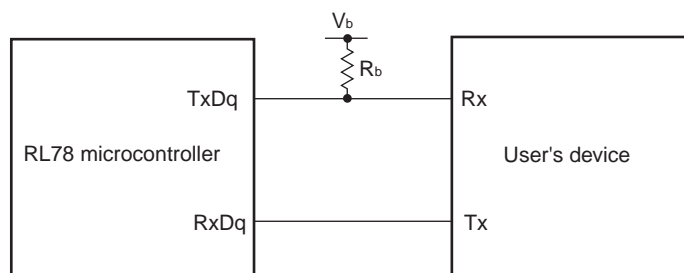
$$\text{Baud rate error (theoretical value)} = \frac{\frac{1}{\text{Transfer rate} \times 2} - \{-C_b \times R_b \times \ln(1 - \frac{1.5}{V_b})\}}{(\frac{1}{\text{Transfer rate}}) \times \text{Number of transferred bits}} \times 100 \text{ [%]}$$

* This value is the theoretical value of the relative difference between the transmission and reception sides.

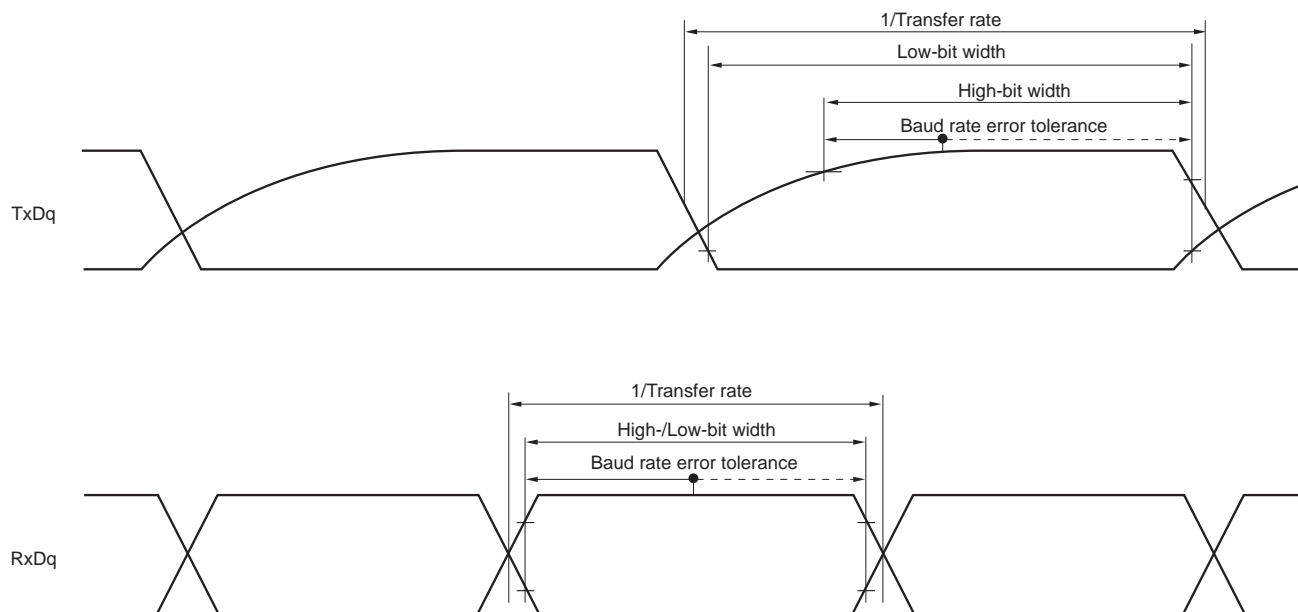
6. This value as an example is calculated when the conditions described in the "Conditions" column are met. Refer to Note 5 above to calculate the maximum transfer rate under conditions of the customer.

Caution Select the TTL input buffer for the RxDq pin and the N-ch open drain output (V_{DD} tolerance (32- to 52-pin products)/EV_{DD} tolerance (64-pin products)) mode for the TxDq pin by using port input mode register g (PIMg) and port output mode register g (POMg). For V_{IH} and V_{IL}, see the DC characteristics with TTL input buffer selected.

UART mode connection diagram (during communication at different potential)



UART mode bit width (during communication at different potential) (reference)



- Remarks 1.** $R_b[\Omega]$: Communication line (TxDq) pull-up resistance,
 $C_b[\text{F}]$: Communication line (TxDq) load capacitance, $V_b[\text{V}]$: Communication line voltage
- 2.** q : UART number ($q = 0, 1$), g : PIM and POM number ($g = 1$)
- 3.** f_{MCK} : Serial array unit operation clock frequency
 (Operation clock to be set by the serial clock select register m (SPSm) and the CKSmn bit of serial mode register mn (SMRmn). m : Unit number, n : Channel number ($mn = 00, 01$))

(5) Communication at different potential (1.8 V, 2.5 V, 3 V) (CSI mode) (master mode, SCKp... internal clock output)**(1/2)****(T_A = -40 to +105°C, 2.4 V ≤ EV_{DD} = V_{DD} ≤ 5.5 V, V_{SS} = EV_{SS} = 0 V)**

Parameter	Symbol	Conditions	HS (high-speed main) Mode		Unit
			MIN.	MAX.	
SCKp cycle time	t _{KCY1}	t _{KCY1} ≥ 4/f _{CLK} 4.0 V ≤ EV _{DD} ≤ 5.5 V, 2.7 V ≤ V _b ≤ 4.0 V, C _b = 30 pF, R _b = 1.4 kΩ	600		ns
		2.7 V ≤ EV _{DD} < 4.0 V, 2.3 V ≤ V _b ≤ 2.7 V, C _b = 30 pF, R _b = 2.7 kΩ	600		ns
		2.4 V ≤ EV _{DD} < 3.3 V, 1.6 V ≤ V _b ≤ 2.0 V, C _b = 30 pF, R _b = 5.5 kΩ	2300		ns
SCKp high-level width	t _{KH1}	4.0 V ≤ EV _{DD} ≤ 5.5 V, 2.7 V ≤ V _b ≤ 4.0 V, C _b = 30 pF, R _b = 1.4 kΩ	t _{KCY1} /2 - 150		ns
		2.7 V ≤ EV _{DD} < 4.0 V, 2.3 V ≤ V _b ≤ 2.7 V, C _b = 30 pF, R _b = 2.7 kΩ	t _{KCY1} /2 - 340		ns
		2.4 V ≤ EV _{DD} < 3.3 V, 1.6 V ≤ V _b ≤ 2.0 V, C _b = 30 pF, R _b = 5.5 kΩ	t _{KCY1} /2 - 916		ns
SCKp low-level width	t _{KL1}	4.0 V ≤ EV _{DD} ≤ 5.5 V, 2.7 V ≤ V _b ≤ 4.0 V, C _b = 30 pF, R _b = 1.4 kΩ	t _{KCY1} /2 - 24		ns
		2.7 V ≤ EV _{DD} < 4.0 V, 2.3 V ≤ V _b ≤ 2.7 V, C _b = 30 pF, R _b = 2.7 kΩ	t _{KCY1} /2 - 36		ns
		2.4 V ≤ EV _{DD} < 3.3 V, 1.6 V ≤ V _b ≤ 2.0 V, C _b = 30 pF, R _b = 5.5 kΩ	t _{KCY1} /2 - 100		ns

Caution Select the TTL input buffer for the SIp pin and the N-ch open drain output (V_{DD} tolerance (32- to 52-pin products)/EV_{DD} tolerance (64-pin products)) mode for the SOp pin and SCKp pin by using port input mode register g (PIMg) and port output mode register g (POMg). For V_{IH} and V_{IL}, see the DC characteristics with TTL input buffer selected.

(5) Communication at different potential (1.8 V, 2.5 V, 3 V) (CSI mode) (master mode, SCKp... internal clock output)**(2/2)****(T_A = -40 to +105°C, 2.4 V ≤ EV_{DD} = V_{DD} ≤ 5.5 V, V_{SS} = EV_{SS} = 0 V)**

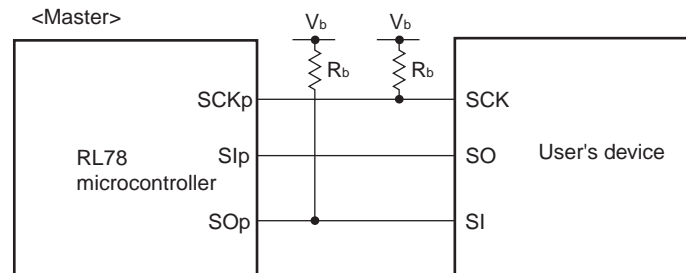
Parameter	Symbol	Conditions	HS (high-speed main) Mode		Unit
			MIN.	MAX.	
Slp setup time (to SCKp↑) ^{Note 1}	t _{SIK1}	4.0 V ≤ EV _{DD} ≤ 5.5 V, 2.7 V ≤ V _b ≤ 4.0 V, C _b = 30 pF, R _b = 1.4 kΩ	162		ns
		2.7 V ≤ EV _{DD} < 4.0 V, 2.3 V ≤ V _b ≤ 2.7 V, C _b = 30 pF, R _b = 2.7 kΩ	354		ns
		2.4 V ≤ EV _{DD} < 3.3 V, 1.6 V ≤ V _b ≤ 2.0 V, C _b = 30 pF, R _b = 5.5 kΩ	958		ns
Slp hold time (from SCKp↑) ^{Note 1}	t _{KS11}	4.0 V ≤ EV _{DD} ≤ 5.5 V, 2.7 V ≤ V _b ≤ 4.0 V, C _b = 30 pF, R _b = 1.4 kΩ	38		ns
		2.7 V ≤ EV _{DD} < 4.0 V, 2.3 V ≤ V _b ≤ 2.7 V, C _b = 30 pF, R _b = 2.7 kΩ	38		ns
		2.4 V ≤ EV _{DD} < 3.3 V, 1.6 V ≤ V _b ≤ 2.0 V, C _b = 30 pF, R _b = 5.5 kΩ	38		ns
Delay time from SCKp↓ to SOp output ^{Note 1}	t _{KSO1}	4.0 V ≤ EV _{DD} ≤ 5.5 V, 2.7 V ≤ V _b ≤ 4.0 V, C _b = 30 pF, R _b = 1.4 kΩ		200	ns
		2.7 V ≤ EV _{DD} < 4.0 V, 2.3 V ≤ V _b ≤ 2.7 V, C _b = 30 pF, R _b = 2.7 kΩ		390	ns
		2.4 V ≤ EV _{DD} < 3.3 V, 1.6 V ≤ V _b ≤ 2.0 V, C _b = 30 pF, R _b = 2.7 kΩ		966	ns
Slp setup time (to SCKp↓) ^{Note}	t _{SIK1}	4.0 V ≤ EV _{DD} ≤ 5.5 V, 2.7 V ≤ V _b ≤ 4.0 V, C _b = 30 pF, R _b = 1.4 kΩ	88		ns
		2.7 V ≤ EV _{DD} < 4.0 V, 2.3 V ≤ V _b ≤ 2.7 V, C _b = 30 pF, R _b = 2.7 kΩ	88		ns
		2.4 V ≤ EV _{DD} < 3.3 V, 1.6 V ≤ V _b ≤ 2.0 V, C _b = 30 pF, R _b = 5.5 kΩ	220		ns
Slp hold time (from SCKp↓) ^{Note 2}	t _{KS11}	4.0 V ≤ EV _{DD} ≤ 5.5 V, 2.7 V ≤ V _b ≤ 4.0 V, C _b = 30 pF, R _b = 1.4 kΩ	38		ns
		2.7 V ≤ EV _{DD} < 4.0 V, 2.3 V ≤ V _b ≤ 2.7 V, C _b = 30 pF, R _b = 2.7 kΩ	38		ns
		2.4 V ≤ EV _{DD} < 3.3 V, 1.6 V ≤ V _b ≤ 2.0 V, C _b = 30 pF, R _b = 5.5 kΩ	38		ns
Delay time from SCKp↑ to SOp output ^{Note 2}	t _{KSO1}	4.0 V ≤ EV _{DD} ≤ 5.5 V, 2.7 V ≤ V _b ≤ 4.0 V, C _b = 30 pF, R _b = 1.4 kΩ		50	ns
		2.7 V ≤ EV _{DD} < 4.0 V, 2.3 V ≤ V _b ≤ 2.7 V, C _b = 30 pF, R _b = 2.7 kΩ		50	ns
		2.4 V ≤ EV _{DD} < 3.3 V, 1.6 V ≤ V _b ≤ 2.0 V, C _b = 30 pF, R _b = 5.5 kΩ		50	ns

(Notes, Caution and Remarks are listed on the page after the next page.)

- Notes**
1. When DAP_{mn} = 0 and CKP_{mn} = 0, or DAP_{mn} = 1 and CKP_{mn} = 1.
 2. When DAP_{mn} = 0 and CKP_{mn} = 1, or DAP_{mn} = 1 and CKP_{mn} = 0.

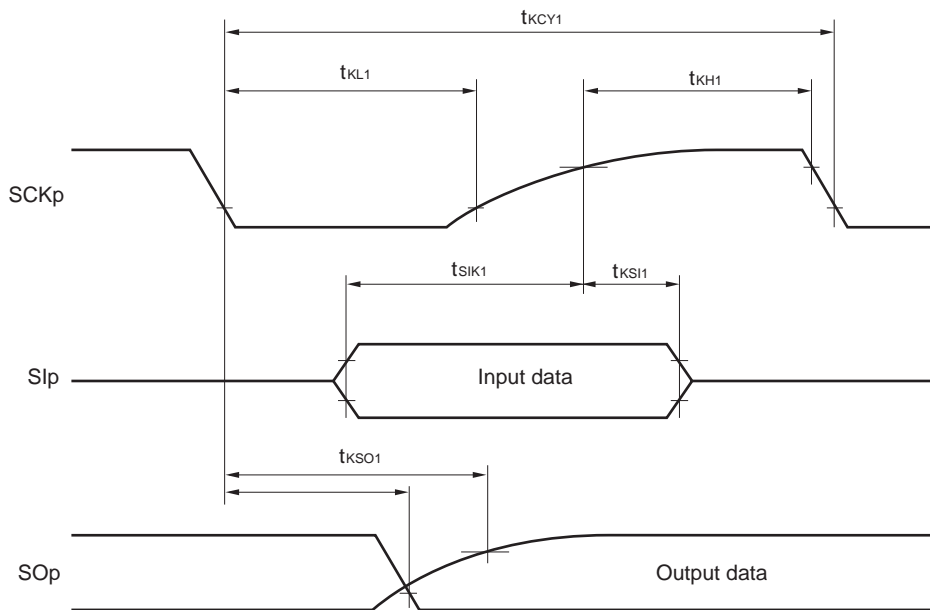
Caution Select the TTL input buffer for the SIp pin and the N-ch open drain output (V_{DD} tolerance (32- to 52-pin products)/EV_{DD} tolerance (64-pin products)) mode for the SOp pin and SCKp pin by using port input mode register g (PIMg) and port output mode register g (POMg). For V_{IH} and V_{IL}, see the DC characteristics with TTL input buffer selected.

CSI mode connection diagram (during communication at different potential)

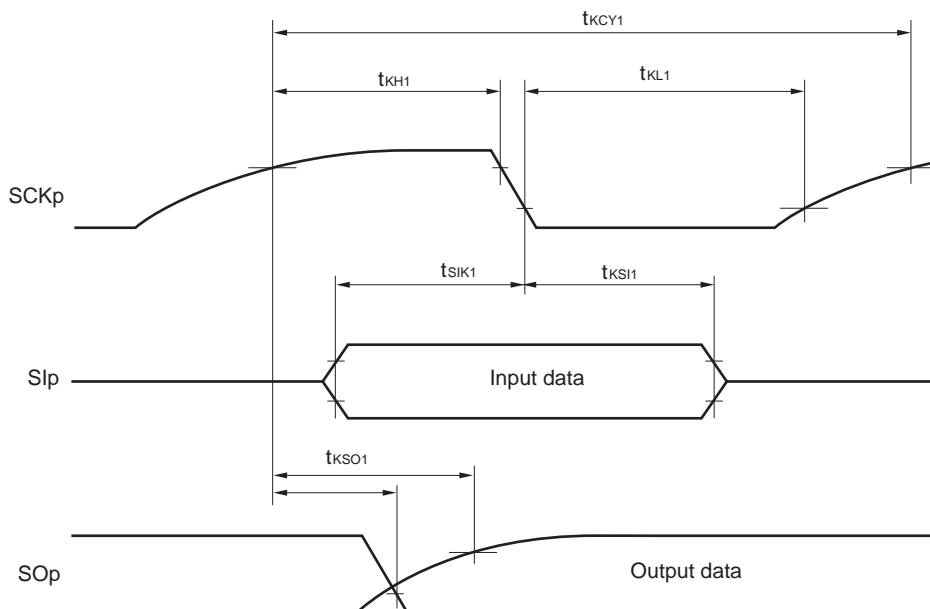


- Remarks**
1. R_b[Ω]: Communication line (SCKp, SOp) pull-up resistance,
C_b[F]: Communication line (SCKp, SOp) load capacitance, V_b[V]: Communication line voltage
 2. p: CSI number (p = 00, 01), m: Unit number (m = 0), n: Channel number (n = 0, 1),
g: PIM and POM number (g = 1)
 3. f_{MCK}: Serial array unit operation clock frequency
(Operation clock to be set by the serial clock select register m (SPSm) and the CKSmn bit of serial mode register mn (SMRmn). m: Unit number, n: Channel number (mn = 00))

**CSI mode serial transfer timing (master mode) (during communication at different potential)
(When DAPmn = 0 and CKPmn = 0, or DAPmn = 1 and CKPmn = 1.)**



**CSI mode serial transfer timing (master mode) (during communication at different potential)
(When DAPmn = 0 and CKPmn = 1, or DAPmn = 1 and CKPmn = 0.)**



Remark p: CSI number (p = 00, 01), m: Unit number (m = 0), n: Channel number (n = 0, 1),
g: PIM and POM number (g = 1)

(6) Communication at different potential (1.8 V, 2.5 V, 3 V) (CSI mode) (slave mode, SCKp... external clock input)
(T_A = -40 to +105°C, 2.4 V ≤ EV_{DD} = V_{DD} ≤ 5.5 V, V_{SS} = EV_{SS} = 0 V)

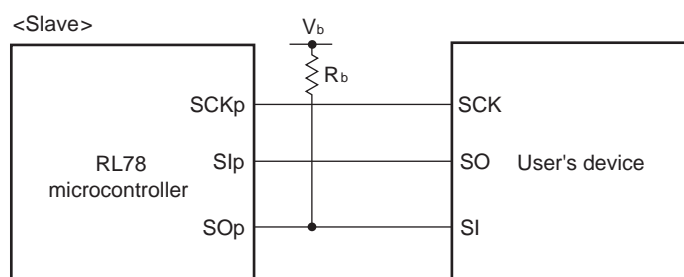
Parameter	Symbol	Conditions	HS (high-speed main) Mode		Unit		
			MIN.	MAX.			
SCKp cycle time ^{Note 1}	t _{KCY2}	4.0 V ≤ EV _{DD} ≤ 5.5 V, 2.7 V ≤ V _b ≤ 4.0 V	20 MHz < f _{MCK} ≤ 24 MHz	24/f _{MCK}	ns		
			8 MHz < f _{MCK} ≤ 20 MHz	20/f _{MCK}	ns		
			4 MHz < f _{MCK} ≤ 8 MHz	16/f _{MCK}	ns		
			f _{MCK} ≤ 4 MHz	12/f _{MCK}	ns		
		2.7 V ≤ EV _{DD} < 4.0 V, 2.3 V ≤ V _b ≤ 2.7 V	20 MHz < f _{MCK} ≤ 24 MHz	32/f _{MCK}	ns		
			16 MHz < f _{MCK} ≤ 20 MHz	28/f _{MCK}	ns		
			8 MHz < f _{MCK} ≤ 16 MHz	24/f _{MCK}	ns		
			4 MHz < f _{MCK} ≤ 8 MHz	16/f _{MCK}	ns		
		2.4 V ≤ EV _{DD} < 3.3 V, 1.6 V ≤ V _b ≤ 2.0 V	20 MHz < f _{MCK} ≤ 24 MHz	72/f _{MCK}	ns		
			16 MHz < f _{MCK} ≤ 20 MHz	64/f _{MCK}	ns		
			8 MHz < f _{MCK} ≤ 16 MHz	52/f _{MCK}	ns		
			4 MHz < f _{MCK} ≤ 8 MHz	32/f _{MCK}	ns		
		SCKp high-/low-level width	t _{KH2} , t _{KL2}	4.0 V ≤ EV _{DD} ≤ 5.5 V, 2.7 V ≤ V _b ≤ 4.0 V	t _{KCY2} /2 - 24	ns	
					2.7 V ≤ EV _{DD} < 4.0 V, 2.3 V ≤ V _b ≤ 2.7 V	t _{KCY2} /2 - 36	ns
						t _{KCY2} /2 - 100	ns
				2.4 V ≤ EV _{DD} < 3.3 V, 1.6 V ≤ V _b ≤ 2.0 V	1/f _{MCK} + 40	ns	
1/f _{MCK} + 40	ns						
1/f _{MCK} + 60	ns						
Slp setup time (to SCKp↑) ^{Note 2}	t _{SIK2}			4.0 V ≤ EV _{DD} < 5.5 V, 2.7 V ≤ V _b ≤ 4.0 V	1/f _{MCK} + 40	ns	
					1/f _{MCK} + 40	ns	
					1/f _{MCK} + 60	ns	
				2.7 V ≤ EV _{DD} < 4.0 V, 2.3 V ≤ V _b ≤ 2.7 V	1/f _{MCK} + 62	ns	
					1/f _{MCK} + 62	ns	
					1/f _{MCK} + 62	ns	
				2.4 V ≤ EV _{DD} < 3.3 V, 1.6 V ≤ V _b ≤ 2.0 V	1/f _{MCK} + 62	ns	
					1/f _{MCK} + 62	ns	
					1/f _{MCK} + 62	ns	
Slp hold time (from SCKp↑) ^{Note 3}	t _{KSI2}			4.0 V ≤ EV _{DD} < 5.5 V, 2.7 V ≤ V _b ≤ 4.0 V	1/f _{MCK} + 62	ns	
		1/f _{MCK} + 62	ns				
		1/f _{MCK} + 62	ns				
		2.7 V ≤ EV _{DD} < 4.0 V, 2.3 V ≤ V _b ≤ 2.7 V	1/f _{MCK} + 62	ns			
			1/f _{MCK} + 62	ns			
			1/f _{MCK} + 62	ns			
		2.4 V ≤ EV _{DD} < 3.3 V, 1.6 V ≤ V _b ≤ 2.0 V	1/f _{MCK} + 62	ns			
			1/f _{MCK} + 62	ns			
			1/f _{MCK} + 62	ns			
Delay time from SCKp↓ to SOp output ^{Note 4}	t _{KSO2}	4.0 V ≤ EV _{DD} ≤ 5.5 V, 2.7 V ≤ V _b ≤ 4.0 V, C _b = 30 pF, R _b = 1.4 kΩ	2/f _{MCK} + 240	ns			
			2/f _{MCK} + 428	ns			
			2/f _{MCK} + 1146	ns			
		2.7 V ≤ EV _{DD} < 4.0 V, 2.3 V ≤ V _b ≤ 2.7 V, C _b = 30 pF, R _b = 2.7 kΩ	2/f _{MCK} + 428	ns			
			2/f _{MCK} + 428	ns			
			2/f _{MCK} + 1146	ns			
		2.4 V ≤ EV _{DD} < 3.3 V, 1.6 V ≤ V _b ≤ 2.0 V C _b = 30 pF, R _b = 5.5 kΩ	2/f _{MCK} + 1146	ns			
			2/f _{MCK} + 1146	ns			
			2/f _{MCK} + 1146	ns			

(Notes, Caution and Remarks are listed on the page after the next page.)

- Notes**
1. Transfer rate in the SNOOZE mode : MAX. 1 Mbps
 2. When DAP_{mn} = 0 and CKP_{mn} = 0, or DAP_{mn} = 1 and CKP_{mn} = 1. The SIp setup time becomes “to SCKp↓” when DAP_{mn} = 0 and CKP_{mn} = 1, or DAP_{mn} = 1 and CKP_{mn} = 0.
 3. When DAP_{mn} = 0 and CKP_{mn} = 0, or DAP_{mn} = 1 and CKP_{mn} = 1. The SIp hold time becomes “from SCKp↓” when DAP_{mn} = 0 and CKP_{mn} = 1, or DAP_{mn} = 1 and CKP_{mn} = 0.
 4. When DAP_{mn} = 0 and CKP_{mn} = 0, or DAP_{mn} = 1 and CKP_{mn} = 1. The delay time to SOp output becomes “from SCKp↑” when DAP_{mn} = 0 and CKP_{mn} = 1, or DAP_{mn} = 1 and CKP_{mn} = 0.

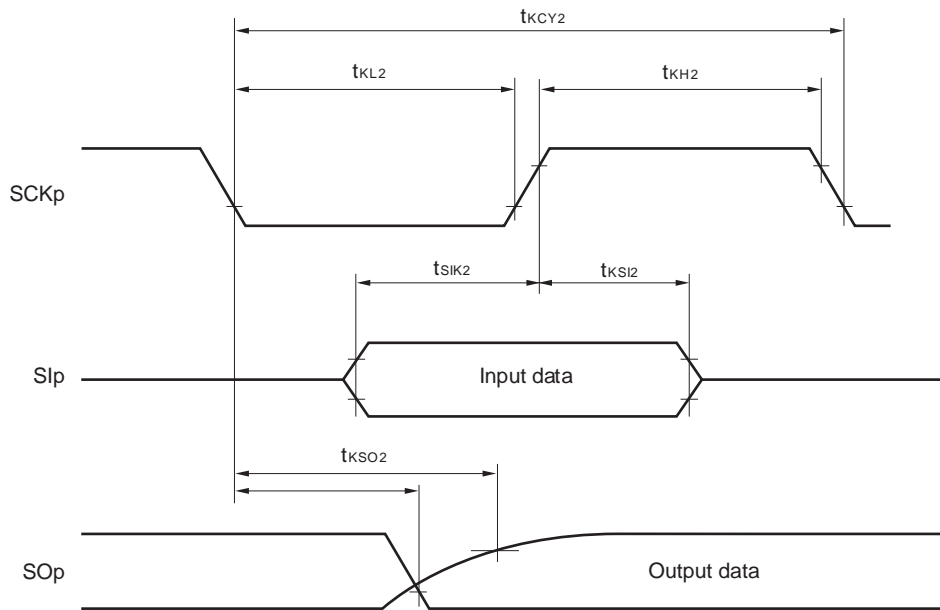
Caution Select the TTL input buffer for the SIp pin and SCKp pin and the N-ch open drain output (V_{DD} tolerance (32- to 52-pin products)/EV_{DD} tolerance (64-pin products)) mode for the SOp pin by using port input mode register g (PIMg) and port output mode register g (POMg). For V_{IH} and V_{IL}, see the DC characteristics with TTL input buffer selected.

CSI mode connection diagram (during communication at different potential)

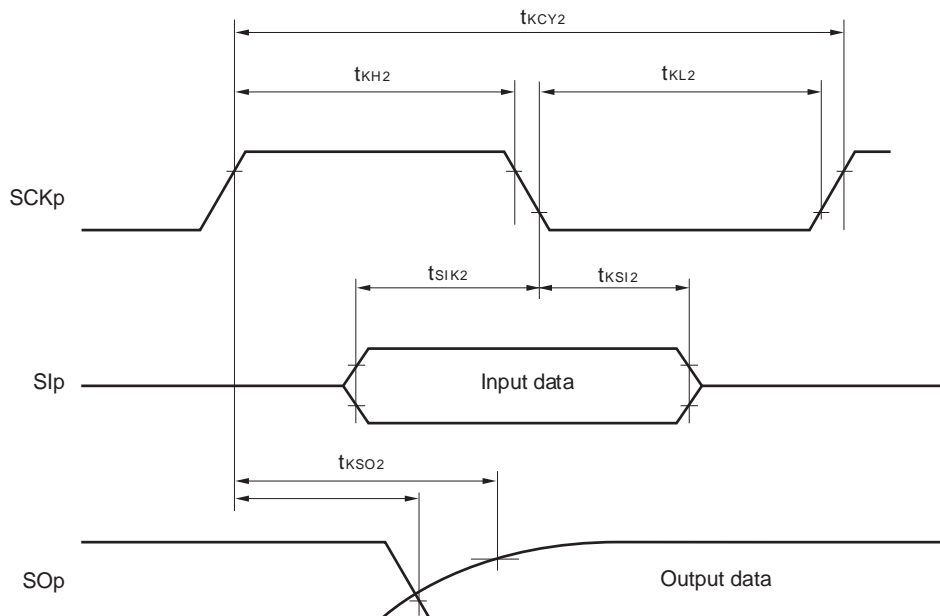


- Remarks**
1. R_b[Ω]: Communication line (SO_p) pull-up resistance,
C_b[F]: Communication line (SO_p) load capacitance, V_b[V]: Communication line voltage
 2. p: CSI number (p = 00, 01), m: Unit number (m = 0), n: Channel number (n = 0, 1),
g: PIM and POM number (g = 1)
 3. f_{MSCK}: Serial array unit operation clock frequency
(Operation clock to be set by the serial clock select register m (SPSm) and the CKSmn bit of serial mode register mn (SMRmn). m: Unit number, n: Channel number (mn = 00, 01))

**CSI mode serial transfer timing (slave mode) (during communication at different potential)
(When DAP_{mn} = 0 and CKP_{mn} = 0, or DAP_{mn} = 1 and CKP_{mn} = 1.)**



**CSI mode serial transfer timing (slave mode) (during communication at different potential)
(When DAP_{mn} = 0 and CKP_{mn} = 1, or DAP_{mn} = 1 and CKP_{mn} = 0.)**



Remark p: CSI number (p = 00, 01), m: Unit number (m = 0),
n: Channel number (n = 0, 1), g: PIM and POM number (g = 1)

31.5.2 Serial interface IICA

(1) I²C standard mode(T_A = -40 to +105°C, 2.4 V ≤ EV_{DD} = V_{DD} ≤ 5.5 V, V_{SS} = EV_{SS} = 0 V)

Parameter	Symbol	Conditions	HS (high-speed main) Mode		Unit	
			MIN.	MAX.		
SCLA0 clock frequency	f _{SCL}	Standard mode: f _{CLK} ≥ 1 MHz	2.7 V ≤ EV _{DD} ≤ 5.5 V	0	100	kHz
		2.4 V ≤ EV _{DD} ≤ 5.5 V	0	100	kHz	
Setup time of restart condition	t _{SU:STA}	2.7 V ≤ EV _{DD} ≤ 5.5 V	4.7		μs	
		2.4 V ≤ EV _{DD} ≤ 5.5 V	4.7		μs	
Hold time ^{Note 1}	t _{HD:STA}	2.7 V ≤ EV _{DD} ≤ 5.5 V	4.0		μs	
		2.4 V ≤ EV _{DD} ≤ 5.5 V	4.0		μs	
Hold time when SCLA0 = "L"	t _{LOW}	2.7 V ≤ EV _{DD} ≤ 5.5 V	4.7		μs	
		2.4 V ≤ EV _{DD} ≤ 5.5 V	4.7		μs	
Hold time when SCLA0 = "H"	t _{HIGH}	2.7 V ≤ EV _{DD} ≤ 5.5 V	4.0		μs	
		2.4 V ≤ EV _{DD} ≤ 5.5 V	4.0		μs	
Data setup time (reception)	t _{SU:DAT}	2.7 V ≤ EV _{DD} ≤ 5.5 V	250		ns	
		2.4 V ≤ EV _{DD} ≤ 5.5 V	250		ns	
Data hold time (transmission) ^{Note 2}	t _{HD:DAT}	2.7 V ≤ EV _{DD} ≤ 5.5 V	0	3.45	μs	
		2.4 V ≤ EV _{DD} ≤ 5.5 V	0	3.45	μs	
Setup time of stop condition	t _{SU:STO}	2.7 V ≤ EV _{DD} ≤ 5.5 V	4.0		μs	
		2.4 V ≤ EV _{DD} ≤ 5.5 V	4.0		μs	
Bus-free time	t _{BUF}	2.7 V ≤ EV _{DD} ≤ 5.5 V	4.7		μs	
		2.4 V ≤ EV _{DD} ≤ 5.5 V	4.7		μs	

- Notes**
- The first clock pulse is generated after this period when the start/restart condition is detected.
 - The maximum value (MAX.) of t_{HD:DAT} is during normal transfer and a wait state is inserted in the $\overline{\text{ACK}}$ (acknowledge) timing.

Remark The maximum value of C_b (communication line capacitance) and the value of R_b (communication line pull-up resistor) at that time in each mode are as follows.

Standard mode: C_b = 400 pF, R_b = 2.7 kΩ

(2) I²C fast mode(T_A = -40 to +105°C, 2.4 V ≤ EV_{DD} = V_{DD} ≤ 5.5 V, V_{SS} = EV_{SS} = 0 V)

Parameter	Symbol	Conditions	HS (high-speed main) Mode		Unit	
			MIN.	MAX.		
SCLA0 clock frequency	f _{SCL}	Fast mode:	2.7 V ≤ EV _{DD} ≤ 5.5 V	0	400	kHz
		f _{CLK} ≥ 3.5 MHz	2.4 V ≤ EV _{DD} ≤ 5.5 V	0	400	
Setup time of restart condition	t _{SU:STA}	2.7 V ≤ EV _{DD} ≤ 5.5 V	0.6		μs	
		2.4 V ≤ EV _{DD} ≤ 5.5 V	0.6			
Hold time ^{Note 1}	t _{HD:STA}	2.7 V ≤ EV _{DD} ≤ 5.5 V	0.6		μs	
		2.4 V ≤ EV _{DD} ≤ 5.5 V	0.6			
Hold time when SCLA0 = "L"	t _{LOW}	2.7 V ≤ EV _{DD} ≤ 5.5 V	1.3		μs	
		2.4 V ≤ EV _{DD} ≤ 5.5 V	1.3			
Hold time when SCLA0 = "H"	t _{HIGH}	2.7 V ≤ EV _{DD} ≤ 5.5 V	0.6		μs	
		2.4 V ≤ EV _{DD} ≤ 5.5 V	0.6			
Data setup time (reception)	t _{SU:DAT}	2.7 V ≤ EV _{DD} ≤ 5.5 V	100		ns	
		2.4 V ≤ EV _{DD} ≤ 5.5 V	100			
Data hold time (transmission) ^{Note 2}	t _{HD:DAT}	2.7 V ≤ EV _{DD} ≤ 5.5 V	0	0.9	μs	
		2.4 V ≤ EV _{DD} ≤ 5.5 V	0	0.9		
Setup time of stop condition	t _{SU:STO}	2.7 V ≤ EV _{DD} ≤ 5.5 V	0.6		μs	
		2.4 V ≤ EV _{DD} ≤ 5.5 V	0.6			
Bus-free time	t _{BUF}	2.7 V ≤ EV _{DD} ≤ 5.5 V	1.3		μs	
		2.4 V ≤ EV _{DD} ≤ 5.5 V	1.3			

Notes 1. The first clock pulse is generated after this period when the start/restart condition is detected.

2. The maximum value (MAX.) of t_{HD:DAT} is during normal transfer and a wait state is inserted in the $\overline{\text{ACK}}$ (acknowledge) timing.

Remark The maximum value of C_b (communication line capacitance) and the value of R_b (communication line pull-up resistor) at that time in each mode are as follows.

Fast mode: C_b = 320 pF, R_b = 1.1 kΩ

31.6 Analog Characteristics

31.6.1 A/D converter characteristics

Classification of A/D converter characteristics

Input channel	Reference Voltage		
	Reference voltage (+) = AV _{REFP} Reference voltage (-) = AV _{REFM}	Reference voltage (+) = V _{DD} Reference voltage (-) = V _{SS}	Reference voltage (+) = V _{BGR} Reference voltage (-) = AV _{REFM}
ANI0, ANI1	–	Refer to 31.6.1 (3) .	Refer to 31.6.1 (4) .
ANI16 to ANI23	Refer to 31.6.1 (2) .		
Internal reference voltage Temperature sensor output voltage	Refer to 31.6.1 (1) .		–

(1) When reference voltage (+) = AV_{REFP}/ANI0 (ADREFP1 = 0, ADREFP0 = 1), reference voltage (-) = AV_{REFM}/ANI1 (ADREFM = 1), target pin : internal reference voltage, and temperature sensor output voltage

(T_A = -40 to +105°C, 2.4 V ≤ EV_{DD} = V_{DD} ≤ 5.5 V, 2.4 V ≤ AV_{REFP} ≤ V_{DD} ≤ 5.5 V, V_{SS} = EV_{SS} = 0 V, Reference voltage (+) = AV_{REFP}, Reference voltage (-) = AV_{REFM} = 0 V)

Parameter	Symbol	Conditions	MIN.	TYP.	MAX.	Unit
Resolution	RES		8		10	bit
Overall error ^{Note 1}	AINL	10-bit resolution AV _{REFP} = V _{DD} ^{Note 3}	2.4 V ≤ AV _{REFP} ≤ 5.5 V	1.2	±3.5	LSB
Conversion time	t _{CONV}	10-bit resolution Target pin: Internal reference voltage, and temperature sensor output voltage (HS (high-speed main) mode)	3.6 V ≤ V _{DD} ≤ 5.5 V	2.375	39	μs
			2.7 V ≤ V _{DD} ≤ 5.5 V	3.5625	39	μs
			2.4 V ≤ V _{DD} ≤ 5.5 V	17	39	μs
Zero-scale error ^{Notes 1, 2}	E _{ZS}	10-bit resolution AV _{REFP} = V _{DD} ^{Note 3}	1.8 V ≤ AV _{REFP} ≤ 5.5 V		±0.25	%FSR
Full-scale error ^{Notes 1, 2}	E _{FS}	10-bit resolution AV _{REFP} = V _{DD} ^{Note 3}	1.8 V ≤ AV _{REFP} ≤ 5.5 V		±0.25	%FSR
Integral linearity error Note 1	ILE	10-bit resolution AV _{REFP} = V _{DD} ^{Note 3}	1.8 V ≤ AV _{REFP} ≤ 5.5 V		±2.5	LSB
Differential linearity error Note 1	DLE	10-bit resolution AV _{REFP} = V _{DD} ^{Note 3}	1.8 V ≤ AV _{REFP} ≤ 5.5 V		±1.5	LSB
Analog input voltage	V _{AIN}	Internal reference voltage (2.4 V ≤ V _{DD} ≤ 5.5 V, HS (high-speed main) mode)	V _{BGR} ^{Note 4}			V
		Temperature sensor output voltage (2.4 V ≤ V _{DD} ≤ 5.5 V, HS (high-speed main) mode)	V _{TMPS25} ^{Note 4}			V

Notes 1. Excludes quantization error (±1/2 LSB).

2. This value is indicated as a ratio (%FSR) to the full-scale value.

3. When AV_{REFP} < V_{DD}, the MAX. values are as follows.

Overall error: Add ±1.0 LSB to the MAX. value when AV_{REFP} = V_{DD}.

Zero-scale error/Full-scale error: Add ±0.05%FSR to the MAX. value when AV_{REFP} = V_{DD}.

Integral linearity error/ Differential linearity error: Add ±0.5 LSB to the MAX. value when AV_{REFP} = V_{DD}.

4. Refer to **31.6.2 Temperature sensor/internal reference voltage characteristics**.

(2) When reference voltage (+) = AV_{REFP}/ANI0 (ADREFP1 = 0, ADREFP0 = 1), reference voltage (-) = AV_{REFM}/ANI1 (ADREFM = 1), target pin : ANI16 to ANI23

(T_A = -40 to +105°C, 2.4 V ≤ EV_{DD} = V_{DD} ≤ 5.5 V, 2.4 V ≤ AV_{REFP} ≤ V_{DD} ≤ 5.5 V, V_{SS} = EV_{SS} = 0 V, Reference voltage (+) = AV_{REFP}, Reference voltage (-) = AV_{REFM} = 0 V)

Parameter	Symbol	Conditions	MIN.	TYP.	MAX.	Unit	
Resolution	RES		8		10	bit	
Overall error ^{Note 1}	AINL	10-bit resolution AV _{REFP} = EV _{DD} = V _{DD} ^{Note 3}	2.4 V ≤ AV _{REFP} ≤ 5.5 V		1.2	±5.0	LSB
Conversion time	t _{CONV}	10-bit resolution AV _{REFP} = EV _{DD} = V _{DD} ^{Note 3}	3.6 V ≤ V _{DD} ≤ 5.5 V	2.125		39	μs
			2.7 V ≤ V _{DD} ≤ 5.5 V	3.1875		39	μs
			2.4 V ≤ V _{DD} ≤ 5.5 V	17		39	μs
Zero-scale error ^{Notes 1, 2}	E _{ZS}	10-bit resolution AV _{REFP} = EV _{DD} = V _{DD} ^{Note 3}	2.4 V ≤ AV _{REFP} ≤ 5.5 V			±0.35	%FSR
Full-scale error ^{Notes 1, 2}	E _{FS}	10-bit resolution AV _{REFP} = EV _{DD} = V _{DD} ^{Note 3}	2.4 V ≤ AV _{REFP} ≤ 5.5 V			±0.35	%FSR
Integral linearity error ^{Note 1}	ILE	10-bit resolution AV _{REFP} = EV _{DD} = V _{DD} ^{Note 3}	2.4 V ≤ AV _{REFP} ≤ 5.5 V			±3.5	LSB
Differential linearity error ^{Note 1}	DLE	10-bit resolution AV _{REFP} = EV _{DD} = V _{DD} ^{Note 3}	2.4 V ≤ AV _{REFP} ≤ 5.5 V			±2.0	LSB
Analog input voltage	V _{AIN}	ANI16 to ANI23	0		AV _{REFP} and EV _{DD}	V	

Notes 1. Excludes quantization error (±1/2 LSB).

2. This value is indicated as a ratio (%FSR) to the full-scale value.

3. When AV_{REFP} < EV_{DD} = V_{DD}, the MAX. values are as follows.

Overall error: Add ±4.0 LSB to the MAX. value when AV_{REFP} = V_{DD}.

Zero-scale error/Full-scale error: Add ±0.20%FSR to the MAX. value when AV_{REFP} = V_{DD}.

Integral linearity error/ Differential linearity error: Add ±2.0 LSB to the MAX. value when AV_{REFP} = V_{DD}.

(3) When reference voltage (+) = V_{DD} (ADREFP1 = 0, ADREFP0 = 0), reference voltage (-) = V_{SS} (ADREFM = 0), target pin : ANI0, ANI1, ANI16 to ANI23, internal reference voltage, and temperature sensor output voltage

(T_A = -40 to +105°C, 2.4 V ≤ EV_{DD} = V_{DD} ≤ 5.5 V, V_{SS} = EV_{SS} = 0 V, Reference voltage (+) = V_{DD}, Reference voltage (-) = V_{SS})

Parameter	Symbol	Conditions		MIN.	TYP.	MAX.	Unit	
Resolution	RES			8		10	bit	
Overall error ^{Note 1}	AINL	10-bit resolution	2.4 V ≤ V _{DD} ≤ 5.5 V		1.2	±7.0	LSB	
Conversion time	t _{CONV}	10-bit resolution	3.6 V ≤ V _{DD} ≤ 5.5 V	2.125		39	μs	
			2.7 V ≤ V _{DD} ≤ 5.5 V	3.1875		39	μs	
			2.4 V ≤ V _{DD} ≤ 5.5 V	17		39	μs	
		10-bit resolution Target pin: Internal reference voltage, and temperature sensor output voltage (HS (high-speed main) mode)	3.6 V ≤ V _{DD} ≤ 5.5 V	2.375		39	μs	
			2.7 V ≤ V _{DD} ≤ 5.5 V	3.5625		39	μs	
			2.4 V ≤ V _{DD} ≤ 5.5 V	17		39	μs	
Zero-scale error ^{Notes 1, 2}	E _{ZS}	10-bit resolution	2.4 V ≤ V _{DD} ≤ 5.5 V			±0.60	%FSR	
Full-scale error ^{Notes 1, 2}	E _{FS}	10-bit resolution	2.4 V ≤ V _{DD} ≤ 5.5 V			±0.60	%FSR	
Integral linearity error ^{Note 1}	ILE	10-bit resolution	2.4 V ≤ V _{DD} ≤ 5.5 V			±4.0	LSB	
Differential linearity error ^{Note 1}	DLE	10-bit resolution	2.4 V ≤ V _{DD} ≤ 5.5 V			±2.0	LSB	
Analog input voltage	V _{AIN}	ANI0, ANI1		0		V _{DD}	V	
		ANI16 to ANI23		0		EV _{DD}	V	
		Internal reference voltage output (2.4 V ≤ V _{DD} ≤ 5.5 V, HS (high-speed main) mode)		V _{BGR} ^{Note 3}				V
		Temperature sensor output voltage (2.4 V ≤ V _{DD} ≤ 5.5 V, HS (high-speed main) mode)		V _{TMPS25} ^{Note 3}				V

Notes 1. Excludes quantization error (±1/2 LSB).

2. This value is indicated as a ratio (%FSR) to the full-scale value.

3. Refer to **31.6.2 Temperature sensor/internal reference voltage characteristics**.

(4) When reference voltage (+) = Internal reference voltage (ADREFP1 = 1, ADREFP0 = 0), reference voltage (-) = AV_{REFM}/ANI1 (ADREFM = 1), target pin : ANI0, ANI16 to ANI23

(T_A = -40 to +105°C, 2.4 V ≤ EV_{DD} = V_{DD} ≤ 5.5 V, V_{SS} = EV_{SS} = 0 V, Reference voltage (+) = V_{BGR}^{Note 3}, Reference voltage (-) = AV_{REFM}^{Note 4} = 0 V, HS (high-speed main) mode)

Parameter	Symbol	Conditions		MIN.	TYP.	MAX.	Unit
Resolution	RES			8			bit
Conversion time	t _{CONV}	8-bit resolution	2.4 V ≤ V _{DD} ≤ 5.5 V	17		39	μs
Zero-scale error ^{Notes 1, 2}	E _{zs}	8-bit resolution	2.4 V ≤ V _{DD} ≤ 5.5 V			±0.60	%FSR
Integral linearity error ^{Note 1}	ILE	8-bit resolution	2.4 V ≤ V _{DD} ≤ 5.5 V			±2.0	LSB
Differential linearity error ^{Note 1}	DLE	8-bit resolution	2.4 V ≤ V _{DD} ≤ 5.5 V			±1.0	LSB
Analog input voltage	V _{AIN}			0		V _{BGR} ^{Note 3}	V

Notes 1. Excludes quantization error (±1/2 LSB).

2. This value is indicated as a ratio (%FSR) to the full-scale value.

3. Refer to **31.6.2 Temperature sensor/internal reference voltage characteristics**.

4. When reference voltage (-) = V_{SS}, the MAX. values are as follows.

Zero-scale error: Add ±0.35%FSR to the MAX. value when reference voltage (-) = AV_{REFM}.

Integral linearity error: Add ±0.5 LSB to the MAX. value when reference voltage (-) = AV_{REFM}.

Differential linearity error: Add ±0.2 LSB to the MAX. value when reference voltage (-) = AV_{REFM}.

31.6.2 Temperature sensor/internal reference voltage characteristics

($T_A = -40$ to $+105^\circ\text{C}$, $2.4\text{ V} \leq \text{EV}_{\text{DD}} = \text{V}_{\text{DD}} \leq 5.5\text{ V}$, $\text{V}_{\text{SS}} = \text{EV}_{\text{SS}} = 0\text{ V}$, HS (high-speed main) mode)

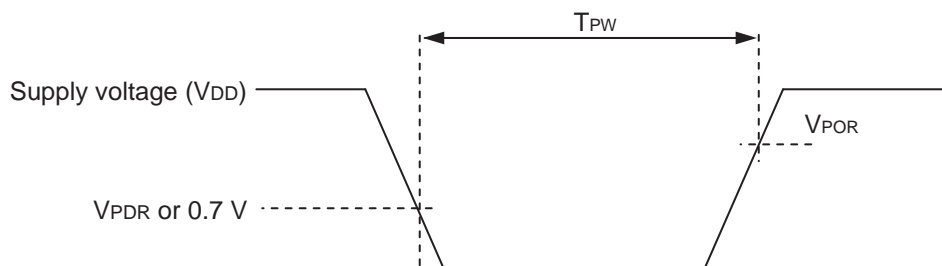
Parameter	Symbol	Conditions	MIN.	TYP.	MAX.	Unit
Temperature sensor output voltage	$V_{\text{TMP}25}$	Setting ADS register = 80H, $T_A = +25^\circ\text{C}$		1.05		V
Internal reference voltage	V_{BGR}	Setting ADS register = 81H	1.38	1.45	1.5	V
Temperature coefficient	$F_{\text{VTMP}25}$	Temperature sensor that depends on the temperature		-3.6		mV/ $^\circ\text{C}$
Operation stabilization wait time	t_{AMP}		5			μs

31.6.3 POR circuit characteristics

($T_A = -40$ to $+105^\circ\text{C}$, $\text{V}_{\text{SS}} = 0\text{ V}$)

Parameter	Symbol	Conditions	MIN.	TYP.	MAX.	Unit
Detection voltage	V_{POR}	Power supply rise time	1.45	1.51	1.57	V
	V_{PDR}	Power supply fall time	1.44	1.50	1.56	V
Minimum pulse width	T_{PW}		300			μs

Note Minimum time required for a POR reset when V_{DD} exceeds below V_{PDR} . This is also the minimum time required for a POR reset from when V_{DD} exceeds below 0.7 V to when V_{DD} exceeds V_{POR} while STOP mode is entered or the main system clock is stopped through setting bit 0 (HIOSSTOP) and bit 7 (MSTOP) in the clock operation status control register (CSC).



31.6.4 LVD circuit characteristics

(T_A = -40 to +105°C, V_{PDR} ≤ EV_{DD} = V_{DD} ≤ 5.5 V, V_{SS} = EV_{SS} = 0 V)

Parameter		Symbol	Conditions	MIN.	TYP.	MAX.	Unit
Detection voltage	Supply voltage level	V _{LVD0}	Power supply rise time	3.90	4.06	4.22	V
			Power supply fall time	3.83	3.98	4.13	V
		V _{LVD1}	Power supply rise time	3.60	3.75	3.90	V
			Power supply fall time	3.53	3.67	3.81	V
		V _{LVD2}	Power supply rise time	3.01	3.13	3.25	V
			Power supply fall time	2.94	3.06	3.18	V
		V _{LVD3}	Power supply rise time	2.90	3.02	3.14	V
			Power supply fall time	2.85	2.96	3.07	V
		V _{LVD4}	Power supply rise time	2.81	2.92	3.03	V
			Power supply fall time	2.75	2.86	2.97	V
		V _{LVD5}	Power supply rise time	2.70	2.81	2.92	V
			Power supply fall time	2.64	2.75	2.86	V
		V _{LVD6}	Power supply rise time	2.61	2.71	2.81	V
			Power supply fall time	2.55	2.65	2.75	V
		V _{LVD7}	Power supply rise time	2.51	2.61	2.71	V
			Power supply fall time	2.45	2.55	2.65	V
Minimum pulse width		t _{LW}		300			μs
Detection delay time						300	μs

LVD Detection Voltage of Interrupt & Reset Mode

(T_A = -40 to +105°C, V_{PDR} ≤ EV_{DD} = V_{DD} ≤ 5.5 V, V_{SS} = EV_{SS} = 0 V)

Parameter	Symbol	Conditions	MIN.	TYP.	MAX.	Unit	
Interrupt and reset mode	V _{LVDD0}	V _{POC2} , V _{POC1} , V _{POC0} = 0, 1, 1, falling reset voltage	2.64	2.75	2.86	V	
	V _{LVDD1}	LVIS1, LVIS0 = 1, 0	Rising release reset voltage	2.81	2.92	3.03	V
			Falling interrupt voltage	2.75	2.86	2.97	V
	V _{LVDD2}	LVIS1, LVIS0 = 0, 1	Rising release reset voltage	2.90	3.02	3.14	V
			Falling interrupt voltage	2.85	2.96	3.07	V
	V _{LVDD3}	LVIS1, LVIS0 = 0, 0	Rising release reset voltage	3.90	4.06	4.22	V
Falling interrupt voltage			3.83	3.98	4.13	V	

31.6.5 Power supply voltage rising slope characteristics

(T_A = -40 to +105°C, V_{SS} = 0 V)

Parameter	Symbol	Conditions	MIN.	TYP.	MAX.	Unit
Power supply voltage rising slope	S _{VDD}				54	V/ms

Caution Make sure to keep the internal reset state by the LVD circuit or an external reset until V_{DD} reaches the operating voltage range shown in 31.4 AC Characteristics.

31.7 LCD Characteristics

31.7.1 Resistance division method

(1) Static display mode

(T_A = -40 to +105°C, V_{L4} (MIN.) ≤ V_{DD}^{Note} ≤ 5.5 V, V_{SS} = 0 V)

Parameter	Symbol	Conditions	MIN.	TYP.	MAX.	Unit
LCD drive voltage	V _{L4}		2.0		V _{DD}	V

Note Must be 2.4 V or higher.

(2) 1/2 bias method, 1/4 bias method

(T_A = -40 to +105°C, V_{L4} (MIN.) ≤ V_{DD} ≤ 5.5 V, V_{SS} = 0 V)

Parameter	Symbol	Conditions	MIN.	TYP.	MAX.	Unit
LCD drive voltage	V _{L4}		2.7		V _{DD}	V

(3) 1/3 bias method

(T_A = -40 to +105°C, V_{L4} (MIN.) ≤ V_{DD} ≤ 5.5 V, V_{SS} = 0 V)

Parameter	Symbol	Conditions	MIN.	TYP.	MAX.	Unit
LCD drive voltage	V _{L4}		2.5		V _{DD}	V

31.7.2 Internal voltage boosting method

(1) 1/3 bias method

(T_A = -40 to +105°C, 2.4 V ≤ V_{DD} ≤ 5.5 V, V_{SS} = 0 V)

Parameter	Symbol	Conditions	MIN.	TYP.	MAX.	Unit	
LCD output voltage variation range	V _{L1}	C1 to C4 ^{Note 1} = 0.47 μF	VLCD = 04H	0.90	1.00	1.08	V
			VLCD = 05H	0.95	1.05	1.13	V
			VLCD = 06H	1.00	1.10	1.18	V
			VLCD = 07H	1.05	1.15	1.23	V
			VLCD = 08H	1.10	1.20	1.28	V
			VLCD = 09H	1.15	1.25	1.33	V
			VLCD = 0AH	1.20	1.30	1.38	V
			VLCD = 0BH	1.25	1.35	1.43	V
			VLCD = 0CH	1.30	1.40	1.48	V
			VLCD = 0DH	1.35	1.45	1.53	V
			VLCD = 0EH	1.40	1.50	1.58	V
			VLCD = 0FH	1.45	1.55	1.63	V
			VLCD = 10H	1.50	1.60	1.68	V
			VLCD = 11H	1.55	1.65	1.73	V
VLCD = 12H	1.60	1.70	1.78	V			
VLCD = 13H	1.65	1.75	1.83	V			
Doubler output voltage	V _{L2}	C1 to C4 ^{Note 1} = 0.47 μF	2 V _{L1} -0.1	2 V _{L1}	2 V _{L1}	V	
Tripler output voltage	V _{L4}	C1 to C4 ^{Note 1} = 0.47 μF	3 V _{L1} -0.15	3 V _{L1}	3 V _{L1}	V	
Reference voltage setup time ^{Note 2}	t _{VWAIT1}		5			ms	
Voltage boost wait time ^{Note 3}	t _{VWAIT2}	C1 to C4 ^{Note 1} = 0.47 μF	500			ms	

Notes 1. This is a capacitor that is connected between voltage pins used to drive the LCD.

C1: A capacitor connected between CAPH and CAPL

C2: A capacitor connected between V_{L1} and GND

C3: A capacitor connected between V_{L2} and GND

C4: A capacitor connected between V_{L4} and GND

C1 = C2 = C3 = C4 = 0.47 μF ± 30%

- This is the time required to wait from when the reference voltage is specified by using the VLCD register (or when the internal voltage boosting method is selected [by setting the MDSET1 and MDSET0 bits of the LCDM0 register to 01B] if the default value reference voltage is used) until voltage boosting starts (VLCON = 1).
- This is the wait time from when voltage boosting is started (VLCON = 1) until display is enabled (LCDON = 1).

(2) 1/4 bias method

(T_A = -40 to +105°C, 2.4 V ≤ V_{DD} ≤ 5.5 V, V_{SS} = 0 V)

Parameter	Symbol	Conditions	MIN.	TYP.	MAX.	Unit	
LCD output voltage variation range	V _{L1} ^{Note 4}	C1 to C5 ^{Note 1} = 0.47 μF	VLCD = 04H	0.90	1.00	1.08	V
			VLCD = 05H	0.95	1.05	1.13	V
			VLCD = 06H	1.00	1.10	1.18	V
			VLCD = 07H	1.05	1.15	1.23	V
			VLCD = 08H	1.10	1.20	1.28	V
			VLCD = 09H	1.15	1.25	1.33	V
			VLCD = 0AH	1.20	1.30	1.38	V
			VLCD = 0BH	1.25	1.35	1.43	V
			VLCD = 0CH	1.30	1.40	1.48	V
			VLCD = 0DH	1.35	1.45	1.53	V
			VLCD = 0EH	1.40	1.50	1.58	V
			VLCD = 0FH	1.45	1.55	1.63	V
			VLCD = 10H	1.50	1.60	1.68	V
			VLCD = 11H	1.55	1.65	1.73	V
VLCD = 12H	1.60	1.70	1.78	V			
VLCD = 13H	1.65	1.75	1.83	V			
Doubler output voltage	V _{L2}	C1 to C5 ^{Note 1} = 0.47 μF	2 V _{L1} - 0.08	2 V _{L1}	2 V _{L1}	V	
Tripler output voltage	V _{L3}	C1 to C5 ^{Note 1} = 0.47 μF	3 V _{L1} - 0.12	3 V _{L1}	3 V _{L1}	V	
Quadruply output voltage	V _{L4} ^{Note 4}	C1 to C5 ^{Note 1} = 0.47 μF	4 V _{L1} - 0.16	4 V _{L1}	4 V _{L1}	V	
Reference voltage setup time ^{Note 2}	t _{VWAIT1}		5			ms	
Voltage boost wait time ^{Note 3}	t _{VWAIT2}	C1 to C5 ^{Note 1} = 0.47 μF	500			ms	

Notes 1. This is a capacitor that is connected between voltage pins used to drive the LCD.

C1: A capacitor connected between CAPH and CAPL

C2: A capacitor connected between V_{L1} and GND

C3: A capacitor connected between V_{L2} and GND

C4: A capacitor connected between V_{L3} and GND

C5: A capacitor connected between V_{L4} and GND

C1 = C2 = C3 = C4 = C5 = 0.47 μF ± 30%

- This is the time required to wait from when the reference voltage is specified by using the VLCD register (or when the internal voltage boosting method is selected [by setting the MDSET1 and MDSET0 bits of the LCDM0 register to 01B] if the default value reference voltage is used) until voltage boosting starts (VLCON = 1).
- This is the wait time from when voltage boosting is started (VLCON = 1) until display is enabled (LCDON = 1).
- V_{L4} must be 5.5 V or lower.

31.7.3 Capacitor split method

1/3 bias method

(T_A = -40 to +105°C, 2.4 V ≤ V_{DD} ≤ 5.5 V, V_{SS} = 0 V)

Parameter	Symbol	Conditions	MIN.	TYP.	MAX.	Unit
V _{L4} voltage	V _{L4}	C1 to C4 = 0.47 μF ^{Note 2}		V _{DD}		V
V _{L2} voltage	V _{L2}	C1 to C4 = 0.47 μF ^{Note 2}	2/3 V _{L4} - 0.1	2/3 V _{L4}	2/3 V _{L4} + 0.1	V
V _{L1} voltage	V _{L1}	C1 to C4 = 0.47 μF ^{Note 2}	1/3 V _{L4} - 0.1	1/3 V _{L4}	1/3 V _{L4} + 0.1	V
Capacitor split wait time ^{Note 1}	t _{WAIT}		100			ms

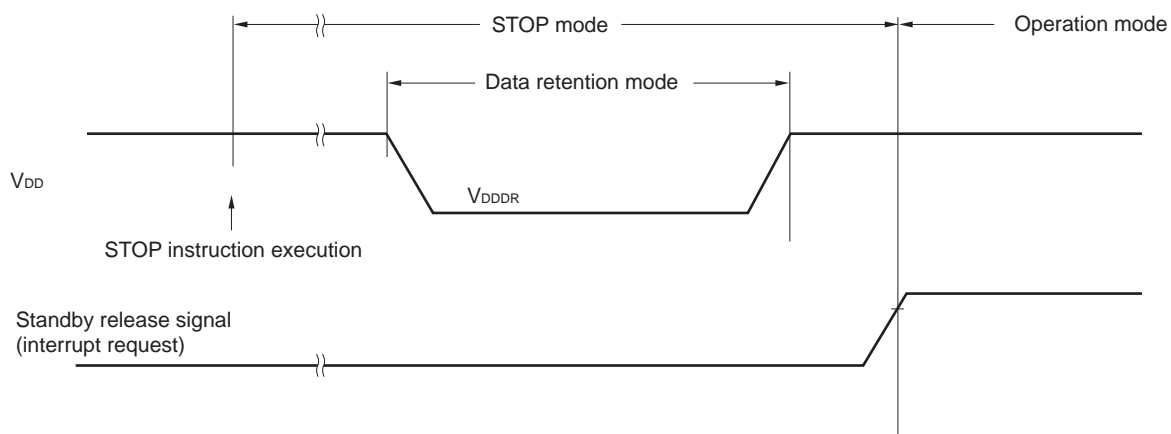
- Notes**
- This is the wait time from when voltage bucking is started (VLCON = 1) until display is enabled (LCDON = 1).
 - This is a capacitor that is connected between voltage pins used to drive the LCD.
 - C1: A capacitor connected between CAPH and CAPL
 - C2: A capacitor connected between V_{L1} and GND
 - C3: A capacitor connected between V_{L2} and GND
 - C4: A capacitor connected between V_{L4} and GND
 - C1 = C2 = C3 = C4 = 0.47 μF±30%

31.8 Data Memory STOP Mode Low Supply Voltage Data Retention Characteristics

(T_A = -40 to +105°C, V_{SS} = 0 V)

Parameter	Symbol	Conditions	MIN.	TYP.	MAX.	Unit
Data retention supply voltage	V _{DDDR}		1.44 ^{Note}		5.5	V

Note The value depends on the POR detection voltage. When the voltage drops, the data is retained before a POR reset is effected, but data is not retained when a POR reset is effected.



31.9 Flash Memory Programming Characteristics

(T_A = -40 to +105°C, 2.4 V ≤ EV_{DD} = V_{DD} ≤ 5.5 V, V_{SS} = EV_{SS} = 0 V)

Parameter	Symbol	Conditions		MIN.	TYP.	MAX.	Unit
System clock frequency	f _{CLK}	1.8 V ≤ V _{DD} ≤ 5.5 V		1		24	MHz
Number of code flash rewrites Notes 1, 2, 3	C _{enwr}	Retained for 20 years	T _A = 85°C	1,000			Times
Number of data flash rewrites Notes 1, 2, 3		Retained for 1 year	T _A = 25°C		1,000,000		
		Retained for 5 years	T _A = 85°C	100,000			
		Retained for 20 years	T _A = 85°C	10,000			

- Notes**
- 1 erase + 1 write after the erase is regarded as 1 rewrite.
The retaining years are until next rewrite after the rewrite.
 2. When using flash memory programmer and Renesas Electronics self programming library
 3. This characteristic indicates the flash memory characteristic and based on Renesas Electronics reliability test.

31.10 Dedicated Flash Memory Programmer Communication (UART)

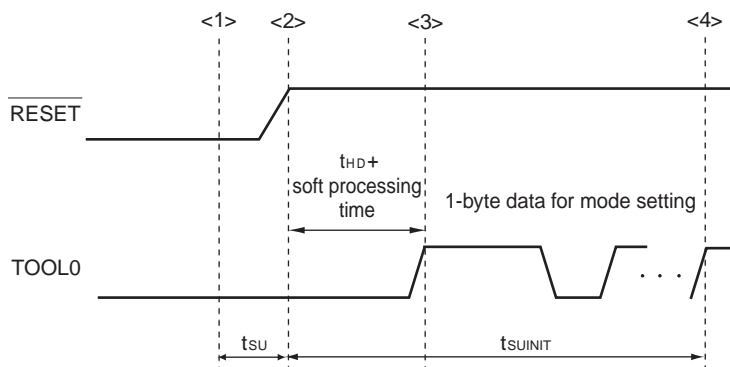
(T_A = -40 to +105°C, 2.4 V ≤ EV_{DD} = V_{DD} ≤ 5.5 V, V_{SS} = EV_{SS} = 0 V)

Parameter	Symbol	Conditions	MIN.	TYP.	MAX.	Unit
Transfer rate		During flash memory programming	115,200		1,000,000	bps

31.11 Timing Specifications for Switching Flash Memory Programming Modes

(T_A = -40 to +105°C, 2.4 V ≤ EV_{DD} = V_{DD} ≤ 5.5 V, V_{SS} = EV_{SS} = 0 V)

Parameter	Symbol	Conditions	MIN.	TYP.	MAX.	Unit
Time to complete the communication for the initial setting after the external reset is released	t _{SUINIT}	POR and LVD reset must be released before the external reset is released.			100	ms
Time to release the external reset after the TOOL0 pin is set to the low level	t _{SU}	POR and LVD reset must be released before the external reset is released.	10			μs
Time to hold the TOOL0 pin at the low level after the external reset is released (excluding the processing time of the firmware to control the flash memory)	t _{HD}	POR and LVD reset must be released before the external reset is released.	1			ms



- <1> The low level is input to the TOOL0 pin.
- <2> The external reset is released (POR and LVD reset must be released before the external reset is released.).
- <3> The TOOL0 pin is set to the high level.
- <4> Setting of the flash memory programming mode by UART reception and complete the baud rate setting.

Remark t_{SUINIT}: Communication for the initial setting must be completed within 100 ms after the external reset is released during this period.

- t_{SU}: Time to release the external reset after the TOOL0 pin is set to the low level
- t_{HD}: Time to hold the TOOL0 pin at the low level after the external reset is released (excluding the processing time of the firmware to control the flash memory)

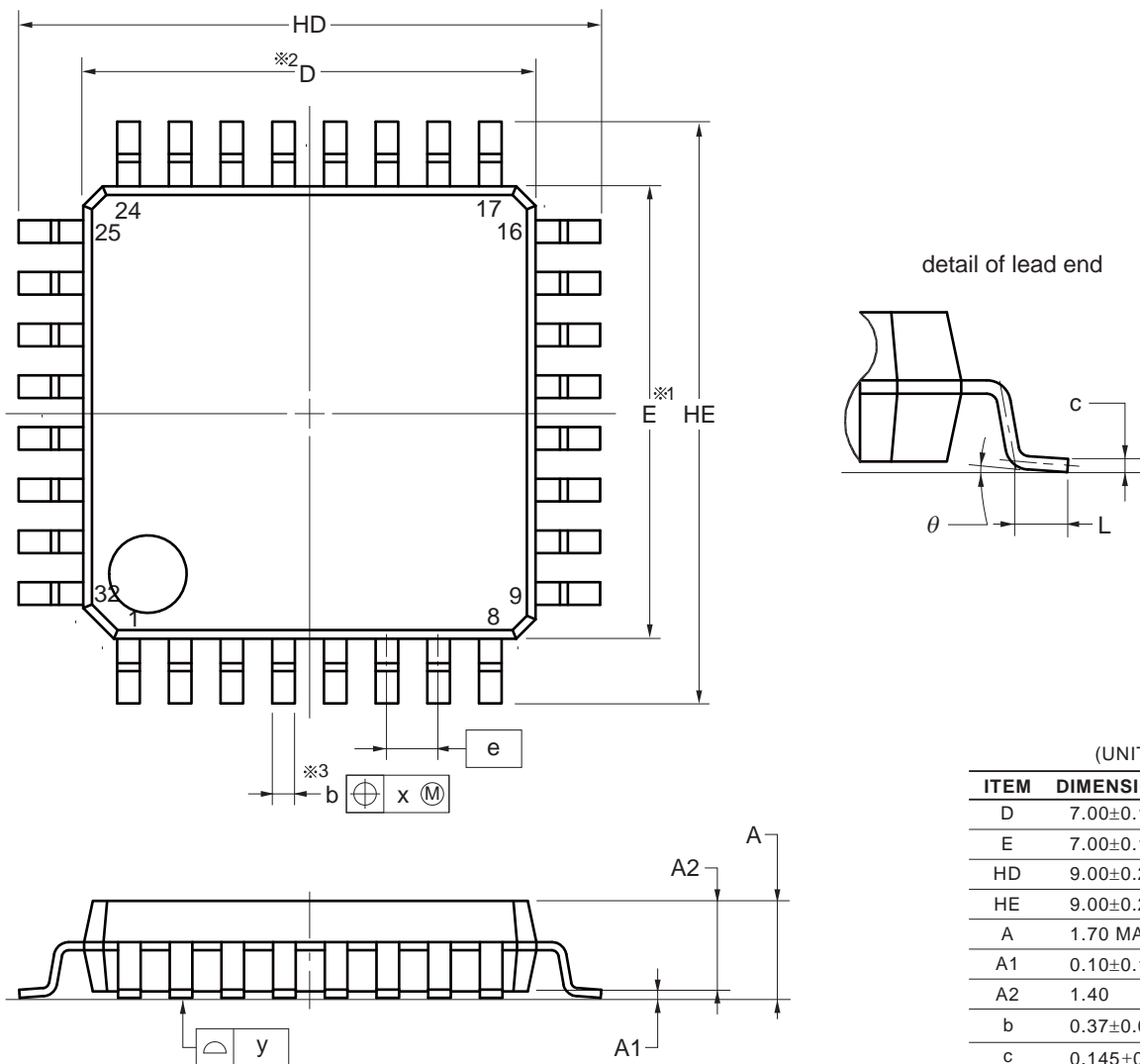
CHAPTER 32 PACKAGE DRAWINGS

32.1 32-pin products

R5F10RB8AFP, R5F10RBAAFP, R5F10RBCAFP

<R> R5F10RB8GFP, R5F10RBAGFP, R5F10RBCGFP

JEITA Package Code	RENESAS Code	Previous Code	MASS (TYP.) [g]
P-LQFP32-7x7-0.80	PLQP0032GB-A	P32GA-80-GBT-1	0.2



NOTE

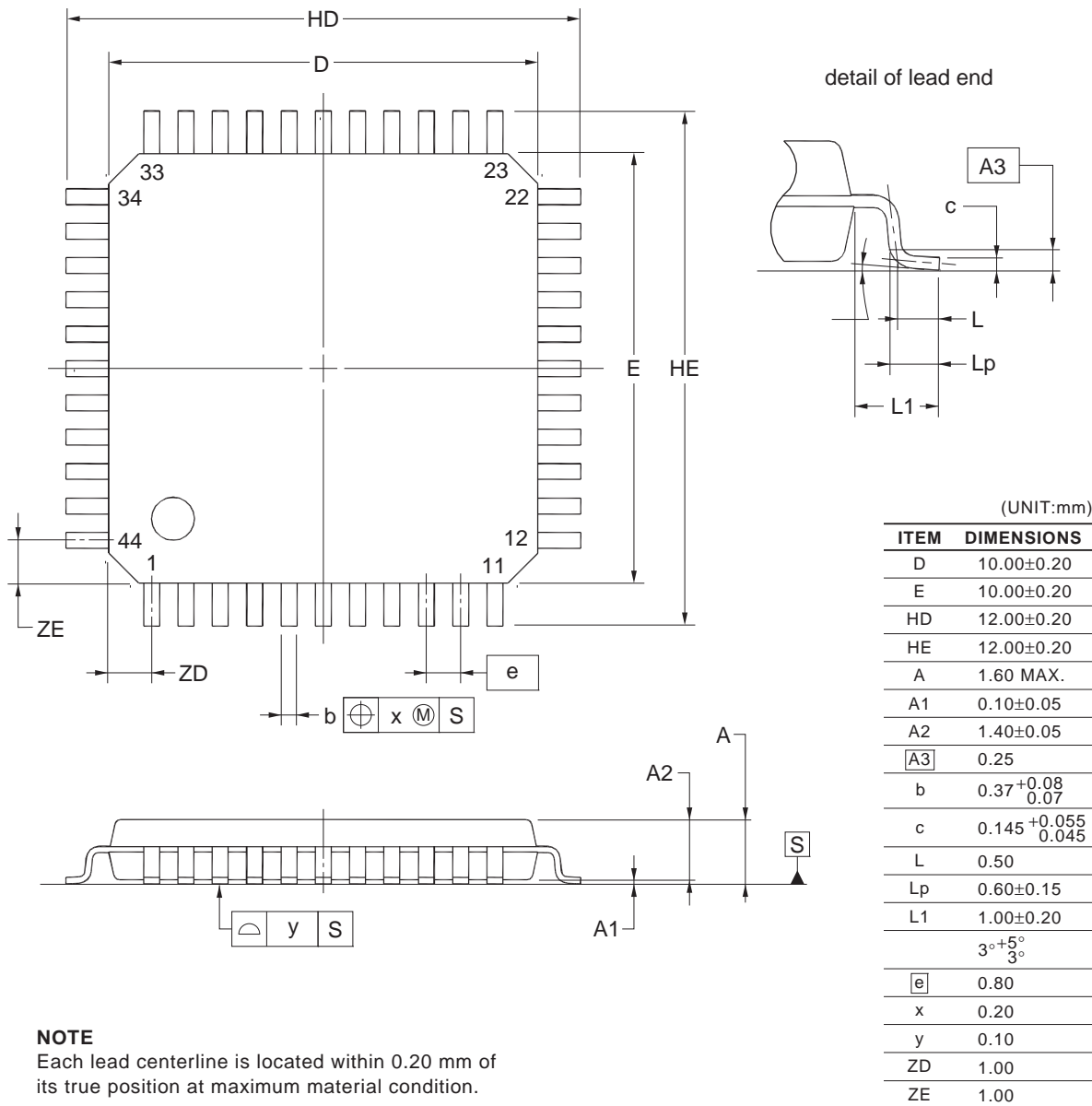
1. Dimensions "※1" and "※2" do not include mold flash.
2. Dimension "※3" does not include trim offset.

32.2 44-pin products

R5F10RF8AFP, R5F10RFAAFP, R5F10RFCAFP

<R> R5F10RF8GFP, R5F10RFAGFP, R5F10RFCGFP

JEITA Package Code	RENESAS Code	Previous Code	MASS (TYP.) [g]
P-LQFP44-10x10-0.80	PLQP0044GC-A	P44GB-80-UES-2	0.36



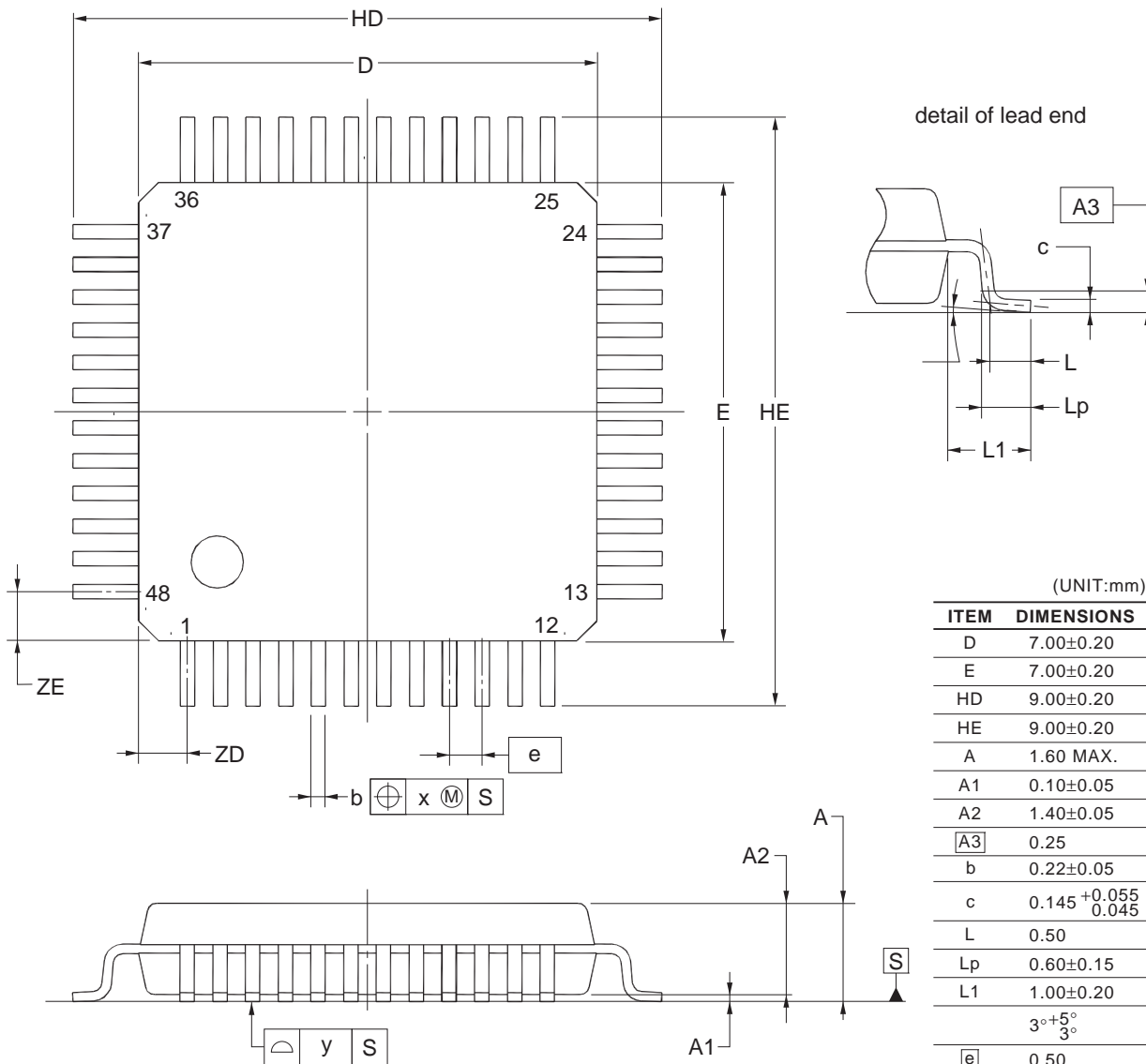
NOTE
Each lead centerline is located within 0.20 mm of its true position at maximum material condition.

32.3 48-pin products

R5F10RG8AFB, R5F10RGAAF, R5F10RGCAF

<R> R5F10RG8GFB, R5F10RGAGFB, R5F10RGCGFB

JEITA Package Code	RENESAS Code	Previous Code	MASS (TYP.) [g]
P-LFQFP48-7x7-0.50	PLQP0048KF-A	P48GA-50-8EU-1	0.16



(UNIT:mm)

ITEM	DIMENSIONS
D	7.00±0.20
E	7.00±0.20
HD	9.00±0.20
HE	9.00±0.20
A	1.60 MAX.
A1	0.10±0.05
A2	1.40±0.05
A3	0.25
b	0.22±0.05
c	0.145 ^{+0.055} _{0.045}
L	0.50
Lp	0.60±0.15
L1	1.00±0.20
	3°+5° 3°
e	0.50
x	0.08
y	0.08
ZD	0.75
ZE	0.75

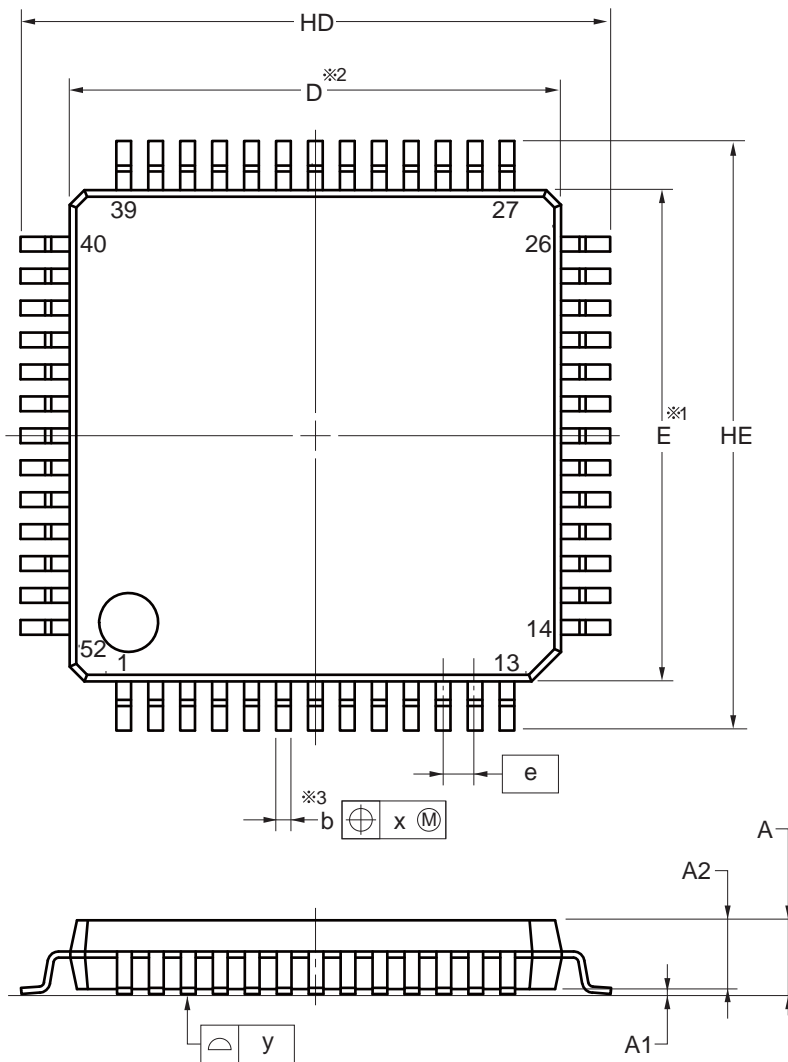
NOTE
Each lead centerline is located within 0.08 mm of its true position at maximum material condition.

32.4 52-pin products

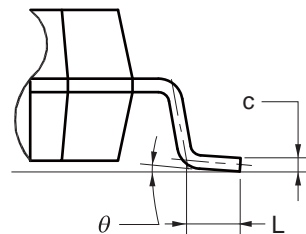
R5F10RJ8AFA, R5F10RJAAFA, R5F10RJCAFA

<R> R5F10RJ8GFA, R5F10RJAGFA, R5F10RJCGFA

JEITA Package Code	RENESAS Code	Previous Code	MASS (TYP.) [g]
P-LQFP52-10x10-0.65	PLQP0052JA-A	P52GB-65-GBS-1	0.3



detail of lead end



(UNIT:mm)

ITEM	DIMENSIONS
D	10.00±0.10
E	10.00±0.10
HD	12.00±0.20
HE	12.00±0.20
A	1.70 MAX.
A1	0.10±0.05
A2	1.40
b	0.32±0.05
c	0.145±0.055
L	0.50±0.15
θ	0° to 8°
φ	0.65
x	0.13
y	0.10

NOTE1. Dimensions “※1” and “※2” do not include mold flash.

2. Dimension “※3” does not include trim offset.

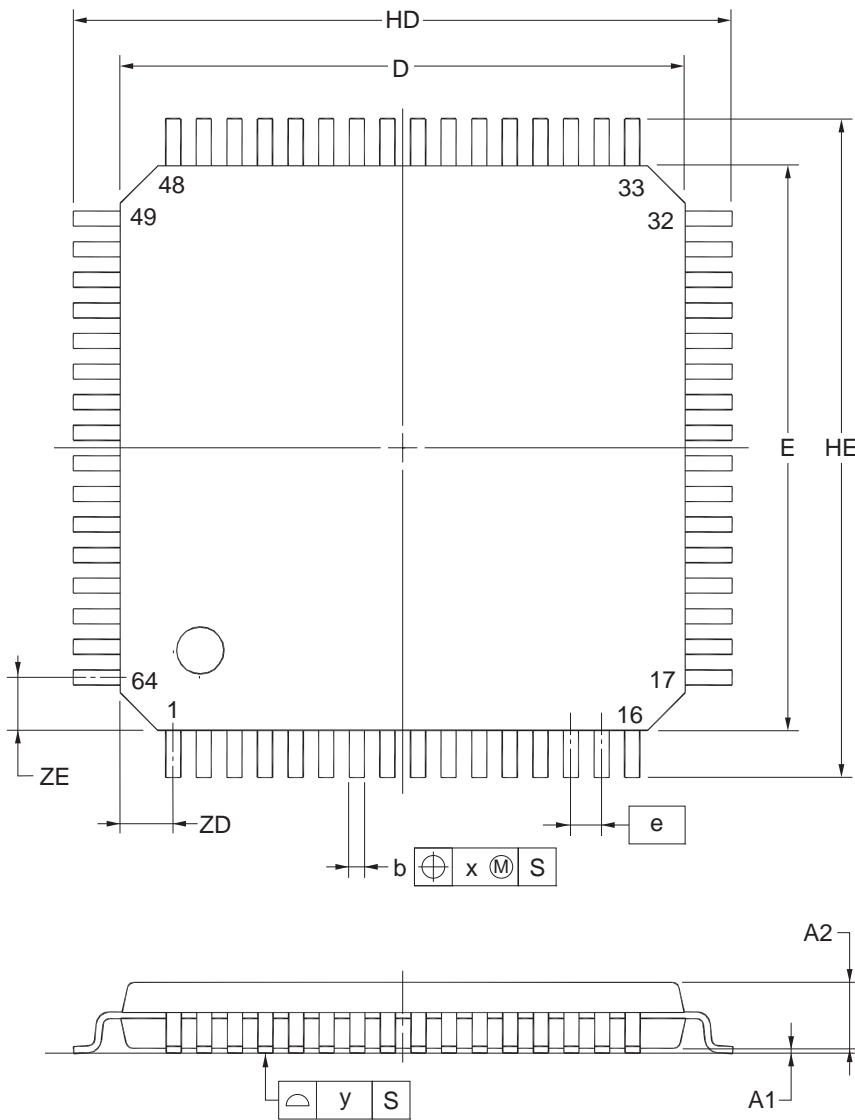
© 2012 Renesas Electronics Corporation. All rights reserved.

32.5 64-pin products

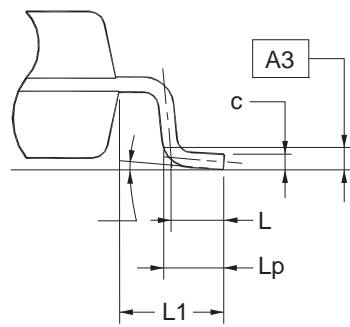
R5F10RLAAFA, R5F10RLCAFA

<R> R5F10RLAGFA, R5F10RLCGFA

JEITA Package Code	RENESAS Code	Previous Code	MASS (TYP.) [g]
P-LQFP64-12x12-0.65	PLQP0064JA-A	P64GK-65-UET-2	0.51



detail of lead end



(UNIT:mm)

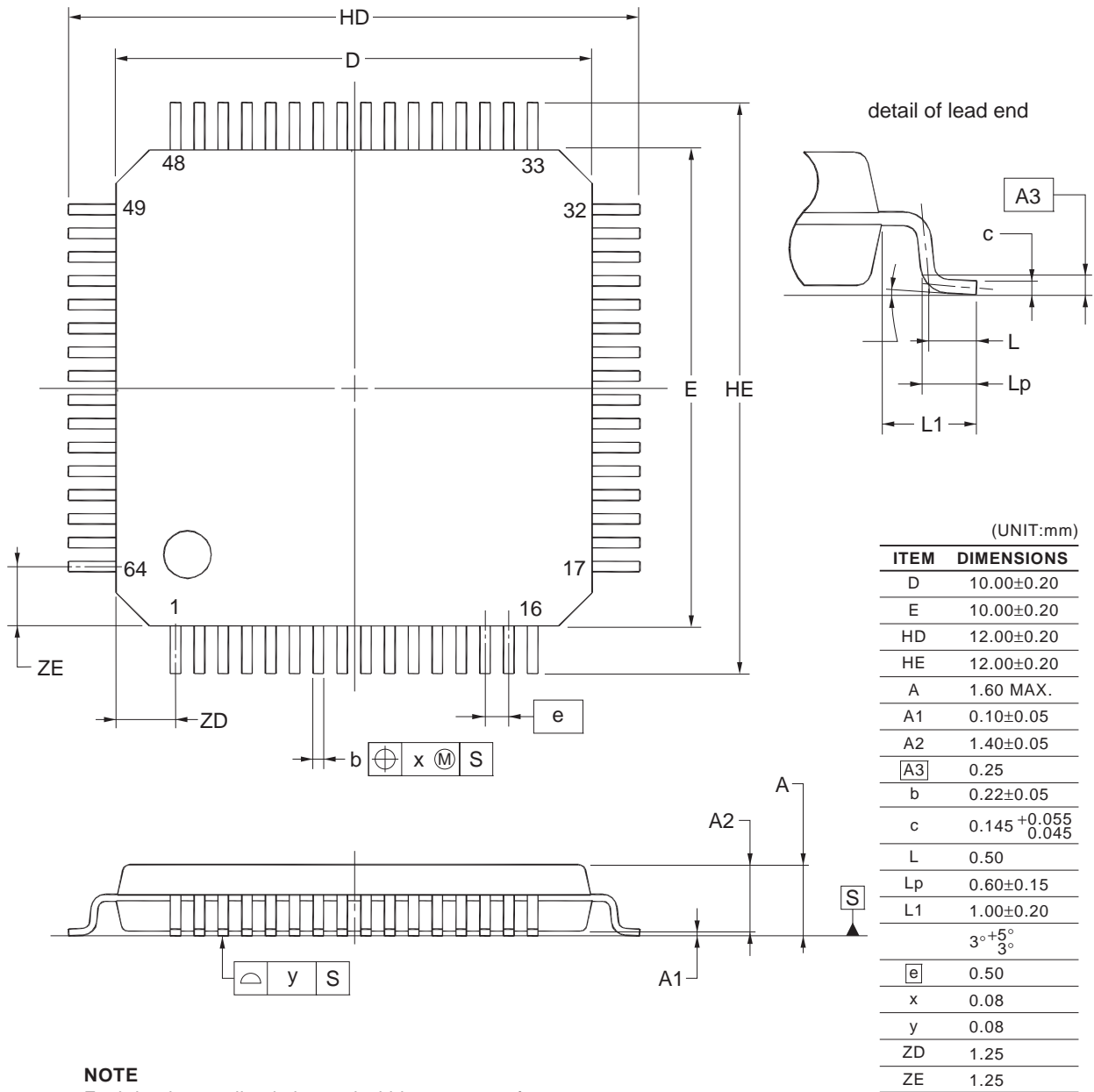
ITEM	DIMENSIONS
D	12.00±0.20
E	12.00±0.20
HD	14.00±0.20
HE	14.00±0.20
A	1.60 MAX.
A1	0.10±0.05
A2	1.40±0.05
A3	0.25
b	0.32 ^{+0.08} / _{0.07}
c	0.145 ^{+0.055} / _{0.045}
L	0.50
Lp	0.60±0.15
L1	1.00±0.20
	3° ^{+5°} / _{3°}
e	0.65
x	0.13
y	0.10
ZD	1.125
ZE	1.125

NOTE

Each lead centerline is located within 0.13 mm of its true position at maximum material condition.

R5F10RLAAFB, R5F10RLCAFB
 <R> R5F10RLAGFB, R5F10RLCGFB

JEITA Package Code	RENESAS Code	Previous Code	MASS (TYP.) [g]
P-LFQFP64-10x10-0.50	PLQP0064KF-A	P64GB-50-UEU-2	0.35

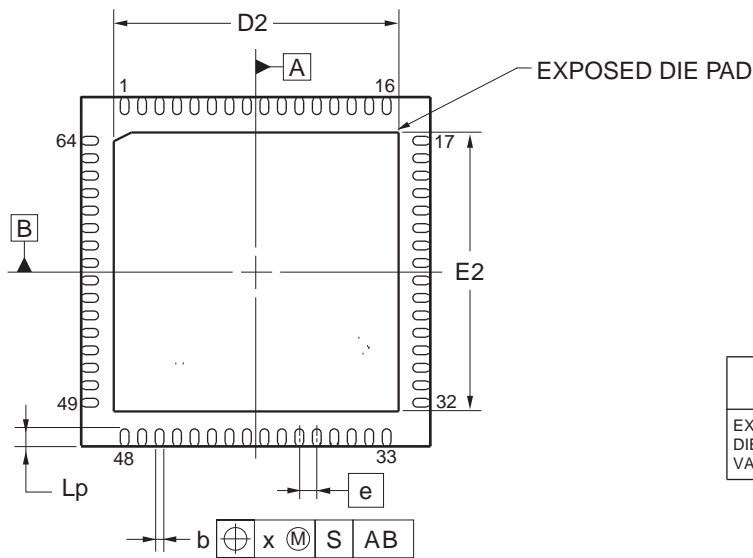
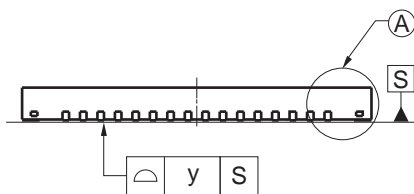
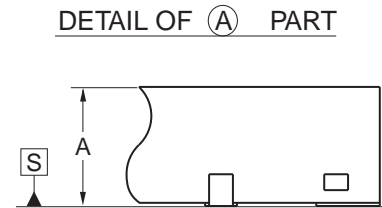
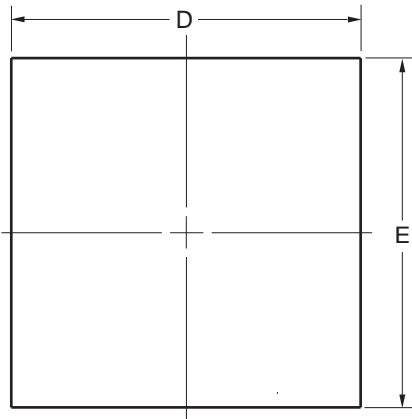


NOTE
 Each lead centerline is located within 0.08 mm of its true position at maximum material condition.

R5F10RLAANB, R5F10RLCANB

<R> R5F10RLAGNB, R5F10RLCGNB

JEITA Package Code	RENESAS Code	Previous Code	MASS (TYP.) [g]
P-HWQFN64-8x8-0.40	PWQN0064LA-A	P64K8-40-9B5-1	0.16



(UNIT:mm)

ITEM	DIMENSIONS
D	8.00±0.05
E	8.00±0.05
A	0.75±0.05
b	0.20±0.05
e	0.40
Lp	0.40±0.10
x	0.05
y	0.05

ITEM		D2			E2		
		MIN	NOM	MAX	MIN	NOM	MAX
EXPOSED DIE PAD VARIATIONS	A	6.45	6.50	6.55	6.45	6.50	6.55

© 2012 Renesas Electronics Corporation. All rights reserved.

APPENDIX A REVISION HISTORY

A.1 Major Revisions in This Edition

(1/10)

Page	Description	Classification
Though out	Renamed operation speed mode control register to subsystem clock supply mode control register (OSMC)	(b)
CHAPTER 1 OUTLINE		
p.1	Modification of 1.1 Features	(b)
p.3	Modification of Figure 1-1	(b)
p.4	Modification of part number, note , and caution	(b)
p.5 to 10	Deletion of COMEXP pin in 1.3.1 to 1.3.5 .	(b)
p.11	Modification of description in 1.4 Pin Identification	(c)
p.12 to 16	Deletion of COMEXP pin in 1.5.1 to 1.5.5	(b)
p.17	Modification of table and note 2 in 1.6 Outline of Functions	(c)
CHAPTER 2 PIN FUNCTIONS		
p.20 to 29	Modification of tables in 2. 1. 1 to 2. 1. 5	(c)
p.35, 36	Addition of 2.2.2 Description of Functions	(c)
p.37 to 39	Modification of Table 2-3. Connection of Unused Pins	(c)
p.40 to 51	Addition of Figures 2-1 to 2-14 in 2.4 Block Diagrams of Pins	(c)
CHAPTER 3 CPU ARCHITECTURE		
p.62	Modification of cautions 2 and 3 in 3.1.3 Internal data memory space	(c)
p.63	Figures 3-5 to 3-7 in 3.1.6 Data memory addressing were consolidated into Figure 3-5	(c)
p.71, 72	Modification of description in Table 3-5 .	(c)
p.75	Modification of description and note 3 in Table 3-6	(c)
CHAPTER 4 PORT FUNCTIONS		
p.100 to 102	Addition of description of port 1 to port 14 in 4.2.1 to 4.2.10	(c)
p.106	Addition of caution to Figure 4-1	(c)
p.107	Addition of caution to Figure 4-2	(c)
p.108	Addition of caution 2 to Figure 4-3	(c)
p.109	Addition of caution 2 to Figure 4-4	(c)
p.109	Addition of caution in 4.3.5	(c)
p.109	Addition of caution to Figure 4-5	(c)
p.110	Modification of caution 1 in Figure 4-6	(c)
p.110	Addition of caution 3 to Figure 4-6	(c)
p.111	Addition of caution 3 to Figure 4-7	(c)
p.112	Modification of description in Figure 4-8	(c)
p.117	Modification of description in 4.4.4 Connecting to external device with different potential (1.8 V, 2.5 V, 3 V)	(c)
p.117	Addition of 4.4.5 Handling different potential (1.8 V, 2.5 V, 3 V) by using I/O buffers	(c)
p.119	Addition of 4.5.1 Basic concept when using alternate function	(c)
p.120	Addition of 4.5.2 Register settings for alternate function whose output function is not used	(c)

Remark "Classification" in the above table classifies revisions as follows.

- (a): Error correction, (b): Addition/change of specifications, (c): Addition/change of description or note, (d): Addition/change of package, part number, or management division, (e): Addition/change of related documents

(2/10)

Page	Description	Classification
p.121	Addition of 4.5.3 Register setting examples for used port and alternate functions	(c)
p.129	Modification of description in 4.6.2 Notes on specifying the pin settings	(c)
CHAPTER 5 CLOCK GENERATOR		
p.131	Modification of description in 5.1 Functions of Clock Generator	(c)
p.133	Modification of description in Figure 5-1	(b)
p.141	Modification of description in 5.3.5 Oscillation stabilization time select register (OSTS)	(c)
p.142	Modification of cautions 2 and 3 in Figure 5-6	(c)
p.145	Modification of description in Figure 5-8	(c)
p.147	Modification of remarks 1 and 2 in Figure 5-10	(c)
p.152	Modification of description in 5.4.3 High-speed on-chip oscillator	(c)
p.152	Modification of description in 5.4.4 Low-speed on-chip oscillator	(c)
p.155	Modification of description in 5.6.1 Example of setting high-speed on-chip oscillator	(c)
p.157	Modification of description in 5.6.3 Example of setting XT1 oscillation clock	(c)
p.158	Modification of description in Figure 5-15	(c)
p.160	Modification of caution in Table 5-3 (2/5)	(c)
p.161	Modification of description in Table 5-3 (3/5)	(c)
p.161	Addition of remark 2 to Table 5-3 (3/5)	(c)
p.162	Modification of description in Table 5-3 (4/5)	(c)
p.163	Modification of description in Table 5-3 (5/5)	(c)
p.168 to 170	Addition of 5.7 Resonator and Oscillator Constants	(c)
CHAPTER 6 TIMER ARRAY UNIT		
p.171, 172	Modification of description of the timer array unit	(c)
p.174	Modification of description in 6.1.2 Simultaneous channel operation function (1) One-shot pulse output	(c)
p.179	Modification of description in Figure 6-1	(c)
p.180	Modification of description in Figures 6-2 and 6-3	(c)
p.181	Modification of description in Figures 6-4 and 6-5	(c)
p.182	Modification of description in Figure 6-6	(c)
p.186	Modification of caution 1 in 6.3.1 Peripheral enable register 0 (PER0)	(c)
p.200	Modification of description in Figure 6-19	(c)
p.205	Modification of description in 6.3.15 Noise filter enable register 1 (NFEN1)	(c)
p.216	Modification of remark in 6.5.3 Operation of counter (2) Operation of event counter mode	(c)
p.217	Modification of description and remark in Figure 6-30	(c)
p.229	Modification of description in 6.7 Timer Input (Timm) Control	(c)
p.237	Modification of Figure 6-49	(c)
p.246	Modification of description in 6.8.4 Operation as input pulse interval measurement	(c)
p.246	Modification of Figure 6-57	(c)
p.249	Modification of description in Figure 6-60	(c)
p.251	Modification in Figure 6-61	(c)

Remark "Classification" in the above table classifies revisions as follows.

- (a): Error correction, (b): Addition/change of specifications, (c): Addition/change of description or note, (d): Addition/change of package, part number, or management division, (e): Addition/change of related documents

(3/10)

Page	Description	Classification
p.253	Modification of description in Figure 6-64	(c)
p.254	Modification of Figure 6-65	(c)
p.258	Modification of description in Figure 6-68	(c)
p.260	Modification of Figure 6-69	(c)
p.264, 265	Modification of description in Figure 6-73	(c)
CHAPTER 7 REAL-TIME CLOCK		
p.284	Modification of description in 7.1 Functions of Real-time Clock	(c)
p.285	Modification of description in Figure 7-1	(c)
p.286	Modification of description in 7.3 Registers Controlling Real-time Clock	(c)
p.287, 288	Modification of cautions 1 and 2 in Figure 7-2	(c)
p.289	Modification of description in 7.3.2 Subsystem clock supply mode control register (OSMC)	(c)
p.290	Modification of note and caution 2 in Figure 7-4	(c)
p.293	Modification of caution 2 in Figure 7-6	(c)
p.301	Modification of description in 7.3.16 Port mode register 3 (PM3)	(c)
p.301	Modification of description in 7.3.17 Port register 3 (P3)	(c)
p.302	Modification of note 1 in 7.4.1 Starting operation of real-time clock	(c)
p.307	Modification of caution 2 in Figure 7-24	(c)
p.309, 310	Addition of correction example 1 and Figure 7-25	(c)
CHAPTER 8 12-BIT INTERVAL TIMER		
p.313	Modification of description in Table 8-1	(c)
p.313	Modification of description in Figure 8-1	(c)
p.314	Modification of cautions 1 and 2 in 8.3.1 Peripheral enable register 0 (PER0)	(c)
p.315	Modification of description in 8.3.2 Subsystem clock supply mode control register (OSMC) and Figure 8-3	(c)
p.318	Modification of description in 8.4.2 Start of count operation and re-enter to HALT/STOP mode after returned from HALT/STOP mode	(c)
CHAPTER 9 CLOCK OUTPUT/BUZZER OUTPUT CONTROLLER		
p.319	Modification of caution in 9.1 Functions of Clock Output/Buzzer Output Controller	(c)
p.324	Modification of cautions 2 and 3 in Figure 9-3	(c)
p.326	Modification of description in 9.4.1 Operation as output pin	(c)
CHAPTER 10 WATCHDOG TIMER		
p.327	Modification of description in 10.1 Functions of Watchdog Timer	(c)
p.328	Modification of description in Table 10-1	(c)
p.328	Modification of description in Figure 10-1	(c)
p.330	Modification of caution 2 in 10.4.1 Controlling operation of watchdog timer	(c)

Remark "Classification" in the above table classifies revisions as follows.

- (a): Error correction, (b): Addition/change of specifications, (c): Addition/change of description or note, (d): Addition/change of package, part number, or management division, (e): Addition/change of related documents

(4/10)

Page	Description	Classification
CHAPTER 11 A/D CONVERTER		
p.334	Modification of description in 11.1 Function of A/D Converter	(c)
p.335	Modification of description in Figure 11-1	(c)
p.337	Modification of description in 11.2 Configuration of A/D Converter	(c)
p.343	Modification of caution 4 in Figure 11-4	(c)
p.344	Modification of note 3 and caution 1 in Table 11-3 (1/4)	(c)
p.345	Modification of note 8 and caution 1 in Table 11-3 (2/4)	(c)
p.346	Modification of note 4 and caution 1 in Table 11-3 (3/4)	(c)
p.347	Modification of note 9 and caution 1 in Table 11-3 (4/4)	(c)
p.348	Modification of Figure 11-5	(c)
p.349	Modification of cautions 2 and 3 in Figure 11-6	(c)
p.350, 351	Modification of description of ADREFP1, ADREFP0, ADRCK, and AWC bits in Figure 11-7	(c)
p.354	Modification of caution 8 in Figure 11-11	(c)
p.355	Modification of cautions 2 and 3 in Figure 11-13	(c)
p.356	Modification of description in 11.3.10 A/D test register (ADTES)	(c)
p.356	Modification of description of ADTES1 and ADTES0 bits in Figure 11-14	(c)
p.356	Modification of description in 11.3.11 Registers controlling port function of analog input pins	(c)
p.358	Modification of Figure 11-15 and description	(c)
p.363	Modification of Figure 11-20	(c)
p.365	Modification of Figure 11-22	(c)
p.366	Modification of Figure 11-23	(c)
p.367	Modification of Figure 11-24	(c)
p.368	Modification of Figure 11-25	(c)
p.369	Modification of Figure 11-26	(c)
p.370	Modification of Figure 11-27 and caution	(c)
p.371	Modification of description in 11.8 SNOOZE Mode Function	(c)
p.376	Modification of Figures 11-34 and 11-35	(c)
p.378	Modification of description in 11.10 (5) Analog input (ANIn) pins	(c)
p.378	Modification of description in 11.10 (6) Input impedance of analog input (ANIn) pins	(c)
CHAPTER 12 SERIAL ARRAY UNIT		
p.381	Modification of description in 12.1.1 3-wire serial I/O (CSI00, CSI01)	(c)
p.384	Modification of Figure 12-1	(c)
p.388	Modification of caution 1 in Figure 12-3	(c)
p.394	Modification of description in 12.3.5 Higher 7 bits of the serial data register mn (SDRmn)	(c)
p.403	Modification of Figure 12-16	(c)
p.404	Modification of caution in 12.3.14 Serial standby control register m (SSCm)	(b)
p.404	Modification of description in Figure 12-17	(c)

Remark "Classification" in the above table classifies revisions as follows.

- (a): Error correction, (b): Addition/change of specifications, (c): Addition/change of description or note, (d): Addition/change of package, part number, or management division, (e): Addition/change of related documents

(5/10)

Page	Description	Classification
p.405	Addition of Figure 12-18	(c)
p.407	Addition of 12.3.17 Registers controlling port functions of serial input/output pins	(c)
p.410	Modification of description in 12.5 Operation of 3-Wire Serial I/O (CSI00, CSI01) Communication	(c)
p.416	Modification of Figure 12-26	(c)
p.418	Modification of Figure 12-28	(c)
p.420	Modification of Figure 12-30	(c)
p.424	Modification of Figure 12-33	(c)
p.425	Modification of Figure 12-34	(c)
p.427	Modification of Figure 12-36	(c)
p.429	Modification of Figure 12-38	(c)
p.437	Modification of Figure 12-44	(c)
p.436	Modification of Figure 12-46	(c)
p.440	Modification of note 1 in 12.5.4 Slave transmission	(c)
p.445	Modification of Figure 12-50	(c)
p.447	Modification of Figure 12-52	(c)
p.449	Modification of Figure 12-54	(c)
p.450	Modification of description and note 1 in 12.5.5 Slave reception	(c)
p.456	Modification of Figure 12-60	(c)
p.457	Modification of note 1 in 12.5.6 Slave transmission/reception	(c)
p.462	Modification of caution 2 in Figure 12-64	(c)
p.464	Modification of Figure 12-66	(c)
p.466	Modification of Figure 12-68	(c)
p.467, 468	Modification of description and caution 2 in 12.5.7 SNOOZE mode function	(c)
p.470	Modification of caution 2 in Figure 12-71	(c)
p.481	Modification of Figure 12-76	(c)
p.484	Modification of Figure 12-79	(c)
p.486	Modification of Figure 12-81	(c)
p.493	Modification of Figure 12-87	(c)
p.494	Modification of description in 12.6.3 SNOOZE mode function	(c)
p.495	Addition of Table 12-3	(c)
p.496	Modification of description in (1) SNOOZE mode operation (EOCm1 = 0, SSECm = 0/1) in 12.6.3 SNOOZE mode function	(c)
p.497	Modification of description in (2) SNOOZE mode operation (EOCm1 = 1, SSECm = 0: Error interrupt (INTSREq) generation is enabled) in 12.6.3 SNOOZE mode function	(c)
p.498	Modification of Figure 12-90	(c)
p.499	Modification of description in (3) SNOOZE mode operation (EOCm1 = 1, SSECm = 1: Error interrupt (INTSREq) generation is stopped) in 12.6.3 SNOOZE mode function	(c)
p.500	Modification of Figure 12-92	(c)

Remark "Classification" in the above table classifies revisions as follows.

(a): Error correction, (b): Addition/change of specifications, (c): Addition/change of description or note, (d): Addition/change of package, part number, or management division, (e): Addition/change of related documents

(6/10)

Page	Description	Classification
CHAPTER 13 SERIAL INTERFACE IICA		
p.522	Modification of caution 1 in Figure 13-5	(c)
p.526	Addition of note 2 to Figure 13-6 (3/4)	(c)
p.527	Addition of note to Figure 13-6 (4/4)	(c)
p.533	Modification of description in Figure 13-9 (2/2)	(c)
p.534	Modification of remark in 13.3.7 IICA high-level width setting register 0 (IICWH0)	(c)
p.559	Modification of Figure 13-28	(c)
p.560	Modification of Figure 13-29 (1/3)	(c)
p.562	Modification of Figure 13-29 (3/3)	(c)
p.564	Modification of Figure 13-30	(c)
CHAPTER 14 LCD CONTROLLER/DRIVER		
p.601 to 603	Modification of Tables 14-1 (1/3) to (3/3)	(c)
p.603	Modification of description in 14.1 Functions of LCD Controller/Driver	(c)
p.604 to 606	Modification of Tables 14-2 (1/5) to (5/5)	(c)
p.606	Modification of Table 14-3	(c)
p.607	Modification of Figure 14-1	(c)
p.609	Modification of caution 1 in Figure 14-2	(c)
p.610	Modification of description in Figure 14-3	(c)
p.611	Modification of Table 14-4	(c)
p.612	Modification of description in Figure 14-4 (1/2)	(c)
p.613	Modification of caution 1 in Figure 14-4 (2/2)	(c)
p.614	Modification of Figure 14-5	(c)
p.616	Modification of cautions 1 and 3 in Figure 14-6	(c)
p.630	Modification of Figure 14-19 and caution 2	(c)
p.631	Modification of Figure 14-20 and caution	(c)
CHAPTER 15 MULTIPLIER AND DIVIDER/MULTIPLY-ACCUMULATOR		
p.663	Modification of Figure 15-1	(c)
p.668	Modification of description in 15.3.1 Multiplication/division control register (MDUC)	(c)
p.668, 669	Modification of description and note 1 in Figure 15-5	(c)
p.674	Modification of description in 15.4.4 Multiply-accumulation (signed) operation	(c)
p.675	Modification of Figure 15-9	(c)
p.676	Modification of description in 15.4.5 Division operation	(c)
CHAPTER 16 DMA CONTROLLER		
p.678	Modification of description in 16.1 Functions of DMA Controller	(c)
p.693	Modification of Figure 16-9	(c)
CHAPTER 17 INTERRUPT FUNCTION		
p.706	Modification of note 3 in Table 17-2 (2/3)	(c)
p.709	Modification of caution 1 in Figure 17-2	(c)
p.715	Modification of description in 17.3.5 Program status word (PSW)	(c)
p.718	Modification of Figure 17-9	(c)
p.720	Modification of description and remark 3 in Table 17-5	(c)

Remark "Classification" in the above table classifies revisions as follows.

- (a): Error correction, (b): Addition/change of specifications, (c): Addition/change of description or note, (d): Addition/change of package, part number, or management division, (e): Addition/change of related documents

(7/10)

Page	Description	Classification
CHAPTER 18 KEY INTERRUPT FUNCTION		
p.724	Modification of description in Table 18-1	(c)
p.725	Modification of description in Table 18-2	(c)
CHAPTER 19 STANDBY FUNCTION		
p.733	Modification of caution in 19.3.1 HALT mode	(c)
p.736	Modification of note 2 in Figure 19-1	(c)
p.737	Modification of Figures 19-2 (1) and (2)	(c)
p.740	Modification of Figure 19-3 (1), note 2, and remark 1	(c)
p.741	Modification of Figure 19-3 (2) and note 2	(c)
p.741	Modification of note 2, caution, and remarks in Figure 19-3 (3)	(c)
p.742	Modification of Figures 19-4 (1) and (2)	(c)
p.743	Modification of description in 19.3.3 SNOOZE mode	(c)
CHAPTER 20 RESET FUNCTION		
p.745	Modification of description, caution 3, and remark	(c)
p.747	Modification of Figures 20-2 and 2-3	(c)
p.748	Modification of note 3 in Figure 20-3	(c)
p.749, 750	Modification of description in Table 20-1 and addition of note	(c)
p.750	Modification of Table 20-2 and remark	(c)
p.752	Modification of description in Table 20-3	(c)
p.753	Modification of Figure 20-5	(c)
CHAPTER 21 POWER-ON-RESET CIRCUIT		
p.754	Modification of description, caution, and remarks 1 and 2 in 21.1 Functions of Power-on-reset Circuit	(c)
p.755	Modification description in 21.3 Operation of Power-on-reset Circuit	(c)
p.756	Modification of description in Figure 21-2 (1/3)	(c)
p.757	Modification of description in Figure 21-2 (2/3)	(c)
p.758	Modification of description in Figure 21-2 (3/3)	(c)
CHAPTER 22 VOLTAGE DETECTOR		
p.759	Modification of description in 22.1 Functions of Voltage Detector	(c)
p.761	Modification of description in Figure 22-2	(c)
p.762	Modification of note 2 in Figure 22-3	(c)
p.763	Modification of description in Table 22-1 (1/2)	(c)
p.764	Modification of description in Table 22-1 (2/2)	(c)
p.765	Modification of description in 22.4.1 When used as reset mode	(c)
p.766	Modification of Figure 22-4	(c)
p.767	Modification of description in 22.4.2 When used as interrupt mode	(c)
p.768	Modification of Figure 22-5	(c)
p.769	Modification of description in 22.4.3 When used as interrupt and reset mode	(c)
p.770	Modification of description in Figure 22-6 (1/2)	(c)
p.772	Modification of description in Figure 22-6 (2/2)	(c)

Remark "Classification" in the above table classifies revisions as follows.

- (a): Error correction, (b): Addition/change of specifications, (c): Addition/change of description or note, (d): Addition/change of package, part number, or management division, (e): Addition/change of related documents

(8/10)

Page	Description	Classification
CHAPTER 23 SAFETY FUNCTIONS		
p.776	Modification of (6), (7), and remark in 23.1 Overview of Safety Functions	(c)
p.780	Modification of description in Figure 23-3	(c)
p.783	Modification of caution and remarks in Figure 23-7	(c)
p.784	Addition of Figure 23-8	(c)
p.787	Modification of description and note in Figure 23-11	(c)
p.789	Modification of description in 23.3.7 Frequency detection function	(c)
p.791	Modification of description in 23.3.8 A/D test function	(c)
p.793	Modification of description in 23.3.8.1 A/D test register (ADTES)	(c)
p.794	Modification of description in 23.3.8.2 Analog input channel specification register (ADS)	(c)
CHAPTER 25 OPTION BYTE		
p.797	Modification of description of (2) and (3) in 25.1.1 User option byte (000C0H to 000C2H)	(c)
p.800	Modification of description in Figure 25-2 (1/2)	(c)
p.801	Modification of description, caution 2 , and remark 3 in Figure 25-2 (2/2)	(c)
p.802	Modification of caution 2 in Figure 25-3	(c)
CHAPTER 26 FLASH MEMORY		
p.806	Modification of description	(c)
p.808	Modification of note in Table 26-1	(c)
p.809	Modification of note 3 in Figure 26-2	(c)
p.810	Modification of description, note , and caution in Table 26-2	(c)
p.811	Modification of note in Figure 26-4	(c)
p.811	Modification of description and note in Table 26-3	(c)
p.812	Modification of remark 1 in 26.3.1 P40/TOOL0 pin	(c)
p.814	Addition of description in 26.4 Serial Programming Method	(c)
p.819	Addition of description in 26.5 Processing Time for Each Command When PG-FP5 Is in Use (Reference Value)	(c)
p.820	Addition of description in 26.6 Self-Programming	(c)
p.823	Modification of description in 26.7 Security Settings	(c)
p.825	Addition of description in 26.8.1 Data flash overview	(c)
p.825	Addition of description in 26.8.2 Register controlling data flash memory	(c)
p.826	Addition of description in 26.8.3 Procedure for accessing data flash memory	(c)
CHAPTER 30 ELECTRICAL SPECIFICATIONS (A, G: TA = -40 to +85°C)		
p.855	Modification of description in Absolute Maximum Ratings (TA = 25°C) (1/3)	(c)
p.856	Modification of description and note 2 in Absolute Maximum Ratings (TA = 25°C) (2/3)	(c)
p.858	Modification of table, note , caution , and remark in 30.2.1 X1, XT1 oscillator characteristics	(c)

Remark "Classification" in the above table classifies revisions as follows.

- (a): Error correction, (b): Addition/change of specifications, (c): Addition/change of description or note, (d): Addition/change of package, part number, or management division, (e): Addition/change of related documents

(9/10)

Page	Description	Classification
p.859	Modification of table, notes 2 and 3 in 30.3.1 Pin characteristics (1/5)	(c)
p.860	Modification of notes 1 and 3 in 30.3.1 Pin characteristics (2/5)	(c)
p.865	Modification of notes 1 and 4 in 30.3.2 Supply current characteristics (1/3)	(c)
p.866, 867	Modification of table, notes 1, 5, and 6 in 30.3.2 Supply current characteristics (2/3)	(c)
p.868, 869	Modification of table, notes 1, 3, 4, and 5 to 10 in 30.3.2 Supply current characteristics (3/3)	(c)
p.870	Modification of table in 30.4 AC Characteristics	(c)
p.871	Addition of Minimum Instruction Execution Time during Main System Clock Operation	(b)
p.872	Modification of AC Timing Test Points and External System Clock Timing	(c)
p.874	Modification of AC Timing Test Points	(c)
p.874	Modification of description, notes 1 and 2 in (1) During communication at same potential (UART mode)	(b)
p.876	Modification of description, remark 2 in (2) During communication at same potential (CSI mode)	(b)
p.877, 878	Modification of description in (3) During communication at same potential (CSI mode)	(b)
p.880	Modification of description, notes 1 and 3, and remark 3 in (4) Communication at different potential (1.8 V, 2.5 V, 3 V) (UART mode) (1/2)	(b)
p.881, 883	Modification of description, and remark 3 in (4) Communication at different potential (1.8 V, 2.5 V, 3 V) (UART mode) (2/2)	(b)
p.884, 885	Modification of table, and note 1, caution, and remark 3 in (5) Communication at different potential (2.5 V, 3 V) (CSI mode)	(b)
p.886	Modification of table and note in (6) Communication at different potential (1.8 V, 2.5 V, 3 V) (1/3)	(b)
p.887	Modification of table and notes 1 to 3 in (6) Communication at different potential (1.8 V, 2.5 V, 3 V) (2/3)	(b)
p.888, 889	Modification of table, note 3, and remark 3 in (6) Communication at different potential (1.8 V, 2.5 V, 3 V) (3/3)	(b)
p.891	Modification of table in (7) Communication at different potential (1.8 V, 2.5 V, 3 V) (CSI mode) (1/2)	(b)
p.892	Modification of table in (7) Communication at different potential (1.8 V, 2.5 V, 3 V) (CSI mode) (2/2)	(b)
p.894	Addition of (1) I²C standard mode	(b)
p.896	Addition of (2) I²C fast mode	(b)
p.897	Addition of (3) I²C fast mode plus	(b)
p.898	Addition of table in 30.6.1 A/D converter characteristics	(c)
p.898, 890	Modification of description and notes 3 to 5 in 30.6.1 (1)	(c)
p.900	Modification of description, notes 3 and 4 in 30.6.1 (2)	(c)
p.901	Modification of description, notes 3 and 4 in 30.6.1 (3)	(c)
p.902	Modification of description, notes 3 and 4 in 30.6.1 (4)	(c)

Remark "Classification" in the above table classifies revisions as follows.

(a): Error correction, (b): Addition/change of specifications, (c): Addition/change of description or note, (d): Addition/change of package, part number, or management division, (e): Addition/change of related documents

(10/10)

Page	Description	Classification
p.902	Modification of the table in 30.6.2 Temperature sensor/internal reference voltage characteristics	(c)
p.903	Modification of the table and note in 30.6.3 POR circuit characteristics	(c)
p.905	Modification of the table of LVD Detection Voltage of Interrupt & Reset Mode	(c)
p.905	Modification from V_{DD} rise slope to Power supply voltage rising slope in 30.6.5 Supply voltage rise time	(c)
p.910	Modification of description in 30.10 Dedicated Flash Memory Programmer Communication (UART)	(c)
p.911	Modification of the figure in 30.11 Timing Specifications for Switching Flash Memory Programming Modes	(b)
CHAPTER 31 ELECTRICAL SPECIFICATIONS (G: TA = -40 to +105°C)		
p.912 to 961	Addition of products for industrial applications (G: TA = -40 to +105°C)	(b)
CHAPTER 32 PACKAGE DRAWINGS		
p.962 to 968	Addition of product names for industrial applications (G: TA = -40 to +105°C)	(b)

Remark "Classification" in the above table classifies revisions as follows.

- (a): Error correction, (b): Addition/change of specifications, (c): Addition/change of description or note, (d): Addition/change of package, part number, or management division, (e): Addition/change of related documents

A.2 Revision History of Preceding Editions

Here is the revision history of the preceding editions. Chapter indicates the chapter of each edition.

(1/10)

Edition	Description	Chapter
Rev.1.00	Renamed interval timer (unit) to 12-bit interval timer Addition of pin name of the peripheral I/O redirection function Renamed V_{LVI} , V_{LVIH} , V_{LVIL} to V_{LVD} , V_{LVDH} , V_{LVDL} (LVD detection voltage) Renamed interrupt source of RAM parity error (RAMTOP) to RPE	Though out
	Modification from 1.2 Ordering Information to 1.2 List of Part Numbers Addition of Figure 1-1. Part Number, Memory Size, and Package of RL78/L12 Modification of description of INTPO to INTP7 in 1.4 Pin Identification Modification of 1.5 Block Diagram Addition and Modification of description in 1.6 Outline of Functions	CHAPTER 1 OUTLINE
	Modification of 2.1 Port Function Addition of remark to 2.3 Pin I/O Circuits and Recommended Connection of Unused Pins Change of Figure 2-1. Pin I/O Circuit List	CHAPTER 2 PIN FUNCTIONS
	Modification of description in 3.1 Memory Space Modification of Figures 3-1 to 3-3 Addition of remark to Table 3-1. Correspondence Between Address Values and Block Numbers in Flash Memory Modification of description in 3.1.1 (4) On-chip debug security ID setting area Modification of description in 3.1.2 Mirror area Deletion of caution 2 in Figure 3-4. Format of Processor Mode Control Register (PMC) Modification of description and cautions 1, 2 in 3.1.3 Internal data memory space Modification of description in 3.1.6 Data memory addressing Addition of Figures 3-5 to 3-7 Modification of 3.2.1 Control registers, 3.2.2 General-purpose registers, and 3.2.3 ES and CS registers Modification of description in 3.2.4 Special function registers (SFRs) Addition of note 5 to Table 3-5. SFR List (3/4) Modification of description in 3.2.5 Extended special function registers (2nd SFRs: 2nd Special Function Registers) Modification of After Reset of HIOTRM register and notes 1, 2 in Table 3-6. Extended SFR (2nd SFR) List (1/6) Modification of Figures 3-14 to 3-16, 3-18 to 3-41 Modification of [Operand format] in 3.4.1 Implied addressing Modification of [Operand format] in 3.4.3 Direct addressing Modification of [Function] in 3.4.7 Based addressing Modification from [Operand format] to [Description format], modification of [Function] and [Description format], and addition of description in 3.4.9 Stack addressing	CHAPTER 3 CPU ARCHITECTURE

(2/10)

Edition	Description	Chapter		
Rev.1.00	Modification of description in 4.1 Port Functions	CHAPTER 4 PORT FUNCTIONS		
	Addition of caution to 4.3 Registers Controlling Port Function			
	Modification of Figure 4-2. Format of Port Register (64-pin products)			
	Modification of description and addition of caution to 4.3.3 Pull-up resistor option registers (PUxx)			
	Addition of description in 4.3.5 Port output mode registers (POM1)			
	Addition of cautions 1 and 2 to Figure 4-6. Format of Port Mode Control Register			
	Modification of description in 4.3.8 Peripheral I/O redirection register (PIOR)			
	Modification of description in 4.4.1 (2) Input mode and 4.4.3 (2) Input mode			
	Modification of description in 4.4.4 Connecting to external device with different potential (1.8 V, 2.5 V, 3 V)			
	Addition of caution to 4.5 Settings of Port Mode Register, and Output Latch When Using Alternate Function			
	Addition of 4.6.2 Notes on specifying the pin settings			
Rev.1.00	Addition of 5.1 (1) <2> High-speed on-chip oscillator	CHAPTER 5 CLOCK GENERATOR		
	Modification of Figure 5-1. Block Diagram of Clock Generator			
	Modification of cautions 1, 7 and addition of cautions 4 to 6 to Figure 5-2. Format of Clock Operation Mode Control Register (CMC)			
	Deletion of cautions 1 to 4 and addition of cautions 1 to 3 in 5.3.8 High-speed on-chip oscillator frequency select register (HOCODIV)			
	Modification of caution in Figure 5-12. Example of External Circuit of XT1 Oscillator			
	Modification of note 3 in Figure 5-14. Clock Generator Operation When Power Supply Voltage Is Turned On			
	Modification of description of [Option byte setting] in 5.6.1 Example of setting high-speed on-chip oscillator			
	Addition of description to 5.6.2 Example of setting X1 oscillation clock			
	Addition of description to Figure 5-15. CPU Clock Status Transition Diagram			
	Addition of description to Table 5-3. CPU Clock Transition and SFR Register Setting Examples			
	Modification and deletion of description in Table 5-4. Changing CPU Clock			
	Modification of remark 2 to 5.6.6 Time required for switchover of CPU clock and system clock			
	Rev.1.00		Modification of description in 6.1.1 (7) Delay counter	CHAPTER 6 TIMER ARRAY UNIT
			Modification of caution in 6.1.2 (4) Remote control output function	
Modification of Figure 6-2. Internal Block Diagram of Channels 0, 2, 4, 6 of Timer Array Unit 0				
Addition of Figures 6-3 to 6-6				
Modification of Table 6-3. Timer Count Register mn (TCRmn) Read Value in Various Operation Modes				
Modification of description in 6.2.2 Timer data register mn (TDRmn)				
Modification of caution 1 in Figure 6-10. Format of Peripheral Enable Register 0 (PER0)				
Modification of note and remark 2 and addition of caution 2 to Figure 6-11. Format of Timer Clock Select register m (TPSm) (1/2)				

(3/10)

Edition	Description	Chapter
Rev.1.00	Modification of note 1 in Figure 6-12. Format of Timer Mode Register mn (TMRmn)	CHAPTER 6
	Modification of Setting of starting counting and interrupt and addition of note 3 in Figure 6-12. Format of Timer Mode Register mn (TMRmn) (4/4)	TIMER ARRAY UNIT
	Modification of description in Figure 6-16. Format of Timer Channel Stop register m (TTm)	
	Addition of caution to Figure 6-17. Format of Timer Input Select register 0 (TIS0)	
	Modification of description in Figure 6-19. Format of Timer Output Enable register m (TOEm)	
	Modification of description in Table 6-6. Operations from Count Operation Enabled State to Timer count Register mn (TCRmn) Count Start	
	Addition of title and remark to 6.5.3 Operation of counter	
	Modification of description, remark and addition note to Figure 6-30. Start Timing (In Capture Mode : Input Pulse Interval Measurement)	
	Modification of description in 6.6.2 TOMn Pin Output Setting	
	Modification of Figures 6-35 to 6-37	
	Modification of Figures 6-47, 6-51, 6-55, 6-59, 6-63, 6-67 Block Diagram	
	Modification of remark in 6.8.3 Operation as multiple PWM output function	
	Modification of Figure 6-83. Procedure for Setting Remote control Output	
		Modification of 7.4.2 Shifting to HALT/STOP mode after starting operation
	Modification of figure title in Figure 7-23	REAL-TIME CLOCK
	Modification of Figure 8-5. 12-bit Interval Timer Operation Timing (ITMCMP11 to ITMCMP0 = 0FFH, count clock: $f_{SUB} = 32.768$ kHz)	CHAPTER 8 INTERVAL TIMER
	Addition of 9.3.3 Port mode registers 5, 14 (PM5, PM14)	CHAPTER 9
	Addition of 9.5 Cautions of clock output/buzzer output controller	CLOCK OUTPUT/BUZZER OUTPUT CONTROLLER
	Modification of description in 10.1 Functions of Watchdog Timer, 10.4.4 Setting watchdog timer interval interrupt	CHAPTER 10 WATCHDOG TIMER
	Modification of Figure 11-1. Block Diagram of A/D Converter	CHAPTER 11
	Modification of error in 11.2 (9) AV_{REFP} pin	A/D CONVERTER
	Modification of caution 1 in 11.3.1 Peripheral enable register 0 (PER0)	
	Modification of cautions 1 and 3 and addition of caution 2 in 11.3.2 A/D converter mode register 0 (ADM0)	
	Modification of Table 11-1. Settings of ADCS and ADCE Bits	
	Modification of description and addition of note 2 and caution 4 to Figure 11-4. Timing Chart When A/D Voltage Comparator Is Used	
	Modification of Table 11-3. A/D Conversion Time Selection	
	Modification of cautions 1, 2 and addition of caution 3 in 11.3.3 A/D converter mode register 1 (ADM1)	

(4/10)

Edition	Description	Chapter
Rev.1.00	<p>Modification of description and cautions 1 to 3 and addition of note in Figure 11-7. Format of A/D Converter Mode register 2 (ADM2) (1/2)</p> <p>Modification of caution and addition of note and remark in Figure 11-7. Format of A/D Converter Mode register 2 (ADM2) (2/2)</p> <p>Addition of note to 11.3.5 10-bit A/D conversion result register (ADCR), and 11.3.6 8-bit A/D conversion result register (ADCRH)</p> <p>Modification of caution 5 and addition of cautions 9, 10 in 11.3.7 Analog input channel specification register (ADS)</p> <p>Addition of caution to 11.3.10 A/D test register (ADTES)</p> <p>Addition of caution 3 to 11.3.11 A/D port configuration register (ADPC)</p> <p>Addition of caution to 11.3.12 Port mode control registers 1, 4, 12, 14 (PMC1, PMC4, PMC12, PMC14)</p> <p>Modification of description and addition of caution to 11.3.13 Port mode register 1, 4, 12, 14 (PM1, PM4, PM12, PM14)</p> <p>Addition of note 1 to 11.4 A/D Converter Conversion Operations</p> <p>Modification of Figures 11-26 to 11-28, 11-30</p> <p>Modification from 11.7.4 Setup when using temperature sensor (~) to 11.7.4 Setup when temperature sensor output/internal reference voltage output is selected (~)</p> <p>Modification from Figure 11-29. Setup When Using Temperature Sensor to Figure 11-29. Setup when temperature sensor output/internal reference voltage output is selected</p> <p>Modification of description in 11.8 SNOOZE Mode Function</p> <p>Addition of caution to 11.10 (2) Input range of ANI0 to ANI14 and ANI16 to ANI26 pins</p> <p>Modification of value in Table 11-6. Resistance and Capacitance Values of Equivalent Circuit (Reference Values)</p>	CHAPTER 11 A/D CONVERTER
Rev.1.00	<p>Modification of description and addition of note 1 to 12.1.1 3-wire serial I/O (CSI00, CSI01)</p> <p>Modification of description in Figure 12-6. Format of Serial Communication Operation Setting Register mn (SCRmn)</p> <p>Modification of note to Figure 12-10. Format of Serial Channel Start Register m (SSm)</p> <p>Modification of note to Figure 12-11. Format of Serial Channel Stop Register m (STm)</p> <p>Modification of Figure 12-14. Format of Serial Output Register m (SOM)</p> <p>Modification of description in Figure 12-16. Format of Serial Standby Control Register m (SSCm)</p> <p>Modification of description in 12.3.18 Port output mode register 1 (POM1)</p> <p>Addition of description to 12.3.19 Port mode register 1 (PM1)</p> <p>Modification of note 1 in 12.5 Operation of 3-Wire Serial I/O (CSI00, CSI01) Communication</p> <p>Modification of description in 12.5.1 Master transmission</p> <p>Modification of description in Figure 12-25 to 27, 33 to 35, 41 to 43, 49 to 51, 57 to 59, 63 to 65, 76 to 78, 84 to 86 (operation procedure)</p> <p>Modification of Figure 12-28, 30, 38, 44, 46, 52, 54, 60, 66, 68 (timing chart)</p> <p>Modification of description in 12.5.2 Master reception</p>	CHAPTER 12 SERIAL ARRAY UNIT

(5/10)

Edition	Description	Chapter
Rev.1.00	Modification of description in 12.5.3 Master transmission/reception	CHAPTER 12 SERIAL ARRAY UNIT
	Modification of note to 12.5.4 Slave transmission, 12.5.5 Slave reception, 12.5.6 Slave transmission/reception	
	Modification of description in 12.5.7 SNOOZE mode function	
	Modification of caution in Figures 12-70 and 12-72	
	Modification of description in 12.6.1 UART transmission and 12.6.2 UART reception	
	Modification of Figure 12-80, 82 (flow chart)	
	Modification of Figure 12-83 (Example of Contents of Registers).	
	Modification of Figure 12-88. Flowchart of UART Reception	
	Addition of description in 12.6.3 SNOOZE mode function	
	Modification of note and caution in Figure 12-89. Timing Chart of SNOOZE Mode Operation (Normal operation mode)	
	Modification of caution in Figure 12-90. Timing Chart of SNOOZE Mode Operation (Abnormal Operation <1>)	
	Modification of Figure 12-91. Flowchart of SNOOZE Mode Operation (Normal Operation/Abnormal Operation <1>)	
	Modification of Figure 12-93. Flowchart of SNOOZE Mode Operation (Abnormal Operation <2>)	
	Modification of description and note in 12.7.1 LIN transmission and 12.7.2 LIN reception	
	Modification of Figure 12-97. Master Transmission Operation of LIN	
	Modification of Figure 12-98. Flowchart for LIN Transmission	
	Modification of Figure 12-99. Reception Operation of LIN	
	Modification of Figure 12-100. Flowchart for LIN Reception	
Modification of Figure 13-9. Format of IICA Control Register n1 (IICCTLn1) (2/2)		
Modification of 13.5.13 Wakeup function		
Modification of 13.5.17 (2) (d) Start ~ Address ~ Data ~ Start ~ Address ~ Data ~ Stop		
Modification of 13.5.17 (3) (d) Start ~ Code ~ Data ~ Start ~ Address ~ Data ~ Stop		
Modification of Figure 13-9. Format of IICA Control Register n1 (IICCTLn1) (2/2)		
Modification of 13.5.13 Wakeup function		
Modification of 13.5.17 (2) (d) Start ~ Address ~ Data ~ Start ~ Address ~ Data ~ Stop		
Modification of 13.5.17 (3) (d) Start ~ Code ~ Data ~ Start ~ Address ~ Data ~ Stop	CHAPTER 14 LCD CONTROLLER/DRIVER	
Modification of Table 14-1. Number of LCD Display Function Pins of Each Product		
Modification of Table 14-4. Combinations of Display Waveform, Time Slices, and Bias Method		
Addition of notes 1, 3 to Figure 14-4. Format of LCD Mode Register 1 (LCDM1) (1/2)		
Modification of note and caution 1 in Figure 14-4. Format of LCD Mode Register 1 (LCDM1) (2/2)		

(6/10)

Edition	Description	Chapter
Rev.1.00	Modification of cautions 1, 3 in Figure 14-5. Format of Operation Speed Mode Control Register (OSMC)	CHAPTER 14 LCD CONTROLLER/DRIVER
	Modification of description and cautions 2, 4 in Figure 14-6. Format of LCD Clock Control Register 0 (LCDC0) (1/2)	
	Modification of description and cautions 2, 3 in Figure 14-6. Format of LCD Clock Control Register 0 (LCDC0) (2/2)	
	Modification of Table 14-5. Output Setting of COM4/COMEXP/SEG0, COM5/SEG1, COM6/SEG2, and COM7/SEG3 Pins	
	Modification of caution 1 in Figure 14-23. Operation Stop Procedure	
	Modification of caution in Figure 14-24. Examples of LCD Drive Power Connections (External Resistance Division Method)	
	Modification of Figure 14-25. Examples of LCD Drive Power Connections (Internal Voltage Boosting Method)	
	Modification of Figure 14-26. Examples of LCD Drive Power Connections (Capacitor Split Method)	
	Modification of Figure 14-31. Static LCD Drive Waveform Examples for SEG11, SEG12, and COM0	
	Addition of remark to Figure 14-45. LCD Drive Waveform Examples of Memory-Type Liquid Crystal Waveform (3-Time-Slice, 1/3 Bias Method)	
	Modification of Figure 15-1. Block Diagram of Multiplier and Divider/Multiply-Accumulator	CHAPTER 15 MULTIPLIER AND DIVIDER/MULTIPLY- ACCUMULATOR
	Modification of Table 15-2. Functions of MDAH and MDAL Registers During Operation Execution	
	Modification of caution 1 to 15.2.2 Multiplication/division data register B (MDBL, MDBH) and Table 15-3. Functions of MDBH and MDBL Registers During Operation Execution	
	Modification of caution 2 to 15.2.3 Multiplication/division data register C (MDCL, MDCH) and Table 15-4. Functions of MDCH and MDCL Registers During Operation Execution	
	Modification of description in Figure 15-5. Format of Multiplication/Division Control Register (MDUC)	
	Modification of description in 15.4.1 Multiplication (unsigned) operation , and modification of value in Figure 15-6. Timing Diagram of Multiplication (Unsigned) Operation ($2 \times 3 = 6$)	
	Modification of description in 15.4.2 Multiplication (signed) operation , and modification of value in Figure 15-7. Timing Diagram of Multiplication (Signed) Operation ($-2 \times 32767 = -65534$)	
	Modification of description in 15.4.3 Multiply-accumulation (unsigned) operation	
	Modification of value in Figure 15-8. Timing Diagram of Multiply-Accumulation (Unsigned) Operation	
	Addition of description to 15.4.4 Multiply-accumulation (signed) operation	
	Modification of value in Figure 15-9. Timing Diagram of Multiply-Accumulation (signed) Operation	
	Modification of description in 15.4.5 Division operation	
	Modification of value in Figure 15-10. Timing Diagram of Division Operation (Example: $35 \div 6 = 5$, Remainder 5)	

(7/10)

Edition	Description	Chapter
Rev.1.00	Addition of description	CHAPTER 17
	Deletion of caution 2 in Figure 17-2. Format of Interrupt Request Flag Registers (IF0L, IF0H, IF1L, IF1H, IF2L) (64-pin)	INTERRUPT FUNCTION
	Modification of Figure 17-8. Interrupt Request Acknowledgment Timing (Minimum Time) and Figure 17-9. Interrupt Request Acknowledgment Timing (Maximum Time)	
	Modification of Table 17-5. Relationship Between Interrupt Requests Enabled for Multiple Interrupt Servicing During Interrupt Servicing	
	Deletion of caution in 17.4.4 Interrupt request hold	
	Modification of all	CHAPTER 18 KEY INTERRUPT FUNCTION
	Modification caution 1 in 19.1.1 Standby function	CHAPTER 19
	Modification of Table 19-1. Operating Statuses in HALT Mode	STANDBY FUNCTION
	Addition of note 1 in Figure 19-3. HALT Mode Release by Interrupt Request Generation	
	Modification of description in Figure 19-4. HALT Mode Release by Reset	
	Modification of caution 1 in 19.3.2 (1) STOP mode setting and operating statuses	
	Modification of description and deletion of caution 1 in Table 19-2. Operating Statuses in STOP Mode	
	Modification of description in Figure 19-5. STOP Mode Release by Interrupt Request Generation	
	Modification of description in Figure 19-6. STOP Mode Release by Reset	
	Modification of description in 19.3.3 (1) SNOOZE mode setting and operating statuses	
	Modification of description in Table 19-3. Operating Statuses in SNOOZE Mode	
	Modification of caution 3 in CHAPTER 20 RESET FUNCTION	CHAPTER 20
	Modification of description in Figure 20-2	RESET FUNCTION
	Modification and addition of caution 2 to Figure 20-3	
	Deletion of Figure 20-4	
	Modification of port (latch) in Table 20-1. Operation Statuses During Reset Period	
	Modification of description of high-speed on-chip oscillator trimming register (HIOTRM) and note 2 in Table 20-2. Hardware Statuses After Reset Acknowledgment	
	Modification of note 2 in Table 20-2. Hardware Statuses After Reset Acknowledgment (4/4)	
	Modification of caution 2 in Figure 20-5. Format of Reset Control Flag Register (RESF)	
	Modification of description in 21.1 Functions of Power-on-reset Circuit	CHAPTER 21
	Modification of description in 21.3 Operation of Power-on-reset Circuit	POWER-ON-RESET CIRCUIT
	Modification of description and notes in Figure 21-2. Timing of Generation of Internal Reset Signal by Power-on-reset Circuit and Voltage Detector	

(8/10)

Edition	Description	Chapter
Rev.1.00	Modification of Figure 22-1. Block Diagram of Voltage Detector	CHAPTER 22
	Modification of notes 1, 3 in Figure 22-2. Format of Voltage Detection Register (LVIM)	VOLTAGE
	Addition of Table 22-1. LVD Operation Mode and Detection Voltage Settings for User Option Byte (000C1H)	DETECTOR
	Modification of 22.4.1 When used as reset mode	
	Modification of 22.4.2 When used as interrupt mode	
	Modification of description in 22.4.3 When used as interrupt and reset mode	
	Modification of figure 22-6 (1/2)	
	Modification of figure 22-6 (2/2)	
	Modification of remark in 23.1 Overview of Safety Functions	CHAPTER 23
	Addition of description and caution 2 to 23.3.1 Flash memory CRC operation function (high-speed CRC)	SAFETY
	Modification of Figure 23-3. Flowchart of Flash Memory CRC Operation Function (High-speed CRC)	FUNCTIONS
	Addition of description and caution to 23.3.2 CRC operation function (general-purpose CRC)	
	Modification of Figure 23-6. CRC Operation Function (General-Purpose CRC)	
	Modification of caution in Figure 23-7. Format of RAM Parity Error Control Register (RPECTL)	
	Modification of Figure 23-10. Invalid access detection area	
	Addition of description to 23.3.8 A/D test function	
	Addition of Figure (move from 2.2 Description to Pin Function (preceding editions))	CHAPTER 24 REGULATOR
	Modification of description in 25.1 Functions of Option Bytes	CHAPTER 25
	Modification of description in Figure 25-1. Format of User Option Byte (000C0H)	OPTION BYTE
	Modification of Figure 25-2. Format of User Option Byte (000C1H)	
	Deletion of description in 26.1.1 Programming Environment	CHAPTER 26
	Addition of description to 26.2 Writing to Flash Memory by Using External Device (that Incorporates UART)	FLASH MEMORY
	Addition of remark to 26.3 Connection of Pins on Board	
	Addition of description, caution and remark to 26.4.1 Data flash overview	
	Modification of Figure 26-8. Setting of Flash Memory Programming Mode	
	Modification of error in Table 26-4. Relationship Between TOOL0 Pin and Operation Mode After Reset Release	
	Modification of Table 26-5. Programming Modes and Voltages at Which Data Can Be Written, Erased, or Verified	
	Modification of description in Table 26-10. Example of Signature Data	
	Addition of description and caution to 26.6 Security Settings	
	Modification of Table 26-11. Relationship Between Enabling Security Function and Command and Table 26-12. Setting Security in Each Programming Mode	
	Modification of cautions 2 to 4 to 26.7 Flash Memory Programming by Self-Programming	
	Modification of Table 26-13. Programming Modes and Voltages at Which Data Can Be Written, Erased, or Verified	
	Modification of Table 26-14. Relationship between Flash Shield Window Function Setting/Change Methods and Commands	

(9/10)

Edition	Description	Chapter
Rev.1.00	Modification of error in Table 29-5. Operation List (10/17)	CHAPTER 29 INSTRUCTION SET
	Addition of cautions 2, 3 to CHAPTER 30 ELECTRICAL SPECIFICATIONS (deletion of Pins Mounted According to Product)	CHAPTER 30 ELECTRICAL SPECIFICATIONS
	Addition of description, note 3 , and remark 2 to 30.1 Absolute Maximum Ratings	
	Modification of description and addition of note to 30.1 Absolute Maximum Ratings	
	Modification of 30.2 Oscillator Characteristics	
	Modification of 30.3.1 Pin characteristics	
	Modification of notes 1 to 4 in 30.3.2 Supply current characteristics	
	Modification of notes 1, 3 to 6, 8 to 30.3.2 Supply current characteristics	
	Addition of description to 30.4 AC Characteristics	
	Modification of 30.5.1 Serial array unit	
	Modification of 30.5.2 Serial interface IICA	
	Modification of 30.6.2 Temperature sensor/internal reference voltage characteristics	
	Addition of note and caution in 30.6.5 Supply voltage rise time	
	Modification of 30.8 Data Memory STOP Mode Low Supply Voltage Data Retention Characteristics	
	Modification of conditions in 30.9 Timing Specs for Switching Flash Memory Programming Modes	
	Modification of 30.10 Timing Specifications for Switching Flash Memory Programming Modes	

(10/10)

Edition	Description	Chapter
Ver.0.03	Modification of caution 2 in 1.3.5 64-pin products	CHAPTER 1
	Modification of I/O port in 1.6 Outline of Functions	OUTLINE
	Modification of Function in 2.1.5 64-pin products	CHAPTER 2
	Modification of description in 2.2 Description of Pin Functions	PIN FUNCTIONS
	Modification of 2.2.6 (1) Port mode	
	Modification of Table 2-3. Connection of Unused Pins (64-pin products)	
	Modification of Figure 2-1. Pin I/O Circuit List	
	Modification of Table 3-5. SFR List	CHAPTER 3 CPU ARCHITECTURE
	Modification of 4.3 (5) Port output mode register (POM1)	CHAPTER 4 PORT FUNCTIONS
	Modification of 4.4.4 Connecting to external device with different potential (1.8 V, 2.5 V, 3 V)	
	Addition of cautions 6, 7 to Figure 6-79. Procedure for Setting Remote control Output	CHAPTER 6 TIMER ARRAY UNIT
	Modification of Figure 12-14. Format of Serial Output Register m (SOM)	CHAPTER 12
	Modification of Figure 12-20. Format of Port Output Mode Register 1 (POM1)	SERIAL ARRAY UNIT
	Modification of 14.1 Functions of LCD Controller/Driver	CHAPTER 14 LCD CONTROLLER/DRIVER
	Modification of Figure 14-6. Format of LCD Clock Control Register 0 (LDC0)	
	Modification of Figure 14-8. Format of LCD Boost Level Control Register (VLCD)	
	Modification of Figure 14-41. Four-Time-Slice LCD Drive Waveform Examples Between SEG12 and Each Common Signals (1/3 Bias Method)	
	Modification of Figure 14-44. Eight-Time-Slice LCD Drive Waveform Examples Between SEG4 and Each Common Signals (1/4 Bias Method)	
	Modification of throughout the document	CHAPTER 18 KEY INTERRUPT FUNCTION
	Modification of 21.3 Operation of Power-on-reset Circuit	CHAPTER 21 POWER-ON-RESET CIRCUIT
Modification of throughout the document	CHAPTER 30 ELECTRICAL SPECIFICATIONS	
Package drawings are updated.	CHAPTER 31 PACKAGE DRAWINGS	

RL78/L12 User's Manual: Hardware

Publication Date: Rev.2.00 Dec 13, 2013

Published by: Renesas Electronics Corporation

**SALES OFFICES****Renesas Electronics Corporation**<http://www.renesas.com>Refer to "<http://www.renesas.com/>" for the latest and detailed information.**Renesas Electronics America Inc.**2880 Scott Boulevard Santa Clara, CA 95050-2554, U.S.A.
Tel: +1-408-588-6000, Fax: +1-408-588-6130**Renesas Electronics Canada Limited**1101 Nicholson Road, Newmarket, Ontario L3Y 9C3, Canada
Tel: +1-905-898-5441, Fax: +1-905-898-3220**Renesas Electronics Europe Limited**Dukes Meadow, Millboard Road, Bourne End, Buckinghamshire, SL8 5FH, U.K
Tel: +44-1628-651-700, Fax: +44-1628-651-804**Renesas Electronics Europe GmbH**Arcadiastrasse 10, 40472 Düsseldorf, Germany
Tel: +49-211-65030, Fax: +49-211-6503-1327**Renesas Electronics (China) Co., Ltd.**7th Floor, Quantum Plaza, No.27 ZhiChunLu Haidian District, Beijing 100083, P.R.China
Tel: +86-10-8235-1155, Fax: +86-10-8235-7679**Renesas Electronics (Shanghai) Co., Ltd.**Unit 301, Tower A, Central Towers, 555 LanGao Rd., Putuo District, Shanghai, China
Tel: +86-21-2226-0888, Fax: +86-21-2226-0999**Renesas Electronics Hong Kong Limited**Unit 1601-1613, 16/F., Tower 2, Grand Century Place, 193 Prince Edward Road West, Mongkok, Kowloon, Hong Kong
Tel: +852-2886-9318, Fax: +852 2886-9022/9044**Renesas Electronics Taiwan Co., Ltd.**13F, No. 363, Fu Shing North Road, Taipei, Taiwan
Tel: +886-2-8175-9600, Fax: +886 2-8175-9670**Renesas Electronics Singapore Pte. Ltd.**80 Bendemeer Road, Unit #06-02 Hyflux Innovation Centre Singapore 339949
Tel: +65-6213-0200, Fax: +65-6213-0300**Renesas Electronics Malaysia Sdn.Bhd.**Unit 906, Block B, Menara Amcorp, Amcorp Trade Centre, No. 18, Jln Persiaran Barat, 46050 Petaling Jaya, Selangor Darul Ehsan, Malaysia
Tel: +60-3-7955-9390, Fax: +60-3-7955-9510**Renesas Electronics Korea Co., Ltd.**12F., 234 Teheran-ro, Gangnam-Gu, Seoul, 135-080, Korea
Tel: +82-2-558-3737, Fax: +82-2-558-5141

RL78/L12